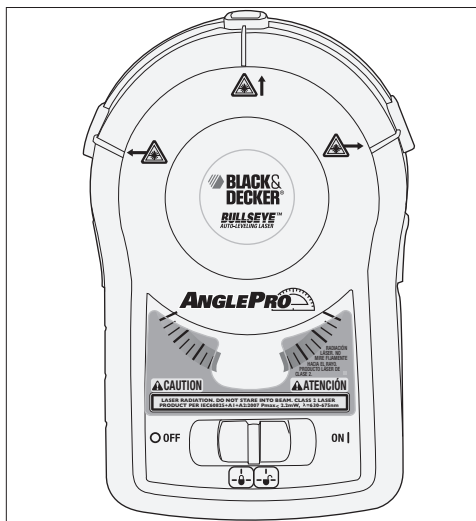


BLACK & DECKER®

Auto-Leveling Laser With Built In Protractor

INSTRUCTION MANUAL

Catalog No. BDL170



THANK YOU FOR CHOOSING BLACK & DECKER!
GO TO WWW.BLACKANDDECKER.COM/NEWOWNER
TO REGISTER YOUR NEW PRODUCT.

**BEFORE RETURNING THIS PRODUCT
FOR ANY REASON PLEASE CALL
1-800-544-6986**

BEFORE YOU CALL, HAVE THE CATALOG No. AND DATE CODE AVAILABLE. IN MOST CASES, A
BLACK & DECKER REPRESENTATIVE CAN RESOLVE THE PROBLEM OVER THE PHONE. IF YOU HAVE
A SUGGESTION OR COMMENT, GIVE US A CALL. YOUR FEEDBACK IS VITAL TO BLACK & DECKER.

SAVE THIS MANUAL FOR FUTURE REFERENCE.

VEA EL ESPAÑOL EN LA CONTRAPORTADA.

INSTRUCTIVO DE OPERACIÓN, CENTROS DE SERVICIO Y PÓLIZA DE GARANTÍA.
ADVERTENCIA: LEÁSE ESTE INSTRUCTIVO ANTES DE USAR EL PRODUCTO.

Download from www.Somanuals.com. All Manuals Search And Download.

⚠ WARNING: Read and understand all instructions. Failure to follow all instructions listed below may result in electric shock, fire and/or serious personal injury.

SAVE THESE INSTRUCTIONS

Safety Instructions

⚠ DANGER: Laser Radiation, avoid direct eye exposure, serious eye injury can result.

- Do not use optical tools such as a telescope or transit to view the laser beam.
- Position the laser so unintentional eye contact will be avoided.
- Do not operate the laser around children or allow children to operate the laser.
- Do not disassemble. Modifying the product in any way can increase the risk of laser radiation.

⚠ WARNING: Use of controls or adjustments or performance of procedures other than those specified in this manual may result in hazardous laser radiation exposure.

- Do not operate in explosive atmospheres, such as in the presence of flammable liquids, gases, or dust.
 - Use only with the specifically designated batteries. Use of any other batteries may create a risk of fire.
 - Store idle product out of reach of children and other untrained persons. Lasers are dangerous in the hands of untrained users.
 - Use only accessories that are recommended by the manufacturer for your model. Accessories that may be suitable for one laser, may create a risk of injury when used on another laser.
 - Repairs and servicing **MUST** be performed by a qualified repair facility. Repairs performed by unqualified personnel could result in serious injury.
 - Do not remove or deface warning labels. Removing labels increases the risk of exposure to radiation.
 - For indoor use only.
 - This product is intended for use in a temperature range of 41°F(5°C) - 104°F(40°C).
- ⚠ CAUTION: Use caution when drilling, nailing or cutting into walls, floors and ceilings which may contain electrical wiring or pipes. Always turn off the power when working near electrical wires.**

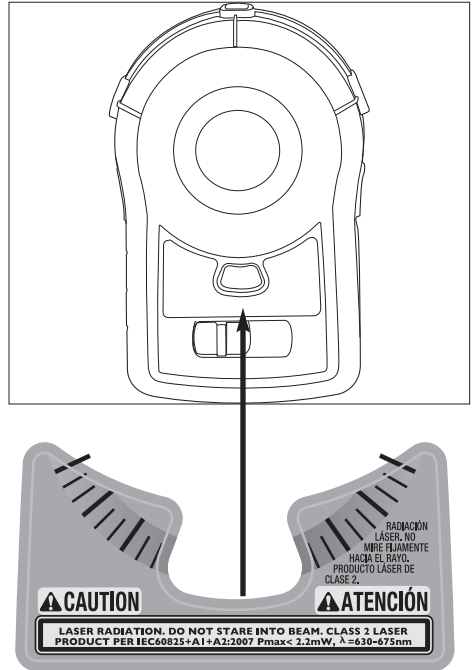
⚠ CAUTION: Use of controls or adjustments or performance of procedures other than those specified in this manual

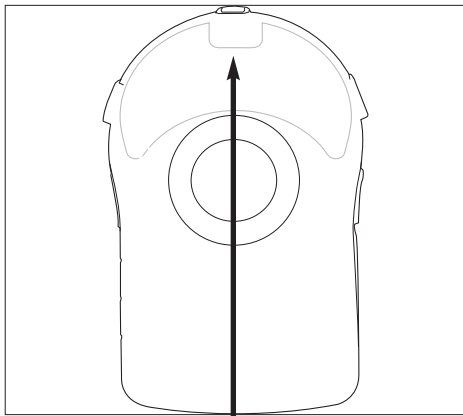
may result in hazardous laser radiation exposure.

The label on your tool may include the following symbols.

- Vvolts
- mWmilliwatts
- nm.....wavelength in nanometers
- Class 2Class 2 Laser

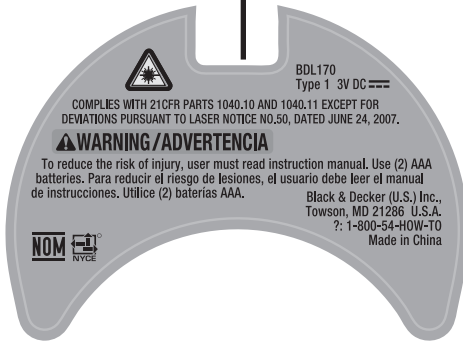
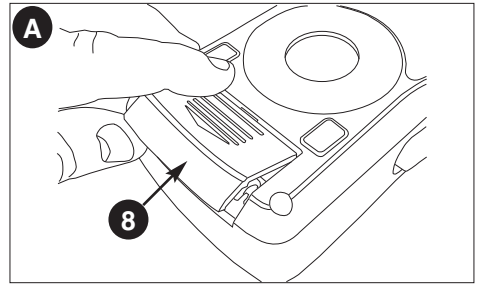
For your convenience and safety, the following labels are on your laser.





Installing the Batteries - figure A

- Ensure laser on/off actuator (1) is in the full off position by sliding the actuator to the left "OFF" position.
- Open the battery compartment cover (8) located on the back of the unit. Insert 2 fresh 1.5 volt AAA batteries making sure to match (+) and (-) terminals correctly. Close battery compartment cover and click into place.



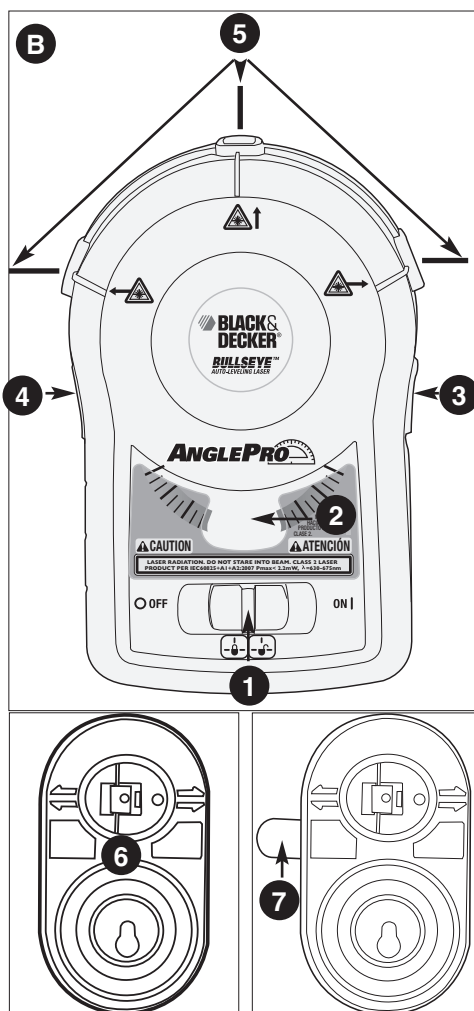
WARNING: Batteries can explode, or leak, and can cause injury or fire. To reduce this risk:

- Carefully follow all instructions and warnings on the battery label and package.
- Always insert batteries correctly with regard to polarity (+ and -), marked on the battery and the equipment.
- Do not short battery terminals.
- Do not charge batteries.
- Do not mix old and new batteries. Replace all of them at the same time with new batteries of the same brand and type.
- Remove dead batteries immediately and dispose of per local codes.
- Do not dispose of batteries in fire.
- Keep batteries out of reach of children.
- Remove batteries if the device will not be used for several months.

“Transporting batteries can possibly cause fires if the battery terminals inadvertently come in contact with conductive materials such as keys, coins, hand tools and the like. The US Department of Transportation Hazardous Material Regulations (HMR) actually prohibit transporting batteries in commerce or on airplanes (i.e. packed in suitcases and carryon luggage) UNLESS they are properly protected from short circuits. So when transporting individual batteries, make sure that the battery terminals are protected and well insulated from materials that could contact them and cause a short circuit.”

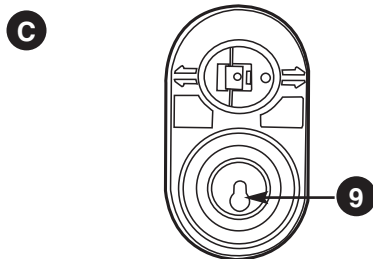
Features - figure B

- 1.) On / Off Actuator
- 2.) Protractor
- 3.) Laser Direction Button - (Left Projection)
- 4.) Laser Direction Button - (Right Projection)
- 5.) Self-Leveling Laser Lines
- 6.) Wall Mounting Attachment -(drywall pin and keyhole)
- 7.) Self Adhesive Strip



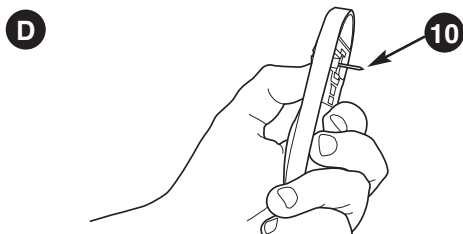
Hanging on a wall using a screw -figure C

- The laser unit can be hung on a wall with a screw, using the keyhole opening (9) in the wall mounting attachment.
- Place the keyhole opening over the head of the screw and make sure that the attachment is seated into the narrow opening of the keyhole.
 - Tighten the screw.
 - Align the circular pocket on the back of the laser with the magnetic circle on the front of the wall attachment.
 - Make sure that the unit is seated firmly, and is secure on the wall.



Hanging on drywall surfaces only - figure D

- The laser unit can be hung on drywall, using the drywall pin (10) in the wall mounting attachment.
- To press pin into drywall, first expose pin by rotating pin base from opposite side (fig D).



- While maintaining pressure on pin base, insert pin straight and seat firmly against drywall surface.
- The drywall pin should always be pushed in by hand and never driven by a hammer.
- To remove drywall pin from the wall, pull out straight.
- Align the circular pocket on the back of the laser with the magnetic circle on the front of the wall attachment.
- Make sure that the unit is seated firmly, and is secure on the wall.

⚠ CAUTION: Pin is sharp and should be handled with care. Always be sure drywall pin is closed when not in use.
NOTE: The pin is only for use on drywall NOT other surfaces including plaster.

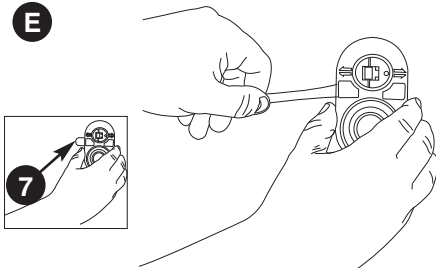
Hanging on a wall using removable adhesive strip - figure E

NOTE: Black & Decker suggests the use of 3M® Command® Strips.

The laser unit can be hung on a wall using a removable adhesive strip (7) that is attached to the back of the wall mounting attachment.

NOTE:

- 1.) The wall should be clean and dry to use the adhesive strip.
 - 2.) Adhesive strip can be used on drywall, plaster and wood.
 - 3.) Adhesive strip cannot be used on some types of wallpaper.
- Remove liner paper from one side of adhesive strip (7) and apply strip to back of wall mounting attachment (6).
 - Remove liner paper from other side of adhesive strip and press attachment firmly onto wall.
 - Align the circular pocket on the back of the laser with the magnetic circle on the front of the wall attachment.
 - Make sure that the unit is seated firmly, and is secure on the wall.
 - To remove from wall, first remove the laser unit from the wall mounting attachment. Then, holding the wall attachment with one hand, slowly stretch the adhesive strip straight along the wall away from the wall mounting attachment until it releases from the wall (**figure E**). Do not pull strip at an angle.

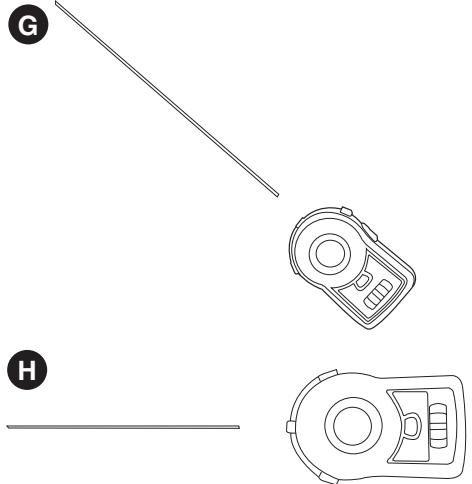


- Slide the actuator all the way to the right to activate the self leveling mode.
- Slide the actuator all the way to the left to turn the laser off.

Protractor Mode

The internal protractor (2) (figure f) of the BDL170 can be used to:

- Transfer an angle
- Apply an angle (Example : transfer stair angle to align pictures on stairs wall)



Using the Protractor - figure G, H

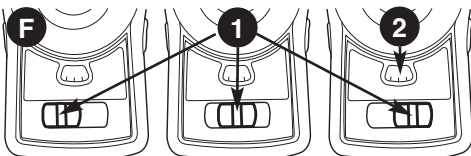
- Hang the laser on the wall surface using one of the 3 different hanging modes or hand hold it on the wall.
- Slide the on/off actuator (1) to the middle position.
- The laser will come on and project a laser line.
- It will be locked in one position.
- The protractor (2) back light will come on.
- The protractor window will show an angle relative to vertical.
- The unit can be spun around 360 degrees, and the angle reading can be taken from the window.
- The angle can then be transferred to another work area.
- Although the laser direction can be changed from vertical to left or right in "Protractor Mode", for best results, it should be set to the vertical position.

Operating Instructions

⚠ DANGER: Laser Radiation, avoid direct eye exposure.

On/Off Actuator - figure F

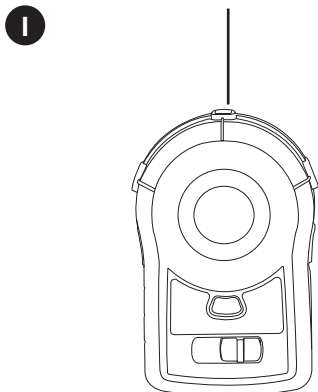
- Slide the ON/OFF actuator (1) to the middle position shown in figure F to turn the laser on in a locked position.



Auto Leveling Mode - figure I, J, K, L, M

To activate the Self Leveling Mode, slide the ON/ OFF actuator (1) all the way to the right.

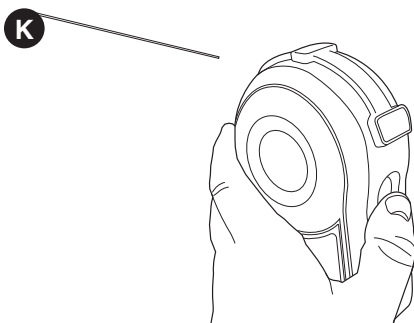
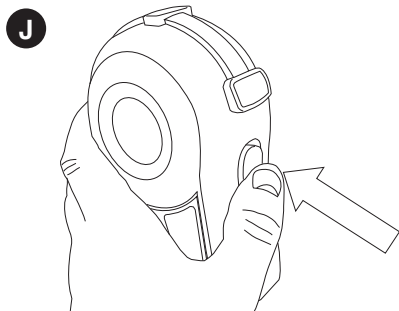
- The protractor window backlight will go out.
- The laser will project a “plumb” line vertically. (fig. I)



Directing the Laser Line - figure J,K,L

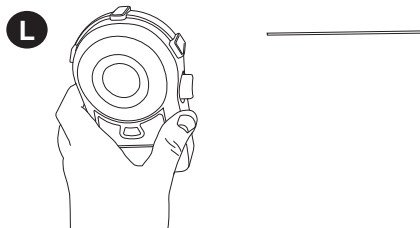
The laser can be projected level to the left, plumb (straight up) and level to the right.

- The buttons on the sides (3 & 4) are used to change the direction of the laser line.
- To change the direction, push the button in the direction you want the laser to go.



- In figure K the button is fully depressed, and a level laser line is directed out the left side of the unit.

- Press button the other way, and the laser line directs out the right side of the unit.



- With the button pushed back to center, the laser line is projected vertically.

Storage

Always store the laser indoors with the ON/OFF actuator (1) in the “OFF” position.

Maintenance

Use only mild soap and damp cloth to clean the tool. Never let any liquid get inside the tool; never immerse any part of the tool into a liquid.

IMPORTANT: To assure product SAFETY and RELIABILITY, repairs, maintenance and adjustment (other than those listed in this manual) should be performed by authorized service centers or other qualified service personnel, always using identical replacement parts.

Accessories

Recommended accessories for use with your tool are available from your local dealer or authorized service center. If you need assistance regarding accessories, please call:

1-800-54-HOW-TO (544-6986).

⚠ WARNING: The use of any accessory not recommended for use with this tool could be hazardous.

Service Information

All Black & Decker Service Centers are staffed with trained personnel to provide customers with efficient and reliable power tool service. Whether you need technical advice, repair, or genuine factory replacement parts, contact the Black &

Decker location nearest you. To find your local service location, refer to the yellow page directory under "Tools—Electric" or call: **1-800-544-6986** or visit www.blackanddecker.com

Full Two-Year Home Use Warranty

Black & Decker (U.S.) Inc. warrants this product for two years against any defects in material or workmanship. The defective product will be replaced or repaired at no charge in either of two ways.

The first, which will result in exchanges only, is to return the product to the retailer from whom it was purchased (provided that the store is a participating retailer). Returns should be made within the time period of the retailer's policy for exchanges (usually 30 to 90 days after the sale). Proof of purchase may be required. Please check with the retailer for their specific return policy regarding returns that are beyond the time set for exchanges.

The second option is to take or send the product (prepaid) to a Black & Decker owned or authorized Service Center for repair or replacement at our option. Proof of purchase may be required. Black & Decker owned and authorized Service Centers are listed under "Tools-Electric" in the yellow pages of the phone directory and on our website www.blackanddecker.com.

This warranty does not apply to accessories. This warranty gives you specific legal rights and you may have other rights which vary from state to state. Should you have any questions, contact the manager of your nearest Black & Decker Service Center. This product is not intended for commercial use.

FREE WARNING LABEL

REPLACEMENT: If your warning labels become illegible or are missing, call **1-800-544-6986** for a free replacement.

TROUBLESHOOTING

Problem	Possible Cause	Solution
<ul style="list-style-type: none"> Laser does not project on wall. 	<ul style="list-style-type: none"> Weak batteries. The self leveling range of the unit is +/-5 degrees, if the unit is not held within 5 degrees of vertical, the laser lines will not project on wall. 	<ul style="list-style-type: none"> Replace with fresh batteries. Be sure that the unit is as straight up and down as possible.
<ul style="list-style-type: none"> Laser projects on wall but lines are not level. 	<ul style="list-style-type: none"> Wall on which the unit is mounted or held must be within +/- 5 degrees of vertical for the self leveling mechanism to function correctly. If this is exceeded, the lines will still project but may not be level. The laser on/off switch must be pushed to the full on position. 	<ul style="list-style-type: none"> Use the unit against vertical walls only, lines will not be level on sloped walls or other non-vertical surfaces. Be sure laser on/off switch is in the full on position.

TECHNICAL SPECIFICATIONS

Laser Diode Wavelength:	650 ± 5 nm (red color)
Laser Class:	Class 2
Working Range:	Up to 20 feet (609 cm) (depends on light conditions)
Leveling Accuracy:	±1/8 inch (3 mm) @ 10 feet (3 m)
Auto Leveling Range:	±5°
Auto Leveling Lines Settling Time:	<5 sec
Batteries:	2 AAA batteries (included)
Voltage:	3.0 Volt
Operating Temperature:	41°F (5°C) - 104° F (40°C)

Imported by
Black & Decker (U.S.) Inc.,
701 E. Joppa Rd.
Towson, MD 21286 U.S.A.



BlackandDecker.com
1-800-544-6986

See "Tools-Electric"
– Yellow Pages –
for Service & Sales

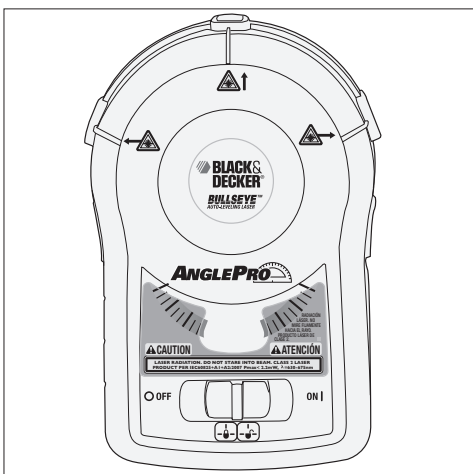


BLACK & DECKER®

Laser avec mise à niveau automatique avec rapporteur d'angle intégré

MODE D'EMPLOI

N° de catalogue BDL170



MERCI D'AVOIR CHOISI BLACK & DECKER !
VISITEZ WWW.BLACKANDDECKER.COM/NEWOWNER
POUR ENREGISTRER VOTRE NOUVEAU PRODUIT.

**AVANT DE RETOURNER CE PRODUIT POUR QUELQUE
RAISON QUE CE SOIT, COMPOSER LE**

1-800-544-6986

AVANT D'APPELER, AYEZ EN MAIN LE N° DE CATALOGUE ET LE CODE DE DATE. DANS LA PLUPART
DES CAS, UN REPRÉSENTANT DE BLACK & DECKER PEUT RÉSOUDRE LE PROBLÈME PAR
TÉLÉPHONE. SI VOUS AVEZ UNE SUGGESTION OU UN COMMENTAIRE, APPELEZ-NOUS. VOS
IMPRESSIONS SONT CRUCIALES POUR BLACK & DECKER.

CONSERVER CE MANUEL POUR UN USAGE ULTÉRIEUR.

⚠ AVERTISSEMENT : lire et comprendre toutes les directives. Le non-respect des directives indiquées ci-dessous peut entraîner des risques de choc électrique, d'incendie ou de blessures graves.

CONSERVER CES DIRECTIVES

Directives de sécurité

⚠ DANGER : rayonnement laser; éviter tout contact direct avec les yeux. Une telle pratique peut entraîner des blessures graves aux yeux.

- Ne pas utiliser d'instruments optiques comme un télescope ou un théodolite pour observer le faisceau laser.
- Positionner le laser de sorte à éviter tout contact accidentel avec les yeux.
- Ne pas utiliser le laser près des enfants et ne pas laisser les enfants utiliser le laser.
- Ne pas démonter l'appareil. Toute modification du produit peut accroître le risque de rayonnement laser.

⚠ AVERTISSEMENT : l'utilisation de commandes ou de réglages ou l'exécution de procédures autres que celles précisées dans la présente peut entraîner une exposition dangereuse au rayonnement laser.

- Ne pas faire fonctionner l'outil dans un environnement explosif, soit en présence de liquides, gaz ou poussière inflammables.
- Utiliser uniquement l'outil avec les piles spécifiquement conçues à cet effet. L'utilisation de toute autre pile peut provoquer un incendie.
- Ranger le produit inutilisé hors de la portée des enfants et des personnes sans expérience. Les lasers sont des appareils dangereux lorsqu'ils sont entre les mains d'utilisateurs inexpérimentés.
- N'utiliser que les accessoires conseillés par le fabricant pour le modèle de votre outil. Les accessoires adaptés à un laser donné peuvent être dangereux lorsqu'ils sont utilisés avec un autre laser.
- Les réparations et l'entretien de l'outil DOIVENT uniquement être effectués par un établissement de réparation professionnel. Toute réparation réalisée par du personnel non qualifié pourrait entraîner des blessures graves.
- Ne pas enlever ni altérer les étiquettes de mise en garde. Enlever les étiquettes accroît le risque d'exposition au rayonnement.
- Pour un usage intérieur seulement.
- Ce produit est conçu pour une utilisation dans une plage de températures variant de 5 °C (41 °F) à 40 °C (104 °F).

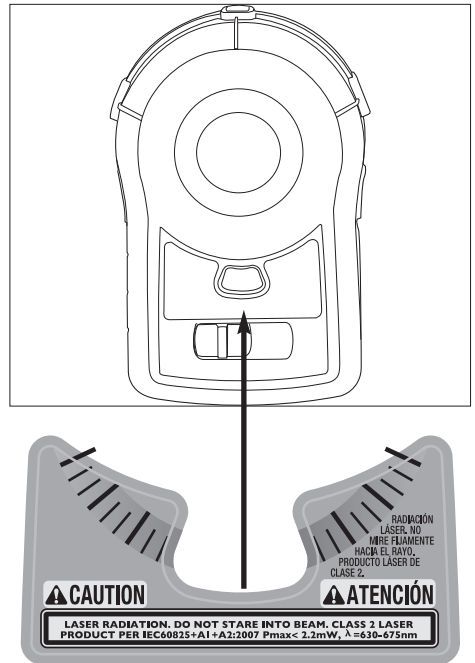
⚠ MISE EN GARDE : être prudent pour le perçage, le clouage ou la coupe dans les murs, les planchers et les plafonds pouvant contenir des câblages électriques ou des tuyaux. **Toujours effectuer une mise hors tension au moment de travailler près des fils électriques..**

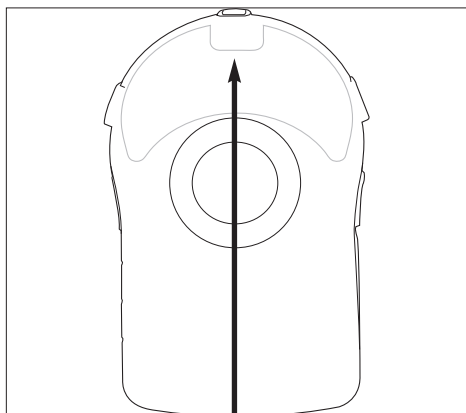
⚠ MISE EN GARDE : l'utilisation de commandes ou de réglages ou l'exécution de procédures autres que celles précisées dans la présente peut entraîner une exposition dangereuse au rayonnement laser.

L'étiquette apposée sur votre outil pourrait comprendre les symboles suivants.

Vvolts
mWmilliwatts
nm.....longueur d'onde
en nanomètres
Classe 2Laser de classe 2

Pour plus de commodité et de sécurité, les étiquettes suivantes sont apposées sur votre laser.





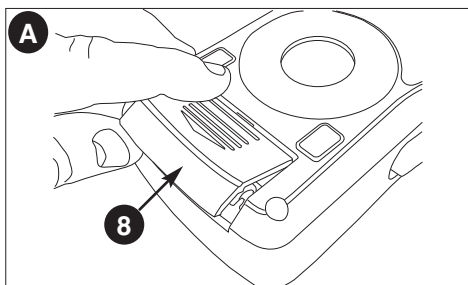
- Suivre attentivement toutes les directives et avertissements apposés sur l'étiquette des piles et de l'emballage de l'appareil.
- Toujours insérer les piles selon la polarité correcte (+ et -), comme indiqué sur les piles et le matériel.
- Ne pas créer de court-circuit dans les bornes des piles.
- Ne pas charger les piles.
- Ne pas mélanger piles neuves et usagées. Les remplacer toutes en même temps par des piles neuves de la même marque et du même type.
- Retirer immédiatement les piles déchargées et les éliminer en fonction de la réglementation locale en vigueur.
- Ne pas jeter les piles dans les flammes.
- Garder les piles hors de la portée des enfants.
- Retirer les piles si l'appareil n'est pas utilisé pendant plusieurs mois.



Lors du transport, tout contact accidentel entre les bornes à découvert et un objet conducteur comme une clé, une pièce de monnaie, un outil à main, etc. pourrait provoquer un incendie. La Hazardous Material Regulation du département américain des transports interdit, en fait, le transport des piles pour le commerce ou dans les avions (par ex. : piles emballées dans des valises et des bagages à main) À MOINS qu'elles soient bien protégées contre les courts-circuits. On doit donc s'assurer, lorsqu'on transporte des piles séparément, de bien protéger et isoler les bornes contre tout matériau qui risque d'entrer en contact avec eux et de provoquer un court-circuit.

Insertion des piles - figure A

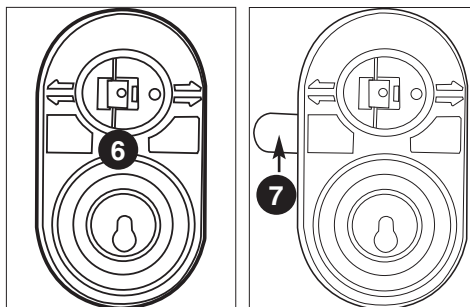
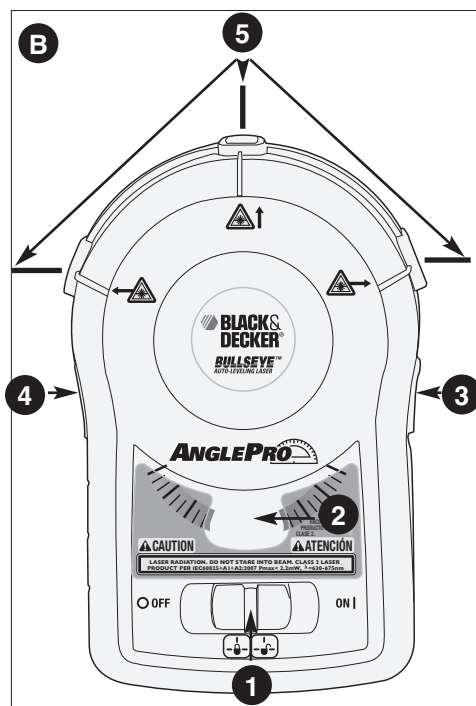
- S'assurer que l'interrupteur coulissant de marche/arrêt (1) soit complètement à gauche en le glissant à la position « OFF ».
- Ouvrir le couvercle du logement des piles (8) logé au dos de l'appareil. Insérer 2 piles alcalines AAA neuves de 1,5 V et s'assurer de bien faire correspondre les bornes (+) et (-). Refermer le couvercle en l'enclenchant en position.



⚠ AVERTISSEMENT : les piles peuvent exploser ou couler et provoquer des blessures ou un incendie. Pour réduire ce risque :

Caractéristiques - figure B

- 1.) Interrupteur coulissant marche/arrêt
- 2.) Rapporteur d'angle
- 3.) Bouton de direction du laser - (projection à gauche)
- 4.) Bouton de direction du laser - (projection à droite)
- 5.) Raies laser avec mise à niveau automatique
- 6.) Module de fixation murale -(broche à cloison sèche et trou de serrure)
- 7.) Bande adhésive autocollante

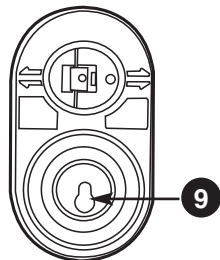


Suspension sur un mur à l'aide d'une vis -figure C

Il est possible de suspendre l'appareil à un mur avec une vis dans l'ouverture du trou de serrure (9) du module de fixation murale.

- Positionner l'ouverture en trou de serrure au-dessus de la tête de la vis et s'assurer que le module soit correctement inséré dans la portion étroite du trou.
- Serrer la vis.
- Aligner la poche circulaire au dos du laser avec le cercle magnétique sur le devant du module de fixation murale.
- S'assurer que l'appareil soit fermement inséré et bien fixe sur le mur.

C

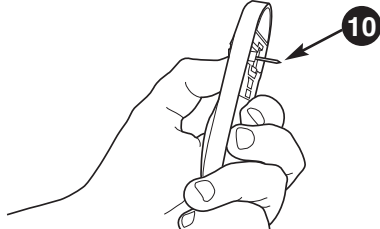


Suspension sur cloison sèche seulement - figure D

Il est possible de suspendre l'appareil laser sur une cloison sèche à l'aide de la broche pour cloison sèche (10).

- Pour enfoncer la broche dans la cloison sèche, exposer d'abord la tige en tournant sa base du côté opposé (fig D).

D



- Tout en maintenant une pression sur la base de la broche, l'insérer droit et fermement contre la surface de la cloison sèche.
- La broche de cloison sèche doit toujours être enfoncée manuellement plutôt qu'au moyen d'un marteau.
- Pour retirer la broche du mur, tirer dessus en ligne droite.
- Aligner la poche circulaire au dos du laser avec le cercle magnétique sur le devant du module de fixation murale.
- S'assurer que l'appareil soit fermement inséré et bien fixe sur le mur.

⚠ MISE EN GARDE : la broche est tranchante et doit être manipulée avec soin. Toujours s'assurer que la broche de

cloison sèche est fermée lorsqu'elle n'est pas utilisée.

REMARQUE : la broche ne doit être utilisée que pour la cloison sèche et NON pour d'autres surfaces comme le plâtre.

Fixation à un mur avec une bande adhésive - figure E

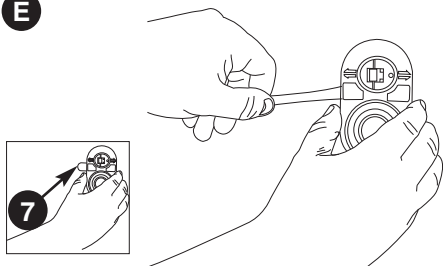
REMARQUE : Black & Decker recommande l'utilisation des bandes 3M® Command®.

Il est possible de suspendre l'appareil au laser au moyen d'une bande adhésive amovible (7) fixée au dos du module de fixation murale.

REMARQUE :

- 1.) Pour utiliser la bande adhésive, le mur doit être propre et sec.
 - 2.) Elle adhère à la cloison sèche, au plâtre et au bois.
 - 3.) La bande adhésive ne s'utilise pas sur certains types de papier peint.
- Décoller le papier protecteur d'un côté de la bande adhésive (7) et la coller au dos du module de fixation murale (6).
 - Décoller le papier protecteur de l'autre côté de la bande adhésive et la coller fermement sur le mur.
 - Aligner la poche circulaire au dos du laser avec le cercle magnétique sur le devant du module de fixation murale.
 - S'assurer que l'appareil soit fermement inséré et bien fixé sur le mur.
 - Pour décoller le tout du mur, retirer d'abord l'appareil laser du module de fixation murale. Puis, tenir le module d'une main, décoller lentement la bande adhésive en tirant droit le long du mur en l'éloignant du module de fixation jusqu'à ce qu'il se détache du mur (**figure E**). Ne tirer pas sur la bande adhésive à un angle.

E



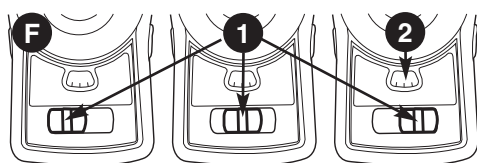
Fonctionnement

⚠ DANGER : rayonnement laser, éviter toute exposition directe avec les yeux.

Interrupteur coulissant marche/arrêt - figure F

- Coulisser l'interrupteur coulissant MARCHE/ARRÊT (1) au centre comme

illustré dans la figure F pour verrouiller le laser.



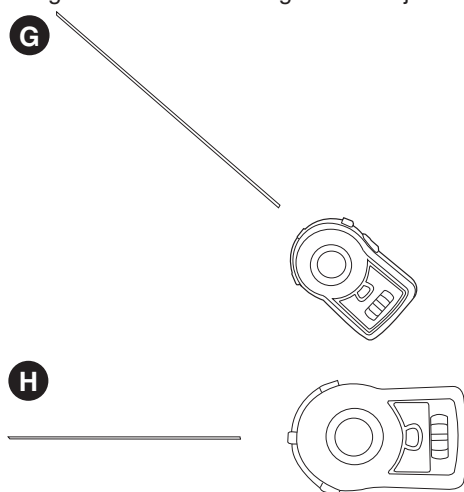
- Coulisser l'interrupteur complètement à droite pour actionner le mode de mise à niveau automatique.
- Coulisser l'interrupteur complètement à gauche pour le mettre hors tension.

Mode rapporteur d'angle

Le rapporteur d'angle interne (2) (figure f) du modèle BDL170 peut s'utiliser pour :

- transférer un angle; et
- projeter un faisceau à un angle (exemple : projeter un angle le long d'un escalier pour aligner des cadres le long du mur adjacent)

G



Utilisation du rapporteur d'angle - figure G, H

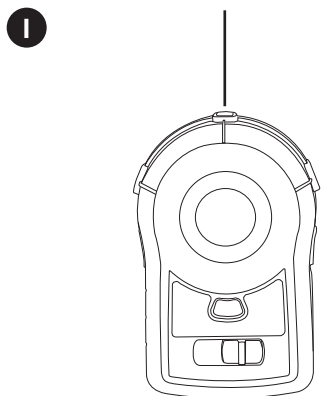
- Utiliser l'un des trois modes différents de suspension de l'appareil laser au mur ou le tenir dans une main contre le mur.
- Coulisser l'interrupteur marche/arrêt à la position centrale (1).
- L'appareil laser se mettra en marche et projette un faisceau.
- Il sera bloqué en une seule position.
- Le rétroéclairage du rapporteur d'angle (2) s'illuminera.
- Le hublot du rapporteur d'angle affichera un angle par rapport à la verticale.
- Il est possible de pivoter l'appareil sur 360 degrés et le hublot affichera l'angle en question.

- Il est alors possible de transférer cette lecture d'angle à un autre emplacement de travail.
- Même s'il est possible de positionner la direction verticale du laser à gauche ou à droite en « mode rapporteur d'angle », pour de meilleurs résultats, il devrait être réglé à la verticale pour optimiser les résultats.

Mode mise à niveau automatique - figures I, J, K, L, M

Pour actionner le mode de mise à niveau automatique, coulisser l'interrupteur MARCHE/ARRÊT (1) complètement à droite.

- Le rétroéclairage du hublot du rapporteur d'angle s'éteindra.
- L'appareil laser projettera un « aplomb » vertical. (**fig. I**)



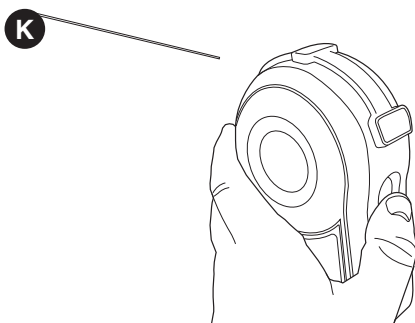
Projection du faisceau laser - figures J, K, L

Il est possible de projeter le faisceau laser à niveau à gauche, d'aplomb (vertical) et à droite.

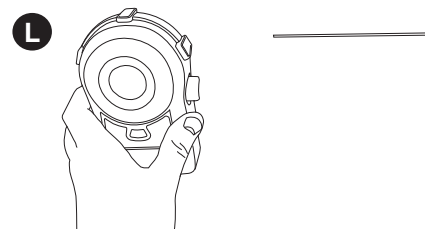
- Les boutons sur les côtés (3 et 4) s'utilisent pour modifier la direction du faisceau de l'appareil.
- Pour modifier la direction, enfoncer le bouton dans la direction recherchée.



- Le bouton est complètement enfoncé à la **figure K** et un faisceau laser est projeté de la gauche de l'appareil.



- Enfoncer le bouton dans l'autre direction et le faisceau laser sera projeté de la droite de l'appareil.



- Avec le bouton en position centrale, le faisceau laser est projeté verticalement.

Rangement

Toujours ranger l'appareil laser à l'intérieur avec l'interrupteur coulisant MARCHE/ARRÊT (1) à la position « OFF ».

Entretien

Nettoyer l'outil au moyen d'un savon doux et d'un linge humide seulement. Ne jamais laisser de liquide s'infiltrer à l'intérieur de l'outil ni tremper ce dernier dans un liquide quelconque.

IMPORTANT : pour assurer la **SÉCURITÉ** et la **FIABILITÉ** de ce produit, toutes les opérations de réparation, d'entretien et de réglage (autres que celles décrites aux présentes) doivent être effectuées dans un centre de service autorisé ou par du personnel qualifié; on ne doit utiliser que des pièces de rechange identiques.

ACCESSOIRES

Les accessoires recommandés pouvant être utilisés avec l'outil sont disponibles auprès de votre distributeur local ou centre de réparation autorisé. Pour tout renseignement concernant les accessoires, composer le :
1 800 544-6986.

⚠ **AVERTISSEMENT** : l'utilisation de tout accessoire non recommandé avec cet outil pourrait s'avérer dangereuse.

INFORMATION SUR LES RÉPARATIONS

Tous les centres de réparation Black & Decker sont dotés de personnel qualifié en matière d'outillage électrique; ils sont donc en mesure d'offrir à leur clientèle un service efficace et fiable. Que ce soit pour un avis technique, une réparation ou des pièces de rechange authentiques installées en usine, communiquer avec l'établissement Black & Decker le plus près de chez vous. Pour trouver l'établissement de réparation de votre région, consulter le répertoire des Pages jaunes à la rubrique « Outils électriques » ou composer le numéro suivant :
1-800-544-6986 ou consulter le site www.blackanddecker.com

GARANTIE COMPLÈTE DE DEUX ANS POUR UNE UTILISATION DOMESTIQUE

Black & Decker (É.-U.) Inc. garantit ce produit pour une durée de deux ans contre tout défaut de matériau ou de fabrication. Le produit défectueux sera remplacé ou réparé sans frais de l'une des deux façons suivantes :

La première façon consiste en un simple échange chez le détaillant qui l'a vendu (pourvu qu'il s'agisse d'un détaillant participant). Tout retour doit se faire durant la période correspondant à la politique d'échange du détaillant (habituellement, de 30 à 90 jours après l'achat). Une preuve d'achat peut être requise. Vérifier auprès du détaillant pour connaître sa politique concernant les retours hors de la période définie pour les échanges.

La deuxième option est d'apporter ou d'envoyer le produit (transport payé d'avance) à un centre de réparation

autorisé ou à un centre de réparation de Black & Decker pour faire réparer ou échanger le produit, à notre discrétion. Une preuve d'achat peut être requise. Les centres Black & Decker et les centres de service autorisés sont répertoriés dans les pages jaunes, sous la rubrique « Outils électriques ».

Cette garantie ne s'applique pas aux accessoires. Cette garantie vous accorde des droits légaux spécifiques et vous pourriez avoir d'autres droits qui varient d'un État ou d'une province à l'autre. Pour toute question, communiquer avec le directeur du centre de réparation Black & Decker le plus près de chez vous. Ce produit n'est pas destiné à un usage commercial.

REPLACEMENT GRATUIT DES ÉTIQUETTES D'AVERTISSEMENT : si les étiquettes d'avertissement deviennent illisibles ou sont manquantes, composer le **1-800-544-6986** pour en obtenir le remplacement gratuit.

Imported by / Importé par
Black & Decker Canada Inc.
100 Central Ave.
Brockville (Ontario) K6V 5W6

Voir la rubrique "Outils électriques"
des Pages Jaunes
pour le service et les ventes.



DÉPANNAGE

Problème	Cause possible	Solution
<ul style="list-style-type: none"> Le laser ne projette pas de faisceau sur le mur. 	<ul style="list-style-type: none"> Piles faibles. La plage de mise à niveau automatique de l'outil correspond à +/- 5 degrés; donc, si l'outil n'est pas tenu à la verticale à l'intérieur d'un angle de 5 degrés, les raies laser ne seront pas projetées sur le mur. 	<ul style="list-style-type: none"> Remplacer les piles usées avec des piles neuves. S'assurer que l'appareil est aussi droit que possible en haut et en bas.
<ul style="list-style-type: none"> Le laser effectue une projection sur le mur, mais les raies ne sont pas de niveau. 	<ul style="list-style-type: none"> Le mur sur lequel l'outil est monté ou tenu doit correspondre à un angle de +/- 5 degrés de la verticale pour que le mécanisme de mise à niveau automatique fonctionne correctement. Si l'angle est plus prononcé, les raies seront tout de même projetées, mais risquent de ne pas être à niveau. L'interrupteur marche/arrêt du laser doit être complètement réglé à la position de marche. 	<ul style="list-style-type: none"> Utiliser l'appareil contre les murs verticaux seulement, les raies ne seront pas au niveau sur des murs en pente ou sur toute surface non verticale. S'assurer que l'interrupteur marche/arrêt du laser est complètement réglé à la position de marche.

FICHE TECHNIQUE

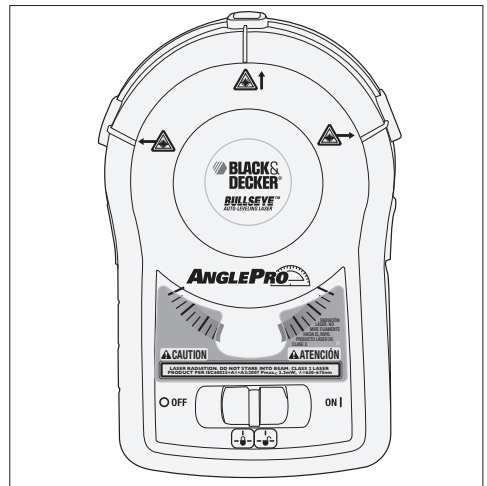
Longueur d'onde de la diode du laser :	650 ± 5 nm (couleur rouge)
Classe du laser :	classe 2
Plage de fonctionnement : (l'éclairage)	jusqu'à 609 cm (20 pi) (selon
Précision de la mise à niveau :	± 3 mm (1/8 po) à 3 m (10 pi)
Plage de mise à niveau automatique :	±5°
Réglage de la durée, raies de mise à niveau automatique :	<5 sec
Piles :	2 AAA piles (comprises)
Tension :	3,0 volts
Température de fonctionnement :	5 °C (41 °F) - 40 °C (104 °F)

BLACK & DECKER®

Láser de nivelación automática Con transportador incorporado

MANUAL DE INSTRUCCIONES

Catálogo N° BDL170



¡GRACIAS POR ELEGIR BLACK & DECKER!
VAYA A WWW.BLACKANDDECKER.COM/NEWOWNER
PARA REGISTRAR SU NUEVO PRODUCTO.

**ANTES DE DEVOLVER ESTE PRODUCTO POR
CUALQUIER MOTIVO, LLAME AL
(55)5326-7100**

ANTES DE LLAMAR, TENGA EL NÚMERO DE CATÁLOGO Y EL CÓDIGO DE FECHA PREPARADOS. EN LA MAYORÍA DE LOS CASOS, UN REPRESENTANTE DE BLACK & DECKER PUEDE RESOLVER EL PROBLEMA POR TELÉFONO. SI DESEA REALIZAR UNA SUGERENCIA O COMENTARIO, LLÁMENOS. SU OPINIÓN ES FUNDAMENTAL PARA BLACK & DECKER.

CONSERVE ESTE MANUAL PARA FUTURAS CONSULTAS.

⚠ ADVERTENCIA: Lea y comprenda todas las instrucciones. El incumplimiento de cualquiera de las instrucciones enumeradas a continuación puede provocar una descarga eléctrica, un incendio y/o lesiones personales graves.

CONSERVE ESTAS INSTRUCCIONES

Instrucciones de seguridad

⚠ PELIGRO: Radiación láser; evite la exposición directa de los ojos, ya que pueden producirse lesiones oculares graves.

- No utilice herramientas ópticas, como por ejemplo un telescopio o un teodolito para ver el rayo láser.
- Coloque el láser de manera que se evite todo contacto accidental con los ojos.
- No opere el láser con niños alrededor ni permita que los niños operen el láser.
- No desmontar. Cualquier modificación que se realice al producto aumenta el riesgo de radiación láser.

⚠ ADVERTENCIA: La utilización de controles o ajustes o la realización de procedimientos diferentes a los especificados en este manual podrían provocar el riesgo de exposición a radiación láser.

- No opere la herramienta en atmósferas explosivas, como ambientes donde se encuentren líquidos, gases o polvo inflamables.
- Utilice únicamente con las baterías recomendadas específicamente. El uso de otro tipo de batería puede producir riesgo de incendio.
- Guarde el producto que no está en uso fuera del alcance de los niños y de personas no entrenadas. El láser es peligroso en las manos de usuarios no entrenados.
- Utilice sólo accesorios recomendados por el fabricante para el modelo que posee. Los accesorios correctos para un láser pueden provocar riesgo de lesiones si se utilizan con otro láser.
- Las reparaciones y el mantenimiento DEBEN ser realizados por un centro de reparaciones calificado. Las reparaciones realizadas por personal no calificado pueden provocar lesiones graves.
- No retire ni borre las etiquetas de advertencia. El retiro de las etiquetas aumenta el riesgo de exposición a radiación.
- Únicamente para uso en interiores.
- Este producto está diseñado para ser utilizado en temperaturas entre 5 °C (41 °F) y 40 °C (104 °F).

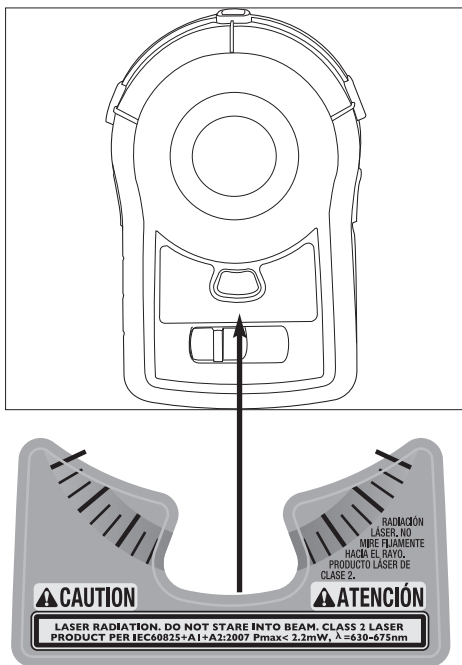
⚠ PRECAUCIÓN: Tenga precaución al taladrar, clavar o cortar paredes, pisos y techos que puedan contener cableado eléctrico o tuberías. **Desconecte siempre la electricidad para trabajar cerca de cableado eléctrico.**

⚠ PRECAUCIÓN: La utilización de controles o ajustes o la realización de procedimientos diferentes a los especificados en este manual podrían provocar el riesgo de exposición a radiación láser.

La etiqueta de su herramienta puede incluir los siguientes símbolos.

- V voltios
- mW milivatios
- nm longitud de ondas
en nanómetros
- Clase 2 Láser de Clase 2

Para su comodidad y seguridad, el láser incluye las siguientes etiquetas:





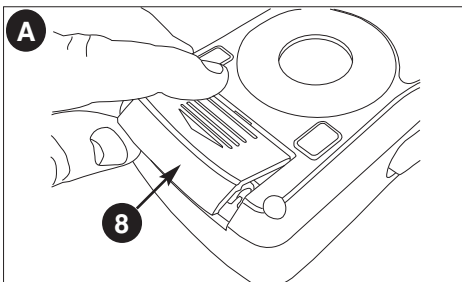
⚠ ADVERTENCIA: Las baterías pueden explotar o tener pérdidas y pueden provocar lesiones o incendios. Para disminuir este riesgo:

- Siga cuidadosamente todas las instrucciones y las advertencias de la etiqueta y el envase de la batería.
- Introduzca siempre las baterías correctamente respetando la polaridad (+ y -) indicada en la batería y en el equipo.
- No produzca un cortocircuito con los terminales de la batería.
- No cargue las baterías.
- No mezcle baterías nuevas y viejas. Reemplácelas todas al mismo tiempo por baterías nuevas de la misma marca y tipo.
- Retire todas las baterías agotadas inmediatamente y elimínelas de acuerdo con los códigos locales.
- No arroje las baterías al fuego.
- Mantenga las baterías fuera del alcance de los niños.
- Retire las baterías si el aparato no se va a usar durante varios meses.

“Transportar baterías puede provocar incendios si los terminales de la batería entran en contacto accidentalmente con materiales conductores como llaves, monedas, herramientas de mano u objetos similares. Las Normas para Materiales Peligrosos del Departamento de Transporte de Estados Unidos (HMR) en realidad prohíben transportar baterías comercialmente o en aeroplanos (es decir, empaçadas en valijas y equipaje de mano) A MENOS que estén protegidas correctamente de cortocircuitos. Por lo tanto, cuando transporte baterías individuales, asegúrese de que los terminales de la batería estén protegidos y bien aislados de materiales que puedan hacer contacto y causar un cortocircuito.”

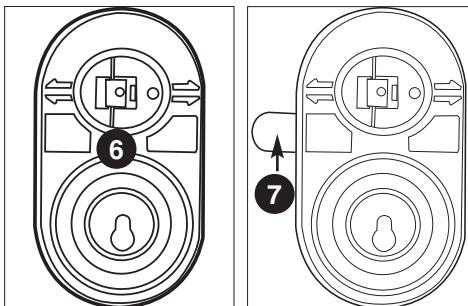
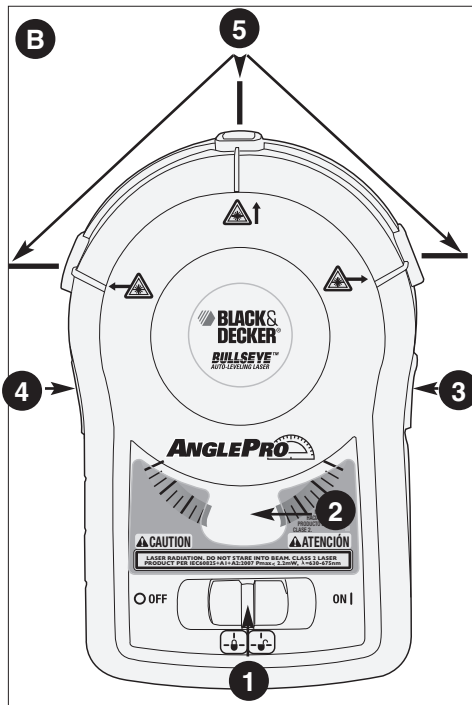
Instalación de las baterías - Figura A

- Deslice el actuador de encendido/apagado (1) hacia la izquierda, a la posición “OFF”, y asegúrese de que se encuentre totalmente en la posición de apagado.
- Abra la cubierta del compartimiento de las baterías (8) que está en la parte posterior de la unidad. Inserte 2 baterías AAA de 1,5 voltios nuevas y asegúrese de que los terminales (+) y (-) coincidan correctamente. Cierre la cubierta del compartimiento de las baterías hasta escuchar un ruido seco y observar que ésta encaje en su lugar.



Características - Figura B

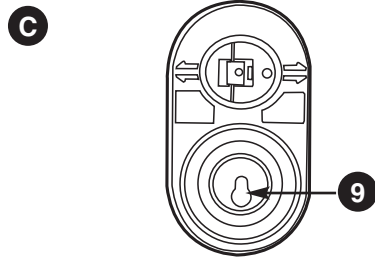
- 1.) Actuador de encendido/apagado
- 2.) Transportador
- 3.) Botón direccional del láser - (Proyección izquierda)
- 4.) Botón direccional del láser - (Proyección derecha)
- 5.) Líneas láser autonivelantes
- 6.) Dispositivo de montaje mural -(ojo de la cerradura y clavija para panel de yeso)
- 7.) Cinta autoadhesiva



Para colgar en la pared con un tornillo -Figura C

La unidad láser se puede colgar en la pared mediante un tornillo y la abertura del ojo de la cerradura (9) del dispositivo de montaje mural.

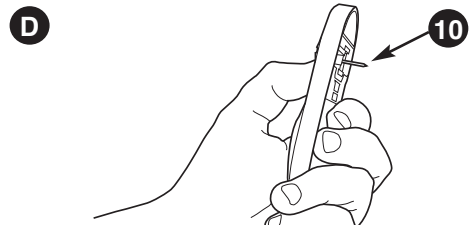
- Coloque la abertura del ojo de la cerradura sobre la cabeza del tornillo y asegúrese de que el dispositivo esté apoyado en la abertura estrecha del ojo de la cerradura.
- Ajuste el tornillo.
- Alinee la cavidad circular en la parte posterior del láser con el círculo magnético en el frente del dispositivo de montaje mural.
- Asegúrese de que la unidad esté bien apoyada y firme sobre la pared.



Para colgar solamente en superficies de panel de yeso - Figura D

La unidad láser se puede colgar en panel de yeso mediante la clavija para paneles de yeso (10) del dispositivo de montaje mural.

- Para presionar la clavija en el panel de yeso, primero exponga la clavija girando su base desde el lado opuesto (Figura A)



- Mientras mantiene la presión en la base de la clavija, inserte la clavija en forma recta y apóyela bien contra la superficie de panel de yeso.
- Presione siempre la clavija para panel de yeso en forma manual; nunca con un martillo.
- Para retirar la clavija para panel de yeso de la pared, tire hacia afuera en forma recta.
- Alinee la cavidad circular en la parte posterior del láser con el círculo magnético en el frente del dispositivo de montaje mural.

- Asegúrese de que la unidad esté bien apoyada y firme sobre la pared.
- ⚠ **PRECAUCIÓN:** La clavija es filosa y debe manipularse con cuidado. Asegúrese siempre de que la clavija para panel de yeso esté cerrada cuando no se utilice.

NOTA: La clavija solamente debe utilizarse en panel de yeso, NO en otras superficies como yeso enlucido.

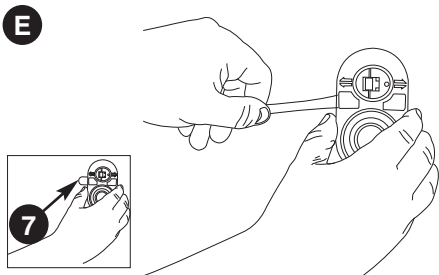
Para colgar en la pared con una cinta adhesiva desmontable - Figura E

NOTA: Black & Decker recomienda el uso de 3M® Command®.

La unidad láser se puede colgar en la pared mediante una cinta adhesiva desmontable (7) que se acopla a la parte posterior del dispositivo de montaje mural.

NOTA:

- 1.) Para usar la cinta adhesiva, la pared debe estar limpia y seca..
 - 2.) La cinta adhesiva se puede usar sobre panel de yeso, yeso y madera.
 - 3.) La cinta adhesiva no se puede usar sobre ciertos tipos de empapelados.
- Retire el papel protector de uno de los lados de la cinta adhesiva (7) y aplique la cinta en la parte posterior del dispositivo de montaje mural (6).
 - Retire el papel protector del otro lado de la cinta adhesiva y presione el dispositivo con firmeza contra la pared.
 - Alinee la cavidad circular en la parte posterior del láser con el círculo magnético en el frente del dispositivo de montaje mural.
 - Asegúrese de que la unidad esté bien apoyada y firme sobre la pared.
 - Para retirar de la pared, primero retire la unidad láser del dispositivo de montaje mural. Luego, mientras sostiene el dispositivo de montaje mural con una mano, tire despacio de la cinta adhesiva en forma recta hasta que el dispositivo de montaje mural se desprenda de la pared (**Figura E**). No tire de la cinta en ángulo.

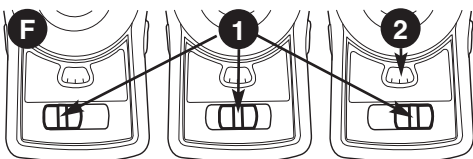


Instrucciones de operación

- ⚠ **PELIGRO:** Radiación láser; evite la exposición directa de los ojos.

Actuador ON/OFF (de encendido/apagado) - Figura F

- Para encender el láser en una posición bloqueada, deslice el actuador ON/OFF (1) a la posición media, como se muestra en la **Figura F**.

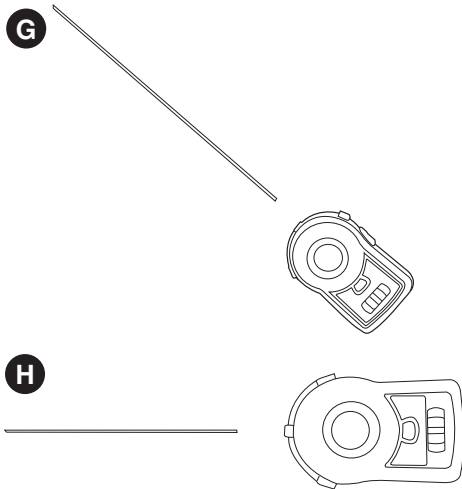


- Para activar el modo de autonivelación, deslice el actuador totalmente hacia la derecha.
- Para apagar el láser, deslice el actuador totalmente hacia la izquierda.

Modo transportador

El transportador interno (2) (Figura F) del láser BDL170 se puede usar para:

- Transferir un ángulo.
- Aplicar un ángulo (Ejemplo: transferir el ángulo de una escalera para alinear cuadros en la pared de la escalera).



Para usar el transportador - Figuras G y H

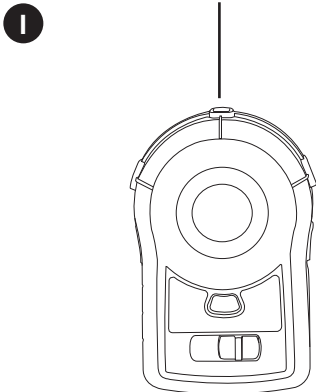
- Cuelgue el láser en la pared mediante uno de los tres métodos mencionados o sosténgalo en forma manual contra la pared.
- Deslice el actuador de encendido/apagado (1) a la posición media.

- El láser se encenderá y proyectará una línea láser.
- Estará bloqueado en una posición.
- La luz trasera del transportador (2) se encenderá.
- La ventana del transportador mostrará un ángulo con relación al eje vertical.
- La unidad se puede girar 360 grados, y el ángulo que se determine se puede leer desde la ventana.
- Luego, el ángulo se puede transferir a otra área de trabajo.
- Si bien en el "Modo transportador" la dirección del láser se puede cambiar de vertical a izquierda o derecha, para obtener mejores resultados, deberá colocarlo en la posición vertical.

Modo de autonivelación - Figuras I, J, K, L y M

Para activar el Modo de autonivelación, deslice el actuador ON/ OFF (1) por completo hacia la derecha.

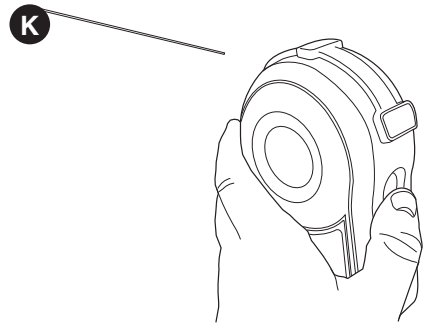
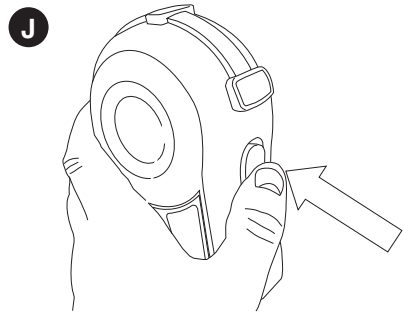
- La luz trasera de la ventana del transportador se apagará.
- El láser proyectará una línea vertical, "a plomo". (Fig. I)



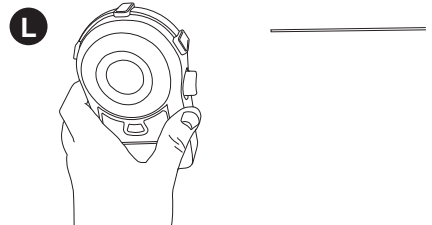
Para dirigir la línea láser - Figuras J, K y L

El láser se puede proyectar a nivel hacia la izquierda, a plomo (perpendicular al piso) y a nivel hacia la derecha.

- Los botones en los costados (3 y 4) se usan para cambiar la dirección de la línea láser.
- Para cambiar la dirección, presione el botón en la dirección que desee dirigir el láser.



- En la **Figura K**, el botón está totalmente hundido y la línea láser se proyecta hacia la izquierda de la unidad.
- Presione el botón hacia el otro lado y la línea láser se proyectará hacia la derecha de la unidad.



- Cuando el botón se presiona nuevamente en el centro, la línea láser se proyecta en forma vertical.

Almacenamiento

Guarde siempre el láser bajo techo, con el actuador ON/OFF (1) en la posición "OFF".

MANTENIMIENTO

Utilice únicamente jabón suave y un trapo húmedo para limpiar la herramienta. Nunca permita que se introduzcan líquidos en la herramienta; nunca sumerja ninguna parte de la herramienta en ningún líquido. **IMPORTANTE:** Para garantizar la SEGURIDAD y la CONFIABILIDAD del producto, la reparaciones, el mantenimiento y los ajustes deberán efectuarse en centros de servicio autorizado u otras organizaciones de servicio calificado, que utilicen siempre refacciones idénticas.

ACCESORIOS

Los accesorios que se recomiendan para la herramienta están disponibles en su distribuidor local o en el centro de mantenimiento autorizado. Si necesita ayuda con respecto a los accesorios, llame al: **(55)5326-7100**

⚠ ADVERTENCIA: El uso de accesorios no recomendados para utilizar con esta herramienta puede resultar peligroso.

INFORMACIÓN DE MANTENIMIENTO

Todos los Centros de mantenimiento de Black & Decker cuentan con personal altamente capacitado dispuesto a brindar a todos los clientes un servicio eficiente y confiable en la reparación de herramientas eléctricas. Si necesita consejo técnico, reparaciones o piezas de repuesto originales de fábrica, póngase en contacto con el centro de mantenimiento de Black & Decker más cercano a su domicilio. Para ubicar su centro de servicio local, consulte la sección "Herramientas eléctricas" (Tools-Electric) de las páginas amarillas, llame al **(55)5326-7100** o visite nuestro sitio www.blackanddecker.com.

GARANTÍA COMPLETA DE DOS AÑOS PARA USO EN EL HOGAR

Black & Decker (Estados Unidos) Inc. ofrece una garantía de dos años por cualquier defecto del material o de fabricación de este producto. El producto defectuoso se reparará o reemplazará sin costo alguno de dos maneras.

La primera opción, el reemplazo, es devolver el producto al comercio donde se lo adquirió (siempre y cuando se trate de un comercio participante). Las devoluciones deben realizarse conforme a

la política de devolución del comercio (generalmente, entre 30 y 90 días posteriores a la venta). Le pueden solicitar comprobante de compra. Consulte en el comercio acerca de la política especial sobre devoluciones una vez excedido el plazo establecido.

La segunda opción es llevar o enviar el producto (con flete pago) a un Centro de mantenimiento propio o autorizado de Black & Decker para su reparación o reemplazo según nuestro criterio. Le pueden solicitar el comprobante de compra. Los Centros de mantenimiento autorizados y de propiedad de Black & Decker se detallan en la sección "Herramientas eléctricas" (Tools-Electric) de las páginas amarillas de la guía telefónica.

Esta garantía no se extiende a los accesorios. Esta garantía le concede derechos legales específicos; usted puede tener otros derechos que pueden variar según el estado o la provincia. Si tiene alguna pregunta, comuníquese con el gerente del Centro de mantenimiento de Black & Decker de su zona. Este producto no está diseñado para uso comercial.

REEMPLAZO GRATUITO DE LAS ETIQUETAS DE ADVERTENCIAS: si sus etiquetas de advertencia se tornan ilegibles o faltan, llame al **(55)5326-7100** para que se le reemplacen gratuitamente.

BLACK & DECKER S.A. DE C.V.
BOSQUES DE CIDROS ACCESO RADIATAS NO. 42
COL. BOSQUES DE LAS LOMAS.
05120 MÉXICO, D.F.
TEL. 55-5326-7100

Vea "Herramientas eléctricas (Tools-Electric)"
- Páginas amarillas -
para Servicio y ventas



ESPECIFICACIONES

3V

Para reparación y servicio de sus herramientas eléctricas, favor de dirigirse al Centro de Servicio más cercano:

CULIACAN, SIN

Av. Nicolás Bravo #1063 Sur
(667) 7 12 42 11
Col. Industrial Bravo

GUADALAJARA, JAL

Av. La Paz #1779
(33) 3825 6978
Col. Americana Sector Juarez

MEXICO, D.F.

Eje Central Lázaro Cardenas
No. 18

(55) 5588 9377

Local D, Col. Obrera

MERIDA, YUC

Calle 63 #459-A

(999) 928 5038

Col. Centro

MONTERREY, N.L.

Av. Francisco I. Madero
No.831

(81) 8375 2313

Col. Centro

PUEBLA, PUE

17 Norte #205

(222) 246 3714

Col. Centro

QUERETARO, QRO

Av. Madero 139 Pte.

(442) 214 1660

Col. Centro

SAN LUIS POTOSI, SLP

Av. Universidad 1525

(444) 814 2383

Col. San Luis

TORREON, COAH

Blvd. Independencia, 96 Pte.

(871) 716 5265

Col. Centro

VERACRUZ, VER

Prolongación Díaz Mirón #4280

(229)921 7016

Col. Remes

VILLAHERMOSA, TAB

Constitución 516-A

(993) 312 5111

Col. Centro

PARA OTRAS

LOCALIDADES LLAME AL:

(55) 5326 7100

DETECCIÓN DE PROBLEMAS

Problema	Causa posible	Solución
<ul style="list-style-type: none"> • El láser no se proyecta sobre la pared. 	<ul style="list-style-type: none"> • Baterías agotadas. • La amplitud de autonivelación de la unidad es de +/-5 grados; si la unidad no se sujeta dentro de los 5 grados verticales, las líneas láser no se proyectarán en la pared. 	<ul style="list-style-type: none"> • Coloque baterías nuevas. • Asegúrese de que la unidad esté tan perpendicular al piso y hacia abajo como sea posible.
<ul style="list-style-type: none"> • El láser se proyecta en la pared, pero las líneas no se nivelan. 	<ul style="list-style-type: none"> • La pared en la que se monta o sujeta la unidad debe estar dentro de los +/- 5 grados verticales para que el mecanismo autonivelante funcione correctamente. Si se excede este parámetro, las líneas se proyectarán, pero posiblemente no se nivelen. • El interruptor de encendido/apagado del láser se debe colocar en su posición de encendido máxima. 	<ul style="list-style-type: none"> • Utilice la unidad contra paredes verticales únicamente, ya que las líneas no se nivelarán en paredes inclinadas u otras superficies no verticales. • Asegúrese de que el interruptor de encendido/apagado del láser esté en la posición de encendido máxima.

ESPECIFICACIONES TÉCNICAS

Longitud de ondas de diodo del láser:	650 ± 5 nm (color rojo)
Clase de láser:	Clase 2
Amplitud de funcionamiento: condiciones de luz)	Hasta 609 cm (20 pies) (según las
Precisión de nivelación:	3 mm (±1/8 pulgada) a 3 m (10 pies)
Amplitud de autonivelación:	±5°
Tiempo de configuración de las líneas de autonivelación:	< 5 seg.
Baterías:	2 baterías AAA (incluidas)
Voltaje:	3 V
Temperatura de funcionamiento:	5 °C (41 °F) a 40 °C (104 °F)

Cat No. BDL170
Copyright © 2011 Black & Decker

Form # 90565465

APRIL 2011
Printed in China

Free Manuals Download Website

<http://myh66.com>

<http://usermanuals.us>

<http://www.somanuals.com>

<http://www.4manuals.cc>

<http://www.manual-lib.com>

<http://www.404manual.com>

<http://www.luxmanual.com>

<http://aubethermostatmanual.com>

Golf course search by state

<http://golfingnear.com>

Email search by domain

<http://emailbydomain.com>

Auto manuals search

<http://auto.somanuals.com>

TV manuals search

<http://tv.somanuals.com>