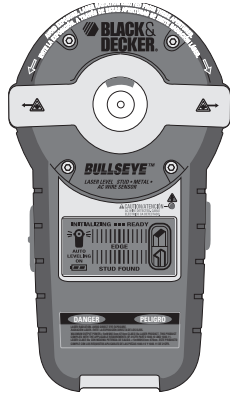


## BULLSEYE™ Auto Leveling Laser / Wood & Metal Stud / AC Wire Sensor

# INSTRUCTION MANUAL



Catalog No. BDL190S

Thank you for choosing Black & Decker!  
Go to [www.BlackandDecker.com/NewOwner](http://www.BlackandDecker.com/NewOwner)  
to register your new product.

### PLEASE READ BEFORE RETURNING THIS PRODUCT FOR ANY REASON:

If you have a question or experience a problem with your Black & Decker purchase, go to [HTTP://WWW.BLACKANDDECKER.COM/INSTANTANSWERS](http://www.blackanddecker.com/instantanswers) for instant answers 24 hours a day.

If you can't find the answer or do not have access to the internet, call 1-800-544-6986 from 8 a.m. to 5 p.m. EST Mon. -- Fri. to speak with an agent.

Please have the catalog number available when you call.

### SAVE THIS MANUAL FOR FUTURE REFERENCE.

VEA EL ESPAÑOL EN LA CONTRAPORTADA.

INSTRUCTIVO DE OPERACIÓN, CENTROS DE SERVICIO Y PÓLIZA DE GARANTÍA.  
ADVERTENCIA: LEÁSE ESTE INSTRUCTIVO ANTES DE USAR EL PRODUCTO.

Cat No. BDL190S Form # 90565471  
March 2011 Copyright © 2011 Black & Decker Printed in China

**⚠ WARNING: Read and understand all instructions.** Failure to follow all instructions listed below may result in electric shock, fire and/or serious personal injury.

### SAVE THESE INSTRUCTIONS

### Safety Instructions

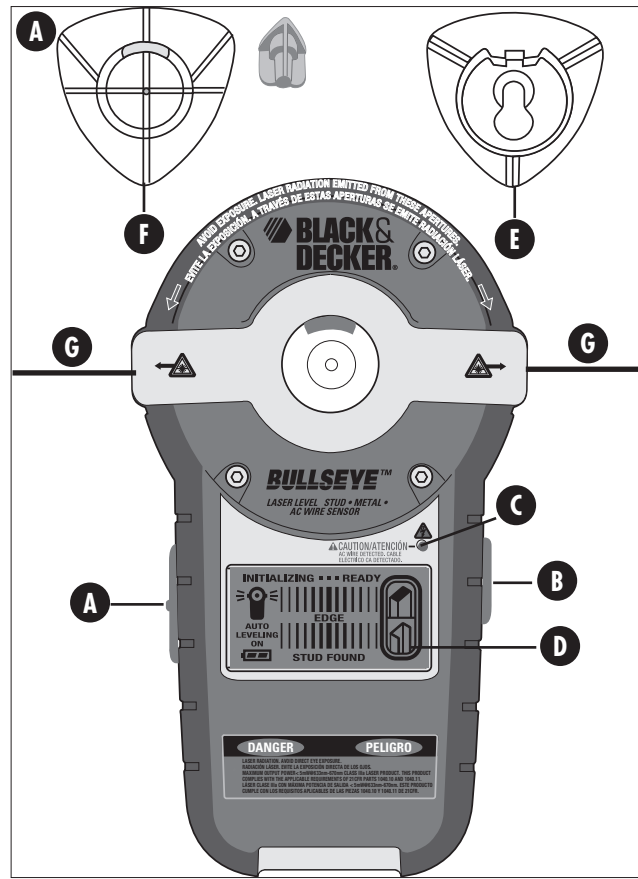
- Do not operate the laser in explosive atmospheres, such as in the presence of flammable liquids, gases, or dust.
- Use the laser only with the specifically designated batteries. Use of any other batteries may create a risk of fire.
- Store idle laser out of reach of children and other untrained persons. Lasers are dangerous in the hands of untrained users.
- Use only accessories that are recommended by the manufacturer for your model. Accessories that may be suitable for one laser, may create a risk of injury when used on another laser.
- Do not use optical tools such as a telescope or transit to view the laser beam. Serious eye injury could result.
- Do not place the laser in a position which may cause anyone to intentionally or unintentionally stare into the laser beam. Serious eye injury could result.
- Turn the laser off when it is not in use. Leaving the laser on increases the risk of staring into the laser beam.
- Repairs and servicing **MUST** be performed by a qualified repair facility. Repairs performed by unqualified personnel could result in serious injury.
- ⚠ WARNING: DO NOT DISASSEMBLE THE LASER.** There are no user serviceable parts inside. Disassembling the Laser will void all warranties on the product. Do not modify the product in any way. Modifying the tool may result in Hazardous Laser Radiation Exposure.
- Do not operate the laser around children or allow children to operate the laser. Serious eye injury may result.
- Do not remove or deface warning labels. Removing labels increases the risk of exposure to radiation.
- Position the laser securely. Damage to the laser or serious injury could result if the laser falls.
- ⚠ CAUTION:** Occasionally, pipes and electrical wiring may not be detected by this product. The sensor will not detect hot wires inside metal pipe or metal conduit, behind metallic wall covering, or behind some plywood or other dense materials.
- ⚠ CAUTION:** Material thickness, type of material, moisture content, and other variables can affect sensing results. The sensor may detect electric wiring or pipes in the same manner that studs are detected depending on their location to the wall surface. Use caution when drilling, nailing or cutting into walls, floors and ceilings which may contain electrical wiring or pipes. These items may be detected by the sensor in the same manner in which studs are detected. Because studs are normally spaced 16 inches (406 mm) or 24 inches (610 mm) apart and are usually 1-1/2 inches (38 mm) wide, beware of anything closer together or of a different width. **Always turn off the power when working near electrical wires.**
- ⚠ CAUTION:** Use of controls or adjustments or performance of procedures other than those specified in this manual may result in hazardous laser radiation exposure.
- This product is intended for use in a temperature range of 50°F(10°C) - 104°F(40°C).

### Liquid Crystal Display (First Aid Measures)

- If liquid crystal comes in contact with your skin:  
Wash area off completely with plenty of water. Remove contaminated clothing.
- If liquid crystal gets into your eye:  
Flush the affected eye with clean water and then seek medical attention.
- If liquid crystal is swallowed:  
Flush your mouth thoroughly with water. Drink large quantities of water and induce vomiting. Then seek medical attention.

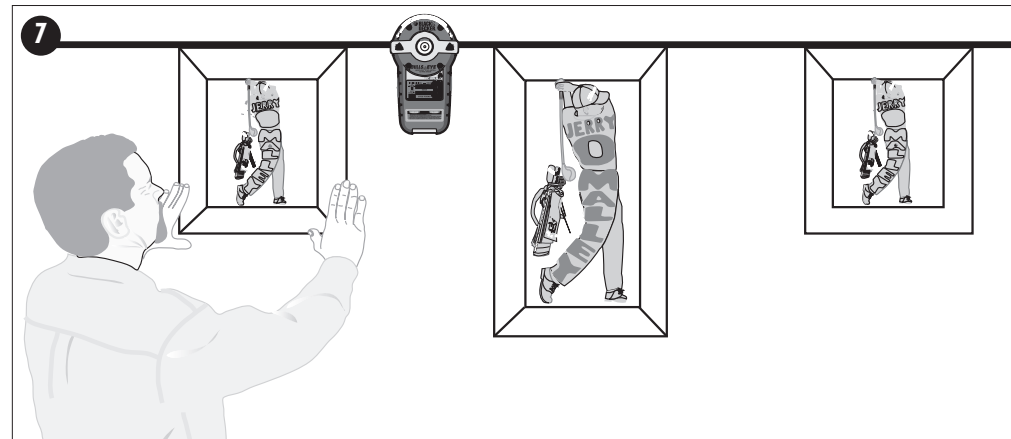
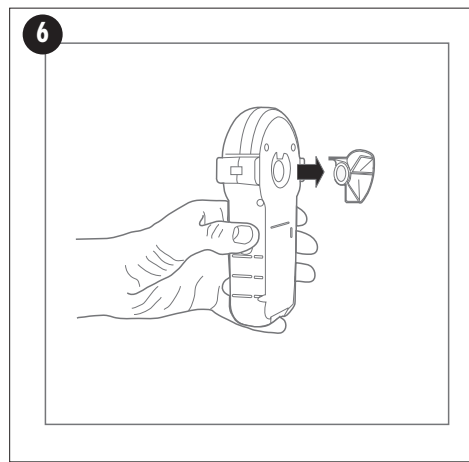
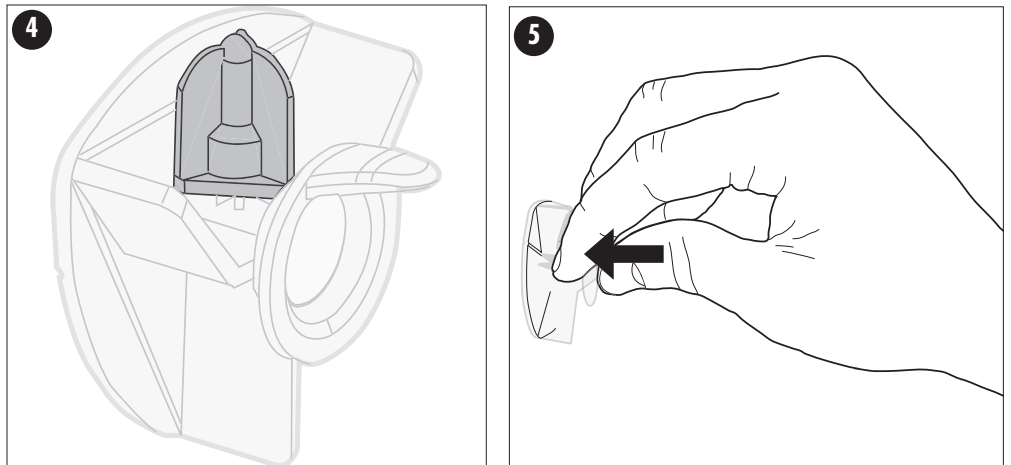
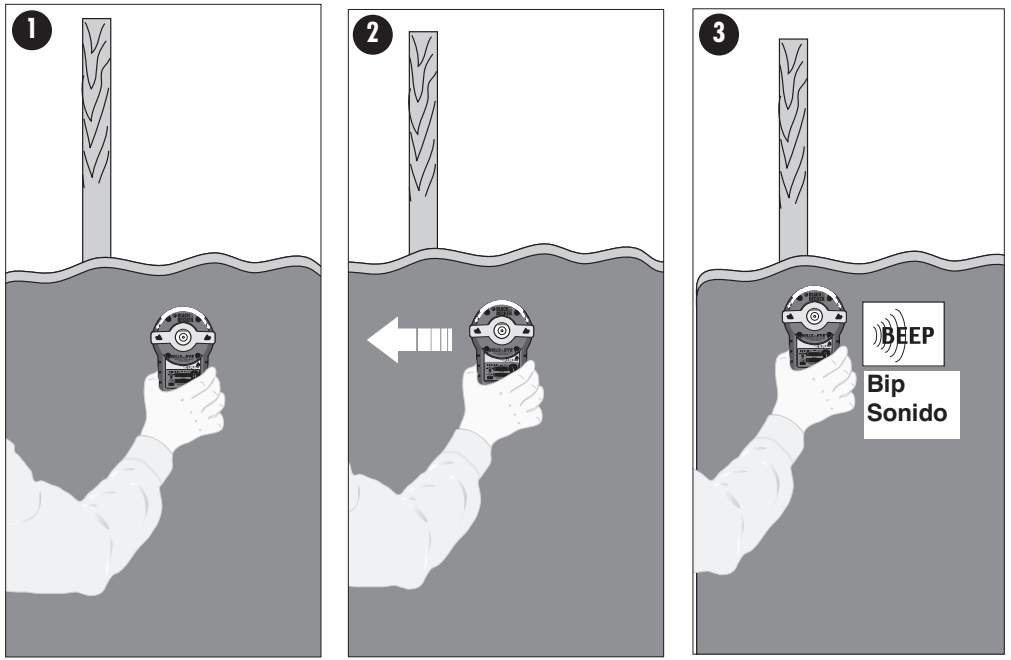
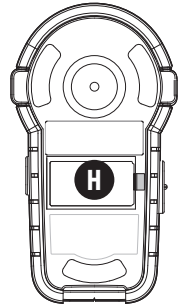
The label on your tool may include the following symbols.

- V .....volts
- mW .....milliwatts
- nm .....wavelength in nanometers
- IIIa .....Class IIIa Laser
- ⚠ .....AC Wire Warning

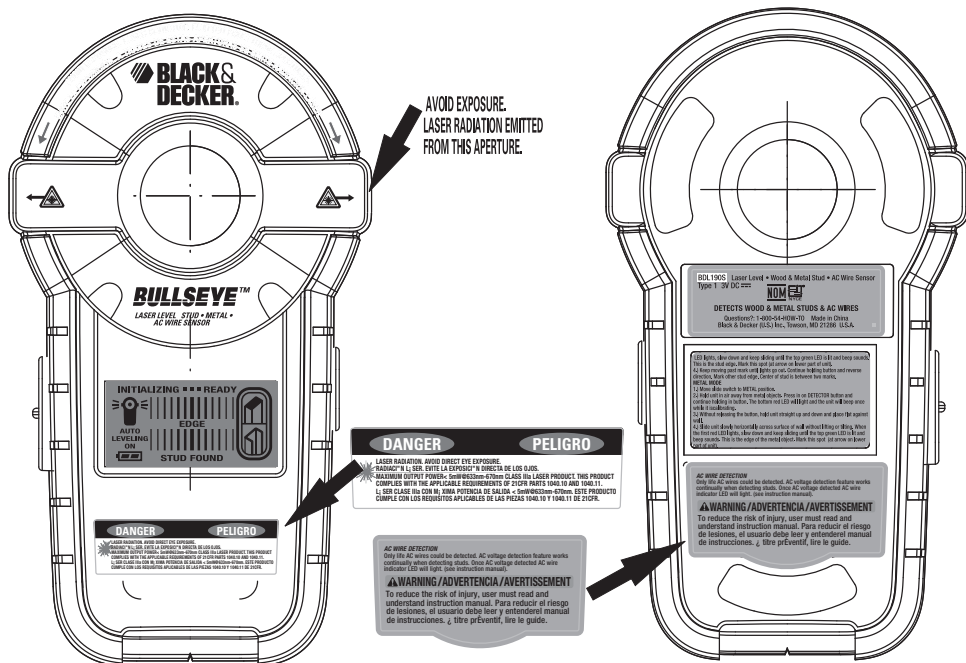


### FEATURES

- A.) Laser On/Off Button
- B.) Detector On/Off Button
- C.) AC Wire Indicator LED
- D.) LCD Screen
- E.) Wall Attachment - Hanging Cone (keyhole)
- F.) Wall Attachment - Drywall Pin
- G.) Self-Leveling Laser Lines
- H.) Battery Compartment Cover (back side of unit)



For your convenience and safety, the following labels are on your laser.



### Installing the Battery

Ensure laser on/off switch (A) is in the full off position by moving laser button to "O" position. Remove the battery compartment cover (H). Insert 2 fresh 1.5 volt AA alkaline batteries making sure to match (+) and (-) terminals correctly. Replace battery compartment cover.

**WARNING:** Batteries can explode, or leak, and can cause injury or fire. To reduce this risk:

- Carefully follow all instructions and warnings on the battery label and package.
- Always insert batteries correctly with regard to polarity (+ and -), marked on the battery and the equipment.
- Do not short battery terminals.
- Do not charge batteries.
- Do not mix old and new batteries. Replace all of them at the same time with new batteries of the same brand and type.
- Remove dead batteries immediately and dispose of per local codes.
- Do not dispose of batteries in fire.
- Keep batteries out of reach of children.
- Remove batteries if the device will not be used for several months.

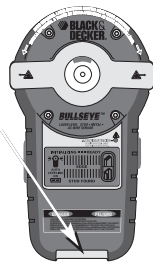
"Transporting batteries can possibly cause fires if the battery terminals inadvertently come in contact with conductive materials such as keys, coins, hand tools and the like. The US Department of Transportation Hazardous Material Regulations (HMR) actually prohibit transporting batteries in commerce or on airplanes (i.e. packed in suitcases and carryon luggage) UNLESS they are properly protected from short circuits. So when transporting individual batteries, make sure that the battery terminals are protected and well insulated from materials that could contact them and cause a short circuit."

### LOW BATTERY INDICATOR

A battery energy level indicator is displayed in the lower left hand corner of the display screen.

### Operating Instructions

**NOTE:** Detecting elements for wood and metal studs and AC Wires are located in the lower part of the unit.



### STUD DETECTION

For stud detection through up to 3/4 inch (19mm) thick drywall.

- 1). Hold unit straight up and down and place flat against wall as shown in **Figure 1**.
- 2). Press in and hold the detector on/off button (B). LCD screen (D) will light and detector will run initialization process.
- 3). READY message will appear on LCD screen and the unit will beep once to indicate it is calibrated and ready for detection.
- 4). Slide unit slowly, **Figure 2**, horizontally across surface of wall without lifting or tilting. When the STUD FOUND message appears on the LCD screen, slow down and keep sliding until EDGE message appears and beep sounds as shown in **Figure 3**. This is the stud edge. Mark this spot (at arrow on lower part of unit).
- 5). Keep moving past mark until EDGE and STUD FOUND disappear.
- 6). Continue holding detector button and reverse direction.
- 7). Find and mark other stud edge, following step 4).
- 8). Center of the stud is between marks.

### AC WIRE SENSING

Test on a known "live" AC wire before each use. For AC Detection up to 1-1/2 inches (38mm) from the surface. The sensor detects AC voltage and will identify only live wires. AC voltage detection feature works continuously when detecting studs. It assists in identifying when the sensor is near live AC wiring and detector button (B) is depressed. Once AC voltage has been detected AC wire indicator LED (C) will light.

If the unit is calibrated close to AC wire, it may decrease AC wiring sensor sensitivity. Static charge may spread detection 12 inches (30.4cm) on both sides of wire.

**WARNING:** Occasionally, pipes and electrical wiring may not be detected by this product. Observe caution when cutting or drilling into areas that may contain concealed pipes or wiring. The sensor will not detect live wires inside metal pipe or metal conduit, behind metallic wall covering, or behind some plywood or other dense materials.

Use caution if area has plywood, thick wood backing behind drywall, or thicker than normal walls.

**WARNING:** Always turn off the power when working near electrical wires, electric shock may result.

### AUTO LEVELING LASER LINES

**Operation of Laser:** Place unit flat against wall as shown in **Figure 1**. Move laser on/off button (A) to "I" position to actuate the auto leveling horizontal laser lines.

### HANGING ON DRYWALL SURFACES ONLY

**Hands Free Operation of Laser:** To hang the unit on a wall, remove the orange protective cap from the drywall pin (F) and store it on the cone as shown in **Figure 4**. Push pin into drywall (**Figure 5**). When pressing pin into drywall, make sure it is straight and seated firmly. Hang the laser on the cone as shown in **Figure 6** and check to make sure that the unit is secure on the wall. **Figure 7** illustrates a typical application for the laser when it is wall mounted.

**CAUTION:** Pin is sharp and should be handled with care. The drywall pin should always be pushed in by hand and never driven by a hammer. Replace protective cap after each use.

**NOTE:** The pin is only for use on drywall NOT other surfaces including plaster.

### HANGING ON OTHER SURFACES

**Hands Free Operation of Laser:** For surfaces other than drywall, the (key hole) hanging cone (E) can be used with a standard nail or screw in a predrilled hole. To use the keyhole hanging cone, place it over a nail or screw on a vertical surface with the narrow portion of the opening pointing upward. Push the laser onto the hanging cone until it snaps into place. To remove the laser, lift it slightly and pull it straight off. The unit can also be used with the hanging cone attached to the back and then hanging the unit on the nail or screw. Make sure it is straight and seated firmly on the cone and that the unit is secure on the wall.

**DANGER:** Laser Radiation, avoid direct eye exposure.

### Helpful Hints

- If the laser light becomes dim or is no longer visible when the switch is in the on position check or change the battery.
- The laser lines are only level on the wall against which the unit is held or hung. The short line visible on any adjacent wall is not level.
- The laser unit is a wall use tool only and only generates level lines when held against a vertical surface.
- The laser unit is equipped with a pendulum lock that stops pendulum motion when the laser on/off switch is moved to the off position.
- If the laser on/off switch is pushed part way to the on position, the laser lines may be on while the pendulum lock is still engaged.
- Hold stud sensor straight up and down.

### Helpful Hints (Con't).

- Because studs are normally spaced 16 inches or 24 inches apart and are 1-1/2 inches wide, beware of anything closer together or of a different width. Doors and windows are constructed with studs and headers which are closer together.
- When using unit over a stucco wall, place a piece of cardboard over the surface to help provide a smooth motion across the wall.
- **Avoid materials which have inconsistent density such as:**
  - Carpeting and padding
  - Ceramic floor tile
  - Wallpaper containing metallic foils or fibers. Generally, surfaces covered with regular wallpaper or fabric will scan with no difference in function.
  - Walls that are freshly painted and are still damp.
  - Excessively thick plaster and lath.

## TROUBLESHOOTING

Problem	Possible Cause	Solution
• Unit not detecting any studs in search area.	• Weak battery. • Nothing to detect in that area. • Check mode. May have been calibrated over a stud.	• Replace with fresh battery. • Start again moving farther to either side.
• Unit found too many studs in search area.	• Detects other objects besides studs. • Electrical wiring and metal or plastic pipes may be near or touching back surface of wall.	• Because studs are normally spaced 16 inches or 24 inches apart and are 1-1/2 inches wide, beware of anything closer together or of a different width.
• Laser does not project on wall.	• Weak battery. • The self leveling range of the unit is +/-5 degrees, if the unit is not held within 5 degrees of vertical, the laser lines will not project on wall.	• Replace with fresh battery. • Be sure that the unit is as straight up and down as possible.
• Laser projects on wall but lines are not level.	• Wall on which the unit is mounted or held must be within +/- 5 degrees of vertical for the self leveling mechanism to function correctly. If this is exceeded, the lines will still project but may not be level. • The laser on/off switch must be pushed to the full on position.	• Use the unit against vertical walls only, lines will not be level on sloped walls or other non-vertical surfaces.  • Be sure laser on/off switch is in the full on position.
• You suspect electrical wires, but do not detect any.	• Weak battery. • If wires are shielded behind metallic wall coverings, or in metal conduit, the sensor will not be able to detect them. • The wires may not be "live". • Wires may be too deep to sense. • Use caution if area has plywood, thick wood backing behind drywall, or thicker than normal walls.	• Replace with fresh battery. • If a switch controls an outlet, make sure the it is ON for detection.

**WARNING:** Always turn off the power when working near electrical wires.

### Storage

Always store this product indoors and in its protective case.

### Maintenance

Use only mild soap and damp cloth to clean the tool. Never let any liquid get inside the tool; never immerse any part of the tool into a liquid.

**IMPORTANT:** To assure product SAFETY and RELIABILITY, repairs, maintenance and adjustment (other than those listed in this manual) should be performed by authorized service centers or other qualified service organizations, always using identical replacement parts.

### Accessories

Recommended accessories for use with your tool are available from your local dealer or authorized service center. If you need assistance regarding accessories, please call: **1-800-544-6986**.

**WARNING:** The use of any accessory not recommended for use with this tool could be hazardous.

### SERVICE INFORMATION

All Black & Decker Service Centers are staffed with trained personnel to provide customers with efficient and reliable power tool service. Whether you need technical advice, repair, or genuine factory replacement parts, contact the Black & Decker location nearest you. To find your local service location, refer to the yellow page directory under "Tools—Electric" or call: **1-800-544-6986** or visit [www.blackanddecker.com](http://www.blackanddecker.com)

### FULL TWO-YEAR HOME USE WARRANTY

Black & Decker (U.S.) Inc. warrants this product for two years against any defects in material or workmanship. The defective product will be replaced or repaired at no charge in either of two ways.

The first, which will result in exchanges only, is to return the product to the retailer from whom it was purchased (provided that the store is a participating retailer). Returns should be made within the time period of the retailer's policy for exchanges (usually 30 to 90 days after the sale). Proof of purchase may be required. Please check with the retailer for their specific return policy regarding returns that are beyond the time set for exchanges.

The second option is to take or send the product (prepaid) to a Black & Decker owned or authorized Service Center for repair or replacement at our option. Proof of purchase may be required. Black & Decker owned and authorized Service Centers are listed under "Tools-Electric" in the yellow pages of the phone directory.

This warranty does not apply to accessories. This warranty gives you specific legal rights and you may have other rights which vary from state to state or province to province. Should you have any questions, contact the manager of your nearest Black & Decker Service Center. This product is not intended for commercial use.

**FREE WARNING LABEL REPLACEMENT:** If your warning labels become illegible or are missing, call **1-800-544-6986** for a free replacement.

**LATIN AMERICA:** This warranty does not apply to products sold in Latin America. For products sold in Latin America, check country specific warranty information contained in the packaging, call the local company or see the website for warranty information.

### TECHNICAL SPECIFICATIONS OF LASER LEVEL:

Laser Diode Wavelength:	650 ± 5 nm (red color)
Laser Class:	Class IIIa
Working Range:	Up to 20 feet (depends on light conditions)
Leveling Accuracy:	±1/8 inch (3 mm) @ 10 feet (3 m)
Auto Leveling Range:	±4.5°
Auto Leveling Lines Settling Time:	<5 sec
Batteries:	2 AA Alkaline (included)
Voltage:	3 Volt
Operating Temperature:	50°F (10°C)- 104° F (40°C)

Imported by  
Black & Decker (U.S.) Inc.,  
701 E. Joppa Rd.  
Towson, MD 21286 U.S.A.



See 'Tools-Electric' - Yellow Pages - for Service & Sales



# LASER À MISE À NIVEAU AUTOMATIQUE, À BULLSEYE<sup>MC</sup> / MONTANTS EN BOIS OU EN METAL/DÉTECTEUR DE FILS C.A.

## GUIDE D'UTILISATION

No de catalogue BDL190S

Merci d'avoir choisi Black & Decker!  
Consulter le site Web  
[www.BlackandDecker.com/NewOwner](http://www.BlackandDecker.com/NewOwner)  
pour enregistrer votre nouveau produit.

### À LIRE AVANT DE RETOURNER CE PRODUIT POUR QUELQUE RAISON QUE CE SOIT :

Si des questions ou des problèmes surgissent après l'achat d'un produit Black & Decker, consulter le site Web

[HTTP://WWW.BLACKANDDECKER.COM/INSTANTANSWERS](http://www.blackanddecker.com/instantanswers)

pour obtenir des réponses instantanément 24 heures par jour.

Si la réponse est introuvable ou en l'absence d'accès à Internet, composer le 1-800-544-6986 de 8 h à 17 h HNE, du lundi au vendredi, pour parler avec un agent.

Prière d'avoir le numéro de catalogue sous la main lors de l'appel.

**AVERTISSEMENT** : S'assurer de lire et de comprendre toutes les directives. Ne pas suivre les directives figurant ci-après peut causer un choc électrique, un incendie et des blessures corporelles graves.

### CONSERVER CES DIRECTIVES

#### Directives de sécurité

- Ne pas faire fonctionner le laser dans un milieu déflagrant, comme en présence de liquides, de gaz ou de poussières inflammables.
- Utiliser uniquement le laser avec les piles spécifiquement conçues à cet effet. L'utilisation de tout autre bloc-piles risque de causer un incendie.
- Ranger le laser inutilisé hors de la portée des enfants et des personnes sans expérience. Les lasers sont dangereux entre les mains d'utilisateurs inexpérimentés.
- N'utiliser que les accessoires conseillés par le fabricant pour le modèle de votre outil. Les accessoires adaptés à un laser donné peuvent être dangereux lorsqu'ils sont utilisés avec un autre laser.
- Ne pas utiliser d'outils optiques comme un télescope ou un théodolite pour regarder le faisceau laser. Il peut en résulter des blessures graves aux yeux.
- Ne pas mettre le laser dans une position où une personne pourrait fixer du regard le faisceau laser, intentionnellement ou non. Il peut en résulter des blessures graves aux yeux.
- Éteindre le laser lorsqu'il n'est pas utilisé. Laisser le laser allumé augmente le risque de fixer du regard le faisceau laser.
- Les réparations et l'entretien de l'outil DOIVENT uniquement être effectués par un établissement de réparation professionnel. Toute réparation réalisée par du personnel non qualifié pourrait entraîner des blessures graves.
- AVERTISSEMENT** : NE PAS DÉMONTÉ LE LASER. Aucune pièce à l'intérieur ne peut être réparée par l'utilisateur. Le démontage du laser annulera toutes les garanties du produit. Ne modifier le produit en aucun cas. Le fait de modifier l'outil peut causer une exposition dangereuse au rayonnement laser.
- Ne pas utiliser le laser près des enfants et ne pas laisser les enfants utiliser le laser. Il peut en résulter des blessures graves aux yeux.
- Ne pas enlever ni altérer les étiquettes de mises en garde. Enlever les étiquettes accroît le risque d'exposition au rayonnement.
- Bien positionner le laser. Le laser risque d'être endommagé ou de causer des blessures graves en cas de chute.
- MISE EN GARDE** : Il peut arriver occasionnellement que les tuyaux et les câblages électriques ne soient pas détectés par ce produit. Le détecteur ne repèrera pas les fils sous tension logés dans un tuyau ou un conduit métallique, derrière un revêtement mural métallique ou derrière du contreplaqué ou tout autre matériau dense.
- MISE EN GARDE** : Les résultats de détection dépendent de l'épaisseur et du type de matériau, de la teneur en humidité et d'autres variables. Le détecteur peut repérer les câblages électriques ou les tuyaux de la même façon que les montants sont détectés selon leur emplacement relativement à la surface du mur. Être prudent pour le perçage, le clouage ou la coupe dans les murs, les planchers et les plafonds pouvant contenir des câblages électriques ou des tuyaux. Ces composants peuvent être détectés par le détecteur de la même façon que les montants. Les montants étant généralement espacés de 406 mm (16 po) ou de 610 mm (24 po) et présentent une largeur habituelle de 36 mm (1 1/2 po), être prudent pour tout ce qui est moins espacé ou de largeur différente. **Toujours effectuer une mise hors tension au moment de travailler près des fils électriques.**
- MISE EN GARDE** : L'utilisation de commandes ou de réglages ou de l'exécution de procédures autres que celles précisées dans la présente peut entraîner une exposition dangereuse au rayonnement laser.
- Ce produit est conçu pour une utilisation dans une plage de températures variant de 10° C (50° F) à 40° C (104° F).

#### Affichage à cristaux liquides (Premiers soins)

- Si des cristaux liquides entrent en contact avec la peau : Laver complètement la zone affectée avec beaucoup d'eau. Retirer les vêtements contaminés.
- En cas de contact oculaire avec les cristaux liquides : Rincer l'oeil touché à l'eau propre, puis obtenir des soins médicaux.
- En cas d'ingestion de cristaux liquides : Rincer la bouche à l'eau. Boire de grandes quantités d'eau, puis faire vomir. Obtenir ensuite des soins médicaux.

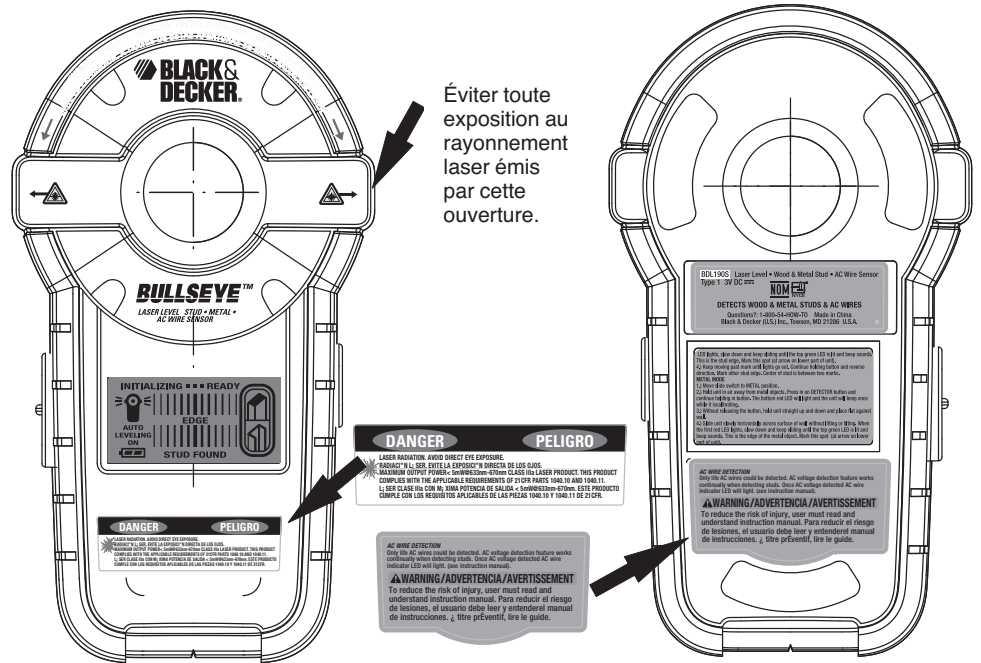
L'étiquette apposée sur l'outil peut afficher les symboles suivants :

V .....volts mW .....milliwatts  
nm .....longueur d'onde exprimée en nanomètres IIIa .....laser de classe IIIa  
⚠ .....avertissement de fil c.a

### CARACTÉRISTIQUES :

- A) Interrupteur marche/arrêt du laser
- B) Bouton marche/arrêt du laser
- C) Indicateur DEL de fil c.a.
- D) Afficheur à cristaux liquides
- E) Fixation murale - cône de suspension (trou de serrure)
- F) Fixation murale – broche à cloison sèche
- G) Laser à mise à niveau automatique Raies
- H) Logement à piles Couvercle (arrière de l'outil)

Pour plus de commodité et de sécurité, les étiquettes suivantes sont apposées sur votre laser.



#### Pose de la pile

S'assurer que l'interrupteur marche/arrêt (A) est à la position d'arrêt en déplaçant le bouton du laser à la position « O ». Enlever le couvercle du logement des piles (H). Insérer 2 piles alcalines AA neuves de 1,5 V et s'assurer de bien faire correspondre les bornes (+) et (-). Remettre le couvercle du logement des piles.

**AVERTISSEMENT** : Les piles peuvent exploser ou couler et causer blessures ou incendie. Pour réduire ce risque :

- Suivre attentivement toutes les instructions et avertissements figurant sur l'étiquette et l'emballage des piles.
- Toujours insérer les piles selon la polarité correcte (+ et -), telle qu'elle est indiquée sur les piles et le matériel.
- Ne pas créer de court-circuit avec les bornes des piles.
- Ne pas recharger les piles.
- Ne pas mélanger les piles neuves et usagées. Les remplacer toutes en même temps par des piles neuves de la même marque et du même type.
- Retirer immédiatement les piles mortes et les éliminer en fonction de la réglementation locale.
- Ne pas jeter de piles au feu.
- Tenir les piles hors de la portée des enfants.
- Retirer les piles si l'appareil n'est pas utilisé pendant plusieurs mois.

Le transport des piles peut causer un incendie si les bornes des piles entrent en contact involontairement avec des matières conductrices comme des clés, de la monnaie, des outils manuels et d'autres éléments semblables. La Hazardous Material Regulation du département américain des transports interdit en fait le transport des piles pour le commerce et dans les avions (ex. : piles emballées dans des valises et des bagages à main) À MOINS qu'elles ne soient bien protégées contre les courts-circuits. Pour le transport de piles individuelles, s'assurer que les bornes sont protégées et bien isolées contre toute matière pouvant entrer en contact avec elles et causer un court-circuit.

#### Indicateur de pile faible

Un indicateur de niveau de puissance de la pile est affiché dans le coin inférieur gauche de l'écran.

#### Mode d'emploi

**REMARQUE** : Les composants de détection pour les montants en bois et en métal ainsi que pour les fils c.a. sont situés dans la partie inférieure de l'outil.

#### DÉTECTION DE MONTANTS

Pour la détection de montants se trouvant derrière une cloison sèche d'une épaisseur maximale de 19 mm (3/4 po).

- Tenir l'outil droit et le mettre à plat sur le mur comme le montre la **figure 1**.
- Enfoncer le bouton marche/arrêt (B) du détecteur. L'afficheur à cristaux liquides (D) s'allumera et le détecteur commencera le processus d'initialisation.
- Un message PRÊT apparaîtra sur l'afficheur à cristaux liquides, puis l'outil émettra un bip pour indiquer qu'il est étalonné et prêt pour la détection.
- Glisser doucement l'outil, **figure 2**, à l'horizontal, sur toute la surface du mur sans le soulever ni l'incliner. Lorsque le message MONTANT TROUVÉ apparaît sur l'afficheur à cristaux liquides, ralentir, mais continuer de glisser l'outil jusqu'à ce que le message BORD apparaisse et qu'un son soit émis comme le montre la **figure 3**. Il s'agit du bord du montant. Marquer cet endroit (à la flèche située dans la partie inférieure de l'outil).
- Dépasser le repère jusqu'à ce que les messages BORD et MONTANT TROUVÉ disparaissent.
- Ne pas relâcher le bouton du détecteur et inverser la direction.
- Trouver et marquer d'autres bords de montants, suivre l'étape 4.
- Le centre du montant se trouve entre les marques.

#### DÉTECTION DE FILS C.A.

Pour la détection de fils c.a. se trouvant derrière à 38 mm (1 1/2 po) au plus derrière la surface. Le détecteur repère la tension c.a. et identifiera uniquement les fils sous tension. La fonction détection de tension c.a. est constamment activée durant la détection de montants. Il permet d'aider en indiquant la présence de fils c.a. sous tension proches du détecteur et le fait que le bouton (B) du détecteur est enfoncé. Après la détection d'une tension c.a., l'indicateur DEL (C) de fils c.a. s'allumera.

Si l'étalonnage de l'outil est près du fil c.a., la sensibilité du détecteur peut en être réduite. La charge électrostatique peut élargir la détection de 304 mm (12 po) de chaque côté du fil.

**AVERTISSEMENT** : Il peut arriver occasionnellement que les tuyaux et les câblages électriques ne soient pas détectés par ce produit. Être prudent pour la coupe ou le perçage de sections pouvant dissimuler des tuyaux ou des câblages. Le détecteur ne repèrera pas les fils sous tension logés dans un tuyau ou un conduit métallique, derrière un revêtement mural métallique ou derrière du contreplaqué ou tout autre matériau dense.

Être prudent pour les sections composées de contreplaqué, d'appui en bois épais derrière la cloison sèche ou les murs plus épais que la normale.

**AVERTISSEMENT** : Toujours effectuer une mise hors tension au moment de travailler près des fils électriques, sinon l'utilisateur peut recevoir un choc électrique.

#### RAIES LASER À MISE À NIVEAU AUTOMATIQUE

**Fonctionnement du laser** : Mettre l'outil à plat contre le mur comme le montre la **figure 1**. Déplacer le bouton marche/arrêt (A) du laser à la position « 1 » pour déclencher les raies laser horizontales à mise à niveau automatique.

#### ACCROCHAGE UNIQUEMENT SUR UNE SURFACE DE CLOISON SÈCHE

**Fonctionnement mains libres du laser** : Pour accrocher l'outil sur le mur, enlever le capuchon de protection orange de la broche de cloison sèche (F) et le ranger sur le cône montré dans la **figure 4**. Enfoncer la broche dans la cloison sèche (**figure 5**). Pour enfoncer la broche dans la cloison sèche, s'assurer qu'elle est droite et bien appuyée. Accrocher le laser sur le cône comme le montre la **figure 6**, puis vérifier pour s'assurer que l'outil est bien fixé au mur. La **figure 7** illustre une application courante du laser fixé au mur.

**MISE EN GARDE** : La broche est tranchante et doit être manipulée avec soin. La broche de cloison sèche doit toujours être enfoncée manuellement plutôt qu'au moyen d'un marteau. Remplacer le capuchon de protection après chaque utilisation.

**REMARQUE** : La broche ne doit être utilisée que pour la cloison sèche et non pour d'autres surfaces comme le plâtre.

#### ACCROCHAGE DE L'OUTIL SUR D'AUTRES SURFACES

**Fonctionnement mains libres du laser** : Pour les surfaces autres que la surface de cloison sèche, le cône de suspension (E) (trou de serrure) peut être utilisé avec un clou ou une vis standard dans un trou déjà percé. Pour utiliser le cône de suspension (trou de serrure), le placer au-dessus d'un clou ou d'une vis, sur une surface verticale, la partie étroite de l'ouverture pointant vers l'extérieur. Pousser le laser sur le cône de suspension de manière à l'encastrement en place. Pour retirer le laser, le soulever légèrement, puis le tirer en ligne droite. L'outil peut aussi être utilisé avec le cône de suspension fixé à l'arrière. Il s'agit d'accrocher l'outil au clou ou à la vis. S'assurer qu'il est droit et bien assis sur le cône et qu'il est bien fixé au mur.

**⚠ DANGER : Rayonnement laser, éviter toute exposition directe avec les yeux.**

### Conseils utiles

- Si la lumière du laser réduit ou n'est plus visible lorsque l'interrupteur est à la position de marche, vérifier la pile ou la remplacer.
- Les raies lasers ne sont au niveau qu'avec le mur contre lequel l'appareil est tenu ou accroché. La courte raie visible sur tout mur adjacent n'est pas au niveau.
- Le laser est un outil à utilisation murale uniquement et ne produit que des raies à niveau s'il est tenu contre une surface verticale.
- Le laser est pourvu d'un dispositif de blocage à mouvement de pendule qui interrompt le mouvement de pendule lorsque l'interrupteur marche/arrêt du laser est réglé à l'arrêt.
- Si l'interrupteur marche/arrêt du laser est réglé à mi-chemin de la position de marche, les raies laser peuvent être activées alors que le dispositif de blocage du mouvement de pendule est encore engagé.
- Tenir le détecteur de montant droit, de haut en bas.
- Comme les montants sont habituellement espacés de 406 mm (16 po) ou de 610 mm (24 po) et présentent une épaisseur de 36 mm (1 1/2 po), être prudent pour tout composant moins espacé ou de largeur différente. Les portes et fenêtres sont construites avec des montants et des linteaux qui sont plus rapprochés.
- Pour utiliser l'outil sur un mur en stuc, placer un morceau de carton sur la surface pour favoriser un déplacement lisse sur le mur.
- **Éviter les matériaux présentant une densité irrégulière, notamment :**
  - Tapis et rembourrage
  - Carreaux de céramique pour planchers
  - Papier peint composé de feuilles ou de fibres métalliques. Habituellement, les surfaces recouvertes d'un papier peint ou d'un tissu lisse seront lues sans que l'outil ne présente un fonctionnement différent.
  - Les murs fraîchement peints et encore humides.
  - Plâtre ou latte très épais.

## GUIDE DE DÉPANNAGE

Problème	Cause probable	Solution
• L'outil ne détecte aucun montant dans la section de recherche.	• Pile faible. • Rien à détecter dans cette section. • Mode de vérification. Peut avoir été étalonné sur un montant.	• Remplacer la pile par une neuve. • Recommencer en déplaçant l'outil plus loin d'un côté ou l'autre.
• L'outil détecte trop de montants dans la section de recherche.	• D'autres objets que les montants sont détectés. • Un câblage électrique et des tuyaux métalliques ou en plastique peuvent être à proximité ou en contact avec la surface d'appui du mur.	Les montants étant généralement espacés de 406 mm (16 po) ou de 610 mm (24 po) et présentent une largeur habituelle de 38 mm (1 1/2 po), être prudent pour tout ce qui est moins espacé ou de largeur différente.
• Le laser n'effectue pas de projection sur le mur.	• Pile faible. • La plage de mise à niveau automatique de l'outil correspond à +/- 5 degrés; donc, si l'outil n'est pas tenu à la verticale selon un angle de 5 degrés, les raies laser ne seront pas projetées sur le mur.	• Remplacer la pile par une neuve. • S'assurer que l'outil est aussi droit que possible en haut et en bas.
• Laser effectue une projection sur le mur, mais les raies ne sont pas au niveau.	• Le mur sur lequel l'outil est monté ou tenu doit correspondre à un angle de +/- 5 degrés à la verticale pour que le mécanisme de mise à niveau automatique fonctionne correctement. Si l'angle est plus prononcé, les raies seront tout de même projetées, mais risquent de ne pas être à niveau. • L'interrupteur marche/arrêt du laser doit être complètement réglé à la position de marche.	• Utiliser l'outil contre les murs verticaux seulement, les raies ne seront pas au niveau sur des murs en pente ou sur toute surface non verticale.  • S'assurer que l'interrupteur marche/arrêt du laser est complètement réglé à la position d'arrêt.
• Un doute est émis sur la présence possible de fils électrique, mais l'outil n'en détecte aucun.	• Pile faible. • Si les fils sont blindés derrière un revêtement mural métallique où s'ils sont logés dans un conduit métallique, le détecteur ne sera pas en mesure de les détecter. • Il est possible que les fils ne soient pas sous tension. • Les fils peuvent être situés trop loin du mur pour les détecter. • Être prudent pour les sections composées de contreplaqué, d'appui en bois épais derrière la cloison sèche ou les murs plus épais que la normale.	• Remplacer la pile par une neuve. • En présence d'un interrupteur qui commande une prise, s'assurer qu'il est réglé à la position de marche pour la détection.

**⚠ AVERTISSEMENT : Toujours effectuer une mise hors tension au moment de travailler près des fils électriques.**

### Rangement

Toujours ranger le produit à l'intérieur et dans son boîtier de protection.

### Entretien

N'utiliser qu'un détergent doux et un chiffon humide pour nettoyer l'outil. Ne jamais laisser de liquide pénétrer dans l'outil et n'immerger aucune partie de l'outil dans un liquide.

**IMPORTANT :** Pour garantir la SÉCURITÉ et la FIABILITÉ du produit, les réparations, l'entretien et le réglage (autre que ceux énumérés dans ce manuel) doivent être réalisés par un centre de réparation autorisé ou tout autre centre de réparation professionnel, et les des pièces de rechange identiques doivent être utilisées.

### Accessoires

Les accessoires recommandés pouvant être utilisés avec l'outil sont disponibles auprès de votre distributeur local ou centre de réparation autorisé. Pour tout renseignement concernant les accessoires, composer le : **1 800 544-6986 (1-800-54-HOW-TO)**.

**⚠ AVERTISSEMENT :** L'utilisation de tout accessoire non recommandé avec cet outil pourrait s'avérer dangereuse.

### INFORMATION SUR LES RÉPARATIONS

Tous les centres de réparation Black & Decker sont dotés de personnel qualifié en matière d'outillage électrique; ils sont donc en mesure d'offrir à leur clientèle un service efficace et fiable. Que ce soit pour un avis technique, une réparation ou des pièces de rechange authentiques installées en usine, communiquer avec l'établissement Black & Decker le plus près de chez vous. Pour trouver l'établissement de réparation de votre région, consulter le répertoire des Pages jaunes à la rubrique « Outils électriques » ou composer le numéro suivant : **1-800-544-6986** ou consulter le site **www.blackanddecker.com**

### GARANTIE COMPLÈTE DE DEUX ANS POUR UNE UTILISATION DOMESTIQUE

Black & Decker (É.-U.) Inc. garantit ce produit pour une durée de deux ans contre tout défaut de matériau ou de fabrication. Le produit défectueux sera remplacé ou réparé sans frais de l'une des deux façons suivantes :

La première façon consiste en un simple échange chez le détaillant qui l'a vendu (pourvu qu'il s'agisse d'un détaillant participant). Tout retour doit se faire durant la période correspondant à la politique d'échange du détaillant (habituellement, de 30 à 90 jours après l'achat). Une preuve d'achat peut être requise. Vérifier auprès du détaillant pour connaître sa politique concernant les retours hors de la période définie pour les échanges.

La deuxième option est d'apporter ou d'envoyer le produit (transport payé d'avance) à un centre de réparation autorisé ou à un centre de réparation de Black & Decker pour faire réparer ou échanger le produit, à notre discrétion. Une preuve d'achat peut être requise. Les centres Black & Decker et les centres de service autorisés sont répertoriés dans les pages jaunes, sous la rubrique « Outils électriques ».

Cette garantie ne s'applique pas aux accessoires. Cette garantie vous accorde des droits légaux spécifiques et vous pourriez avoir d'autres droits qui varient d'un État ou d'une province à l'autre. Pour toute question, communiquer avec le directeur du centre de réparation Black & Decker le plus près de chez vous. Ce produit n'est pas destiné à un usage commercial.

**REPLACEMENT GRATUIT DES ÉTIQUETTES D'AVERTISSEMENT :** si les étiquettes d'avertissement deviennent illisibles ou sont manquantes, composer le **1-800-544-6986** pour en obtenir le remplacement gratuit.

### CARACTÉRISTIQUES TECHNIQUES DU NIVEAU LASER :

Longueur d'onde de la diode du laser :	650 ± 5 nm (couleur rouge)
Classe du laser :	Classe IIIa
Plage de fonctionnement : l'éclairage)	Jusqu'à 6,1 m (20 pi) (selon
Précision de la mise à niveau :	± 3 mm (1/8 po) @ 3 m (10 pi)
Plage de mise à niveau automatique :	±4.5°
Réglage de la durée, raies à mise à niveau automatique :	<5 sec
Piles :	2 AA alcalines (incluses)
Tension :	3 V
Température de fonctionnement :	10 °C (50 °F) – 40 °C (104 °F)

Imported by / Importé par  
Black & Decker Canada Inc.  
100 Central Ave.  
Brockville (Ontario) K6V 5W6

**Voir la rubrique "Outils électriques" des Pages Jaunes pour le service et les ventes.**



## NIVEL LÁSER AUTONIVELANTE BULLSEYE<sup>MC</sup>/DETECTOR DE CLAVOS DE MADERA Y METAL/CABLES ELÉCTRICOS DE CA

# MANUAL DE INSTRUCCIONES

No. Catálogo BDL190S

**Gracias por elegir Black & Decker!  
Visite [www.BlackandDecker.com/NewOwner](http://www.BlackandDecker.com/NewOwner)  
para registrar su nuevo producto.**

## LEA EL MANUAL ANTES DE DEVOLVER ESTE PRODUCTO POR CUALQUIER MOTIVO:

Si tiene una consulta o algún inconveniente con su producto Black & Decker, visite **HTTP://WWW.BLACKANDDECKER.COM/INSTANTANSWERS**

para obtener respuestas instantáneas las 24 horas del día.

Si no encuentra la respuesta o no tiene acceso a Internet, llame al 1-800-544-6986 de lunes a viernes de 8 a.m. a 5 p.m. hora del Este para hablar con un agente.

Quando llame, tenga a mano el número de catálogo.

**⚠ ADVERTENCIA: Lea y comprenda todas las instrucciones.** El incumplimiento de todas y cada una de las instrucciones enumeradas debajo puede provocar descarga eléctrica, incendio o daños personales serios.

### CONSERVE ESTAS INSTRUCCIONES

### Instrucciones de seguridad

- No opere el láser en atmósferas explosivas, como ambientes donde se encuentran líquidos, gases o polvo inflamables.
- Utilice el láser únicamente con las baterías recomendadas específicamente. El uso de cualquier otra fuente de energía puede producir riesgo de incendio.
- Guarde el láser fuera del alcance de los niños y de personas no entrenadas. El láser es peligroso en las manos de usuarios no entrenados.
- Utilice sólo accesorios recomendados por el fabricante para el modelo que posee. Los accesorios correctos para un láser pueden provocar riesgo de lesiones si se utilizan con otro láser.
- No utilice herramientas ópticas, como por ejemplo un telescopio o un teodolito para ver el rayo láser. Podría provocar lesiones oculares graves.
- No ubique el láser en una posición que pueda provocar que alguien intencional o no intencionalmente fije su vista en el rayo láser. Podría provocar lesiones oculares graves.
- Apague el láser cuando no esté en uso. Dejar encendido el láser aumenta el riesgo de fijar la vista en el rayo láser.
- Las reparaciones y el mantenimiento DEBEN ser realizados por un centro de reparaciones calificado. Las reparaciones realizadas por personal no calificado pueden provocar lesiones graves.
- **⚠ ADVERTENCIA: NO DESARME EL LÁSER.** No contiene elementos a los que el usuario pueda hacerles mantenimiento. Si desarma el láser, se anularán todas las garantías del producto. No modifique el producto de ninguna manera. La modificación de la herramienta podría provocar exposición a radiación láser peligrosa.
- No opere el láser con niños alrededor ni permita que los niños operen el láser. Podría provocar lesiones oculares graves.
- No retire ni borre las etiquetas de advertencia. El retiro de las etiquetas aumenta el riesgo de exposición a radiación.
- Coloque el láser de forma segura. Si el láser se cae, puede dañarse o provocar lesiones graves.
- **⚠ PRECAUCIÓN :** En ocasiones, es posible que este producto no detecte tuberías ni cableado eléctrico. El detector no detectará cables dentro de tuberías o conductores metálicos, detrás de revestimientos de pared metálicos o detrás de madera contrachapada u otros materiales compactos.
- **⚠ PRECAUCIÓN :** El espesor del material, el tipo de material, el contenido de humedad y otras variables pueden afectar los resultados de la detección. El detector puede detectar cableado eléctrico o tuberías de la misma forma que los clavos en función de su ubicación en la superficie de la pared. Tenga precaución al taladrar, clavar o cortar paredes, pisos y techos que puedan contener cableado eléctrico o tuberías. Estos artículos pueden ser detectados por el detector de la misma forma que los clavos. Dado que los clavos se encuentran normalmente a una distancia de 406 mm (16 pulgadas) o 610 mm (24 pulgadas) y, por lo general, tienen un ancho de 38 mm (1 1/2 pulgadas), tenga en cuenta cualquier objeto que esté más cerca o que tenga un ancho diferente. Siempre desconecte la energía al trabajar cerca de cableado eléctrico.
- **⚠ PRECAUCIÓN :** La utilización de controles o ajustes o la realización de procedimientos diferentes a los especificados en este manual podrían provocar el riesgo de exposición a radiación láser.
- Este producto está diseñado para utilizar con temperaturas entre 10°C (50°F) y 40°C (104°F).



**⚠ ADVERTENCIA: Siempre desconecte la energía al trabajar cerca de cableado eléctrico.**

## Almacenamiento

Siempre guarde este producto adentro y en su caja de protección.

## Mantenimiento

Para limpiar la herramienta, sólo utilice jabón suave y un paño húmedo. Nunca permita que penetre líquido dentro de la herramienta y nunca sumerja ninguna de las piezas en un medio líquido.

**IMPORTANTE:** Para garantizar la SEGURIDAD y CONFIABILIDAD del producto, las reparaciones, el mantenimiento y los ajustes (los que no estén enumerados en este manual) se deben realizar en los centros de mantenimiento autorizados o en otras organizaciones de mantenimiento calificadas, utilizando siempre piezas de repuesto idénticas.

## Accesorios

Los accesorios que se recomiendan para la herramienta están disponibles en su distribuidor local o en el centro de mantenimiento autorizado. Si necesita ayuda con respecto a los accesorios, llame al **(55)5326-7100**.

**⚠ ADVERTENCIA:** El uso de accesorios no recomendados para utilizar con esta herramienta puede resultar peligroso.

## INFORMACIÓN DE MANTENIMIENTO

Todos los Centros de servicio de Black & Decker cuentan con personal altamente capacitado dispuesto a brindar a todos los clientes un servicio eficiente y confiable en la reparación de herramientas eléctricas. Si necesita consejo técnico, reparaciones o piezas de repuesto originales de fábrica, póngase en contacto con el centro de servicio de Black & Decker más cercano a su domicilio. Para ubicar su centro de servicio local, consulte la sección "Herramientas eléctricas" (Tools-Electric) de las páginas amarillas, llame al **1-800-544-6986** o visite nuestro sitio **www.blackanddecker.com**.

## GARANTÍA COMPLETA DE DOS AÑOS PARA USO EN EL HOGAR

Black & Decker (Estados Unidos) Inc. ofrece una garantía de dos años por cualquier defecto del material o de fabricación de este producto. El producto defectuoso se reparará o reemplazará sin costo alguno de dos maneras.

La primera opción, el reemplazo, es devolver el producto al comercio donde se adquirió (siempre y cuando se trate de un comercio participante). Las devoluciones deben realizarse conforme a la política de devolución del comercio (generalmente, entre 30 y 90 días posteriores a la venta). Le pueden solicitar comprobante de compra. Consulte en el comercio acerca de la política especial sobre devoluciones una vez excedido el plazo establecido.

La segunda opción es llevar o enviar el producto (con flete pago) a un Centro de servicio propio o autorizado de Black & Decker para su reparación o reemplazo según nuestro criterio. Le pueden solicitar el comprobante de compra. Los Centros de servicio autorizados y de propiedad de Black & Decker se detallan en la sección

"Herramientas eléctricas" (Tools-Electric) de las páginas amarillas de la guía telefónica.

Esta garantía no se extiende a los accesorios. Esta garantía le concede derechos legales específicos; usted puede tener otros derechos que pueden variar según el estado o la provincia. Si tiene alguna pregunta, comuníquese con el gerente del Centro de servicio de Black & Decker de su zona. Este producto no está diseñado para uso comercial.

**AMÉRICA LATINA:** esta garantía no se aplica a los productos que se venden en América Latina. Para los productos que se venden en América Latina, debe consultar la información de la garantía específica del país que viene en el empaque, llamar a la compañía local o visitar el sitio Web a fin de obtener esa información.

## ESPECIFICACIONES TÉCNICAS DEL NIVEL DE LÁSER:

Longitud de ondas de diodo del láser:	650 ± 5 nm (color rojo)
Clase de láser:	Clase IIIa
Rango de funcionamiento:	Hasta 20 pies (depende de las condiciones de luz)
Precisión de la nivelación:	3 mm (±1/8 pulgada) a 3 m (10 pies)
Escala de autonivelación:	±4.5°
Tiempo de configuración de las líneas de autonivelación:	< 5 segundos
Baterías:	2 baterías alcalinas AA (incluidas)
Voltaje:	3 voltios
Temperatura de funcionamiento:	10°C (50°F) - 40°C (104°F)

## · GARANTÍA BLACK & DECKER · BLACK & DECKER WARRANTY · SOLAMENTE PARA PROPOSITOS DE MEXICO

Distributor Name · **Sello firma del distribuidor**

Date of purchase · **Fecha de compra** **Invoice No. · No. de factura**

## PRODUCT INFORMATION · IDENTIFICACIÓN DEL PRODUCTO

Cat. No. · **Catalogo ó Modelo** **Serial Number · No. de serie**

Name · **Nombre** **Last Name · Apellido**

Address · **Dirección**

City · **Ciudad** **State · Estado**

Postal Code · **Código Postal** **Country · País**

Telephone · **No. Teléfono**

## 2 AÑOS DE GARANTIA

Este producto cuenta con dos años de garantía a partir de la fecha de compra contra cualquier defecto de su funcionamiento, así como cualquier falla debido a materiales empleados para su fabricación ó mano de obra defectuosa.

Nuestra garantía incluye la reparación o reposición del producto y/o componentes sin cargo alguno para el cliente incluyendo la mano de obra, esta incluye los gastos de trasportación erogados para lograr cumplimiento de esta garantía en los domicilios diversos señalados.

Para hacer efectiva esta garantía deberá presentar su herramienta y esta póliza sellada por el establecimiento comercial donde se adquirió el producto.

Nos comprometemos a entregar el producto en un lapso no mayor a 30 días hábiles contados a partir de la fecha de recepción del mismo en nuestros talleres de servicio autorizados.

## ESTA GARANTIA NO APLICA CUANDO:

El producto se hubiese utilizado en condiciones distintas a las normales.

El producto no hubiese sido operado de acuerdo con el instructivo de uso que se acompaña.

El producto hubiese sido alterado o reparado por personas no autorizadas por nosotros

Importador: Black & Decker S.A. de .C.V  
Bosque de Cidros Acceso Radiatas No.42  
3ra.Seccion de Bosques de las lomas  
C.P.05120, Mexico, D.F. Tel: (01 55) 5326 7100

## SOLAMENTE PARA PROPOSITOS DE MEXICO

### Grupo Realsa en herramientas, S.A. de C.V.

Súper Manzana 69 MZ.01 Lote 30  
(Av. Torcasita)  
Col. Puerto Juárez  
Cancún, Quintana Roo  
Tel. 01 998 884 72 27

### Ferre Pat de Puebla, S.A. de C.V.

16 de Septiembre No. 6149  
Col. El Cerrito  
Puebla, Puebla  
Tel. 01 222 264 12 12

### Ferre Pat de Puebla, S.A. de C.V.

Ejército Mexicano No. 15  
Col. Ejido 1ro. de Mayo  
Boca del Rio, Veracruz  
Tel. 01 229 167 89 89

### Servicio de Fabrica Black & Decker, S.A. de C.V.

Lázaro Cardenas No. 18  
Col. Obrera  
Distrito Federal  
Tel. 55 88 95 02

### Representaciones Industriales Robles, S.A. de C.V.

Tezozomoc No. 89  
Col. La Preciosa  
Distrito Federal  
Tel. 55 61 86 82

### Gpo. Comercial de Htas. y Refacciones de Occidente, S.A. de C.V.

Av. La Paz No. 1779  
Col. Americana, S. Juaréz  
Guadalajara, Jalisco  
Tel. 01 33 38 25 69 78

**PARA OTRAS LOCALIDADES LLAME AL 01 800 847 2309 o 01 800 847 2312.**

**Vea "Herramientas  
eléctricas (Tools-Electric)"**

**- Páginas amarillas -  
para Servicio y ventas**



BLACK & DECKER S.A. DE C.V.  
BOSQUES DE CIDROS ACCESO RADIATAS NO. 42  
COL. BOSQUES DE LAS LOMAS.  
05120 MÉXICO, D.F.  
TEL. (01 55) 5326 7100  
01 800 847 2309/01 800 847 2312

## Epecificaciones

### BDL190S

Tensión de alimentación 3V

## Free Manuals Download Website

<http://myh66.com>

<http://usermanuals.us>

<http://www.somanuals.com>

<http://www.4manuals.cc>

<http://www.manual-lib.com>

<http://www.404manual.com>

<http://www.luxmanual.com>

<http://aubethermostatmanual.com>

Golf course search by state

<http://golfingnear.com>

Email search by domain

<http://emailbydomain.com>

Auto manuals search

<http://auto.somanuals.com>

TV manuals search

<http://tv.somanuals.com>