



Multi Purpose Kitchen Machine



First Use Safety Recommendation

Please read through this booklet for safe and efficient use of the appliance. We urge you to read the "Hint's" section and also follow all detailed instructions even if you are familiar with using this appliance.

Keep this guide handy for future reference.

English Page 02

Arabic Page 25

PRSM600

IMPORTANT SAFEGUARDS

While using electrical appliances, in order to reduce the risk of fire, electric shock, and/or injury to persons, basic safety precautions should be followed, including the following:

- Read all instructions carefully, even if you are familiar with the appliance.
- To protect against the risk of electric shock, **DO NOT IMMERGE** the appliance, cord set or plug in water or other liquids.
- To clean, wipe the exterior with a damp cloth.
- Close supervision is necessary when any appliance is used near children. Never leave an appliance unattended when in use.
- If the supply cord is damaged, it must be replaced by the manufacturer or its service agent or a similarly qualified person in order to avoid a hazard.
- Switch off and remove the plug from the power outlet when not in use before assembling or disassembling parts, cleaning or carrying out any maintenance of the appliance. Never pull the cord while unplugging out from power outlet.
- Do not operate the appliance if its damaged in any manner. Return the complete appliance to your nearest authorized service facility for examination, electrical repair, mechanical repair or adjustments to avoid any hazard.
- The use of attachments or accessories not recommended or sold by this appliance manufacturer may result in fire, electric shock or personal injury.
- Do not let the cord hang over the edge of a table, counter, or touch hot surfaces.
- Avoid touching hot surfaces, use handles and knobs.
- Do not operate or place any part of this appliance on or near any hot surfaces (such as gas or electric burner or in a heated oven).
- Do not abuse the cord. Never carry the appliance by the cord or yank it to disconnect it from the outlet; instead, grasp the plug and pull to disconnect.
- When using an extension cord with your appliance, make sure the extension cord is correctly wired, and rated for its use.
- This product is intended for household use only.
- Do not attempt to repair the appliance yourself; instead, take it to your Black & Decker-owned or Authorized Service Centre for repair.

SAVE THESE INSTRUCTIONS

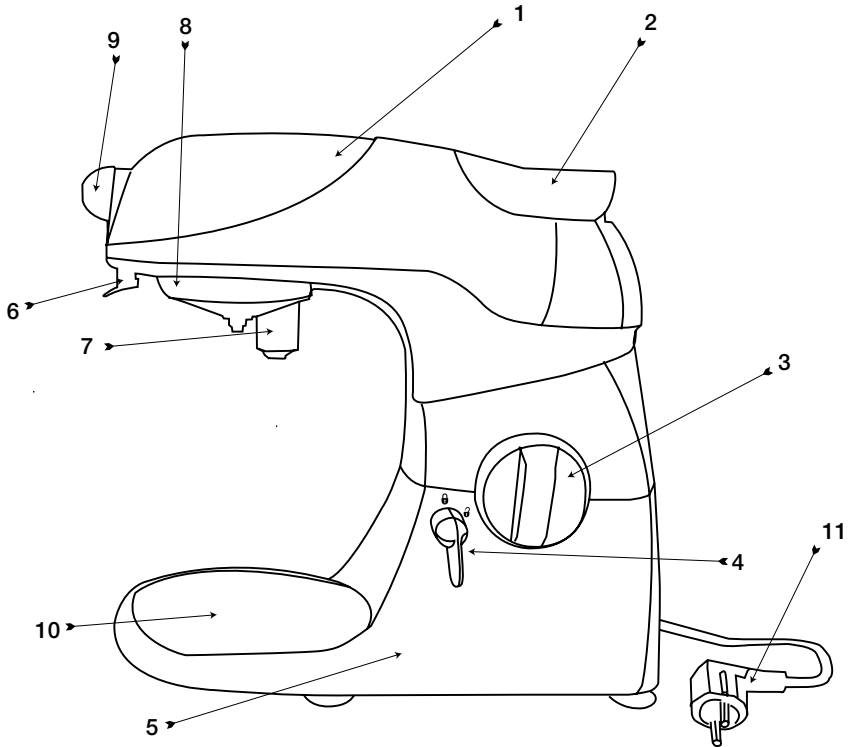


Fig A

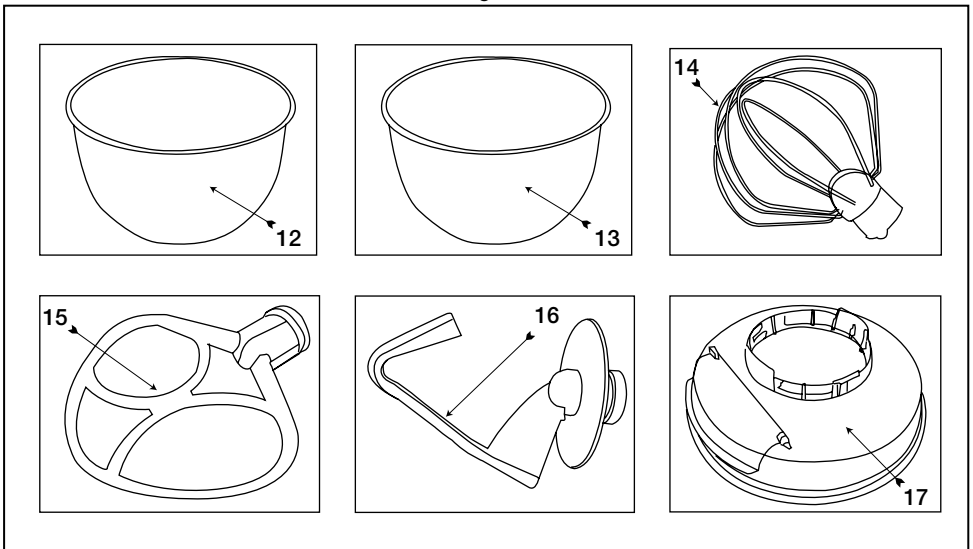


Fig B

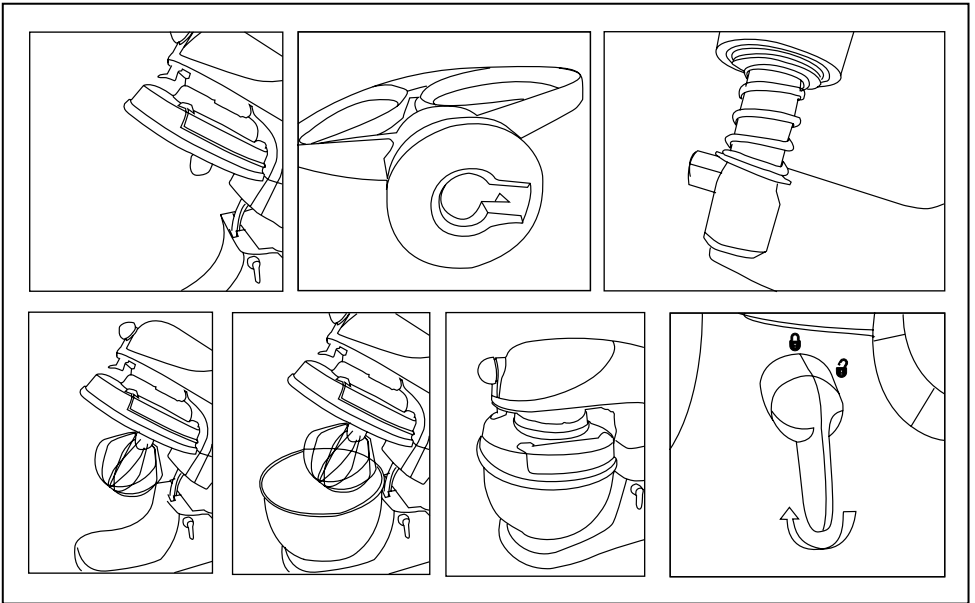


Fig C

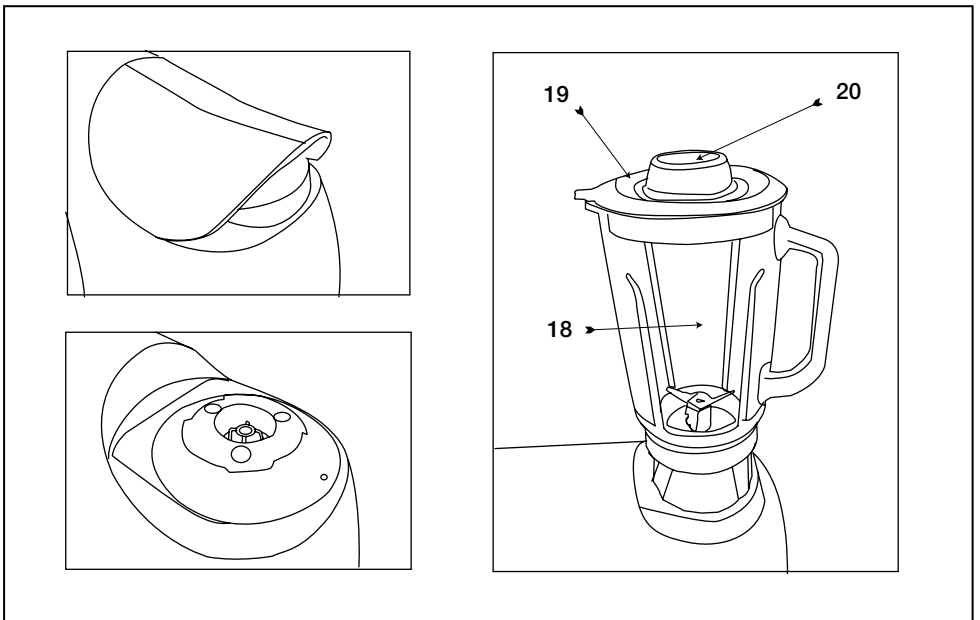


Fig D

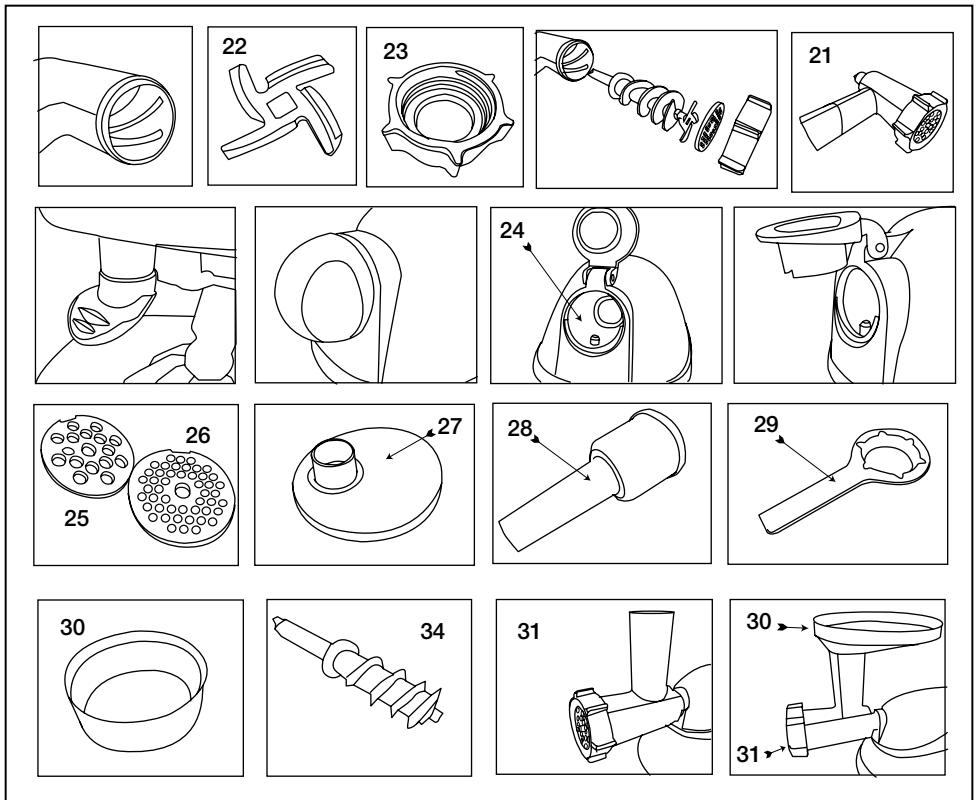


Fig E

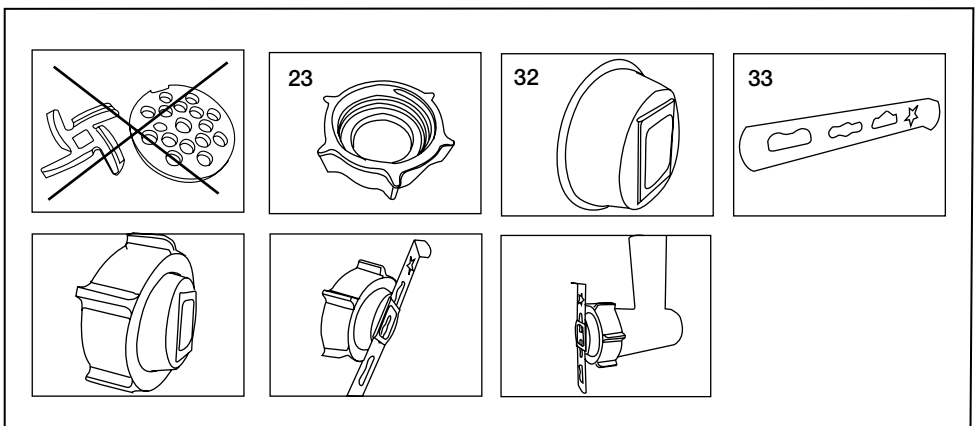
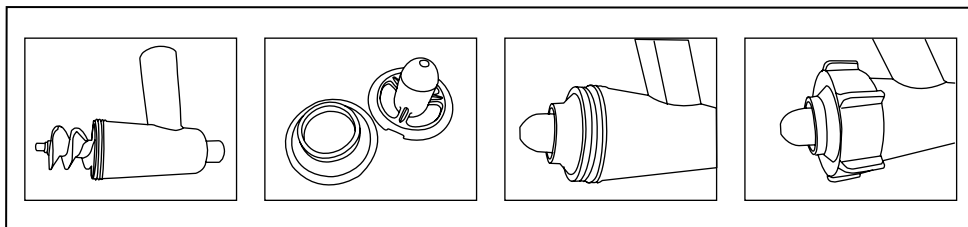


Fig F



Intended use

Your Black & Decker stand mixer has been designed for blending and mixing food and beverage ingredients. With the attachments provided, it is also possible to mince ingredients & extrude cookie dough into various shapes. Do not use this appliance for any other purpose.

This product is intended for household use only.

Safety instructions

Warning! When using mains-powered appliances, basic safety precautions, including the following, should always be followed to reduce the risk of fire, electric shock, personal injury and material damage.



Read all of this manual carefully before using the appliance.

- The intended use is described in this manual. The use of any accessory or attachment or the performance of any operation with this appliance other than those recommended in this instruction manual may present a risk of personal injury.
- Retain this manual for future reference.
- Always protect the motor unit from water or excessive humidity.
- Do not operate the appliance if your hands are wet.
- Do not operate the appliance if you are barefoot.
- Do not touch moving parts. Keep long hair and loose clothing out of the way of the moving parts.
- Guide the power supply cord neatly so it does not hang over the edge of a work top and cannot be caught accidentally or tripped over.
- Never pull the power supply cord to disconnect the plug from the socket. Keep the power supply cord away from heat, oil and sharp edges.
- Switch off and wait for the motor to stop running before disconnecting the appliance from the power supply.
- Never detach any part or accessory while the appliance is still connected to the power supply. Always disconnect the appliance from the power supply first.
- If the power supply cord is damaged during use, disconnect the appliance from the power supply immediately. Do not touch the power supply cord before disconnecting from the power supply.
- Disconnect the appliance from the power supply when not in use, before fitting or removing parts and before cleaning.
- Misuse could cause an injury.
- Keep loose clothing, hair, jewellery etc. away from moving parts.

Using your appliance

- Make sure that the appliance is switched off before connecting to or disconnecting from the power supply.
- Always take care when using the appliance.
- Do not use the appliance outdoors.

- Care is needed when handling cutting blades, especially when removing the blades and during cleaning.
- After cleaning, refit the bowl. This ensures the coupling underneath is protected.
- This appliance is fitted with overload protection. If the unit stops working, switch the unit off and remove the plug from the power supply, wait for 5 minutes then replace the plug.
- If the unit does not function please return it to your local service agent.

Safety of others

- Do not allow children or any person unfamiliar with these instructions to use the appliance.
- Do not allow children or animals to come near the work area or to touch the appliance or power supply cord. Close supervision is necessary when the appliance is used near children.
- This appliance is not intended for use by persons (including children) with reduced physical, sensory or mental capabilities, or lack of experience and knowledge, unless they have been given supervision or instruction concerning use of the appliance by a person responsible for their safety.
- Children must be supervised to make sure that they do not play with the appliance.

After use

- Switch off the appliance before cleaning, changing accessories or approaching parts which move in use.
- Switch off and remove the plug from the socket before leaving the appliance unattended and before changing, cleaning or inspecting any parts of the appliance.
- When not in use, the appliance should be

stored in a dry place. Children should not have access to stored appliances.

Inspection and repairs

- Before use, check the appliance for damaged or defective parts. Check for breakage of parts, damage to switches and any other conditions that may affect its operation.
- Do not use the appliance if any part is damaged or defective.
- Have any damaged or defective parts repaired or replaced by an authorised repair agent.
- Before use, check the power supply cord for signs of damage, ageing and wear.
- Do not use the appliance if the power supply cord or mains plug is damaged or defective.
- If the supply cord is damaged, it must be replaced by the manufacturer or an authorised Black & Decker Service Centre in order to avoid a hazard.
- Never attempt to remove or replace any parts other than those specified in this manual.

Electrical safety



This product must be earthed. Always check that the power supply corresponds to the voltage on the rating plate.

Power plugs must match the outlet. Never modify the plug in any way. Do not use any adapter plugs with earthed (Class 1) appliances. Unmodified plugs and matching outlets will reduce the risk of electric shock.

Extension cables & Class 1 product

A 3 core cable must be used as your appliance is earthed and of Class 1 construction. Up to 30m (100 ft) can be used without loss of power.

To avoid the risk of electric shock, do not immerse the cord, plug or motor unit in water or other liquid.

Features

1. Aluminium body
2. 4.5L and 3L Stainless steel bowl
3. 1.25L Blender jar
4. Electronic speed control
5. Meat mincer attachment
6. Beater, whisk and dough hook.
7. Cookie attachment

Parts Identification

1. Mixer head
2. Outlet cover
3. speed control dial
4. Head release lever
5. Mixer base
6. Release lever
7. Coupling
8. Bowl lid holder
9. Front cap
10. Recess
11. Power cord
- 12 & 13. Steel bowls
14. Whisk
15. Beater
16. Dough hook
17. Bowl lid
18. Blender jar
19. Blender lid
20. Filler cap
21. Mincer

22. Blade
23. Nut
24. Slotted coupling
25. Coarse mincing die
26. Fine mincing die
27. Tray
28. Pusher
29. Spanner
30. Plastic bowl
31. Mincer feeder tube
32. Cookie cup
33. Cookie shape selector
34. Screw
35. Kebbe attachment

Unpacking

Remove the unit from the packaging.


Wash thoroughly before first use.


Assembly

Warning! Before assembly, make sure that the appliance is switched off and unplugged.

Use

Figures A&B: Using the Whisk, Beater & Dough Hook:

Place the Mixer on a flat surface. With one hand on top of the Mixer to prevent sudden movement, rotate the head release lever (4) to the "UNLOCKED"  position & raise the head to the upper position.

Releasing the lever "LOCKS"  the bowl in the raised position.

If required, the bowl lid (17) can be fitted over the location (8) on the mixer head (making sure the door is facing you once it is fitted) & turned anti-clockwise. The bayonet fittings on the 2 parts will lock the lid in place. Push the required attachment - whisk (14), beater (15) or dough hook (16) onto the coupling (7) & washer so the horizontal pin enters the slot in the attachment. Turning the attachment clockwise will lock it in place. Place the required bowl (12 or 13) in the recess (10) in the stand & rotate it clockwise to lock it in position

Add the required ingredients to the bowl. Press the head release lever (4) and lower the head. Releasing the lever will lock the head in position.

Connect the Mixer to a suitable electrical supply.

For short operation, hold the control dial (3) & rotate it anti-clockwise. Once complete, release the dial. It will automatically return to the "0" (OFF) position.

For longer operating times, rotate the control dial clockwise to select the appropriate speed.

Once mixing is completed and the unit turned off, the head can be raised and the bowl & ingredients removed.

Never approach any moving parts until they have come to a complete stop.

Figure C: Using the Blender:

Remove the blender lid (19) & filler cap (20)

from the blender jar (18), and add the ingredients. Replace the lid & cap.

Place the Mixer on a flat surface.

Ensure the Mixer head (1) is locked in the horizontal position.

Remove the outlet cover (2) from the Mixer head. Place the Blender (17) onto the outlet & rotate it anti-clockwise until it locks in place.

Connect the appliance to a suitable electrical supply.

For short operation, hold the control dial (3) & rotate it anti-clockwise. Once complete, release the dial. It will automatically return to the "0" (OFF) position.

For longer operating times, rotate the control dial clockwise to select the appropriate speed.

Once blending is completed and the unit turned off, the blender can be removed by rotating it clockwise to overcome the bayonet fitting.

Always operate the blender with the lid fitted.

Never approach any moving parts until they have come to a complete stop.

Figure D: Using the Mincer:

Place the Mixer on a flat surface.

Ensure the Mixer head (1) is locked in the horizontal position.

Press the attachment release lever (6) down and lift the front cap (9) to reveal a hole and slotted coupling.

Holding the release button (6) down, fit the assembled Mincer (21) into the hole, and turn it to make sure the flat on the end of the screw engages in the slotted coupling. Release the button, & rotate the Mincer assembly again. The screw should be connected to the coupling. When the pin on the release button aligns with the hole in the Mincer, the spring will push the pin through, locking it in place.

The feeder tube should be facing up. Fit the tray (30) into the feeder (31) in the Mincer head.

Remove the nut (23) by rotating it in an anti-clockwise direction. The spanner (29) may be required. Remove the round die (25 or 26) & replace with the one required for the task. Locate the cut-out in the die with the tab on the Mincer head. Replace the nut. Place the ingredients on the tray, and a bowl under the Mincer head.

Connect the appliance to a suitable electrical supply.

Rotating the control dial clockwise, select a slow speed. Using the pusher (28), push the ingredients into the hole in the tray & down into the Mincer.

The screw will collect the ingredients, compressing them & moving them forward. The blade will cut the ingredients, which will then be forced through the die and fall into the bowl.

Never insert fingers into the feed chute. Only use the pusher provided.

Never approach any moving parts until they have come to a complete stop.

The tray (27) can be used as lid on plastic bowl (30) making it a storage bowl.

Figure E: Using the Cookie shape selector:

Place the Mixer on a flat surface.

Ensure the Mixer head (1) is locked in the horizontal position.

Press the attachment release lever (6) down and Lift the front cap (9) to reveal a hole and slotted coupling.

Holding the release button (6) down, fit the Mincer (21) into the hole, and turn it to make sure the flat on the end of the screw engages in the slotted coupling. Release the button, & rotate the Mincer assembly again. The screw should be connected to the coupling. When the pin on the release button aligns with the hole in the Mincer, the spring will push the pin through, locking it in place.

The feeder tube should be facing up. Fit the tray (23) into the feeder (31) in the Mincer head.

Remove the nut (23) by rotating it in an anti-clockwise direction. The spanner (29) may be required. Remove the round die (25 & 26) and blade (22).

Place the cookie cup (32) (without shape selector (33)) in the nut, and fasten it back onto the Mincer head.

Fit the shape selector through the 2 slots in the cookie attachment. Fit the tray (27) into the vertical tube (31) in the Mincer head.

Place the ingredients on the tray, and place a tray under the Mincer head.

Connect the appliance to a suitable electrical supply.

Rotate the control dial clockwise & select a slow speed. Using the pusher, push the ingredients into the hole in the tray & down into the Mincer.

The screw will collect the ingredients, compressing them & moving them forward. They will then be forced through the selected shape in the shape selector. This should be collected on the tray.

The machine should be stopped before changing the shape in the shape selector.

Never approach any moving parts until they have come to a complete stop.

Never insert fingers into the feed chute. Only use the pusher provided.

Using the Kebbe attachment (Fig. F)

The Kebbe attachment is used with the meat mincer attachment.

The Kebbe maker attachment (35) has two parts, the shaper and the cone.







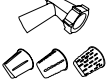

Follow the assembly instructions of the mincer through to the assembly of the worm (34) (do not assemble the cutting blade (22) or the fine or course mincing dies (25 or 26)).

Insert the shaper and the cone onto the end of the worm.

Secure the Kebbe in place using the securing nut (23).

Feed the Kebbe mixture through the food feeder tube and use the pusher provided. The mince will roll out as a hollow cylinder. Cut the continuous hollow cylinder into the desired lengths while it flows out.

Operating times and preparations

| Attachment | Function | Suggested Types Of Food | Recommended Speed |
|---|---|---|-------------------|
|  | Mixing | Making cakes, mashed potatoes & cookie | 5-9 |
|  | Mixing & kneading | Mixes & kneads all kinds of yeast mixtures for homemade bread | 2-6 |
|  | Whisking | Used for egg, meringues, creams & mousses | 10-12 |
|  | Blending | Soups*, purees, drinks, milkshakes | 10-12 |
|  | Mincing | Mincing meat, cookies (with cookie attachment) | 1-3 |
|  | Mincing | Kebbe | 1-3 |
|  | Shredding vegetables (PRSM600VS - Optional Accessory) | Slicer, fine shredding & coarse shredding vegetables, such as carrots, beets, turnips, potatoes, coconut & celery | 4 |
|  | Extruding pasta (PRSM600PM - Optional Accessory) | Making pasta & Macaroni | 1-3 |

* Do not blend hot liquids, allow to cool first

Switching On and Off

For short operation, hold the control dial (3) & rotate it anti-clockwise. Once complete, release the dial. It will automatically return to the "0" (OFF) position.

For longer operating times, rotate the control dial clockwise to select the appropriate speed.

Warning! Never run the mixer for longer than 10 minutes to prevent over-heating. After 10 minutes of continuous operation, allow the mixer to cool to room temperature before re-using.

Warning! After switching off always allow the motor to stop before approaching the blade.

Warning! All loose clothing and hair must be kept clear of moving parts.

Warning! Always discount the unit from the supply if it is to be left unattended and before assembling, disassembling or cleaning.

Warning! Never raise the mixer head when the blender, mincer, pasta maker or shredder attachments are fitted. Remove all attachments before lifting or moving the mixer.

Warning! Never run the Mixer, the Blender and the front attachment simultaneously - the unit will overheat. All other combinations will work fine.

Cleaning and maintenance

Warning! Switch the appliance off and unplug it before cleaning or maintenance. Be careful when cleaning the blades; they are sharp.

Warning! Care is needed when handling cutting blades, especially when removing blades and during cleaning.

Warning! Do not immerse the appliance, the cord set or the plug in water or any other liquid.

- Wash the attachments in warm soapy water and dry well.
- Wipe the motor unit (2) with a damp cloth. Do not use any abrasive or solvent-based cleaner.

Always clean the appliance immediately after use. Do not let food dry on to the blades as this will make cleaning difficult.

Technical data

| PRSM600 | | |
|---------|----|------|
| Voltage | V | 230 |
| Wattage | W | 800 |
| Weight | Kg | 10.5 |

Protecting the environment



Separate collection. This product must not be disposed of with normal household waste.

Should you find one day that your Black & Decker product needs replacement, or if it is of no further use to you, do not dispose it off with other household waste. Make this product available for separate collection.

Separate collection of used products and packaging allows materials to be recycled and used again. Use of recycled materials helps prevent environmental pollution and reduces the demand for raw materials.



Local regulations may provide for separate collection of electrical products from the household, at municipal waste sites or by the retailer when you purchase a new product.

Black & Decker provides a facility for the collection and recycling of Black & Decker products once they have reached the end of their working life. To take advantage of this service please return your product to any authorised repair agent who will collect them on our behalf. You can check the location of your nearest authorised repair agent by contacting your local Black & Decker office at the address indicated in this manual. A list of authorised Black & Decker repair agents and full details of our after-sales service and contact are available on the Internet at: **www.2helpU.com**

BLACK & DECKER HOME APPLIANCE 2 YEAR WARRANTY

Black & Decker provides a 2 Year Warranty for this product from the date of purchase against defects due to defective materials or workmanship. Motor/element burn-outs due to voltage fluctuations are not covered under warranty. If the product should become defective within the warranty period, Black & Decker will repair or (at Black & Decker's discretion) replace it free of charge.

The warranty provisions do not cover failure due to accident, misuse, abuse, negligence or non observation of local regulations on the part of the user. Equally, the warranty provisions do not apply where the appliance has been serviced by a person not authorized by Black & Decker or serviced with non-approved parts and this has contributed to the fault of the product. Superseded models without a replacement equivalent will either be repaired or (at Black & Decker's discretion) replaced with another product of similar retail value.

UPON PURCHASE

Fill in the Warranty Registration Card with the original Authorized Dealer's stamp (indicating date of purchase) and attach your purchase receipt to it. Retain in case of claims in the future.

MAKING A CLAIM

Take your defective product together with the Warranty Registration Card & purchase receipt to your local service Centre. You can either do this in person or send it freight prepaid. If mailing or shipping your appliance, ensure that it is packed carefully in a sturdy carton with enough packing material to prevent damage. Include a note describing the problem to the service Centre and be sure to give your return address.

DESIGNED FOR DOMESTIC PURPOSES ONLY.

حماية البيئة



يجب عدم التخلص من هذا المنتج مع بقية النفايات المنزلية.

إذا وجدت في يوم من الأيام أنك بحاجة لشراء جهاز بلاك أند ديكر جديد، أو لم تعد بحاجة للجهاز القديم، لا تتخلص منه مع النفايات المنزلية الأخرى. جهز هذا المنتج للإستلام المنفصل.



الإستلام المنفصل للمنتجات المستعملة ومواد التغليف يسمح بإعادة تصنيع المواد واستعمالها من جديد. إستعمال المواد المعاد تصنيعها يساعد على منع التلوث البيئي ويقلل الطلب على المواد الأولية.

الأنظمة المحلية قد تنص على ضرورة الإستلام المنفصل للمنتجات الكهربائية من المنازل، في مواقع البلدية للنفايات أو بواسطة بائع التجزئة عندما تشتري منتجاً جديداً.

توفر بلاك أند ديكر التسهيلات لاستلام وإعادة تصنيع منتجات بلاك أند ديكر عندما تصل إلى نهاية حياتها العملية. للإستفادة من هذه الخدمة، يرجى إعادة جهازك إلى أي وكيل تصليح معتمد والذي سيقوم باستلامه بالنيابة عنا. يمكنك معرفة موقع أقرب وكيل تصليح معتمد بالنسبة لك بمراجعة مكتب بلاك أند ديكر المحلي على العنوان المبين في هذا الكتيب. تتوفر قائمة بأسماء وكلاء التصليح المعتمدين من بلاك وديكر، كما تتوفر تفاصيل كاملة عن خدمات ما بعد البيع وعناوين الاتصال على شبكة الإنترنت
نت : www.2helpU.com

ضمان شامل لمدة سنتين لأجهزة BLACK & DECKER المنزلية

تمنح Black & Decker ضماناً شاملاً مدته سنتين لهذا المنتج اعتباراً من تاريخ الشراء. يغطي الضمان عيوب التصنيع أو المواد الداخلة في التصنيع. وفي حالة إصابة المنتج بأي عطل أثناء فترة الضمان، سنتقوم شركة بإصلاحه أو (وفقاً لتقدير Black & Decker) استبداله مجاناً.

لا يغطي الضمان الأعطال الناتجة عن الحوادث، سوء الاستعمال، الإهمال، الاستعمال الخاطئ، أو عدم اتباع النظم المعمول بها محلياً. كذلك، لا تطبق شروط الضمان إذا تمت صيانة أو تصليح المنتج لدى طرف غير معتمد من قبل شركة Black & Decker وفي حالة اسخدام قطع غيار بدون الرجوع إلى الشركة أو الحصول على موافقتها، وتسببت هذه القطع في العطل. وإذا توقفت إنتاج أي طراز مع عدم وجود البديل المناسب، فإن لشركة Black & Decker حق اختيار إصلاح المنتج أو استبداله بطراز آخر بنفس القيمة الشرائية.

عند الشراء

املاً بطاقة تسجيل الضمان مع التأكد من وجود الختم الأصلي للتاجر المعتمد (وتوضيح تاريخ الشراء) ثم ارفق إيصال الشراء بالبطاقة. الرجاء الاحتفاظ بهما لإبرازهما في حالة وجود مطالبات في المستقبل.

عملية المطالبة

خذ المنتج المعطل مع بطاقة الضمان وإيصال الشراء بنفسك إلى مركز الصيانة المحلي أو يمكنك إرساله بالبريد المدفوعة أجرته سلفاً. وفي حالة إرسال الجهاز بالبريد أو الشحن، تأكد من تفرغ المنتج من الماء كلياً وقم بتغليفه جيداً في صندوق كرتوني مقوى مع إضافة مواد تغليف لملاء الفراغات لتفادي إصابته بأي ضرر. ارفق ملاحظة تصف فيها المشكلة لمركز الصيانة وتأكد من كتابة عنوانك.

صمم للاستعمالات المنزلية فقط.

التشغيل وإيقاف التشغيل

تحذيراً! يجب توخي الحذر والحرص عند التعامل مع شفرات القطع الحادة، خاصة عند إزالة الشفرات وأثناء التنظيف.

تحذيراً! يجب عدم غمس الجهاز أو السلك أو القابس في الماء أو أي سائل آخر.

• اغسل الوحدات المرفقة باستخدام ماء صابون دافئ وجففها جيداً.

• امسح وحدة المحرك (٢) باستخدام قطعة قماش مبللة. لا تستخدم منظفات المواد المذيبة أو المواد الكاشطة.

ينبغي دائماً تنظيف الجهاز عقب الاستخدام فوراً، وينبغي عدم ترك الأطعمة حتى تجف فوق الشفرات؛ حيث يزيد ذلك من صعوبة عملية التنظيف.

البيانات الفنية

| PRSM600 | | |
|---------|------|------------------|
| ٢٣٠ | فولت | الجهد |
| ٨٠٠ | وات | القوة الكهربائية |
| ١٠,٥ | كجم | الوزن |

للتشغيل لفترة قصيرة، اضغط مع الاستمرار على قرص التحكم (٢) وقم بإدارته في عكس اتجاه حركة عقارب الساعة. بعد الانتهاء، حرر القرص، وسوف يعود القرص تلقائياً إلى الوضع "٠" (إيقاف).

للتشغيل لفترات طويلة، قم بإدارة قرص التحكم في اتجاه حركة عقارب الساعة لتحديد السرعة المناسبة.

تحذيراً! تجنب نهائيًا تشغيل الخلاط بشكل متواصل لمدة تزيد عن ١٠ دقائق؛ لتجنب الحرارة المفرطة. وبعد التشغيل المتواصل لمدة ١٠ دقائق، اترك الخلاط حتى يبرد إلى مستوى درجة حرارة الغرفة قبل إعادة استخدامه.

تحذيراً! بعد إيقاف التشغيل، احرص دائماً على ترك المحرك حتى يتوقف تماماً قبل الاقتراب من الشفرة.

تحذيراً! يجب الاحتفاظ بجميع الملابس المتحررة والشعر بعيداً عن الأجزاء المتحركة.

تحذيراً! ينبغي دائماً فصل الوحدة عن مصدر الكهرباء، في حالة عدم استخدامها وقبل التركيب أو التفكيك أو التنظيف.

تحذيراً! تجنب نهائيًا رفع رأس الخلاط أثناء تركيب وعاء المزج أو المفرمة أو وحدة إعداد الباستا أو وحدة التقطيع. قم بإزالة جميع الوحدات المرفقة قبل رفع الخلاط أو تحريكه.

تحذيراً! تجنب نهائيًا تشغيل الخلاط ووعاء المزج والوحدة الأمامية في وقت واحد - سوف يؤدي ذلك إلى ارتفاع درجة حرارة الوحدة بشكل مفرط. سوف تعمل باقي المجموعات الأخرى بشكل جيد.

التنظيف والصيانة

تحذيراً! يجب إيقاف تشغيل الجهاز وفصله عن مصدر التيار الكهربائي قبل التنظيف أو الصيانة. ينبغي توخي الحذر والحرص عند تنظيف الشفرات؛ حيث إنها حادة وتشكل خطورة.

استخدام وحدة الكبة (الشكل " و ")

يتم استخدام وحدة الكبة مع وحدة مفرمة اللحوم.

تشتمل وحدة إعداد الكبة (٢٥) على جزأين، وحدة التشكيل والقمع.

اتبع إرشادات التركيب الخاصة بالمفرمة وتركيب اللولب (٢٤) (لا تركب شفرة التقطيع (٢٢) أو قالب الفرم الخشن والناعم (٢٥ أو ٢٦)).

قم بإدخال وحدة التشكيل والقمع في نهاية اللولب.

ثبت وحدة الكبة في موضعها باستخدام صمولة الربط (٢٣).

قم بتغذية خليط الكبة من خلال أنبوب التغذية واستخدم وحدة الدفع المرفقة. سوف يخرج المفروم على هيئة أسطوانة مجوفة. قم بتقطيع الأسطوانة المجوفة المتصلة إلى الأطوال المطلوبة أثناء خروجها.

ضع المكونات في الصينية، وضع صينية أسفل رأس المفرمة.

قم بتوصيل الجهاز بمصدر كهرباء مناسب.

قم بإدارة قرص التحكم في اتجاه حركة عقارب الساعة وحدد سرعة بطيئة. استخدم وحدة الدفع لدفع المكونات إلى داخل الفتحة الموجودة في الصينية ولأسفل تجاه المفرمة.

سوف يقوم اللولب بتجميع المكونات وضغطها ونقلها إلى الأمام. وسوف تخرج المكونات من خلال الشكل المحدد في وحدة التشكيل. ينبغي تجميع الناتج في الصينية.

يجب إيقاف تشغيل الجهاز قبل تغيير الشكل المستخدم في وحدة التشكيل.

تجنب نهائيًا الاقتراب من أية أجزاء متحركة حتى تتوقف عن الحركة تمامًا.

تجنب نهائيًا إدخال الأصابع في أنبوب التغذية. استخدم وحدة الدفع المرفقة فقط.

إعدادات وأوقات التشغيل

| الوحدة | الوظيفة | أنواع الأطعمة المقترحة | السرعة الموصى بها |
|---|---|---|-------------------|
|  | المزج | إعداد الكيك والبطاطس المهروسة والكمك | ٩-٥ |
|  | المزج والعجن | مزج وعجن جميع أنواع العجين لإعداد الخبز المنزلي | ٦-٢ |
|  | الخفق | خفق البيض والمرنغ والقشدة والموسمية | ١٢-١٠ |
|  | المزج والخلط | الشوربة* والبوريه والمشروبات ومخفوق اللبن | ١٢-١٠ |
|  | الطحن | فرم اللحوم وإعداد عجين الكمك (باستخدام وحدة الكمك) | ٣-١ |
|  | الطحن | إعداد الكبة | ٣-١ |
|  | وحدة تقطيع الخضروات (PRSM600VS) وحدة اختيارية | تقطيع الشرائح والتقطيع الناعم والخشن للخضروات، مثل الجزر وبنجر السكر واللفت والبطاطس وجوز الهند والكرفس | ٤ |
|  | وحدة تشكيل الباستا (PRSM600PM) وحدة اختيارية | إعداد الباستا والمكرونه | ٣-١ |

* لا تستخدم الجهاز لمزج السوائل الساخنة، اترك السوائل لتبرد أولاً، ثم امزجها.

يمكن استخدام الصينية (٢٧) كغطاء يوضع فوق السلطانية البلاستيكية (٢٠) لاستعمالها كسلطانية تخزين.

الشكل (هـ): استخدام وحدة تشكيل الكعك

ضع الخلاط فوق سطح مستو.

تأكد تثبيت رأس الخلاط (١) في الوضع الأفقي.

اضغط على ذراع تحرير الوحدة (٦) لأسفل وارفع الغطاء الأمامي

(٩) لإظهار فتحة ومقرنة مشقوبة.

أثناء الضغط مع الاستمرار على زر التحرير (٦) لأسفل، قم

بتركيب المفزمة (٢١) في الفتحة، وقم بإدارتها للتأكد من دخول

الطرف المسطح الموجود بنهاية اللولب في المقرنة المشقوبة.

حرر الزر وقم بإدارة مجمعة المفزمة مرة أخرى. يجب توصيل

اللولب بالمقرنة. عند محاذاة الخابور الموجود في زر التحرير مع

الفتحة الموجودة في المفزمة، سوف يدفع الزنبرك الخابور خلال

الفتحة ليستقر في موضعه.

يجب أن يكون أنبوب التغذية متجهًا لأعلى. قم بتركيب الصينية

(٢٧) في وحدة التغذية (٢١) في رأس المفزمة.

قم بإزالة الصمولة (٢٢) من خلال إدارتها في عكس اتجاه حركة

عقارب الساعة. قد تكون هناك حاجة لاستخدام مفتاح الربط

(٢٩). قم بإزالة القالب المستدير (٢٥ أو ٢٦) والشفرة (٢٢).

ضع وعاء الكعك (٢٢) (دون وحدة التشكيل (٢٣)) في الصمولة،

وقم بتثبيتها في رأس المفزمة.

قم بتركيب وحدة التشكيل خلال الفتحتين الموجودتين في وحدة

الكعك. قم بتركيب الصينية (٢٧) في الأنبوب الرأسي (٢١) في

رأس المفزمة.

أثناء الضغط مع الاستمرار على زر التحرير (٦) لأسفل، قم بتركيب المفزمة المجمع (٢١) في الفتحة، وقم بإدارتها للتأكد

من دخول الطرف المسطح الموجود بنهاية اللولب في المقرنة

المشقوبة. حرر الزر وقم بإدارة مجمعة المفزمة مرة أخرى. يجب

توصيل اللولب بالمقرنة. عند محاذاة الخابور الموجود في زر

التحرير مع الفتحة الموجودة في المفزمة، سوف يدفع الزنبرك

الخابور خلال الفتحة ليستقر في موضعه.

يجب أن يكون أنبوب التغذية متجهًا لأعلى. قم بتركيب الصينية

(٢٧) في وحدة التغذية (٢١) في رأس المفزمة.

قم بإزالة الصمولة (٢٢) من خلال إدارتها في عكس اتجاه حركة

عقارب الساعة. قد تكون هناك حاجة لاستخدام مفتاح الربط

(٢٩). قم بإزالة القالب المستدير (٢٥ أو ٢٦) وأعد تركيب

القالب المطلوب للمهمة. ثبت وحدة التقطيع في القالب باستخدام

اللسان الموجود في رأس المفزمة. قم بإعادة تركيب الصمولة.

ضع المكونات في الصينية، وضع سلطانية أسفل المفزمة.

قم بتوصيل الجهاز بمصدر كهرباء مناسب.

أثناء إدارة قرص التحكم في اتجاه حركة عقارب الساعة، حدد

سرعة بطيئة. استخدم وحدة الدفع (٢٨) لدفع المكونات إلى

داخل الفتحة الموجودة في الصينية ولأسفل تجاه المفزمة.

سوف يقوم اللولب بتجميع المكونات وضغطها ونقلها إلى الأمام.

سوف تقوم الشفرة بتقطيع المكونات، والتي سوف تخرج بعد ذلك

من خلال فتحات القالب وتسقط في السلطانية.

تجنب نهائيًا إدخال الأصابع في أنبوب التغذية. استخدم وحدة

الدفع المرفقة فقط.

تجنب نهائيًا الاقتراب من أية أجزاء متحركة حتى تتوقف عن

الحركة تمامًا.

الشكل (ج): استخدام وعاء المزج

قم بإزالة غطاء وعاء المزج (١٩) وغطاء فتحة التعبئة (٢٠) من وعاء المزج (١٨)، وقم بإضافة المكونات. قم بإعادة غطاء وعاء المزج وغطاء فتحة التعبئة إلى موضعيهما.

ضع الخلاط فوق سطح مستو.

تأكد من تثبيت رأس الخلاط (١) في الوضع الأفقي.

قم بإزالة غطاء المنفذ (٢) من رأس الخلاط. ضع وعاء المزج (١٨) فوق المنفذ، وقم بالإدارة في عكس اتجاه حركة عقارب الساعة حتى يتم تثبيته في موضعه.

قم بتوصيل الجهاز بمصدر كهرباء مناسب.

للتشغيل لفترة قصيرة، اضغط مع الاستمرار على قرص التحكم (٢) وقم بإدارته في عكس اتجاه حركة عقارب الساعة. بعد الانتهاء، حرر القرص، وسوف يعود القرص تلقائياً إلى الوضع "٠" (إيقاف).

للتشغيل لفترات طويلة، قم بإدارة قرص التحكم في اتجاه حركة عقارب الساعة لتحديد السرعة المناسبة.

بمجرد اكتمال المزج وإيقاف تشغيل الوحدة، يمكن إزالة وعاء المزج من خلال إدارته في اتجاه حركة عقارب الساعة للتخلص من التركيب المسننة.

احرص دائماً على تشغيل وعاء المزج أثناء تركيب الغطاء الخاص به.

تجنب نهائياً الاقتراب من أية أجزاء متحركة حتى تتوقف عن الحركة تماماً.

الشكل (د): استخدام المضرمة

ضع الخلاط فوق سطح مستو.

تأكد تثبيت رأس الخلاط (١) في الوضع الأفقي.

اضغط على ذراع تحرير الوحدة (٦) لأسفل وارفع الغطاء

الأمامي (٩) لإظهار فتحة ومقرنة مشقوبة.

يمكن تركيب غطاء السلطانية (١٧) في الموضع (٨) في رأس الخلاط، إذا لزم الأمر ذلك (مع التأكد من وجود الباب في موجهتك أثناء تركيبه)، وقم بالإدارة في عكس اتجاه حركة عقارب الساعة. سوف تعمل التركيبات المسننة الموجودة في الجزأين إلى تثبيت الغطاء في موضعه. ادفع وحدة الخفق (١٤) أو المزج (١٥) أو خطاف العجن (١٦) المطلوبة تجاه المقرنة (٧) والحلقة بحيث يدخل الخابور الأفقي في فتحة الوحدة، وسوف تؤدي إدارة الوحدة في اتجاه حركة عقارب الساعة إلى تثبيت الوحدة في موضعها. ضع السلطانية المطلوبة (١٢ أو ١٣) في التجويف (١٠) في الحامل وقم بإدارتها في اتجاه حركة عقارب الساعة لتثبيتها في موضعها.

قم بإضافة المكونات المطلوبة في السلطانية. اضغط على ذراع تحرير الرأس (٤) واخفض الرأس لأسفل. سوف يؤدي تحرير الذراع إلى تثبيت الرأس في موضعها.

قم بتوصيل الخلاط بمصدر كهرباء مناسب.

للتشغيل لفترة قصيرة، اضغط مع الاستمرار على قرص التحكم (٢) وقم بإدارته في عكس اتجاه حركة عقارب الساعة. بعد الانتهاء، حرر القرص، وسوف يعود القرص تلقائياً إلى الوضع "٠" (إيقاف).

للتشغيل لفترات طويلة، قم بإدارة قرص التحكم في اتجاه حركة عقارب الساعة لتحديد السرعة المناسبة.

بمجرد اكتمال المزج وإيقاف تشغيل الوحدة، يمكن رفع الرأس وإزالة السلطانية والمكونات.

تجنب نهائياً الاقتراب من أية أجزاء متحركة حتى تتوقف عن الحركة تماماً.

المزايا

| | | | |
|----|--|--------|--|
| ٢١ | المفرمة | ١ | هيكل من الألمونيوم |
| ٢٢ | الشفرة | ٢ | سلطانية من الفولاذ المقاوم للصدأ سعة ٥، ٤ لتر و٢ لتر |
| ٢٣ | الصمولة | ٣ | وعاء مزج سعة ١، ٢٥ لتر |
| ٢٤ | المقرنة المشقوبة | ٤ | تحكم سرعات إلكتروني |
| ٢٥ | قالب الفرغ الخشن | ٥ | مفرمة لحوم |
| ٢٦ | قالب الفرغ الناعم | ٦ | خطاف المزج والخفق والعجن |
| ٢٧ | الصينية | ٧ | وحدة الكعك |
| ٢٨ | وحدة الدفع | | تعريف الأجزاء |
| ٢٩ | مفتاح الربط | ١ | رأس الخلاط |
| ٣٠ | سلطانية بلاستيكية | ٢ | غطاء المنفذ |
| ٣١ | أنبوب تغذية المفرمة | ٣ | قرص التحكم في السرعة |
| ٣٢ | وعاء الكعك | ٤ | ذراع تحرير الرأس |
| ٣٣ | وحدة تشكيل الكعك | ٥ | قاعدة الخلاط |
| ٣٤ | اللؤلؤ | ٦ | ذراع التحرير |
| ٣٥ | وحدة الكبة | ٧ | المقرنة |
| | الإخراج من العبوة | ٨ | وحدة مسك غطاء السلطانية |
| | قم بإخراج الوحدة من العبوة. | ٩ | الغطاء الأمامي |
| | اغسل الجهاز جيداً قبل استخدامه لأول مرة. | ١٠ | تجويف |
| | التركيب | ١١ | سلك التيار الكهربائي |
| | تحذيراً! قبل التركيب، يجب التأكد من أن الجهاز مطفأ ومفصول عن مصدر التيار الكهربائي. | ١٢، ١٣ | سلطانيتان من الفولاذ |
| | الاستخدام | ١٤ | وحدة الخفق |
| | الشكلان (أ) و(ب): استخدام وحدة الخفق ووحدة المزج | ١٥ | وحدة المزج |
| | وخطاف العجن | ١٦ | خطاف العجن |
| | ضع الخلاط فوق سطح مستو. أثناء وضع إحدى اليدين أعلى الخلاط لمنع الحركة المفاجئة، قم بإدارة ذراع تحرير الرأس (٤) إلى وضع "الفتح" (🔓) وارفع الرأس إلى الوضع العلوي. | ١٧ | غطاء السلطانية |
| | يؤدي تحرير الذراع إلى "تنشيط" (🔓) السلطانية في الوضع المرتفع. | ١٨ | وعاء المزج |
| | | ١٩ | غطاء وعاء المزج |
| | | ٢٠ | غطاء فتحة التعبئة |

الفحص والإصلاح

- قبل الاستخدام، افحص الجهاز للتعرف على الأجزاء التالفة أو المعيبة. افحص الجهاز للتأكد من خلوه من الأجزاء المكسورة وتلف المفاتيح وأية أوضاع أخرى قد تؤثر على كفاءة تشغيله.
- لا تستخدم الجهاز في حالة تلف أي جزء أو وجود عيب به.
- ينبغي الاستعانة بوكيل الصيانة المعتمد لإصلاح أية أجزاء تالفة أو معيبة أو استبدالها.
- قبل الاستخدام، يلزم فحص سلك التيار الكهربائي للتأكد من خلوه من علامات التلف أو القدم البالغ أو التآكل.

- يجب عدم استخدام الجهاز في حالة تلف سلك التيار الكهربائي أو القابس أو وجود عيب بأي منهما.
- في حالة تلف سلك التيار الكهربائي، يجب استبداله من قبل الشركة المصنعة أو مركز صيانة بلاك أند ديكر معتمد لتجنب المخاطر.
- لا تحاول مطلقاً إزالة أو استبدال أية أجزاء غير تلك الموضحة في هذا الدليل.

السلامة الكهربائية

- يلزم تأريض هذا المنتج. وينبغي التأكد دائماً من توافق مصدر التيار الكهربائي مع الجهد الموضح على لوحة التصنيف.



- يلزم توافق قوايس التيار الكهربائي مع مصدر التيار الكهربائي. تجنب مطلقاً تعديل القابس بأية طريقة، ولا تستخدم أية قوايس مهايئ مع الأجهزة المأرضة (الفئة ١). سوف تؤدي القوايس غير المعدلة ومصادر التيار الكهربائي المتوافقة إلى تقليل خطر التعرض لصدمة كهربائية.

كبلات التوصيل الإضافي ومنتجات الفئة "١"

- يتعين استخدام كبل ثلاثي الأطراف؛ لأن هذا الجهاز من الأجهزة التي بها تأريض ومن منتجات الفئة "١". ويمكن استخدام كبل توصيل إضافي يصل طوله إلى ٣٠ متراً (١٠٠ قدم) دون حدوث أي فقدان للطاقة.

- لتجنب خطورة التعرض لصدمة كهربائية، يلزم تجنب غمس السلك أو القابس أو وحدة المحرك في الماء أو أي سائل آخر.

- يلزم توخي الحذر عند التعامل مع شفرات القطع، خاصة عند إزالة الشفرات وأثناء التنظيف.
- بعد التنظيف، قم بإعادة تركيب السلطانية؛ حيث يضمن ذلك حماية المقرنة الموجودة أسفلها مباشرة.
- هذه الجهاز مهياً بنظام حماية ضد الحمل الزائد. في حالة توقف الوحدة عن العمل، قم بإيقاف تشغيل الوحدة وقم بإزالة القابس من مصدر الكهرباء وانتظر لمدة ٥ دقائق، ثم قم بإعادة توصيل القابس.
- في حالة عدم عمل الوحدة، يرجى الرجوع إلى وكيل الصيانة المحلي.

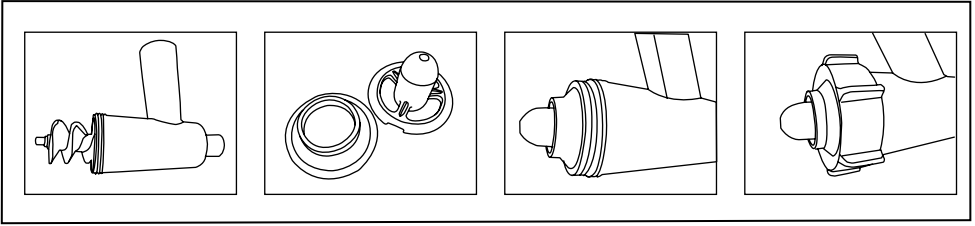
سلامة الآخرين

- لا تسمح للأطفال، أو أي شخص غير مطلع على هذه الإرشادات، باستخدام هذا الجهاز.
- لا تسمح للأطفال أو الحيوانات بالاقتراب من منطقة العمل أو لمس الجهاز أو سلك التيار الكهربائي. يلزم توخي الحذر والمتابعة الدقيقة عند استخدام الجهاز بالقرب من الأطفال.
- هذا الجهاز غير مصمم ليستخدمه الأشخاص ذوو القدرات الجسدية والذهنية والحسية والعقلية المتدنية والخبرة والمعرفة القليلتين (بما في ذلك الأطفال) إذا في ظل الإشراف عليهم أو إعطائهم التعليمات المتعلقة باستخدام الجهاز من قبل الشخص المسؤول عن سلامتهم.
- يلزم الإشراف على الأطفال لضمان عدم عبثهم بالجهاز.

بعد الاستخدام

- قم بإيقاف تشغيل الجهاز قبل التنظيف وتغيير الأكسسوارات أو الاقتراب من الأجزاء المتحركة أثناء الاستخدام.
- قم بإيقاف تشغيل الجهاز وانزع القابس من مأخذ الكهرباء عند عدم استخدام الجهاز أو قبل تغيير أي من أجزائه أو تنظيفها أو صيانتها.
- في حالة عدم استخدام الجهاز، يجب تخزينه في مكان جاف. ويجب عدم تمكين الأطفال من الوصول إلى الأجهزة المخزنة.

(الشكل و)



غرض الاستخدام

- لا تشغل الجهاز ويديك مبتلتين.
- لا تشغل الجهاز عندما تكون حافي القدمين.
- لا تلمس الأجزاء المتحركة، واحتفظ بالشمع الطويل والثياب المتحررة بعيداً عن الأجزاء المتحركة.
- افرد سلك التيار الكهربائي بدقة بحيث لا يتعلق فوق حواف سطح العمل وبحيث لا يتم التعلق به بشكل غير مقصود أو المرور فوقه.

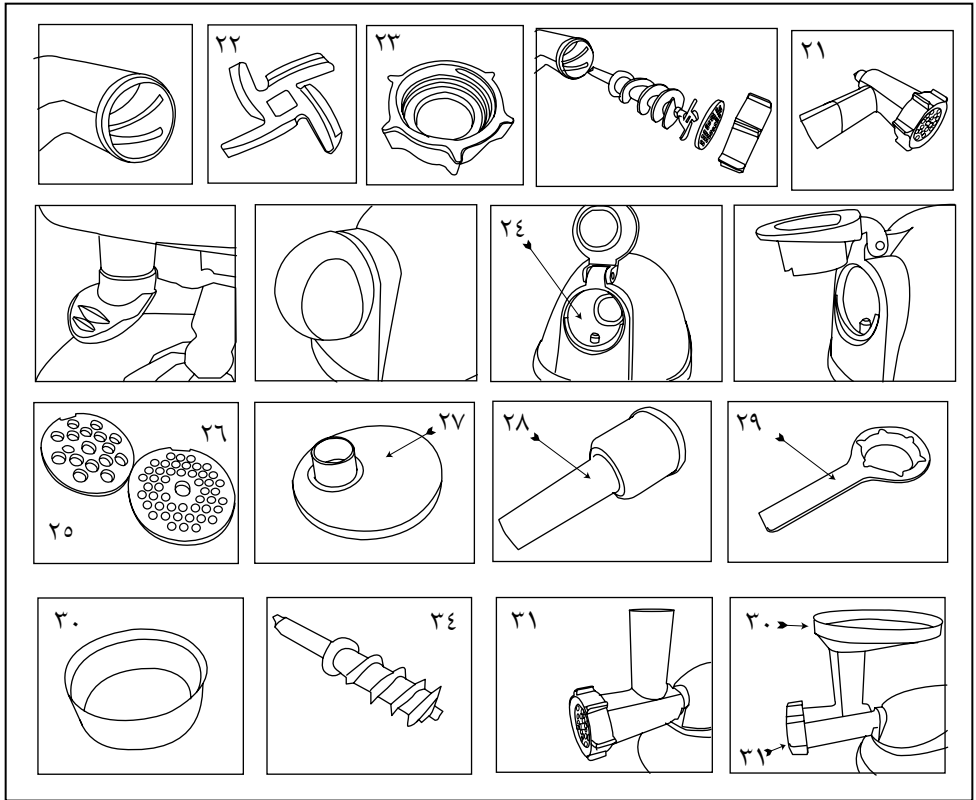
تعليمات السلامة

- تحذيراً عند استخدام الأجهزة الكهربائية، يتعين دائماً مراعاة قواعد السلامة الأساسية؛ للحد من احتمالات نشوب حريق أو تعرض الأشخاص لصدمة كهربائية أو إصابة شخصية أو تلف مادي، بما في ذلك ما يلي:
- ينبغي قراءة هذا الدليل بعناية قبل استخدام الجهاز.
- الغرض من الاستخدام موضح في هذا الدليل. وإن استخدم أية ملحقات أو وحدات مرفقة أو تنفيذ أية عملية باستخدام هذا الجهاز غير تلك الموصى بها في هذا الدليل قد ينطوي على خطورة التعرض لإصابة شخصية.
- يرجى الاحتفاظ بهذا الدليل للرجوع إليه مستقبلاً.

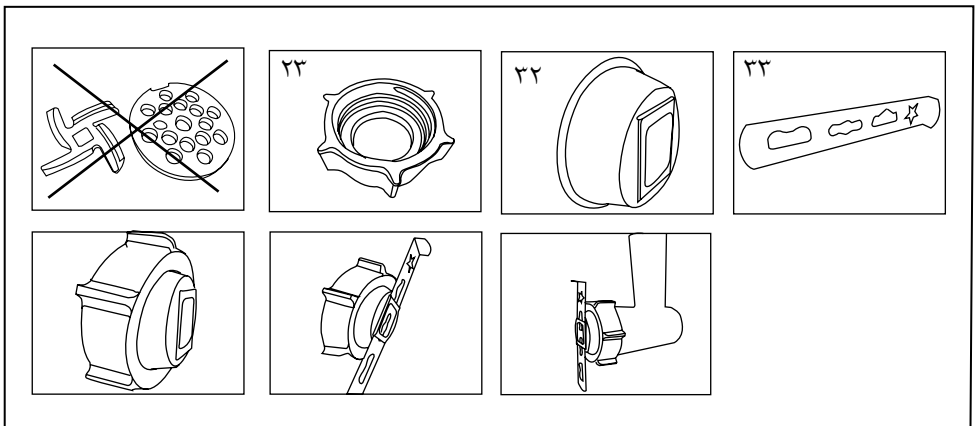
استخدام الجهاز

- تأكد من إيقاف تشغيل الجهاز قبل توصيله بمصدر التيار الكهربائي أو فصله عنه.
- ينبغي دائماً توخي الحرص والحذر عند استخدام الجهاز.
- لا تستخدم الجهاز في أغراض خارج المنزل.
- ينبغي دائماً حماية وحدة المحرك من الماء أو الرطوبة الزائدة.
- يمكن أن يؤدي سوء الاستخدام إلى التعرض للإصابات.
- احتفظ بالملابس المتحررة والشعر والمجوهرات وما إلى ذلك بعيداً عن الأجزاء المتحركة.

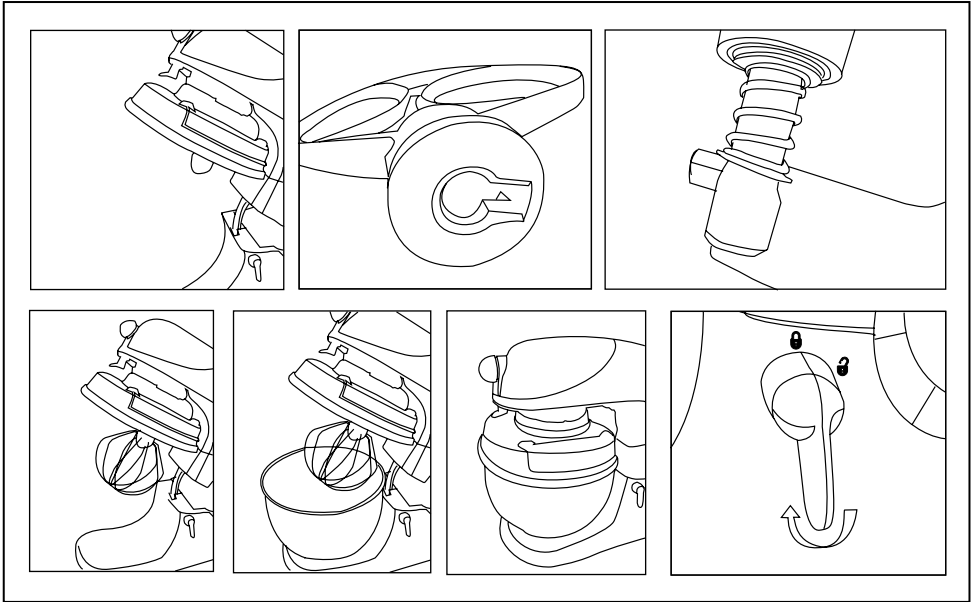
(الشكل د)



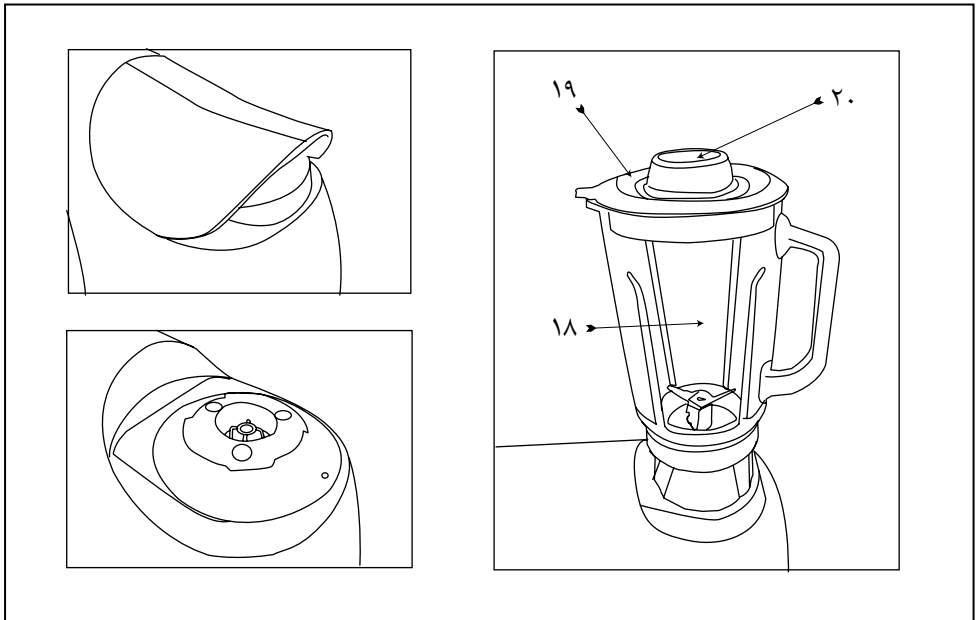
(الشكل هـ)

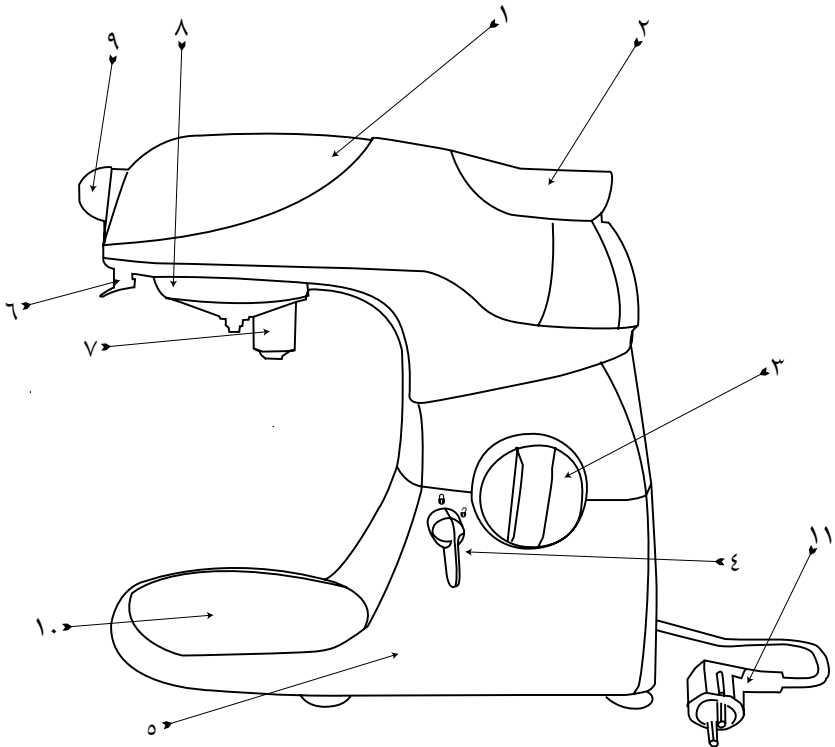


الشكل ب

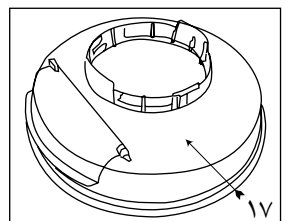
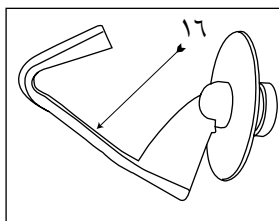
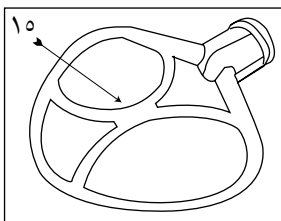
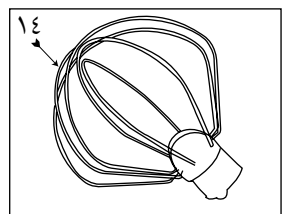
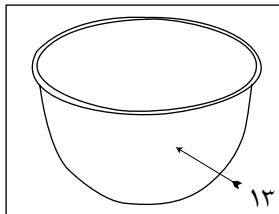
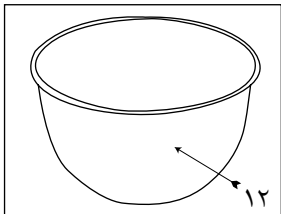


الشكل ج





(الشكل أ)



إرشادات هامة

- هناك احتياطات سلامة يجب اتباعها أثناء استخدام الأجهزة الكهربائية للتقليل من خطر الحريق والصدمة الكهربائية و/أو إصابة الأشخاص وتشمل هذه الاحتياطات ما يلي:
- قراءة كل هذه التعليمات بعناية حتى ولو كنت على دراية باستخدام الجهاز
- لا تغمر الجهاز أو مجموعة الأسلاك أو القابس في الماء أو السوائل الأخرى حتى لا تتعرض لصدمة كهربائية.
- استخدم قطعة قماش مبللة لتنظيف ومسح الجزء الخارجي من الجهاز
- راقب الأطفال عن كثب عند استخدام الجهاز بالقرب منهم. لا تترك الجهاز دون مراقبة أثناء استخدامه.
- في حالة تلف سلك الطاقة، يرجى الاستعانة بمصنع الجهاز أو وكيل الخدمة المعتمد أو أي فني على نفس درجة التأهيل لاستبدال السلك التالف وذلك لتجنب أي مخاطر ممكنة
- قم بفصل الجهاز وانزع القابس من مأخذ التيار أثناء عدم الاستخدام أو قبل تركيب أو فك أجزائه أو تنظيفه و إجراء صيانة للجهاز. لا تشد السلك لنزع القابس من مأخذ التيار.
- لا تشغل الجهاز بسلك أو قابس تالف، يجب الاستعانة بمركز الخدمة المعتمد لمعاينة الجهاز أو إصلاحه كهربائياً أو ميكانيكياً لتجنب أي خطر.
- قد تترتب مخاطر الحريق أو الصدمة الكهربائية أو إصابة الأفراد على استخدام الملحقات الثانوية التي لم يوصي بها منتج الجهاز أو يبيعها.
- لا تدع السلك يتدلى فوق حافة المنضدة أو يلامس أسطحاً ساخنة.
- تجنب ملامسة الأسطح الساخنة مع مراعاة استخدام المقابض
- لا تضع الجهاز أو أي جزء من أجزائه على أسطح ساخنة (مثل فرن غاز أو فرن كهربائي ساخن أو في فرن تم إحمائه) أو بالقرب منها.
- لا تسئ استخدام السلك. ولا تحمل الجهاز أبداً عن طريق السلك أو شده لفصله من مأخذ التيار. اقبض على القابس دائماً واسحبه لفصله.
- في حالة استخدام سلك تمديد، يرجى التأكد من توصيله بشكل سليم وأنه صالح للاستخدام مع هذا الجهاز
- هذا الجهاز معد للاستخدام المنزلي فقط
- لا تحاول إصلاح الجهاز بنفسك. وبدلاً من ذلك، استعن بأقرب مركز خدمة تابع أو معتمد من شركة بلاك أند ديكر لإصلاح الجهاز

احتفظ بهذه التعليمات

Names & Addresses for Black & Decker Service Concessionaries

Afghanistan: Ishan National Co., Opp. Ministry of Justice, Kabul. Tel.: +93-2-2101727. **Algeria:** SARL Outillage Corporation, 04 Route De Dely Brahim Cheraga, Alger. Tel.: +213-21-364363/508, Fax: +213-21-369667. **Bahrain:** Fawaz Al Zayani, P.O.Box 26563, Adliya, Manama. Tel.: +973-17-712527/12756, Fax: +973-17-713789. **Bangladesh:** Ultra Corporation, 8, Kushol Centre, Uttara, Dhaka 1230. Tel.: +880-2-8919272/9756 Ext.28, Fax: +880-2-9887167. **Egypt:** Anasia Egypt for Trading S. A. E., P.O.Box 2443, 110 Mostafa Refaat Street, Sheraton Heliopolis 11361, Cairo. Tel.: +20-2-2684159, Fax: +20-2-2684169. **Ethiopia:** Tewfik Sherif & Co. Ltd., P.O.Box 5583, Debre Zeit Road, Addis Ababa. Tel.: +251-1-651700/601, Fax: +251-1-650570. **India:** Gryphon Impex Pvt. Ltd., D-6/4, Okhla Industrial Area, Phase-I, New Delhi-110020. Tel.: +91-11-26372602-4, Fax: +91-11-26372601. **Iran:** Tehran - Service Centre of Iran, No 510, South Karger Ave, Below Pasteur Sq, Tehran. Tel.: +98-21-6490608/0656/6407672. **Kish Island:** Cayhan Electric Co., No. 69, Paradise Shopping Centre, Kish Island. Tel.: +98-76444-22894. **Jordan:** Bashiti Hardware, P.O.Box 1564, TLA Ali, Amman. Tel.: +962-6-5350009/4770741, Fax: +962-6-5350012/4789783. **Kenya:** Zylgo Enterprises, IPS Building, Kuanda Street, P.O.Box 40877, Nairobi. Tel.: +254-2-338188/199, Fax: +254-2-330642. **Kuwait:** Al Omar Technical Co., P.O.Box 4062, 13041 Safat, Kuwait. Tel.: +965-4848595/0039, Fax: +965-4845652. **Lebanon:** Est. F.A. Kettaneh SA, P.O.Box 110242, Dora Highway, Kettaneh Building, Beirut. Tel.: +961-1-255860/6, Fax: +961-1-255891. **Libya:** El Ghoul Brothers, P.O.Box 348, Islamic Call Bldg., Office 201-202, Benghazi. Tel.: +218-61-9097681/4183, Fax: +218-61-9094123. **Madagascar:** Group Tana Confort S. A. R. L., B. P. 1770, Antananarivo. Tel.: +261-20-2264505, Fax: +261-20-2264244. **Malta:** John G. Cassar Ltd., 36 Victory Str, Qormi QRM 06, Malta. Tel.: +356-21-493251, Fax: +356-21-483231. **Mauritius:** Happy World Marketing Ltd., Block 2, Industrial Estate, Coromandel, P.O.Box 429, Port Louis. Tel.: +230-2076700, Fax: +230-2337330/7400. **Nepal:** Universal Trading Centre, P.O.Box 1947, Tripureswor, Kathmandu. Tel.: +977-1-262192/260587/785, Fax: 261154. **Nigeria:** Amin Bros. Eng. Co. Ltd., 30A (Plot 1291), Akin Adesola Street, Victoria Island, Lagos. Tel.: +234-1-3201778, Fax: +234-1-2613667. **Oman:** Oman Mktg. & Service Co., P.O.Box 2734, Ruwi, Muscat. Tel.: +968-560232, Fax: +968-560255. **Pakistan:** Karachi - Ammar Service & Spares, 60, Bank Arcade, Serai Road, Karachi. Tel.: +92-21-2426905, Fax: 2427214/5243. **Pakistan:** Lahore - Electronics Inn, 212-G Raja Centre, Main Market, Gulberg, Lahore. Tel.: +92-42-5756750. **Philippines:** Modern House International Enterprises, 213 Rizal Ave. Extension, between 2nd and 3rd Ave. Kalookan City. Tel.: +632 366-4487, Fax: +632 366-4489. **Qatar:** Al Muftah Trading & Cont., P.O.Box 875, Doha. Tel.: +974-4650880/4446868, Fax: +974-4441415. **Saudi Arabia:** Dammam - Ebrahim Fawaz Al Zayani, P.O.Box 76026, Al Raka, Dammam. Tel.: +966-3-8140914, Fax: +966-3-8140824. **Jeddah:** Anasia Trading Co. Ltd. Caravan Shopping Centre, Hail Street. P. O. Box 50959, Jeddah-21477, Tel. 02 650 0948/02 636 3825, Fax 02 638 0720. **Madina:** Garziz Trdg. for Bldg. Mat.&Decor., P.O.Box 3364, Madina. Tel.: +966-4-8261490/8227636, Fax: +966-4-8265741. **Riyadh:** Anasia Trading Co Ltd. New Akaria Building, 60th St., 3rd Floor, Building # 4, Office # 3402, Malaz. P. O. Box. 18689, Riyadh-11425, Tel: 01 478 2549, Fax: 01 478 2761. **Yanbu:** Bin Afif, P.O.Box 530 Yanbu, Al Bahr. Tel.: +966-4-3222626/8867, Fax: +966-4-3222210. **Sri Lanka:** Delmege Men. Equip. Pvt. Ltd., No. 428/1AT. B., Jaya Mawatha (Darley Road), Colombo-10. Tel.: +94-11-2665914, Fax: +94-11-2665915. **Sudan:** United Distribution Company, P.O.Box 325, Sayed Abdul Rehman Street, Khartoum. Tel.: +249-11-772612/777296, Fax: +249-11-770919. **Tanzania:** General Motors Investment, P. O Box 16541, 14 Vingunguti Nyerere Road, Dar Es Salaam. Tel.: +255-22-2862661/5022, Fax: +255-22-2862667/5412/3. **Tunisia:** STE Tunisienne De Quincallerie Stg., Nvelle Zl, 2013, Ben Arous, Tunis, Tunisia. Tel.: +216 71386102, Fax: +216 71380412. **UAE:** Abu Dhabi - Light House Electric., P.O.Box 120, Abu Dhabi. Tel.: +971-2-6726131, Fax: +971-2-6720667. Dubai - Black & Decker (O) A.G., P.O.Box 5420, Dubai. Tel.: +971-4-7028234/233, Fax: +971-4-2822765. Ideal Mach. & Equipmt. R. W/shop P.O.Box 37116, Al Quoz, Dubai. Tel.: +971-4-3474160, Fax: +971-4-3474157. Sharjah - McCoy Middle East LLC, P.O.Box 20228, Sharjah. Tel.: +971-6-5336321, Fax: +971-6-5336320. **Uganda:** The Building Centre, Kitgum House, 52 Station Road, P.O.Box 7436, Kampala. Tel.: +256-41-234567, Fax: +256-41-236413. **Yemen:** Aden - Middle East Trad. Co. Ltd., Mulla Dakka, Aden. Tel.: +967-2-240950, Fax: +967-2-240952. **Sana'a:** Middle East Trad. Co. Ltd., P.O.Box 12363, Hayel Street, Sana'a. Tel.: +967-1-204201, Fax: +967-1-204204. **Taiz:** Middle East Trad. Co. Ltd., Campa area near Al-Kair mosque, Taiz. Tel.: +967-4-231610/232033, Fax: +967-4-219869. **Zimbabwe:** J.D.Distributors, P.O.Box 226, 17 Bessemer Road, Graniteside, Harare. Tel.: +263-4-753913-7, Fax: 753918. **Cyprus:** G. Kyprianou Trading Co Ltd., 51 Prodromou AVE. Strovolos, 1681, P.O. Box 23318 Nicosia Cyprus. Tel.: 00357 22 468170/1, Fax: 00357 22 468186, Email gktttd@spidernet.com.cy



WARRANTY REGISTRATION CARD

YOUR NAME/الإسم _____

YOUR ADDRESS العنوان _____

POSTCODE الرمز البريدي _____

DATE OF PURCHASE تاريخ الشراء _____

DEALER'S NAME & ADDRESS/إسم وعنوان البائع _____



PRODUCT MODEL NO. PRSM600

Free Manuals Download Website

<http://myh66.com>

<http://usermanuals.us>

<http://www.somanuals.com>

<http://www.4manuals.cc>

<http://www.manual-lib.com>

<http://www.404manual.com>

<http://www.luxmanual.com>

<http://aubethermostatmanual.com>

Golf course search by state

<http://golfingnear.com>

Email search by domain

<http://emailbydomain.com>

Auto manuals search

<http://auto.somanuals.com>

TV manuals search

<http://tv.somanuals.com>