

Commercial/Industrial Use Warranty

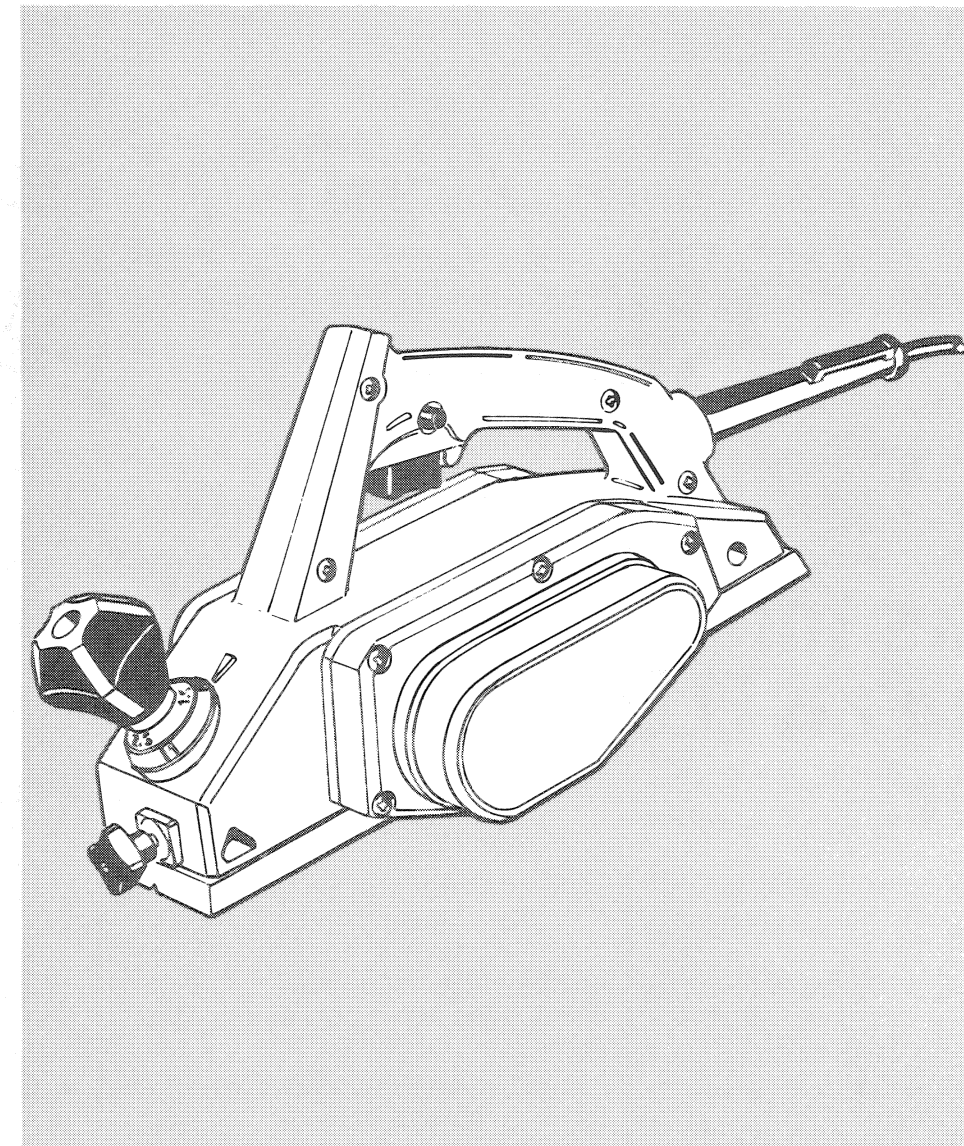
ELU warrants this product for one year from date of purchase. We will repair without charge, any defects due to faulty material or workmanship. Please return the complete unit, transportation prepaid, to any Black & Decker Service Center or Authorized Service Station listed under "Tools Electric" in the yellow pages. This warranty does not apply to accessories or damage caused where repairs have been made or attempted by others.

Like most Black & Decker products your tool is listed by Underwriters Laboratories to ensure that it meets stringent safety requirements.

This symbol on the nameplate means the product is listed by Underwriters Laboratories, Inc.



ELUTM
WOODWORKING TOOLS BY
BLACK & DECKER



Instruction Manual

3 1/8" Planer

3375

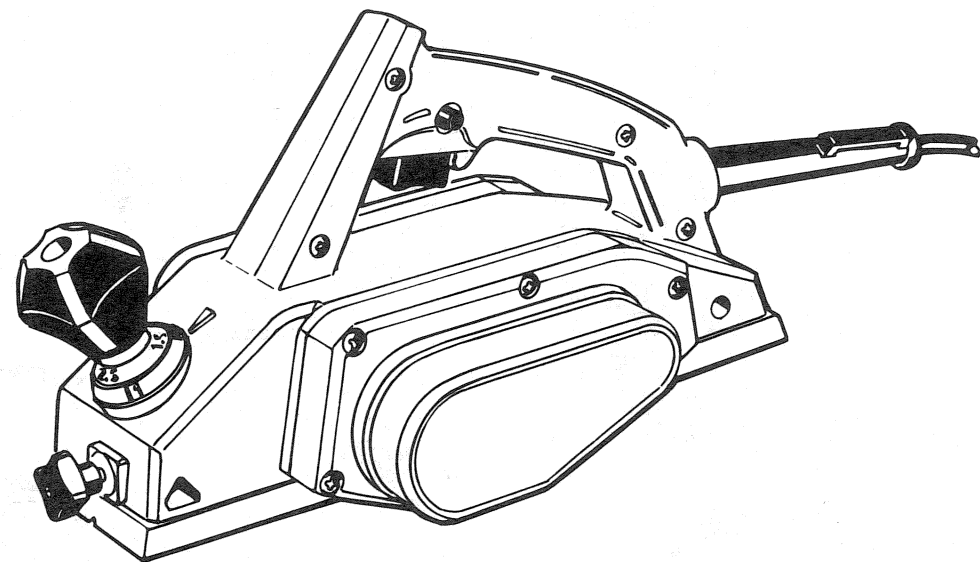
ELUTM
WOODWORKING TOOLS BY
BLACK & DECKER

BLACK & DECKER (U.S.) INC., U.S. Power Tools Group, 10 North Park Drive, P.O. 798, Hunt Valley, MD 21030-0798 U.S.A.

Form No. 741396
(NOVEMBER92) ©1987 Printed in U.S.A.

080 04 00 04

Download from Www.Somanuals.com. All Manuals Search And Download.



Thanks for buying an ELU Planer.

Your new ELU planer is a tough, reliable and hard working professional just like you'd expect from Black & Decker. Every inch the pro that you are, your planer is a precision tool capable of producing exceptionally smooth and precise surfaces.

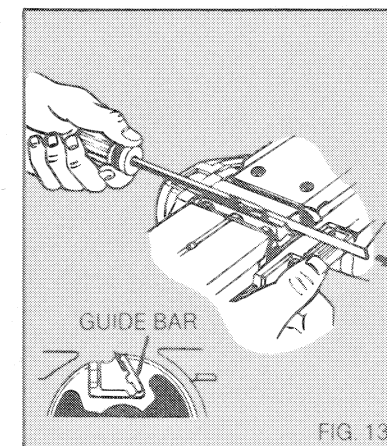
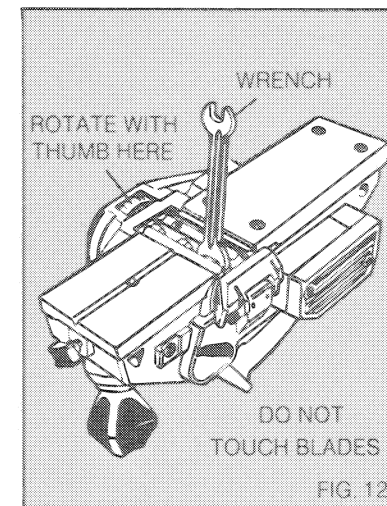
It's ELU dependable so you can count on it time and time again to produce first class results that

you'll be proud of.

Please take the time to read this informative instruction manual and pay particular attention to the safety rules we've provided for your protection.

Don't forget to send in your owner's registration card.

Thanks, again for buying Black & Decker!



Accessories

Black & Decker offers a selection of replacement blades and other accessories to enhance the versatility of your planer. Visit your local Black & Decker Service Center where recommended accessories can be purchased.

If you should need assistance in locating recommended accessories for your tool, contact:

Black & Decker (U.S.) Inc.
User Services Department
10 North Park Drive
P.O. Box 857
Hunt Valley, MD 21030-0857

Recommended accessories for your tool are available at extra cost from your local Black & Decker Service Center. The use of any other accessories or attachments may be hazardous. If you have any questions concerning which accessories are recommended, contact Black & Decker at the above address.

Lubrication

All bearings used are factory lubricated to last the life of the bearings.

Maintenance

After every use of the tool, make sure the tool is cleaned out with an air hose and free of all debris.

Important

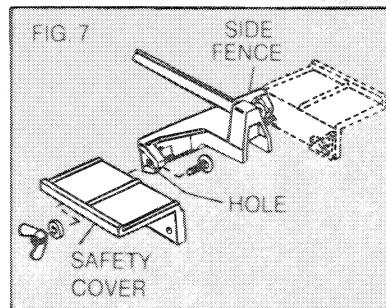
To assure product SAFETY and RELIABILITY, repairs, maintenance and adjustment, (including brush inspection and replacement) should be performed by qualified service organizations, always using ELU replacement parts.

ELU tools are serviced by Black & Decker Company owned Service Centers.

ELUTM
WOODWORKING TOOLS BY
BLACK & DECKER

Side Fence Safety Cover

The planer is equipped with an adjustable side fence to assist you in planing long pieces. A safety cover mounted to the side fence covers all of the planer blade that is not being used to plane. Assemble the side fence and safety cover as shown in Figure 7.

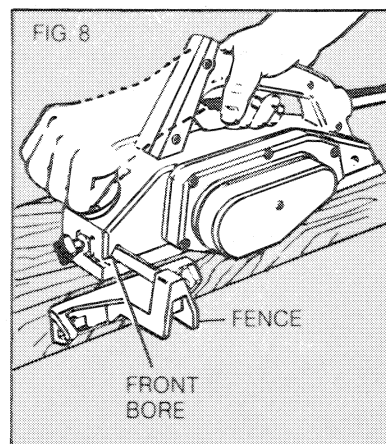


NOTE: When using the whole width of the blade for planing, as shown in Figure 8, the safety cover need not be installed; it will not cover any portion of the blade in this situation.

Fence Adjustment

The side fence is secured in the front bore. Mount the fence as shown in (Fig. 8), and use it to guide the planer along the edge of the wood. **NOTE:** In order for the fence to perform properly, the edge of the wood must be flat and at 90° from the surface being planed.

NOTE: For proper rabbeting, it is necessary to use fence. Refer to (Fig. 10).

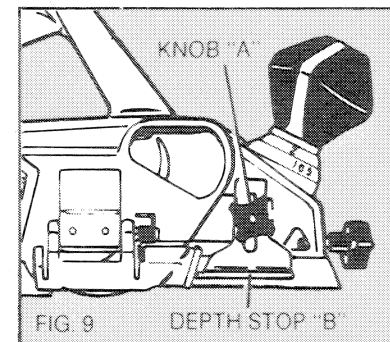


Rabbeting

Install the Depth Stop and secure it using the Depth Stop Knob. (Both of these parts are in the plastic bag packed with your planer.)

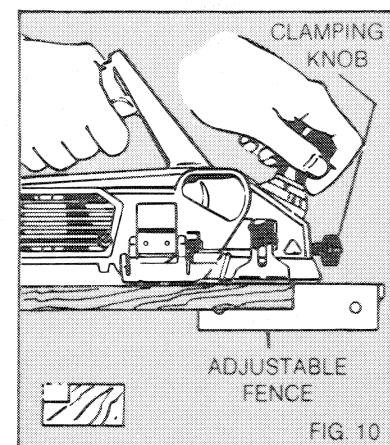
UNPLUG PLANER

To set depth of rabbet, loosen knob "A", set depth stop "B" to desired dimension (Measure from bottom of fixed shoe, to bottom of depth stop). Tighten knob "A" (Fig. 9). Before doing any finishing work, make several practice cuts on scrap lumber until you feel comfortable with the planer and rabbeting guide. (Remember that several shallow cuts are better than one deep cut). Maximum rabbeting depth is 27/32" (22mm). Maximum removal in one pass is 1/8" (3mm) therefore several cuts will be required to obtain maximum rabbeting depth of 27/32" (22mm).



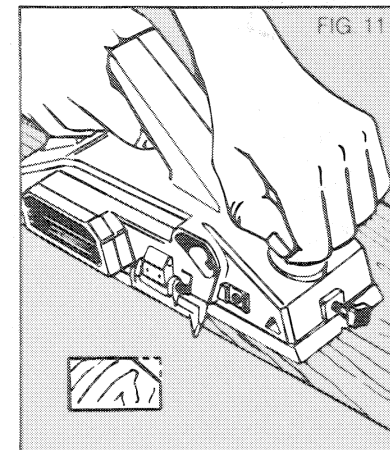
Adjustment of Rabbet Width

For proper rabbeting, it is necessary to use the fence. Refer to (Fig. 10). Adjust to desired cutting width by loosening fence clamping knob, move fence to preferred setting, then retighten knob.



Edge Chamfering

Your planer has a precision machined groove in the center of the front of the shoe for planing along the edge of the wood. Here, again, it's a good idea to try a piece of scrap wood before doing finish work. (Fig. 11).



How To Change And Adjust Blades

For best results, always use sharp blades. Check for damaged blades and replace as necessary. Replacement blades are available at your local Black & Decker Service Center.

NOTE: Blades are dual edged and reversible for extended cutting life.

TO CHANGE BLADES

1. Unplug the planer.
2. Loosen the three hex head bolts with the wrench provided. (Fig. 12).
3. Slide blade out with screwdriver and turn over or replace with new blade. **CAUTION:** When changing blades, do not remove guide bar from drum. See (Fig. 13).
4. Rotate drum by hand, as shown in Figure 12, to make sure blade does not interfere with housing. Check both sides.
5. Alternately tighten 3 hex head bolts gradually until secure. This procedure prevents misalignment of blade due to clamping forces.
6. Repeat procedure for blade #2.
7. Before doing any finish work, make a few cuts on scrap lumber to assure blades are properly installed.

Important Safety Instructions

WARNING: When using Electric Tools, basic safety precautions should always be followed to reduce risk of fire, shock, and personal injury, including the following:

READ ALL INSTRUCTIONS

1. **KEEP WORK AREA CLEAN.** Cluttered areas and benches invite injuries.
2. **CONSIDER WORK AREA ENVIRONMENT.** Don't expose power tools to rain. Don't use power tools in damp or wet locations. Keep work area well lit.
3. **GUARD AGAINST ELECTRIC SHOCK.** Prevent body contact with grounded surfaces. For example: pipes, radiators, ranges, refrigerator enclosures.
4. **KEEP CHILDREN AWAY.** All visitors should be kept away from work area. Do not let visitors contact tool or extension cord.
5. **STORE IDLE TOOLS.** When not in use, tools should be stored in dry, and high or locked-up place—out of reach of children.
6. **DON'T FORCE TOOL.** It will do the job better and safer at the rate for which it was intended.
7. **USE RIGHT TOOL.** Don't force small tool or attachment to do the job of a heavy-duty tool. Don't use tool for purpose not intended, for example, don't use circular saw for cutting tree limbs or logs.
8. **DRESS PROPERLY.** Do not wear loose clothing or jewelry. They can be caught in moving parts. Rubber gloves and non-skid footwear are recommended when working outdoors. Wear protective hair covering to contain long hair.
9. **USE SAFETY GLASSES.** Also use face or dustmask if cutting operation is dusty.
10. **DON'T ABUSE CORD.** Never carry tool by cord or yank it to disconnect from receptacle. Keep cord from heat, oil, and sharp edges.
11. **SECURE WORK.** Use clamps or a vise to hold work. It's safer than using your hand and it frees both hands to operate tool.
12. **DON'T OVERREACH.** Keep proper footing and balance at all times.
13. **MAINTAIN TOOLS WITH CARE.** Keep tools sharp and clean for better and safe performance. Follow instructions for lubricating and changing accessories. Inspect tool cords periodically and if damaged have repaired by authorized service facility. Inspect extension cords periodically and replace if damaged. Keep handles dry, clean, and free from oil and grease.
14. **DISCONNECT TOOLS.** When not in use, before servicing, and when changing accessories, such as blades, bits, cutters.
15. **REMOVE ADJUSTING KEYS AND WRENCHES.** Form habit of checking to see that keys and adjusting wrenches are removed from tool before turning it on.
16. **AVOID UNINTENTIONAL STARTING.** Don't carry plugged-in tool with finger on switch. Be sure switch is off when plugging in.
17. **OUTDOOR USE EXTENSION CORDS.** When tool is used outdoors, use only extension cords intended for use outdoors and so marked.
18. **STAY ALERT.** Watch what you are doing. Use common sense. Do not operate tool when you are tired.
19. **CHECK DAMAGED PARTS.** Before further use of the tool, a guard or other part that is damaged should be carefully checked to determine that it will operate and perform its intended function. Check for alignment of moving parts, binding of moving parts, breakage of parts, mounting, and any other conditions that may affect its operation. A guard or other part that is damaged should be properly repaired or replaced by an authorized service center unless otherwise indicated elsewhere in this instruction manual. Have defective switches replaced by authorized service center. Do not use tool if switch does not turn it on and off.
20. **DO NOT OPERATE** portable electric tools near flammable liquids or in gaseous or explosive atmospheres. Motors in these tools normally spark, and the sparks might ignite fumes.

SAVE THESE INSTRUCTIONS

Additional Operating Instructions

PRECAUTIONARY INSTRUCTIONS

1. **CAUTION**—Blades are extremely sharp. Avoid body contact.
2. Read owner's manual thoroughly before using tool.
3. Voltage must agree with specific data on the nameplate.
4. Be sure the switch is in "OFF" position before connecting tool to power supply.
5. Switch tool "OFF" immediately if tool should become jammed in work.
6. Be sure tool is disconnected from power source when cleaning, adjusting, or doing maintenance on the tool.
7. Planer should be properly set and adjusted before turning unit on.
8. Use specified replacement parts only.
9. Maintain tool with care. Follow instructions for changing blades.
10. Store tool in a clean dry place after disconnecting from power source.
11. Do not force tool, allow tool to perform as it was designed. Use only sharp blades.
12. Do not allow visitors to approach work area, especially children.
13. Do not cover the air vents on the tool. Vents must be kept open for motor cooling.
14. Do not leave tool unattended without disconnecting from power source.
15. Do not yank cord when disconnecting tool from power supply.
16. Do not carry the tool by power cord.
17. Do not carry planer with your finger on the switch.
18. Do not lay tool down on shoe when the blades are exposed.
19. Do not allow planer blade to contact metal objects. This may chip or damage blades.
NOTE—Do not use chipped or damaged blades.
20. Do not obstruct side chip chute.

21. Always use fence unless surface planing. Use extreme caution, stay clear of drive belt and cutter location.
22. Turn off tool immediately after finishing cut.
SAVE THESE INSTRUCTIONS

Double Insulation

Your unit is **DOUBLE-INSULATED** to give you added safety. This means that it is constructed throughout with **TWO** separate "layers" of electrical insulation or one **DOUBLE** thickness of insulation between you and the tool's electrical system.

Tools built with this insulation system are not intended to be grounded. As a result, your tool is equipped with a two-prong plug which permits you to use extension cords without concern for maintaining a ground connection.

NOTE: DOUBLE INSULATION does not take the place of normal safety precautions when operating this tool. The insulation system is for added protection against injury resulting from a possible electrical insulation failure within the tool.

CAUTION: When servicing all tools, **USE ONLY IDENTICAL REPLACEMENT PARTS.** Repair or replace damaged cords.

Extension Cords

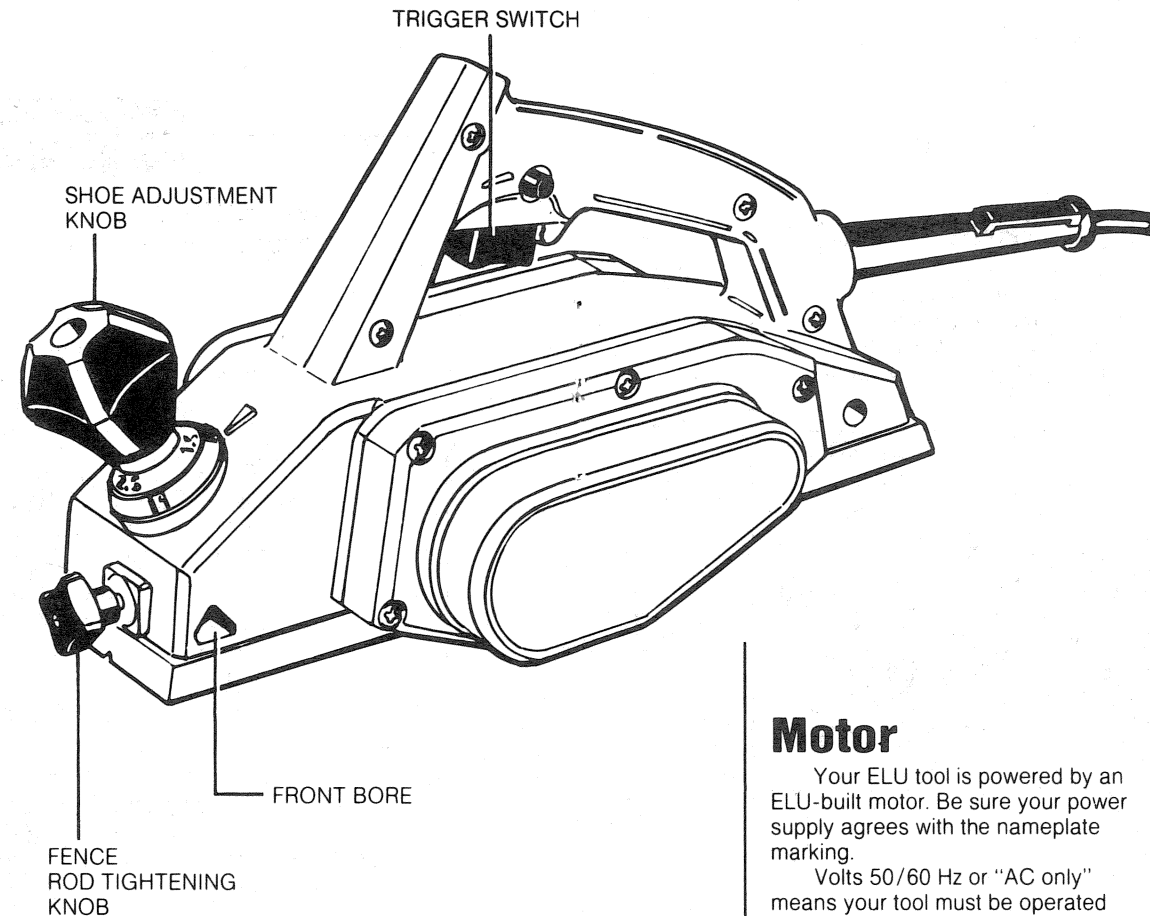
Double insulated tools have 2 wire cords, and can be used with 2 wire or 3 wire extension cords. Only round jacketed extension cords should be used, and we recommend that they be listed by Underwriters Laboratories (U.L.). If the extension will be used outside, the cord must be suitable for outdoor use. Any cord marked as outdoor can also be used for indoor work. The letters "WA" on the cord jacket indicate that the cord is suitable for outdoor use.

An extension cord must have adequate wire size (AWG or American Wire Gauge) for safety, and to prevent loss of power and overheating. The smaller the gauge number of the wire, the greater the capacity of the cable, that is 16 gauge has more capacity than 18 gauge. When using more than one extension to make up the total length, be sure each individual extension contains at least the minimum wire size.

To determine the minimum wire size required, refer to the chart below:

NAMEPLATE RATING-AMPS	CHART FOR MINIMUM WIRE SIZE (AWG) OF EXTENSION CORDS							
	25	50	75	100	125	150	175	200
0 - 10.0	18	18	16	16	14	14	12	12
10.1 - 13.0	16	16	14	14	14	12	12	12
13.1 - 15.0	14	14	12	12	12	12	12	—

Before using an extension cord, inspect it for loose or exposed wires, damaged insulation, and defective fittings. Make any needed repairs or replace the cord if necessary.



Motor

Your ELU tool is powered by an ELU-built motor. Be sure your power supply agrees with the nameplate marking.

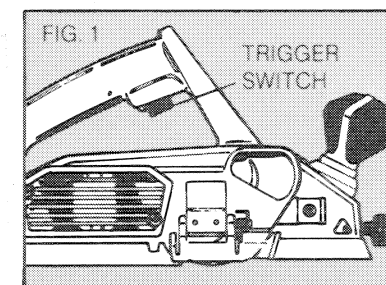
Volts 50/60 Hz or "AC only" means your tool must be operated only with alternating current and never with direct current.

Voltage decrease of more than 10% will cause loss of power and overheating. All ELU tools are factory tested; if this tool does not operate, check the power supply.

Switch

Always pick up your planer by the handle before depressing the switch. **NOTE:** Always remember to keep free hand away from bottom of planer. The planer is started by depressing the trigger in the handle. To turn the planer off, release the trigger (Fig. 1). Allow time for the blades to stop turning before setting the tool down.

To lock the planer "ON" squeeze the trigger locking button in the handle next to the trigger. Hold the locking button in while you release the trigger and the tool will continue to run. To release the trigger lock, squeeze and release the trigger once.



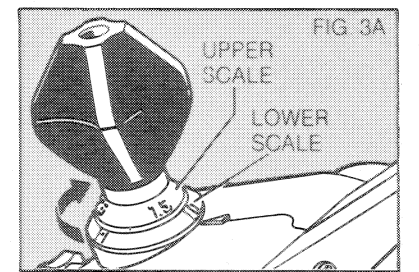
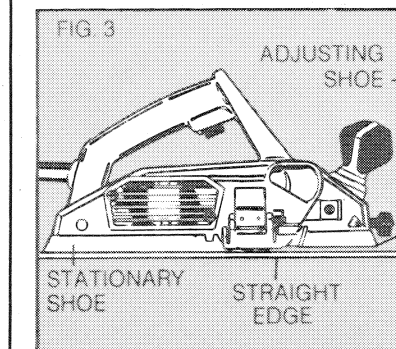
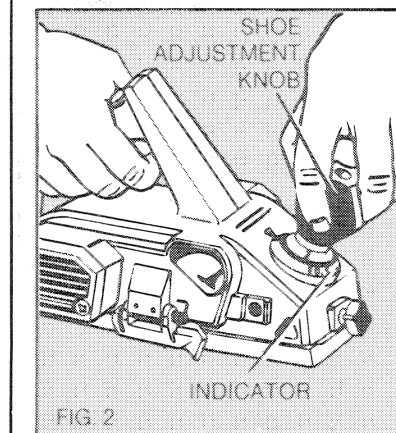
Adjusting Planing Depth

UNPLUG PLANER

The adjustment of the desired depths is accomplished by turning shoe adjustment knob.

First, set the planing depth to zero by placing a straight edge along the bottom of the tool and adjusting the front shoe until the front and stationary shoes are of equal height (Fig. 3). (At this point, no light will pass between the shoes and the straight edge.)

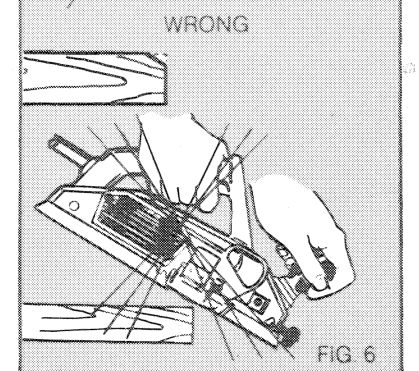
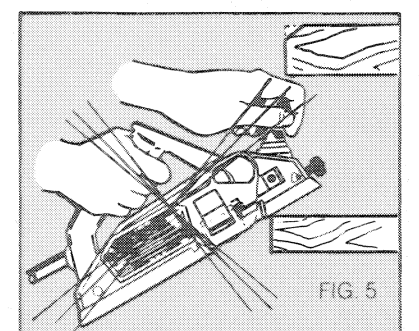
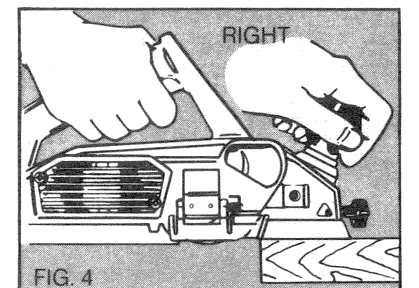
When both the adjustable shoe and the stationary shoe are even, the adjusting knob should read zero on the lower scale, as shown in Figure 3A. From that starting point, rotate the adjusting knob clockwise to raise the adjustable shoe. Each full revolution of the adjusting knob raises the shoe 1/16" (1.5 mm) and the scale on the knob is marked in .5 mm graduations. On the first revolution of the knob, read the graduations on the bottom of the knob and on the second revolution, read the upper graduations, as shown in Figure 3A. When you have adjusted the planer, practice on a piece of scrap wood until you are comfortable with the tool.



Planing

With one hand holding the handle, place the front shoe on the work, making certain blades are not touching the work. Put pressure on the handle so that the front shoe is absolutely flat on the work (Fig. 4). Start to plane with motor running at full speed. **NOTE:** Several shallow passes will produce a smoother surface than one deep one.

In the beginning and in the end of planing, be especially careful to keep your planer flat on the work (Fig. 5 & 6).



Free Manuals Download Website

<http://myh66.com>

<http://usermanuals.us>

<http://www.somanuals.com>

<http://www.4manuals.cc>

<http://www.manual-lib.com>

<http://www.404manual.com>

<http://www.luxmanual.com>

<http://aubethermostatmanual.com>

Golf course search by state

<http://golfingnear.com>

Email search by domain

<http://emailbydomain.com>

Auto manuals search

<http://auto.somanuals.com>

TV manuals search

<http://tv.somanuals.com>