

Price Pfister®

Pf Pfreshest Ideas in Pf faucets.

8A2♦42-A♦J42 Series

Serie 8A2♦42-A♦J42

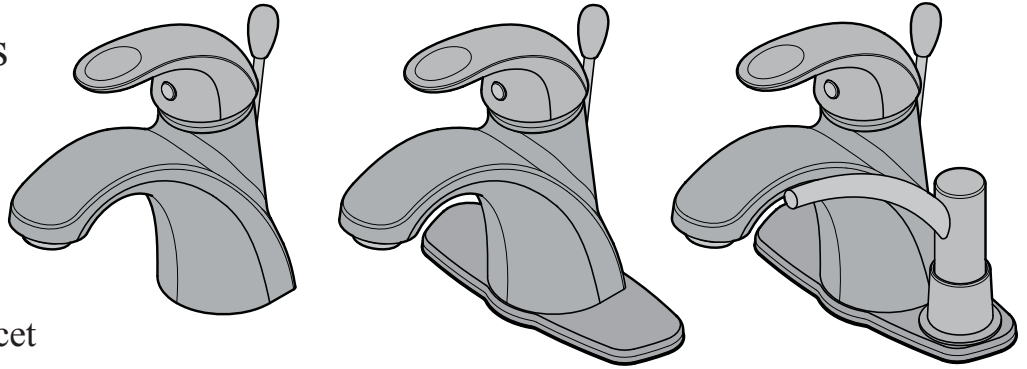
Série 8A2♦42-A♦J42

PARISA™

Single Control Lavatory Faucet

Grifo Monomando para el Baño

Mitigeur de Robinet pour Lavabo



Price Pfister

Lifetime Limited Mechanical & Pfinish Warranty
Covers Pfinish and Pfunction for as Long as You
Own Your Home

(Commercial Applications Limit the Duration of the
Warranties as Provided Below)

Price Pfister provides the following Warranties for its products. Proof of Purchase may be required in order to obtain any of the benefits set forth below.

Limited Warranties: Price Pfister warrants that for as long as the original purchaser owns the home in which the Price Pfister product (the "Product") is originally installed, the Product will be free of all defects in material and workmanship that would impair the intended and proper use of the Product. If the Product is installed in a commercial application, the above mechanical warranty shall be limited for a period of ten (10) years from the date of purchase of the Product.

Price Pfister warrants against deterioration of the Product's finish for as long as the original purchaser owns the home in which the Product is originally installed. If the Product is installed in a commercial application, the above finish warranty for Products that do not contain the Pforever finish shall be limited to a period of five (5) years from the date of purchase.

Exclusive Remedy: In the event of any defect in the Product that breaches the foregoing warranties, Price Pfister, at its option, will repair or replace the defective part of the Product. Repair or replacement of the Product is the exclusive remedy.

For any remedy under this warranty, Price Pfister is to be notified describing the problem. In order to notify Price Pfister and receive assistance or service under this warranty, the original purchaser may: (1) call 1-800-Pfaucet (1-800-732-8238) for a consumer service representative who can assist you, or (2) write consumer service department c/o Price Pfister Inc., 19701 DaVinci, Lake Forest, CA 92610, and include a description of the problem, model number, your name, address, phone number and approximate date of purchase, or (3) email Price Pfister's customer service department by going to www.PricePfister.com, or (4) notify the location or distributor from which the Product was purchased. In any case, you may be required to return the Product to Price Pfister for inspection and proof of purchase may be required.

Limitations and Exclusions:

PRICE PFISTER WILL NOT BE LIABLE FOR ANY OTHER DAMAGES OR LOSSES, INCLUDING, BUT NOT LIMITED TO, INCIDENTAL AND/OR CONSEQUENTIAL DAMAGES, REGARDLESS OF THE LEGAL THEORY ASSERTED, INCLUDING ANY CLAIM OR BREACH OF WARRANTY HEREUNDER OR ANY OTHER CAUSE, AND WHETHER ARISING IN CONTRACT OR IN TORT (including negligence and strict liability).

Price Pfister has the right to discontinue or modify any product at any time. Some states do not allow limitations or exclusions of incidental or consequential damages, so the above limitations or exclusions may not apply to you. This warranty gives you specific legal rights, and you may also have other rights which vary from state to state.

The above warranties do not cover damage resulting from improper maintenance, repair, cleaning or installation, misuse, abuse, alterations, accidents or Acts of God.



Price Pfister

Garantía Mecánica y sobre el Acabado Limitada de por Vida
Cubre las funciones y el acabado por el tiempo en que usted sea
propietario de su casa

(Las Aplicaciones Comerciales Limitan la Duración
de las Garantías)

Price Pfister suministra las siguientes Garantías para sus productos. Es posible que se requiera la presentación de una Prueba de compra para obtener cualquiera de los beneficios indicados a continuación.

Garantías Limitadas: Price Pfister garantiza que por el tiempo en que el comprador original sea propietario de la casa en la que hubiese instalado inicialmente el producto Price Pfister (el "Producto"), este Producto estará libre de todo defecto en material y mano de obra que pueda afectar el uso proyectado y correcto del Producto. Si el Producto se instala en una aplicación comercial, la garantía mecánica que antecede estará limitada a un periodo de diez (10) años a partir de la fecha de compra del Producto.

Price Pfister garantiza el acabado del Producto contra deterioro por el tiempo en que el comprador original sea propietario de la casa en la que hubiese instalado inicialmente el Producto. Si el Producto se instala en una aplicación comercial, la garantía sobre el acabado que precede para Productos que no contengan el acabado "Pforever" estará limitada a un periodo de cinco (5) años a partir de la fecha de compra.

Recurso exclusivo: En el caso de que haya un defecto en el Producto que viole las garantías que preceden, Price Pfister, a su opción, reparará o reemplazará la pieza defectuosa del Producto. La reparación o el reemplazo del Producto es el recurso exclusivo.

Para todo recurso con respecto a esta garantía, Price Pfister deberá ser notificado, con una descripción del problema. Para notificar a Price Pfister y recibir ayuda o servicio bajo esta garantía, el comprador original puede: (1) llamar al 1-800-Pfaucet (1-800-732-8238) para hablar con un representante de servicio al cliente que lo pueda ayudar, o (2) escribir al departamento de servicio al consumidor, c/o Price Pfister Inc., 19701 DaVinci, Lake Forest, CA 92610 U.S.A., e incluir una descripción del problema, el número del modelo, su nombre, dirección, número de teléfono y fecha aproximada de compra, o (3) enviar un e-mail al departamento de servicio al consumidor de Price Pfister entrando en la página web www.PricePfister.com, o (4) avisarle al lugar o al distribuidor en donde se compró el Producto. En cualesquiera de los casos, podría pedirse devolver el Producto a Price Pfister para su inspección y es posible que se requiera la presentación de una prueba de compra.

Limitaciones y Exclusiones:

PRICE PFISTER NO SE HARÁ RESPONSABLE DE NINGÚN OTRO DAÑO O PERJUICIO, INCLUYENDO, PERO SIN ESTAR LIMITADO A DAÑOS INCIDENTALES Y/O CONSECUENTES, SIN IMPORTAR LA TEORÍA LEGAL A LA QUE SE ALEGUE, INCLUYENDO TODO RECLAMO O VIOLACIÓN DE LA GARANTÍA PRESENTE O CUALQUIER OTRA CAUSA, Y YA SEAN COMO RESULTADO DE LA LEY CONTRACTUAL O LA DE ANTECEDENTES (incluyendo negligencia y responsabilidad estricta).

Price Pfister tiene el derecho de discontinuar o modificar cualquier producto en cualquier momento. Ciertos estados no permiten limitaciones o exclusiones de daños incidentales o consecuentes, de manera que es posible que las limitaciones o exclusiones que preceden no correspondan en su caso. Esta garantía le otorga derechos legales específicos y es posible que usted también tenga otros derechos que difieren entre un estado y otro.

Las garantías que preceden no cubren daños y perjuicios ocasionados como resultado de mantenimiento, reparaciones, limpieza o instalación inadecuados, mal uso, abuso, alteraciones, accidentes o causas de fuerza mayor.



Price Pfister

Une garantie limitée à vie
pour ce qui est de l'aspect mécanique et de la finition,
tant et aussi longtemps que vous serez propriétaire
de votre domicile.

(Garantie limitée en cas d'utilisation commerciale
- voir ci-dessous)

Veillez noter qu'une preuve d'achat peut être requise en cas de recours au titre de la garantie.

Garantie limitée: Tant et aussi longtemps que l'acheteur sera propriétaire du domicile dans lequel le produit Price Pfister a été installé, nous lui garantissons que ce dernier sera exempt de tout défaut de matériau ou vice de fabrication pouvant entraver l'utilisation correcte tel que prévu. Dans le cas des produits d'utilisation commerciale, la garantie exprimée ci-dessus est restreinte à une période de dix (10) ans.

Par ailleurs, tant et aussi longtemps que l'acheteur sera propriétaire du domicile dans lequel le produit Price Pfister a été installé, nous lui garantissons un article dont la finition ne pourra se détériorer. Dans le cas des produits d'utilisation commerciale qui ne comportent pas la finition "Pforever", la garantie est restreinte à une période de cinq (5) ans.

Recours exclusif: En cas de défaut du produit relevant de la garantie, le fabricant pourra, à sa discrétion, réparer ou remplacer la partie défectueuse. Cette mesure constitue un recours exclusif.

Pour tout recours au titre de la garantie, les clients doivent communiquer avec le fabricant pour lui faire part du problème. L'acheteur d'origine peut: (1) composer le 1 800 732-8238 pour parler à un représentant qui l'assistera; (2) écrire au service à la clientèle: Price Pfister Inc., 19701 DaVinci, Lake Forest, CA 92610 U.S.A., et fournir une explication du problème, en précisant le numéro de modèle, son nom, son adresse et son numéro de téléphone, ainsi que la date d'achat approximative; (3) communiquer par courrier électronique avec le service à la clientèle en utilisant le site www.PricePfister.com, ou (4) aviser le détaillant qui a vendu le produit. On peut être obligé de retourner le produit au fabricant, et une preuve d'achat peut être exigée.

Limitations et exclusions:

PRICE PFISTER NE SERA PAS RESPONSABLE DES AUTRES DOMMAGES OU PERTES, Y COMPRIS LES DOMMAGES INDIRECTS, INDÉPENDamment DE TOUTE THÉORIE JURIDIQUE, Y COMPRIS TOUTE RÉCLAMATION SELON LAQUELLE IL Y AURAIT EU RUPTURE DE GARANTIE, QUE CE SOIT PAR RAPPORT À UN CONTRAT OU PAR VOIE DE NÉGLIGENCE (cela comprend la négligence et la responsabilité stricte).

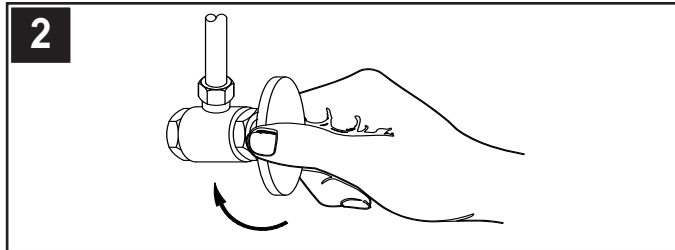
Price Pfister se réserve le droit de discontinuer ou de modifier un produit en tout temps. Certaines provinces ne permettent pas l'exclusion ou la limitation des dommages indirects, de sorte que la limitation exprimée peut ne pas s'appliquer. La présente garantie octroie aux clients certains droits d'ordre juridique, et ceux-ci pourraient en avoir d'autres, selon la province où ils habitent.

La garantie ne s'applique pas aux dommages résultant d'un entretien, d'un nettoyage ou d'une installation fautivement effectués, ou encore d'usages fautifs, d'abus, de modifications, d'accidents ou de catastrophes naturelles.

Thank you for purchasing this Price Pfister Lavatory Faucet. All Price Pfister products are carefully engineered and factory tested to provide long trouble-free use under normal conditions. This Lavatory Faucet is easy to install using basic tools and our easy to follow illustrated instructions. If you have any questions regarding your Lavatory Faucet installation, call 1-800-Pfaucet (1-800-732-8238).

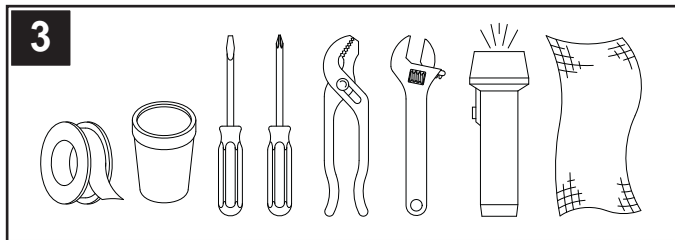
1 BEFORE PROCEEDING

WARNING: Read all the instructions completely before proceeding. Price Pfister recommends calling a professional if you are uncertain about installing this product!
This product should be installed in accordance with all local and state plumbing and building codes.



2 SHUT OFF WATER SUPPLY

Locate water supply inlets and shut off the water supply valves. These are usually found under the sink or near the water meter. If you are replacing an existing faucet, remove the faucet from the sink and clean the sink surface thoroughly.

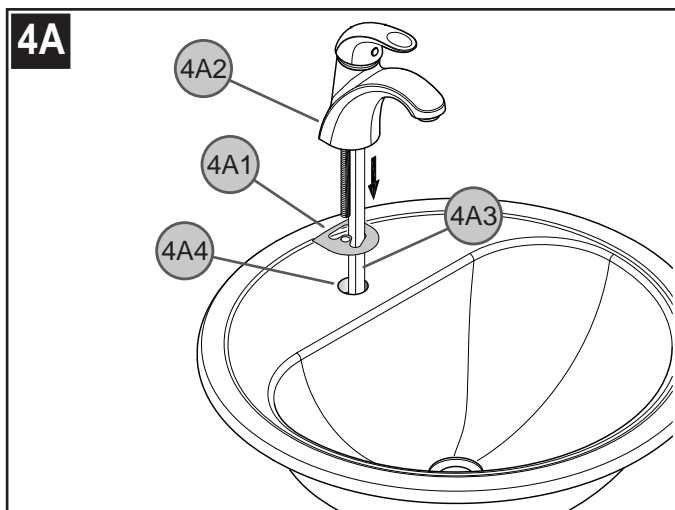


3 TOOLS RECOMMENDED

- PTFE plumber's tape or thread sealant
- Plumber's putty
- Slotted screwdriver
- Phillips head screwdriver
- Pliers
- Adjustable wrench
- Flashlight
- Cloth

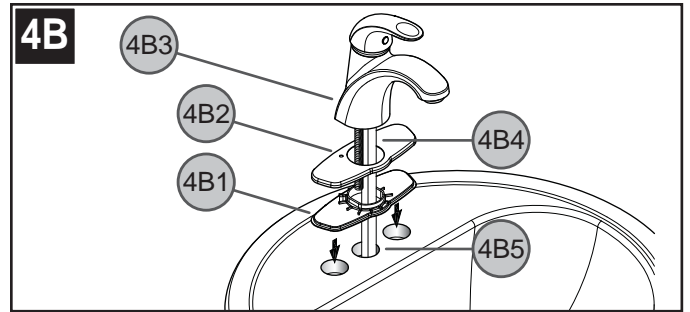
Your installation may require supply lines and/or shut-off valves, cone washers, friction rings, or other additional tools. Consult the store where your faucet was purchased for recommended connections that may be required for you area.

FAUCET INSTALLATION STEPS



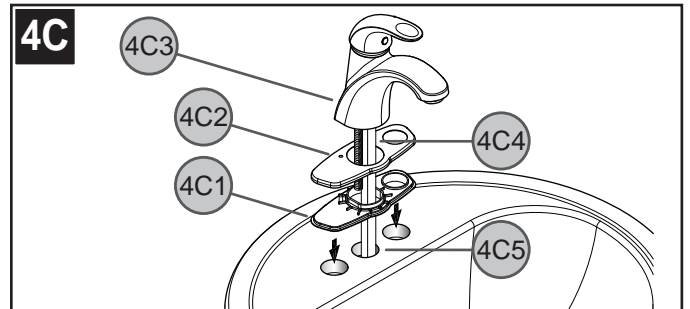
4A INSTALLING FAUCET WITH SINGLE HOLE MOUNTING

Assemble Base Washer (4A1) to Faucet Body (4A2). With the handle and spout facing forward, carefully install the Faucet Supply Tubes (4A3) through the center hole of sink (4A4).



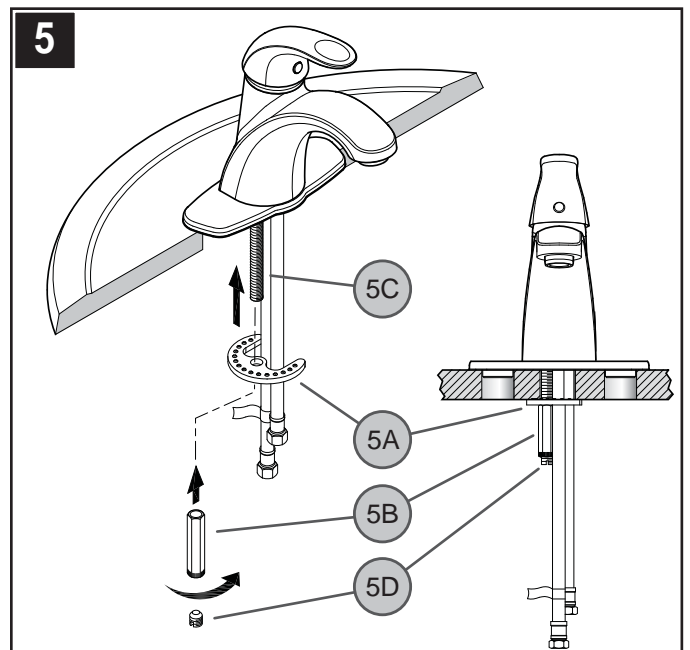
4B INSTALLING FAUCET WITH DECKPLATE

Ensure that the Plastic Putty Plate (4B1) is pressed on the Deckplate (4B2). Place a bead of plumber's putty in the groove along the outer edge of the Putty Plate (4B1). Assemble Deckplate and Putty Plate to Faucet Body (4B3). With the handle and spout facing forward, carefully install the Faucet Supply Tubes (4B4) through the center hole of sink (4B5).



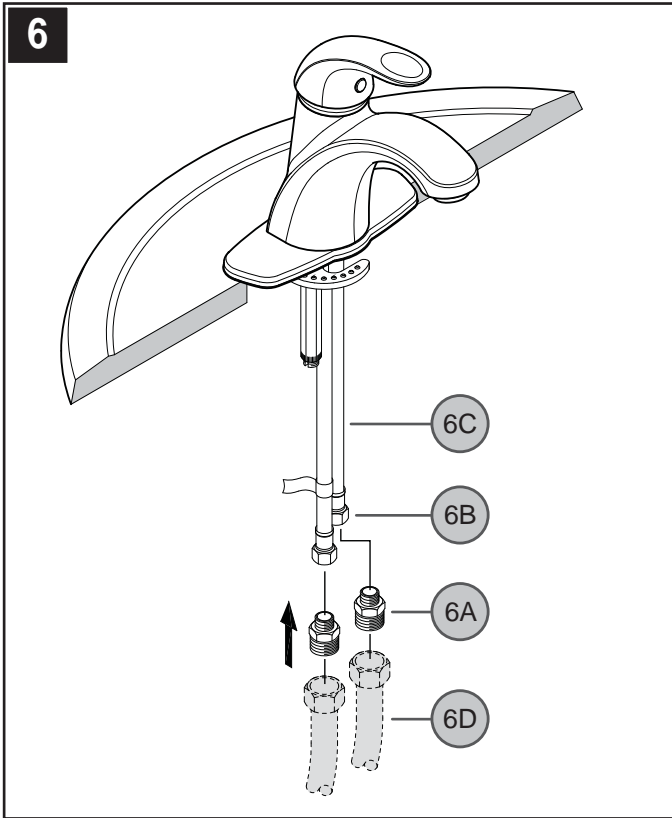
4C INSTALLING FAUCET WITH SOAP DISPENSER

Ensure that the Plastic Putty Plate (4C1) is pressed on the Deckplate (4C2). Place a bead of plumber's putty in the groove along the outer edge of the Putty Plate (4C1). Assemble Deckplate and Putty Plate to Faucet Body (4C3). With the handle and spout facing forward, carefully install the Faucet Supply Tubes (4C4) through the center hole of sink (4C5).



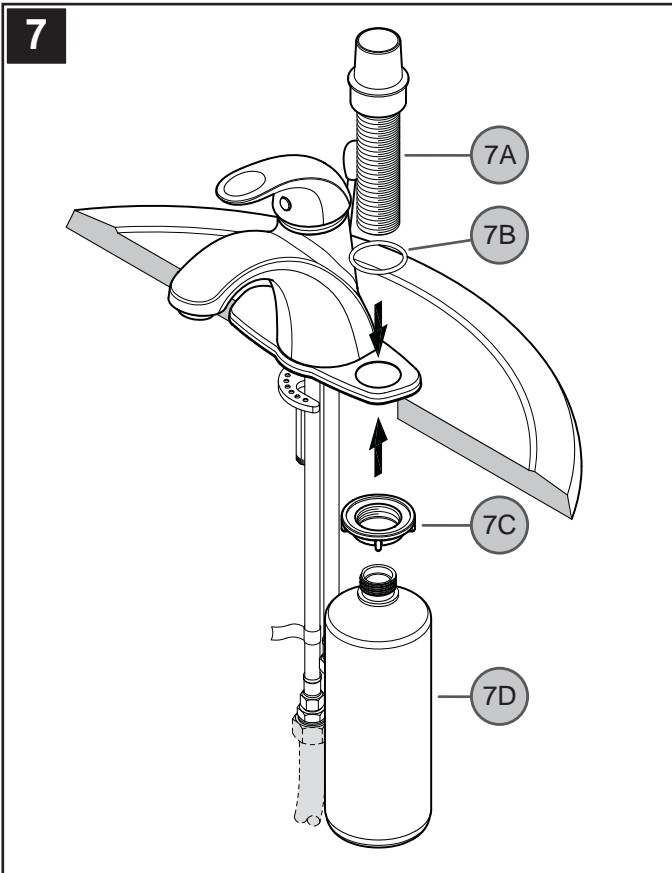
5 SECURING FAUCET

From underneath sink, secure the faucet by placing the Metal Washer (5A) and the Long Nut (5B) (7/16 hex.) onto the Mounting Post (5C). Make sure that the bumps on the Metal Washer (5A) are facing up. Tighten using a flathead screwdriver or an adjustable wrench until the faucet is firmly connected to the sink. Secure connection by screwing the Setscrew (5D) onto the Long Nut (5B). Do not over tighten!



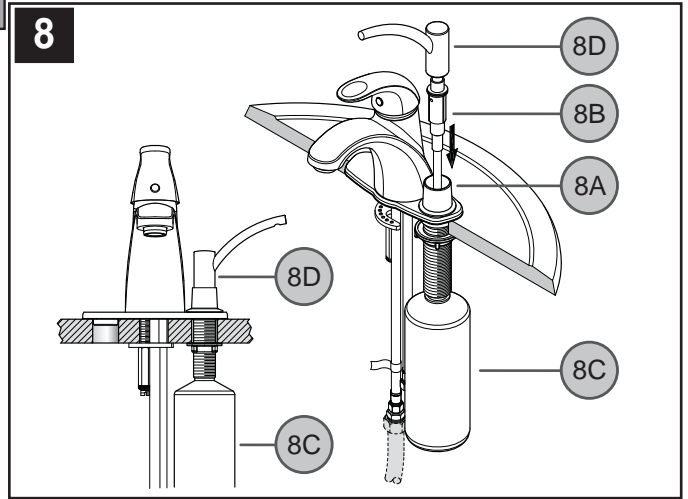
6 WATER SUPPLY CONNECTIONS

Thread the 1/2" NPSM Adapter (6A) into the 3/8" Nut (6B). Tighten using wrenches on both the Adapter and the Nut. Make connection to the Faucet Inlet (6C). Repeat for the other tube. Connect water Supply Lines (6D) to Faucet Inlets (6C). (Supply lines and fittings are not included).



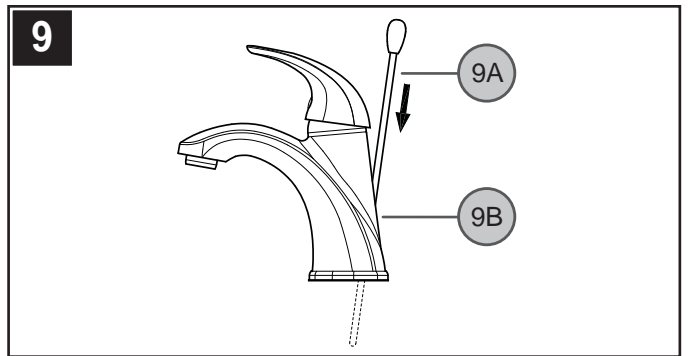
7 SOAP DISPENSER INSTALLATION

Insert threaded Shank (7A) of soap dispenser body through Rubber Gasket (7B) and sink hole. Tighten Nut (7C) and thread on Bottle (7D) to Shank (7A).



8 SOAP DISPENSER HEAD INSTALLATION

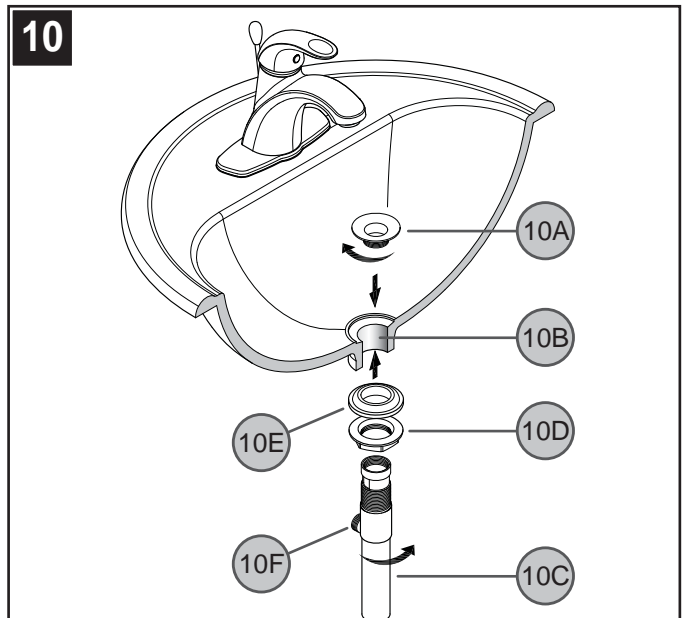
Pour liquid soap (not included) into the Shank Opening (8A). Install Dispenser Mechanism (8B) into Dispenser Head (8D). Insert Dispenser Head (8D) and Dispenser Mechanism (8B) into Soap Dispenser Body (8C).



9 POP-UP ROD CONNECTION

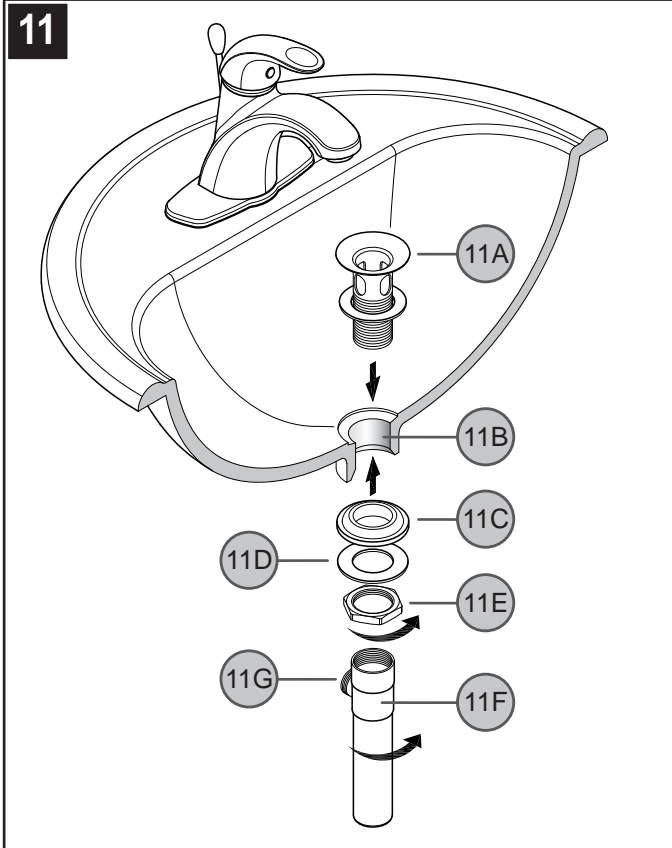
Insert Lift Rod (9A) into hole at the back of Spout Hub (9B). Gently, slide Lift Rod (9A) down the hole in Spout Hub (9B).

POP-UP DRAIN BODY INSTALLATION STEPS



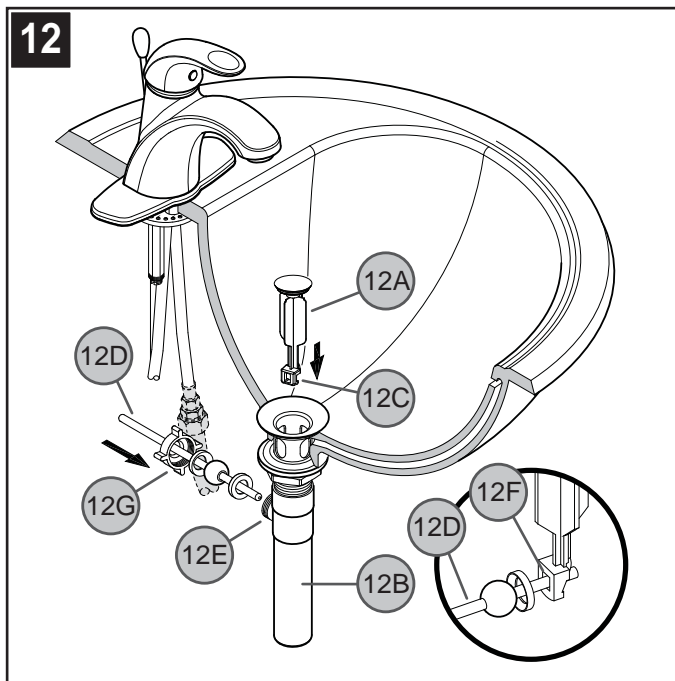
10 ALL METAL POP-UP INSTALLATION

Apply a small bead of plumber's putty underneath the Flange (10A) and place a ring of putty around Drain Opening (10B) of sink. Use PTFE plumber's tape on all threaded fittings according to manufacturer's instructions. Insert Flange (10A) into Drain Opening (10B). From underneath, thread Drain Body (10C) to bottom of Flange (10A). Thread Locknut (10D) until Rubber Washer (10E) seats securely inside Drain Opening (10B). Hand tighten and adjust the Drain Body so that the Ball Rod Opening (10F) faces the rear. Wipe excess putty.



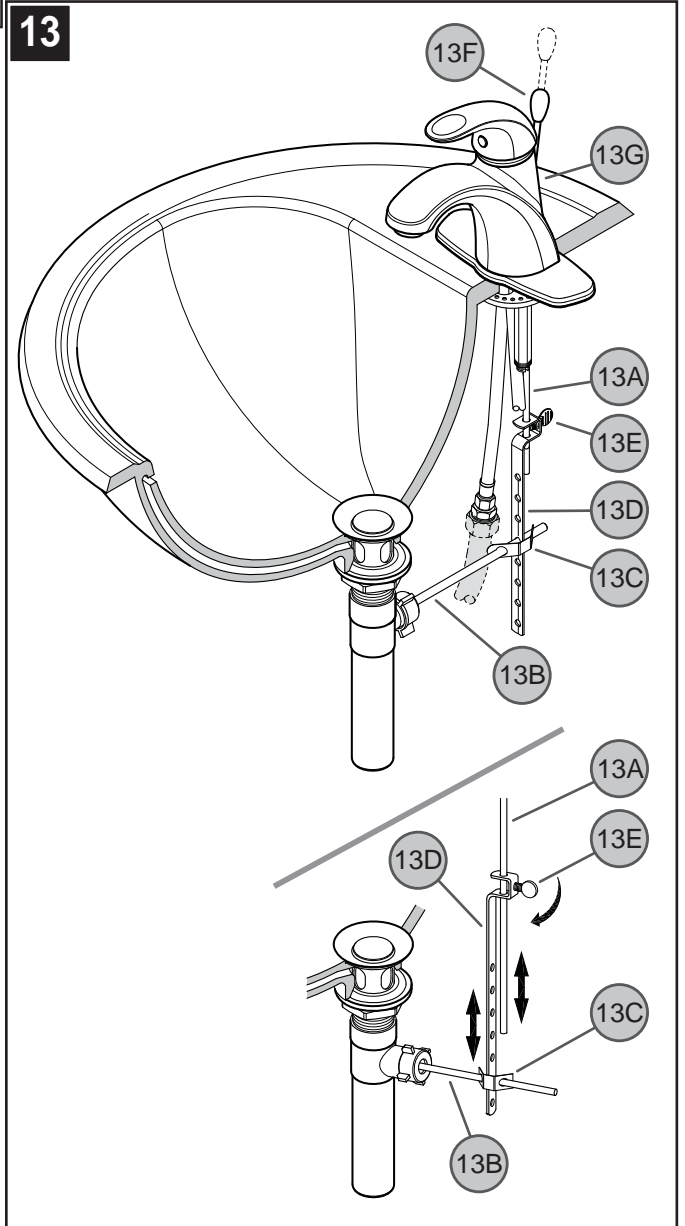
11 50/50 POP-UP INSTALLATION

Apply a small bead of plumber's putty underneath the Flange (11A) and place a ring of putty around Drain Opening (11B) of sink. Use PTFE plumber's tape to all threaded fittings according to manufacturer's instructions. Insert Flange (11A) into Drain Opening (11B). From underneath, insert Rubber Washer (11C) and Friction Washer (11D) over the bottom of Flange (11A). Thread Locknut (11E) until Rubber Washer (11C) seats securely inside Drain Opening (11B). Thread Drain Body (11F) to bottom of Flange (11A). Hand tighten and adjust the Drain Body so that the Ball Rod Opening (11G) faces the rear. Wrench tighten Locknut (11E) and wipe excess putty.



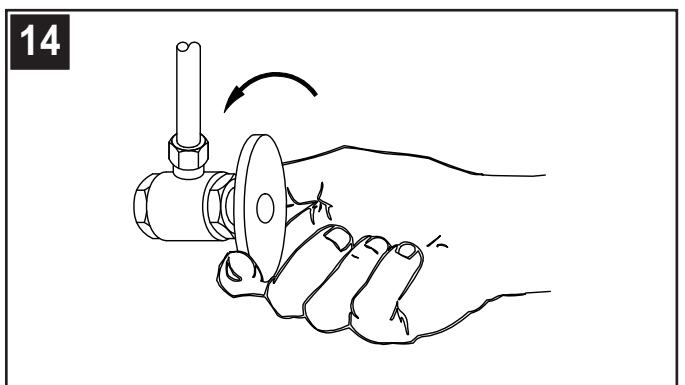
12 BALLROD ADJUSTMENT

Drop the Stopper (12A) into the Drain Body (12B) from the top with the Off-Set (12C) facing rear. From below, insert the Ball Rod (12D) into the Ball Rod Opening (12E) through the Stopper Hole (12F) and secure with the Nut (12G).



13 POP-UP ROD LINKAGE & ADJUSTMENT

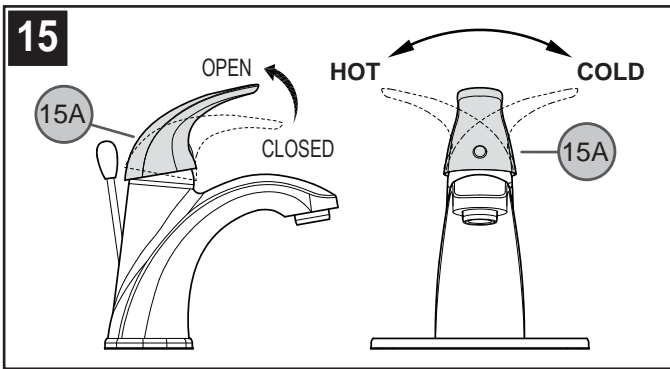
Place one end of Spring Clip (13C) on end of Ball Rod (13B). Insert Ball Rod (13B) across and through hole in Strap (13D). Secure other end of Spring Clip (13C). Insert bottom of Lift Rod (13A) into hole at top of Strap (13D). Tighten with Thumb Screw (13E). Adjust Lift Rod (13A) function by adjusting location of Thumb Screw (13E) along the Strap (13D), or by adjusting the hole in which Ball Rod (13B) goes through Strap (13D). Be sure to leave enough space between Lift Rod Knob (13F) and Spout Hub (13G) when Lift Rod is down.



14 UNIT START UP

Turn on hot and cold water supplies, and check for leaks above and below the sink.

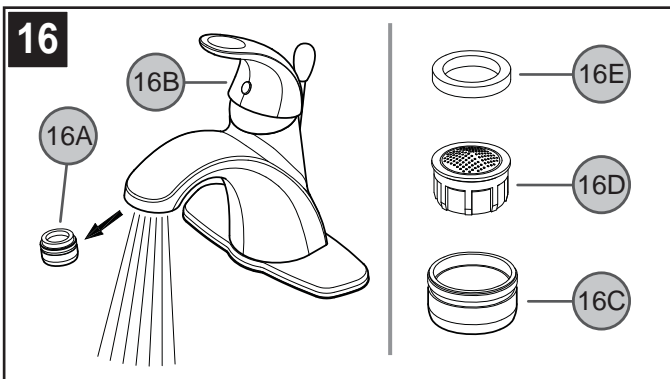
FAUCET FUNCTIONS



15 VALVE FUNCTION

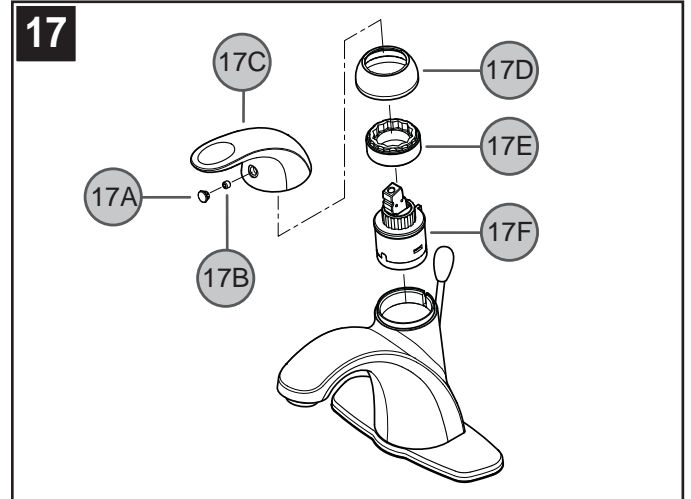
By lifting the Lever Handle (15A) up, the valve will be activated allowing water to flow. The water flow will increase by continuing to lift up the Lever Handle (15A). By rotating the Lever Handle counter-clockwise, the water temperature will decrease to cold flow only. By rotating the Lever Handle clockwise, the water temperature will increase to hot flow only.

MAINTENANCE & CARE



16 FLUSHING & AERATOR CLEANING

After installation is complete, remove Aerator Housing (16A). Turn Valve (16B) on and allow both hot and cold water to run for at least one minute each. While water is running, check for leaks. To clean the Aerator, disassemble Aerator Housing (16A) by separating the Aerator Head (16C), Basket (16D) and Washer (16E). Once parts have been cleaned, reassemble by reversing steps.



17 TROUBLESHOOTING

Turn off water supplies and relieve pressure before working on your faucet.

HANDLE REMOVAL

Carefully pry off Handle Button (17A) using a small screwdriver or blade. Using a $\frac{3}{32}$ " Allen wrench, loosen Set Screw (17B) and remove Handle (17C).

CARTRIDGE REPLACEMENT

Remove Handle (17C). Remove the Dome Cap (17D) by unscrewing counter-clockwise. Using pliers, unscrew the Retainer Ring (17E). Carefully remove the Cartridge (17F) by pulling it straight up and out. Reassemble faucet by reversing steps.



1-800-PFAUCET (1-800-732-8238)

For Toll-Free Pfaucet information call 1-800-PFAUCET (1-800-732-8238) or visit www.pricepfister.com

- Installation Support
- Care and Warranty Information



CAUTION: Maintenance

DISASSEMBLY

1. Replacement parts may be available at the store where you purchased your faucet.
2. When replacement parts are not available, please write or call Price Pfister Consumer Service.
3. **Always turn off water and relieve pressure before working on your faucet.**



NOTE: Trim Care

Cleaning Instructions:

For all handles and decorative finishes, use only a soft damp cloth to clean and shine. Use of polish, detergents, abrasive cleaners, organic solvents, or acid may cause damage. **Use of other than a soft damp cloth will nullify our warranty!**

Special Trim:

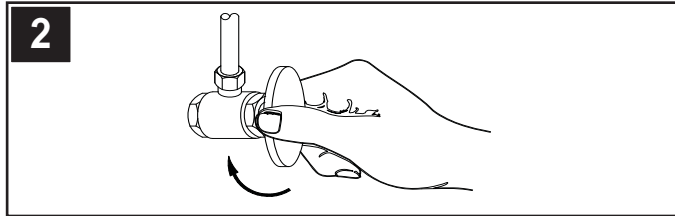
Trim products which contain porcelain or other similar substances are not acceptable for public areas or commercial use. Installation of said trim is at user's risk!



Le agradecemos su compra de este grifo para baño Price Pfister. Todos los productos Price Pfister se diseñan cuidadosamente y se prueban en fábrica para suministrar un uso sin problemas bajo condiciones normales. Este grifo para baño es fácil de instalar utilizando herramientas básicas y nuestras instrucciones con gráficos fáciles de seguir. Si tiene cualquier pregunta acerca de la instalación de su grifo para baño llame al 1-800-Pfaucet (1-800-732-8238).

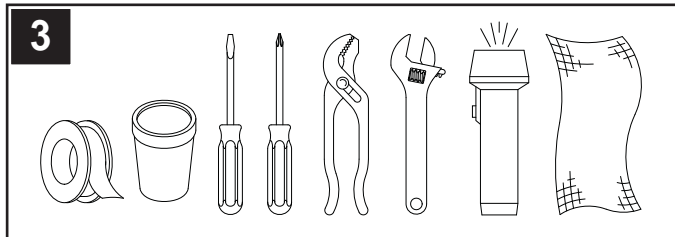
1 ANTES DE PROCEDER

ADVERTENCIA: Antes de proceder, lea completamente todas las instrucciones. ¡Price Pfister recomienda llamar a un profesional si no se está seguro acerca de cómo instalar este producto!
Este producto debe instalarse de acuerdo a los códigos de plomería y de construcción locales y estatales.



2 CIERRE EL SUMINISTRO DE AGUA

Ubique las entradas del suministro de agua y cierre las válvulas de suministro de agua. Generalmente se encuentran debajo del fregadero o cerca del medidor de agua. Si se trata de un reemplazo de grifo, quite el grifo viejo y limpie completamente la superficie del fregadero.

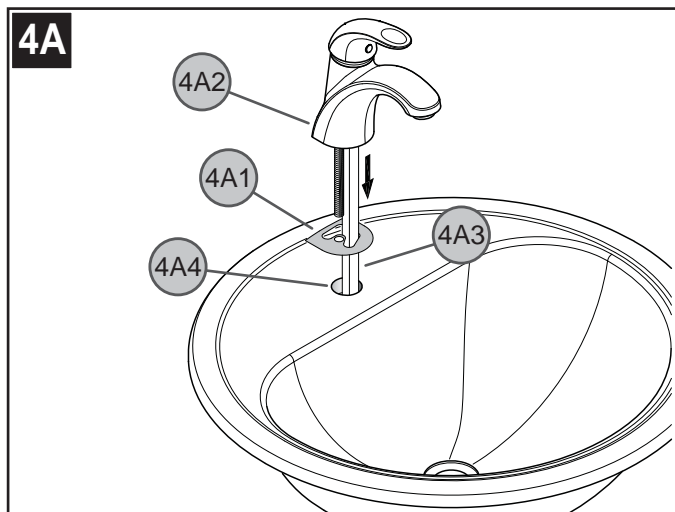


3 HERRAMIENTAS RECOMENDADAS

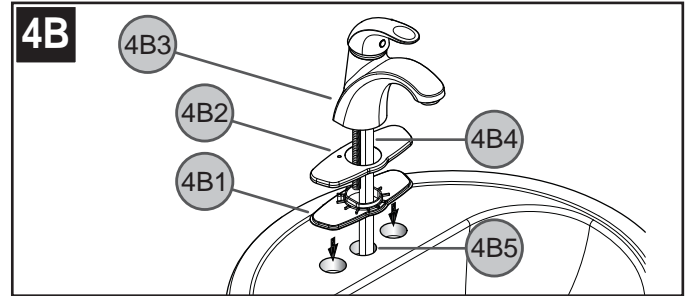
- Cinta para plomería PTFE o sello para roscas
- Masilla para plomería
- Destornillador recto
- Destornillador en cruz
- Tenazas
- Llave ajustable
- Linterna de mano
- Paño

Para hacer la instalación podría ser necesario contar con tuberías de suministro y/o válvulas de cierre, arandelas cónicas, anillos de fricción y otras herramientas adicionales. Para averiguar las conexiones recomendadas que podrían ser necesarias en su área, consulte el almacén donde compró su grifo.

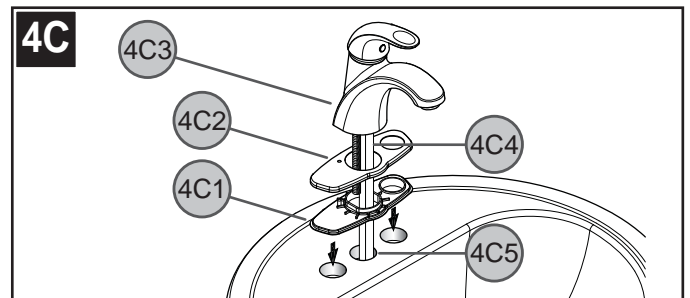
PASOS DE LA INSTALACIÓN DEL GRIFO



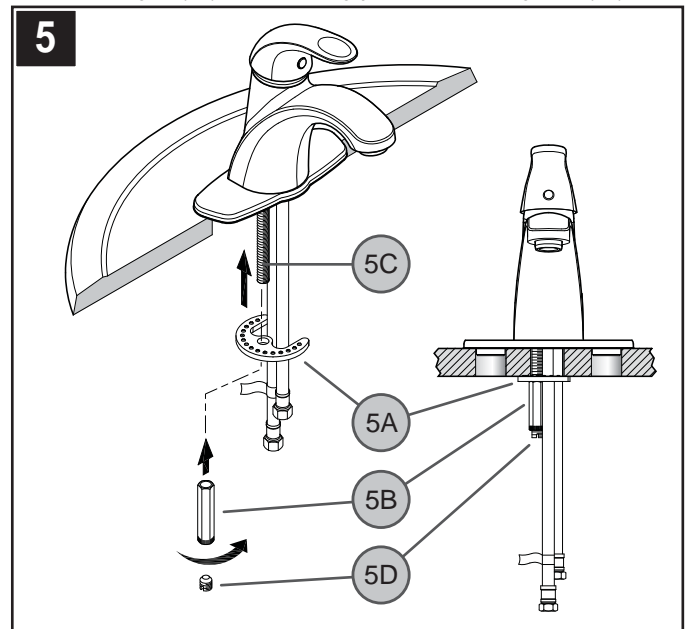
4A INSTALACIÓN DEL GRIFO CON MONTAJE DE ORIFICO SENCILLO
Instale la arandela de base (4A), en el cuerpo de la llave (4A). Con la manija y el surtidor apuntando hacia delante, instale cuidadosamente los tubos de suministro del grifo (4A) a través del agujero central del fregadero (4B).



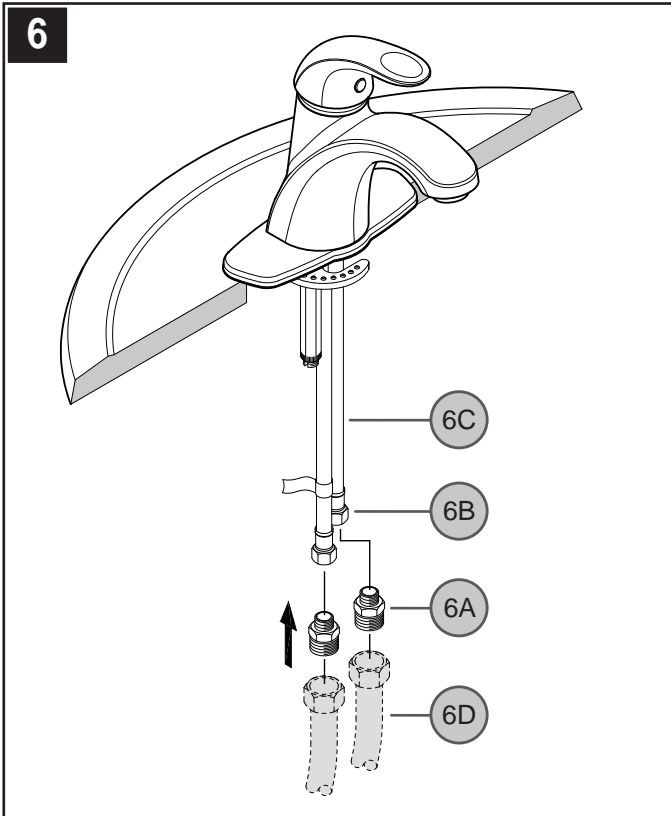
4B INSTALACIÓN DEL GRIFO CON LA PLACA DE CUBIERTA
Verifique que la placa de plástico para la masilla (5A) esté oprimida sobre la placa de cubierta (5B). Aplique un cordón de masilla de plomería en la ranura a lo largo del borde exterior de la placa para masilla (5A). Instale la placa de cubierta (B) y la placa para masilla (A) en el cuerpo de la llave (C). Con la manija y el surtidor apuntando hacia delante, instale cuidadosamente los tubos de suministro del grifo (4A) a través del agujero central del fregadero (4B).



4C CÓMO ASEGURAR EL GRIFO
Verifique que la placa de plástico para la masilla (7A) esté oprimida sobre la placa de cubierta (7B). Aplique un cordón de masilla de plomería en la ranura a lo largo del borde exterior de la placa para masilla (7A). Instale la placa de cubierta (B) y la placa para masilla (A) en el cuerpo de la llave (C). Con la manija y el surtidor apuntando hacia delante, instale cuidadosamente los tubos de suministro del grifo (4A) a través del agujero central del fregadero (4B).

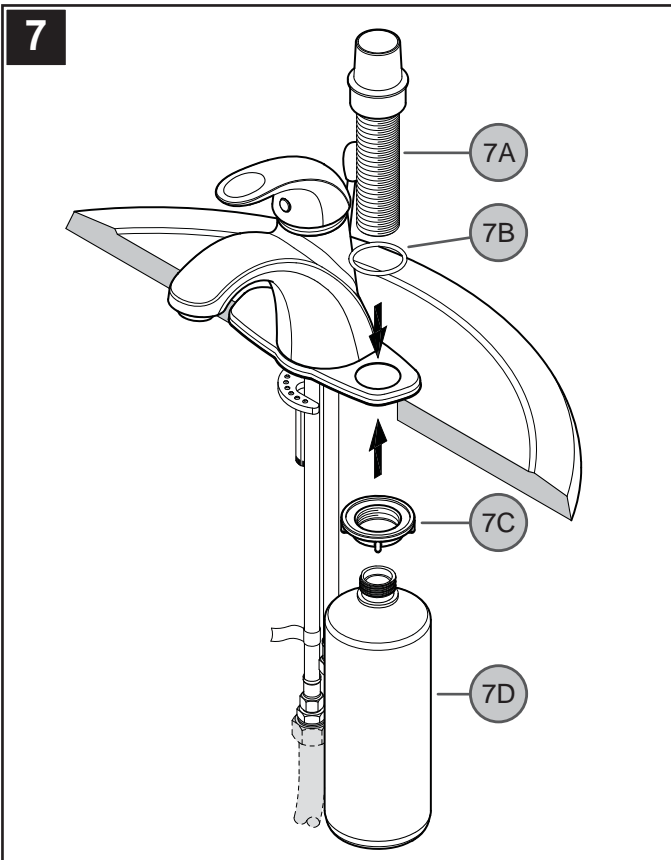


5 CÓMO ASEGURAR EL GRIFO
Desde abajo del fregadero, sujete el grifo colocando la arandela de metal (18A) y la tuerca larga (18B) (7/16 hex.) sobre el poste de montaje (18C). Asegúrese de que las protuberancias en la arandela de metal (18A) queden apuntando hacia arriba. Apriete con un destornillador de hoja plana o una llave ajustable hasta que el grifo esté firmemente conectado al fregadero. Sujete la conexión atornillando el tornillo de fijación (18D) en la tuerca larga (18B). ¡No apriete en exceso!



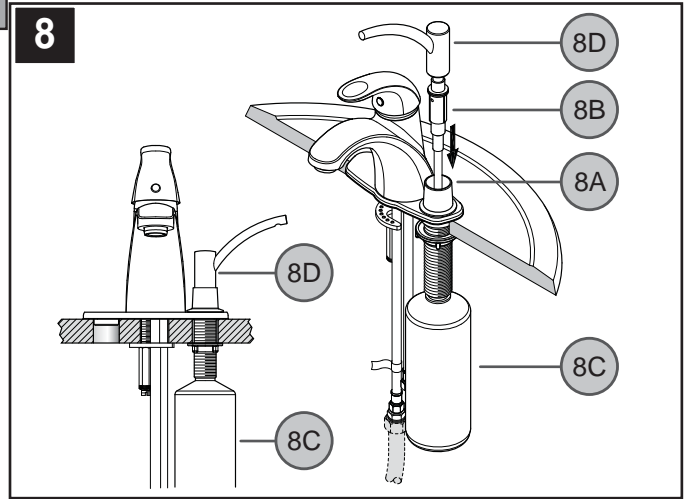
6 CONEXIONES DE SUMINISTRO DE AGUA

Enrosque el adaptador NPSM de ½ pul. (6A) en a tuerca de ¾ pul. (6B). Apriete usando las llaves de tuerca tanto en el adaptador como en la tuerca. Conecte el suministro de entrada (6C). Repita con el otro tubo. Conecte las entradas del grifo (6D) a las entradas del grifo (6C). (Las líneas de suministro y las guarniciones de fuente no son incluidas.)



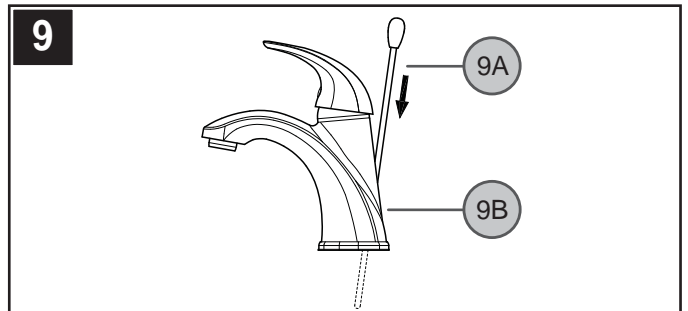
7 CÓMO INSTALAR EL DISPENSADOR DE JABÓN

Introduzca la espiga roscada (11A) del dispensador de jabón en la junta de goma (11B) contra espuma y el agujero del fregadero. Apriete la tuerca (11C) y enrosque la botella (11D) a la espiga (11A).



8 CÓMO INSTALAR EL CABEZAL DEL DISPENSADOR DE JABÓN

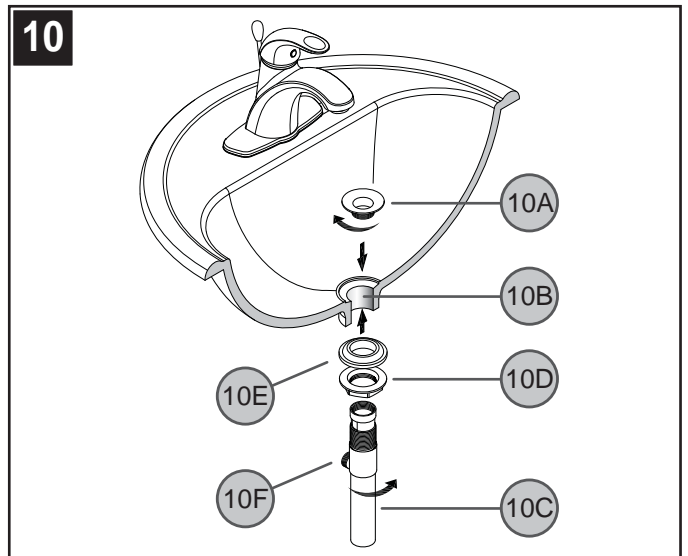
Vierta jabón líquido (no incluido) en la abertura de la espiga (8A). Instale el mecanismo de dispensador (8B) en la cabeza del dispensador (8D). Introduzca la cabeza del dispensador (8D) y el mecanismo de dispensador (8B) en el cuerpo del dispensador de jabón (8C).



9 CÓMO CONECTAR LA VARILLA PARA ELEVACIÓN

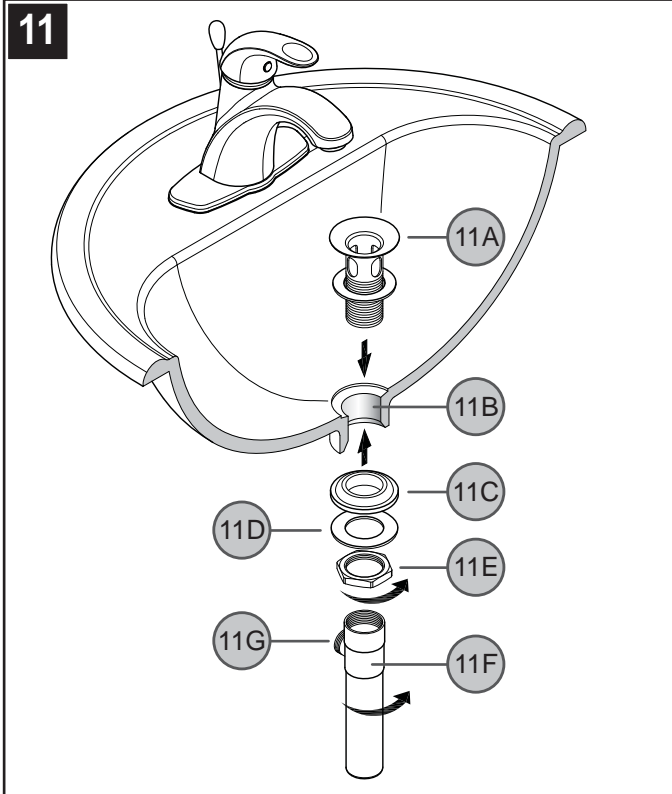
Introduzca la varilla para elevación (9A) en el agujero detrás del conducto (9B). Suavemente, coloque la varilla para elevación (9A) en el agujero en el núcleo del conducto (9B).

PASOS DE LA INSTALACIÓN DEL CUERPO DE DRENAJE DE SALTO



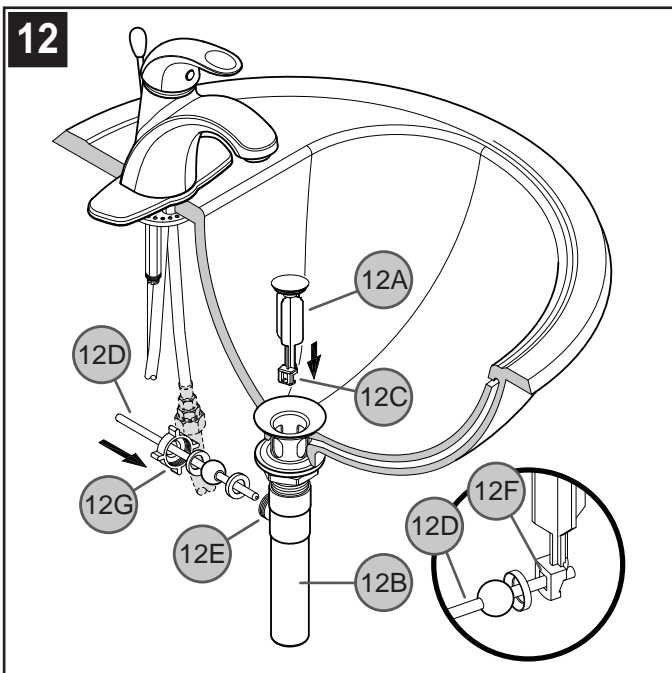
10 CÓMO INSTALAR EL SISTEMA DE SALTO DE METAL

Coloque una pequeña cantidad de masilla para plomería debajo del reborde (10A) y un anillo de masilla alrededor de la apertura para drenaje (10B) del fregadero. Coloque cinta para plomería PTFE alrededor de todos los conectadores con rosca siguiendo las instrucciones del fabricante. Introduzca el reborde (10A) en la apertura para drenaje (10B). Desde abajo, enrosque el cuerpo para drenaje (10C) en la parte inferior del reborde (10A). Enrosque la contratuercas (10C) hasta que la arandela de caucho (10E) se asiente firmemente dentro de la apertura para drenaje (10B). Apriete el cuerpo para drenaje con la mano y ajústelo de tal forma que la apertura para la varilla con esfera (10F) quede orientada hacia atrás. Quite el exceso de masilla.



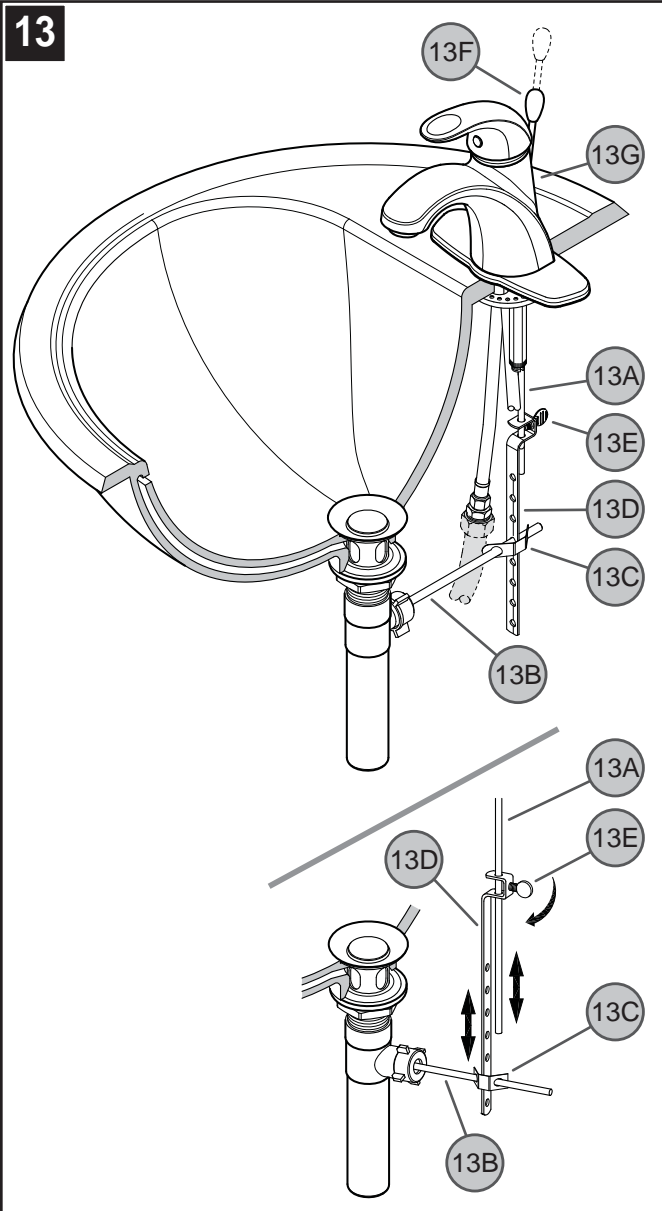
11 CÓMO INSTALAR EL SISTEMA DE SALTO 50/50

Coloque una pequeña cantidad de masilla para plomería debajo del reborde (11A) y un anillo de masilla alrededor de la apertura para drenaje (11B) del fregadero. Coloque cinta para plomería PTFE alrededor de todos los conectadores con rosca siguiendo las instrucciones del fabricante. Introduzca el reborde (11A) en la apertura para drenaje (11B). Desde abajo, introduzca la arandela de caucho (11C) y la arandela de fricción (11D) a través de la parte inferior del reborde (11A). Enrosque la contratuerca (11E) hasta que la arandela de caucho (11C) se asiente firmemente dentro de la apertura para drenaje (11B). Enrosque el cuerpo para drenaje (11F) en la parte inferior del reborde (11A). Apriete el cuerpo para drenaje con la mano y ajústelo de tal forma que la apertura para la varilla con esfera (11G) quede orientada hacia atrás. Apriete la contratuerca (11E) con una llave y quite el exceso de masilla.



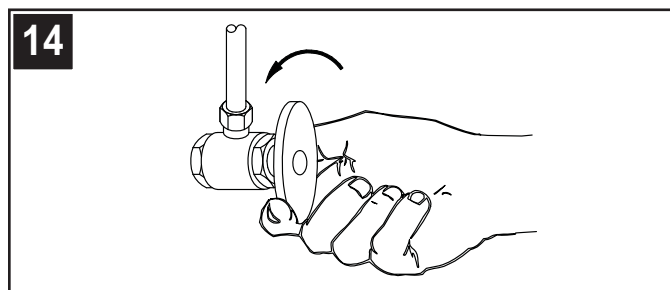
12 CÓMO AJUSTAR LA VARILLA CON ESFERA

Desde arriba introduzca el detenedor (12A) en el cuerpo para drenaje (12B) colocando el resalte (12C) hacia atrás. Desde abajo, introduzca la varilla con esfera (12D) en la apertura (12E) para la varilla con esfera pasando por el agujero (12F) del detenedor y asegúrelo con la tuerca (12G).



13 CÓMO ARTICULAR Y AJUSTAR EL SISTEMA DE SALTO

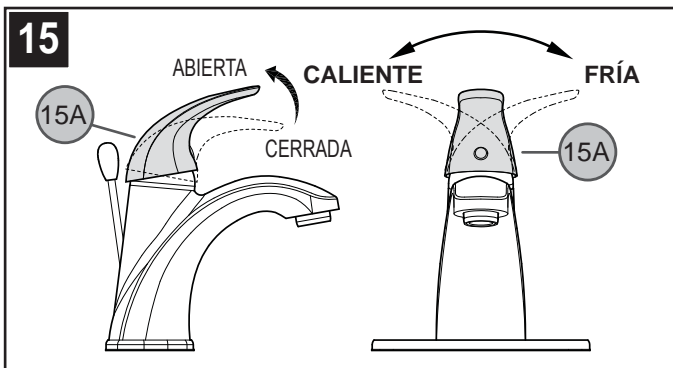
Coloque un extremo del sujetador de resorte (13C) en el extremo de la varilla con esfera (13B). Introduzca la varilla con esfera (13B) a través del agujero en la tira (13D). Coloque el otro extremo del sujetador de resorte (13C). Introduzca la parte inferior de la varilla para elevación (13A) en el agujero de la parte superior de la tira (13D). Apriétela con el tornillo para ajuste manual (13E). Ajuste el funcionamiento de la varilla para elevación (13A) ajustando la posición del tornillo para ajuste manual (13E) en la tira (13D) o cambiando el agujero en que la varilla con esfera (13B) se introduce en la tira (13D). Asegúrese de dejar suficiente espacio entre la perilla de la varilla para elevación (13F) y el núcleo del conducto (13G) cuando aquella se encuentre abajo.



14 CÓMO ACTIVAR LA UNIDAD

Abra el suministro de agua fría y caliente, luego verifique que no hay fugas por abajo y arriba del fregadero.

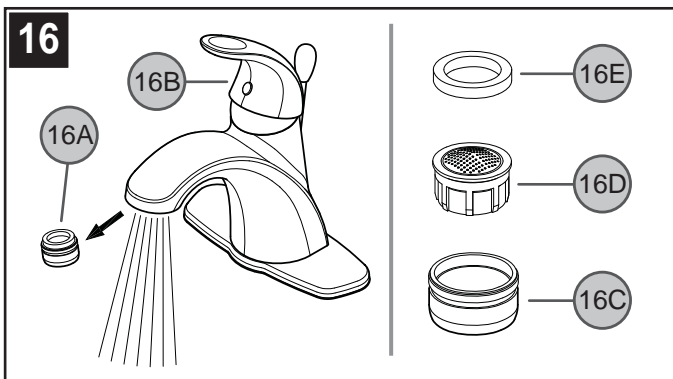
FUNCIONES DEL GRIFO



15 FUNCIÓN DE LA VÁLVULA

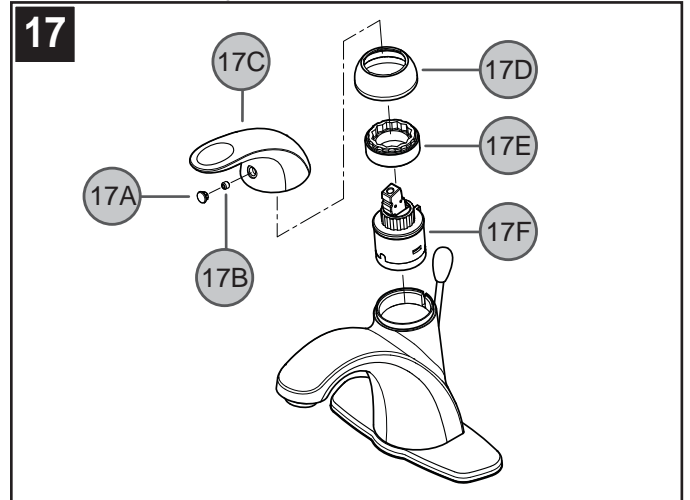
Al levantar la manija de palanca (15A), la válvula se activará y permitirá el flujo de agua. El flujo de agua aumentará al continuar levantando la manija de palanca (15A). Al girar la manija de palanca (15A) en sentido contrahorario, la temperatura del agua disminuirá hasta flujo frío únicamente. Al girar la manija de palanca (15A) en sentido horario, la temperatura del agua aumentará hasta flujo caliente únicamente.

MANTENIMIENTO Y CUIDADO



16 CÓMO ENJUAGAR Y LIMPIAR EL AERADOR

Luego de efectuar la instalación, retire la caja del aerador (16A). Abra las válvulas (16B) y deje correr el agua fría y caliente por lo menos un minuto cada una. Mientras el agua corre, verifique que no existan fugas. Para limpiar el aerador, desarme la caja del aerador (16A) separando el casco (16C), cesta (16D) y arandela (16E) del aerador. Una vez que haya limpiado las partes, reensámblelas siguiendo estos pasos en orden inverso.



17 IDENTIFICACIÓN Y RESOLUCIÓN DE PROBLEMAS

Cierre los suministros de agua y alivie la presión antes de trabajar en el grifo.

RETIRO DE LA MANIJA

Palanquee cuidadosamente y retire el botón de la manija (17A) con un destornillador o cuchilla pequeña. Con una llave inglesa de 3/32 pulg., quite el tornillo de fijación (17B) y retire la manija (17C).

REEMPLAZO DEL CARTUCHO

Retire la manija (17C). Quite la tapa en forma de cúpula (D) destornillándola en sentido contrahorario. Destornille el anillo de retención (E) con alicates. Quite el cartucho (F) con cuidado halándolo en forma recta hacia arriba y hacia afuera. Reensamble el grifo siguiendo los pasos en orden inverso.



1-800-PFAUCET (1-800-732-8238)

Para obtener información mediante llamadas gratis, llame al 1-800-PFAUCET (1-800-732-8238) o visite www.pricepfister.com

- Apoyo a instaladores
- Información sobre cuidado y garantías



PRECAUCIÓN: Mantenimiento

CÓMO DESARMAR:

1. El almacén donde compró su grifo podría tener repuestos disponibles.
2. Cuando no hay repuestos disponibles, sírvase escribir o llamar al departamento de servicio al consumidor de Price Pfister.
3. **Siempre antes de efectuar algún trabajo en su grifo, cierre el agua y elimine la presión.**



NOTA: Cuidado del Acabado

Instrucciones Para Limpieza:

Para limpiar y hacer brillar las manijas y el acabado decorativo use solamente un paño suave y húmedo. El uso de pulidores, detergentes, limpiadores abrasivos, solventes orgánicos o ácidos puede provocar daños. **¡El uso de algo más que un paño suave y húmedo invalida nuestra garantía!**

Acabados Especiales:

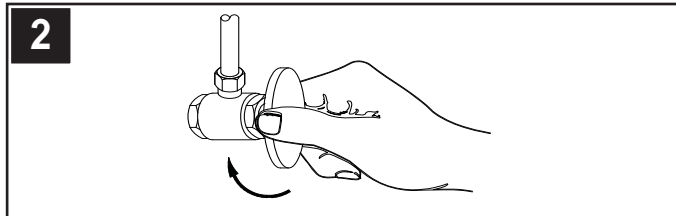
Los productos con acabados que contienen porcelana u otras sustancias similares no son aceptables para áreas públicas ni para usos comerciales. ¡Su instalación bajo tales circunstancias es bajo el riesgo del usuario!

Merci d'avoir acheté ce robinet pour lavabo Price Pfister. Tous les produits Price Pfister sont fabriqués avec soin et contrôlés à l'usine pour offrir une longue durée de service sans problème dans des conditions d'utilisation normales. Il est facile de poser ce robinet pour lavabo à l'aide d'un outillage de base et de nos illustrations très claires. Pour toute question concernant la pose de ce robinet de salle de bain, appeler le 1-800-Pfauet (1-800-732-8238).

1 AVANT DE PROCÉDER À LA POSE

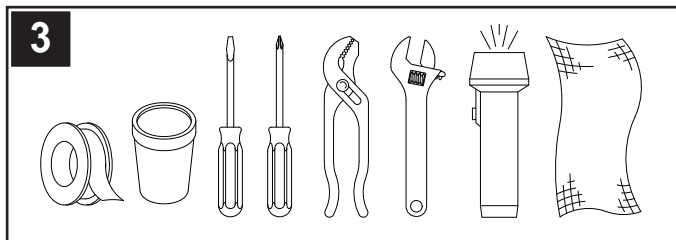


AVERTISSEMENT : Lire attentivement toutes les instructions avant de procéder à la pose. Price Pfister recommande de faire appel à un professionnel en cas d'incertitude quant à l'installation de ce produit ! Ce produit doit être installé conformément à l'ensemble de la réglementation locale et provinciale applicable à la plomberie et à la construction.



2 COUPURE DE L'ARRIVÉE D'EAU

Repérer les arrivées d'eau et fermer leurs robinets. Ces robinets se trouvent généralement sous le lavabo ou à côté du compteur d'eau. En cas de remplacement d'un robinet existant, le déposer du lavabo et nettoyer soigneusement la surface de ce dernier.

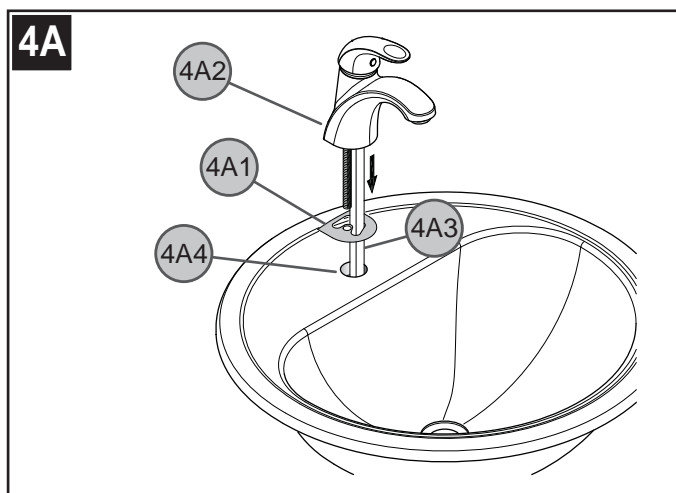


3 OUTILLAGE RECOMMANDÉ

- Ruban PTFE de plombier ou mastic d'étanchéité de filetage
- Mastic de plombier
- Pince
- Chiffon
- Tournevis plat
- Clé à molette
- Tournevis cruciforme
- Lampe de poche

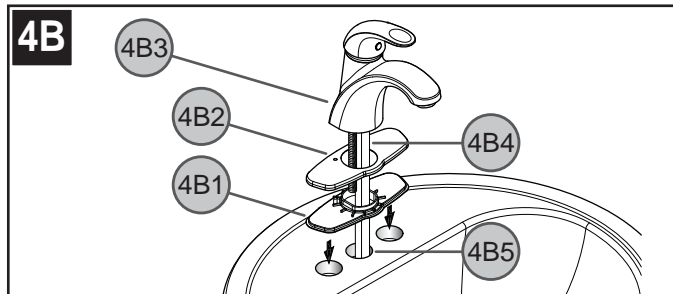
L'installation peut exiger des tuyaux d'arrivée et/ou des vannes d'arrêt neufs, des rondelles coniques, des anneaux de friction ou d'autres outils. Consulter le magasin dans lequel le robinet a été acheté pour connaître les branchements susceptibles d'être exigés par les conditions locales.

ÉTAPES D'INSTALLATION DE ROBINET



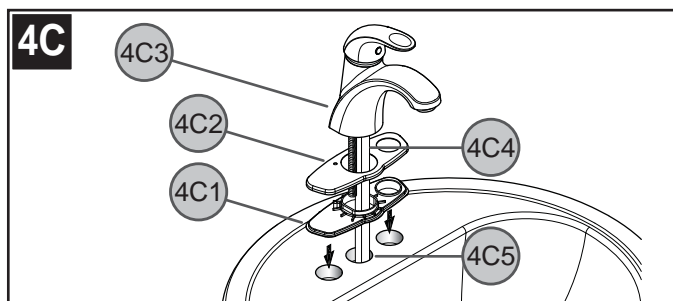
4A INSTALLATION DU ROBINET AVEC MONTAGE À 1 TROU

Installez la rondelle de base (4A), sur le corps du robinet (4A). La manette et le bec étant tournés vers l'avant, mettre les tubes d'arrivée (4A) du mitigeur en place avec précaution dans le trou central de l'évier (4A).



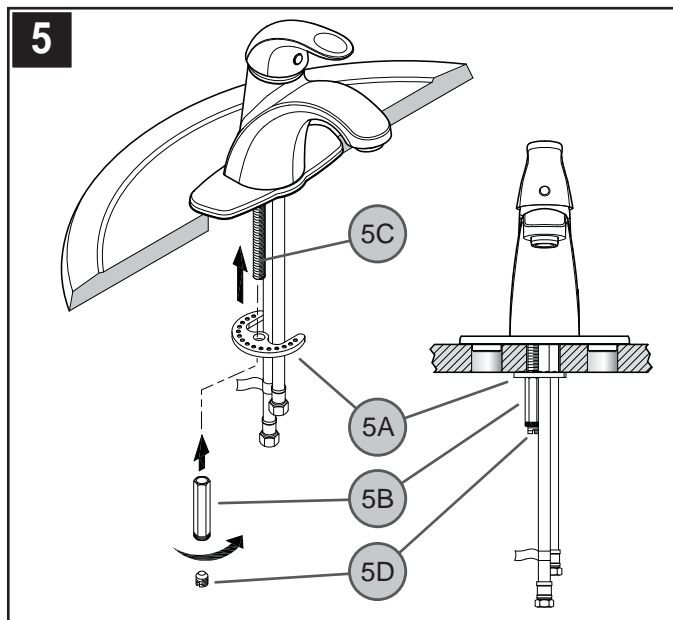
4B POSE DU ROBINET AVEC DE L'APPLIQUE

S'assurer que la plaque de masticage en plastique (5A) est appuyée sur l'applique (5B). Appliquer un cordon de mastic de plombier dans la rainure qui longe le bord extérieur de la plaque de masticage (5A). Installez la plaque de surface (B) et la plaque à mastic (A) sur le corps du robinet (C). La manette et le bec étant tournés vers l'avant, mettre les tubes d'arrivée (4A) du mitigeur en place avec précaution dans le trou central de l'évier (4A).



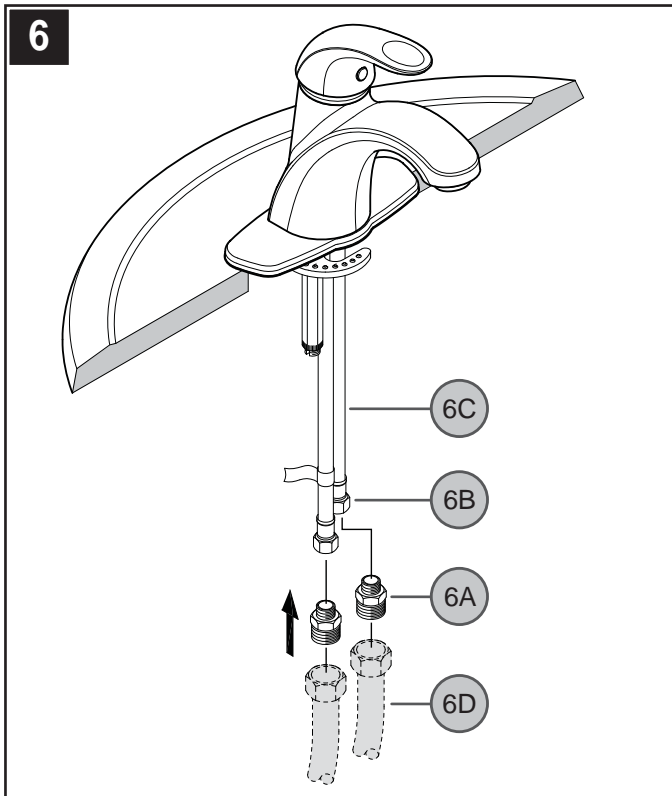
4C FIXATION DU ROBINET

S'assurer que la plaque de masticage en plastique (7A) est appuyée sur l'applique (7B). Installez la plaque de surface (B) et la plaque à mastic (A) sur le corps du robinet (C). La manette et le bec étant tournés vers l'avant, mettre les tubes d'arrivée (4A) du mitigeur en place avec précaution dans le trou central de l'évier (4A). Aligner le robinet (7A) par rapport à la surface de l'évier. Le fixer depuis le dessous de l'évier au moyen des écrous à oreilles (7B). Serrer ceux-ci avec les doigts.



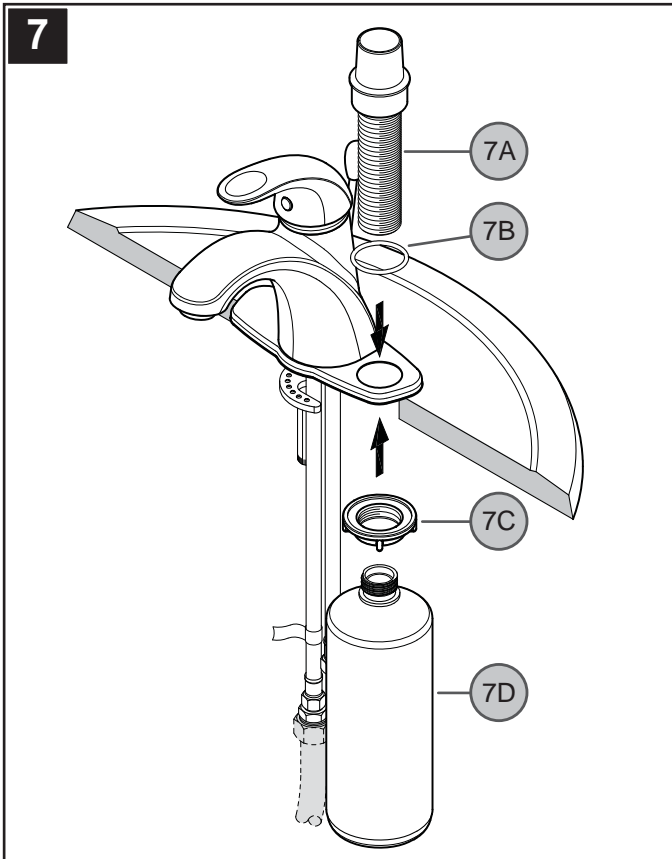
5 FIXATION DU ROBINET

Depuis le dessous de l'évier, fixer le mitigeur en plaçant la rondelle métallique (18A) et l'écrou long (6 pans, 7/16 po) (18B) sur la tige filetée de montage (18C). S'assurer que les bosses de la rondelle métallique (18A) sont sur le dessus. Serrer à l'aide d'un tournevis plat ou d'une clé à molette jusqu'à ce que le mitigeur soit fixé solidement à l'évier. Assujettir la fixation en serrant la vis de pression (18D) sur l'écrou long (18B). Ne pas trop la serrer!



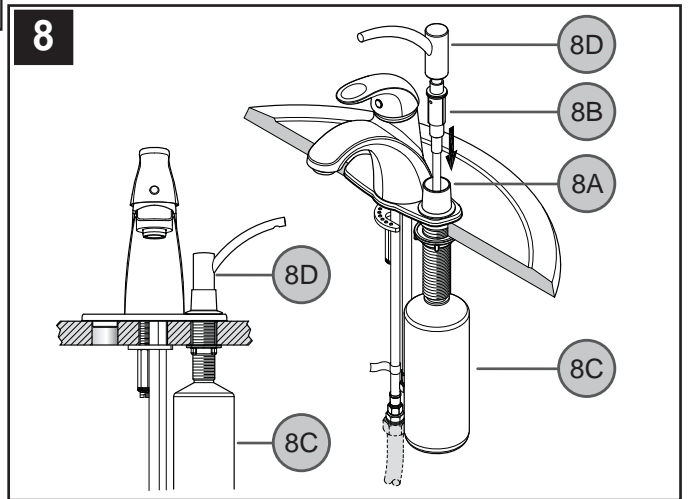
6 RACCORDEMENTS DES ARRIVÉES D'EAU

Visser l'adaptateur 1/2 po NPSM (6A) dans l'écrou de 3/8 po (6B). Serrer avec des clés sur l'adaptateur et l'écrou. Brancher aux entrées du robinet (6C). Recommencez a même procédure pour l'otra tube. Reliez l'arrivée d'eau (6D) aux entrées du robinet (6C). (Tuyaux d'arrivée d'eau et garnitures ne sont pas incluses.)



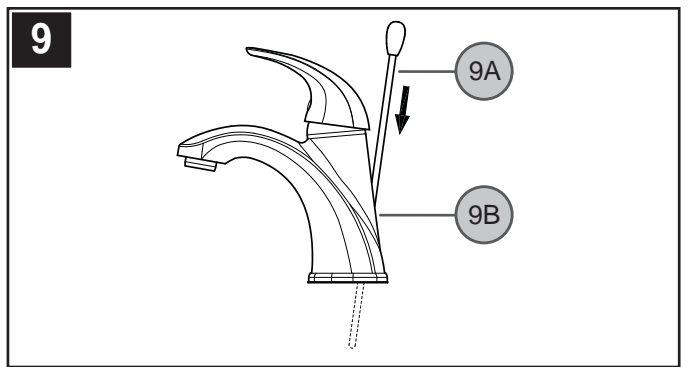
7 POSE DU DISTRIBUTEUR DE SAVON

Introduire la tige filetée (7A) du distributeur de savon dans le garniture en caoutchouc (7B) et le trou de l'évier. Serrer l'écrou (7C) et le visser sur le réservoir (7D) à la tige (7A).



8 POSE DE LA TÊTE DU DISTRIBUTEUR DE SAVON

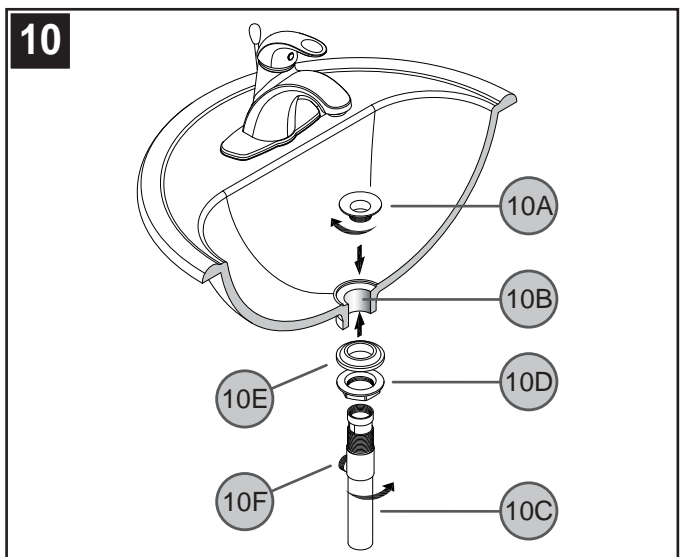
Verser du savon liquide (*non fourni*) dans l'ouverture de la tige (8A). Enfoncer le mécanisme de distribution (8B) le la tête du distributeur (8D). Mettre la tête du distributeur (8D) et le mécanisme de distribution (8B) le distributeur de savon (8C).



9 RACCORDEMENT DE LA TIGE DE BONDE

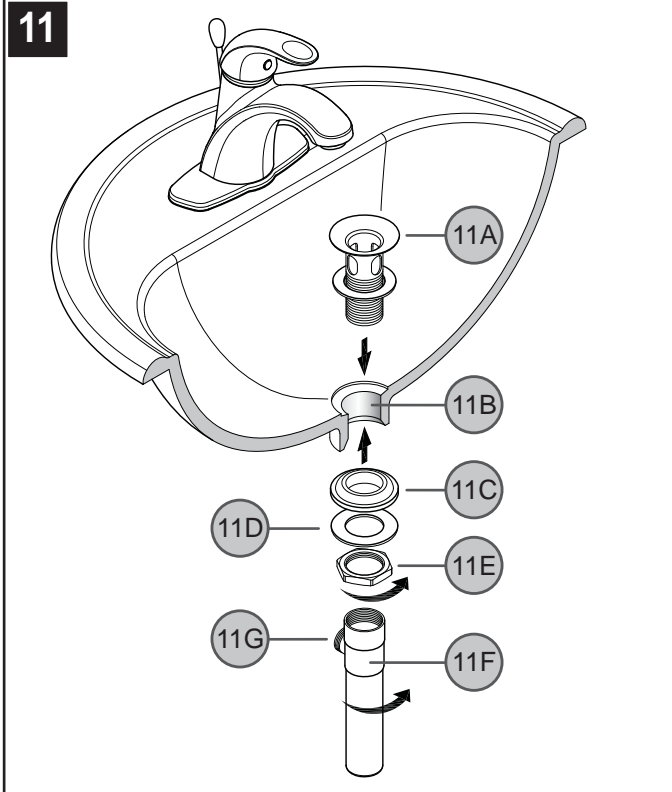
Introduire la tige de levage (9A) dans le trou du moyeu de bec (9B). L'abaisser en la faisant doucement glisser dans le trou du moyeu de bec (9B).

ÉTAPES D'INSTALLATION DU CORPS DE BONDE



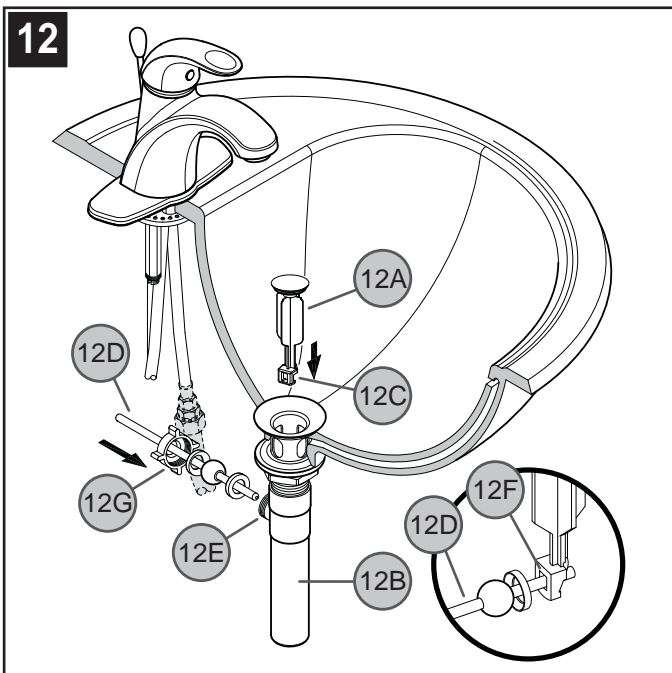
10 INSTALLATION DE LA BONDE DE MÉTAL

Appliquer un mince cordon de mastic de plombier sous la bride (10A) et un cordon circulaire de mastic autour de l'orifice d'écoulement (10B) du lavabo. Coller du ruban PTFE de plombier sur tous les raccords filetés conformément aux instructions du fabricant. Insérer la bride (10A) dans l'orifice d'écoulement (10B). Insérer depuis Visser le corps de bonde (10C) sur le bas de la bride (10A). Visser l'écrou de blocage (10D) jusqu'à ce que la rondelle de caoutchouc (10E) se mette bien en place à l'intérieur de l'orifice d'écoulement (10B). Serrer le corps de bonde avec les doigts et le régler de façon à ce que l'orifice (10F) de tige à boule soit à l'arrière. Essuyer pour enlever l'excédent de mastic.



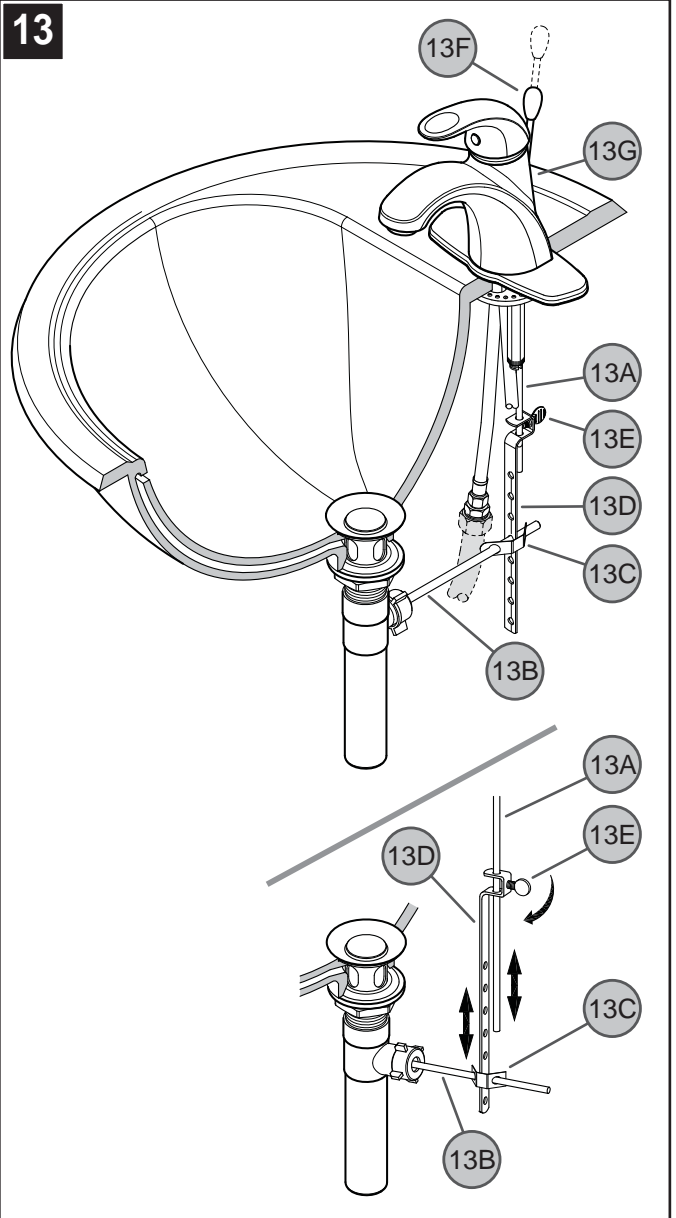
11 INSTALLATION DE LA BONDE 50/50

Appliquer un mince cordon de mastic de plombier sous la bride (11A) et un cordon circulaire de mastic autour de l'orifice d'écoulement (11B) du lavabo. Coller du ruban PTFE de plombier sur tous les raccords filetés conformément aux instructions du fabricant. Insérer la bride (11A) dans l'orifice d'écoulement (11B). Insérer depuis le dessous la rondelle en caoutchouc (11C) et la rondelle de friction (11D) dans le bas de la bride (11A). Visser l'écrou de blocage (11E) jusqu'à ce que la rondelle de caoutchouc (11C) se mette bien en place à l'intérieur de l'orifice d'écoulement (11B). Visser le corps de bonde (11F) sur le bas de la bride (11A). Serrer le corps de bonde avec les doigts et le régler de façon à ce que l'orifice (11G) de tige à boule soit à l'arrière. Serrer l'écrou de blocage (11E) avec une clé et essuyer pour enlever l'excédent de mastic.



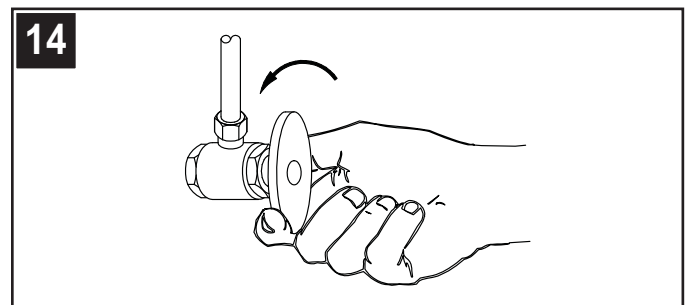
12 RÉGLAGE DE LA TIGE À BOULE

Enfoncer le tampon (12A) dans le corps de bonde (12B) depuis le haut en orientant la pièce angulaire (12C) vers l'arrière. Depuis le dessous, insérer la tige à boule (12C) dans son orifice (12E) par le trou de tampon (12F) et l'assujettir au moyen de l'écrou (12G).



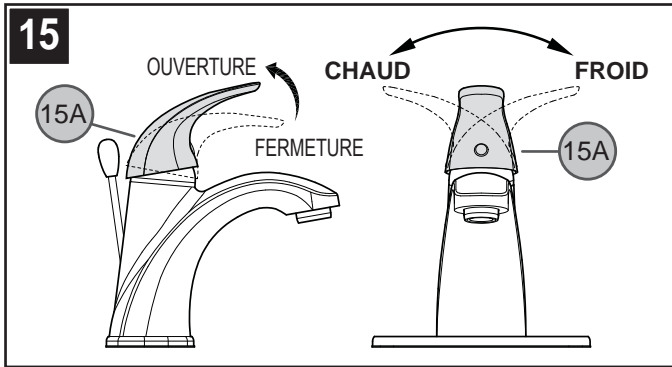
13 MÉCANISME ET RÉGLAGE DE LA BONDE

Placer un côté de l'attache rapide (13C) sur l'extrémité de la tige à boule (13B). Insérer cette tige (13B) en travers et dans le trou de l'étrier (13D). Assujettir l'autre côté de l'attache rapide (13C). Insérer le bas de la tige de levage (13A) dans le trou percé en haut de l'étrier de bonde (13C). Serrer au moyen de la vis à oreilles (13E). Régler le fonctionnement de la tige de levage (13A) en ajustant la position de la vis à oreilles (13E) le long de l'étrier (13D) ou en choisissant le trou dans lequel la tige à boule (13B) traverse l'étrier (13D). Veiller à laisser assez de place entre le bouton de tige de levage (13F) et le moyeu de bec (13G) lorsque la tige de levage est abaissée.



14 MISE EN SERVICE DU ROBINET

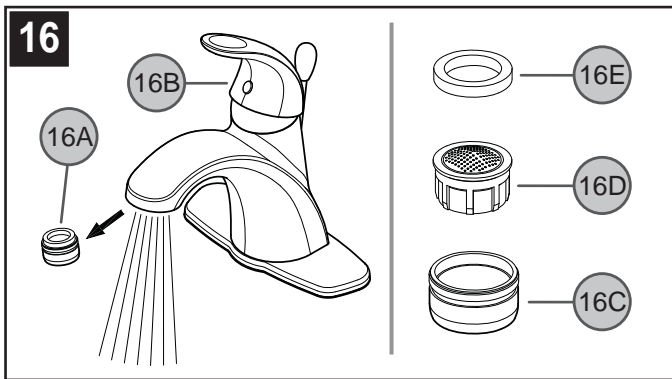
Ouvrir les robinets d'arrivée d'eau chaude et d'eau froide, puis vérifier le dessus et le dessous du lavabo pour voir s'il y a des fuites.



15 VALVE FUNCTION

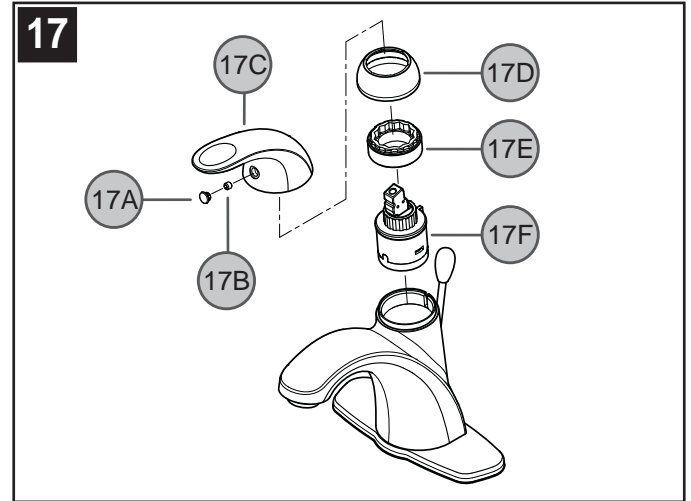
By lifting the Lever Handle (15A) up, the valve will be activated allowing water to flow. The water flow will increase by continuing to lift up the Lever Handle (15A). By rotating the Lever Handle (15A) counterclockwise, the water temperature will decrease to cold flow only. By rotating the Lever Handle (15A) clockwise, the water temperature will increased to hot flow only.

ENTRETIEN ET SOINS



16 RINÇAGE

Une fois l'installation terminée, retirer le boîtier d'aérateur (16A). Ouvrir les robinets (16B) laisser couler l'eau chaude et l'eau froide pendant au moins une minute pour chaque robinet. Contrôler l'étanchéité pendant que l'eau coule. Pour nettoyer l'aérateur, démonter son boîtier (16A) en séparant le téé (16C), la crépine (16D) et la rondelle (16E). Une fois que les pièces sont nettoyées, procéder au remontage dans l'ordre inverse du démontage.



17 DÉPANNAGE

Couper les arrivées d'eau et dépressuriser avant de travailler sur le mitigeur.

DÉPOSE DE LA MANETTE

Faire levier avec précaution avec un petit tournevis ou couteau sur le bouton (17A) de manette pour l'enlever. Desserrer la vis de pression (17B) à l'aide d'une clé Allen de 3/32 po et déposer la manette (17C).

REPLACEMENT DE LA CARTOUCHE

Déposer la manette (17C). Retirer le capuchon bombé (17D) en le dévissant dans le sens antihoraire. Dévisser l'anneau de retenue (17E) à l'aide d'une pince. Enlever la cartouche (17F) avec précaution en la tirant droit vers le haut. Remonter le mitigeur en inversant l'ordre de ces opérations.



1-800-PFAUCET (1-800-732-8238)

Pour les renseignements concernant le service sans frais de Pfaucet, appelez 1-800-PFAUCET (1-800-732-8238) appel ou visite www.pricepfister.com

- Assistance à l'installation
- Informations sur l'entretien et la garantie



ATTENTION : entretien

DÉMONTAGE

1. Il se peut que les pièces de rechange soient disponibles dans le magasin dans lequel le robinet a été acheté.
2. Lorsque des pièces de rechange ne sont pas disponibles, bien vouloir contacter le département du service après-vente de Price Pfister par courrier ou par téléphone.
3. **Toujours couper les arrivées d'eau et dépressuriser avant de travailler sur le robinet.**



REMARQUE : entretien des garnitures

Instructions De Nettoyage :

N'utiliser qu'un chiffon humide pour nettoyer et polir toutes les manettes et ornements décoratives. L'utilisation de pâte à polir, de détergents, de produits nettoyants abrasifs, de solvants organiques ou d'acide peut endommager ces pièces. **L'utilisation d'autre chose qu'un chiffon humide annulera la garantie !**

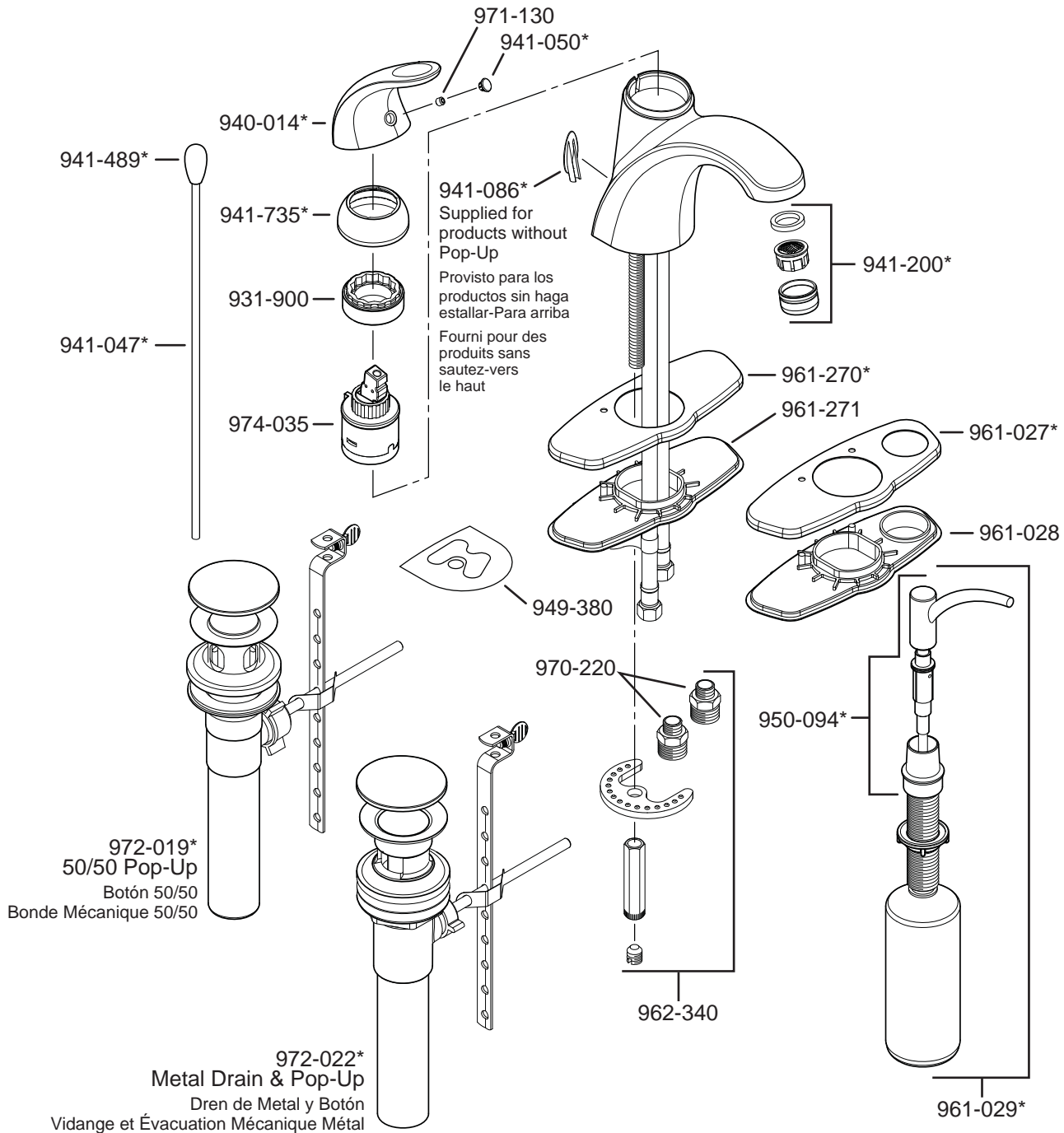
Garnitures Spéciales :

Les garnitures contenant de la porcelaine ou une autre substance similaire ne sont pas acceptables dans les lieux publics ou les établissements commerciaux. La pose de telles garnitures se fait aux risques de l'utilisateur.



8A2♦42-A♦J42 Series
 Serie 8A2♦42-A♦J42
 Série 8A2♦42-A♦J42

Single Control Lavatory Faucet
 Grifo Monomando para el Baño
 Mitigeur de Robinet pour Lavabo



	English	Español	Français
*	Letter Designates Finish	La Letra Indica el Terminado	La Lettre Designe La Fini
A	Polished Chrome	Cromo Pulido	Chrome Poli
J	Brushed Nickel	Niquel Cepillado	Nickel Brosse
V	Polished Brass	Latón Pulido	Laiton Poli

Price Pfister®

Pf Pfreshest Ideas in Pf faucets.

19701 DaVinci
 Lake Forest, CA 92610
 Phone: 1-800-Pfaucet
 www.pricepfister.com

A BLACK & DECKER COMPANY

Free Manuals Download Website

<http://myh66.com>

<http://usermanuals.us>

<http://www.somanuals.com>

<http://www.4manuals.cc>

<http://www.manual-lib.com>

<http://www.404manual.com>

<http://www.luxmanual.com>

<http://aubethermostatmanual.com>

Golf course search by state

<http://golfingnear.com>

Email search by domain

<http://emailbydomain.com>

Auto manuals search

<http://auto.somanuals.com>

TV manuals search

<http://tv.somanuals.com>