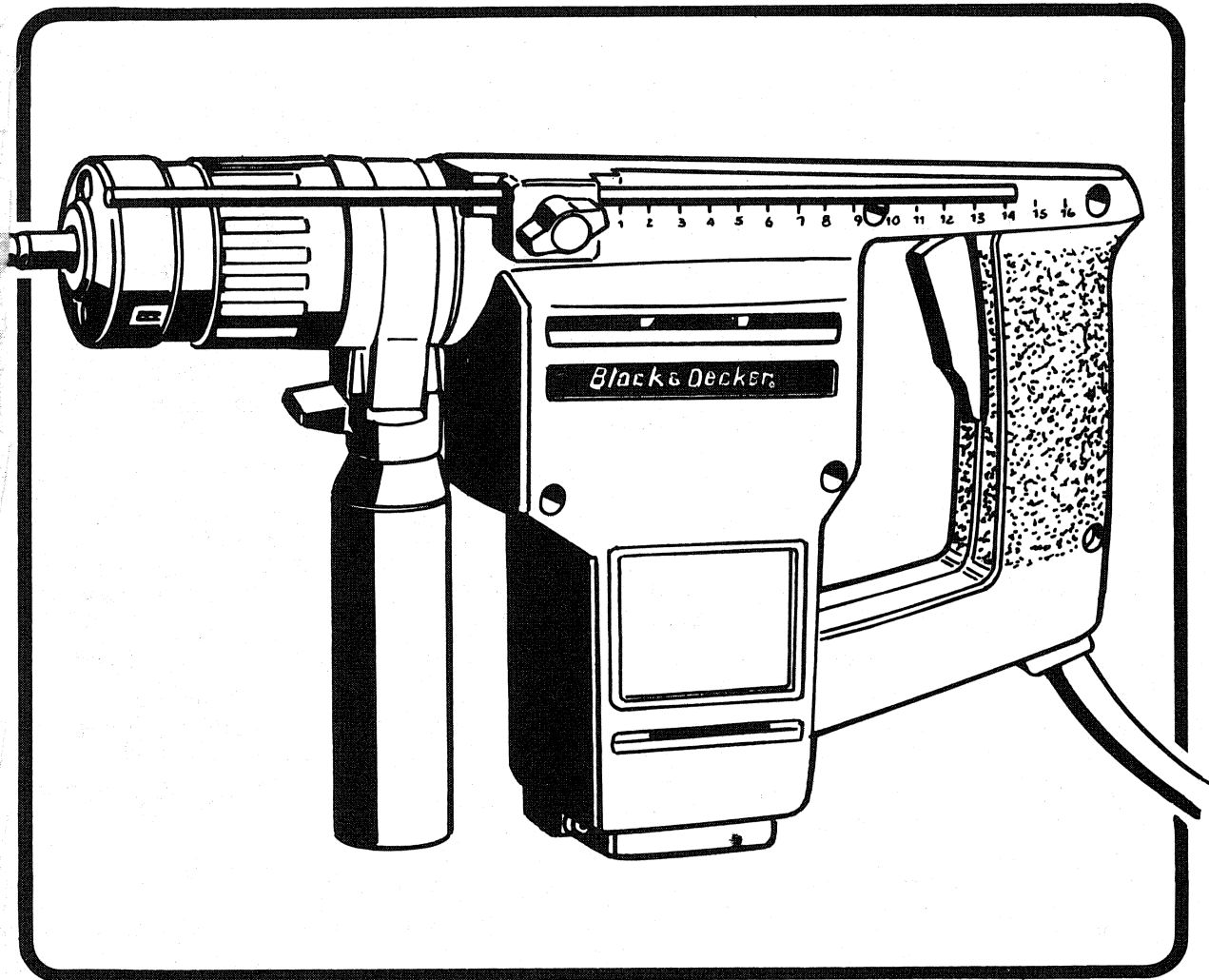


***Black & Decker***®

# OWNER'S MANUAL



**5016-09**

**5/8" H.D. ROTARY HAMMER**

# **IMPORTANT SAFETY INSTRUCTIONS (FOR ALL TOOLS)**

**WARNING:** When using Electric Tools, basic safety precautions should always be followed to reduce the risk of fire, electric shock, and personal injury, including the following:

## **READ ALL INSTRUCTIONS**

1. **KEEP WORK AREA CLEAN.** Cluttered areas and benches invite injuries.
2. **CONSIDER WORK AREA ENVIRONMENT.** Don't expose power tools to rain. Don't use power tools in damp or wet locations. Keep work area well lit.
3. **GUARD AGAINST ELECTRIC SHOCK.** Prevent body contact with grounded surfaces. For example: pipes, radiators, ranges, refrigerator enclosures.
4. **KEEP CHILDREN AWAY.** All visitors should be kept away from work area. Do not let visitors contact tool or extension cord.
5. **STORE IDLE TOOLS.** When not in use, tools should be stored in dry, and high or locked-up place—out of reach of children.
6. **DON'T FORCE TOOL.** It will do the job better and safer at the rate for which it was intended.
7. **USE RIGHT TOOL.** Don't force small tool or attachment to do the job of a heavy-duty tool. Don't use tool for purpose not intended, for example, don't use circular saw for cutting tree limbs or logs.
8. **DRESS PROPERLY.** Do not wear loose clothing or jewelry. They can be caught in moving parts. Rubber gloves and nonskid footwear are recommended when working outdoors. Wear protective hair covering to contain long hair.
9. **USE SAFETY GLASSES.** Also use face or dustmask if cutting operation is dusty.
10. **DON'T ABUSE CORD.** Never carry tool by cord or yank it to disconnect from receptacle. Keep cord from heat, oil, and sharp edges.
11. **SECURE WORK.** Use clamps or a vise to hold work. It's safer than using your hand and it frees both hands to operate tool.
12. **DON'T OVERREACH.** Keep proper footing and balance at all times.
13. **MAINTAIN TOOLS WITH CARE.** Keep tools sharp and clean for better and safe performance. Follow instructions for lubricating and changing accessories. Inspect tool cords periodically and if damaged have repaired by authorized service facility. Inspect extension cords periodically and replace if damaged. Keep handles dry, clean, and free from oil and grease.
14. **DISCONNECT TOOLS.** When not in use, before servicing, and when changing accessories, such as blades, bits, cutters.
15. **REMOVE ADJUSTING KEYS AND WRENCHES.** Form habit of checking to see that keys and adjusting wrenches are removed from tool before turning it on.
16. **AVOID UNINTENTIONAL STARTING.** Don't carry plugged-in tool with finger on switch. Be sure switch is off when plugging in.
17. **OUTDOOR USE EXTENSION CORDS.** When tool is used outdoors, use only extension cords intended for use outdoors and so marked.
18. **STAY ALERT.** Watch what you are doing. Use common sense. Do not operate tool when you are tired.
19. **CHECK DAMAGED PARTS.** Before further use of the tool, a guard or other part that is damaged should be carefully checked to determine that it will operate properly and perform its intended function. Check for alignment of moving parts, binding of moving parts, breakage of parts, mounting, and any other conditions that may affect its operation. A guard or other part that is damaged should be properly repaired or replaced by an authorized service center unless otherwise indicated elsewhere in this instruction manual. Do not use tool if switch does not turn it on and off.
20. **DO NOT OPERATE** portable electric tools near flammable liquids or in gaseous or explosive atmospheres. Motors in these tools normally spark, and the sparks might ignite fumes.

## ADDITIONAL SAFETY RULES FOR HAMMERS

1. Wear safety goggles or other eye protection.
2. Wear ear protectors when hammering for extended periods.
3. Always lock the tool retainer before using the hammer.
4. Always use the side handle supplied with the tool. Keep a firm grip on the hammer when it is operating.
5. Don't overreach with the hammer. Maintain a firm, balanced working stance. When necessary, use only properly positioned, safe platforms, ladders and scaffolds, to do the job SAFELY!
6. Hammer bits and tools get hot in operation. Wear gloves when touching them.

**CAUTION:** When drilling into walls, floors or wherever "live" electrical wires may be encountered. **DO NOT TOUCH ANY METAL PARTS OF THE TOOL!** Hold the hammer only by the plastic handle to prevent electric shock if you drill into a "live" wire. Always use the side handle provided in order to properly control the torque (twisting action) of the tool.

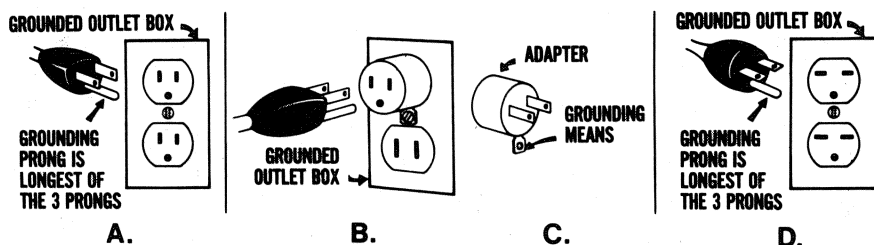
## GROUNDING INSTRUCTIONS

This tool should be grounded while in use to protect the operator from electric shock. The tool is equipped with an approved three-conductor cord and three-prong grounding type plug to fit the proper grounding type receptacle. The green (or green and yellow) conductor in the cord is the grounding wire. Never connect the green (or green and yellow) wire to a live terminal.

If your unit is for use on less than 150 volts, it has a plug like that shown in Figure A.

If it is for use on 150 to 250 volts, it has a plug like that shown in Figure D.

An adapter, Figures B and C, is available for connecting Figure A plugs to two-prong receptacles. The green-colored rigid ear, lug, etc., must be connected to a permanent ground such as a properly grounded outlet box. No adapter is available for a plug as shown in Figure D. Adapter shown in Figure B & C is Not for Use in Canada.



We recommend that you **NEVER** disassemble the tool or try to do any rewiring in the electrical system. Any repairs should be performed only by B & D Service Centers or other qualified service organizations. Should you be determined to make a repair yourself, remember that the green colored wire is the "grounding" wire. Never connect this green wire to a "live" terminal. If you replace the plug on the power cord, be sure to connect the green wire only to the grounding (longest) prong on a 3-prong plug.

## MOTOR

Your Black & Decker tool is powered by a B & D-built motor. Be sure your power supply agrees with voltage marked on nameplate. Volts 50/60 Hz means **Alternating Current only**. Volts **DC-60 Hz or AC/DC** means it will also operate on **Alternating Current or Direct Current**. Voltage variation of more than 10% will cause loss of power and over-heating.

## EXTENSION CORDS

Tools that have 3 wire cords requiring grounding must only be used with extension cords that have 3-prong grounding type plugs and 3-pole receptacles. Only round jacketed extension cords should be used, and we recommend that they be listed by Underwriters Laboratories (U.L.). If the extension will be used outside, the cord must be suitable for outdoor use. Any cord marked as outdoor can also be used for indoor work.

An extension cord must have adequate wire size (AWG or American Wire Gauge) for safety, and to prevent loss of power and overheating. The smaller the gauge number of the wire, the greater the capacity of the cable, that is 16 gauge has more capacity than 18 gauge. When using more than one extension to make up the total length, be sure each individual extension contains at least the minimum wire size.

To determine the minimum wire size required, refer to the chart below:

NAMEPLATE RATING - AMPS	CHART FOR MINIMUM WIRE SIZE (AWG) OF EXTENSION CORDS							
	TOTAL EXTENSION CORD LENGTH - FEET							
	25	50	75	100	125	150	175	200
0 - 10.0	18	18	16	16	14	14	12	12
10.1 - 13.0	16	16	14	14	14	12	12	12
13.1 - 15.0	14	14	12	12	12	12	12	—

Before using an extension cord, inspect it for loose or exposed wires, damaged insulation, and defective fittings. Make any needed repairs or replace the cord if necessary. Black & Decker has extension cords available that are U.L. listed for outdoor use.

## OPERATING INSTRUCTIONS

### SIDE HANDLE

For operating convenience, the side handle can be rotated to any position around the tool (360°).

### DEPTH ROD

To adjust the depth rod, loosen the knob and move rod so that the distance between the end of the rod and the end of the bit equals the desired drilling depth (figure 1). Note: Bit must be fully seated in the hammer when measuring. Figure 2 shows how the depth rod contacts the work surface when the desired hole depth is reached.

Alternatively for adjustments in depth using the same bit, the embossed scale on the side of the unit may be of assistance.

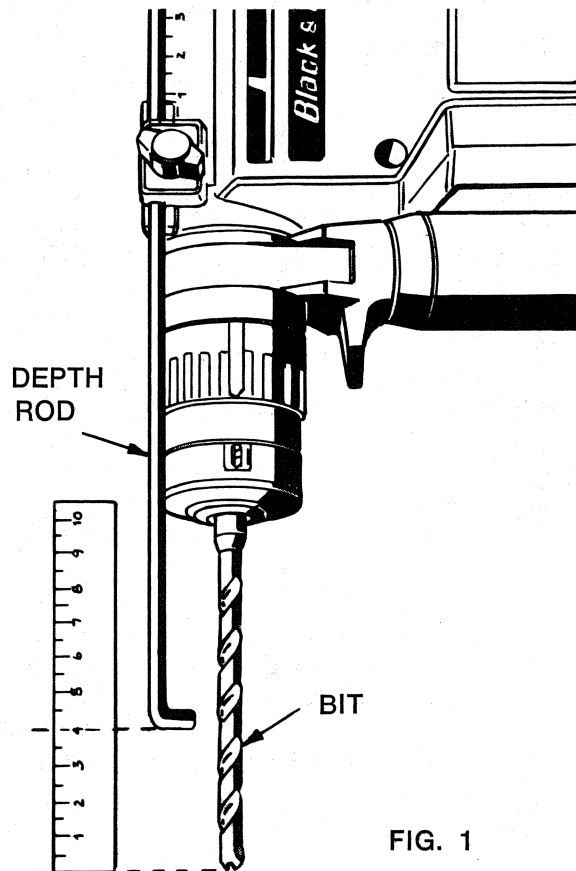


FIG. 1

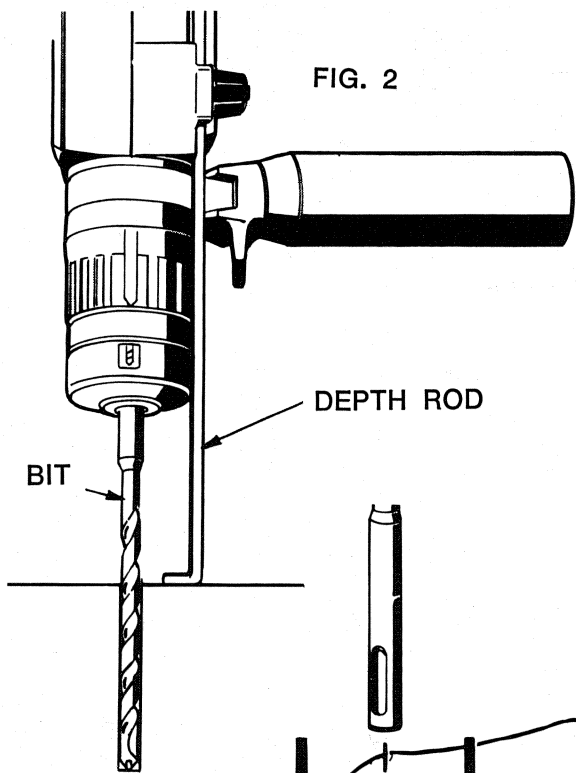


FIG. 2

## SWITCH

The motor is operated by a variable speed trigger switch which, when depressed, turns the tool on. The variable speed switch allows slow starting when hammering for exact hole positioning or when working with brittle surfaces such as glazed tile. The further the trigger is depressed, the higher the R.P.M. and B.P.M. Releasing the trigger turns the tool off.

## DRILLING

The 5016-09 is designed for the B&D SDS bit system in sizes from 3/16" to 5/8" diameter.

Unplug the unit from power source when inserting bits.

To insert bit, grasp front end of chuck as shown in Figure 3, pull it in the direction shown. Insert the drill shank as far as it will go. Release front end of chuck and it will return to its original position, locking bit in chuck.

Now position unit in DRILLING ONLY or HAMMERING & DRILLING Combined.

## HAMMERING & DRILLING COMBINED

Rotate collar clockwise or counterclockwise so arrow on collar points to hammer symbol on front end of unit. See Figure 4.

## DRILLING ONLY

Rotate collar clockwise or counterclockwise until arrow on collar points to drill symbol on front end of unit, Figure 5.

When drilling, use just enough force on the hammer to keep it from bouncing excessively or "rising" off the bit. Too much force will cause slower drilling speeds, overheating, and a lower drilling rate.

Drill straight in the masonry, keeping the bit at a right angle to the work. Do not exert side pressure on the bit when drilling as this will cause clogging of the bit flutes and a slower drilling speed.

When drilling deep holes, if the hammer speed starts to drop off, pull the bit partially out of the hole with the tool still running to help clear debris from the hole.

Do not pour water into the hole to settle dust. Water causes clogging of bit flutes which will tend to make the bit bind in the hole.

FIG. 3

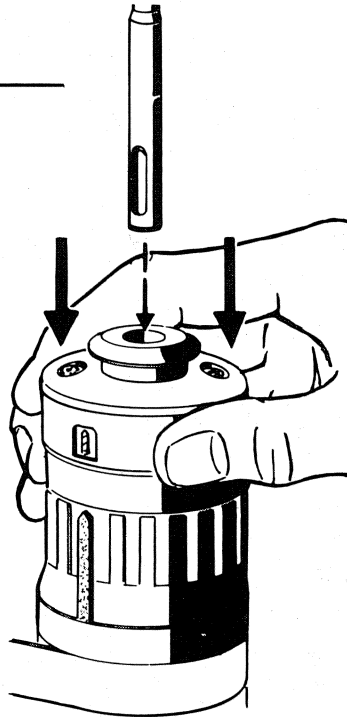
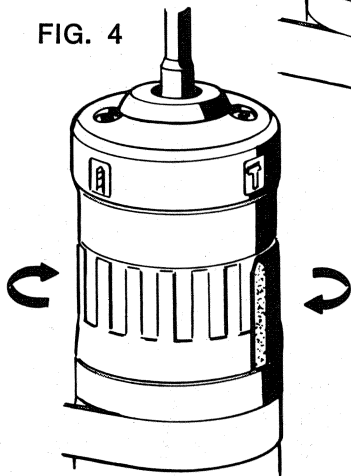
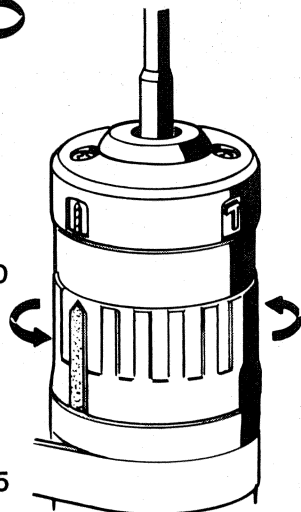


FIG. 4



HAMMERING & DRILLING COMBINED

FIG. 5



DRILLING ONLY

## MAINTENANCE

Disconnect the tool from the power supply and periodically take the following maintenance action:

1. Check the tightness of all external screws, and tighten where necessary.
2. Clean any dirt build-up out of the air slots in the housing.
3. Check the condition of the power supply cord, plug and extension cord. Repair at once if damaged. (Always use a 3-prong, grounding-type plug if replacement is needed).
4. Your hammer has a maintenance feature called the "B&D Check Point System." When the tool requires motor brush replacement, it will shut down automatically. At this time the tool should be taken to a B&D Service Center for cleaning, regreasing, and preventive maintenance.
5. If you want to replace motor brushes yourself, take the following steps:
  - a) UNPLUG HAMMER from power supply.
  - b) Remove the two end cap screws and end cap.
  - c) Lift brush spring off brush and hook spring on brush holder as shown in Figure 6.
  - d) Pull brush assembly and brush holder out of motor housing.
  - e) Remove brush terminal from holder and lift out brush.
  - f) Replace brush assembly and brush holder by reversing the above procedure making sure that the brush board is inserted into the slots in the motor housing.
  - g) Repeat steps "a" through "f" for opposite brush.
6. If you replace your own brushes, as soon thereafter as possible, take or send the tool to a B&D Service Center for cleaning, regreasing and preventive maintenance.

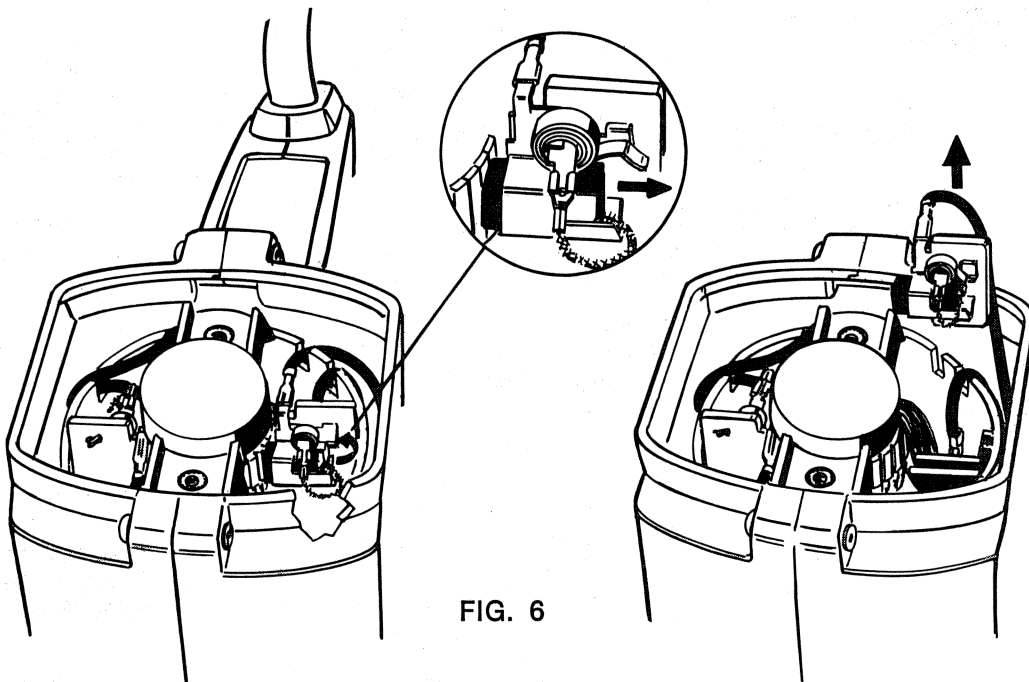



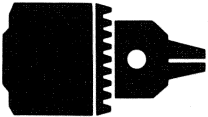
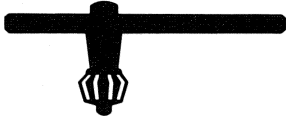


FIG. 6

# ACCESSORIES

NOTE: Recommended accessories for this tool are listed in this manual and in Black & Decker Catalogs. The use of any other accessory may be hazardous.

	<b>'A' TAPER ADAPTER</b> CAT 50325
	<b>DRIFT KEY</b> CAT 7276
	<b>DRILL CHUCK ADAPTER</b> CAT 50300
	<b>1/2" DRILL CHUCK</b> CAT 50302
	<b>REPLACEMENT CHUCK KEY</b> CAT 46164



## CARBIDE PERCUSSION BITS

BIT DIAMETER	USABLE DRILLING DEPTH	CAT NO
3/16	3	50309
1/4	2	50310
1/4	6	50311
5/16	4	50312
3/8	6	50313
3/8	12	50314
7/16	6	50315
1/2	6	50316
1/2	12	50317
9/16	6	50318
5/8	6	50319
5/8	12	50320

## 'A' TAPER BITS USE ONLY WITH 'A' TAPER ADAPTERS

BIT DIAMETER	USABLE DRILLING DEPTH	CAT NO
1/4	4	50326
1/4	6	50327
5/16	4	50328
3/8	4	50329
3/8	6	50330
3/8	12	50331
1/2	6	50332
1/2	12	50333
1/2	18	50334
5/8	6	50335

## **COMMERCIAL/INDUSTRIAL USE WARRANTY**

Black & Decker warrants this product for one year from date of purchase. We will repair without charge, any defects due to faulty material or workmanship. Please return the complete unit, transportation prepaid, to any Black & Decker Service Center or Authorized Service Station listed under "Tools Electric" in the yellow pages. This warranty does not apply to accessories or damage caused where repairs have been made or attempted by others.

## **IMPORTANT**

To assure product SAFETY and RELIABILITY, repairs, maintenance and adjustment (including brush inspection and replacement) should be performed by BLACK & DECKER Service Centers or other qualified service organizations, always using BLACK & DECKER replacement parts.

**BLACK & DECKER (U.S.) INC.**  
**701 E. Joppa Rd., Towson, Md. 21204 U.S.A.**

(AUG81-CD)

Printed in U.S.A.



## Free Manuals Download Website

<http://myh66.com>

<http://usermanuals.us>

<http://www.somanuals.com>

<http://www.4manuals.cc>

<http://www.manual-lib.com>

<http://www.404manual.com>

<http://www.luxmanual.com>

<http://aubethermostatmanual.com>

Golf course search by state

<http://golfingnear.com>

Email search by domain

<http://emailbydomain.com>

Auto manuals search

<http://auto.somanuals.com>

TV manuals search

<http://tv.somanuals.com>