

Cat. No. 36070 Sanding Frame For the 4023 & 4024 ELU Belt Sanders Instructions

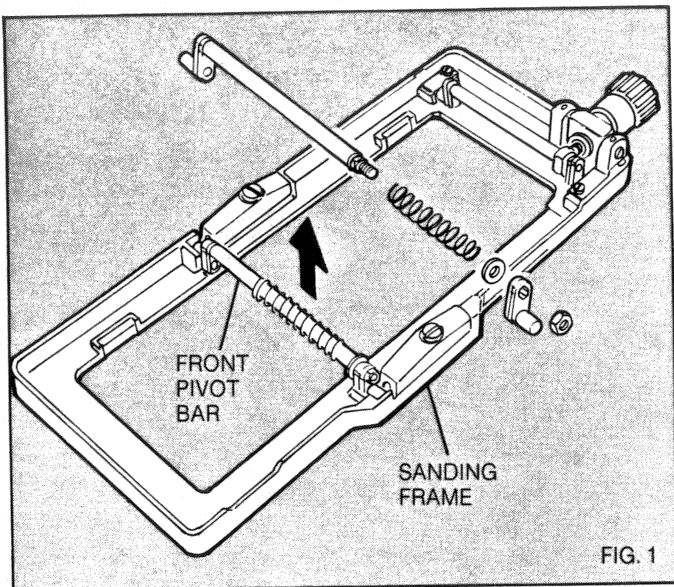


FIG. 1

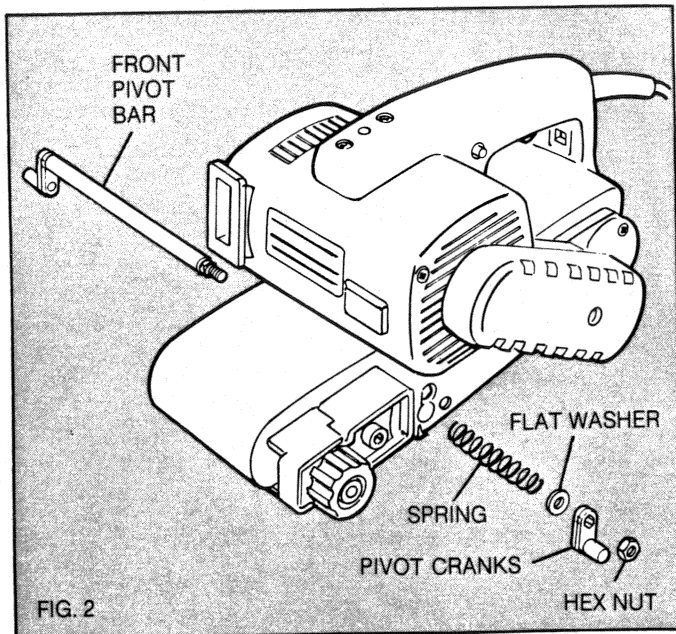


FIG. 2

1. Turn Off And Unplug Sander.
2. Remove the front pivot bar from the sanding frame and remove the hex nut, flat washer, pivot crank and spring. (see Figure 1)
3. Insert the pivot bar through the sander **FROM THE RIGHT SIDE** as shown in Figure 2. Examine the figure closely to determine the position of the spring and flat washer.
4. With the threaded end of the pivot bar extending from the left side of the sander, re-install the spring, flat washer, pivot crank and hex nut. **NOTE:** Make sure that both pivot cranks are positioned the same way. Tighten the nut securely and make sure the pivot bar is free to rotate. **NOTE:** The pivot bar is designed to rotate 90 degrees from straight down to straight back.
5. With the pivot cranks straight down, insert them into the frame in the pockets where they were before step 2 above. Be sure they snap below the balls in the pockets.
6. Rotate the back end of the sander down so that the bracket on the sander fits over the rear pivot bar (make sure it snaps firmly) **NOTE:** It may be necessary to move the rear pivot bar into alignment with the bracket on the sander. Move the bar by rotating the adjustment knob on the rear of the frame, as shown in Figure 3.
7. The sanding frame is now properly installed. Adjust by rotating the adjustment knob.

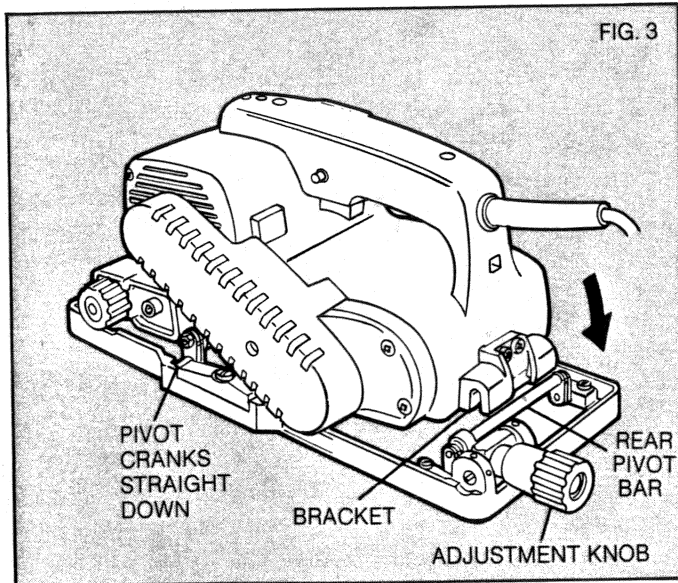


FIG. 3

Free Manuals Download Website

<http://myh66.com>

<http://usermanuals.us>

<http://www.somanuals.com>

<http://www.4manuals.cc>

<http://www.manual-lib.com>

<http://www.404manual.com>

<http://www.luxmanual.com>

<http://aubethermostatmanual.com>

Golf course search by state

<http://golfingnear.com>

Email search by domain

<http://emailbydomain.com>

Auto manuals search

<http://auto.somanuals.com>

TV manuals search

<http://tv.somanuals.com>