

SAFETY PRECAUTIONS WITH SAWS

1. Disconnect plug from power supply before changing blades, making cutting depth or cutting angle adjustments, lubricating, inspecting, or when saw is not being used.
2. When retracting the lower blade guard, always use the retracting knob on the guard.
3. Never tie back the lower blade guard or its retracting knob.
4. When sawing never reach underneath the material for any reason.
5. Always be sure that the saw will be properly grounded before plugging into power supply. See following section.
6. Keep blade sharp..Dull blades may cause the saw to swerve or stall under pressure.
7. Wear safety goggles when the cutting of material results in flying particles. If material forms dust when cut, also use a dust mask.
8. If you drop or damage the saw, unplug it first; then check to see if the blade and lower blade guard operate freely before resuming operations.
9. If saw stalls, release the trigger and disconnect plug from power supply before attempting to loosen the unit.

GROUNDING



EVERY ELECTRIC TOOL SHOULD BE GROUNDED while in use to protect the operator against shock. This unit is equipped with approved 3-conductor cord and 3-blade grounding type attachment plug to be used with the proper grounding type receptacle. The green colored conductor in the cord is the grounding wire. Never connect the green wire to a "live" terminal.

If your unit requires less than 150 volts, it has a plug that looks like fig. "A". A special grounding adapter (Fig. "B") is available from your dealer to permit using 2-wire receptacle until the correct receptacle is properly installed. The green grounding wire extending from the side of the adapter must be connected to a PERMANENT GROUND such as a properly grounded outlet box.

If you use an extension cord, be sure that it is a 3-conductor, grounding-type cord. Grounding must be continuous from the tool plug to a grounded receptacle.

EXTENSION CORD

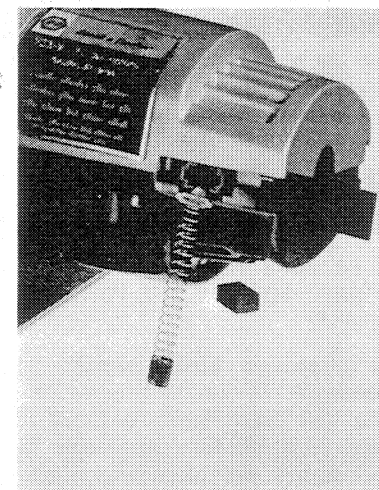
When using the tool at a considerable distance from power source, a 3-wire grounding-type extension cable of adequate size must be used for safety and to prevent loss of power and over-heating. Use the table at right for 120-volt tools. For 220-volt tools, use wire size corresponding to an extension length of 1/2 the contemplated length.

P.T.I. Safety Rule #12 applies to Extension Cords as well as the Tool Power Cord. Before using cords, inspect them for loose or exposed wires and damaged insulation. Make any needed repairs or replacement before using your power tool.

Ext. cable length in feet	25	50	75	100
Required wire size (A.W.G.) in cable	16	14	12	10

BRUSHES

Carbon motor brushes should be inspected frequently for wear. To inspect brushes, FIRST, UNPLUG SAW FROM POWER SUPPLY. Then, with a screwdriver, slide the brush cover plates outward and the brush spring will pop out. Put the spring, with attached wire extended out of the opening into the position shown at right and tilt the saw so that the carbon brush will drop out of the opening. If the brush is worn down to the grooved line on its side, a new brush is needed and can be obtained from any of the locations shown on the next page.



To reassemble, insert brush with worn end toward motor, or a new brush with longest distance from end to grooved line toward motor. Next, insert the small brass plate behind the brush, and then feed in the spring until the round spring cap fits flush with the opening. This allows the cover plate to be pushed back into the closed position.

ACCESSORIES



RIP FENCE

Quickly attaches for fast, smooth rip cuts without penciled guide lines. U-1914



49531 SAW PROTRACTOR

Permits accurate cuts, 0° to 90° angles. Saves time and effort.



55582 CUT-OFF GUIDE

One-piece die-cast aluminum guide for making accurate cuts.

THE BLACK & DECKER MFG. CO., TOWSON, MD. 21204, U.S.A.

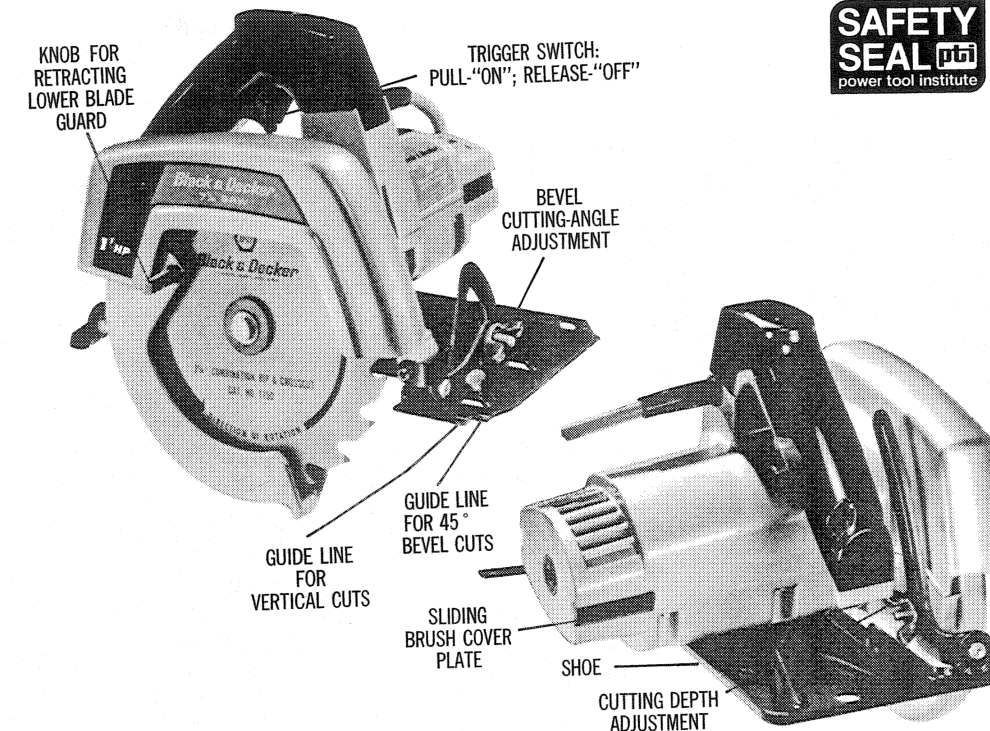
Form No. 97243 AL

Printed in U.S.A.



Black & Decker

OWNER'S MANUAL



CUTTING DEPTH: At 90° — 1/8" to 2 3/8". At 45° bevel — 0" to 1 3/4".

BEVEL ADJUSTMENT: 0° to 45°.

120 VOLTS A.C. ONLY 9.5 AMPS 1 1/2 H.P. 4700 R.P.M.

7 1/4" CIRCULAR SAW model 3004

SAFETY RULES FOR POWER TOOLS

- KNOW YOUR POWER TOOL** — Read owner's manual carefully. Learn its applications and limitations as well as the specific potential hazards peculiar to this tool.
- GROUND ALL TOOLS — UNLESS DOUBLE-INSULATED.** If tool is equipped with three-prong plug, it should be plugged into a three-hole electrical receptacle. If adapter is used to accommodate two-prong receptacle, the adapter wire must be attached to a **known ground.** Never remove third prong.
- KEEP GUARDS IN PLACE** and in working order.
- KEEP WORK AREA CLEAN.** Cluttered areas and benches invite accidents.
- AVOID DANGEROUS ENVIRONMENT.** Don't use power tool in damp or wet locations. And keep work area well lit.
- KEEP CHILDREN AWAY.** All visitors should be kept safe distance from work area.
- STORE IDLE TOOLS.** When not in use, tools should be stored in dry, high or locked-up place — out of reach of children.
- DON'T FORCE TOOL.** It will do the job better and safer at the rate for which it was designed.
- USE RIGHT TOOL.** Don't force small tool or attachment to do the job of a heavy duty tool.
- WEAR PROPER APPAREL.** No loose clothing or jewelry to get caught in moving parts. Rubber gloves and footwear are recommended when working outdoors.
- USE SAFETY GLASSES** with most tools. Also face or dust mask if cutting operation is dusty.
- DON'T ABUSE CORD.** Never carry tool by cord or yank it to disconnect from receptacle. Keep cord from heat, oil and sharp edges.
- SECURE WORK.** Use clamps or a vise to hold work. It's safer than using your hand and it frees both hands to operate tool.
- DON'T OVERREACH.** Keep proper footing and balance at all times.
- MAINTAIN TOOLS WITH CARE.** Keep tools sharp at all times, and clean for best and safest performance. Follow instructions for lubricating and changing accessories.
- DISCONNECT TOOLS.** When not in use, before servicing; when changing accessories such as blades, bits, cutters, etc.
- REMOVE ADJUSTING KEYS AND WRENCHES.** Form habit of checking to see that keys and adjusting wrenches are removed from tool before turning it on.
- AVOID ACCIDENTAL STARTING.** Don't carry plugged-in tool with finger on switch.

GUARANTEE

Black & Decker guarantees, for one year from date of purchase, to correct by repair or parts replacement without charge any defect due to faulty material or workmanship. Simply return the complete unit, transportation prepaid, to any Black & Decker Service Center or Authorized Service Station. Naturally, we assume no responsibility for damage caused by misuse, careless handling or where repairs have been made or attempted by others. No other guarantee, written or verbal, is authorized by us.



SWITCH

Pull the trigger switch to turn the motor "ON". Releasing the trigger instantly turns the motor "OFF," but the blade will continue to rotate for a short time. For safer operation, this tool has no provision to lock the switch in the "ON" position.

MOUNTING SAW BLADES

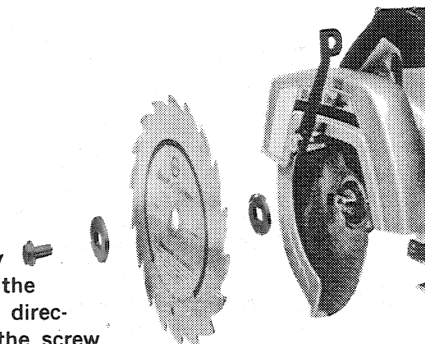
1. BE SURE THE SAW IS DISCONNECTED FROM THE POWER SUPPLY!

2. To remove blade clamping screw:

— a. **ON NEW SAWS** (without blade attached), turn screw counter-clockwise with blade wrench provided. If screw does not loosen easily from spindle, tap the outer end of the wrench sharply in a counter-clockwise direction with a piece of wood to "free" the screw threads. Remove screw and outer clamp washer.

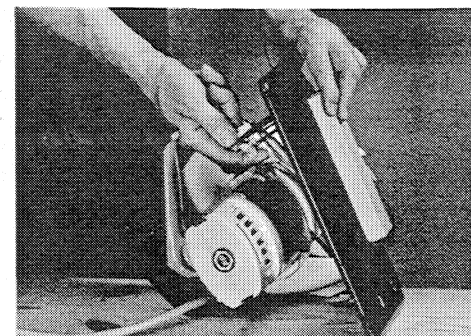
— b. **ON SAWS WITH BLADE ATTACHED,** turn the blade so that the single hole in the rim is exposed at the front of the saw. Put a nail through this hole and turn the blade counter-clockwise until the nail is against the housing and stops the blade from turning. Turn the blade clamping screw counter-clockwise with the blade wrench and remove the screw and outer clamp washer.

3. To attach the blade, retract the lower blade guard and slip the blade over the saw spindle against the inner clamp washer with printed side of blade out (teeth at bottom of blade pointing forward). Place outer clamp washer on spindle so that "flats" in washer fit "flats" on spindle. Thread on clamping screw to hold washer in position. Place a nail through hole in blade rim so that nail rests on front of saw shoe and keeps blade from turning. Tighten clamping screw (clockwise) firmly with the blade wrench.



CUTTING DEPTH ADJUSTMENT

DISCONNECT PLUG FROM POWER SUPPLY BEFORE MAKING THIS OR ANY OTHER ADJUSTMENT. Loosen wing nut on left side of sawdust ejector, raise or lower shoe to desired depth of cut. Allow blade tooth depth only to project below bottom of material. Tighten wing nut securely.



BEVEL ANGLE ADJUSTMENT

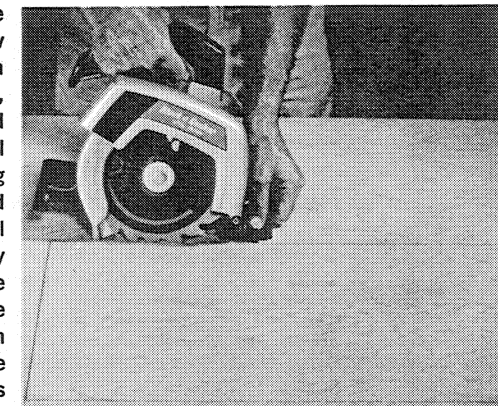
DISCONNECT PLUG FROM POWER SUPPLY BEFORE MAKING THIS OR ANY OTHER ADJUSTMENT. Loosen knob at front of saw and tilt saw base (shoe) to cutting angle desired. Retighten knob securely.

SAW OPERATION

Rest front of saw base (shoe) on work. Line up blade with cutting line. Blade teeth should not contact work. Lower blade guard should be free. Pull trigger and guide saw through its cut with firm pressure but without forcing. Undue force actually slows down the cutting and produces a rougher cut. Keep blades sharp. Dull or incorrectly set teeth may cause saw to swerve or stall under pressure. **IF SAW STALLS, RELEASE THE TRIGGER, DISCONNECT PLUG FROM POWER SUPPLY AND THEN BACK THE SAW UNTIL IT IS LOOSE. BE SURE BLADE CLEARS THE WORK BEFORE RE-STARTING CUTTING.**

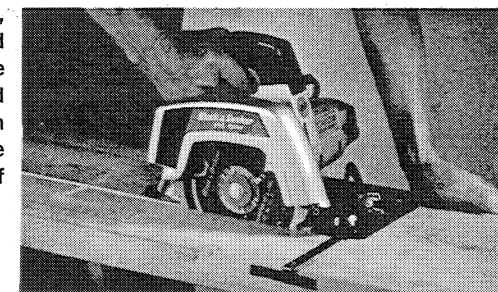
POCKET CUTS

Adjust saw base (shoe) so blade cuts at desired depth. Tilt saw forward and rest front of base on material to be cut. Using lever, retract blade guard to an upward position. Lower rear of base until blade teeth almost touch cutting line. Now release the blade guard and its contact with the work will keep it in position to open freely as you start the cut. Start the motor and gradually lower the saw until its base rests flat on the material to be cut. Advance saw along cutting line until cut is completed. Release trigger and allow blade to stop completely before withdrawing the blade from the material. When starting each new cut, repeat as above. Never tie the blade guard in a raised position.



ACCESSORY RIP FENCE

The Rip Fence permits fast, smooth rip-cuts without penciled lines. To install, insert Rip Fence in front slot, set Fence at desired distance from blade and tighten screw. The Rip Fence may also be inserted from the opposite side of the shoe slot.



Free Manuals Download Website

<http://myh66.com>

<http://usermanuals.us>

<http://www.somanuals.com>

<http://www.4manuals.cc>

<http://www.manual-lib.com>

<http://www.404manual.com>

<http://www.luxmanual.com>

<http://aubethermostatmanual.com>

Golf course search by state

<http://golfingnear.com>

Email search by domain

<http://emailbydomain.com>

Auto manuals search

<http://auto.somanuals.com>

TV manuals search

<http://tv.somanuals.com>