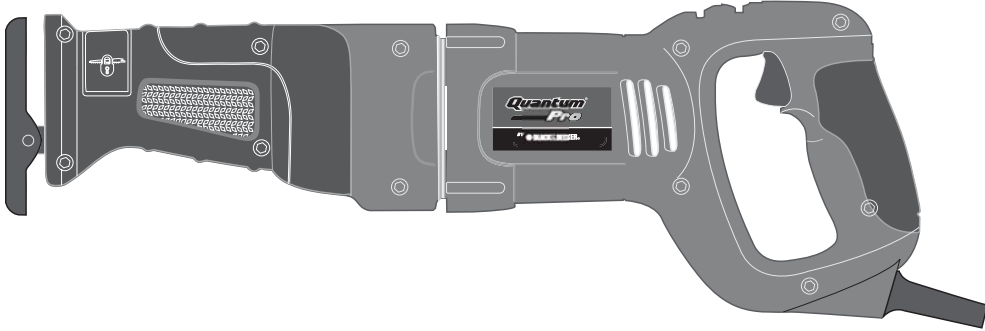


INSTRUCTION MANUAL

Cat. No. QP500



BEFORE RETURNING THIS PRODUCT FOR ANY REASON PLEASE CALL
1-800-544-6986

IF YOU SHOULD EXPERIENCE A PROBLEM WITH YOUR BLACK & DECKER PRODUCT, CALL **1-800-544-6986**

BEFORE YOU CALL, HAVE THE FOLLOWING INFORMATION AVAILABLE, CATALOG No., TYPE No., AND DATE CODE (e.g. 0130M). IN MOST CASES, A BLACK & DECKER REPRESENTATIVE CAN RESOLVE YOUR PROBLEM OVER THE PHONE. IF YOU HAVE A SUGGESTION OR COMMENT, GIVE US A CALL. YOUR FEEDBACK IS VITAL TO BLACK & DECKER.

SAVE THIS MANUAL FOR FUTURE REFERENCE.

VEA EL ESPAÑOL EN LA CONTRAPORTADA.

INSTRUCTIVO DE OPERACIÓN, CENTROS DE SERVICIO Y PÓLIZA DE GARANTÍA. **ADVERTENCIA:** LÉASE ESTE INSTRUCTIVO ANTES DE USAR EL PRODUCTO.

CAT. NO. QP500
Copyright © 2005 Black & Decker

FORM NO.633526-00 REV. 1
JUNE 2005

Printed in China

General Safety Rules

WARNING: Read and understand all instructions. Failure to follow all instructions listed below may result in electric shock, fire and/or serious personal injury.

SAVE THESE INSTRUCTIONS

Work Area

- **Keep your work area clean and well lit.** Cluttered benches and dark areas invite accidents.
- **Do not operate power tools in explosive atmospheres, such as in the presence of flammable liquids, gases, or dust.** Power tools create sparks which may ignite the dust or fumes. Use in well ventilated areas only.
- **Keep bystanders, children, and visitors away while operating a power tool.** Distractions can cause you to lose control.

Electrical Safety

- **Double insulated tools are equipped with a polarized plug (one blade is wider than the other.) This plug will fit in a polarized outlet only one way. If the plug does not fit fully in the outlet, reverse the plug. If it still does not fit, contact a qualified electrician to install a polarized outlet. Do not change the plug in any way.** Double insulation eliminates the need for the three wire grounded power cord and grounded power supply system.
- **Avoid body contact with grounded surfaces such as pipes, radiators, ranges and refrigerators.** There is an increased risk of electric shock if your body is grounded.
- **Don't expose power tools to rain or wet conditions.** Water entering a power tool will increase the risk of electric shock.
- **Do not abuse the cord. Never use the cord to carry the tools or pull the plug from an outlet. Keep cord away from heat, oil, sharp edges or moving parts. Replace damaged cords immediately.** Damaged cords increase the risk of electric shock.
- **When operating a power tool outside, use an outdoor extension cord marked "W-A" or "W."** These cords are rated for outdoor use and reduce the risk of electric shock.

Personal Safety

- **Stay alert, watch what you are doing and use common sense when operating a power tool. Do not use tool while tired or under the influence of drugs, alcohol, or medication.** A moment of inattention while operating power tools may result in serious personal injury.
- **Dress properly. Do not wear loose clothing or jewelry. Contain long hair. Keep your hair, clothing, and gloves away from moving parts.** Loose clothing, jewelry, or long hair can be caught in moving parts. Air vents cover moving parts and should be avoided.
- **Avoid accidental starting. Be sure switch is off before plugging in.** Carrying tools with your finger on the switch or plugging in tools that have the switch on invites accidents.
- **Remove adjusting keys or wrenches before turning the tool on.** A wrench or key that is left attached to a rotating part of the tool may result in personal injury.
- **Do not overreach. Keep proper footing and balance at all times.** Proper footing and balance enables better control of the tool in unexpected situations.
- **Use safety equipment. Always wear eye protection.** Dust mask, non-skid safety shoes, hard hat, or hearing protection must be used for appropriate conditions.

Tool Use and Care

- **Use clamps or other practical way to secure and support the workpiece to a stable platform.** Holding the work by hand or against your body is unstable and may lead to loss of control.
- **Do not force tool. Use the correct tool for your application.** The correct tool will do the job better and safer at the rate for which it is designed.
- **Do not use tool if switch does not turn it on or off.** Any tool that cannot be controlled with the switch is dangerous and must be repaired.
- **Disconnect the plug from the power source before making any adjustments, changing accessories, or storing the tool.** Such preventative safety measures reduce the risk of starting the tool accidentally.
- **Store idle tools out of reach of children and other untrained persons.** Tools are dangerous in the hands of untrained users.
- **Maintain tools with care. Keep cutting tools sharp and clean.** Properly maintained tools, with sharp cutting edges are less likely to bind and are easier to control.

- **Check for misalignment or binding of moving parts, breakage of parts, and any other condition that may affect the tools operation. If damaged, have the tool serviced before using.** Many accidents are caused by poorly maintained tools.
- **Use only accessories that are recommended by the manufacturer for your model.** Accessories that may be suitable for one tool, may become hazardous when used on another tool.

Service

- **Tool service must be performed only by qualified repair personnel.** Service or maintenance performed by unqualified personnel could result in a risk of injury.
- **When servicing a tool, use only identical replacement parts. Follow instructions in the Maintenance section of this manual.** Use of unauthorized parts or failure to follow Maintenance Instructions may create a risk of electric shock or injury.

Specific Safety Rules

- **Hold tool by insulated gripping surfaces when performing an operation where the cutting tool may contact hidden wiring or its own cord.** Contact with a "live" wire will make exposed metal parts of the tool "live" and shock the operator.
- **Keep hands away from cutting area.** Never reach underneath the material for any reason. Hold front of saw by grasping the contoured gripping area. Do not insert fingers or thumb into the vicinity of the reciprocating blade and blade clamp. Do not stabilize the saw by gripping the shoe.
- **Keep blades sharp.** Dull blades may cause the saw to swerve or stall under pressure.
- **Use extra caution when cutting overhead** and pay particular attention to overhead wires which may be hidden from view. Anticipate the path of falling branches and debris ahead of time.
- **When cutting pipe or conduit** ensure that they are free from water, electrical wiring, etc.

WARNING: Some dust created by power sanding, sawing, grinding, drilling, and other construction activities contains chemicals known to cause cancer, birth defects or other reproductive harm. Some examples of these chemicals are:

- lead from lead-based paints,
- crystalline silica from bricks and cement and other masonry products, and
- arsenic and chromium from chemically-treated lumber (CCA).

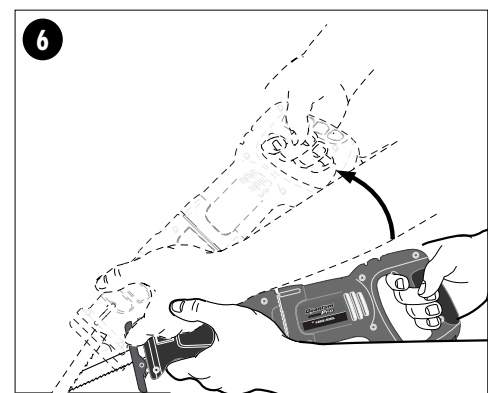
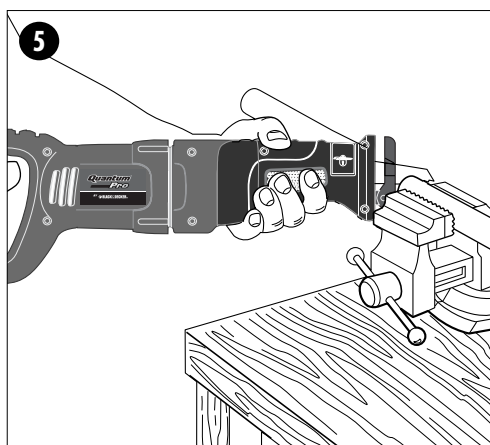
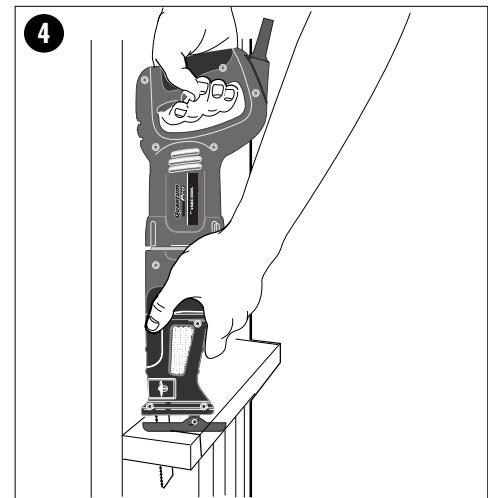
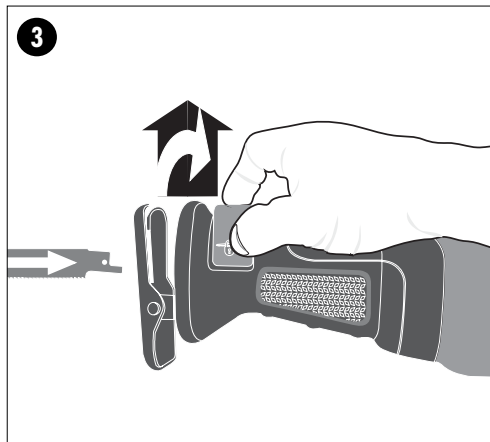
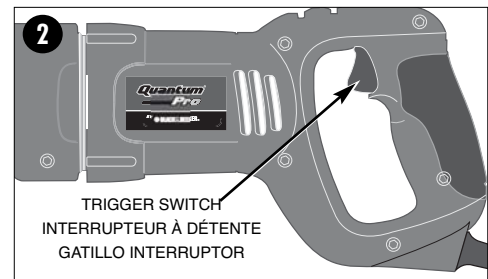
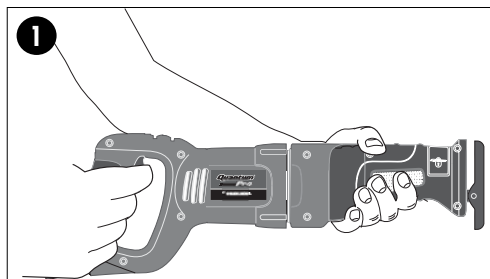
Your risk from these exposures varies, depending on how often you do this type of work. To reduce your exposure to these chemicals: work in a well ventilated area, and work with approved safety equipment, such as those dust masks that are specially designed to filter out microscopic particles.

CAUTION: Use of this tool can generate and/or disperse dust, which may cause serious and permanent respiratory or other injury. Always use NIOSH/OSHA approved respiratory protection appropriate for the dust exposure. Direct particles away from face and body.

CAUTION: Wear appropriate hearing protection during use. Under some conditions and duration of use, noise from this product may contribute to hearing loss.

The label on your tool may include the following symbols.

| | | | |
|-------------|-----------------------|----------------------|--|
| V | volts | A | amperes |
| Hz | hertz | W | watts |
| min | minutes | ~ | alternating current |
| — — — | direct current | n _o | no load speed |
| □ | Class II Construction | ⊕ | earthing terminal |
| ▲ | safety alert symbol | .../min | revolutions or reciprocations per minute |



USE OF EXTENSION CORDS

Make sure the extension cord is in good condition before using. Always use the proper size extension cords with the tool – that is, proper wire size for various lengths of cord and heavy enough to carry the current the tool will draw. Use of an undersized cord will cause a drop in line voltage resulting in loss of power and overheating. For proper size cords see chart below.

| Volts | Minimum Gauge for Cord Sets | | | | |
|---------------|------------------------------|---------------|---------|---------------------|----|
| | Total Length of Cord in Feet | | | | |
| 120V | 0-25 | 26-50 | 51-100 | 101-150 | |
| 240V | 0-50 | 51-100 | 101-200 | 201-300 | |
| Ampere Rating | | | | | |
| More Than | | Not more Than | | American Wire Gauge | |
| 0 | - 6 | 18 | 16 | 16 | 14 |
| 6 | - 10 | 18 | 16 | 14 | 12 |
| 10 | - 12 | 16 | 16 | 14 | 12 |
| 12 | - 16 | 14 | 12 | Not Recommended | |

MOTOR

Be sure your power supply agrees with nameplate marking. 120 Volts AC only means your tool will operate on standard 60 Hz household power. Do not operate AC tools on DC. A rating of 120 volts AC/DC means that you tool will operate on standard 60 Hz AC or DC power. This information is printed on the nameplate. Lower voltage will cause loss of power and can result in over-heating. All Black & Decker tools are factory-tested; if this tool does not operate, check the power supply.

SAVE THESE INSTRUCTIONS

OPERATION

CAUTION: Always wear eye protection while operating this power tool.

NOTE: Before cutting any type of material, be sure it is firmly anchored or clamped to prevent slipping.

- Place blade lightly against work to be cut.
- Switch on saw motor before applying pressure.
- Always hold saw firmly with both hands while cutting as shown in Figure 1. Whenever possible, the saw shoe must be held firmly against the material being cut. This will prevent the saw from jumping or vibrating and minimize blade breakage.

VARIABLE SPEED SWITCH (FIGURE 2)

The variable speed trigger switch will give you added versatility. The further the trigger is depressed the higher the speed of the saw. To turn the tool "OFF" release the trigger. **NOTE:** This tool has no provision to lock the switch in the ON position, and should never be locked in the ON position by any other means.

BLADE CLAMP RELEASE LEVER (FIGURE 3)

CAUTION: TURN OFF AND UNPLUG FROM POWER SUPPLY WHEN CHANGING BLADES.

To install blade into saw:

1. Lift the blade clamp release lever to its full open position as shown in Figure 3.
2. Insert blade shank from the front locating hole in blade over pin on reciprocating shaft.
3. Close blade clamp release lever.
4. Check to ensure blade is secure before cutting.

To remove blade from saw:

1. Open blade clamp release lever to its full open position.
2. Remove blade.

FLUSH CUTTING (FIGURE 4)

- The compact design of the reciprocating saw motor housing and pivoting shoe permit close cutting to floors, corners and other difficult areas.
- To maximize flush cutting capabilities, insert the blade shaft into the blade clamp with the teeth of the blade facing up.
- Turn the saw upside down so you are as close to the work surface as possible.

METAL CUTTING (FIGURE 5)

- Use a finer blade for ferrous metals and a coarse blade for non-ferrous materials.
- In thin gauge sheet metals it is best to clamp wood to both sides of sheet. This will ensure a clean cut without excess vibration or tearing of metal.
- Avoid forcing cutting blade as this reduces blade life and causes costly blade breakage.

NOTE: Spread a thin film of oil or other coolant along the line ahead of the saw cut for easier operation and longer blade life. For cutting aluminum, kerosene is preferred.

POCKET CUTTING - WOOD ONLY (FIGURE 6)

- Measure the surface area to be cut and mark clearly with a pencil, chalk or scribe.
- Insert blade in blade clamp and tighten blade clamp securely.
- Tip the saw backward until the back edge of the shoe is resting on the work surface and the moving blade will clear the surface.
- Switch motor on, permitting blade to obtain maximum speed.
- Grip handle steadily and begin a slow, deliberate upward swing with the handle of the saw.
- The blade will begin to feed into material. Always be sure blade is completely through material before continuing with pocket cut.

NOTE: In areas where blade visibility is limited, use the edge of the shoe as a guide.

PROJECT TIPS

- Cut only with sharp blades; they cut cleaner, faster and put less strain on the motor while cutting.
- When cutting, always ensure that the shoe is resting firmly against the workpiece. This will improve operator control and minimize vibration.
- For longer blade life, use bi-metal blades. These utilize a carbon steel back welded to high speed steel teeth making the blade more flexible and less prone to breaking.

MAINTENANCE

UNPLUG SAW AND REMOVE ACCESSORY WHEN PERFORMING ANY CLEANING OR OTHER MAINTENANCE. WHEN SERVICING USE ONLY IDENTICAL REPLACEMENT PARTS.

- Avoid using solvents when cleaning plastic parts. Most plastics are susceptible to various types of commercial solvents and may be damaged by their use. Use clean cloths to remove dirt, carbon dust etc.
- When electric tools are used on fiberglass boats, sports cars, drywall etc., they are subject to accelerated wear and possible premature failure, as the fiberglass chips and grindings and drywall dust are highly abrasive to bearings, brushes, commutator, etc. During any use on fiberglass or drywall it is extremely important that the tool be cleaned frequently by blowing with an air jet.

LUBRICATION

Your saw was properly lubricated before leaving the factory. Once every year take or send your saw to a Black & Decker service center, or authorized service station, for a complete cleaning, inspection and lubrication. Tools "out of service" for long periods should be relubricated before being put back to work.

IMPORTANT: To assure product SAFETY and RELIABILITY, repairs, maintenance and adjustment should be performed by authorized service centers or other qualified service personnel, always using identical replacement parts

ACCESSORIES

BLADES

The QP500 Reciprocating Saw will accept up to a 12 inch long blade. Always use the shortest blade suitable for your project but long enough to keep the blade cutting through the material. Longer blades are more likely to be bent or damaged during use. During operation some longer blades may vibrate or shake if the saw is not kept in contact with the workpiece.

PRUNING ATTACHMENT

A pruning attachment is also available for use with your QP500 Reciprocating Saw. This accessory attaches to the shoe of the saw and applies spring loaded pressure to the branch while cutting.

Recommended accessories for use with your saw are available from your local dealer or authorized service center. If you need assistance regarding accessories, please call:

1-800-544-6986.

WARNING: The use of any accessory not recommended for use with this tool could be hazardous.

SERVICE INFORMATION

Black & Decker offers a full network of company-owned and authorized service locations throughout North America. All Black & Decker Service Centers are staffed with trained personnel to provide customers with efficient and reliable power tool service. Whether you need technical advice, repair, or genuine factory replacement parts, contact the Black & Decker location nearest you. To find your local service location, refer to the yellow page directory under "Tools—Electric" or call: **1-800-544-6986.**

LIMITED TWO YEAR WARRANTY

Black & Decker (U.S.) Inc. warrants this product for two years against any defects in material or workmanship. The defective product will be replaced or repaired at no charge in either of two ways.

The first, which will result in exchanges only, is to return the product to the retailer from whom it was purchased (provided that the store is a participating retailer). Returns should be made within the time period of the retailer's policy for exchanges (usually 30 to 90 days after the sale). Proof of purchase may be required. Please check with the retailer for their specific return policy regarding returns that are beyond the time set for exchanges.

The second option is to take or send the product (prepaid) to a Black & Decker owned or authorized Service Center for repair or replacement at our option. Proof of purchase may

be required. Black & Decker owned and authorized Service Centers are listed under "Tools-Electric" in the yellow pages of the phone directory and available on our website www.blackanddecker.com.

This warranty does not apply to accessories. This warranty gives you specific legal rights and you may have other rights which vary from state to state. Should you have any questions, contact the manager of your nearest Black & Decker Service Center.

FREE WARNING LABEL REPLACEMENT: If your warning labels become illegible or are missing, call 1-800-544-6986 for a free replacement.

Black & Decker (U.S.) Inc.,
701 E. Joppa Rd.
Towson, MD 21286 U.S.A.



See "Tools-Electric"
— Yellow Pages —
for Service & Sales



No de cat. QP500

SCIE ALTERNATIVE À VITESSE VARIABLE

GUIDE TECHNIQUE

**AVANT DE RETOURNER LE PRODUIT
POUR QUELQUE RAISON QUE CE SOIT,
COMPOSER LE**

1 800 544-6986

▲ Règles générales de sécurité

AVERTISSEMENT – Lire attentivement et comprendre toutes les instructions. Toute omission à l'égard des instructions énumérées ci-dessous pourrait entraîner un choc électrique, un incendie et de graves blessures corporelles.

CONSERVER LES PRÉSENTES INSTRUCTIONS

Zone de travail

- **Garder la zone de travail propre et bien éclairée.** Un établi encombré et une zone sombre sont sources d'accidents.
 - **Ne pas utiliser un outil électrique dans une atmosphère explosive, notamment en présence de liquides, de gaz ou de poussière inflammables.** Un outil électrique produit des étincelles qui peuvent enflammer la poussière et les émanations. Ne l'utiliser que dans un endroit bien ventilé.
 - **Tenir éloignés les spectateurs, les enfants et les visiteurs pendant qu'un outil électrique est en marche.** Toute distraction peut être cause de perte de contrôle.
- ### Sécurité en électricité
- **Un outil à double isolement est muni d'une fiche polarisée, une lame étant plus large que l'autre. Cette fiche ne s'insère que d'une seule façon dans une prise polarisée. Inverser la fiche si elle ne s'insère pas complètement dans la prise. Si elle ne pénètre toujours pas dans la prise, faire appel à un électricien pour installer une prise polarisée. Ne remplacer en aucun cas la fiche.** Le double isolement élimine le besoin d'un cordon électrique à trois conducteurs avec mise à la terre et celui d'un système d'alimentation électrique à mise à la terre.
 - **Éviter tout contact du corps avec les surfaces mises à terre, notamment tuyaux, radiateurs, cuisinières, réfrigérateurs.** Le risque d'électrocution est encore plus grand si le corps de l'utilisateur est mis à la terre.
 - **Ne pas exposer les outils électriques à la pluie ou à des conditions humides.** L'eau qui pénètre dans un outil électrique accroît le risque d'électrocution.
 - **Ne pas faire un usage abusif du cordon électrique. Ne jamais utiliser le cordon pour transporter l'outil ou pour retirer la fiche de la prise. Tenir le cordon loin de la chaleur, de l'huile, des bords tranchants et des pièces mobiles. Remplacer immédiatement un cordon endommagé.** Un cordon endommagé accroît le risque d'électrocution.
 - **Lorsqu'un outil électrique est utilisé à l'extérieur, y brancher une rallonge d'extérieur marquée « W-A » ou « W ».** Ce type de cordon est prévu pour un usage extérieur et réduit le risque d'électrocution.

Sécurité personnelle

- **Demeurer vigilant, regarder ce que l'on fait et user de discernement lorsqu'un outil électrique est en marche. Ne jamais utiliser un outil lorsqu'on est fatigué ou sous l'influence de drogues, d'alcool ou de médicaments.** Un moment d'inattention pendant qu'un outil électrique est en marche peut entraîner de graves blessures corporelles.
- **Se vêtir adéquatement. Ne pas porter des vêtements amples ou des bijoux. Retenir les cheveux longs. Tenir ses cheveux, ses vêtements et ses gants loin des pièces mobiles.** Les vêtements amples, les bijoux et les cheveux longs peuvent être pris dans les pièces mobiles. Les événements couvrent des pièces mobiles et doivent être évités.
- **Éviter tout démarrage accidentel. S'assurer que l'interrupteur est à l'arrêt avant de brancher l'outil.** Afin d'éviter les accidents, ne pas transporter un outil électrique en ayant le doigt sur l'interrupteur, ni ne brancher l'outil dont l'interrupteur est en position de marche.
- **Retirer les clés de réglage avant de mettre l'outil en marche.** Une clé laissée attachée à une pièce en rotation de l'outil peut entraîner des blessures corporelles.
- **Ne pas tendre le bras trop loin. En tout temps, avoir une bonne prise de pied au sol et se tenir bien en équilibre.** Une bonne prise de pied et un bon équilibre permettent un meilleur contrôle de l'outil dans les situations imprévues.
- **Utiliser un équipement de sécurité. Toujours porter un protecteur oculaire.** Un masque antipoussières, des chaussures de sécurité à semelle antidérapante, un casque ou des protecteurs auditifs doivent être portés selon les circonstances.

Utilisation et entretien de l'outil

- **Utiliser des brides de serrage ou tout autre moyen pratique pour soutenir et assujettir la pièce à travailler sur une plate-forme stable.** La pièce à travailler tenue en main ou contre son corps est instable et peut engendrer une perte de contrôle.
- **Ne pas forcer l'outil. Utiliser le bon outil pour la bonne application.** Le bon outil fera le travail mieux et de façon plus sécuritaire à la vitesse pour laquelle il a été conçu.
- **Ne pas utiliser l'outil si l'interrupteur ne peut le mettre en marche ni l'arrêter.** Un outil qui ne peut être contrôlé à l'aide de l'interrupteur est dangereux et doit être réparé.
- **Débrancher la fiche de la source d'alimentation avant de procéder à des réglages, de changer les accessoires ou de ranger l'outil.** Ces mesures de sécurité préventives réduisent le risque de mise en marche accidentelle de l'outil.
- **Ranger l'outil tournant au ralenti hors de portée des enfants et des personnes inexpérimentées.** Les outils sont dangereux entre les mains d'utilisateurs inexpérimentés.
- **Manipuler l'outil avec soin. Conserver les outils de coupe affûtés et propres.** Un outil bien entretenu, dont les bords de coupe sont bien aiguisés, est moins susceptible de gripper et plus facile à contrôler.
- **Vérifier si les pièces mobiles sont bien alignées et ne grippent pas, si des pièces ne sont pas brisées et si l'outil ne présente pas toute autre condition susceptible de nuire à son bon fonctionnement. Si l'outil est endommagé, le faire réparer avant de l'utiliser.** De nombreux accidents sont dus à des outils mal entretenus.
- **N'utiliser que les accessoires recommandés par le fabricant du modèle en question.** Les accessoires qui peuvent convenir à un outil, peuvent devenir dangereux lorsqu'ils sont utilisés avec un autre outil.

Entretien

- **L'entretien de l'outil ne doit être effectué que par un réparateur qualifié.** L'entretien et la maintenance effectués par un personnel non qualifié pourraient engendrer des blessures.
- **Lors de l'entretien de l'outil, n'utiliser que des pièces de rechange identiques. Suivre les instructions de la section Maintenance du présent guide.** L'utilisation de pièces non autorisées ou l'omission de se conformer aux instructions de maintenance peuvent créer un risque de choc électrique et des blessures.

RÈGLES DE SÉCURITÉ PARTICULIÈRES

- Tenir l'outil par les surfaces de préhension isolées pour effectuer une opération dans laquelle l'outil de coupe peut entrer en contact de fils cachés ou de son propre cordon. Tout contact avec un fil sous tension met les parties métalliques exposées de l'outil sous tension et transmet un choc électrique à l'opérateur.
- Tenir les mains éloignées de la zone de coupe. Ne jamais passer la main sous la pièce à travailler. Tenir l'avant de la scie en saisissant la zone de préhension profilée. Ne pas rapprocher les doigts de la lame à va-et-vient et de la bride de fixation de la lame. Ne pas stabiliser la scie en saisissant la semelle.
- Conserver les lames bien affûtées. Des lames émoussées peuvent faire dévier la scie ou caler sous la pression.
- User de la plus grande prudence pour une coupe au-dessus de la tête et accorder une attention particulière aux fils suspendus qui peuvent être cachés de la vue. Prévoir la trajectoire de chute des branches et des débris longtemps à l'avance.
- Avant de couper un tuyau ou une conduite, s'assurer qu'ils ne contiennent pas d'eau, des fils électriques, etc.

⚠AVERTISSEMENT : Certaines poussières produites par les activités de ponçage, de sciage, de meulage, de perçage et autres activités de construction peuvent contenir des produits chimiques pouvant causer le cancer, des anomalies congénitales ou d'autres problèmes liés aux fonctions reproductrices. Voici quelques exemples de ces produits chimiques :

- le plomb contenu dans les peintures à base de plomb;
- la silice cristalline de la brique, du ciment et d'autres produits de maçonnerie; et
- l'arsenic de cuivre et de chrome provenant du bois traité chimiquement.




Les risques reliés à l'exposition à ces poussières varient selon la fréquence à laquelle vous travaillez avec ce type de matériaux. Afin de réduire votre exposition à ces produits chimiques : travaillez dans un endroit bien ventilé et portez un équipement de sécurité approuvé comme un masque anti-poussières conçu spécialement pour filtrer les particules microscopiques.

• Évitez le contact prolongé avec les poussières produites par les activités de ponçage, sciage, meulage, perçage et autres activités de construction. Portez des vêtements de protection et lavez les parties du corps exposées avec une solution d'eau et de savon. Le fait de laisser la poussière pénétrer par la bouche et les yeux, ou de la laisser reposer sur la peau, peut promouvoir l'absorption de produits chimiques nocifs.

⚠AVERTISSEMENT : L'utilisation de cet outil peut produire ou propulser des poussières qui pourraient causer des problèmes respiratoires graves et permanents, ou d'autres problèmes médicaux. Portez toujours un appareil respiratoire approuvé par la NIOSH/OSHA pour vous protéger de la poussière. Dirigez les particules à l'écart de votre visage et de votre corps.

⚠ATTENTION – Porter les protecteurs auditifs appropriés durant l'utilisation de l'outil. Dans certaines conditions et selon la durée d'utilisation, le bruit engendré par ce produit peut contribuer à la perte de l'ouïe.

- L'étiquette de l'outil peut comporter les symboles suivants.

| | | | |
|---|---------------------------|---|---------------------------|
| V | volts | A | ampères |
| Hz | hertz | W | watts |
| min | minutes | ~ | courant alternatif |
| ==== | courant continu | no..... | sous vide |
|  | Construction de classe II |  | borne de mise à la minute |
|  | symbole d'avertissement | .../min | tours à la minute |

UTILISATION DE RALLONGES ÉLECTRIQUES

S'assurer que la rallonge électrique est en bon état avant de l'utiliser. Toujours utiliser le bon format de rallonge électrique avec l'outil – notamment le calibre de fil approprié aux diverses longueurs de cordon et suffisamment solide pour transporter le courant que l'outil doit débiter. L'utilisation d'un cordon de calibre inférieur entraîne une chute de tension qui cause la perte de puissance et la surchauffe. Les calibres adéquats de cordon sont indiqués dans le tableau ci-dessous.

| Tension | Calibre minimal des cordons de rallonge | | | | | |
|---------------|---|-------------|--------------|--------------|----------------|----|
| | Longueur totale du cordon en pieds | | | | | |
| 120 V | De 0 à 25 | De 26 à 50 | De 51 à 100 | De 101 à 150 | | |
| 240 V | De 0 à 50 | De 51 à 100 | De 101 à 200 | De 201 à 300 | | |
| Intensité (A) | Calibre moyen de fil (AWG) | | | | | |
| | Au moins | Au plus | | | | |
| 0 | - | 6 | 18 | 16 | 16 | 14 |
| 6 | - | 10 | 18 | 16 | 14 | 12 |
| 10 | - | 12 | 16 | 16 | 14 | 12 |
| 12 | - | 16 | 14 | 12 | Non recommandé | |

MOTEUR

S'assurer que l'alimentation électrique correspond à celle indiquée sur la plaque signalétique. « 120 volts c.a. » signifie que l'outil fonctionne sur une alimentation électrique domestique standard de 60 Hz. Ne pas utiliser un outil à c.a. sur une alimentation c.c. Une tension de 120 volts c.a./c.c. signifie que l'outil fonctionne sur une alimentation c.a. ou c.c. standard de 60 Hz. Ces données sont indiquées sur la plaque signalétique. Une tension inférieure entraîne une perte de puissance, et peut causer une surchauffe. Tous les outils Black & Decker sont soumis à des essais en usine; si un outil ne fonctionne pas, vérifier l'alimentation électrique.

CONSERVER LES PRÉSENTES INSTRUCTIONS

UTILISATION

⚠ATTENTION – Toujours porter un protecteur oculaire pendant l'utilisation de cet outil électrique.

REMARQUE – Avant de procéder au coupage d'un matériau, s'assurer qu'il est solidement ancré ou fixé à l'aide de crampons afin de l'empêcher de glisser.

- Placer la lame légèrement contre la pièce à couper.
- Mettre le moteur de la scie en marche avant d'exercer une pression.
- Toujours tenir la scie fermement à deux mains en coupant comme l'illustre la figure 1. Dans la mesure du possible, tenir la semelle de la scie fermement contre le matériau à couper. Cela évitera à la scie de sauter et de vibrer, et réduira au minimum le bris de la lame.

GÂCHETTE DE VITESSE VARIABLE (FIGURE 2)

La gâchette de vitesse variable offre une polyvalence supplémentaire. Au fur et à mesure que la gâchette est enfoncée, la vitesse de la scie augmente. Pour mettre l'outil hors tension, relâcher la gâchette. **REMARQUE –** L'outil ne comporte pas de dispositif de verrouillage de la gâchette en position sous tension, et il ne doit jamais être verrouillé en position de marche par quelque moyen que ce soit.

LEVIER DE DÉGAGEMENT DE LA BRIDE DE FIXATION DE LA LAME (FIGURE 3)

⚠ATTENTION – METTRE HORS TENSION ET DÉBRANCHER DE L'ALIMENTATION ÉLECTRIQUE AVANT DE CHANGER DE LAME.

Pour placer la lame dans la scie :

1. Placer le levier de dégagement de la bride de fixation de la lame en pleine position ouverte, comme l'illustre la figure 3.
2. Insérer la queue de la lame à partir du trou de positionnement avant de la lame sur l'ergot de l'axe à mouvement alternatif.
3. Relever le levier de dégagement de la bride de fixation de la lame.
4. S'assurer que la lame est bien assujettie avant de commencer à couper.

Pour retirer la lame de la scie :

1. Placer le levier de dégagement de la bride de fixation de la lame en pleine position ouverte.
2. Retirer la lame.

COUPE À RAS (FIGURE 4)

- La forme compacte du logement du moteur de la scie alternative et la semelle pivotante permettent une coupe au ras des planchers, des angles et d'autres endroits difficiles d'accès.
- Afin d'optimiser les capacités de coupe à ras, insérer la queue de la lame dans la bride de fixation de la lame, les dents de la lame étant dirigées vers le haut.
- Renverser la scie afin d'être le plus proche possible de la surface de travail.

COUPE DU MÉTAL (FIGURE 5)

- Utiliser une lame plus fine pour les métaux ferreux et une lame plus grosse pour les matériaux non ferreux.
- Dans le cas de la tôle mince, il est préférable de fixer du bois des deux côtés de la tôle. Cela permet une coupe nette sans vibration excessive ni déchirure du métal.
- Éviter de forcer la lame de coupe pour ne pas en raccourcir la durée utile et causer un bris coûteux.

REMARQUE – Enduire d'une mince couche d'huile ou de tout autre liquide de refroidissement la ligne de coupe pour faciliter l'opération et prolonger la durée utile de la lame. Pour couper l'aluminium, le pétrole est préférable.

DÉCOUPAGE DE LOGEMENT – BOIS SEULEMENT (FIGURE 6)

- Mesurer la superficie à découper et la marquer clairement à l'aide d'un crayon, d'une craie ou d'un traçoir.
- Insérer la lame dans la bride de fixation et serrer solidement la bride.
- Incliner la scie vers l'arrière jusqu'à ce que le bord arrière de la semelle repose sur la surface à travailler.
- Mettre le moteur en marche, et attendre que la lame atteigne sa vitesse maximale.
- Tenir le manche solidement et amorcer un balancement lent et méthodique vers le haut au moyen du manche de la scie.

vLa lame commence à mordre dans le matériau. Toujours s'assurer que la lame a complètement traversé le matériau avant de continuer le découpage du logement.

REMARQUE – Aux endroits où la visibilité de la lame est limitée, utiliser le bord de la semelle comme guide.

CONSEILS PRATIQUES

- Ne couper qu'à l'aide de lames affûtées; elles coupent plus net, plus vite et soumettent le moteur à moins de contraintes durant la coupe.
- En coupant, toujours s'assurer que la semelle de l'outil repose contre la pièce à travailler. Le contrôle de l'opérateur est ainsi amélioré et les vibrations réduites au minimum.
- Afin d'obtenir une durée utile plus longue, utiliser des lames bimétalliques. Elles sont constituées d'un dos d'acier au carbone soudé à des dents en acier rapide, ce qui rend la lame plus flexible et moins cassante.

MAINTENANCE

DÉBRANCHER LA SCIE ET RETIRER L'ACCESSOIRE AVANT DE PROCÉDER AU NETTOYAGE OU À TOUTE AUTRE OPÉRATION DE MAINTENANCE. POUR L'ENTRETIEN N'UTILISER QUE DES PIÈCES DE RECHANGE IDENTIQUES.

- Éviter de nettoyer les pièces en plastique à l'aide de solvants. La plupart des matières plastiques sont sensibles aux divers types de solvants commerciaux qui peuvent les endommager. Utiliser un linge propre pour enlever la saleté, la poussière de carbone, etc.
- Lorsque les outils électriques sont utilisés sur des bateaux en fibre de verre, des voitures de sport, le placoplâtre, etc., ils s'usent plus rapidement et peuvent même subir des défaillances prématurées, car les copeaux et la sciure de fibre de verre ainsi que la poussière de placoplâtre sont très abrasifs pour les paliers, les balais, le commutateur, etc. Au cours de toute utilisation sur la fibre de verre et sur le placoplâtre, il est extrêmement important que l'outil soit fréquemment nettoyé au jet d'air.

LUBRIFICATION

La scie a été adéquatement lubrifiée avant de quitter l'usine. Une fois l'an, aller porter ou envoyer la scie à un centre de service Black & Decker, ou à un centre d'entretien autorisé, afin de la soumettre à un nettoyage complet, une inspection et un graissage. Les outils « hors service » durant de longues périodes doivent être graissés de nouveau avant d'être utilisés.

IMPORTANT – Afin d'assurer la SÉCURITÉ et la FIABILITÉ du produit, les réparations, la maintenance et les réglages doivent être effectués par un centre de service autorisé ou toute autre entreprise de service qualifiée, en utilisant toujours des pièces de rechange identiques.

ACCESSOIRES

LAMES

La scie alternative QP500 accepte les lames d'une longueur maximale de 12 pouces. Toujours utiliser la lame la plus courte qui convient au projet, mais assez longue pour permettre à la lame de couper le matériau de part en part. Les lames plus longues sont davantage susceptibles de se courber ou d'être endommagées durant l'utilisation. Durant leur utilisation, certaines lames plus longues peuvent vibrer ou osciller si la scie n'est pas tenue en contact avec la pièce à travailler.

ACCESSOIRE D'ÉLAGAGE

Un accessoire d'élagage est également disponible pour utilisation avec la scie alternative QP500. Cet accessoire s'attache à la semelle de la scie et exerce une pression à ressort sur la branche durant la coupe.

Les accessoires recommandés pour la scie sont disponibles chez le détaillant local ou au centre de service autorisé. Pour obtenir de l'aide au titre des accessoires, il suffit de composer le **1 800 544-6986**.

⚠AVERTISSEMENT – L'utilisation d'un accessoire non recommandé pour cet outil peut être dangereuse.

RENSEIGNEMENTS SUR LE SERVICE

Black & Decker offre partout en Amérique du Nord un réseau complet de centres de service autorisés appartenant à la société. Tous les centres de service Black & Decker sont dotés de personnel formé en vue de fournir à la clientèle un service efficace et fiable pour les outils électriques. Qu'il s'agisse de conseils techniques, de réparation ou de pièces de rechange d'origine, il suffit de communiquer avec le point de service Black & Decker le plus près. Pour trouver le centre de service local, consulter les pages jaunes sous la rubrique « Outils » (Tools–Electric) ou composer le **1 800 544-6986**.

GARANTIE LIMITÉE DE DEUX ANS

Black & Decker (É.-U.) Inc. garantit ce produit pour une durée de deux ans contre tout défaut de matériau ou de fabrication. Le produit défectueux sera remplacé ou réparé sans frais de l'une des deux façons suivantes :

La première façon consiste en un échange chez le détaillant où le produit a été acheté (à la condition que le magasin soit un détaillant participant). Tout retour doit se faire durant la période correspondant à la politique d'échange du détaillant (habituellement, entre 30 et 90 jours après l'achat). Une preuve d'achat peut être requise. Vérifiez auprès du détaillant pour connaître sa politique concernant les retours hors de la période définie pour les échanges.

La deuxième option est d'apporter ou d'envoyer le produit (transport payé d'avance) à un centre de réparation autorisé ou à un centre de service de Black & Decker pour faire réparer ou échanger le produit, à notre discrétion. Une preuve d'achat peut être requise. Les centres de service de Black & Decker et les centres de réparation autorisés sont répertoriés dans les pages jaunes sous la rubrique « Outils électriques » du bottin téléphonique. Cette garantie ne s'applique pas aux accessoires. Cette garantie vous accorde des droits légaux spécifiques et vous pourriez avoir d'autres droits qui varient d'un État ou d'une province à l'autre. Si vous avez des questions, communiquez avec le directeur du centre de réparation Black & Decker le plus près de chez vous.

Remplacement gratuit des étiquettes d'avertissement : Si vos étiquettes d'avertissement deviennent illisibles ou sont manquantes, composez le **1 (800) 544-6986** pour faire remplacer gratuitement vos étiquettes.

Imported by / Importé par
Black & Decker Canada Inc.
100 Central Ave.
Brockville (Ontario) K6V 5W6

Voir la rubrique "Outils électriques"
des Pages Jaunes
pour le service et les ventes.



SIERRA RECIPROCA DE VELOCIDAD VARIABLE

MANUAL DE INSTRUCCIONES

ANTES DE DEVOLVER ESTE PRODUCTO POR CUALQUIER RAZON LE ROGAMOS LLAME AL (55) 5326-7100

Reglas Generales de Seguridad

ADVERTENCIA: Lea cuidadosamente y comprenda todas las instrucciones.

Incumplimiento de cualquiera de las instrucciones puede resultar en una descarga eléctrica, incendio o lesiones.

GUARDE ESTAS INSTRUCCIONES

Zona de Trabajo

- Mantenga su zona de trabajo limpia y bien alumbrada. Sitios de trabajo abarrotados y lugares oscuros invitan a la ocurrencia de accidentes.
- No haga funcionar herramientas eléctricas en ambientes explosivos tales como en presencia de líquidos inflamables, gases o polvo. Las herramientas eléctricas crean chispas que pueden causar incendio en el polvo o gases. Utilice solamente en áreas bien ventiladas.
- Mantenga alejadas a las personas, niños y visitas mientras opere una herramienta eléctrica. Cualquier distracción puede resultar en una pérdida de control.

Seguridad Eléctrica

- Herramientas con doble aislado están equipadas con un enchufe polarizado (una mecha más ancha que la otra). Este enchufe se inserta en una salida polarizada de una sola manera. Si el enchufe no cabe enteramente en la salida, invierta la posición. Si aun no cabe, contacte a un electricista profesional para que instale una salida polarizada. No cambia el enchufe bajo ninguna circunstancia. El doble aislado elimina la necesidad de un cable a tres puntas con conexión a tierra y un sistema de corriente a tierra.
- Evite contacto del cuerpo con superficies a tierra tales como radiadores, cañerías, refrigeradores y cocinas. Existe un riesgo incrementado de descarga eléctrica si su cuerpo se encuentra en contacto a tierra.
- No exponga herramientas eléctricas a la lluvia o condiciones húmedas. Al entrar agua en una herramienta eléctrica el riesgo de descarga eléctrica aumenta.
- No abuse del cable. Nunca utilice el cable para cargar las herramientas o tire del enchufe de la salida eléctrica. Mantenga el cable alejado del calor, aceite, superficies cortantes o materiales en movimiento. Reemplazca cables dañados inmediatamente. Los cables dañados aumentan el riesgo de descarga eléctrica.
- Al utilizar una herramienta eléctrica en el exterior utilice una extensión marcada "W-A" o "W." Estos cables están registrados para uso en el exterior y reducen el riesgo de descarga eléctrica.

Seguridad Personal

- Manténgase alerta, preste atención a lo que esta haciendo y utilice el sentido común al operar una herramienta eléctrica. No utilice la herramienta si se encuentra cansado o bajo la influencia del alcohol, drogas o medicación. Un instante de desatención mientras opera una herramienta eléctrica puede resultar en lesiones importantes.
- Utilice vestimenta apropiada. No use vestimenta suelta o joyas. Ate el pelo suelto. Mantenga su pelo, vestimenta y guantes alejados de las partes en movimiento. Vestimenta suelta, joyas y pelo largo pueden atascarse con las partes en movimiento. Las salidas de ventilación cubren las partes en movimiento y deben ser evitadas.
- Evite el encendido accidental. Asegúrese de que el interruptor se encuentra apagado antes de enchufarlo. Acarrear la herramienta con el dedo sobre el interruptor o enchufar la herramienta con el interruptor encendido puede causar accidentes.
- Quite las llaves de ajuste o llaves inglesas antes de encender la herramienta. Una herramienta o llave que se deja sujeta a una parte en movimiento de la herramienta puede resultar en lesiones.
- No se sobreextienda. Mantenga una posición y un balance sólido en todo momento. Una posición estable y balance apropiado permite mejor control de la herramienta en situaciones inesperadas.
- Utilice equipo de seguridad. Siempre utilice gafas de protección. Una mascara contra el polvo, zapatos de seguridad contra deslice, casco de seguridad o protección a los oídos deben ser utilizados en condiciones apropiadas

Uso y Cuidado de Herramientas

- Utilice abrasadoras u otro medio practico para sujetar y soportar la pieza sobre una plataforma estable. Sujetando la pieza por mano o contra su cuerpo es inestable y puede resultar en una pérdida de control.
- No fuerce la herramienta. Utilice la herramienta correcta para su aplicación. La herramienta correcta cumplirá una más segura y mejor función a la velocidad para la cual esta diseñada..
- No utilice la herramienta si el interruptor no lo enciende y apaga. Cualquier herramienta que no puede ser controlada con el interruptor es peligrosa y debe ser reparada.
- Desconecte el enchufe de la fuente de energía antes de hacer ajustes, cambiar accesorios o guardar la herramienta. Estas medidas de prevención reducen el riesgo de que la herramienta se encienda accidentalmente.
- Guarde las herramientas fuera del alcance de los niños y otras personas no capacitadas en su uso. Las herramientas son peligrosas en manos de personas que no poseen la capacitación apropiada.
- Mantenga la herramienta con cuidado. Guarde herramientas de corte limpias y filosas. Herramientas que se mantienen bien con superficies de corte filosas son menos propensas a atascarse y más fáciles de manejar.
- Verifique el alineado o fijaciones de las partes movibles, rotura de partes y cualquier otra condición que pueda afectar la operación de la herramienta. Si se encuentra dañada, hagale una revisión y servicio antes de usarla. Muchos accidentes son causados por herramientas en pobre estado de mantenimiento.
- Solamente utilice accesorios para su modelo recomendados por el fabricante. Los accesorios que pueden ser útiles para una herramienta pueden ser peligrosos cuando usados en otra.

Servicio

- El servicio de mantenimiento para una herramienta debe ser realizado por un técnico calificado en reparaciones. El servicio o mantenimiento realizado por personal no calificado puede resultar en riesgos de lesión.
- Al darle servicio a una herramienta utilice solamente repuestos idénticos. Siga las instrucciones contenidas bajo la sección de mantenimiento de este manual. El uso de repuestos no autorizados o el no-seguimiento de las instrucciones de mantenimiento puede crear un riesgo de descarga eléctrica o lesión.

REGLAS ESPECIFICAS DE SEGURIDAD

- Sostenga la herramienta por las superficies aisladas al usarla cuando una herramienta de cortar pueda entrar en contacto con cables ocultos o su propio cable. El contacto con un cable vivo hará que las partes expuestas de metal se convierta en vivo y habrá una descarga eléctrica al operador.
- Mantenga las manos lejos del área de corte. Nunca alcance debajo del material por ninguna razón. Mantenga la parte delantera de la sierra sosteniendo el área demarcada para ese fin. No inserte los dedos o el dedo gordo en la proximidad de la cuchilla de cortar circulante ni su abrazadera. No intente estabilizar la sierra sosteniendo la plataforma de sostén.
- Mantenga la cuchilla afilada. Las cuchillas desgastadas pueden resultar en que la sierra se desvíe o pare bajo presión.
- Preste suma atención al cortar a lo alto y preste atención a los cables aéreos que pueden estar ocultos de la vista. Anticipe la caída de ramas o deshechos que puedan caer de arriba.
- Al cortar cañería o conductos asegúrese de que estén libres de agua, cables eléctricos etc.

ADVERTENCIA: El polvo creado al lijar, aserrar, pulir, taladrar o realizar otras actividades de la construcción, contiene sustancias químicas que se sabe producen cáncer, defectos de nacimiento u otros defectos del sistema reproductor. Algunos ejemplos de esos productos químicos son:

- El plomo de las pinturas a base de plomo,
- La sílice cristalina de los ladrillos, del cemento y de otros productos de albañilería, y
- El arsénico y el cromo de la madera tratada químicamente (CCA).

El riesgo que se corre a causa del contacto con esos productos varía según la frecuencia con que usted realice este tipo de trabajos. Con el fin de reducir su exposición a esas sustancias químicas, trabaje en un área bien ventilada y utilice un equipo de seguridad reglamentario, tal como una máscara contra el polvo especialmente diseñada para filtrar partículas microscópicas.

- Evite el contacto prolongado con el polvo proveniente del lijado, aserrado, amolado y taladrado eléctrico y otras actividades de construcción. Use vestimenta protectora y lave todas las áreas expuestas con agua y jabón. De entrar polvo en sus ojos, boca, o que este permanezca sobre su piel puede promover la absorción de químicos dañinos.

ADVERTENCIA: El uso de esta herramienta puede generar y/o dispersar el polvo, el cual puede ocasionar lesión respiratoria u otro tipo de lesión grave y permanente. Utilice siempre protección respiratoria NIOSH/OSHA apropiada para la exposición al polvo.

Dirija las partículas lejos de su cara o su cuerpo.

CAUCION: Utilice protección para los oídos durante el uso. Bajo ciertas condiciones y duración de uso, el ruido de este producto puede contribuir a una pérdida del uso del oído.

La etiqueta de su herramienta puede incluir los siguientes símbolos.

| | | | |
|------------|-----------------------------|----------------------|---------------------------------|
| V | volts | A | amperes |
| Hz | hertz | W | watts |
| min | minutos | ~ | corriente alterna |
| ==== | corriente directa | n ₀ | velocidad sin carga |
| ☐ | construcción clase II | ⊕ | terminales de conexión a tierra |
| ⚠ | símbolo de alerta seguridad | .../min | revoluciones o minuto |

USO DE CABLES DE EXTENSION

Asegúrese de que el cable de extensión se encuentre en buenas condiciones antes de usarlo. Siempre utilice el tamaño adecuado de extensión para la herramienta, eso es, tamaño adecuado para varias longitudes de cable y suficientemente adecuadas como para conducir la corriente que la herramienta utilizará. El uso de una extensión de tamaño menor al adecuado resultará en una caída del voltaje llevando a una caída de corriente y sobrecalentamiento. Para el tamaño adecuado consulte el cuadro siguiente:

| Calibre mínimo para cordones de extensión | | | | | |
|---|-------------------------------------|-------------------|---------------|----------------|----|
| VOLTS | Longitud total del cordón en metros | | | | |
| 120V | 0 - 7,62 | 7,63 - 15,24 | 15,25 - 30,48 | 30,49 - 45,72 | |
| 240V | 0 - 15,24 | 15,25 - 30,48 | 30,49 - 60,96 | 60,97 - 91,44 | |
| AMPERAJE | | | | | |
| Más de | No más de | Calbre del cordón | | | |
| 0 | - 6 | 18 | 16 | 16 | 14 |
| 6 | - 10 | 18 | 16 | 14 | 12 |
| 10 | - 12 | 16 | 16 | 14 | 12 |
| 12 | - 16 | 14 | 12 | No Recomendado | |

MOTOR

Verifique que la toma de corriente coincida con el detalle en la placa. 120 Voltios AC solamente indican que su herramienta podrá operar con la corriente normal de su casa de 60 Hz. No opere herramientas AC en DC. Un registro de 120 Voltios AC/DC significa que su herramienta podrá operar con una toma de corriente estándar de 60 Hz AC o DC. Esta información esta impresa en la placa. Un voltaje más bajo causará una pérdida de corriente y puede resultar en sobrecalentamiento. Todas las herramientas Black & Decker son puestos a prueba en fabrica. Si esta herramienta no funciona, verifique la salida de corriente.

GUARDE ESTAS INSTRUCCIONES

OPERACION

CAUCION: Siempre utilice gafas de protección al usar esta herramienta.

NOTA: Antes de cortar cualquier material asegúrese de que se encuentra bien firme o sujetado para evitar que se resbale.

- Coloque la sierra ligeramente sobre el material a ser cortado.
- Encienda el motor antes de aplicar cualquier presión.
- Siempre sujete la sierra firmemente con las dos manos mientras este cortando, de acuerdo a lo indicado en el cuadro 1. Siempre que sea posible, la base de la sierra debe mantenerse firme contra el material que se corta. Esto evitará que la sierra vibre o salte y minimizará rotura en la cuchilla.

ENCENDIDO DE VELOCIDAD VARIABLE (CUADRO 2)

El gatillo de velocidad variable le dará mas versatilidad. Cuanto más apriete el gatillo mas alta será la velocidad de la sierra. Para apagar le herramienta suelte el gatillo. **NOTA:** esta herramienta no cuenta con un dispositivo para fijar el encendido en marcha y nunca debe ser cerrado en marcha por ningún dispositivo.

PALANCA PARA SOLTAR LA CUCHILLA (CUADRO 3)

CAUCION: APAGUE Y DESENCHUFE DE LA TOMA DE CORRIENTE AL CAMBIAR DE CUCHILLA.

Para instalar la cuchilla en la sierra:

- Levante la palanca a su posición totalmente abierta de acuerdo a lo indicado en el cuadro 3.
- Inserte la cuchilla desde adelante ubicando el agujero sobre el mismo que se encuentra sobre el eje rotativo.
- Cierre la palanca de la cuchilla.
- Verifique que la cuchilla se encuentra segura y firme antes de cortar.

Para quitar la cuchilla de la sierra:

- Abra la palanca a su posición totalmente abierta.
- Quite la cuchilla.

CORTE DE ALINEADO (CUADRO 4)

- El diseño compacto de la plataforma que sostiene el motor de la sierra permite un corte alineado de pisos, esquinas y otros sitios de difícil acceso.
- Para maximizar la capacidad de corte alineado inserte la cuchilla en el soporte con los dientes hacia arriba.
- Vuelva la sierra al revés de manera tal que se encuentre lo mas cerca posible de la superficie a cortar.

CORTE DE METALES (CUADRO 5)

- Utilice una cuchilla más fina para metales ferrosos y una cuchilla mas espesa para material no ferroso.
- Con laminas de metal más fino es mejor colocar madera en ambos costados de la lamina. Esto asegurara un corte limpio sin exceso de vibración ni rotura de la lamina.
- Evite forzar la cuchilla ya que esto reduce la vida útil de la misma y causa roturas costosas. **NOTA:** Cubra la línea delante de la sierra con aceite u otro material refrigerante para facilitar el corte y prolongar la vida útil de la cuchilla. Para cortar aluminio, es preferible kerosén.

CORTE DE HUECOS – MADERA SOLAMENTE (CUADRO 6)

- Cida la superficie a ser cortada y márquela claramente en lápiz. Tiza o marcador.
- Inserte la cuchilla en el sujetador y ajústela bien.
- Invierta la cuchilla hacia atrás hasta que la plataforma se encuentra sobre la superficie a cortar.
- Encienda el motor permitiendo que la cuchilla alcance máxima velocidad.
- Sujete la manija firmemente y comience con un movimiento hacia arriba suave y firme con la manija de la sierra.
- La cuchilla comenzará a penetrar el material. Siempre asegúrese de que la cuchilla haya atravesado completamente el material antes de continuar con el corte del hueco. **NOTA:** En zonas donde la visibilidad de la cuchilla es limitada use el costado de la plataforma como guía.

RECOMENDACIONES

- Corte solamente con cuchillas afiladas, cortan mas nítidamente, más rápido y esfuerzan menos al motor.
- Al cortar siempre asegúrese que la plataforma se encuentre apoyada contra la superficie. Esto mejorará el control por parte del operador y minimizará la vibración.
- Para una vida útil más larga de la cuchilla use cuchillas bimetalicas. Estos utilizan carbono de acero soldado a alta velocidad que hace que las cuchillas sean más flexibles y menos propensas a romperse.

MANTENIMIENTO

DESENCHUFE LA SIERRA Y quite el accesorio al limpiar o realizar otro tipo de mantenimiento. Al realizar trabajos de mantenimiento utilice solamente partes y repuestos idénticos.

- Evite usar solventes al limpiar las partes plásticas. La mayoría de los plásticos son susceptibles a reaccionar ante varios tipos de solventes comerciales y pueden causar daño. Utilice paños limpios para remover polvo de carbón, tierra, suciedad, etc.
- Cuando se utilizan herramientas eléctricas sobre botes de fibra de vidrio, autos deportivos, mampostería, etc. están sujetos a desgaste acelerado y posible falla prematura ya que los cortes y desperdicios de la fibra de vidrio y mampostería son altamente abrasivos para los rulemanes, cepillos, etc. Durante cualquier uso sobre fibra de vidrio es sumamente importante que la herramienta sea limpiada con frecuencia mediante soplido con aire comprimido.

LUBRICACION

Su sierra probablemente fue lubricada antes de salir de fabrica. Una vez al año lleve o envíe su sierra a su centro de servicio Black & Decker o una estación autorizada para una limpieza completa, inspección y lubricación. Herramientas "Fuera de servicio" por mucho tiempo deben ser lubricadas nuevamente antes de volver a usarlas.

IMPORTANTE: Para asegurar la SEGURIDAD y FIABILIDAD del producto, las reparaciones, mantenimiento y ajustes deben ser realizados por un centro de servicio autorizado u otra organización calificada, siempre utilizando repuestos idénticos.

ACCESSORIOS

CUCHILLAS

La sierra QP500 reciproca puede llevar una cuchilla de hasta 12 pulgadas. Siempre use la cuchilla más corta que sea conveniente para su proyecto pero suficientemente larga como para que pueda atravesar todo el material. Las cuchillas mas largas son susceptibles de doblarse o romperse durante su uso. Durante el uso algunas cuchillas mas largas pueden vibrar o temblar si la sierra no se mantiene en contacto con el material.

ACCESORIO PARA PODAR

Un accesorio para podar se encuentra disponible para uso con su sierra QP500. Este accesorio se coloca en la plataforma de la sierra y aplica presión sobre la rama mientras corta.

Accesorios recomendados para uso con su sierra se encuentran disponibles en su agente autorizado local o centro de servicio autorizado. Si necesita asistencia respecto accesorios llame al: **(55) 5326-7100**

⚠ ADVERTENCIA: El uso de cualquier accesorio no recomendado para uso con esta herramienta puede ser peligroso.

INFORMACION RESPECTO EL SERVICIO

Black & Decker ofrece una red de centros de servicio propios y agentes autorizados a través de Norte América. Todos los centros de servicio Black & Decker cuentan con personal capacitado para ofrecer servicio al cliente. Sea para necesidad de asistencia técnica o repuestos auténticos de fabrica, contacte a la oficina más cercana de Black & Decker. Para ubicar el centro más cercano busque en las pagina samarillas bajo "Herramientas Eléctricas" o llame al **(55) 5326-7100**.

GARANTÍA LIMITADA DE DOS AÑOS

Black & Decker (EE.UU.) Inc. ofrece una garantía de dos años por cualquier defecto del material o de fabricación de este producto. El producto defectuoso se reparará o reemplazará sin costo alguno de dos maneras.

La primera opción, el reemplazo, es devolver el producto al comercio donde se lo adquirió (siempre y cuando se trate de un comercio participante). Las devoluciones deben realizarse conforme a la política de devolución del comercio (generalmente, entre 30 y 90 días posteriores a la venta). Le pueden solicitar comprobante de compra. Consulte en el comercio acerca de la política especial sobre devoluciones una vez superado el plazo establecido.

La segunda opción es llevar o enviar el producto (con flete pago) a un Centro de servicio autorizado propio de Black & Decker para su reparación o reemplazo según nuestro criterio. Le pueden solicitar comprobante de compra. Encontrará una lista de los Centros de servicio autorizados y de propiedad de Black & Decker bajo "Herramientas eléctricas (Tools-Electric)" en las páginas amarillas de la guía telefónica.

Esta garantía no se extiende a los accesorios. Esta garantía le concede derechos legales específicos; pueden variar según el estado. Ante cualquier inquietud, comuníquese con el Centro de servicio de Black & Decker más cercano.

Reemplazo gratuito de la etiqueta de advertencias: Si sus etiquetas de advertencia se vuelven ilegibles o faltan, llame al **(55)5326-7100** para que se le reemplacen gratuitamente.

Para reparación y servicio de sus herramientas eléctricas, favor de dirigirse al Centro de Servicio más cercano:

CULIACAN, SIN

Av. Nicolás Bravo #1063 Sur
(667) 7 12 42 11

Col. Industrial Bravo

GUADALAJARA, JAL

Av. La Paz #1779

(33) 3825 6978

Col. Americana Sector Juarez

MEXICO, D.F.

Eje Central Lázaro Cardenas

No. 18

(55) 5588 9377

Local D, Col. Obrera

MERIDA, YUC

Calle 63 #459-A

(999) 928 5038

Col. Centro

MONTERREY, N.L.

Av. Francisco I. Madero

No.831

(81) 8375 2313

Col. Centro

PUEBLA, PUE

17 Norte #205

(222) 246 3714

Col. Centro

QUERETARO, QRO

Av. Madero 139 Pte.

(442) 214 1660

Col. Centro

SAN LUIS POTOSI, SLP

Av. Universidad 1525

(444) 814 2383

Col. San Luis

TORREON, COAH

Blvd. Independencia, 96 Pte.

(871) 716 5265

Col. Centro

VERACRUZ, VER

Prolongación Díaz Mirón #4280

(229)921 7016

Col. Remes

VILLAHERMOSA, TAB

Constitución 516-A

(993) 312 5111

Col. Centro

PARA OTRAS LOCALIDADES LLAME AL: (55) 5326 7100

Para servicio y ventas consulte
"HERRAMIENTAS ELECTRICAS"
en la sección amarilla.



IMPORTADO: BLACK & DECKER S.A. DE C.V.
BOSQUES DE CIDROS ACCESO RADIATAS NO. 42
COL. BOSQUES DE LAS LOMAS.
05120 MÉXICO, D.F
TEL. (55)5326-7100

Epecificaciones

QP500

| | |
|--------------------------|----------|
| Tensión de alimentación: | 120 V CA |
| Potencia nominal: | 949 W |
| Consumo de corriente: | 8,5 A |
| Frecuencia de operación: | 60 Hz |

Free Manuals Download Website

<http://myh66.com>

<http://usermanuals.us>

<http://www.somanuals.com>

<http://www.4manuals.cc>

<http://www.manual-lib.com>

<http://www.404manual.com>

<http://www.luxmanual.com>

<http://aubethermostatmanual.com>

Golf course search by state

<http://golfingnear.com>

Email search by domain

<http://emailbydomain.com>

Auto manuals search

<http://auto.somanuals.com>

TV manuals search

<http://tv.somanuals.com>