



BDWS100 MITER SAW STAND

INSTRUCTION MANUAL

THANK YOU FOR CHOOSING BLACK & DECKER!
GO TO WWW.BLACKANDDECKER.COM/NEWOWNER
TO REGISTER YOUR NEW PRODUCT.

**BEFORE RETURNING THIS PRODUCT
FOR ANY REASON PLEASE CALL
1-800-544-6986**

BEFORE YOU CALL, HAVE THE FOLLOWING INFORMATION
AVAILABLE, CATALOG No., TYPE No., AND DATE CODE . IN MOST
CASES, A **BLACK & DECKER** REPRESENTATIVE CAN RESOLVE THE
PROBLEM OVER THE PHONE. IF YOU HAVE A SUGGESTION OR
COMMENT, GIVE US A CALL. YOUR FEEDBACK IS VITAL TO BLACK & DECKER.

SAVE THIS MANUAL FOR FUTURE REFERENCE.

INSTRUCTIVO DE OPERACIÓN, CENTROS DE SERVICIO Y
PÓLIZA DE GARANTÍA. **ADVERTENCIA:** LEASE ESTE
INSTRUCTIVO ANTES DE USAR EL PRODUCTO.

VEA EL ESPAÑOL EN LA CONTRAPORTADA.

POUR LE FRANÇAIS, VOIR LA COUVERTURE ARRIÈRE.



TABLE OF CONTENTS

IMPORTANT SAFETY INSTRUCTIONS	2
SAFETY GUIDELINES	2
GENERAL SAFETY RULES	3
CARTON CONTENTS	4
PREPARATION	4
ASSEMBLY	5
OPERATION	6
SERVICE	9
WARRANTY	9
FRENCH	10
SPANISH	17

IMPORTANT SAFETY INSTRUCTIONS

⚠ WARNING: READ ALL INSTRUCTIONS BEFORE OPERATING PRODUCT. FAILURE TO FOLLOW ALL INSTRUCTIONS LISTED BELOW MAY RESULT IN ELECTRIC SHOCK, FIRE AND OR SERIOUS INJURY.

SAVE THESE INSTRUCTIONS

SAFETY GUIDELINES - DEFINITIONS

It is important for you to read and understand this manual. The information it contains relates to protecting YOUR SAFETY and PREVENTING PROBLEMS. The symbols below are used to help you recognize this information.

⚠ DANGER: Indicates an imminently hazardous situation which, if not avoided, will result in death or serious injury.

⚠ WARNING: Indicates a potentially hazardous situation which, if not avoided, could result in death or serious injury.

⚠ CAUTION: Indicates a potentially hazardous situation which, if not avoided, may result in minor or moderate injury.

CAUTION: Used without the safety alert symbol indicates a potentially hazardous situation which, if not avoided, may result in property damage.

GENERAL SAFETY RULES



WARNING: READ ALL INSTRUCTIONS BEFORE OPERATING PRODUCT. FAILURE TO FOLLOW ALL INSTRUCTIONS LISTED BELOW MAY RESULT IN ELECTRIC SHOCK, FIRE AND OR SERIOUS INJURY.

IMPORTANT SAFETY INSTRUCTIONS

1. **ALWAYS READ AND UNDERSTAND ALL** instructions in the **INSTRUCTION MANUAL** that came with your miter saw before using this miter saw stand with your miter saw.
2. **KEEP WORK AREA CLEAN.** Cluttered areas and benches invite accidents. **BE SURE** to setup the stand in an area that allows for unobstructed handling of the workpieces you are planning to support with the stand.
3. **DON'T USE IN DANGEROUS ENVIRONMENT.** Don't use this stand or your miter saw in damp or wet locations, or expose them to rain. Keep work area well lighted.
4. **DO NOT LEAVE STAND OUTDOORS.** Always store the stand indoors after and between each use.
5. **ALWAYS UNPLUG POWER CORD** on miter saw before assembling the miter saw to, repositioning the miter saw on, and removing the miter saw from the stand.
6. **ALWAYS UNPLUG THE MITER SAW** and **REMOVE WORKPIECES** before making adjustments to the extension arms and workpiece stops.
7. **NEVER TRY TO OPERATE THE SUPPORT RELEASE HANDLES** while standing at the front of the miter saw. **ALWAYS GO AROUND TO THE BACK** of the miter saw to operate the release handles for the supports.
8. **ALWAYS UNPLUG THE MITER SAW AND REMOVE** the miter saw from the stand before relocating the stand and miter saw to a new work location. **ALWAYS LIFT THE STAND OFF THE GROUND** to move it to a new location, **NEVER** attempt to slide the stand to a new location.
9. **NEVER STAND OR SIT ON THE STAND.** Serious injury could occur if the miter saw is tipped or if the miter saw is unintentionally contacted during operation.
10. **BEFORE MAKING THE CUT ON YOUR WORKPIECE** make sure that before, during and after the cut is made that the stand is stable and both pieces are adequately supported by the miter saw and the stand. **DO NOT UNDER ANY CIRCUMSTANCES** make a cut on a workpiece that would make this stand or the workpiece unstable after the cut is made.
11. **CHECK DAMAGED PARTS. NEVER ATTACH AND USE** a miter saw with this stand if the miter saw is damaged in any way.
12. **NEVER ATTEMPT TO MAKE REPAIRS** to a damaged part. **ALWAYS RETURN THE MITER SAW STAND** to an authorized service center to have repairs made to the miter saw stand.
13. **ALWAYS SETUP THE MITER SAW STAND ON A LEVEL AND STABLE SURFACE.** It is unsafe to use any miter saw stand when setup on an uneven or unstable surface.
14. **CHECK TO BE SURE THAT THE LEGS ARE SECURELY LOCKED** before assembling any miter saw to the stand.
15. **USE ONLY** the miter saw supports shipped with the stand to secure any miter saw to the stand. **USE** of any other means of fastening a miter saw to the stand is **NOT** recommended and will void the warranty for the miter saw stand.

16. **THIS** miter saw stand is designed to support miter saws **ONLY**. It is designed to support 500 lbs. safely. **DO NOT** overload this stand. **DO NOT** make any modifications to this stand since it may reduce the load that the stand can safely support.
17. **SECURELY FASTEN** your miter saw to the stand supports and make sure the supports are securely fastened to the stand before each use of your miter saw with this stand.
18. **ALWAYS UNPLUG THE MITER SAW** and remove the miter saw from the stand before folding up the stand for storage.

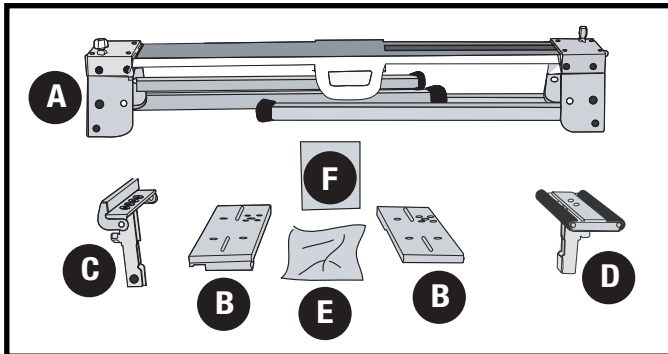
SAVE THESE INSTRUCTIONS.

Refer to them often and use them to instruct others.

CARTON CONTENTS

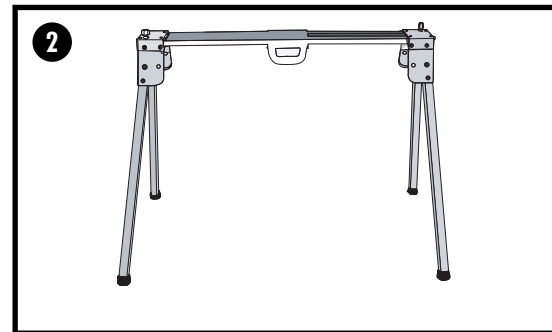
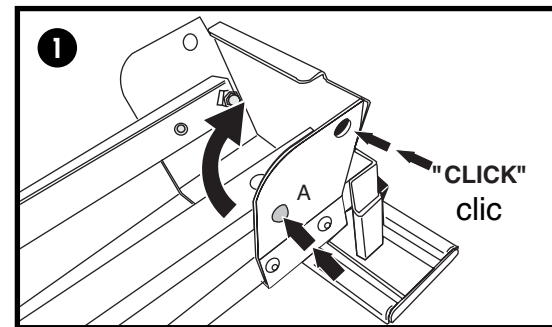
THE PACKAGE SHOULD CONTAIN THE FOLLOWING PARTS.

- A - MITER STAND ASSEMBLY
- B - 2 PLATFORM SUPPORTS
- C - FIXED SUPPORT ASSEMBLY
- D - ROLLER SUPPORT ASSEMBLY
- E - HARDWARE BAG
- F - INSTRUCTION MANUAL



1. Preparation (Fig 1 & 2)

Lay the miter saw stand on the floor with the legs on top. Push the locking pin and pull each leg up until the locking pin (A) clicks into the detent. Lift the stand by the center beam and place it in an upright position. The stand should be stable and should not rock. Check the legs to be sure that the locking pins have engaged and the legs are firmly held in place.



ASSEMBLY

ASSEMBLY TOOLS REQUIRED (NOT SUPPLIED):

- Adjustable Wrench
- Phillips Screwdriver

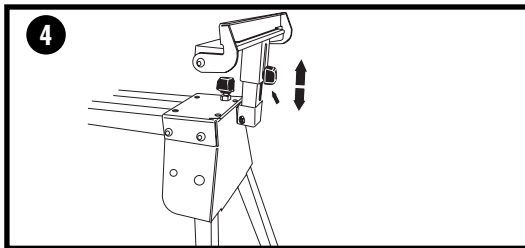
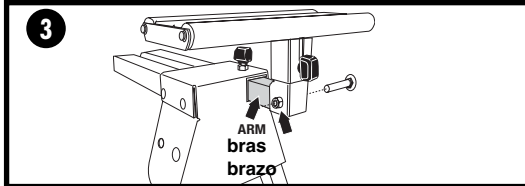
APPROXIMATE ASSEMBLY TIME: 15 minutes

⚠ CAUTION: CHECK TO BE SURE THAT THE LEGS ARE SECURELY LOCKED before assembling any miter saw to the stand.

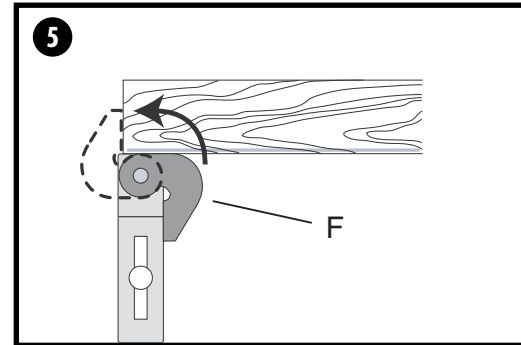
2. ATTACHING THE WORK STOP & ROLLER SUPPORT

The support is to be attached to the extension arm using the lock nut and carriage bolt provided. **(Fig 3)** Loosen the knobs above the legs to allow the extension arms to be pulled out from each end of the main support beam. The work stop can be installed at the end of the extension arms. **(Fig 4)**

3. Adjust the height of the support by loosening the locking knob and raise or lower the top surface to align with a straight edge or level to the saw table. Tighten the locking knob. **(Fig 3)**



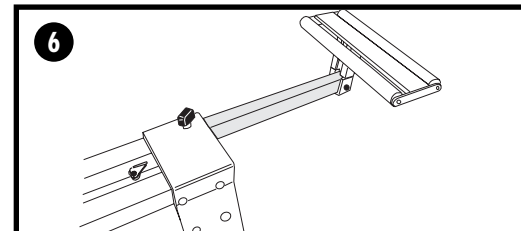
4. The length stop (F) may be rotated up to serve as a length stop or hold the end of long work pieces. **(Fig 5)**



5. Adjustable Length Extension arm

To lengthen the support surface, turn the Lock Knob counterclockwise to release the extension arm. Pull the extension arm out to the desired length. Turn the knob clockwise to lock.

6. The extension arms are interchangeable, there are extension arm stops on the inside of the main beam to prevent unintentional removal of the extension arms, to remove the extension arms rotate the stop to allow the extension arms to be removed.

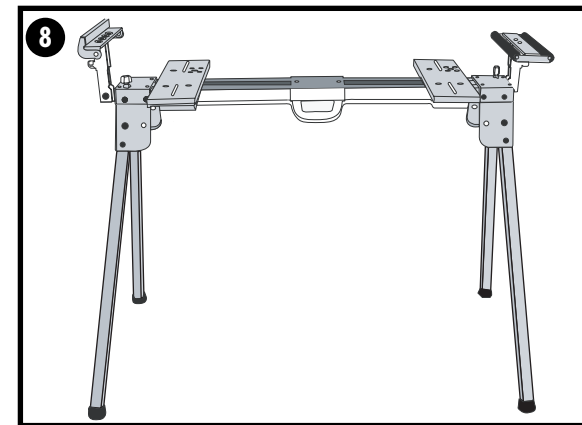
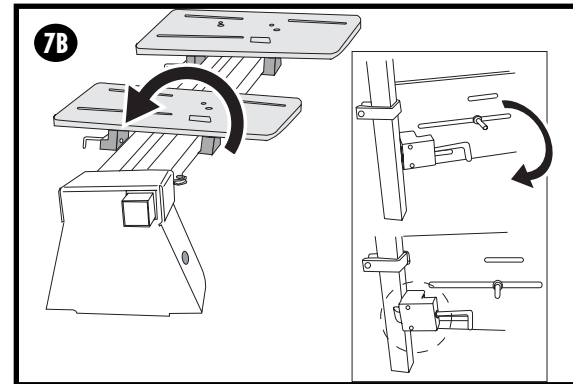
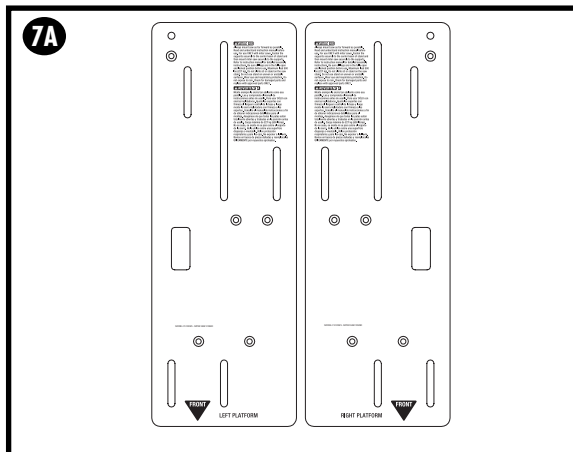


OPERATION

7. Attaching Platform Supports

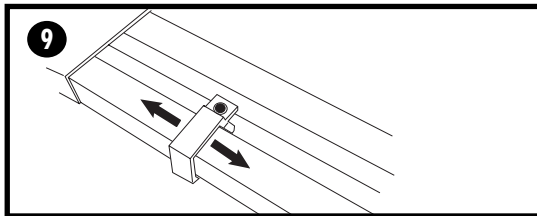
Locate the two platform supports on the main support rails as shown in **Fig 7A**. **NOTE!** The solid hook locator is placed under the front support rail. Rotate the platform back and down until the spring loaded latch snaps in place as shown in the underside view in the inset of **Fig. 7B**.

⚠ CAUTION: Make sure the supports are securely fastened to the stand before each use of your miter saw with this stand.

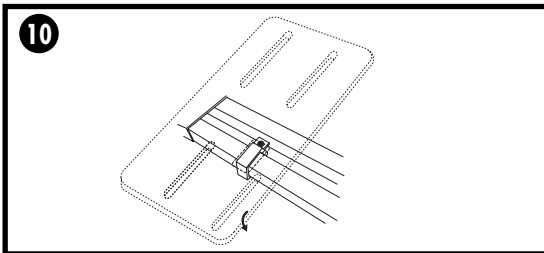


8. Locking Locator Clip (Fig 9)

The locking locator keeps the saw from sliding left or right during cutting operations. To move the clip, remove saw/mounting support assembly, loosen the screw in the end of the locator, slide it to the desired position and tighten the screw. The locator clip can be removed and re-attached to any of the center beams as required.



9. You can then remount the saw / mounting support in the new location taking care to align the rectangular hole in the mounting support with the locator clip. (Fig 10)



10. Miter Saw Mounting

⚠ CAUTION: NEVER ATTACH AND USE a miter saw with this stand if the miter saw is damaged in any way.

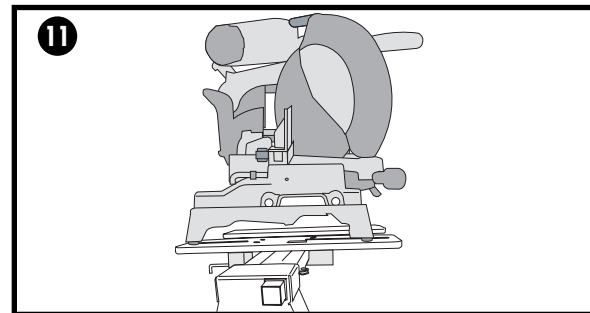
Note! Prior to assembling your saw to the Miter Saw Stand, unplug the saw, lock the saw head in the down position.

a. Place saw in operational position with blade facing you.

b. Place the saw down on the two laminated supports. (Fig 11)

Line the mounting holes up with the sets of holes that match your mounting hole arrangement.

(There are a number of different combinations available on the mounting supports.) **Note:** The saw supports are right and left handed. Be sure to assemble the right support to the right side of the saw and the left support to the left side of the saw.

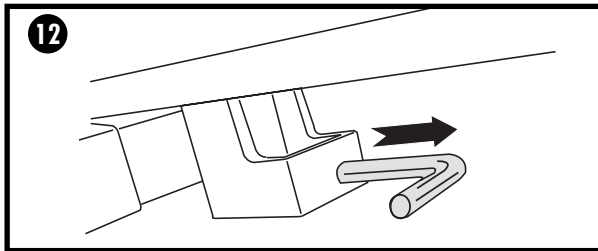


11. Feed a Phillips head bolt up through the mounting support and through the mounting hole in each of the 4 locations required for your saw. **Note:** An extra Phillips head bolt with a 55 mm length has been provided for use as the forward right bolt for certain miter saws where clearance with the table is needed.
12. Place a washer over the bolt and thread a nut onto the bolt to hold it in place.
13. Feed bolts through the other bracket and feet of the saw as before. Ensure both brackets are parallel to each other and locked into position on the center beam, then finger tighten all four nuts to hold the saw to the mounting supports. Position the saw front to back so the back face of the saw fence is even with the back edge of the rollers and length stop. Tighten all bolts and be sure the saw is securely held in place before use. Do not over tighten the bolts.

⚠CAUTION: Do not use your miter saw with this stand if it cannot be fastened securely to this stand. Refer to the service section of this manual for contact information. Always mount the miter saw as far forward as possible.

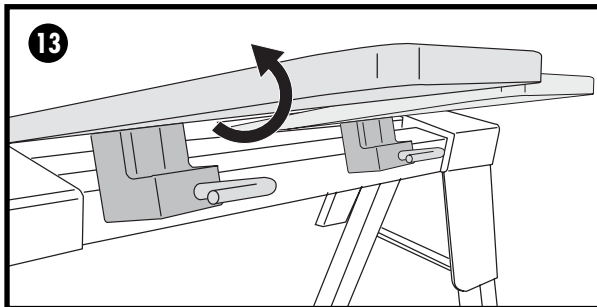
14. To remove the miter saw from the stand pull back on the locking levers beneath both mounting supports. (Fig 12)

Note! Prior to assembling your saw to the Miter Saw Stand, unplug the saw, lock the saw head in the down position.

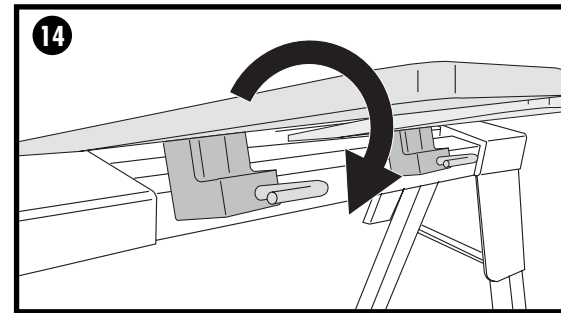


15. Rotate unit up as shown to clear the beam. (Fig 13)

⚠CAUTION: MITER SAWS CAN BE AWKWARD AND HEAVY. Be sure to have a firm grip and control of the Miter Saw and carefully remove it from the stand. If you need assistance get it.



16. To replace the saw onto the stand, grasp and lift the saw with the mounting supports attached onto the center beam as shown. Locate the front locks into the front of the beam as shown and then rotate as indicated until the lock clicks in place. (Fig 14)



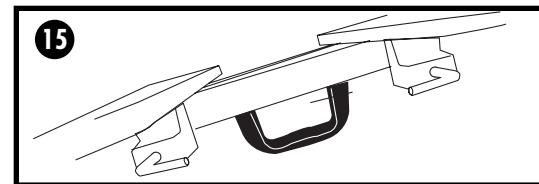
17. If adjustment of the saw is necessary, loosen the four bolts and adjust. Ensure that the saw is square with the brackets.

18. Tighten the four nuts holding the saw to the mounting supports securely.

19. Review and understand the operators instruction manual before using the unit.

Carry Handle (Fig 15)

A handle has been supplied to easily transport the Miter Saw Stand to and from the work area.



LUBRICATION

Apply household floor paste wax to the stand weekly.

MAINTENANCE

Use only mild soap and damp cloth to clean the tool. Never let any liquid get inside the tool; never immerse any part of the tool into a liquid. **IMPORTANT:** To assure product SAFETY and RELIABILITY, repairs, maintenance and adjustment should be performed by authorized service centers or other qualified service organizations, always using identical replacement parts.

ACCESSORIES

Recommended accessories for use with your tool are available from your local dealer or authorized service center. If you need assistance regarding accessories, please call: **1-800-544-6986**.

⚠ WARNING: The use of any accessory not recommended for use with this tool could be hazardous.

SERVICE INFORMATION

All Black & Decker Service Centers are staffed with trained personnel to provide customers with efficient and reliable power tool service. Whether you need technical advice, repair, or genuine factory replacement parts, contact the Black & Decker location nearest you. To find your local service location, refer to the yellow page directory under "Tools—Electric" or call: **1-800-544-6986** or visit **www.blackanddecker.com**

FULL TWO-YEAR HOME USE WARRANTY

Black & Decker (U.S.) Inc. warrants this product for two years against any defects in material or workmanship. The defective product will be replaced or repaired at no charge in either of two ways.

The first, which will result in exchanges only, is to return the product to the retailer from whom it was purchased (provided that the store is a participating retailer). Returns should be made within the time period of the retailer's policy for exchanges (usually 30 to 90 days

after the sale). Proof of purchase may be required. Please check with the retailer for their specific return policy regarding returns that are beyond the time set for exchanges.

The second option is to take or send the product (prepaid) to a Black & Decker owned or authorized Service Center for repair or replacement at our option. Proof of purchase may be required. Black & Decker owned and authorized Service Centers are listed under "Tools-Electric" in the yellow pages of the phone directory.

This warranty does not apply to accessories. This warranty gives you specific legal rights and you may have other rights which vary from state to state or province to province. Should you have any questions, contact the manager of your nearest Black & Decker Service Center. This product is not intended for commercial use.

FREE WARNING LABEL REPLACEMENT: If your warning labels become illegible or are missing, call **1-800-544-6986** for a free replacement.

Black & Decker (U.S.) Inc.,
701 E. Joppa Rd.
Towson, MD 21286 U.S.A.



See 'Tools-Electric'
– Yellow Pages –
for Service & Sales





SOCLE POUR SCIE À ONGLETS (Modèle BDWS100)

MODE D'EMPLOI

MERCI D'AVOIR CHOISI BLACK & DECKER !
VISITEZ www.BLACKANDDECKER.COM/NEWOWNER
POUR ENREGISTRER VOTRE NOUVEAU PRODUIT.

**AVANT DE RETOURNER CE PRODUIT POUR QUELQUE RAISON QUE CE SOIT,
COMPOSER LE**

1-800-544-6986

AVANT D'APPELER, AYEZ EN MAIN LE N° DE CATALOGUE ET LE CODE DE DATE. DANS LA PLUPART DES CAS, UN REPRÉSENTANT DE BLACK & DECKER PEUT
RÉSoudre LE PROBLEME PAR
TÉLÉPHONE. SI VOUS AVEZ UNE SUGGESTION OU UN COMMENTAIRE, APPELEZ-NOUS. VOS
IMPRESSIONS SONT CRUCIALES POUR BLACK & DECKER.

CONSERVER CE MANUEL POUR UN USAGE ULTÉRIEUR.

TABLE DES MATIÈRES

DIRECTIVES DE SÉCURITÉ IMPORTANTES11
LIGNES DIRECTRICES EN MATIÈRE DE SÉCURITÉ11
RÈGLES GÉNÉRALES DE SÉCURITÉ12
CONTENU DU CARTON13
PRÉPARATION13
ASSEMBLAGE13
FONCTIONNEMENT14
RÉPARATION16
GARANTIE16

DIRECTIVES DE SÉCURITÉ IMPORTANTES

⚠ AVERTISSEMENT : LIRE TOUTES LES DIRECTIVES AVANT D'UTILISER LE PRODUIT. NÉGLIGER DE SUIVRE TOUTES LES DIRECTIVES SUIVANTES PEUT ENTRAÎNER DES RISQUES DE CHOCS ÉLECTRIQUES, D'INCENDIE ET/OU DE BLESSURES GRAVES.

CONSERVER CES DIRECTIVES

LIGNES DIRECTRICES EN MATIÈRE DE SÉCURITÉ : DÉFINITIONS

Il est important de lire et de comprendre ce mode d'emploi. Les informations qu'il contient concernent VOTRE SÉCURITÉ et visent à ÉVITER TOUT PROBLÈME. Les symboles ci-dessous servent à aider à reconnaître cette information.

⚠ DANGER: indique une situation dangereuse imminente qui, si elle n'est pas évitée, entraînera la mort ou des blessures graves.

⚠ AVERTISSEMENT : indique une situation potentiellement dangereuse qui, si elle n'est pas évitée, pourrait entraîner la mort ou des blessures graves.

⚠ MISE EN GARDE : indique une situation potentiellement dangereuse qui, si elle n'est pas évitée, pourrait entraîner des blessures légères ou modérées.

MISE EN GARDE : utilisé sans le symbole d'alerte à la sécurité, indique une situation potentiellement dangereuse qui, si elle n'est pas évitée, pourrait entraîner des dommages matériels.n property damage.

RÈGLES GÉNÉRALES DE SÉCURITÉ



AVERTISSEMENT : LIRE TOUTES LES DIRECTIVES AVANT D'UTILISER LE PRODUIT. NÉGLIGER DE SUIVRE TOUTES LES DIRECTIVES SUIVANTES PEUT ENTRAINER DES RISQUES DE CHOCS ÉLECTRIQUES, D'INCENDIE ET/OU DE BLESSURES GRAVES.

DIRECTIVES DE SÉCURITÉ IMPORTANTES

- 1. TOUJOURS LIRE ET COMPRENDRE TOUTES** les directives du MODE D'EMPLOI fournies avec votre scie à onglets avant l'utilisation de ce socle avec votre scie à onglets.
- 2. GARDER PROPRE LA ZONE DE TRAVAIL.** Les zones et établis encombrés sont souvent des causes d'accidents. **ASSUREZ-VOUS** d'installer le socle dans une aire de travail libre d'obstacles pour une manipulation aisée des pièces que vous désirez utiliser avec le socle.
- 3. NE PAS UTILISER CET OUTIL DANS UN ENVIRONNEMENT DANGEREUX.** Ne pas utiliser ce socle ou votre scie à onglets dans des endroits humides ou mouillés et ne pas les exposer à la pluie. Garder la zone de travail bien éclairée.
- 4. NE PAS LAISSER LE SOCLE À L'EXTÉRIEUR.** Toujours entreposer le socle à l'intérieur après et entre chaque utilisation.
- 5. DÉBRANCHER SYSTÉMATIQUEMENT LE CORDON D'ALIMENTATION** de la scie à onglets avant de monter, de repositionner ou d'enlever la scie à onglets du socle.
- 6. DÉBRANCHER SYSTÉMATIQUEMENT LA SCIE À ONGLETS et RETIRER LES PIÈCES** avant de régler les bras extensibles et les butées pour la pièce.
- 7. NE JAMAIS MANIPULER LES POIGNÉES DE DÉGAGEMENT DU SOCLE** avec la scie à onglets devant vous. **TOUJOURS SE TENIR DERRIÈRE** la scie à onglets lors de la manipulation des poignées de dégagement des socles.
- 8. DÉBRANCHER SYSTÉMATIQUEMENT LA SCIE À ONGLETS ET LA RETIRER** du socle avant de déplacer ceux-ci à un nouvel emplacement de travail. **SOULEVER TOUJOURS LE SOCLE DU SOL** pour le déplacer à un nouvel emplacement, **NE JAMAIS** essayer de le faire glisser en position.
- 9. NE JAMAIS SE TENIR DEBOUT OU S'ASSEOIR SUR LE SOCLE.** Une blessure grave pourrait se produire en cas de basculement ou de démarrage accidentel de la scie à onglets en cours de fonctionnement.
- 10. AVANT LA COUPE SUR VOTRE PIÈCE DE TRAVAIL,** s'assurer que le socle est stable avant, au cours et après la coupe et que les deux pièces sont correctement supportées par la scie à onglets et le socle. N'effectuez **EN AUCUN CAS** de coupe sur une pièce qui sera instable ou provoquera une instabilité du socle après la découpe.
- 11. VÉRIFIER LES PIÈCES ENDOMMAGÉES. NE JAMAIS RATTACHER ET UTILISER** une scie à onglets avec ce socle si la scie est endommagée d'une façon ou d'une autre.
- 12. NE JAMAIS EFFECTUER DE RÉPARATIONS** à une pièce endommagée. **TOUJOURS RETOURNER LE SOCLE DE LA SCIE À ONGLETS** à un centre de réparation agréé pour toutes réparations à celui-ci.
- 13. TOUJOURS INSTALLER LE SOCLE DE LA SCIE À ONGLETS SUR UNE SURFACE DE TRAVAIL STABLE ET DE MISE À NIVEAU.** Il est dangereux d'utiliser le socle de la scie à onglets sur une surface instable et déséquilibrée.

14. **S'ASSURER QUE LES PATTES SONT SOLIDEMENT VERROUILLÉES** avant d'assembler toute scie à onglets sur le socle.
15. **UTILISER SEULEMENT** les fixations pour scie à onglets livrés avec le socle pour la fixer solidement. **L'UTILISATION** de toute autre méthode de fixation de la scie à onglets au socle N'est **PAS** recommandée et annulera la garantie du socle de scie à onglets.
16. **CE** socle pour scie à onglets est conçu **SPÉCIFIQUEMENT** pour une utilisation avec scies à onglets. Il est construit pour supporter une charge de 227 kg (500 lbs.) en toute sécurité. **NE PAS** surcharger ce socle. **NE PAS** modifier ce socle car toute modification pourrait réduire la capacité de support sécuritaire de ce socle.
17. **FIXER EN TOUTE SÉCURITÉ** votre scie à onglets avec les fixations du socle et s'assurer que celles-ci sont solidement fixées au socle avant chaque utilisation de votre scie à onglets avec ce socle.
18. **DÉBRANCHER SYSTÉMATIQUEMENT LA SCIE À ONGLETS** et enlever la scie à onglets du socle avant de plier celui-ci pour le rangement.

**CONSERVER CES DIRECTIVES.
Consultez-les souvent et utilisez-les
pour donner des directives
aux autres.**

CONTENU DU CARTON

L'EMBALLAGE DEVRAIT CONTENIR LES PIÈCES SUIVANTES :

- A – ENSEMBLE POUR SOCLE DE SCIE À ONGLETS
- B – 2 FIXATIONS POUR PLATEFORME
- C – JEU POUR ASSEMBLAGE FIXE
- D – JEU DU SOCLE DE ROULEMENT
- E – SAC D'OUTILS
- F – MODE D'EMPLOI

1. Préparation (figures 1 et 2)

Déposer le socle pour scie à onglets sur le sol avec les pattes vers le haut. Débloquer la tige de verrouillage et tirer sur chaque patte jusqu'à ce que la tige (A) s'enclenche dans le cran. Soulever le socle par la poutre centrale et le placer en position verticale. Le socle devrait être stable sans balancements. Vérifier l'enclenchement correct des tiges de verrouillage des pattes et si celles-ci sont solidement en position.

ASSEMBLAGE

OUTILS NÉCESSAIRES POUR L'ASSEMBLAGE (non compris) :

- clé ajustable ;
- tournevis cruciforme

DURÉE ESTIMÉE POUR L'ASSEMBLAGE : 15 minutes

⚠ MISE EN GARDE : S'ASSURER QUE LES PATTES SONT SOLIDEMENT VERROUILLÉES avant d'assembler toute scie à onglets sur le socle.

2. ASSEMBLAGE DE LA BUTÉE DE TRAVAIL ET DES ROULETTES

La fixation s'installe sur le bras extensible à l'aide de l'écrou de verrouillage et boulon de carrosserie fournis. **(figure 3)**
Desserrer les boutons au-dessus des pattes pour libérer les bras extensibles de chaque extrémité de la poutre principale de support. La butée de travail se fixe à l'extrémité de chaque bras extensible. **(figure 4)**

3. Desserrer la poignée de verrouillage pour régler la hauteur du socle puis lever ou abaisser la plaque supérieure pour l'aligner avec un bord droit ou pour mettre à niveau la table de la scie. Resserrez la poignée de verrouillage. (Fig. 3)
4. La butée (F) peut-être dévissée vers le haut pour s'utiliser comme butée ou pour tenir en place l'extrémité de pièces de travail très longues. (Fig. 5)
5. **Bras extensible de longueur réglable**
Pour allonger la surface d'appui, tourner la poignée de verrouillage en sens antihoraire pour libérer le bras extensible. Étendre le bras extensible à la longueur désirée. Tourner la poignée de verrouillage en sens horaire pour le bloquer.
6. Les bras extensibles sont interchangeables. Des loquets, situés sur la partie interne de la poutre principale, préviennent le dégagement accidentel des bras extensibles. Pour les retirer, tourner le loquet.

FONCTIONNEMENT

7. Assemblage des fixations de la plate-forme

Repérer les deux fixations de la plate-forme sur les principaux rails de support tel qu'illustré à la **figure 7A**.
REMARQUE : Le repère du crochet monobloc est situé sous le rail de support avant. Tourner la plate-forme vers l'arrière et le bas jusqu'à ce que le loquet à ressort s'enclenche en position, tel qu'illustré sur la vue de la face inférieure dans l'encart de la **figure 7B**.

⚠ MISE EN GARDE : S'assurer que les fixations sont solidement attachées au socle avant chaque utilisation de la scie à onglets avec ce socle.

8. Verrouillage de l'attache du repère (fig. 9)

Le repère de verrouillage empêche la scie de glisser vers la droite ou la gauche lors de la découpe. Pour déplacer l'attache, déposer l'ensemble scie/support de montage puis desserrer la vis à l'extrémité du repère et le faire glisser à la position voulue. Resserrez la vis. L'attache du repère peut être retirée et réattachée à l'une quelconque des poutres centrales suivant les besoins.

9. Vous pouvez maintenant remonter l'ensemble scie/support de montage au nouvel emplacement en prenant soin d'aligner le trou rectangulaire dans le support de montage avec l'attache du repère. (Fig. 10)
10. **Montage de la scie à onglets**
⚠ MISE EN GARDE : NE JAMAIS RATTACHER ET UTILISER une scie à onglets avec ce socle si la scie est endommagée d'une façon ou d'une autre.
Remarque : Avant d'assembler votre scie à onglets au socle, débrancher la scie puis verrouiller la tête de la scie en position basse.
 - a. Installer la scie en position de fonctionnement, la lame vous faisant face.
 - b. Déposer la scie sur les deux supports lamellés. (Figure 11) Aligner les trous de montage de la scie avec le jeu de trous qui correspond à la disposition des trous de montage. (Il existe un nombre de différentes combinaisons possibles sur les supports de montage.)
Remarque : les supports de la scie permettent une utilisation de la main droite ou gauche. Assurez-vous d'assembler le support droit sur le côté droit de la scie et le support gauche sur le côté gauche de la scie.
11. Insérer, vers le haut, un boulon à tête cruciforme à travers le support de montage aux quatre trous de montage de la scie.
Remarque : un boulon à tête cruciforme supplémentaire de 55 mm (2 1/8 po) est fourni pour la position avant, à droite, pour certaines scies à onglets lorsqu'un espace libre avec la table est requis.
12. Insérer une rondelle sur le boulon et visser un écrou sur le boulon pour le maintenir en position.
13. Insérer les boulons dans l'autre support et pattes de la scie comme précédemment. S'assurer que les deux supports sont parallèles l'un à l'autre et verrouillés en place sur la poutre centrale puis serrer à la main les quatre écrous pour fixer la scie aux supports de montage. Positionner la scie de l'avant vers l'arrière afin que le dos du guide de la scie soit au même niveau que le bord arrière des rouleaux et de la butée réglable.

Resserrer tous les boulons et s'assurer que la scie est solidement fixée avant son utilisation. Ne pas trop serrer les boulons.

⚠ **MISE EN GARDE : Ne pas utiliser votre scie à onglets avec ce socle si celle-ci n'est pas solidement fixée à ce socle. Consulter la section sur les réparations de ce mode d'emploi pour obtenir l'information à propos des moyens de communication. Toujours monter la scie à onglets aussi loin que possible vers l'avant.**

14. Pour déposer la scie à onglets du socle, tirer sur les leviers de blocage sous les deux supports de montage. (Fig. 12)

Remarque : Avant d'assembler votre scie à onglets au socle, débrancher la scie puis verrouiller la tête de la scie en position basse.

15. Tourner le module, tel qu'illustré, pour dégager la poutre. (Fig. 13)

⚠ **MISE EN GARDE : LES SCIES À ONGLETS SONT RELATIVEMENT LOURDES ET PEU MANIABLES. S'assurer d'avoir une bonne prise et de bien contrôler la scie à onglets, puis la retirer avec soin du socle. Si vous avez besoin d'assistance, n'hésitez pas à demander.**

16. Pour repositionner la scie sur le socle, saisir et soulever la scie avec les supports de montage fixés à la poutre centrale tel qu'illustré. Repérer les loquets avant à l'avant de la poutre, tel qu'illustré, puis tourner tel qu'indiqué jusqu'à ce que le loquet s'enclenche en position. (Fig. 14)
17. Si un réglage de la scie s'avère nécessaire, desserrer les quatre boulons et ajuster. S'assurer que la scie est d'équerre avec les supports.
18. Serrer solidement les quatre écrous qui fixent la scie aux supports de montage.
19. Passer en revue et comprendre les instructions du mode d'emploi pour opérateurs avant l'utilisation de cet outil.

Poignée de transport (Fig 15)

Une poignée de transport est fournie pour faciliter le transport du socle vers et hors de l'aire de travail.

GRAISSAGE

Appliquer chaque semaine une cire à parquet d'usage domestique sur le socle.

ENTRETIEN

Nettoyer l'outil au moyen d'un savon doux et d'un linge humide seulement. Ne jamais laisser de liquide s'infiltrer à l'intérieur de l'outil ni tremper ce dernier dans un liquide quelconque.

IMPORTANT : pour assurer la SÉCURITÉ et la FIABILITÉ de ce produit, toutes les opérations de réparation, d'entretien et de réglage (autres que celles décrites aux présentes) doivent être effectuées dans un centre de service autorisé ou par du personnel qualifié; on ne doit utiliser que des pièces de rechange identiques.

ACCESSOIRES

Les accessoires recommandés pour cet outil sont offerts au centre de service autorisé ou chez le dépositaire local; pour obtenir de plus amples renseignements sur ces accessoires, composer le 1 800 544-6986.

⚠ **AVERTISSEMENT :** il pourrait s'avérer dangereux d'utiliser des accessoires autres que ceux recommandés pour cet outil.

INFORMATION SUR LES RÉPARATIONS

Tous les centres de réparation Black & Decker sont dotés de personnel qualifié en matière d'outillage électrique; ils sont donc en mesure d'offrir à leur clientèle un service efficace et fiable. Que ce soit pour un avis technique, une réparation ou des pièces de rechange authentiques installées en usine, communiquer avec l'établissement Black & Decker le plus près de chez vous. Pour trouver l'établissement de réparation de votre région, consulter le répertoire des Pages jaunes à la rubrique « Outils électriques » ou composer le numéro suivant : **1-800-544-6986** ou consulter le site **www.blackanddecker.com**

GARANTIE COMPLETE DE DEUX ANS POUR UNE UTILISATION DOMESTIQUE

Black & Decker (É.-U.) Inc. garantit ce produit pour une durée de deux ans contre tout défaut de matériau ou de fabrication. Le produit défectueux sera remplacé ou réparé sans frais de l'une des deux façons suivantes :

La première façon consiste en un simple échange chez le détaillant qui l'a vendu (pourvu qu'il s'agisse d'un détaillant participant). Tout retour doit se faire durant la période correspondant à la politique d'échange du détaillant (habituellement, de 30 à 90 jours après l'achat). Une preuve d'achat peut être requise. Vérifier auprès du détaillant pour connaître sa politique concernant les retours hors de la période définie pour les échanges.

La deuxième option est d'apporter ou d'envoyer le produit (transport payé d'avance) à un centre de réparation autorisé ou à un centre de réparation de Black & Decker pour faire réparer ou échanger le produit, à notre discrétion. Une preuve d'achat peut être requise. Les centres Black & Decker et les centres de service autorisés sont répertoriés dans les pages jaunes, sous la rubrique « Outils électriques ».

Cette garantie ne s'applique pas aux accessoires. Cette garantie vous accorde des droits légaux spécifiques et vous pourriez avoir d'autres droits qui varient d'un État ou d'une province à l'autre. Pour toute question, communiquer avec le directeur du centre de réparation Black & Decker le plus près de chez vous. Ce produit n'est pas destiné à un usage commercial.

REMPACEMENT GRATUIT DES ÉTIQUETTES

D'AVERTISSEMENT : si les étiquettes d'avertissement deviennent illisibles ou sont manquantes, composer le **1-800-544-6986** pour en obtenir le remplacement gratuit.

Imported by / Importé par
Black & Decker Canada Inc.
100 Central Ave.
Brockville (Ontario) K6V 5W6

Voir la rubrique "Outils électriques"
des Pages Jaunes
pour le service et les ventes.





BASE DE SIERRA INGLETADORA (MODELO BDWS100)

MANUAL DE INSTRUCCIONES

¡GRACIAS POR ELEGIR BLACK & DECKER!
VAYA A WWW.BLACKANDDECKER.COM/NEWOWNER
PARA REGISTRAR SU NUEVO PRODUCTO.

**ANTES DE DEVOLVER ESTE PRODUCTO POR CUALQUIER MOTIVO, LLAME AL
(55)5326-7100**

ANTES DE LLAMAR, TENGA EL NUMERO DE CATALOGO Y EL CODIGO DE FECHA PREPARADOS. EN LA MAYORIA DE LOS CASOS, UN REPRESENTANTE DE BLACK & DECKER PUEDE RESOLVER EL PROBLEMA POR TELÉFONO. SI DESEA REALIZAR UNA SUGERENCIA O COMENTARIO, LLAMENOS. SU OPINION ES FUNDAMENTAL PARA BLACK & DECKER.

CONSERVE ESTE MANUAL PARA FUTURAS CONSULTAS.

ÍNDICE

INSTRUCCIONES IMPORTANTES SOBRE SEGURIDAD18
NORMAS DE SEGURIDAD18
NORMAS GENERALES DE SEGURIDAD19
CONTENIDO DE LA CAJA20
PREPARACIÓN20
MONTAJE20
OPERACIÓN21
MANTENIMIENTO22
GARANTÍA23
UBICACIONES DE LOS CENTROS DE MANTENIMIENTO24

INSTRUCCIONES IMPORTANTES SOBRE SEGURIDAD

⚠ ADVERTENCIA: LEA TODAS LAS INSTRUCCIONES ANTES DE OPERAR EL PRODUCTO. EL INCUMPLIMIENTO DE LAS INSTRUCCIONES ENUMERADAS A CONTINUACION PUEDE PROVOCAR UNA DESCARGA ELÉCTRICA, UN INCENDIO O LESIONES GRAVES.

CONSERVE ESTAS INSTRUCCIONES

NORMAS DE SEGURIDAD: DEFINICIONES

Es importante que lea y comprenda este manual. La información que contiene se relaciona con la protección de SU SEGURIDAD y la PREVENCIÓN DE PROBLEMAS. Los símbolos que siguen se utilizan para ayudarlo a reconocer esta información.

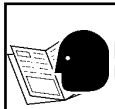
⚠ PELIGRO: Indica una situación de peligro inminente que, si no se evita, provocará la muerte o lesiones graves.

⚠ ADVERTENCIA: Indica una situación de peligro potencial que, si no se evita, provocará la muerte o lesiones graves.

⚠ PRECAUCIÓN: Indica una situación de peligro potencial que, si no se evita, puede provocar lesiones leves o moderadas.

PRECAUCIÓN: Utilizado sin el símbolo de alerta de seguridad indica una situación de peligro potencial que, si no se evita, puede provocar daños en la propiedad.

NORMAS GENERALES DE SEGURIDAD



ADVERTENCIA: LEA TODAS LAS INSTRUCCIONES ANTES DE OPERAR EL PRODUCTO. EL INCUMPLIMIENTO DE LAS INSTRUCCIONES ENUMERADAS A CONTINUACION PUEDE PROVOCAR UNA DESCARGA ELÉCTRICA, UN INCENDIO O LESIONES GRAVES.

INSTRUCCIONES IMPORTANTES SOBRE SEGURIDAD

- SIEMPRE LEA Y COMPRENDA TODAS las instrucciones provistas en el MANUAL DE INSTRUCCIONES incluido con la sierra ingletadora antes de utilizar la base para sierra ingletadora con la herramienta.**
- MANTENGA LIMPIA EL ÁREA DE TRABAJO.** Los espacios y los bancos de trabajo abarrotados propician accidentes. **ASEGÚRESE** de instalar la base en un área que permita la manipulación sin impedimentos de las piezas de trabajo a las que piensa brindarle apoyo con la base.
- NO UTILICE HERRAMIENTAS EN LUGARES PELIGROSOS.** No utilice esta base o la sierra ingletadora en lugares húmedos o mojados ni las exponga a la lluvia. Mantenga bien iluminada el área de trabajo.
- NO DEJE LA BASE A LA INTEMPERIE.** Siempre guarde la base en el interior después y entre cada uso.
- SIEMPRE DESENCHUFE EL CABLE DE ALIMENTACIÓN** de la sierra ingletadora antes de ensamblar la sierra ingletadora, volver a posicionarla y al quitarla de la base.
- SIEMPRE DESENCHUFE LA SIERRA INGLETADORA Y QUITE LAS PIEZAS DE TRABAJO** antes de realizar ajustes en los brazos de extensión y en los topes de las piezas de trabajo.
- NUNCA INTENTE OPERAR LOS MANGOS DE LIBERACIÓN DEL APOYO** al estar parado frente a la sierra ingletadora. **SIEMPRE COLOQUESE DETRÁS** de la sierra ingletadora para operar los mangos de liberación de los apoyos.
- SIEMPRE DESENCHUFE LA SIERRA INGLETADORA Y QUITE** la sierra ingletadora de la base antes de volver a colocar la base y la sierra ingletadora en la nueva ubicación para realizar el trabajo. **SIEMPRE LEVANTE LA BASE** para moverla a una nueva ubicación, **NUNCA** intente deslizar la base a una nueva ubicación.
- NUNCA SE PARE NI SE SIENTE SOBRE LA BASE.** Si la sierra ingletadora se cae o alguien la toca accidentalmente, podrían producirse lesiones graves.
- ANTES DE REALIZAR EL CORTE EN LA PIEZA DE TRABAJO,** asegúrese de que antes, durante y después de realizar el corte, la base esté estable y ambas piezas están apoyadas correctamente en la sierra ingletadora y en la base. **EN NINGUNA SITUACIÓN** realice un corte en una pieza de trabajo que quitaría estabilidad a la base o a la pieza de trabajo después de realizar el corte.
- VERIFIQUE QUE NO HAYA PIEZAS DAÑADAS. NUNCA CONECTE NI UTILICE** una sierra ingletadora con esta base si ésta está dañada de alguna forma.
- NUNCA INTENTE REALIZAR REPARACIONES** a una pieza dañada. **SIEMPRE DEVUELVA LA BASE DE LA SIERRA INGLETADORA** a un centro de mantenimiento autorizado para que realicen las reparaciones.

13. **SIEMPRE INSTALE LA BASE PARA LA SIERRA INGLETADORA EN UNA SUPERFICIE UNIFORME Y ESTABLE.** Utilizar cualquier base para sierra ingletadora instalada en una superficie dispereja o inestable podría ocasionar riesgos.
14. **VERIFIQUE Y TRABE DE UN MODO SEGURO LAS PATAS** antes de ensamblar cualquier sierra ingletadora a la base.
15. **UTILICE SOLAMENTE** los soportes de la sierra ingletadora incluidos con la base para fijar cualquier sierra ingletadora a la base. **El USO** de cualquier otro medio de fijación para una sierra ingletadora a la base **NO** está recomendado y anulará la garantía de la base para la sierra ingletadora.
16. **ESTA** base para sierra ingletadora está diseñada como apoyo a sierras ingletadoras **SOLAMENTE**. Está diseñada para soportar 226,796 kg (500 libras) en forma segura. **NO** sobrecargue la base. **NO** realice ninguna modificación a esta base dado que puede reducir la carga que la base pueda soportar en forma segura.
17. **FIJE EN FORMA SEGURA** la sierra ingletadora a los soportes de la base y asegúrese de que éstos están bien fijos a la base antes de utilizar la sierra con ella.
18. **SIEMPRE DESENCHUFE LA SIERRA INGLETADORA** y quítela de la base antes de plegar la base para guardarla.

**CONSERVE ESTAS INSTRUCCIONES.
Consúltelas con frecuencia y utilícelas
para brindar instrucciones a los demás.**

CONTENIDO DE LA CAJA

EL PAQUETE DEBE INCLUIR LAS SIGUIENTES PIEZAS:

- A - ENSAMBLE PARA SIERRA INGLETADORA
- B - 2 SOPORTES PARA PLATAFORMA
- C - ENSAMBLE DE SOPORTES FIJOS
- D - ENSAMBLE DE SOPORTES GIRATORIOS
- E - BOLSA PARA EL EQUIPO
- F - MANUAL DE INSTRUCCIONES

1. Preparación (Figuras 1 y 2)

Coloque la base de sierra ingletadora en el piso con las patas hacia arriba. Presione la clavija de bloqueo y empuje cada pata hacia arriba hasta que la clavija de bloqueo (A) emita un chasquido y se ajuste en el retén. Levante la base sujetándola del rayo del centro y colóquela en posición vertical. La base debe estar estable y no debe mecerse. Verifique las patas para asegurarse de que las clavijas de bloqueo estén trabadas y que las patas estén firmemente sujetadas en su lugar.

MONTAJE

HERRAMIENTAS NECESARIAS PARA EL MONTAJE (NO INCLUIDAS):

- Llave ajustable
- Destornillador Phillips

TIEMPO APROXIMADO DE ENSAMBLAJE: 15 minutos

⚠ PRECAUCIÓN: VERIFIQUE LA UNIDAD PARA ASEGURARSE DE QUE LAS PATAS ESTÉN FIRMEMENTE TRABADAS antes de ensamblar una sierra ingletadora a la base.

2. ENSAMBLE DEL TOPE DE TRABAJO Y EL SOPORTE GIRATORIO

El soporte debe anexarse al brazo de extensión utilizando la tuerca de seguridad y el perno de soporte proporcionados. **(Fig. 3)** Suelte las perillas encima de las patas para permitir que los brazos de extensión puedan retirarse de cada extremo del

rayo de soporte principal. El tope de trabajo se puede instalar en el extremo de los brazos de extensión. (Fig. 4)

3. Ajuste la altura del soporte desajustando la perilla de bloqueo y levante o baje la superficie superior para alinearla con un borde recto o nivelarla a la mesa de la sierra. Ajuste la perilla de bloqueo. (Fig. 3)
4. El tope longitudinal (F) puede girarse para utilizarlo como tope longitudinal o para sujetar el extremo de piezas de trabajo largas. (Fig. 5)
5. **Brazo de extensión con prolongación ajustable**
Para prolongar la superficie de apoyo, gire la Perilla de bloqueo en el sentido contrario a las agujas del reloj para liberar el brazo de extensión. Prolongue el brazo de extensión la distancia deseada. Gire la perilla en el sentido de las agujas del reloj para bloquearlo.
6. Los brazos de extensión son intercambiables, se incluyen topes para los brazos de extensión en el interior del rayo principal para evitar el retiro accidental de los brazos de extensión. Para retirar los brazos de extensión, gire el tope para permitir su retiro.

OPERACIÓN

7. Ensamble de los soportes de plataforma

Coloque los dos soportes de plataforma en los rieles del soporte principal como se muestra en la Fig. 7A.

¡IMPORTANTE! El localizador de ganchos sólidos se encuentra en el riel de soporte delantero. Gire la plataforma hacia atrás y abajo hasta que el cerrojo a resorte se ajuste en su lugar como se muestra en la vista de la parte interna del recuadro de la fig. 7B.

⚠ PRECAUCIÓN: Asegúrese de que los soportes están firmes en la base antes de utilizar la sierra con la base.

8. Pinza del localizador de bloqueo (Fig. 9)

El localizador de bloqueo evita que la sierra se deslice hacia la izquierda o derecha durante las operaciones de corte. Para mover la pinza, retire el ensamblaje de soporte de montaje/sierra, suelte el tornillo en el extremo del localizador, deslícelo a la posición deseada y ajústelo. La pinza del localizador puede quitarse y volver a conectarse a cualquiera de los rayos centrales según sea necesario.

9. Puede luego volver a montar el soporte de montaje/sierra en la nueva ubicación teniendo cuidado de alinear el orificio rectangular en el soporte de montaje con la pinza del localizador. (Fig. 10)

10. Montaje de la sierra ingletadora

⚠ PRECAUCIÓN: NUNCA ANEXE NI UTILICE una sierra ingletadora con esta base si la herramienta está dañada de alguna forma.

¡Importante! Antes de ensamblar la sierra a la base para la sierra ingletadora, desenchúfela y bloquee el cabezal de la sierra en la posición hacia abajo.

- a. Coloque la sierra en la posición de operación con la hoja mirándolo a usted.
 - b. Coloque la sierra hacia abajo en los dos soportes laminados. (Fig. 11) Alinee los orificios de montaje con los conjuntos de orificios coincidentes. (Hay varias combinaciones diferentes en los soportes de montaje).
Nota: Los soportes de la sierra están a la derecha y a la izquierda. Asegúrese de ensamblar el soporte de la derecha en el lado derecho de la sierra y el soporte de la izquierda en el lado izquierdo de la sierra.
11. Inserte un perno de cabeza Phillips a través del soporte de montaje y a través del orificio de montaje en cada una de las 4 ubicaciones necesarias para la sierra.
Nota: Se incluye un perno de cabeza Phillips adicional de 55 mm de longitud para su uso como el perno derecho para determinadas sierras ingletadoras en las que se necesita espacio en la mesa.

12. Coloque una arandela sobre el perno y ajuste una tuerca en el

- perno para sostenerla en su lugar.
- Coloque pernos a través de los demás soportes y pies de la sierra de la misma forma que lo hizo anteriormente. Asegúrese de que ambos soportes estén en paralelo entre sí y bloqueados en su lugar en el rayo del centro. A continuación, ajuste las cuatro tuercas en forma manual para sujetar la sierra en los soportes de montaje. Coloque el frente de la sierra hacia abajo de modo que la parte posterior de la guía de la sierra esté alineada con el borde posterior de los topes giratorios y longitudinales. Ajuste todos los pernos y asegúrese de que la sierra esté bien sujeta en su lugar antes de utilizarla. No ajuste en exceso los pernos.
- ⚠ PRECAUCIÓN: No utilice la sierra ingletadora con esta base si no puede fijarla en forma segura a la base. Consulte la sección de mantenimiento de este manual para obtener la información de contacto. Siempre monte la sierra lo más hacia adelante posible.**
- Para retirar la sierra ingletadora de la base, empuje hacia atrás las palancas de bloqueo debajo de ambos soportes de montaje. **(Fig. 12)**
¡Importante! Antes de ensamblar la sierra a la base para la sierra ingletadora, desenchúfela y bloquee el cabezal de la sierra en la posición hacia abajo.
 - Gire la unidad hacia arriba como se muestra para limpiar el rayo. **(Fig. 13)**
- ⚠ PRECAUCIÓN: LAS SIERRAS INGLETADORAS PUEDEN SER COMPLICADAS Y PESADAS. Asegúrese de sujetarla bien, controlarla y quitarla cuidadosamente de la base. Si necesita ayuda, pídale.**
- Para volver a colocar la sierra en la base, sujete y levante la sierra con los soportes de montaje ensamblados en el rayo del centro como se muestra. Ubique los bloqueos frontales en la parte frontal del rayo como se muestra y gire como se indica hasta que el bloqueo emita un chasquido y se ajuste en su lugar. **(Fig. 14)**
- Si necesita ajustar la sierra, suelte los cuatro pernos y realice

- los ajustes. Asegúrese de que la sierra esté en posición recta con los soportes.
- Ajuste las cuatro tuercas sujetando la sierra a los soportes de montaje en forma segura.
 - Revise y comprenda el manual de instrucciones para operadores antes de utilizar la unidad.

Mango para trasladar (Fig 15)

Se incluye un mango para transportar fácilmente la Base de la sierra ingletadora a y desde al área de trabajo.

LUBRICACIÓN

Aplique cera en pasta utilizadas para los pisos del hogar a la base una vez por semana.

MANTENIMIENTO

Utilice únicamente jabón suave y un trapo húmedo para limpiar la herramienta. Nunca permita que se introduzcan líquidos en la herramienta; nunca sumerja ninguna parte de la herramienta en ningún líquido. **IMPORTANTE:** Para garantizar la SEGURIDAD y la CONFIABILIDAD del producto, las reparaciones, el mantenimiento y los ajustes deberán efectuarse en centros de servicio autorizado u otras organizaciones de servicio calificado, que utilicen siempre refacciones idénticas.

ACCESORIOS

Los accesorios recomendados para emplearse con su herramienta, están a su disposición con el distribuidor o centro de servicio autorizado de su localidad. Si necesita ayuda en relación con los accesorios, por favor llame: **(55)5326-7100**

⚠ ADVERTENCIA: El uso de cualquier accesorio no recomendado para emplearse con esta herramienta puede ser peligroso.

INFORMACION DE MANTENIMIENTO

Todos los Centros de mantenimiento de Black & Decker cuentan con personal altamente capacitado dispuesto a brindar a todos los clientes un servicio eficiente y confiable en la reparación de herramientas eléctricas. Si necesita consejo técnico, reparaciones o piezas de repuesto originales de fábrica, póngase en contacto con el centro de mantenimiento de Black & Decker más cercano a su domicilio. Para ubicar su centro de servicio local, consulte la sección "Herramientas eléctricas" (Tools-Electric) de las páginas amarillas, llame al **(55)5326-7100** o visite nuestro sitio **www.blackanddecker.com**.

GARANTIA COMPLETA DE DOS AÑOS PARA USO EN EL HOGAR

Black & Decker (Estados Unidos) Inc. ofrece una garantía de dos años por cualquier defecto del material o de fabricación de este producto. El producto defectuoso se reparará o reemplazará sin costo alguno de dos maneras.

La primera opción, el reemplazo, es devolver el producto al comercio donde se lo adquirió (siempre y cuando se trate de un comercio participante). Las devoluciones deben realizarse conforme a la política de devolución del comercio (generalmente, entre 30 y 90 días posteriores a la venta). Le pueden solicitar comprobante de compra. Consulte en el comercio acerca de la política especial sobre devoluciones una vez excedido el plazo establecido.

La segunda opción es llevar o enviar el producto (con flete pago) a un Centro de mantenimiento propio o autorizado de Black & Decker para su reparación o reemplazo según nuestro criterio. Le pueden solicitar el comprobante de compra. Los Centros de mantenimiento autorizados y de propiedad de Black & Decker se detallan en la sección

"Herramientas eléctricas" (Tools-Electric) de las páginas amarillas de la guía telefónica.

Esta garantía no se extiende a los accesorios. Esta garantía le concede derechos legales específicos; usted puede tener otros derechos que pueden variar según el estado o la provincia. Si tiene alguna pregunta, comuníquese con el gerente del Centro de

mantenimiento de Black & Decker de su zona. Este producto no está diseñado para uso comercial.

REEMPLAZO GRATUITO DE LAS ETIQUETAS DE

ADVERTENCIAS: si sus etiquetas de advertencia se tornan ilegibles o faltan, llame al **(55)5326-7100** para que se le reemplacen gratuitamente.

Para reparación y servicio de sus herramientas eléctricas, favor de dirigirse al Centro de Servicio más cercano:

CULIACAN, SIN

Av. Nicolás Bravo #1063 Sur
(667) 7 12 42 11
Col. Industrial Bravo

GUADALAJARA, JAL

Av. La Paz #1779
(33) 3825 6978
Col. Americana Sector Juarez

MEXICO, D.F.

Eje Central Lázaro Cardenas
No. 18
(55) 5588 9377
Local D, Col. Obrera

MERIDA, YUC

Calle 63 #459-A
(999) 928 5038
Col. Centro

MONTERREY, N.L.

Av. Francisco I. Madero
No.831
(81) 8375 2313
Col. Centro

PUEBLA, PUE

17 Norte #205
(222) 246 3714
Col. Centro

QUERETARO, QRO

Av. Madero 139 Pte.
(442) 214 1660
Col. Centro

SAN LUIS POTOSI, SLP

Av. Universidad 1525
(444) 814 2383
Col. San Luis

TORREON, COAH

Blvd. Independencia, 96 Pte.
(871) 716 5265
Col. Centro

VERACRUZ, VER

Prolongación Díaz Mirón #4280
(229)921 7016
Col. Remes

VILLAHERMOSA, TAB

Constitución 516-A
(993) 312 5111
Col. Centro

PARA OTRAS LOCALIDADES LLAME AL: (55) 5326 7100

**Vea "Herramientas
eléctricas (Tools-Electric)"
- Páginas amarillas -
para Servicio y ventas**



BLACK & DECKER S.A. DE C.V.
BOSQUES DE CIDROS ACCESO RADIATAS NO. 42
COL. BOSQUES DE LAS LOMAS.
05120 MÉXICO, D.F.
TEL. 55-5326-7100

Cat. No. BDWS100

Copyright © 2007 Black & Decker

Form No. 90528123

Printed in China

(OCT. '07)

Free Manuals Download Website

<http://myh66.com>

<http://usermanuals.us>

<http://www.somanuals.com>

<http://www.4manuals.cc>

<http://www.manual-lib.com>

<http://www.404manual.com>

<http://www.luxmanual.com>

<http://aubethermostatmanual.com>

Golf course search by state

<http://golfingnear.com>

Email search by domain

<http://emailbydomain.com>

Auto manuals search

<http://auto.somanuals.com>

TV manuals search

<http://tv.somanuals.com>