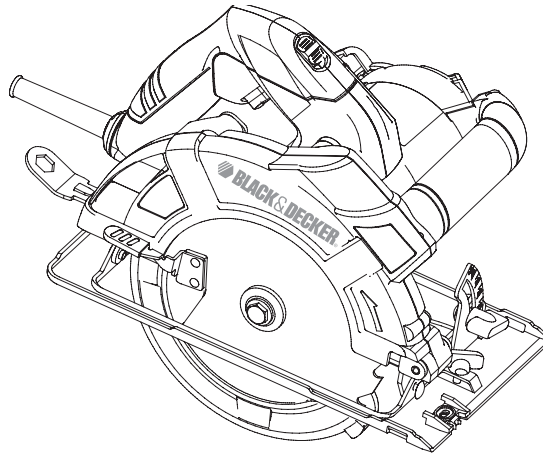




7-1/4" (185mm) Circular Saws

INSTRUCTION MANUAL

Catalog Numbers
CS1030L / CS1040L



THANK YOU FOR CHOOSING BLACK & DECKER!
GO TO WWW.BLACKANDDECKER.COM/NEWOWNER
TO REGISTER YOUR NEW PRODUCT.

**BEFORE RETURNING THIS PRODUCT
FOR ANY REASON PLEASE CALL
1-800-544-6986**

BEFORE YOU CALL, HAVE THE CATALOG No. AND DATE AVAILABLE. IN MOST CASES, A
BLACK & DECKER REPRESENTATIVE CAN RESOLVE THE PROBLEM OVER THE PHONE. IF YOU HAVE A
SUGGESTION OR COMMENT, GIVE US A CALL. YOUR FEEDBACK IS VITAL TO BLACK & DECKER.

SAVE THIS MANUAL FOR FUTURE REFERENCE.

VEA EL ESPAÑOL EN LA CONTRAPORTADA.

INSTRUCTIVO DE OPERACIÓN, CENTROS DE SERVICIO
Y PÓLIZA DE GARANTÍA. **ADVERTENCIA:** LEÁSE ESTE
INSTRUCTIVO ANTES DE USAR EL PRODUCTO.

GENERAL SAFETY RULES


⚠WARNING: Read and understand all instructions. Failure to follow all instructions listed below, may result in electric shock, fire and/or serious personal injury.

SAVE THESE INSTRUCTIONS

Work Area

- **Keep your work area clean and well lit.** Cluttered benches and dark areas invite accidents.
- **Do not operate power tools in explosive atmospheres, such as in the presence of flammable liquids, gases, or dust.** Power tools create sparks which may ignite the dust or fumes.
- **Keep bystanders, children, and visitors away while operating a power tool.** Distractions can cause you to lose control.

Electrical Safety

- **Double insulated tools are equipped with a polarized plug (one blade is wider than the other.) This plug will fit in a polarized outlet only one way. If the plug does not fit fully in the outlet, reverse the plug. If it still does not fit, contact a qualified electrician to install a polarized outlet. Do not change the plug in any way.** Double insulation  eliminates the need for the three wire grounded power cord and grounded power supply system.
- **Avoid body contact with grounded surfaces such as pipes, radiators, ranges and refrigerators.** There is an increased risk of electric shock if your body is grounded.
- **Don't expose power tools to rain or wet conditions.** Water entering a power tool will increase the risk of electric shock.
- **Do not abuse the cord. Never use the cord to carry the tools or pull the plug from an outlet. Keep cord away from heat, oil, sharp edges or moving parts. Replace damaged cords immediately.** Damaged cords increase the risk of electric shock.
- **When operating a power tool**

outside, use an outdoor extension cord marked "W-A" or "W." These cords are rated for outdoor use and reduce the risk of electric shock.

Minimum Gage for Cord Sets

Volts	Total Length of Cord in Feet				
	0-25	26-50	51-100	101-150	151-300
120V	18	16	14	12	10
240V	18	16	14	12	10

Ampere Rating		AWG	
More Than	Not more Than		
0 - 6	18	16	14
6 - 10	18	16	12
10 - 12	16	16	12
12 - 16	14	12	Not Recommended

Personal Safety

- **Stay alert, watch what you are doing and use common sense when operating a power tool. Do not use tool while tired or under the influence of drugs, alcohol, or medication.** A moment of inattention while operating power tools may result in serious personal injury.
- **Dress properly. Do not wear loose clothing or jewelry. Contain long hair. Keep your hair, clothing, and gloves away from moving parts.** Loose clothes, jewelry, or long hair can be caught in moving parts. Air vents cover moving parts and should be avoided.
- **Avoid accidental starting. Be sure switch is off before plugging in.** Carrying tools with your finger on the switch or plugging in tools that have the switch on invites accidents.
- **Remove adjusting keys or wrenches before turning the tool on.** A wrench or a key that is left attached to a rotating part of the tool may result in personal injury.
- **Do not overreach. Keep proper footing and balance at all times.** Proper footing and balance enables better control of the tool in unexpected situations.
- **Use safety equipment. Always wear eye protection.** Dust mask, non-skid safety shoes, hard hat, or hearing protection must be used for appropriate conditions.

Tool Use and Care

- **Use clamps or other practical way to secure and support the workpiece**

to a stable platform. Holding the work by hand or against your body is unstable and may lead to loss of control.

- **Do not force tool. Use the correct tool for your application.** The correct tool will do the job better and safer at the rate for which it is designed.
- **Do not use tool if switch does not turn it on or off.** Any tool that cannot be controlled with the switch is dangerous and must be repaired.
- **Disconnect the plug from the power source before making any adjustments, changing accessories, or storing the tool.** Such preventative safety measures reduce the risk of starting the tool accidentally.
- **Store idle tools out of reach of children and other untrained persons.** Tools are dangerous in the hands of untrained users.
- **Maintain tools with care. Keep cutting tools sharp and clean.** Properly maintained tools, with sharp cutting edges are less likely to bind and are easier to control.
- **Check for misalignment or binding of moving parts, breakage of parts, and any other condition that may affect the tools operation. If damaged, have the tool serviced before using.** Many accidents are caused by poorly maintained tools.
- **Use only accessories that are recommended by the manufacturer for your model.** Accessories that may be suitable for one tool, may become hazardous when used on another tool.

Service

- **Tool service must be performed only by qualified repair personnel.** Service or maintenance performed by unqualified personnel could result in a risk of injury.
- **When servicing a tool, use only identical replacement parts. Follow instructions in the Maintenance section of this manual.** Use of unauthorized parts or failure to follow Maintenance Instructions may create a risk of electric shock or injury.

SPECIFIC SAFETY RULES

⚠ DANGER! Keep hands away from cutting area and blade. Keep your

second hand on auxiliary handle, or motor housing. If both hands are holding the saw, they cannot be cut by the blade.

- **Keep your body positioned to either side of the saw blade, but not in line with the saw blade.** KICKBACK could cause the saw to jump backwards. (See "Causes and Operator Prevention of Kickback.")
- **Do not reach underneath the work.** The guard can not protect you from the blade below the work.
- **Check lower guard for proper closing before each use. Do not operate saw if lower guard does not move freely and close instantly. Never clamp or tie the lower guard into the open position.** If saw is accidentally dropped, the lower guard may be bent. Raise the lower guard with the Retracting Lever and make sure it moves freely and does not touch the blade or any other part, at all angles and depth of cut.
- **Check the operation and condition of the lower guard spring. If the guard and the spring are not operating properly, they must be serviced before use.** Lower guard may operate sluggishly due to damaged parts, gummy deposits, or a buildup of debris.
- **Lower guard should be retracted manually only for special cuts such as "Pocket Cuts" and "Compound Cuts."** Raise lower guard by Retracting Lever. **As soon as blade enters the material, lower guard must be released.** For all other sawing, the lower guard should operate automatically.
- **Always observe that the lower guard is covering the blade before placing saw down on bench or floor.** An unprotected, coasting blade will cause the saw to walk backwards, cutting whatever is in its path. Be aware of the time it takes for the blade to stop after switch is released.
- **NEVER hold piece being cut in your hands or across your leg.** It is important to support the work properly to minimize body exposure, blade binding, or loss of control.
- **Hold tool by insulated gripping surfaces when performing an operation where the cutting tool may**

contact hidden wiring or its own cord. Contact with a “live” wire will also make exposed metal parts of the tool “live” and shock the operator.

- **When ripping, always use a rip fence or straight edge guide.** This improves the accuracy of cut and reduces the chance for blade binding.
- **Always use blades with correct size and shape (diamond vs. round) arbor holes.** Blades that do not match the mounting hardware of the saw will run eccentrically, causing loss of control.
- **Never use damaged or incorrect blade washers or bolts.** The blade washers and bolt were specially designed for your saw, for optimum performance and safety of operation.

CAUSES AND OPERATOR PREVENTION OF KICKBACK:

- Kickback is a sudden reaction to a pinched, bound or misaligned saw blade, causing an uncontrolled saw to lift up and out of the workpiece toward the operator.
- When the blade is pinched or bound tightly by the kerf closing down, the blade stalls and the motor reaction drives the unit rapidly back toward the operator.
- If the blade becomes twisted or misaligned in the cut, the teeth at the back edge of the blade can dig into the top surface of the wood causing the blade to climb out of the kerf and jump back toward operator.
- Kickback is the result of tool misuse and/or incorrect operating procedures or conditions and can be avoided by taking proper precautions as given below.
 - a. **Maintain a firm grip with both hands on the saw and position your body and arm to allow you to resist KICKBACK forces.** Kickback forces can be controlled by the operator, if proper precautions are taken.
 - b. **When blade is binding, or when interrupting a cut for any reason, release the trigger and hold the saw motionless in the material until the blade comes to a**

complete stop. Never attempt to remove the saw from the work or pull the saw backward while the blade is in motion or KICKBACK may occur. Investigate and take corrective actions to eliminate the cause of blade binding.

- c. **When restarting a saw in the workpiece, center the saw blade in the kerf and check that the saw teeth are not engaged into the material.** If saw blade is binding, it may walk up or KICKBACK from the workpiece as the saw is restarted.
- d. **Support large panels to minimize the risk of blade pinching and KICKBACK.** Large panels tend to sag under their own weight. Support must be placed under the panel on both sides, near the line of cut and near the edge of the panel.
- e. **Do not use dull or damaged blade.** Unsharpened or improperly set blades produce narrow kerf causing excessive friction, blade binding, and KICKBACK.
- f. **Blade depth and bevel adjusting locking levers must be tight and secure before making cut.** If blade adjustment shifts while cutting, it may cause binding and KICKBACK.
- g. **Use extra caution when making a “Pocket Cut” into existing walls or other blind areas.** The protruding blade may cut objects that can cause KICKBACK.

SAVE THESE INSTRUCTIONS

ADDITIONAL SAFETY RULES: CIRCULAR SAWS

⚠WARNING: Some dust created by power sanding, sawing, grinding, drilling, and other construction activities contains chemicals known to cause cancer, birth defects or other reproductive harm. Some examples of these chemicals are:

- lead from lead-based paints,
- crystalline silica from bricks and cement and other masonry products,
- arsenic and chromium from chemically-treated lumber (CCA).

Your risk from these exposures varies, depending on how often you do this type

of work. To reduce your exposure to these chemicals: work in a well ventilated area, and work with approved safety equipment, such as those dust masks that are specially designed to filter out microscopic particles.

- **Avoid prolonged contact with dust from power sanding, sawing, grinding, drilling, and other construction activities. Wear protective clothing and wash exposed areas with soap and water.** Allowing dust to get into your mouth, eyes, or lay on the skin may promote absorption of harmful chemicals.

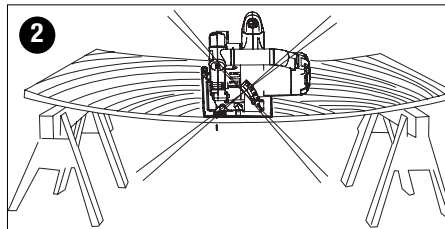
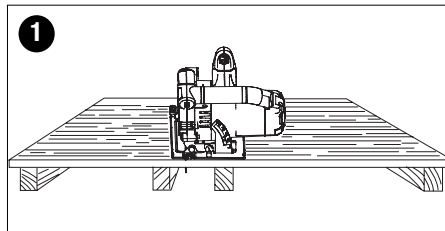
⚠ **WARNING:** Use of this tool can generate and/or disburse dust, which may cause serious and permanent respiratory or other injury. Always use NIOSH/OSHA approved respiratory protection appropriate for the dust exposure. Direct particles away from face and body.

⚠ **CAUTION:** Wear appropriate hearing protection during use. Under some conditions and duration of use, noise from this product may contribute to hearing loss.

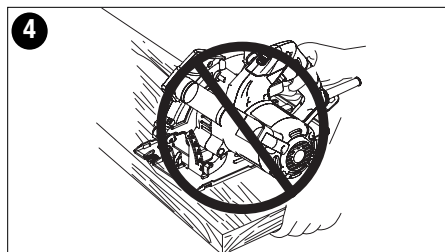
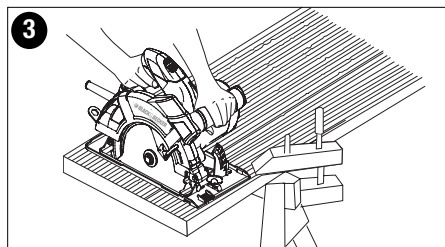
- **Snagging the lower guard on a surface below the material being cut can momentarily reduce operator control.** The saw can lift partially out of the cut increasing the chance of blade twist. Ensure there is sufficient clearance under the workpiece.
- **When necessary to raise lower guard manually, use the retracting lever.**
- **KEEP THE BLADES CLEAN AND SHARP.** Sharp blades minimize stalling and kickback. The use of dull and/or dirty blades can increase the saw loading causing the operator to push harder which promotes twisting.

⚠ **DANGER: LACERATION HAZARD. KEEP HANDS AWAY FROM CUTTING AREA.** Keep hands away from blades. Never place hands in front of or behind the path of the blade while cutting. Do not reach underneath work while blade is rotating. Do not attempt to remove cut material when blade is moving.

- **SUPPORT LARGE PANELS.** Large panels must be supported as shown (figure 1) in this manual to minimize the risk of blade pinching and kickback. Material supported only at the ends (figure 2) will lead to blade pinching. When cutting operation requires the resting of the saw on the workpiece, the saw shall be rested on the larger portion and the smaller piece cut off.



- **USE ONLY CORRECT BLADES AND BLADE ASSEMBLY COMPONENTS WHEN MOUNTING BLADES.** Do not use blades with incorrect size holes. Never use defective or incorrect blade washers or bolts. Follow blade assembly procedures.
- **ADJUSTMENTS.** Before cutting be sure depth and bevel adjustments are tight.
- **SUPPORT AND SECURE THE WORK PROPERLY.** Insure that the material to be cut is clamped (figure 3) and solidly supported and balanced on a strong, stable and level work surface. Support the work so that the wide portion of the saw shoe is on the portion of the material that doesn't fall after the cut is made. Never hold cut off piece by hand (figure 4). KICKBACK from blade pinch can result. Keep both hands on saw at all times.



- **STAY ALERT AND EXERCISE CONTROL.** Keep body positioned on one side of blade. Always maintain a firm grip and control of saw with both hands. Do not change hand grip or body position while saw is running. Take precaution to avoid injury from cut off pieces and other falling material during operation.

⚠ DANGER: RELEASE SWITCH IMMEDIATELY IF BLADE BINDS OR SAW STALLS

GUARD AGAINST KICKBACK

- **KICKBACK CAN BE CAUSED BY** the saw blade becoming pinched, twisted or bound while cutting, or when the saw stalls. When the blade becomes twisted or misaligned in the cut, the teeth at the back edge of the blade can dig into the top surface of the wood causing the blade to climb out of the cut and move suddenly back toward the operator.

TO REDUCE THE RISK OF KICKBACK

- Keep a firm grip on saw with both hands at all times.
- Stay alert – exercise control.
- Support long overhanging materials. As the material is cut and weakens, it will sag, causing a pinched blade.
- Support large panels as shown (**Fig. 1**). Material supported only at the ends (**Fig. 2**) will lead to blade pinching.
- Avoid sawing overhead. Material can sag and will pinch blade.
- Keep blades sharp and clean.
- Use fence or straight edge guide when ripping. Be careful as the cut off strip can sag or twist, closing the cut and pinching the blade, leading to KICKBACK.
- Don't force tool. Wood variables such as knots, hardness, toughness, wetness, pressure treated and freshly cut green lumber can heavily load the saw which can lead to stalling. Push the saw slower when this occurs.
- Don't remove saw from work during a cut while the blade is moving.
- Allow saw to reach full speed before blade contacts material to be cut. Starting the saw with the blade against the work or pushed forward into cut can lead to stalling or sudden backward movement of saw.
- Never attempt to lift saw when making a bevel cut. This leads to blade binding and stalling.
- Always secure work to prevent workpiece movement during cut.
- Do not try to force saw back on line if your cut begins to go off line. This can cause KICKBACK. Stop saw and allow blade to coast down to a stop. Withdraw from cut and start a new cut on the line.
- Set depth adjustment of saw such that one tooth of the blade projects below the workpiece as shown in (**figure 8**).
- Do not back up a rotating blade in the cut. Twisting the saw can cause the back edge of the blade to dig into the material, climb out of the work and run back toward the operator.
- Avoid cutting nails. Inspect for and remove all nails from lumber before cutting.

SAFETY INSTRUCTIONS - LASERS

⚠ DANGER: Laser radiation, avoid direct eye exposure, serious eye injury can result.

- Do not use optical tools such as a telescope or transit to view the laser beam.
- Position the laser so unintentional eye contact will be avoided.
- Do not operate the laser around children or allow children to operate the laser.
- Do not disassemble. Modifying the product in any way can increase the risk of laser radiation.

⚠ WARNING: Use of controls or adjustments or performance of procedures other than those specified in this manual may result in hazardous laser radiation exposure.

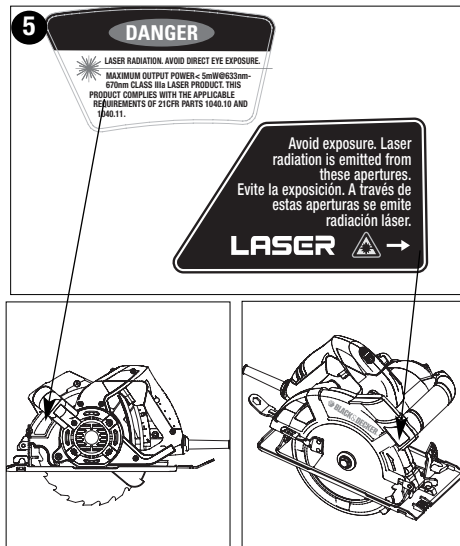
- Do not operate in explosive atmospheres, such as in the presence of flammable liquids, gases, or dust.
- Store idle product out of reach of children and other untrained persons. Lasers / power tools are dangerous in the hands of untrained users.
- Use only accessories that are recommended by the manufacturer for your model. Accessories that may be suitable for one laser / power tool, may create a risk of injury when used on another laser / power tool.
- Repairs and servicing MUST be performed by a qualified repair facility. Repairs performed by unqualified personnel could result in serious injury.
- Do not remove or deface warning labels. Removing labels increases the risk of exposure to radiation.
- For indoor use only.
- This product is intended for use in a temperature range of 41°F(5°C) - 104°F(40°C).

NOTE: Laser is set at the factory and is not adjustable.

⚠ CAUTION: Use of controls or adjustments or performance of

procedures other than those specified in this manual may result in hazardous laser radiation exposure.

The following laser warnings are located on your saw.



The label on your tool may include the following symbols.

- Vvolts
- mWmilliwatts
- nmwavelength in nonometers
- IIIaClass IIIA Laser
- Aamperes
- Hzhertz
- Wwatts
- minminutes
- ~alternating current
- ====direct current
- nono load speed
- ☐Class II Construction
- .../minrevolutions or
-reciprocation per minute
- ⊕earthing terminal
- ⚠safety alert symbol

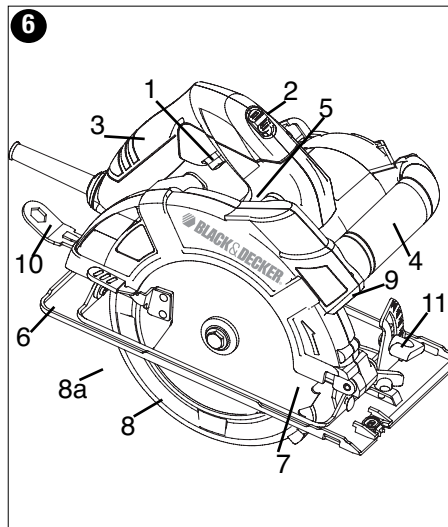
MOTOR

Be sure your power supply agrees with nameplate marking. 120 Volts AC means your tool will operate on standard 60 Hz household power. Do not operate AC tools on DC. A rating of 120 volts AC/DC means that your tool will operate on standard 60 Hz AC or DC power. This information is printed on the nameplate.

Lower voltage will cause loss of power and can result in over-heating. All **Black & Decker** tools are factory-tested; if this tool does not operate, check the power supply. This tool is AC only.

OVERVIEW (FIG.6)

1. On/off switch
 2. Laser on/off switch
 3. Main handle
 4. Secondary handle
 5. Spindle lock button (CS1040L only)
 6. Shoe
 7. Saw blade
 8. Saw blade guard
 - 8a. Blade guard retracting lever
 9. Laser
 10. Saw blade wrench
 11. Bevel adjustment knob
- Rip fence not shown (CS1040L only)



ASSEMBLY / ADJUSTMENT SET-UP

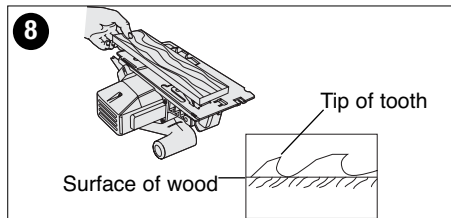
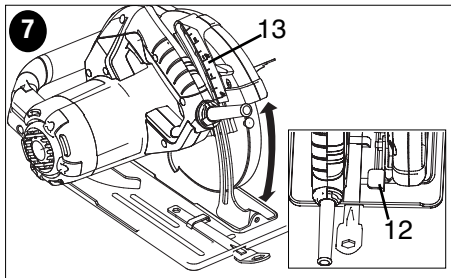
⚠ WARNING: Always unplug saw from power supply before any of the following operations.

ADJUSTING THE DEPTH OF CUT (FIG. 7 & 8)

The depth of cut should be set according to the thickness of the workpiece.

- Loosen the lever (12) to unlock the saw shoe.
- Move the saw shoe (6) into the desired position. The corresponding depth of cut can be read from the scale (13).

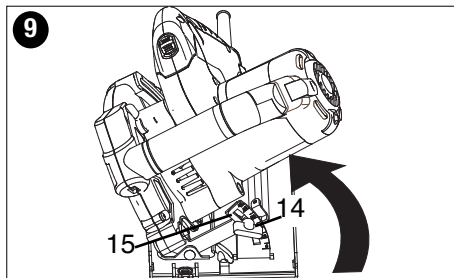
- Tighten the lever to lock the saw shoe in place.
- Set depth adjustment of saw such that one tooth of the blade projects below the workpiece as shown in **figure 8**.



ADJUSTING THE BEVEL ANGLE (FIG. 9)

This tool can be set to bevel angles between 0° and 45°.

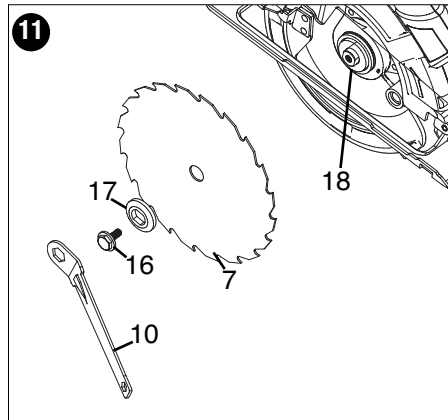
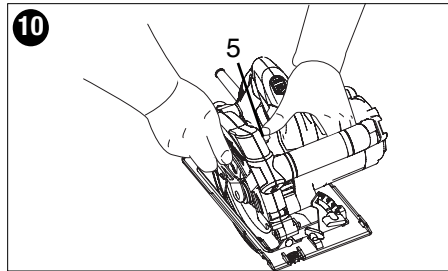
- Loosen the locking knob (14) to unlock the saw shoe.
- Move the saw shoe (6) into the desired position. The corresponding bevel angle can be read from the scale (15).
- Tighten the locking knob to lock the saw shoe in place.



ATTACHING AND REMOVING THE BLADE

REMOVING THE BLADE (CS1040L) (FIG. 10 & 11)

- Keep the spindle lock button (5) depressed and rotate the blade until the spindle lock engages.
- Loosen and remove the blade retaining screw (16) by turning it counter-clockwise using the wrench (10) supplied.
- Remove the outer washer (17).
- Remove the saw blade (7).

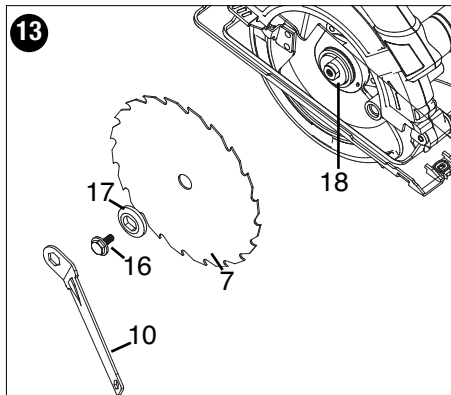
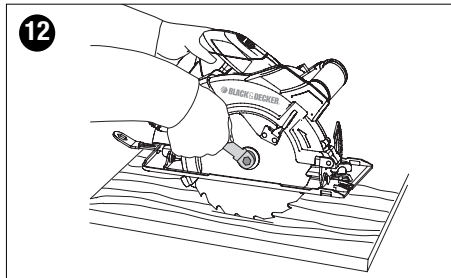


ATTACHING THE BLADE (CS1040L)

- Place the saw blade (7) onto the inner flange (18), making sure that the arrow on the blade points in the same direction as the arrow on the tool.
- Fit the outer washer (17) on the spindle, with the raised part pointing away from the saw blade.
- Insert the blade retaining screw (16) into the hole.
- Keep the spindle lock button (5) depressed.
- Securely tighten the blade retaining screw by turning it clockwise using the wrench (10) supplied.

REMOVING THE BLADE (CS1030L) (FIG. 12 & 13)

- Prevent spindle rotation by engaging the teeth of the saw blade into a piece of scrap wood.
- Loosen and remove the blade retaining screw (16) by turning it counter-clockwise using the wrench (10) supplied.
- Remove the outer washer (17).
- Remove the saw blade (7).



ATTACHING THE BLADE (CS1030L)

- Place the saw blade (7) onto the inner flange (18), making sure that the arrow on the blade points in the same direction as the arrow on the tool.
- Fit the outer washer (17) on the spindle, with the raised part pointing away from the saw blade.
- Insert the blade retaining screw (16) into the hole.
- Prevent spindle rotation by engaging the teeth of the saw blade into a piece of scrap wood.
- Securely tighten the blade retaining screw by turning it clockwise using the wrench (10) supplied.

⚠ WARNING: To reduce the risk of serious personal injury, read, understand and follow all important safety warnings and instructions prior to using tool.

GENERAL CUTS (IMPORTANT: READ SAFETY WARNINGS AND INSTRUCTIONS.)

GUARD AGAINST KICKBACK

With unit unplugged, follow all assembly, adjustment and set up instructions.

Make sure lower guard operates. Select the proper blade for the material to be cut.

- Measure and mark work for cutting.
- Support and secure work properly (See Safety Rules and Instructions).
- Use appropriate and required safety equipment (See Safety Rules).
- Secure and maintain work area (See Safety Rules).
- With plug inserted and guard closed, make sure switch turns saw on and off.

⚠ WARNING: It is important to support the work properly and to hold the saw firmly to prevent loss of control which could cause personal injury. **Figure 3** illustrates recommended hand position.

ATTACHING AND REMOVING THE RIP FENCE (INCLUDED WITH CS1040L) (FIG. 14)

The rip fence is used to saw in a straight line parallel to the edge of the workpiece.

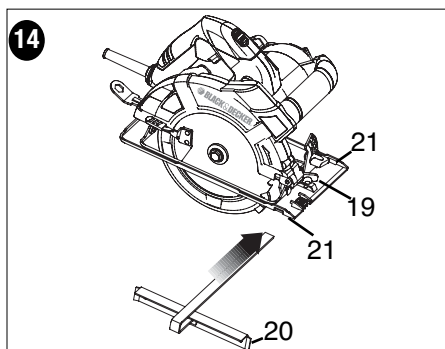
ATTACHING

- Loosen the locking knob (19).
- Insert the rip fence (20) through the openings (21).
- Slide the rip fence into the desired position.
- Tighten the locking knob.

REMOVING

- Loosen the locking knob.
- Pull the rip fence out of the tool.

NOTE: If you do not have a proper fitting fence, use a straight edge guide in contact with the edge of the shoe to improve accuracy of cut and reduce the possibility of binding and kickback.



OPERATION

SWITCH

- To operate the tool, depress the trigger switch (1). The tool will continue to run as long as the trigger is depressed.
- To turn the tool off, release the trigger switch (1). There is no provision for locking the tool on, and the switch should never be locked on by any other means.

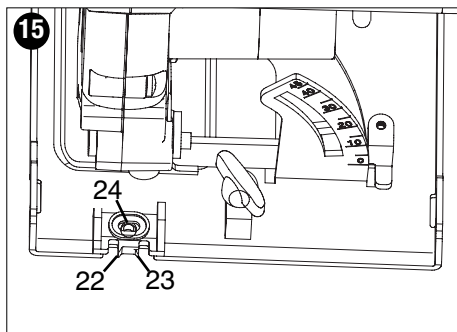
KERF PLATE ADJUSTMENT (FIG. 15)

The tool is equipped with a sight guide for straight cutting (22) and for 45° miter cutting (23).

- Be sure the saw is unplugged.
- Adjust the kerf plate as described below.
- Align the left edge of the guides (22) or (23) with the cutting line.
- Keep the kerf plate aligned with the cutting line while sawing.
- Work with the shoe pressed against the workpiece.

ADJUSTING THE KERF PLATE

- Plug in the saw.
- Make a test cut halfway through a piece of scrap wood.
- Withdraw the saw so the cutting line becomes visible.
- While keeping the saw in this position, unplug the saw and loosen the kerf plate on the saw shoe.



- Align the 0° mark (22) on the kerf plate with the cutting line. When adjusting for 45° miter cuts, align the 45° mark (23) on the kerf plate with the cutting line.
- Secure the kerf plate using the screw (24).

LASER LINE

⚠ WARNING: LASER RADIATION.

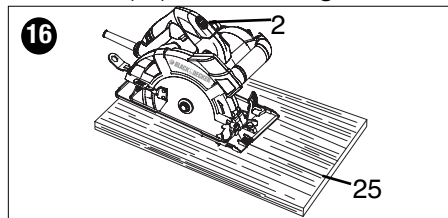
Never aim the beam at a workpiece with a reflective surface. Bright shiny reflective sheet steel or similar reflective surfaces are not recommended for laser use. Reflective surfaces could direct the beam back toward the operator.

⚠ DANGER: LASER RADIATION. AVOID DIRECT EYE EXPOSURE. Do not stare into the laser light source. Never aim light at another person or object other than the workpiece. Laser light can damage your eyes.

⚠ WARNING: DO NOT use tinted glasses to enhance the laser light. Tinted glasses will reduce overall vision for the application and interfere with the normal operation of the tool.

LASER SWITCH (FIG. 16)

To turn the laser on, push forward on the laser on/off switch (2) to activate the laser line (25) as shown in figure 16.



TO USE THE LASER LINE

- Mark the line that you intend to cut on the workpiece.
- Adjust the depth and angle of cut as required.
- Push the laser on/off switch (2) to the forward "ON" position and project the laser beam.
- Depress the saw trigger switch (1) and allow the blade to reach maximum speed.
- Place the saw shoe on the workpiece. Align the laser line with the mark on the workpiece and slowly push the saw forward keeping the laser line on the mark.
- Upon completion of the cut, release the trigger and allow the saw blade to come to a complete stop before switching off the laser.

SAWING

⚠ WARNING: To reduce the risk of serious personal injury, always hold the tool with both hands.

- Let the blade run freely for a few seconds before starting the cut.
- Apply only a gentle pressure to the tool while performing the cut.
- Work with the shoe pressed against the workpiece.

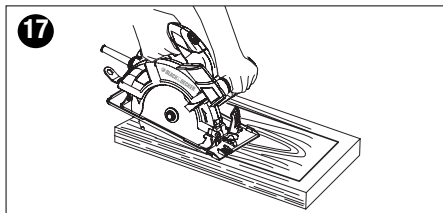
HINTS FOR OPTIMUM USE

- As some splintering along the line of cut on the top side of the workpiece cannot be avoided, cut on the side where splintering is acceptable.
- Where splintering is to be minimized, e.g. when cutting laminates, clamp a piece of plywood onto the top of the workpiece.

POCKET CUTTING (FIG.17)

POCKET CUTTING IS USED TO CUT A HOLE IN A PIECE OF MATERIAL WITHOUT CUTTING FROM THE SIDE.

- Measure and mark work.
- Tilt saw forward and rest front of the shoe on material to be cut. Align so that cut will begin at the back of the drawn rectangle shown in **figure 17**.



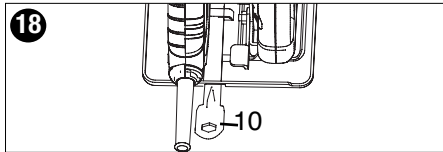
- Using the retracting lever, retract blade guard to an upward position, with the blade just clearing the material, start motor and gradually lower the saw into the material.

⚠ WARNING: As blade starts cutting the material, release the retracting lever immediately.

- Never tie the blade guard in a raised position.
- When the shoe rests flat on the material being cut, complete the cut in forward direction.
- Allow the blade to come to a complete stop before lifting saw from material.
- When starting each new cut, repeat the above steps.

WRENCH STORAGE (FIG.18)

The blade wrench (10) can be stored on the saw shoe as shown in **figure 18**.



MAINTENANCE

Use only mild soap and damp cloth to clean the tool. Never let any liquid get inside the tool; never immerse any part of the tool into a liquid.

IMPORTANT: To assure product SAFETY and RELIABILITY, repairs, maintenance and adjustment (other than those listed in this manual) should be performed by authorized service centers or other qualified service organizations, always using identical replacement parts.

LUBRICATION

Black & Decker tools are properly lubricated at the factory and are ready for use.

ACCESSORIES

Recommended accessories for use with your tool are available from your local retailer.

⚠ WARNING: The use of any accessory not recommended for use with this tool could be hazardous. Use only 7-1/4" (185mm) blades with 5/8" diameter arbor. Exception: 7" (175 mm) abrasive blades can be used.

When cutting metal, be careful of hot sparks which are thrown by the blade.

SERVICE INFORMATION

All Black & Decker Service Centers are staffed with trained personnel to provide customers with efficient and reliable power tool service. Whether you need technical advice, repair, or genuine factory replacement parts, contact the Black & Decker location nearest you. To find your local service location, refer to the yellow page directory under "Tools—Electric" or call: **1-800-544-6986** or visit **www.blackanddecker.com**

FULL TWO-YEAR HOME USE WARRANTY

Black & Decker (U.S.) Inc. warrants this product for two years against any defects in material or workmanship. The defective product will be replaced or repaired at no charge in either of two ways.

The first, which will result in exchanges only, is to return the product to the retailer from whom it was purchased

(provided that the store is a participating retailer). Returns should be made within the time period of the retailer's policy for exchanges (usually 30 to 90 days after the sale). Proof of purchase may be required. Please check with the retailer for their specific return policy regarding returns that are beyond the time set for exchanges.

The second option is to take or send the product (prepaid) to a Black & Decker owned or authorized Service Center for repair or replacement at our option. Proof of purchase may be required. Black & Decker owned and authorized Service Centers are listed under "Tools-Electric" in the yellow pages of the phone directory.

This warranty does not apply to accessories. This warranty gives you specific legal rights and you may have other rights which vary from state to state or province to province. Should you have any questions, contact the manager of your nearest Black & Decker Service

Center. This product is not intended for commercial use.

Free Warning Label Replacement: If your warning labels become illegible or are missing, call **1-800-544-6986** for a free replacement.

TROUBLESHOOTING

Problem

- Unit will not start.

Possible Cause

- Cord not plugged in.
- Circuit fuse is blown.
- Circuit breaker is tripped.
- Cord or switch is damaged.

Possible Solution

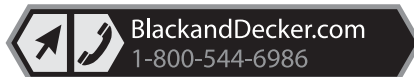
- Plug tool into a working outlet.
- Replace circuit fuse. (If the product repeatedly causes the circuit fuse to blow, discontinue use immediately and have it serviced at a Black & Decker service center or authorized servicer.)
- Reset circuit breaker. (If the product repeatedly causes the circuit breaker to trip, discontinue use immediately and have it serviced at a Black & Decker service center or authorized servicer.)
- Have cord or switch replaced at Black & Decker Service Center or Authorized Servicer

For assistance with your product, visit our website www.blackanddecker.com for the location of the service center nearest you or call the BLACK & DECKER help line at **1-800-544-6986**.

TECHNICAL SPECIFICATIONS OF LASER:

Laser diode wavelength: 633-670nm (red color)
 Laser Class: IIIa
 Operating temperature: 41°F (5°C) - 104° F (40°C)
 Accuracy: +/- 1.8mm at every 300 mm

Imported by
 Black & Decker (U.S.) Inc.,
 701 E. Joppa Rd.
 Towson, MD 21286 U.S.A.



See 'Tools-Electric'
 - Yellow Pages -
 for Service & Sales

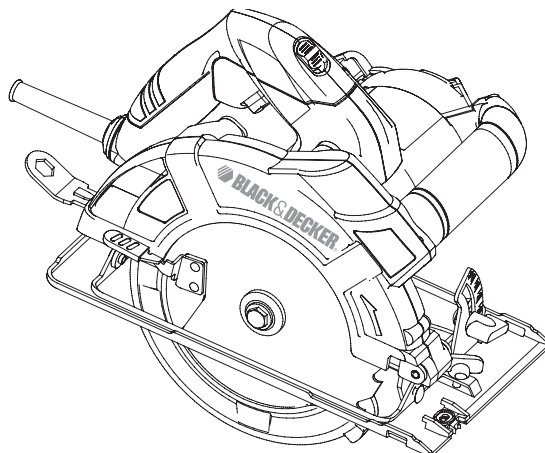




Scies circulaires 7-1/4" (185 mm)

GUIDE D'UTILISATION

Numéros de catalogue
CS1030L / CS1040L



MERCI D'AVOIR CHOISI BLACK & DECKER !
VISITEZ WWW.BLACKANDDECKER.COM/NEWOWNER
POUR ENREGISTRER VOTRE NOUVEAU PRODUIT.

**AVANT DE RETOURNER CE PRODUIT POUR
QUELQUE RAISON QUE CE SOIT, COMPOSER LE
1-800-544-6986**

AVANT D'APPELER, AYEZ EN MAIN LE N° DE CATALOGUE ET LE CODE DE DATE. DANS LA PLUPART
DES CAS, UN REPRÉSENTANT DE BLACK & DECKER PEUT RÉSOUDRE LE PROBLÈME PAR
TÉLÉPHONE. SI VOUS AVEZ UNE SUGGESTION OU UN COMMENTAIRE, APPELEZ-NOUS. VOS
IMPRESSIONS SONT CRUCIALES POUR BLACK & DECKER.

CONSERVER CE MANUEL POUR UN USAGE ULTÉRIEUR.

RÈGLES GÉNÉRALES DE SÉCURITÉ

⚠ AVERTISSEMENT : Assurez-vous de lire et de comprendre toutes les directives. Négliger de suivre les instructions énumérées ci-dessous pourrait être la cause d'un choc électrique, d'un incendie ou d'une blessure corporelle grave.

CONSERVEZ CES DIRECTIVES

ZONE DE TRAVAIL

- **Assurez-vous que votre espace de travail est propre et bien éclairé.** Les bancs encombrés et les endroits sombres sont souvent des causes d'accidents.
- **Ne faites pas fonctionner d'outils électriques dans une atmosphère inflammable, soit en présence de liquides inflammables, de gaz ou de poussière.** Les outils électriques produisent des étincelles qui peuvent enflammer la poussière ou les vapeurs.
- **Éloignez les curieux, les enfants et les visiteurs lorsque vous utilisez un outil électrique.** Une distraction pourrait vous en faire perdre la maîtrise.

SÉCURITÉ EN ÉLECTRICITÉ

- **Les outils à double isolation sont dotés d'une fiche polarisée (dont une lame de contact est plus large que l'autre). Cette fiche ne se branche que d'une seule façon dans une prise de courant polarisée.** Si la fiche ne s'insère pas totalement dans la prise de courant, renversez-la. Si elle ne s'insère toujours pas dans la prise, demandez à un électricien compétent d'installer une fiche polarisée. **Ne tentez pas de remplacer la fiche.** La double isolation élimine la nécessité d'utiliser un cordon d'alimentation muni d'une fiche à trois fils avec mise à la terre et un bloc d'alimentation avec mise à la terre.
- **Évitez tout contact physique avec des surfaces mises à la terre tels des tuyaux, des radiateurs, des cuisinières et des réfrigérateurs.** Le risque d'électrocution est plus élevé

- lorsque votre corps est mis à la terre.
- **Ne laissez pas vos outils électriques sous la pluie ou dans un environnement humide.** Une infiltration d'eau dans un outil électrique augmente le risque d'électrocution.
- **Faites attention au cordon électrique. Ne l'utilisez pas pour transporter l'outil. Ne tirez jamais sur le cordon pour le débrancher de la prise de courant. Éloignez le cordon électrique de la chaleur, de l'huile, des bords tranchants ou des pièces mobiles. Remplacez immédiatement tout cordon électrique endommagé.** Un cordon endommagé peut provoquer une électrocution.
- **Lorsqu'on utilise un outil électrique à l'extérieur, on ne doit utiliser que des rallonges conçues pour cet usage, comme celles de type « W-A » ou « W », afin de réduire les risques de choc électrique.**

Calibre minimum pour les rallonges

Volts	Longueur totale du cordon en pieds			
120V	0-25	26-50	51-100	101-150
240V	0-50	51-100	101-200	201-300

Intensité nominale

Plus que	Pas plus que	Calibre moyen de fil (AWG)			
0 -	6	18	16	16	14
6 -	10	18	16	14	12
10 -	12	16	16	14	12
12 -	16	14	12	Non recommandé	

SÉCURITÉ PERSONNELLE

- **Soyez vigilant, faites attention à ce que vous faites et faites preuve de jugement lorsque vous utilisez un outil électrique. N'utilisez pas un outil lorsque vous êtes fatigué ou lorsque vous avez pris de la drogue, de l'alcool ou des médicaments.** Un moment d'inattention, lorsque vous utilisez un outil électrique, peut se solder par des blessures sérieuses.
- **Habillez-vous en conséquence. Ne portez pas de vêtements amples ni de bijoux qui pourraient s'enchevêtrer quelque part. Attachez les cheveux longs. Gardez les cheveux, les vêtements et les gants à l'écart des pièces mobiles.** Les vêtements amples, bijoux ou cheveux longs pourraient s'enchevêtrer dans les

pièces mobiles. Tenez-vous à l'écart des événements, car ils couvrent des pièces mobiles.

- **Attention de ne pas mettre l'outil en marche accidentellement. Assurez-vous que l'interrupteur est en position d'arrêt avant de brancher l'outil.** Il est très dangereux de transporter un outil en gardant le doigt sur l'interrupteur ou de le brancher lorsque l'interrupteur est enclenché.
- **Retirez les clés de réglage ou les clés à molette avant de mettre l'outil en marche.** Une clé à molette ou une clé de réglage attachée à une partie pivotante peut causer des blessures.
- **Ne tendez pas trop les bras. Conservez votre équilibre en tout temps.** Un équilibre convenable vous permettra de maîtriser l'outil en situation inattendue.
- **Utilisez de l'équipement de sécurité. Portez toujours des verres protecteurs.** Selon les conditions, portez un masque anti-poussières, des souliers antidérapants, un casque de sécurité ou des protecteurs d'oreilles.

UTILISATION ET ENTRETIEN DE L'OUTIL

- **Utilisez des attaches ou tout autre système permettant de soutenir et de retenir la pièce sur laquelle vous travaillez sur une plate-forme stable.** En retenant la pièce avec la main ou contre votre corps, vous risquez de perdre votre emprise.
- **Ne forcez pas l'outil. Utilisez le bon outil.** Le bon outil effectuera le travail de la bonne façon et en toute sécurité.
- **N'utilisez pas l'outil si l'interrupteur ne fonctionne pas.** Tout outil dont l'interrupteur ne fonctionne pas est dangereux et doit être réparé.
- **Débranchez la fiche du bloc d'alimentation avant de faire quelque ajustement que ce soit, de changer d'accessoire ou de ranger l'outil.** Une telle mesure de sécurité préventive réduit le risque de mettre l'outil en marche accidentellement.
- **Rangez les outils hors de la portée des enfants et des personnes sans expérience.** Les outils deviennent des appareils très dangereux dans des mains inexpérimentées.
- **Prenez soin de vos outils. Assurez-vous que vos outils coupants sont aiguisés et propres.** Lorsque vous les entretenez correctement, vos outils tranchants accrochent moins et sont plus faciles à maîtriser.
- **Vérifiez que les pièces mobiles ne sont pas désalignées, tordues,**

brisées ou dans un état qui pourrait affecter l'utilisation de l'outil. Si elles sont endommagées, faites réparer l'outil avant de l'utiliser. Beaucoup d'accidents sont causés par des outils mal entretenus.

- **N'utilisez que les accessoires conseillés par le fabricant pour le modèle de votre outil.** Des accessoires qui conviennent à un outil peuvent devenir dangereux lorsqu'ils sont utilisés avec un autre outil.

RÉPARATION

- **La réparation d'outils doit être exécutée uniquement par un personnel de réparation formé.** Toute réparation ou tout entretien réalisé par un personnel non formé peut causer un risque de blessures.
- **Pour réparer un outil, n'utilisez que des pièces de rechange identiques. Suivez les directives figurant à la section « Entretien » du mode d'emploi.** L'utilisation de pièces non autorisées ou le fait de ne pas suivre les directives d'entretien, peut entraîner un risque de choc électrique ou de blessure corporelle.

RÈGLES DE SÉCURITÉ SPÉCIFIQUES

- ⚠ **DANGER! Tenez les mains loin de la zone tranchante et de la lame. Tenez votre deuxième main sur la poignée auxiliaire ou sur le boîtier du moteur.** Si les deux mains tiennent la scie, elles ne peuvent pas être coupées par la lame.
- **Tenez votre corps sur un des côtés de la lame de la scie et non dans sans trajectoire.** UN EFFET DE REBOND pourrait provoquer un saut de la scie vers l'arrière. (Voir la section « Causes de l'effet de rebond et prévention par l'opérateur »).
- **Ne passez pas les mains sous votre ouvrage.** Le dispositif de sécurité ne peut pas vous protéger de la lame sous l'ouvrage.
- **Vérifiez avant chaque usage que le pare-main inférieur se ferme bien. N'utilisez pas la scie si le pare-main inférieur ne se déplace pas librement ou ne ferme pas instantanément. Ne fixez pas et n'attachez pas le pare-main inférieur en position ouverte.** Si la scie tombe accidentellement, le pare-main inférieur pourrait se plier. Levez le pare-main inférieur à l'aide de la poignée

de rétraction et assurez-vous qu'il se déplace librement et ne touche pas la lame ou aucune autre pièce, et ce à tous les angles et toutes les profondeurs de découpe.

- **Vérifiez le fonctionnement et l'état du ressort du pare-main inférieur. Si le pare-main et le ressort ne fonctionnent pas correctement, ils doivent être réparés avant utilisation.** Le pare-main inférieur peut fonctionner lentement à cause de pièces endommagées, de dépôts collants ou d'accumulation de débris.
- **Le pare-main inférieur ne doit être rétracté manuellement que pour des découpes spéciales telles « Découpes en poche » et « Découpes combinées ».** Abaissez le pare-main inférieur en utilisant la poignée de rétraction. Dès que la lame entre dans le matériau, le pare-main inférieur doit être relâché. Pour tout autre type de sciage, le pare-main inférieur doit fonctionner automatiquement.
- **Vérifiez toujours que le pare-main inférieur recouvre la lame avant de poser la scie sur l'établi ou sur le sol.** Une lame non protégée et continuant de tourner fait « marcher » la scie en arrière et lui fait couper tout ce qui se trouve dans son chemin. Faites attention au temps que prend la lame à s'arrêter après que le l'interrupteur soit relâché.
- **Ne tenez JAMAIS la pièce que vous coupez dans vos mains et ne placez jamais en travers de vos jambes.** Il est important de soutenir correctement la surface de travail pour minimiser l'exposition du corps, l'accrochage de lame et la perte de contrôle.
- **Tenez l'outil par sa surface de prise isolée dans une situation où l'outil de coupe peut entrer en contact avec un câblage caché ou avec son propre cordon d'alimentation.** Tout contact avec un fil « sous tension » mettra « sous tension » les pièces métalliques de l'outil et électrocutera l'opérateur de l'outil.
- **En cas de sciage rapide, utilisez toujours un guide longitudinal ou à règle droite.** Cela augmente la précision de la découpe et réduit les chances d'accrochage de lame.

- **Utilisez toujours des lames dont les trous d'axe sont de taille et de forme appropriées (diamant ou circulaire).** Les lames qui ne correspondent pas au matériel de montage de la scie tourneront de manière excentrée et causeront des pertes de contrôle.
- **N'utilisez jamais de rondelle ou d'écrou de lame endommagé ou incorrect.** Les rondelles et les écrous de lame ont été spécifiquement conçus pour votre scie afin d'en optimiser les performances et la sécurité de fonctionnement.

CAUSES DE L'EFFET DE REBOND ET PRÉVENTION PAR L'OPÉRATEUR

- L'effet de rebond est une réaction soudaine d'une lame de scie pincée, accrochée ou mal alignée, qui cause un saut vertical d'une scie non contrôlée hors de l'ouvrage et en direction de l'opérateur.
- Lorsque la lame est pincée ou accrochée par la fermeture du trait de scie, elle se bloque et la réaction du moteur renvoie rapidement l'unité en arrière et en direction de l'opérateur.
- Si la lame est tordue ou mal alignée dans la coupe, les dents situées sur l'arête arrière de la lame peuvent creuser dans la surface du bois et causer une escalade de la lame hors du trait de scie et un saut en direction de l'opérateur.
- Un effet de rebond est le résultat d'une mauvaise utilisation de l'outil et/ou de procédures ou conditions de fonctionnement incorrectes; il peut être évité en prenant les précautions nécessaires telles que décrites ci-dessous.
 - a. **Saisissez fermement l'outil avec les deux mains sur la scie et positionnez votre corps et votre bras de telle sorte à pouvoir résister aux forces de l'EFFET DE REBOND.** Ces dernières peuvent être contrôlées par l'opérateur si les précautions correctes sont prises.
 - b. **Lorsque la lame accroche ou lors de l'interruption d'une découpe pour toute raison, relâchez la gâchette et tenez la scie immobile dans le matériau jusqu'à ce que la lame s'arrête complètement. N'essayez jamais de retirer la scie de l'ouvrage ou de tirer la scie vers l'arrière pendant qu'elle est en mouvement. Un EFFET DE REBOND pourrait se produire.**

Investiguez et prenez les actions correctives nécessaires pour éliminer les causes de l'accrochage de la lame.

- c. Lors du redémarrage d'une scie dans l'ouvrage, centrez la lame dans le trait de scie et vérifiez que les dents de scie ne sont pas engagées dans le matériau.** Si la lame de la scie est accrochée, elle pourrait au redémarrage de l'outil « marcher » ou produire un EFFET DE REBOND à partir de l'ouvrage.
- d. Soutenez les grands panneaux pour minimiser le risque de pincement de lame et d'EFFET DE REBOND.** Les grands panneaux ont tendance à fléchir sous leur propre poids. Un support doit être placé sous le panneau, des deux côtés, à proximité de la ligne de coupure et à proximité de l'arête du panneau.
- e. N'utilisez pas de lame émoussée ou endommagée.** Des lames non aiguisées ou incorrectement placées produisent un trait de scie étroit et causent des frottements excessifs, des accrochages de lame et des EFFETS DE REBOND.
- f. Les leviers de blocage de profondeur de lame et d'ajustement de biseau doivent être serrés et sécurisés avant d'effectuer une coupe.** Si le réglage de la lame se décale pendant la découpe, il peut causer un accrochage et un EFFET DE REBOND.
- g. Faites particulièrement attention lors de la réalisation de « Découpe en poche » dans des murs existants ou d'autres zones sans visibilité.** La lame en saillie est susceptible de couper des objets pouvant causer des EFFETS DE REBOND.

CONSERVEZ CES DIRECTIVES

RÈGLES DE SÉCURITÉ SUPPLÉMENTAIRES : SCIES CIRCULAIRES

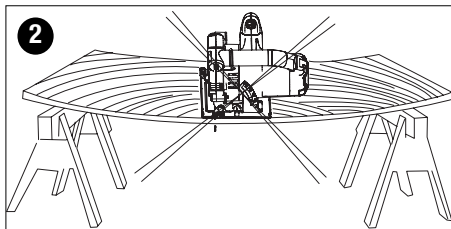
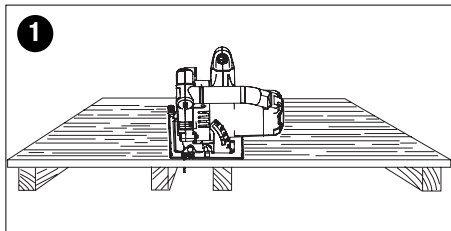
- ⚠ AVERTISSEMENT : Certaines poussières produites par les activités de ponçage, de sciage, de meulage, de perçage et autres activités de construction peuvent contenir des produits chimiques pouvant causer le cancer, des anomalies congénitales ou d'autres problèmes liés aux fonctions reproductrices. Voici quelques exemples de ces produits chimiques :**
- le plomb contenu dans les peintures à base de plomb;
 - la silice cristalline de la brique, du ciment et d'autres produits de maçonnerie;
 - l'arsenic de cuivre et de chrome provenant du bois traité chimiquement.
- Les risques reliés à l'exposition à ces poussières varient selon la fréquence à laquelle vous travaillez avec ce type de matériaux. Afin de réduire votre exposition à ces produits chimiques : travaillez dans un endroit bien ventilé et portez un équipement de sécurité approuvé comme un masque anti-poussières conçu spécialement pour filtrer les particules microscopiques.
- **Évitez le contact prolongé avec les poussières produites par les activités de ponçage, sciage, meulage, perçage et autres activités de construction.** Portez des vêtements de protection et lavez les parties du corps exposées avec une solution d'eau et de savon. Le fait de laisser la poussière pénétrer par la bouche et les yeux ou de la laisser reposer sur la peau, peut promouvoir l'absorption de produits chimiques nocifs.
- ⚠ AVERTISSEMENT :** L'utilisation de cet outil peut produire ou propulser des poussières qui pourraient causer des problèmes respiratoires graves et permanents ou d'autres problèmes médicaux. Portez toujours un appareil respiratoire approuvé par la NIOSH/OSHA pour vous protéger de la poussière. Dirigez les particules à l'écart de votre visage et de votre corps.
- **MISE EN GARDE : Portez un dispositif de protection anti-bruit pendant l'utilisation. Dans certaines conditions et selon la durée d'utilisation, le bruit causé par ce produit peut contribuer à une perte auditive.**
 - **L'accrochage du pare-main inférieur à une surface située au-dessous du matériel en cours de découpe peut**

réduire momentanément le contrôle de l'opérateur. La scie peut se soulever partiellement hors de la coupe et accroître les chances de torsion de lame. Assurez-vous que le dégagement sous l'ouvrage est suffisant.

- **Lorsqu'il est nécessaire de relever manuellement le pare-main, utilisez le levier de rétraction.**
- **MAINTENEZ LES LAMES PROPRES ET AIGUISÉES.** Des lames aiguisées minimisent les blocages et l'effet de rebond. L'utilisation de lames émoussées et/ou sales peut augmenter la charge de la scie et forcer l'opérateur à appuyer plus fort, ce qui peut provoquer des torsions de lame.

⚠ DANGER : TENEZ LES MAINS ÉLOIGNÉES DE LA ZONE DE DÉCOUPE. Tenez les mains loin des lames. Ne placez jamais les mains devant ou derrière la trajectoire de la lame pendant la découpe. Ne passez pas les mains sous votre ouvrage lorsque la lame tourne. N'essayez pas d'enlever les matériaux découpés pendant que la lame est en mouvement.

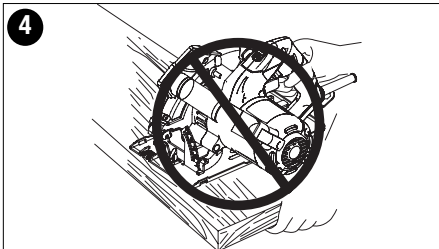
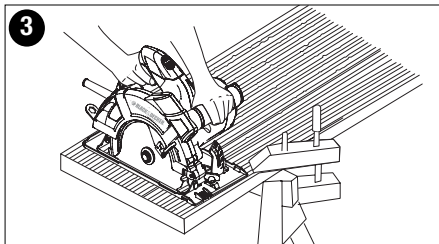
- **SOUTENEZ LES GRANDS PANNEAUX.** Les grands panneaux doivent être soutenus comme illustré (**figure 1**) dans ce manuel pour minimiser le risque de pincement de lame et d'effet de rebond. Un matériau soutenu uniquement aux extrémités (**figure 2**) provoque des pincements de lame. Lorsqu'une opération de découpe requiert que la scie repose sur l'ouvrage, la scie doit reposer sur la partie la plus grande et la partie la plus petite doit être découpée.



- **N'UTILISEZ QUE DES LAMES ET DES COMPOSANTS D'ASSEMBLAGE DE LAMES APPROPRIÉS LORS DU MONTAGE DE LAMES.** N'utilisez pas de

lame comportant des trous de taille incorrecte. N'utilisez jamais de rondelle ou d'écrou de lame défectueux ou incorrect. Suivez les procédures d'assemblage de lame.

- **RÉGLAGES.** Avant d'entamer la découpe, assurez-vous que les réglages de profondeur et de biseau sont serrés.
- **SOUTENEZ ET FIXEZ CORRECTEMENT L'OUVRAGE.** Assurez-vous que le matériau à découper est serré (**figure 3**), solidement soutenu et en équilibre sur une surface de travail solide, stable et mise à niveau. Soutenez l'ouvrage de telle sorte que la plus large partie du sabot de la scie soit sur la partie du matériau qui ne tombe pas après réalisation de la découpe. Ne tenez jamais la partie découpée à la main (**figure 4**). Un EFFET DE REBOND dû au pincement de la lame pourrait résulter. Gardez vos deux mains sur la scie à tout moment.



- **RESTEZ ATTENTIF ET CONTRÔLEZ L'OUTIL.** Positionnez votre corps d'un seul côté de la lame. Serrez toujours la scie fermement et contrôlez-la avec vos deux mains. Ne changez pas de position de main et ne déplacez pas votre corps pendant que la scie tourne. Veillez à éviter toute blessure due aux pièces coupées et aux chutes de matériaux durant le fonctionnement.

⚠ DANGER : POUR ÉVITER TOUT EFFET DE REBOND, RELÂCHEZ IMMÉDIATEMENT L'INTERRUPTEUR SI LA LAME ACCROCHE OU SI LA SCIE SE BLOQUE

PROTÉGEZ-VOUS DES EFFETS DE REBOND

- **LES EFFETS DE REBOND PEUVENT ÊTRE CAUSÉS** par pincements, torsions,

accrochages ou blocages de scie durant une découpe. Si la lame est tordue ou mal alignée dans la coupe, les dents situées sur l'arête postérieure de la lame peuvent creuser dans la surface du bois et causer une escalade de la lame hors du trait de scie et un saut en direction de l'opérateur.

POUR RÉDUIRE LE RISQUE D'EFFET DE REBOND

- Serrez fermement la scie avec les deux mains à tout moment.
- Restez attentif – contrôlez l'outil.
- Soutenez les longs matériaux qui dépassent. Lorsque le matériau est découpé et qu'il s'affaiblit, il fléchit et cause un pincement de lame.
- Soutenez les grands panneaux comme illustré (Fig. 1). Un matériau soutenu uniquement aux extrémités (Fig. 2) provoque des pincements de lame.
- Évitez de scier au-dessus de votre tête. Les matériaux peuvent fléchir et pincer la lame.
- Gardez les lames aiguisées et propres.
- Utilisez un guide longitudinal ou à règle droite lors de sciage rapide. Faites attention car la bande découpée peut fléchir ou se tordre, fermer le trait de scie et pincer la lame et provoquer un EFFET DE REBOND.
- Ne forcez pas l'outil. Des paramètres du bois tels que nœuds, dureté, solidité, humidité, bois traité par pression et fraîchement coupé peuvent fortement charger la scie et provoquer un blocage. Poussez la scie plus lentement lorsque cela se produit.
- Ne retirez pas la scie de l'ouvrage pendant une opération de découpe lorsque la lame se déplace.
- Laissez la scie atteindre son plein régime avant de placer la lame en contact avec le matériau à découper. Démarrer la scie lorsque la lame est en contact avec l'ouvrage ou enfoncée dans la coupe peut provoquer des blocages ou un mouvement soudain de la scie vers l'arrière.
- N'essayez jamais de soulever la scie lors d'une opération de découpe biseautée. Cela provoque accrochage et blocage de la lame.
- Fixez toujours votre ouvrage pour éviter tout mouvement durant la découpe.
- N'essayez pas de forcer la scie sur sa ligne si votre découpe commence à dériver. Cela peut provoquer des EFFETS DE REBOND. Arrêtez la scie et laissez la lame ralentir et s'arrêter. Retirez-la de la coupe et entamez une nouvelle coupe sur la ligne.
- Réglez l'ajustement de profondeur de la

scie de telle sorte qu'une seule dent de la lame dépasse de la surface inférieure de l'ouvrage (figure 8).

- Ne faites pas reculer une lame en rotation dans la coupe. Suite à une torsion de la scie, l'arête postérieure de la lame peut s'enfoncer dans le matériau, sortir de l'ouvrage et se déplacer rapidement en direction de l'opérateur.
- Évitez de couper des clous. Inspectez le bois et retirez tous les clous qui s'y trouvent avant d'entamer la découpe.

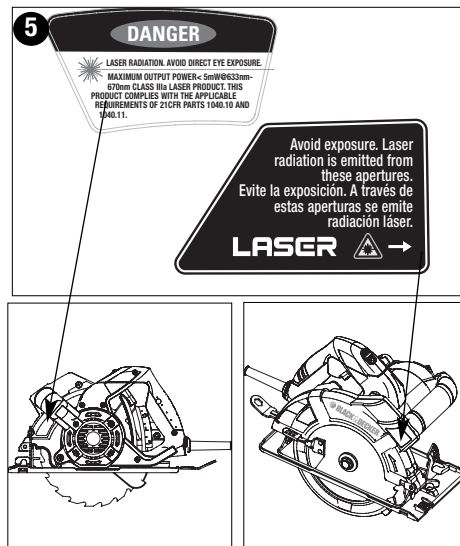
DIRECTIVES DE SÉCURITÉ - LASERS

- ⚠ **DANGER : Rayonnement laser; évitez tout contact direct avec les yeux, des blessures graves aux yeux peuvent en résulter.**
- N'utilisez pas d'outils optiques comme un télescope ou un théodolite pour visionner le faisceau laser.
- Positionnez le laser de telle sorte à éviter tout contact accidentel avec les yeux.
- N'utilisez pas le laser près des enfants et ne laissez pas les enfants utiliser le laser.
- Ne démontez pas le laser. Toute modification du produit peut accroître le risque de rayonnement laser.
- ⚠ **AVERTISSEMENT : L'utilisation de commandes ou de réglages ou l'exécution de procédures autres que celles précisées dans la présente peut entraîner une exposition au rayonnement dangereux.**
- Ne faites pas fonctionner d'outils électriques dans une atmosphère inflammable, soit en présence de liquides inflammables, de gaz ou de poussière.
- N'utilisez qu'avec les piles spécifiquement conçues à cet effet. L'utilisation de toute autre pile risque de causer un incendie.
- Rangez le produit hors de la portée des enfants et des personnes sans expérience. Les lasers sont dangereux entre les mains d'utilisateurs inexpérimentés.
- N'utilisez que les accessoires conseillés par le fabricant pour le modèle de votre outil. Les accessoires adaptés à un laser donné peuvent être dangereux lorsqu'ils sont utilisés avec un autre laser.
- L'outil DOIT être uniquement réparé dans un site de réparation agréé. Toute réparation réalisée par du personnel non qualifié pourrait entraîner des blessures sérieuses.

- N'enlevez pas et n'altérez pas les étiquettes de mise en garde. Enlever les étiquettes accroît le risque d'exposition au rayonnement.
- Pour un usage intérieur seulement.
- Ce produit est conçu pour une utilisation dans une plage de température de 5° C (41° F) à 40° C (104° F).

REMARQUE : le laser est configuré à l'usine et ne peut-être réglé.

⚠ MISE EN GARDE : l'utilisation de commandes ou de réglages ou l'exécution de procédures autres que celles précisées dans la présente peut entraîner une exposition dangereuse au rayonnement laser. Les avertissements relatifs au laser sont situés sur votre scie.



L'étiquette apposée sur votre outil peut comprendre les symboles suivants.

- Vvolts
- mWmilliwatts
- nmlongueur d'onde en nanomètres
- IIIaLaser de classe IIIa
- Aampères
- Hzhertz
- Wwatts
- minminutes
- ~courant alternatif
- ====courant continu
- nopas de vitesse de rotation
- ☐Assemblage de classe II
- .../min.....rotations ou alternances par minute

⊕borne de terre

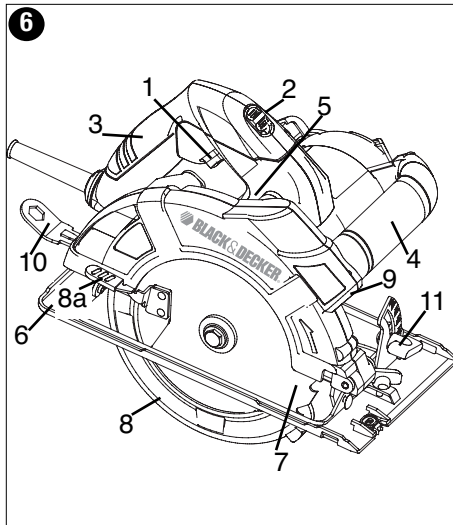
⚠symbole d'alerte à la sécurité

MOTEUR

S'assurer que le bloc d'alimentation est compatible avec l'inscription de la plaque signalétique. 120 volts c.a. signifie que votre outil fonctionnera sur une alimentation domestique standard de 60 Hz. Ne pas faire fonctionner des outils à courant alternatif (c.a.) sur un courant continu (c.c.). Un régime nominal de 120 volts c.a./c.c. signifie que votre outil fonctionnera avec une alimentation standard 60 Hz c.a. ou c.c. Ce renseignement figure sur la plaque signalétique. Une plus faible tension entraînera une baisse de régime, ce qui peut entraîner une surchauffe. Tous les outils **Black & Decker** sont testés en usine; si cet outil ne fonctionne pas, vérifier le bloc d'alimentation. Cet outil est à courant alternatif seulement.

APERÇU (FIG. 6)

1. Interrupteur marche/arrêt
 2. Interrupteur marche/arrêt du laser
 3. Poignée principale
 4. Poignée secondaire
 5. Bouton de verrouillage (CS1040L uniquement)
 6. Patin
 7. Lame de scie
 8. Pare-main de la lame
 - 8a. Levier de rétraction du pare-main de la lame
 9. Laser
 10. Clé de la lame de la scie
 11. Poignée d'ajustement de biseau
- Guide longitudinal non illustré (CS1040L uniquement)



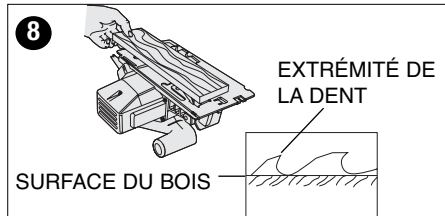
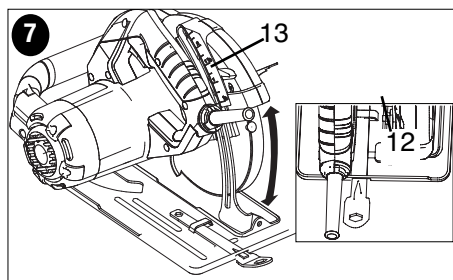
CONFIGURATION DE L'ASSEMBLAGE ET DES RÉGLAGES

⚠ AVERTISSEMENT : toujours débrancher la scie de l'alimentation secteur avant chacune des opérations suivantes.

RÉGLAGE DE LA PROFONDEUR DE COUPE (FIG. 7 ET 8)

La profondeur de la coupe doit être réglée selon l'épaisseur de la pièce.

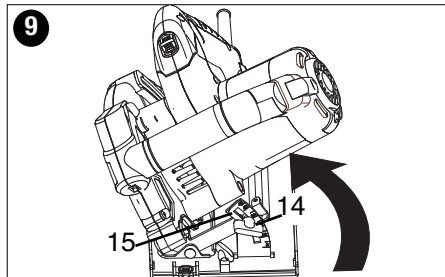
- Desserrer le levier (12) pour déverrouiller le sabot de la scie.
- Mettre le sabot de la scie (6) dans la position désirée. La profondeur de coupe correspondante peut être lue sur l'échelle (13).
- Serrer le levier pour maintenir le sabot de la scie en place.
- Régler l'ajustement de profondeur de la scie de telle sorte qu'une seule dent de la lame dépasse de la surface inférieure de l'ouvrage tel qu'illustré dans la figure 8.



RÉGLAGE DE L'ANGLE DE BISEAU (FIG. 9)

Cet outil peut être réglé sur des angles de biseau entre 0° et 45°.

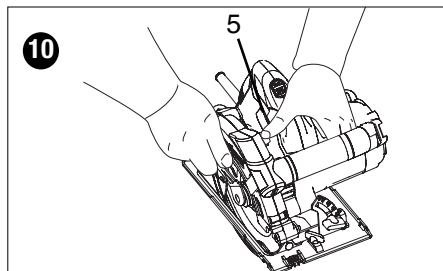
- Desserrer le bouton de verrouillage (14) pour déverrouiller le sabot de la scie.
- Mettre le sabot de la scie (6) dans la position désirée. L'angle de biseau correspondant peut être lu sur l'échelle (15).
- Serrer le bouton de verrouillage pour maintenir le sabot de la scie en place.

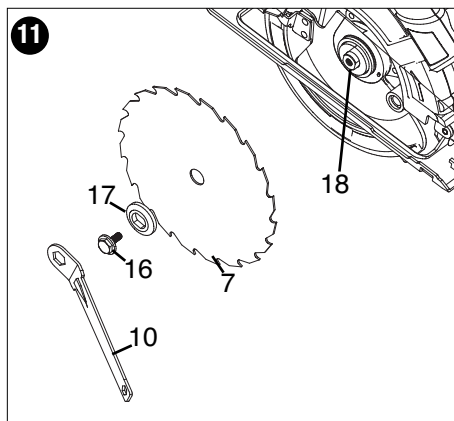


FIXATION ET DÉPOSE DE LA LAME

DÉPOSE DE LA LAME (CS1040L) (FIG. 10 ET 11)

- Maintenir le bouton de verrouillage de broche (5) appuyé et faire pivoter la lame jusqu'à ce que le verrouillage de la lame s'engage.
- Desserrer et enlever la vis qui retient la lame (16) en la tournant dans le sens inverse des aiguilles d'une montre à l'aide de la clé (10) fournie.
- Retirer la rondelle de fixation extérieure (17).
- Retirer la lame de la scie (7).



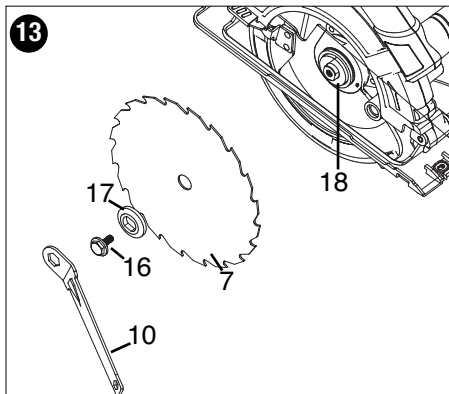
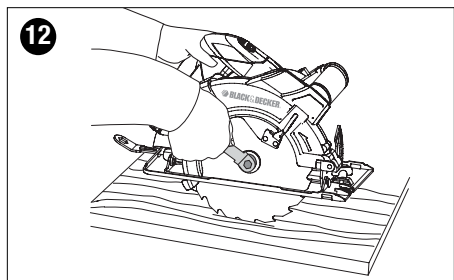


ASSEMBLAGE DE LA LAME (CS1040L)

- Placer la lame de la scie (7) sur la bride interne (18), en s'assurant que la flèche sur la lame indique la même direction que la flèche figurant sur l'outil.
- Ajuster la rondelle de fixation (17) sur la broche, avec la partie élevée pointant dans une direction opposée à la lame de la scie.
- Insérer la vis de rétention de la lame (16) dans le trou.
- Maintenir le bouton de verrouillage de la broche (5) enfoncé.
- Bien serrer la vis de rétention de la lame en la tournant dans le sens des aiguilles d'une montre à l'aide de la clé (10) fournie.

DÉPOSE DE LA LAME (CS1030L) (FIG. 12 ET 13)

- Empêcher la broche de pivoter en engageant la dent de la lame de la scie dans un déchet de découpe.
- Desserrer et enlever la vis qui retient la lame (16) en la tournant dans le sens inverse des aiguilles d'une montre à l'aide de la clé (10) fournie.
- Retirer la rondelle de fixation extérieure (17).
- Retirer la lame de la scie (7).



ASSEMBLAGE DE LA LAME (CS1030L)

- Placer la lame de la scie (7) sur la bride interne (18), en s'assurant que la flèche sur la lame indique la même direction que la flèche figurant sur l'outil.
- Ajuster la rondelle de fixation (17) sur la broche, avec la partie élevée pointant dans une direction opposée à la lame de la scie.
- Insérer la vis de rétention de la lame (16) dans le trou.
- Empêcher la broche de pivoter en engageant la dent de la lame de la scie dans un déchet de découpe.
- Bien serrer la vis de rétention de la lame en la tournant dans le sens des aiguilles d'une montre à l'aide de la clé (10) fournie.

⚠ AVERTISSEMENT : pour réduire le risque de blessure personnelle grave, lire, comprendre et suivre tous les avertissements de sécurité importants et toutes les directives avant d'utiliser l'outil.

DÉCOUPES GÉNÉRALES (IMPORTANT : LIRE LES AVERTISSEMENTS ET CONSIGNES DE SÉCURITÉ)

PROTÉGEZ-VOUS DES EFFETS DE REBOND

Sans brancher l'unité, suivre toutes les consignes d'assemblage, de réglage et de configuration.

S'assurer que le pare-main inférieur fonctionne. Sélectionner la lame appropriée au matériau à découper.

- Mesurer et marquer le bois à découper.
- Soutenir et fixer correctement l'ouvrage (voir Règles de sécurité et instructions).
- Utiliser le matériel de sécurité approprié et requis (voir Règles de sécurité).
- Sécuriser et entretenir la zone de travail (voir Règles de sécurité).
- Après avoir inséré la fiche et fermé le

pare-main, s'assurer que l'interrupteur fonctionne.

⚠ AVERTISSEMENT : pour éviter toute blessure corporelle, soutenir correctement la pièce et tenir fermement la scie pour empêcher une perte de maîtrise de l'outil. La **Figure 3** illustre la position de main recommandée.

FIXER ET ENLEVER LE GUIDE LONGITUDINAL (FOURNI AVEC LE MODÈLE CS1040L) (FIG. 14)

Le guide longitudinal est utilisé pour scier en ligne droite parallèlement au bord de la pièce à travailler.

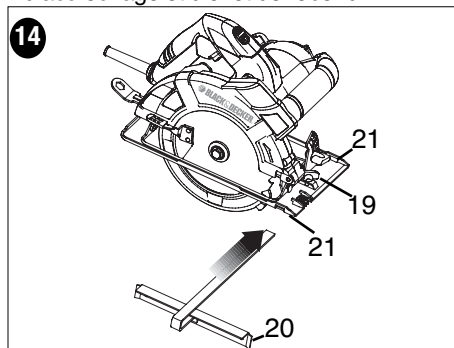
FIXATION

- Desserrer la poignée de blocage (19).
- Insérer le guide longitudinal (20) dans les ouvertures (21).
- Faire glisser le guide longitudinal dans la position souhaitée.
- Resserrer la poignée de verrouillage.

RETRAIT DE LA FRAISE

- Desserrer la poignée de blocage.
- Retirer le guide longitudinal de l'outil.

REMARQUE : si vous n'avez pas de guide longitudinal approprié, utilisez une règle droite en contact avec l'arête du sabot de la scie pour améliorer la précision de la découpe et réduire la possibilité d'accrochage et d'effet de rebond.



FONCTIONNEMENT

INTERRUPTEUR

- Pour faire fonctionner l'outil, enfoncer la détente (1). L'outil continuera de fonctionner tant que la détente sera enfoncée.
- Pour l'éteindre, relâcher simplement la détente. Il n'est pas possible de bloquer l'outil en positionnement de marche, et la détente ne doit jamais être bloquée par aucun moyen.

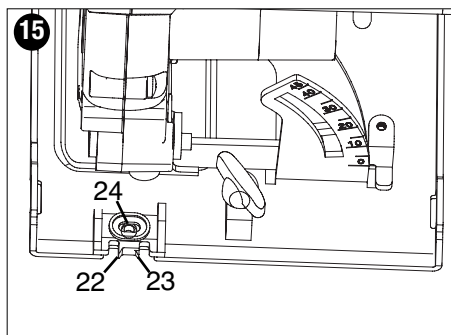
RÉGLAGE DE LA PLAQUE DE TRAIT DE SCIE (FIG. 15)

L'outil est équipé d'un guide pour des coupes droites (22) et pour des coupes à onglet de 45° (23).

- S'assurer que la scie est débranchée.
- Régler la plaque de trait de scie comme indiqué ci-dessous.
- Aligner le bord gauche des guides (22) ou (23) sur la ligne de coupe.
- La plaque de trait doit rester alignée sur la ligne de coupe pendant que vous sciez.
- Travailler en appuyant le patin sur la pièce.

RÉGLAGE DE LA PLAQUE DE RETRAIT

- Brancher la scie.
- Faire un test de coupe sur un déchet de découpe.
- Retirer la scie pour que la ligne de coupe soit visible.
- Tout en maintenant la scie dans cette position, débrancher la scie et desserrer la plaque de retrait du sabot de la scie.



- Aligner le repère 0° (22) sur la plaque de retrait avec la ligne de découpe. Lors d'un réglage pour des coupes à onglets de 45°, aligner le repère 45° (23) sur la plaque de retrait avec la ligne de coupe.
- Fixer la plaque de retrait avec la vis (24).

TRAIT LASER

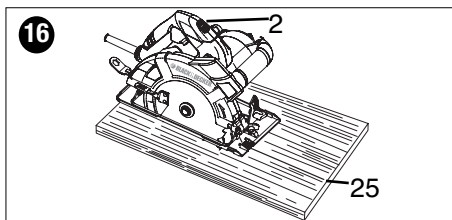
⚠ AVERTISSEMENT : RAYONNEMENT LASER. Ne jamais diriger le faisceau vers un ouvrage comportant une surface réfléchissante. Les feuilles d'acier brillant et réfléchissant et les autres surfaces réfléchissantes similaires ne sont pas recommandées pour une utilisation avec le laser. Les surfaces réfléchissantes peuvent rediriger le faisceau vers l'opérateur.

⚠ DANGER: RAYONNEMENT LASER. ÉVITER TOUT CONTACT DIRECT AVEC LES YEUX. Ne pas regarder vers la source de lumière du laser. Ne jamais diriger la lumière vers une autre personne ou vers tout autre objet que votre ouvrage. La lumière du laser peut endommager les yeux.

⚠ AVERTISSEMENT : NE PAS UTILISER de verres teintés pour augmenter la lumière du laser. Les verres teintés réduisent la vision globale de l'application et interfèrent avec le fonctionnement normal de l'outil.

INTERRUPTEUR DU LASER (FIG. 16)

Pour allumer le laser, pousser l'interrupteur marche/arrêt (2) du laser vers l'avant pour activer le trait laser comme illustré à la **figure 16**.



POUR UTILISER LE TRAIT LASER

- Marquer sur l'ouvrage la ligne que vous souhaitez découper.
- Régler comme nécessaire la profondeur et l'angle de découpe.
- Mettre l'interrupteur du laser (2) en position « MARCHE » et projeter le faisceau du laser.
- Appuyer sur la détente de la scie (1) et laisser la lame atteindre son régime maximum.
- Placer le sabot de la scie sur l'ouvrage. Aligner la raie laser avec la marque de l'ouvrage et pousser lentement la scie vers l'avant tout en laissant la raie laser sur la marque.
- Après avoir terminé la découpe, relâcher la détente et laisser la lame de scie s'arrêter complètement avant d'éteindre le laser.

SCIAGE

⚠ AVERTISSEMENT : pour réduire le risque de blessure, toujours tenir l'outil des deux mains.

- Laisser la lame fonctionner librement quelques secondes avant de commencer la coupe.
- Appuyer légèrement sur l'outil tout en effectuant la coupe.
- Travailler en appuyant le patin sur la pièce.

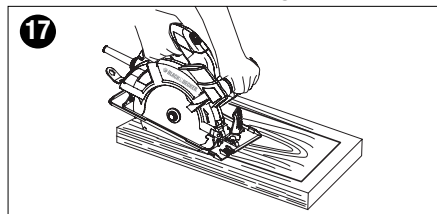
CONSEILS POUR UNE UTILISATION OPTIMALE

- Comme il est impossible d'éviter des éclats le long de la ligne de coupe sur la partie supérieure de l'ouvrage, couper sur le côté où les éclats sont tolérés.
- Lorsque les éclats doivent être limités, par exemple lors de la coupe de stratifiés, fixer une planche de contreplaqué sur la partie supérieure de l'ouvrage.

DÉCOUPE EN POCHE (FIG.17)

LA DÉCOUPE EN POCHE EST UTILISÉE POUR DÉCOUPER UN TROU DANS UN MORCEAU DE MATÉRIAU SANS DÉCOUPER À PARTIR DU BORD.

- Mesurer et marquer l'ouvrage.
- Incliner la scie vers l'avant et reposer l'avant du sabot de la scie sur le matériau à couper. Aligner la scie de façon à ce que la découpe commence à l'arrière du rectangle dessiné, comme indiqué sur la **figure 17**.



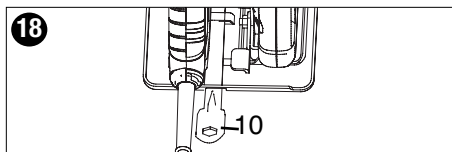
- En utilisant le levier de rétraction, rétracter le pare-main de la lame en position verticale, avec la lame légèrement au-dessus de matériau, lancer le moteur et abaisser progressivement la scie dans le matériau.

⚠ AVERTISSEMENT : lorsque la lame commence à couper le matériau, relâcher immédiatement le levier de rétraction.

- Ne jamais fixer le protège-lame en position élevée.
- Lorsque le sabot de la scie repose à plat sur le matériau découpé, terminer la découpe vers l'avant.
- Laisser la lame s'arrêter complètement avant de lever la scie du matériau.
- Lors de l'entame de chaque nouvelle découpe, répéter la procédure ci-dessus.

RANGEMENT DE LA CLÉ (FIG.18)

La clé de lame (10) peut être rangée dans le sabot de la scie comme illustré à la **figure 18**.



ENTRETIEN

N'utiliser qu'un détergent doux et un chiffon humide pour nettoyer l'outil. Ne jamais laisser de liquide pénétrer dans l'outil et n'immerger aucune partie de l'outil dans un liquide.

IMPORTANT : pour garantir la SÉCURITÉ et la FIABILITÉ du produit, les réparations, l'entretien et le réglage (autre que ceux énumérés dans ce mode d'emploi) doivent être réalisés par un centre de réparation autorisé ou tout autre centre de réparation professionnel, et les des pièces de rechange identiques doivent être utilisées.

LUBRIFICATION

Les outils **Black & Decker** sont correctement graissés en usine et sont prêts à l'emploi.

ACCESSOIRES

Les accessoires recommandés pour être utilisés avec votre outil sont disponibles chez votre détaillant local.

⚠ AVERTISSEMENT : l'utilisation de tout accessoire non recommandé avec l'outil pourrait s'avérer dangereuse. N'utiliser que des lames de 185 mm (7 1/4 po) avec un axe de 15 mm (5/8 po) de diamètre. Exception : des lames abrasives de 175 mm (7 po) peuvent être utilisées.

Lors de la découpe de métal, faire attention aux étincelles chaudes projetées par la lame.

INFORMATION SUR LES RÉPARATIONS

Tous les centres de réparation Black & Decker sont dotés de personnel qualifié en matière d'outillage électrique; ils sont donc en mesure d'offrir à leur clientèle un service efficace et fiable. Que ce soit pour un avis technique, une réparation ou des pièces de rechange authentiques installées en usine, communiquer avec l'établissement Black & Decker le plus près de chez vous. Pour trouver l'établissement de réparation de votre région, consulter le répertoire des Pages jaunes à la rubrique « Outils électriques » ou composer le numéro suivant : **1-800-544-6986** ou consulter le site **www.blackanddecker.com**

GARANTIE COMPLÈTE DE DEUX ANS POUR UNE UTILISATION DOMESTIQUE

Black & Decker (É.-U.) Inc. garantit ce produit pour une durée de deux ans contre tout défaut de matériau ou de fabrication. Le produit défectueux sera remplacé ou réparé sans frais de l'une des deux façons suivantes :

La première façon consiste en un simple échange chez le détaillant qui l'a vendu (pourvu qu'il s'agisse d'un détaillant participant). Tout retour doit se faire durant la période correspondant à la politique d'échange du détaillant (habituellement, de 30 à 90 jours après l'achat). Une preuve d'achat peut être requise. Vérifier auprès du détaillant pour connaître sa politique concernant les retours hors de la période définie pour les échanges.

La deuxième option est d'apporter ou d'envoyer le produit (transport payé d'avance) à un centre de réparation autorisé ou à un centre de réparation de Black & Decker pour faire réparer ou échanger le produit, à notre discrétion. Une preuve d'achat peut être requise.

Les centres Black & Decker et les centres de service autorisés sont répertoriés dans les pages jaunes, sous la rubrique « Outils électriques ».

Cette garantie ne s'applique pas aux accessoires. Cette garantie vous accorde des droits légaux spécifiques et vous pourriez avoir d'autres droits qui varient d'un État ou d'une province à l'autre. Pour toute question, communiquer avec le directeur du centre de réparation Black & Decker le plus près de chez vous. Ce produit n'est pas destiné à un usage commercial.

REPLACEMENT GRATUIT DES ÉTIQUETTES D'AVERTISSEMENT : si les étiquettes d'avertissement deviennent illisibles ou sont manquantes, composer le **1-800-544-6986** pour en obtenir le remplacement gratuit.

DÉPANNAGE

Problème

- L'appareil refuse de démarrer.

Cause possible

- Cordon d'alimentation non branché.
- Le fusible du circuit est grillé.

Solution possible

- Brancher l'outil dans une prise qui fonctionne.
- Remplacer le fusible du circuit. (Si le produit fait griller de façon répétée le fusible du circuit, arrêter immédiatement d'utiliser le produit et le faire réparer dans un centre de réparation Black & Decker ou un centre de réparation autorisé.)
- Remettre le disjoncteur à zéro. (Si le produit fait déclencher de façon répétée le disjoncteur, arrêter immédiatement d'utiliser le produit et le faire réparer dans un centre de réparation Black & Decker ou un centre de réparation autorisé.)
- Faire remplacer le cordon ou l'interrupteur au centre de réparation Black & Decker ou à un centre de réparation autorisé.

- Le disjoncteur est déclenché.

- Le cordon d'alimentation ou la prise de courant est endommagé(e).

Pour obtenir de l'aide avec l'outil, consulter notre site Web www.blackanddecker.com pour l'emplacement du centre de réparation le plus près ou communiquer avec l'assistance **BLACK & DECKER** au **1-800-544-6986**.

CARACTÉRISTIQUES TECHNIQUES DU LASER :

Longueur d'onde de la diode du laser :	633-670nm (couleur rouge)
Classe du laser :	IIIa
Température de fonctionnement :	5 °C (41 °F) - 40 °C (104 °F)
Précision :	+/- 1,8 mm à chaque 300 mm

Imported by / Importé par
Black & Decker Canada Inc.
100 Central Ave.
Brockville (Ontario) K6V 5W6

Voir 'Outils électriques'
– Pages Jaunes –
pour Service et ventes

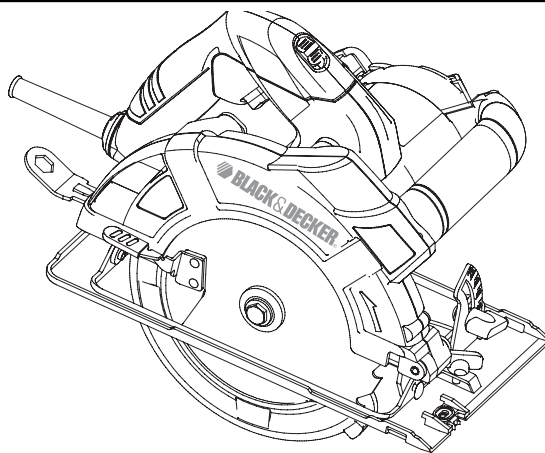




Sierras circulares de 185 mm (7-1/4")

MANUAL DE INSTRUCCIONES

Número de catálogo
CS1030L / CS1040L



¡GRACIAS POR ELEGIR BLACK & DECKER!
VAYA A WWW.BLACKANDDECKER.COM/NEWOOWNER
PARA REGISTRAR SU NUEVO PRODUCTO.

**ANTES DE DEVOLVER ESTE PRODUCTO POR
CUALQUIER MOTIVO, LLAME AL
(55)5326-7100**

ANTES DE LLAMAR, TENGA EL NÚMERO DE CATÁLOGO Y EL CÓDIGO DE FECHA PREPARADOS.
EN LA MAYORÍA DE LOS CASOS, UN REPRESENTANTE DE BLACK & DECKER PUEDE RESOLVER
EL PROBLEMA POR TELÉFONO. SI DESEA REALIZAR UNA SUGERENCIA O COMENTARIO,
LLÁMENOS. SU OPINIÓN ES FUNDAMENTAL PARA BLACK & DECKER.

CONSERVE ESTE MANUAL PARA FUTURAS CONSULTAS.

NORMAS GENERALES DE SEGURIDAD

⚠️ ADVERTENCIA: Lea y comprenda todas las instrucciones. El incumplimiento de todas y cada una de las instrucciones enumeradas debajo puede provocar descarga eléctrica, incendio o lesiones personales graves.

CONSERVE ESTAS INSTRUCCIONES

ÁREA DE TRABAJO

- **Mantenga el área de trabajo limpia y bien iluminada.** Los bancos de trabajo abarrotados y las áreas oscuras propician accidentes.
- **No opere herramientas eléctricas en atmósferas explosivas, como ambientes donde se encuentran líquidos, gases o polvo inflamables.** Las herramientas eléctricas originan chispas que pueden encender el polvo o los vapores.
- **Mantenga a los espectadores, niños y visitantes lejos de la herramienta eléctrica en funcionamiento.** Las distracciones pueden provocar la pérdida de control.

SEGURIDAD ELÉCTRICA

- **Las herramientas con doble aislamiento están equipadas con un enchufe polarizado (una hoja es más ancha que la otra).** Este enchufe se ajustará en un tomacorriente polarizado de una sola manera. Si el enchufe no se ajusta totalmente en el tomacorriente, invierta el enchufe. Si aun así no se ajusta bien, busque un electricista experto para que instale un tomacorriente polarizado. **No cambie el enchufe de ninguna manera.** El doble aislamiento elimina la necesidad de un cable eléctrico de tres conductores con puesta a tierra y de un sistema de puesta a tierra.
- **Evite el contacto corporal con superficies puestas a tierra, como por ejemplo tuberías, radiadores, cocinas y refrigeradores.** Existe mayor riesgo de descarga eléctrica si su cuerpo está puesto a tierra.

- **No exponga las herramientas eléctricas a la lluvia o a condiciones de humedad.** Si ingresa agua a una herramienta eléctrica, aumentará el riesgo de descarga eléctrica.
- **No maltrate al cable. Nunca use el cable para transportar las herramientas ni tire del enchufe para sacarlo del tomacorriente. Mantenga el cable lejos del calor, aceite, bordes afilados o piezas móviles. Reemplace los cables dañados en forma inmediata.** Los cables dañados aumentan el riesgo de descarga eléctrica.
- **Cuando opere una máquina herramienta a la intemperie, utilice un cable prolongador marcado "W-A" o "W".** Estos prolongadores están clasificados para ser usados a la intemperie y reducen el riesgo de descarga eléctrica.

Calibre mínimo para cables prolongadores

Voltios	Largo total del cable en pies			
	0-25	26-50	51-100	101-150
120V				
240V	0-50	51-100	101-200	201-300

Capacidad nominal en amperios

Más que	No más que		AWG		
0-	6	18	16	16	14
6 -	10	18	16	14	12
10-	12	16	16	14	12
12-	16	14	12	No recomendado	

SEGURIDAD PERSONAL

- **Permanezca alerta, controle lo que está haciendo y utilice el sentido común cuando emplee una herramienta eléctrica. No utilice herramientas si está cansado o bajo el efecto de drogas, alcohol o medicamentos.** Un momento de descuido mientras se opera una herramienta eléctrica podría provocar daños personales graves.
- **Vístase apropiadamente. No use ropas sueltas ni joyas. Sujete el cabello largo. Mantenga el cabello, las ropas y los guantes alejados de las piezas móviles.** Las ropas sueltas, las joyas o el cabello largo pueden quedar atrapados en las piezas móviles. Se deben evitar los orificios de ventilación, que cubren piezas móviles.
- **Evite el encendido por accidente.**

Asegúrese de que el interruptor esté apagado antes de enchufar la herramienta. Si transporta herramientas con su dedo apoyado sobre el interruptor o conecta una herramienta con el interruptor en posición de encendido, puede propiciar accidentes.

- **Retire las llaves de ajuste o de tuercas antes de encender la herramienta.** Una llave de tuercas o de ajuste que se deje conectada a una pieza giratoria de la herramienta podría provocar lesiones personales.
- **No se estire. Conserve el equilibrio adecuado y manténgase parado correctamente en todo momento.** Mantener el equilibrio adecuado mientras se está de pie permite un mejor control de la herramienta en situaciones inesperadas.
- **Use equipo de seguridad. Siempre utilice protección para los ojos.** Se debe usar máscara para polvo, calzado de seguridad antideslizante, casco, o protección auditiva según corresponda en cada caso.

USO Y CUIDADO DE LA HERRAMIENTA

- **Utilice abrazaderas u otra forma práctica para asegurar y sostener la pieza de trabajo en una plataforma estable.** Sostener el trabajo con la mano o contra el cuerpo no asegura estabilidad y puede provocar pérdida del control.
- **No fuerce la herramienta. Utilice la herramienta correcta para el trabajo que realizará. La herramienta correcta hará el trabajo mejor y más seguro a la velocidad para la que fue diseñada.**
- **No utilice la herramienta si el interruptor no la enciende ni la apaga. Toda herramienta que no puede ser controlada mediante el interruptor es peligrosa y debe ser reparada.**
- **Desconecte el enchufe de la fuente de energía antes de realizar ningún ajuste, cambiar accesorios o guardar la herramienta.** Estas medidas de seguridad preventivas reducen el riesgo de encender la herramienta en forma accidental.
- **Guarde las herramientas que no están en uso fuera del alcance de los niños y de personas no entrenadas.** Las herramientas son peligrosas en las manos de usuarios no entrenados.
- **Haga un mantenimiento cuidadoso de las herramientas. Mantenga las herramientas de corte afiladas y**

limpias. Las herramientas con mantenimiento adecuado, con los bordes de corte afilados son menos propensas a trabarse y son más fáciles de controlar.

- **Controle que no haya piezas móviles mal alineadas o trabadas, piezas rotas y toda otra situación que pueda afectar el funcionamiento de la herramienta. Si encuentra daños, haga reparar la herramienta antes de utilizarla.** Se producen muchos accidentes a causa de las herramientas que carecen de un mantenimiento adecuado.
- **Utilice sólo accesorios recomendados por el fabricante para el modelo que posee.** Los accesorios que pueden ser aptos para una herramienta, pueden convertirse en un factor de riesgo cuando se los utiliza en otra herramienta.

MANTENIMIENTO

- **El mantenimiento de la herramienta debe ser realizado únicamente por personal de reparaciones calificado.** El mantenimiento realizado por personal no calificado puede provocar riesgo de lesiones personales.
- **Al reparar una herramienta, sólo utilice piezas de repuesto idénticas. Siga las instrucciones de la sección Mantenimiento de este manual.** El uso de piezas no autorizadas o el incumplimiento de las instrucciones de mantenimiento pueden crear riesgo de descarga eléctrica o lesiones.

NORMAS DE SEGURIDAD ESPECÍFICAS

- ⚠ **¡PELIGRO! Mantenga las manos lejos de las zonas de corte y de la hoja. Mantenga la otra mano en la agarradera auxiliar o sobre la cubierta del motor.** Si se sostiene la sierra con ambas manos, no hay riesgo de que la hoja las corte.
- **Mantenga el cuerpo de uno u otro lado de la hoja de la sierra, nunca en línea con la misma.** El RETROCESO podría despedir la sierra hacia atrás. (Consulte "Causas del retroceso y su prevención por parte del operador").
- **No introduzca ninguna parte del cuerpo debajo del trabajo.** Debajo del trabajo, el protector no lo protege de la hoja.
- **Verifique que el protector inferior cierre correctamente antes de cada uso. No opere la sierra si el protector**

inferior no se mueve libremente y se cierra instantáneamente. Nunca ate o asegure el protector inferior en la posición de abierto. Si se deja caer accidentalmente la sierra, el protector inferior se puede doblar. Levante el protector inferior con la agarradera retráctil y asegúrese de que se mueve libremente y de que no toca la hoja ni ninguna otra pieza, en todos los ángulos y profundidades de corte.

- **Verifique el funcionamiento y el estado del resorte del protector inferior. Si el protector y el resorte no funcionan correctamente, se les debe realizar mantenimiento antes de utilizar la herramienta.** El protector inferior puede funcionar con lentitud debido a piezas dañadas, depósitos gomosos o la acumulación de restos.
- **Sólo se debe replegar manualmente el protector inferior para cortes especiales, como los "cortes internos" y los "cortes compuestos". Levante el protector inferior mediante la agarradera retráctil. Tan pronto la hoja entre al material, se debe soltar el protector inferior.** Para todo otro tipo de corte, el protector inferior debe funcionar automáticamente.
- **Observe siempre que el protector inferior cubra la hoja antes de colocar la sierra sobre el banco o el piso.** Una hoja sin protección, que conserva su movimiento por inercia, puede provocar que la sierra se deslice, cortando todo lo que encuentre a su paso. Conozca el tiempo requerido para que la hoja se detenga después de soltar el interruptor.
- **NUNCA sostenga la pieza que está cortando con las manos o contra las piernas.** Es importante sostener el trabajo correctamente para reducir al mínimo la exposición del cuerpo, el atascamiento de la hoja y la pérdida del control.
- **Sostenga la herramienta por las superficies de agarre aisladas cuando realiza una operación donde la herramienta de corte puede tocar cables eléctricos ocultos o su propio cable.** El contacto con un cable con "corriente eléctrica" hará que las partes metálicas expuestas de la herramienta también tengan "corriente eléctrica" y el operador sufra una descarga eléctrica.
- **Cuando corte longitudinalmente, utilice siempre una guía para corte longitudinal (a favor de la veta) o una guía para bordes rectos.** Mejora la precisión del corte y reduce la posibilidad de que la hoja se atasque.

- **Utilice siempre hojas con el orificio para portaherramienta de la medida y la forma correctas (romboidal versus circular).** Las hojas que no coinciden con el sistema de montaje de la sierra funcionarán de forma excéntrica y provocarán pérdida del control.
- **Nunca utilice arandelas o pernos de hoja dañados o incorrectos.** Las arandelas y pernos de hoja se diseñaron especialmente para su sierra, para obtener el mejor rendimiento y la mayor seguridad de operación.

CAUSAS DEL RETROCESO Y SU PREVENCIÓN POR PARTE DEL OPERADOR

- El retroceso es una reacción repentina al pellizco, el atascamiento o la desalineación de una hoja de la sierra, que causa que la sierra sin control salte del trabajo hacia el operador.
- Cuando el corte se cierra, pellizca o atasca la hoja, la misma se detiene y la reacción del motor impulsa a la unidad hacia atrás con rapidez, hacia el operador.
- Si la hoja se tuerce o se desalinea en el corte, los dientes del borde posterior de la hoja se clavan en la superficie de la madera y provocan que la hoja salte del corte y retroceda contra el operador.
- El retroceso es el resultado de un mal uso de la herramienta o de condiciones o procedimientos operativos incorrectos y se puede evitar tomando las precauciones apropiadas que se indican a continuación.
 - a. **Agarre la sierra con firmeza con ambas manos y coloque el cuerpo y el brazo de manera que le permita resistir las fuerzas de RETROCESO.** El operador puede controlar las fuerzas de retroceso, si se toman las precauciones correctas.
 - b. **Cuando se está atascando la hoja, o cuando se interrumpe un corte por alguna razón, suelte el disparador y mantenga la sierra quieta en el material hasta que la hoja se detenga completamente. Nunca intente retirar la sierra del trabajo o tirar de ella hacia atrás mientras la hoja esté en movimiento, o se producirá un RETROCESO.** Investigue y tome las medidas correctivas para eliminar la causa del atascamiento de la hoja.
 - c. **Cuando reinicie una sierra en el trabajo, centre la hoja de la sierra en el corte y verifique que los**

dientes de la misma no estén tocando el material. Si la hoja está atascada, cuando se vuelve a arrancar la herramienta, la misma puede saltarse del trabajo o producir un RETROCESO.

- d. Sujete los paneles grandes para minimizar el riesgo de que la hoja se pellizque y se produzca el RETROCESO.** Los paneles grandes tienden a combarse por su propio peso. Se deben colocar soportes bajo el panel, a ambos lados, cerca de la línea de corte y cerca del borde del panel.
- e. No utilice hojas sin filo o dañadas.** Las hojas sin filo o mal trabadas producen cortes estrechos que provocan una fricción excesiva, atascamiento de la hoja y RETROCESO.
- f. Se deben apretar y asegurar las palancas de bloqueo de la regulación de profundidad y bisel de la hoja antes de comenzar a cortar.** Si la regulación de la hoja cambia mientras se está cortando, puede producirse atascamiento y RETROCESO.
- g. Sea muy cuidadoso cuando realizar un "corte interno" en paredes existentes o en otras zonas ciegas.** La hoja que sobresale puede cortar objetos que provoquen un RETROCESO.

CONSERVE ESTAS INSTRUCCIONES

NORMAS DE SEGURIDAD ADICIONALES SIERRAS CIRCULARES

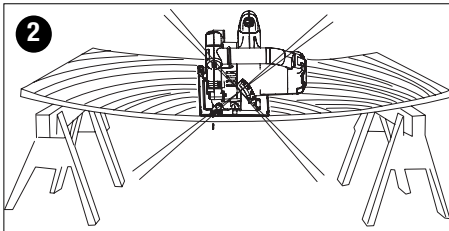
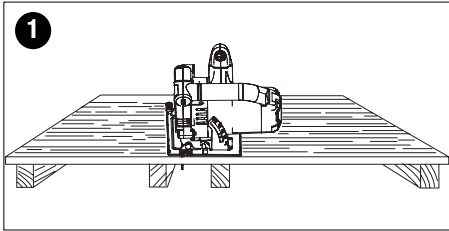
- ⚠ ADVERTENCIA: Algunas partículas originadas al lijar, aserrar, esmerilar, taladrar y otras actividades de construcción contienen productos químicos reconocidos como causantes de cáncer, defectos de nacimiento u otros problemas reproductivos. Algunos ejemplos de estos productos químicos son:**
- el plomo de las pinturas de base plomo,
 - la sílice cristalina de ladrillos, cemento y otros productos de mampostería,
 - el arsénico y el cromo de la madera con tratamiento químico (CCA).
- El riesgo derivado de estas exposiciones

varía, según la frecuencia con la que se realice este tipo de trabajo. Para reducir la exposición a estos productos químicos: se recomienda trabajar en áreas bien ventiladas y usar equipos de seguridad aprobados, como las máscaras para polvo que están diseñadas especialmente para filtrar las partículas microscópicas.

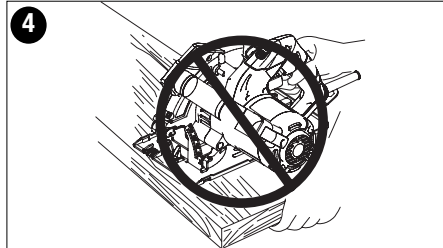
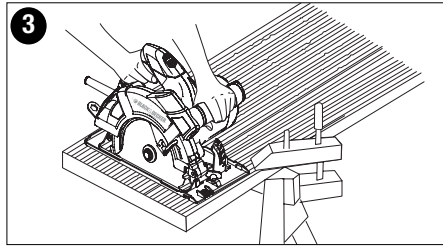
- **Evite el contacto durante tiempo prolongado con las partículas de polvo originadas al lijar, aserrar, esmerilar, taladrar y otras actividades de la construcción. Use ropas protectoras y lave las áreas expuestas con agua y jabón.** El permitir que el polvo entre a la boca o los ojos, o se deposite sobre la piel puede ayudar a la absorción de productos químicos nocivos.
- ⚠ ADVERTENCIA:** El uso de esta herramienta genera o dispersa partículas de polvo, que pueden causar lesiones respiratorias permanentes y graves u otras lesiones. Utilice siempre protección respiratoria aprobada por NIOSH/OSHA (Instituto Nacional de Salud y Seguridad Ocupacional de EE.UU./Administración de la Salud y Seguridad Ocupacional de EE.UU.) apropiada para la exposición al polvo. Aleje las partículas de la cara y el cuerpo.
- ⚠ PRECAUCIÓN: Utilice la protección auditiva apropiada durante el uso. Bajo ciertas condiciones y según el período de uso, el ruido de este producto puede contribuir a la pérdida de audición.**
- **Si el protector inferior se engancha en una superficie debajo del material que se está cortando, se puede reducir momentáneamente el control de la operación.** La sierra se puede salir parcialmente del corte aumentando la posibilidad de que la hoja se tuerza. Asegúrese de que haya suficiente espacio bajo la pieza que está trabajando.
 - **Si es necesario levantar manualmente el protector inferior, utilice la palanca retráctil.**
 - **MANTENGA LAS HOJAS LIMPIAS Y AFILADAS.** Las hojas afiladas reducen los atascamientos y el retroceso al mínimo. El uso de hojas sin filo o sucias puede aumentar la carga de la sierra, haciendo que el operador deba empujar con más fuerza, lo que facilita que la herramienta se tuerza.
- ⚠ PELIGRO: MANTENGA LAS MANOS LEJOS DEL ÁREA DE CORTE.** Mantenga las manos lejos de las hojas. Mientras corta, nunca coloque las manos

en frente o detrás del camino de la hoja. No introduzca ninguna parte del cuerpo debajo del trabajo mientras la hoja está girando. No intente retirar el material cortado mientras la hoja se mueve.

- **SUJETE LOS PANELES GRANDES.** Los paneles grandes se deben sujetar como se muestra (**figura 1**) en este manual para minimizar el riesgo de que la hoja se pellizque y se produzca retroceso. El material sujeto sólo en los extremos (**figura 2**) provocará pellizcos de la hoja. Cuando la operación de corte requiera que se deposite la sierra sobre el trabajo, se depositará la herramienta sobre la sección más grande y se cortará la pieza más pequeña.



- **UTILICE ÚNICAMENTE LAS HOJAS Y LOS COMPONENTES PARA HOJA CORRECTOS MONTAJE DE HOJAS.** No utilice hojas con orificios de medida incorrecta. Nunca utilice arandelas o pernos de hoja defectuosos o incorrectos. Cumpla los procedimientos de armado de la hoja.
- **REGULACIONES.** Antes de cortar, asegúrese de que las regulaciones de profundidad y bisel están apretadas.
- **SOSTENGA Y ASEGURE EL TRABAJO CORRECTAMENTE.** Asegúrese de que el material que se va a cortar esté sujeto con abrazaderas (**figura 3**), sostenido sólidamente y equilibrado sobre una superficie de trabajo fuerte, estable y nivelada. Sostenga el trabajo para que la sección más ancha de la zapata de la sierra esté sobre la sección del material que no caerá cuando se haga el corte. Nunca sostenga la pieza cortada con la mano. (**figura 4**). Puede producirse **RETROCESO** si se pellizca la hoja. Mantenga ambas manos sobre la sierra en todo momento.



- **MANTÉNGASE ALERTA Y EN CONTROL.** Mantenga el cuerpo ubicado a un lado de la hoja. Agarre la sierra con ambas manos y mantenga siempre control sobre la misma. No cambie de mano o la postura del cuerpo mientras la sierra esté funcionando. Tome precauciones para evitar heridas producidas por las piezas cortadas u otros materiales que puedan caer durante la operación.
- ⚠ **PELIGRO: SUELTE EL INTERRUPTOR INMEDIATAMENTE SI LA HOJA SE DOBLA O SI LA SIERRA SE ATASCA - PREVIÉNGASE DE RETROCESOS**
- **SE PUEDE PRODUCIR RETROCESO** Si mientras corta se pellizca, se tuerce o se atasca la hoja de la sierra, o cuando se atasca la sierra. Si la hoja se tuerce o se desalinea en el corte, los dientes del borde posterior de la hoja se clavan en la superficie de la madera y provocan que la hoja salte del corte y retroceda repentinamente contra el operador.

PARA REDUCIR EL RIESGO DE RETROCESO

- Mantenga un agarre firme con ambas manos sobre la sierra, en todo momento.
- Manténgase alerta y en control.
- Sujete los materiales largos que sobresalgan. A medida que se corta el material, el mismo se debilita y se comba, y pellizca la hoja.
- Sujete los paneles grandes como se muestra (**Fig. 1**). El material sujeto sólo en los extremos (**Fig. 2**) provocará pellizcos de la hoja.
- Evite cortar en el aire. El material se combará y pellizcará la hoja.

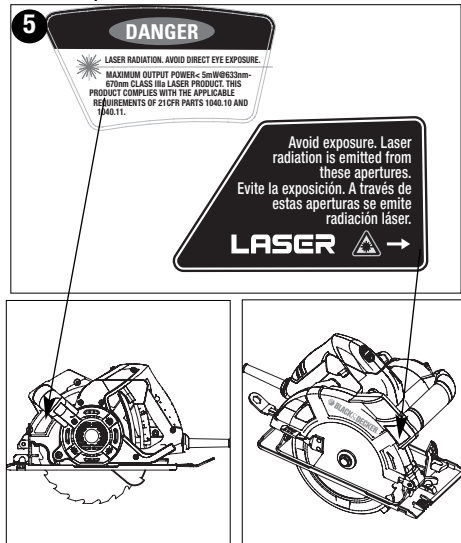
- Mantenga las hojas afiladas y limpias.
 - Cuando realice cortes longitudinales (a favor de la veta) utilice una guía para corte longitudinal o para borde recto. Tenga cuidado, ya que la tira que corta puede combarse o torcerse, cerrando el corte y pellizcando la hoja, lo que provoca RETROCESO.
 - No fuerce la herramienta. Las variables de la madera, como los nudos, la dureza, la resistencia y la humedad, y las maderas tratadas con presión o sin estacionar pueden sobrecargar la sierra, lo que puede provocar atascamiento. Cuando esto ocurre, empuje la sierra más lentamente.
 - No retire la sierra del trabajo durante un corte mientras la hoja se mueva.
 - Permita que la sierra alcance la velocidad máxima antes de poner la hoja en contacto con el material a cortar. Encender la sierra cuando la hoja está contra el trabajo o encajada en el corte puede provocar atascamiento o un movimiento repentino hacia atrás de la herramienta.
 - Nunca intente retirar la sierra mientras realiza un corte en bisel. Esto provocará que la hoja se trabe y se atasque.
 - Siempre asegure el trabajo para evitar que la pieza se mueva mientras corta.
 - No trate de forzar la sierra hacia atrás por la línea de corte si ésta comienza a desviarse. Esto puede provocar RETROCESO. Detenga la sierra y permita que la hoja continúe girando hasta detenerse. Retírela del corte e inicie un nuevo corte sobre la línea.
 - Regule la profundidad de la sierra de manera que sólo un diente de la hoja sobresalga bajo el trabajo, como se muestra en (figura 8).
 - No haga retroceder una hoja en movimiento en el corte. Torcer la sierra puede provocar que el borde posterior de la hoja se encaje en el material, salte del trabajo y retroceda hacia el operador.
 - Evite cortar clavos. Inspeccione si hay clavos. Retire todos los clavos de la madera antes de cortar.
 - Ubique el láser de manera que se evite todo contacto accidental con los ojos.
 - No opere el láser en presencia de niños ni permita que los niños operen el láser.
 - No lo desarme. Cualquier modificación que se realice al producto aumenta el riesgo de radiación láser.
- ⚠ ADVERTENCIA:** La utilización de controles o ajustes o la realización de procedimientos diferentes a los especificados en este manual podría provocar el riesgo de exposición a radiación láser.
- No opere la herramienta en atmósferas explosivas, como ambientes donde se encuentran líquidos, gases o polvo inflamables.
 - Utilice únicamente con las baterías recomendadas específicamente. El uso de cualquier otra fuente de alimentación puede producir riesgo de incendio.
 - Guarde el producto que no se usa fuera del alcance de los niños y de personas no entrenadas. El láser es peligroso en las manos de usuarios no entrenados.
 - Utilice sólo accesorios recomendados por el fabricante para el modelo que posee. Los accesorios correctos para un láser, pueden provocar riesgo de lesiones si se utilizan con otro láser.
 - Las reparaciones y el mantenimiento DEBEN ser realizados por un centro de reparaciones calificado. Las reparaciones realizadas por personal no calificado pueden provocar lesiones graves.
 - No retire ni borre las etiquetas de advertencia. El retiro de las etiquetas aumenta el riesgo de exposición a radiación.
 - Únicamente para uso en interiores.
 - Este producto está diseñado para utilizar con temperaturas entre 5°C (41°F) y 40°C (104°F).
- NOTA:** el láser se regula en la fábrica y no es ajustable.

INSTRUCCIONES DE SEGURIDAD - LÁSERES

- ⚠ PELIGRO: Radiación láser, evite la exposición directa de los ojos, pueden producirse lesiones oculares graves.**
- No utilice herramientas ópticas, como por ejemplo un telescopio o un teodolito para ver el rayo láser.

⚠ PRECAUCIÓN: La utilización de controles o ajustes o la realización de procedimientos diferentes a los especificados en este manual podrían provocar el riesgo de exposición a radiación láser.

La siguientes advertencias con respecto al láser aparecen en su sierra.



La etiqueta de su herramienta puede incluir los siguientes símbolos.

- V voltios
- mW milivatios
- nm longitud de ondas en nanómetros
- IIIa Láser Clase IIIa
- A amperios
- Hz hertz
- W vatios
- min minutos
- ~ corriente alterna
- — — corriente directa
- no velocidad sin carga
- ☐ Construcción Clase II
- .../min revoluciones o reciprocidad por minuto
- ⊕ terminal a tierra
- ⚠ símbolo de alerta de seguridad

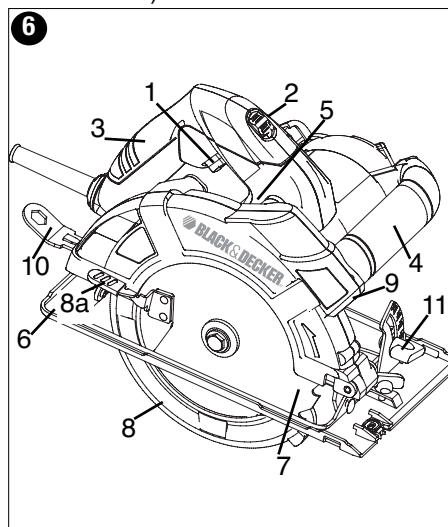
MOTOR

Asegúrese de que el suministro de energía concuerde con lo marcado en la placa. CA 120 voltios significa que su herramienta funcionará con la energía doméstica

estándar de 60 Hz. No haga funcionar herramientas para corriente alterna (CA) con corriente directa (CD). Una capacidad nominal de 120 voltios CA/CD significa que su herramienta funcionará con energía estándar de 60 Hz CA o CD. Esta información está impresa en la placa. Un voltaje menor producirá pérdida de potencia y puede provocar sobrecalentamiento. Todas las herramientas **Black & Decker** se prueban en fábrica. Si esta herramienta no funciona, revise el suministro eléctrico. Esta herramienta es sólo para CA.

DESCRIPCIÓN GENERAL (FIG. 6)

1. Interruptor de encendido/apagado
 2. Interruptor de encendido/apagado del láser
 3. Mango principal
 4. Mango secundario
 5. Botón de bloqueo del eje (CS1040L únicamente)
 6. Zapata
 7. Hoja para sierra
 8. Guarda de hoja para sierra
 - 8a. Palanca retráctil de la guarda de la hoja
 9. Láser
 10. Llave de hoja para sierra
 11. Perilla de regulación de bisel.
- La guía de corte no se muestra (CS1040L únicamente)



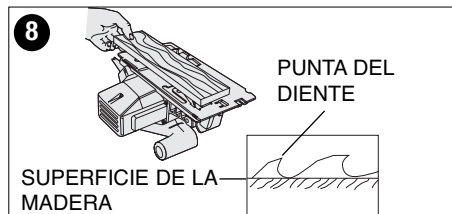
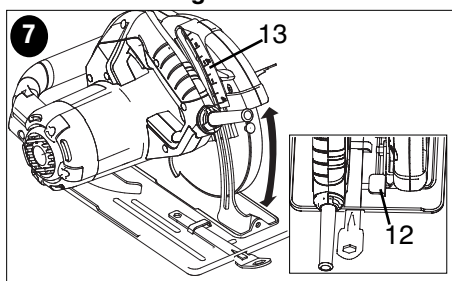
ENSAMBLADO/AJUSTE

⚠ ADVERTENCIA: Desconecte siempre la sierra de la fuente de energía antes de realizar cualquiera de las siguientes operaciones.

AJUSTE DE LA PROFUNDIDAD DE CORTE (FIG. 7 Y 8)

La profundidad de corte debe fijarse en función del grosor de la pieza de trabajo.

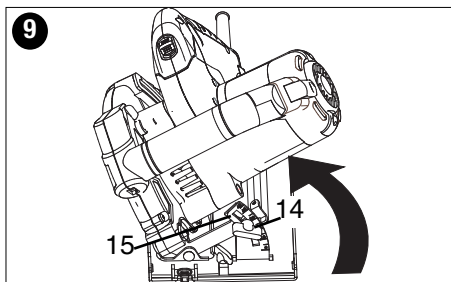
- Afloje la palanca (12) para desbloquear la zapata de la sierra.
- Mueva la zapata de la sierra (6) hasta la posición deseada. La profundidad de corte correspondiente puede leerse en la escala (13).
- Apriete la palanca para bloquear la zapata de la sierra en el lugar.
- Regule la profundidad de la sierra de manera que sólo un diente de la hoja sobresalga bajo el trabajo, como se muestra en la **figura 8**.



AJUSTE DEL ÁNGULO DE BISELADO (FIG. 9)

Esta herramienta puede fijarse para biselar ángulos entre 0° y 45°.

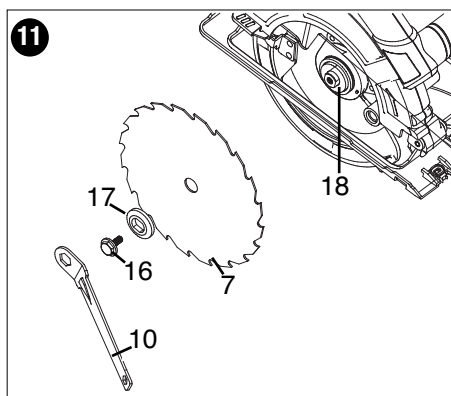
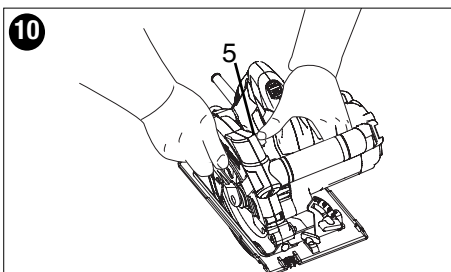
- Afloje la perilla de bloqueo (14) para desbloquear la zapata de la sierra.
- Mueva la zapata de la sierra (6) hasta la posición deseada. El ángulo de biselado correspondiente puede leerse de la escala (15).
- Apriete la perilla para bloquear la zapata de la sierra en su lugar.



CÓMO COLOCAR Y RETIRAR LA HOJA

EXTRACCIÓN DE LA HOJA (CS1040L) (FIG. 10 Y 11)

- Mantenga presionado el botón de bloqueo del eje (5) y gire la hoja hasta que el bloqueo del eje se trabaje.
- Afloje y retire el tornillo que retiene la hoja (16) girándolo en sentido contrario a las agujas del reloj con la llave (10) provista.
- Retire la arandela exterior (17).
- Extraiga la hoja de la sierra (7).



COLOCACIÓN DE LA HOJA (CS1040L)

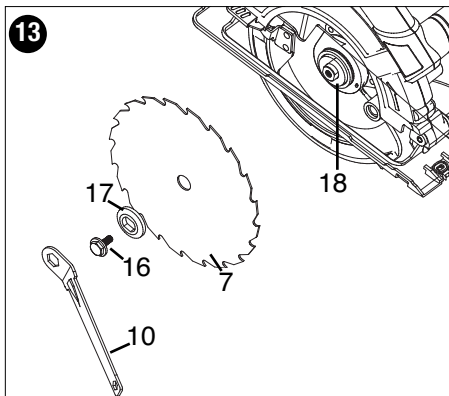
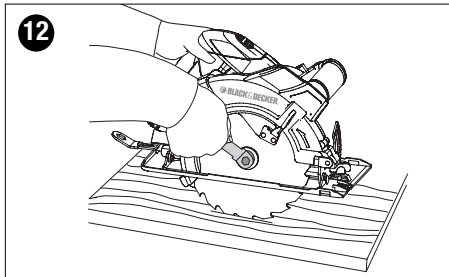
- Coloque la hoja (7) sobre la brida interna (18), asegurándose de que la flecha de la hoja apunte en la misma dirección que la flecha de la herramienta.
- Adapte la arandela exterior (17) al eje; la

parte elevada no debe apuntar a la hoja de la sierra.

- Inserte el tornillo que retiene la hoja (16) en el orificio.
- Mantenga oprimido el botón del bloqueo del eje (5).
- Asegure el tornillo que retiene la hoja girándolo en sentido de las agujas del reloj con la llave (10) provista.

EXTRACCIÓN DE LA HOJA (CS1030L) (FIG. 12 Y 13)

- Evite que el eje gire trabando el diente de la hoja de la sierra en una pieza de madera de descarte.
- Afloje y retire el tornillo que retiene la hoja (16) girándolo en sentido contrario a las agujas del reloj con la llave (10) provista.
- Retire la arandela exterior (17).
- Extraiga la hoja de la sierra (7).



COLOCACIÓN DE LA HOJA (CS1030L)

- Coloque la hoja (7) sobre la brida interna (18), asegurándose de que la flecha de la hoja apunte en la misma dirección que la flecha de la herramienta.
- Adapte la arandela exterior (17) al eje; la parte elevada no debe apuntar a la hoja de la sierra.
- Inserte el tornillo que retiene la hoja (16)

en el orificio.

- Evite que el eje gire trabando el diente de la hoja de la sierra en una pieza de madera de descarte.
- Asegure el tornillo que retiene la hoja girándolo en sentido de las agujas del reloj con la llave (10) provista.

⚠ ADVERTENCIA: Para reducir el riesgo de lesiones personales graves, lea, comprenda y siga todas las advertencias de seguridad y las instrucciones antes de usar la herramienta.

CORTES GENERALES (IMPORTANTE: LEA LAS INSTRUCCIONES Y LAS ADVERTENCIAS DE SEGURIDAD.)

PREVÉNGASE DE RETROCESOS

Con la unidad desenchufada, siga todas las instrucciones de montaje, regulación e instalación.

Asegúrese de que el protector inferior funciona. Seleccione la hoja correcta para el material a cortar.

- Mida y marque el trabajo para cortarlo.
- Sostenga y asegure correctamente el trabajo (consulte las Instrucciones y las Normas de seguridad).
- Utilice los equipos de seguridad apropiados y requeridos (consulte las Normas de seguridad).
- Afirme y sostenga el área de trabajo (consulte las Normas de seguridad).
- Mientras el enchufe está colocado y el protector está cerrado, asegúrese de que el interruptor encienda y apague la sierra.

⚠ ADVERTENCIA: Es importante apoyar bien la pieza sobre la que se trabaja y sostener la sierra firmemente para evitar la pérdida de control, que podría provocar lesiones personales. La **Figura 3** ilustra la postura recomendada para la mano.

COLOCACIÓN Y EXTRACCIÓN DE LA GUÍA DE CORTE (INCLUIDA CON CS1040L) (FIG. 14)

La guía de corte se utiliza para aserrar en una línea derecha paralela al borde de la pieza de trabajo.

COLOCACIÓN

- Afloje la perilla de bloqueo (19).
- Inserte la guía de corte (20) a través de las aberturas (21).
- Deslice la guía de corte a la posición deseada.

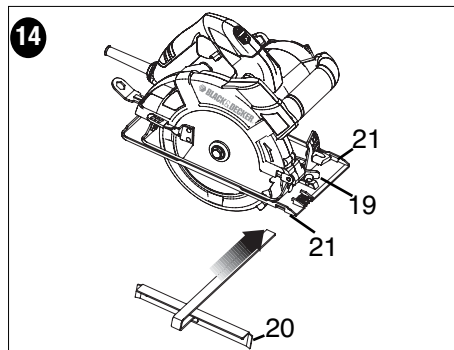
• Ajuste la perilla de bloqueo.

EXTRACCIÓN

- Afloje la perilla de bloqueo.
- Tire de la guía de corte y sáquela de la herramienta.

NOTA: Si no tiene una guía de corte que

calce correctamente, use una guía para bordes rectos en contacto con el borde de la zapata para mejorar la precisión del corte y reducir la posibilidad de atascamiento y retroceso.



FUNCIONAMIENTO

INTERRUPTOR

- Para usar la herramienta, presione el interruptor disparador (1). La unidad funcionará el tiempo que se mantenga oprimido el disparador.
- Para apagar la herramienta, suelte el interruptor disparador (1). No se previó un dispositivo para mantener la herramienta en marcha constante, y nunca se debe trabar el interruptor por ningún medio.

AJUSTE DE LA PLACA DE CORTE (FIG. 15)

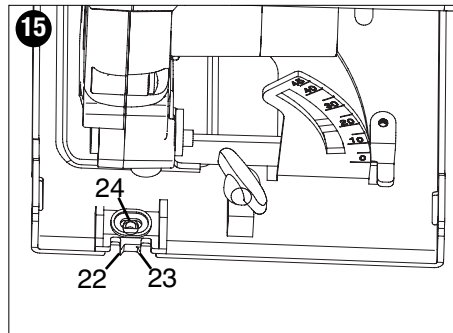
La herramienta está equipada con una mira para cortar en forma recta (22) y para ingletear a 45° (23).

- Asegúrese de que la sierra esté desenchufada.
- Ajuste la placa de corte como se describe a continuación.
- Alinee el borde izquierdo de las guías (22) o (23) con la línea de corte.
- Mantenga la placa de corte alineada con la línea de corte mientras asiera.
- Trabaje con la zapata presionada contra la pieza de trabajo.

AJUSTE DE LA PLACA DE CORTE

- Enchufe la sierra.
- Haga un corte de prueba hasta la mitad de una pieza de madera de descarte.
- Retire la sierra de modo que la línea de corte se haga visible.
- Mantenga la sierra en esta posición, desenchúfela y afloje la placa de corte sobre la zapata de la sierra.
- Alinee la marca de 0° (22) de la placa de corte con la línea de corte. Cuando efectúe los ajustes para el ingleteado en 45°, alinee la marca de 45° de la placa de corte con la línea de corte.

- Asegure la placa de corte con el tornillo (24).



LÍNEA LÁSER

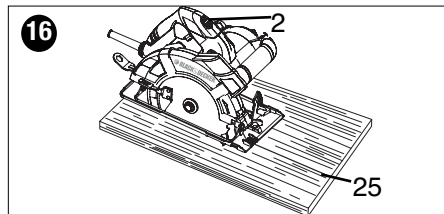
⚠ ADVERTENCIA: RADIACIÓN LÁSER. Nunca apunte el rayo a un trabajo que tenga una superficie reflectante. Se recomienda no usar el láser con láminas de acero brillantes y reflectantes u otras superficies reflectantes similares. Las superficies reflectantes pueden dirigir el rayo hacia el operador.

⚠ PELIGRO: RADIACIÓN LÁSER. EVITE LA EXPOSICIÓN DIRECTA DE LOS OJOS. No mire hacia la fuente de luz láser. Nunca apunte la luz hacia otra persona u objeto que no sea el trabajo. La luz láser puede dañar los ojos.

⚠ ADVERTENCIA: NO utilice anteojos coloreados para aumentar la luz láser. Los anteojos coloreados reducen la visión total para el uso e interfieren con la operación normal de la herramienta.

INTERRUPTOR DEL LÁSER (FIG. 16)

Para encender el láser, empuje el interruptor de encendido/apagado del láser (2) para activar la línea láser (25) como se muestra en la figura 16.



PARA USAR LA LÍNEA LÁSER

- Marque la línea que quiere cortar en el trabajo.
- Regule la profundidad y el ángulo de

corte requeridos.

- Empuje el interruptor de encendido/apagado del láser (2) hasta la posición de encendido y proyecte el haz del láser.
- Presione el interruptor disparador de la sierra (1) y permita que la hoja alcance la velocidad máxima.
- Coloque la zapata de la sierra sobre la pieza de trabajo. Alinee la línea láser con la marca del trabajo y lentamente empuje la sierra hacia adelante manteniendo la línea láser sobre la marca.
- Al terminar el corte, suelte el disparador y permita que la hoja de la sierra se detenga por completo antes de apagar el láser.

ASERRADO

- ⚠ **ADVERTENCIA:** Para reducir el riesgo de lesiones personales graves, siempre sostenga la herramienta con ambas manos.
- Deje que la hoja se mueva libremente algunos segundos antes de empezar a cortar.
- Aplique sólo presión ligera a la herramienta mientras realiza el corte.
- Trabaje con la zapata presionada contra la pieza de trabajo.

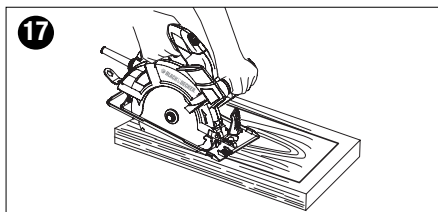
CONSEJOS PARA UN USO ÓPTIMO

- Dado que es imposible que no se formen astillas a lo largo de la línea de corte en la parte superior de la pieza de trabajo, corte en el lado donde es aceptable que haya astillas.
- En los casos donde la formación de astillas debe minimizarse, como en el corte de laminados, sujete una pieza de madera contrachapada sobre la parte superior de la pieza de trabajo.

CORTE INTERNO (FIG.17)

LOS CORTES INTERNOS SE UTILIZAN PARA HACER UN HOYO EN UNA PIEZA DE MATERIAL SIN NECESIDAD DE CORTAR DESDE EL COSTADO

- Mida y marque el trabajo.
- Incline la sierra hacia adelante y apoye el frente de la zapata en el material que desea cortar. Alinee de manera que el corte comience en la parte posterior del rectángulo dibujado que se muestra en la **figura 17**.
- Con la ayuda de la palanca retráctil, repliegue el protector de la hoja a una posición vertical, con la hoja justo fuera del material, encienda el motor e introduzca la sierra gradualmente en el material.

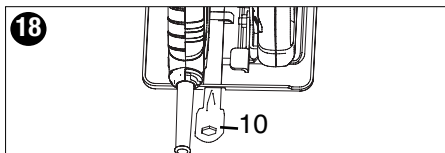


⚠ **ADVERTENCIA:** En cuanto la hoja comience a cortar el material, suelte inmediatamente la palanca retráctil.

- Nunca ate el protector de la hoja en una posición elevada.
- Cuando la zapata esté plana sobre el material que se está cortando, complete el corte hacia adelante.
- Permita que la hoja se detenga completamente antes de levantar la sierra del material.
- Cada vez que inicie un nuevo corte, repita los pasos anteriores.

ALMACENAMIENTO DE LA LLAVE (FIG.18)

La llave de la hoja (10) se puede almacenar en la zapata de la sierra como se muestra en la **figura 18**.



MANTENIMIENTO

Para limpiar la herramienta, sólo utilice jabón suave y un paño húmedo. Nunca permita que penetre líquido dentro de la herramienta ni sumerja ninguna de las piezas en un líquido.

IMPORTANTE: Para garantizar la **SEGURIDAD** y la **CONFIABILIDAD** del producto, las reparaciones, el mantenimiento y los ajustes (los que no estén enumerados en este manual) deben ser realizados por los centros de mantenimiento autorizados u otras organizaciones de mantenimiento calificadas, y siempre deben utilizarse piezas de repuesto idénticas.

LUBRICACIÓN

Las herramientas **Black & Decker** son lubricadas apropiadamente en fábrica y están listas para usar.

ACCESORIOS

Los accesorios que se recomiendan para utilizar con su herramienta están

disponibles en su comercio minorista local.

⚠️ ADVERTENCIA: El uso de accesorios no recomendados para utilizar con esta herramienta puede resultar peligroso. Utilice únicamente hojas de 185 mm (7 1/4") con orificio para portaherramienta de 15,9 mm (5/8"). Excepción: Se pueden usar hojas abrasivas de 175 mm (7").

Al cortar metal, cuídese de las chispas que arroja la hoja.

INFORMACIÓN DE MANTENIMIENTO

Todos los Centros de mantenimiento de Black & Decker cuentan con personal altamente capacitado dispuesto a brindar a todos los clientes un servicio eficiente y confiable en la reparación de herramientas eléctricas. Si necesita consejo técnico, reparaciones o piezas de repuesto originales de fábrica, póngase en contacto con el centro de mantenimiento de Black & Decker más cercano a su domicilio. Para ubicar su centro de servicio local, consulte la sección "Herramientas eléctricas" (Tools-Electric) de las páginas amarillas, llame al **(55)5326-7100** o visite nuestro sitio **www.blackanddecker.com**.

GARANTÍA COMPLETA DE DOS AÑOS PARA USO EN EL HOGAR

Black & Decker (Estados Unidos) Inc. ofrece una garantía de dos años por cualquier defecto del material o de fabricación de este producto. El producto defectuoso se reparará o reemplazará sin costo alguno de dos maneras.

La primera opción, el reemplazo, es devolver el producto al comercio donde se lo adquirió (siempre y cuando se trate de un comercio participante). Las devoluciones deben realizarse conforme a la política de devolución del comercio (generalmente, entre 30 y 90 días posteriores a la venta). Le pueden solicitar comprobante de compra.

Consulte en el comercio acerca de la política especial sobre devoluciones una vez excedido el plazo establecido.

La segunda opción es llevar o enviar el producto (con flete pago) a un Centro de mantenimiento propio o autorizado de Black & Decker para su reparación o reemplazo según nuestro criterio. Le pueden solicitar el comprobante de compra. Los Centros de mantenimiento autorizados y de propiedad de Black & Decker se detallan en la sección "Herramientas eléctricas" (Tools-Electric) de las páginas amarillas de la guía telefónica.

Esta garantía no se extiende a los accesorios. Esta garantía le concede derechos legales específicos; usted puede tener otros derechos que pueden variar según el estado o la provincia. Si tiene alguna pregunta, comuníquese con el gerente del Centro de mantenimiento de Black & Decker de su zona. Este producto no está diseñado para uso comercial.

REEMPLAZO GRATUITO DE LAS ETIQUETAS DE ADVERTENCIAS: si sus etiquetas de advertencia se tornan ilegibles o faltan, llame al **(55)5326-7100** para que se le reemplacen gratuitamente.

DETECCIÓN DE PROBLEMAS

Problema

• La unidad no enciende.

Causa posible

• Cable desenchufado.

• Fusible quemado.

• El interruptor automático está activado.

• Interruptor o cable dañado.

Solución posible

• Enchufe el cargador en un tomacorriente que funcione.

• Reemplace el fusible quemado. (Si repetidamente el producto hace que el fusible del circuito se queme, deje de utilizarlo inmediatamente y haga que le realicen mantenimiento en un centro de mantenimiento Black & Decker o en un centro de servicio autorizado.)

• Reinicie el interruptor automático. (Si repetidamente el producto hace que el fusible del circuito se queme, deje de utilizarlo inmediatamente y haga que le realicen mantenimiento en un centro de mantenimiento Black & Decker o en un centro de servicio autorizado.)

• Haga reparar el cable o el interruptor en un centro de mantenimiento Black & Decker o en un centro de mantenimiento autorizado.

Para conocer la ubicación del centro de mantenimiento más cercano a fin de recibir ayuda con su producto, visite nuestro sitio Web www.blackanddecker.com o llame a la línea de ayuda BLACK & DECKER al **55-5326-7100**

ESPECIFICACIONES TÉCNICAS DEL LÁSER:

Longitud de ondas de diodo del láser:	633 a 670 nm (color rojo)
Clase de láser:	IIIa
Temperatura de funcionamiento:	5°C (41°F) a 40°C (104°F)
Precisión:	+/- 1,8 mm cada 300 mm

Para reparación y servicio de sus herramientas eléctricas, favor de dirigirse al Centro de Servicio más cercano:

CULIACAN, SIN

Av. Nicolás Bravo #1063 Sur
(667) 7 12 42 11
Col. Industrial Bravo

GUADALAJARA, JAL

Av. La Paz #1779
(33) 3825 6978
Col. Americana Sector Juarez

MEXICO, D.F.

Eje Central Lázaro Cardenas
No. 18
(55) 5588 9377
Local D, Col. Obrera

MERIDA, YUC

Calle 63 #459-A
(999) 928 5038
Col. Centro

MONTERREY, N.L.

Av. Francisco I. Madero
No.831
(81) 8375 2313
Col. Centro

PUEBLA, PUE

17 Norte #205
(222) 246 3714
Col. Centro

QUERETARO, QRO

Av. Madero 139 Pte.
(442) 214 1660
Col. Centro

SAN LUIS POTOSI, SLP

Av. Universidad 1525
(444) 814 2383
Col. San Luis

TORREON, COAH

Blvd. Independencia, 96 Pte.
(871) 716 5265
Col. Centro

VERACRUZ, VER

Prolongación Díaz Mirón #4280
(229)921 7016
Col. Remes

VILLAHERMOSA, TAB

Constitución 516-A
(993) 312 5111
Col. Centro

PARA OTRAS LOCALIDADES LLAME AL: (55) 5326 7100

Vea "Herramientas
eléctricas (Tools-Electric)"
- Páginas amarillas -
para Servicio y ventas



BLACK & DECKER S.A. DE C.V.
BOSQUES DE CIDROS ACCESO RADIATAS NO. 42
COL. BOSQUES DE LAS LOMAS.
05120 MÉXICO, D.F.
TEL. 55-5326-7100

ESPECIFICACIONES

CS1030L

Tensión de alimentación: 120V~ Potencia nominal: 1451W
Frecuencia de operacion: 60Hz Consumo de corriente: 13 A

CS1040L

Tensión de alimentación: 120V~ Potencia nominal: 1674W
Frecuencia de operacion: 60Hz Consumo de corriente: 15 A

Free Manuals Download Website

<http://myh66.com>

<http://usermanuals.us>

<http://www.somanuals.com>

<http://www.4manuals.cc>

<http://www.manual-lib.com>

<http://www.404manual.com>

<http://www.luxmanual.com>

<http://aubethermostatmanual.com>

Golf course search by state

<http://golfingnear.com>

Email search by domain

<http://emailbydomain.com>

Auto manuals search

<http://auto.somanuals.com>

TV manuals search

<http://tv.somanuals.com>