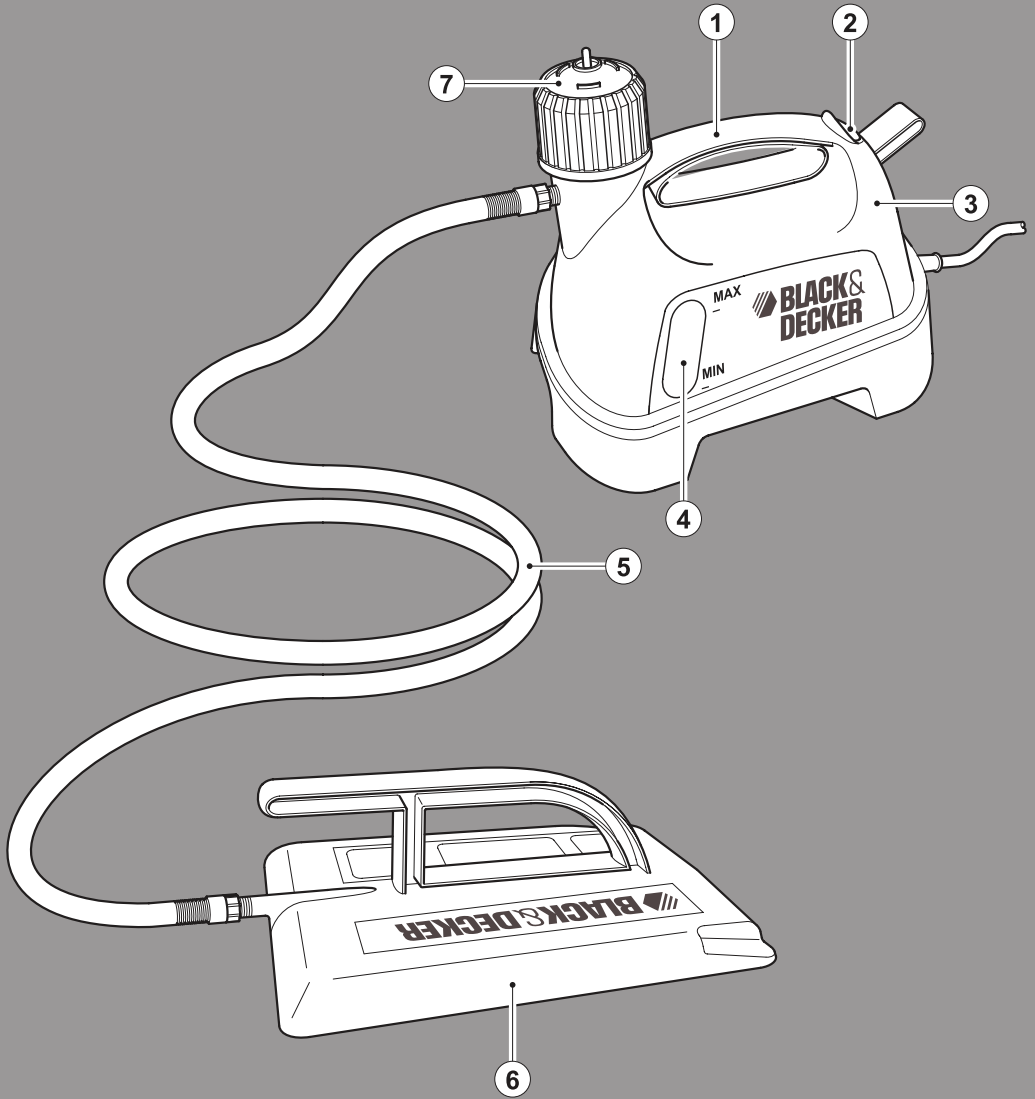




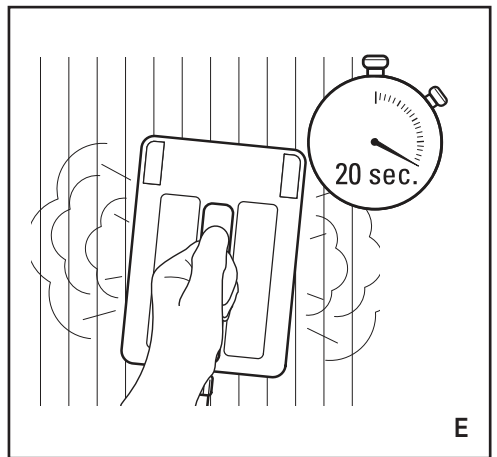
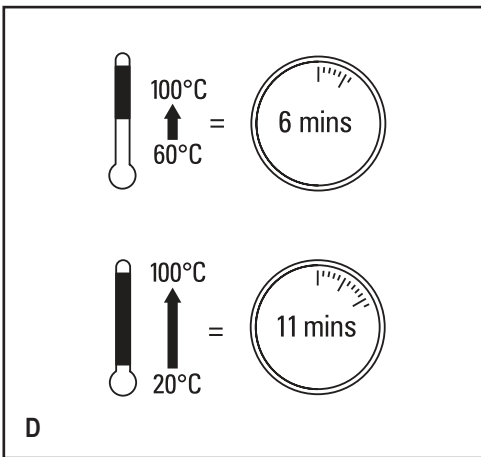
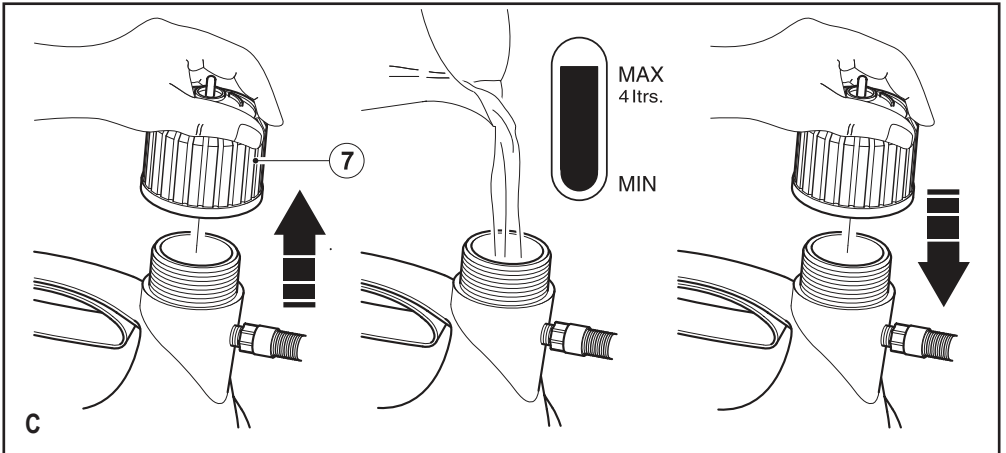
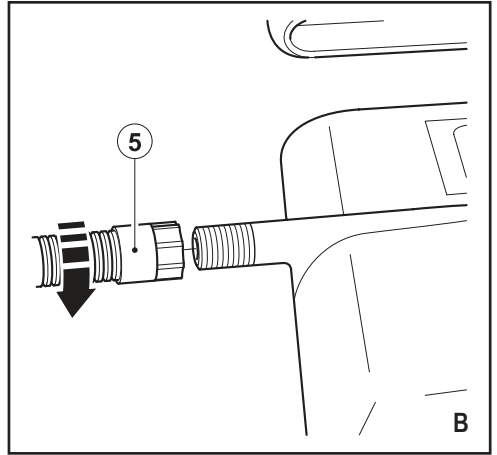
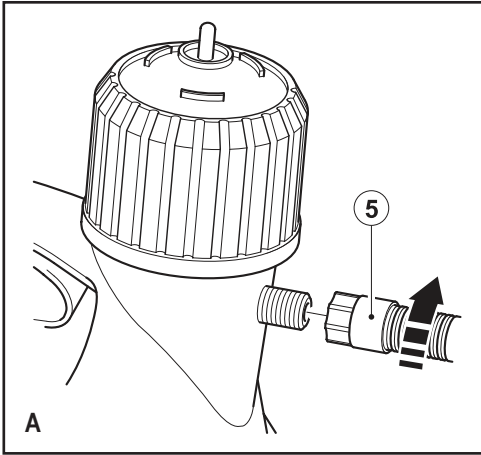
BLACK & DECKER®

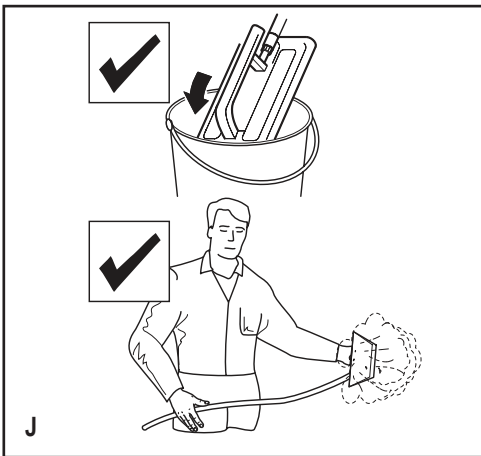
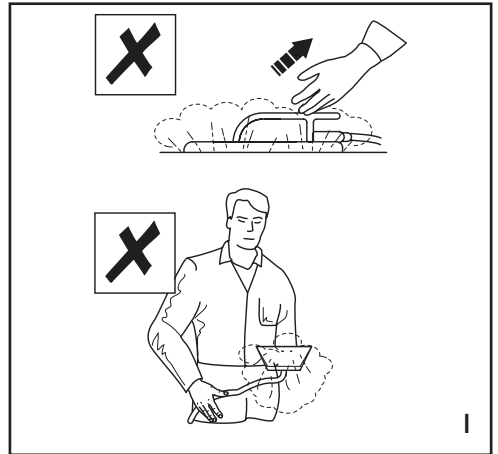
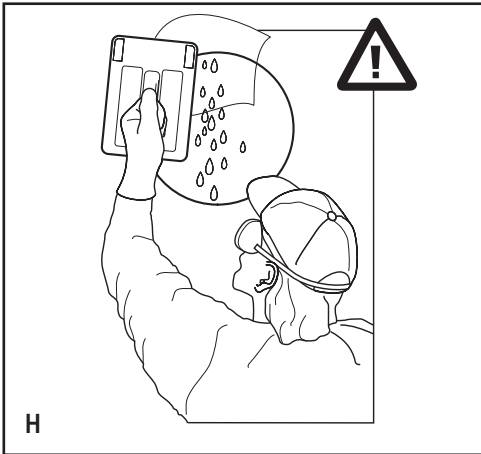
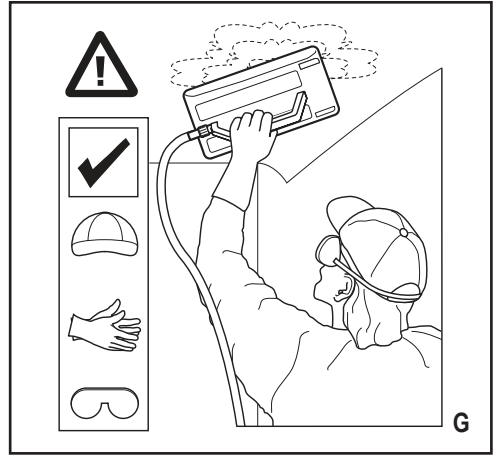
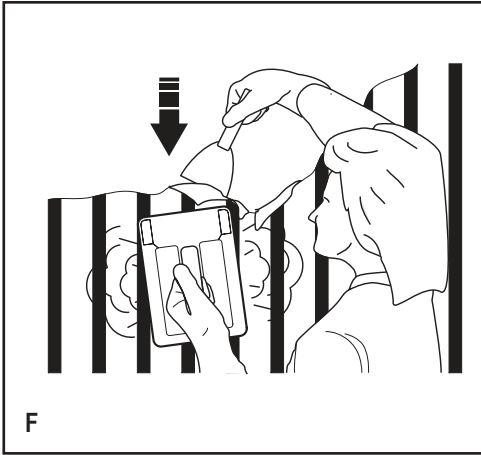
EN



www.blackanddecker.co.uk

KX3300





Intended use

Your Black & Decker wallpaper stripper has been designed for stripping wallpaper. This product is intended for household use only.

Safety instructions



Warning! When using mains-powered appliances, basic safety precautions, including the following, should always be followed to reduce the risk of fire, electric shock, personal injury and material damage.

- ◆ Read all of this manual carefully before using the appliance.
- ◆ The intended use is described in this manual. The use of any accessory or attachment or the performance of any operation with this appliance other than those recommended in this instruction manual may present a risk of personal injury.
- ◆ Retain this manual for future reference.

Using your appliance

- ◆ Always check that the power supply corresponds to the voltage on the rating plate.
- ◆ Make sure that the mains socket is earthed. The manufacturer and dealer cannot accept responsibility for any problems caused by incorrect wiring.
- ◆ Always unplug the appliance before filling the boiler reservoir.
- ◆ Use a Residual Current Device (RCD) protected supply. Use of an RCD reduces the risk of electric shock.
- ◆ Always take care when using the appliance.
- ◆ Disconnect the appliance from the power supply when not in use, before fitting or removing parts and before cleaning.
- ◆ Do not remove the filler cap while the unit is operating. Switch off and allow the appliance to cool for 2 minutes before removing the cap.
- ◆ Do not leave the unit unattended when switched on.
- ◆ Liquid or steam must not be directed towards equipment containing electrical components.
- ◆ Never submerge the unit in water or other liquids or pour water over the unit.
- ◆ Only use clean tap water.
- ◆ Never overfill the water tank past the MAX indicator (maximum 4 litres/7 pints).
- ◆ Make sure that the boiler is placed on a safe and flat surface. Do not tip the boiler as there is a risk of water entering the hose.
- ◆ Never pull the unit by the hose or electric cable.
- ◆ Keep the cable away from heat and sharp edges.

- ◆ Do not place the boiler higher than ground level e.g. on a step ladder or table.
- ◆ Never block the safety valves on the top of the boiler.
- ◆ The boiler and the steam plate become hot during use. Always hold the steam plate and the boiler by the handles provided.
- ◆ Never detach the hose while the unit is switched on. Allow to cool down for 10 minutes.
- ◆ Do not allow the hose to become kinked or blocked by debris. In the event of a hose blockage remove the plug from the wall socket. If the blockage can not be removed, return the unit to your nearest Black & Decker service centre.
- ◆ When removing wallpaper from the ceiling, be careful of condensation collecting in the steam plate. Empty the steam plate regularly and never use directly above your head as hot water may drip.
- ◆ After use, allow the unit to cool down for 10 minutes before emptying and storing. Always store upright in a dry place.
- ◆ When using a ladder always work at comfortable heights and be careful not to overreach.
- ◆ Do not stand on the wallpaper stripper.
- ◆ Never replace the boiler filler cap with a non Black & Decker part. If this should be lost, return the unit to your nearest Black & Decker service centre.
- ◆ If you are using an extension lead it must be rated at a minimum of 13 amps and fully unwound. Do not operate with a lead rated at less than 13 amps as this will cause the cable to overheat. The extension lead used must be a '3 wired-earthed' extension cable.

Safety of others

- ◆ This appliance is not intended for use by persons (including children) with reduced physical, sensory or mental capabilities, or lack of experience and knowledge, unless they have been given supervision or instruction concerning use of the appliance by a person responsible for their safety. Children should be supervised to ensure that they do not play with the appliance.

Safety devices

- ◆ Incorporated in the body of the boiler is a pressure release valve. This will allow steam and some hot water to be emitted should there be excess pressure in the boiler. This could be caused by a blocked hose or overflow condition. In the event of this happening, remove the plug from the wall socket and allow to cool before investigating. Do not, under any circumstances, allow this valve to become blocked.

Note: Under normal use there may be small amounts of steam and water emitted from this valve.

- ◆ The filler cap includes a vacuum release valve which allows air to be taken into the unit if a vacuum is created.

- ◆ The hose has a double wall to reduce the surface temperature.
- ◆ Your unit is fitted with an overheat protection device (thermal cut-out) which will operate if the unit boils dry. Switch off, allow the unit to cool for 2 minutes and refill with water, preferably hot. The cut-out will automatically reset and steam will be produced within 5 to 10 minutes.
- ◆ You should not allow the unit to be tilted as this may result in the overheat protection (thermal cut-out) operating leading to excessive re-set times.
- ◆ In the event of the steam pipe becoming blocked and excess pressure is evident, remove the plug from the electric supply. Do not try to open the filler cap until the unit has been allowed to cool for 2 minutes otherwise an interlock device will be activated inside the cap. The interlock device will reset itself once the unit has cooled thus allowing the cap to be removed.

After use

- ◆ Switch off and remove the plug from the socket before leaving the appliance unattended and before changing, cleaning or inspecting any parts of the appliance.
- ◆ When not in use, the appliance should be stored in a dry place. Children should not have access to stored appliances.

Inspection and repairs

- ◆ Before use, check the appliance for damaged or defective parts. Check for breakage of parts, damage to switches and any other conditions that may affect its operation.
- ◆ Do not use the appliance if any part is damaged or defective.
- ◆ Have any damaged or defective parts repaired or replaced by an authorised repair agent.
- ◆ Before use, check the power supply cord for signs of damage, ageing and wear.
- ◆ Do not use the appliance if the power supply cord or mains plug is damaged or defective.
- ◆ If the power supply cord or mains plug is damaged or defective it must be repaired by an authorised repair agent in order to avoid a hazard. Do not cut the power supply cord and do not attempt to repair it yourself.
- ◆ Never attempt to remove or replace any parts other than those specified in this manual.

Labels

The following safety labels are found on your appliance.



Never pull the unit by the electric cable.



Never pull the unit by the hose.



Never use the steam plate directly above your head as hot water may drip.



Do not leave the unit unattended when switched on.



The steam plate becomes hot during use. Always hold the steam plate by the handle provided.



Danger of scalding, do not direct steam at persons, animals or anything which can be damaged.



Do not place the unit at an angle, do not use the unit on stairs.



The unit must be kept level at all times.

Warning symbols

The following symbols are used in this manual:



Read all of this manual carefully before using your appliance.



Always wear protective gloves.



Always wear eye protection.



Denotes risk of electric shock.



Surfaces may become hot during use and during the cool down period.

Electrical safety



This product must be earthed. Always check that the power supply corresponds to the voltage on the rating plate.

Power plugs must match the outlet. Never modify the plug in any way. Unmodified plugs and matching outlets will reduce the risk of electric shock.

Extension cables & class 1 product

- ◆ A 3 core cable must be used as your appliance is earthed and of class 1 construction.

Features

1. Boiler carrying handle
2. Pressure relief valve
3. Boiler reservoir
4. Water level indication
5. Hose
6. Steam plate
7. Filler cap

Assembly

Fitting the hose (fig. A and B)

- ◆ Screw one end of the hose (5) to the hose connector on the boiler tank. Check that the hose has been connected properly.
- ◆ Connect the other end of the hose (5) to the steam plate. Check that the hose has been connected properly.

Use



Surfaces may become hot in use. The filler cap may be hot during use and during the cool down period.

Initial filling of the boiler reservoir (fig. C)

Warning! Make sure that the appliance is unplugged.

- ◆ Unscrew and remove the filler cap (7).

Note: When filling the boiler, use clean tap water only.

- ◆ Fill the boiler reservoir (3) with water. Do not overfill the reservoir past the MAX indicator (maximum 4 litres).
- ◆ Replace the boiler filler cap (7), do not overtighten.
- ◆ Plug the mains plug into the power supply.

Reaching temperature (fig. D)

- ◆ Depending upon the temperature of the water used to fill the reservoir (3), the appliance will take between 6 and 11 minutes to start producing steam.

Refilling the boiler reservoir

- ◆ Disconnect the appliance from the mains supply.
- ◆ Wait at least 2 minutes for the water to cool and the pressure to decrease before removing the boiler filler cap (7).

Warning! The filler cap may be hot during use and during the cool down period.

- ◆ Unscrew and remove the filler cap (7).
- ◆ Fill the boiler reservoir (3) with clean tap water. Do not overfill the reservoir past the MAX indicator (maximum 4 litres).
- ◆ Replace the boiler filler cap (7), do not overtighten.
- ◆ Plug the mains plug into the power supply.

Using the wallpaper stripper (fig. E)

- ◆ Check the state of your plaster before you start work as high temperature steam can loosen weak, porous or poorly bonded plaster. Plaster is also loosened more readily in areas of cracks, holes or if the steam plate is held in one position for too long.
- ◆ You may be able to detect if you have weak plaster by tapping a few areas of the walls with your knuckles. If this produces a hollow sound, we recommend proceeding only with extreme care.
- ◆ In all cases test out the wallpaper stripper on a small area, about 100 cm², before starting work properly.
- ◆ If at any stage finishing plaster is loosened or you hear a crack, do not continue. The wallpaper stripper is safe for drywall/plaster board surfaces.
- ◆ Due to the heat generated by this product, it is possible that certain surfaces, ie. carpets, soft furniture, table tops, cabinets etc., could be marked or damaged. To prevent this, ensure a wooden board or other barrier is placed under the boiler to prevent the heat damaging the surface. Dust sheets or newspapers are not adequate for this purpose.
- ◆ For best results, remove wallpaper with a scraper. Scrape off wallpaper in a downward direction (fig. F).
- ◆ Always wear protection when removing wallpaper from the ceiling. Be careful of condensation collecting in the steam plate as hot water may drip (fig. G and H). Empty the steam plate regularly and never use directly above your head.
- ◆ Always place the steam plate in a suitable container when left unattended, even for a few seconds, and keep the steam plate facing away from you when in use (fig. I and J).

Storage

- ◆ Allow the appliance to cool for at least 10 minutes.
- ◆ Empty the appliance.
- ◆ Store the appliance upright in a dry place.

Cleaning and Maintenance

Warning! Before performing any maintenance, switch off and unplug the appliance and allow it to cool.

Occasionally rinse the boiler with tap water until it runs clear.

Do not use chemical additives.

Your Black & Decker corded/cordless appliance/tool has been designed to operate over a long period of time with a minimum of maintenance. Continuous satisfactory operation depends upon proper tool care and regular cleaning.

Mains plug replacement (U.K. & Ireland only)

If a new mains plug needs to be fitted:

- ◆ Safely dispose of the old plug.
- ◆ Connect the brown lead to the live terminal in the new plug.
- ◆ Connect the blue lead to the neutral terminal.
- ◆ Connect the green/yellow lead to the earth terminal.

Warning! Follow the fitting instructions supplied with good quality plugs. Recommended fuse: 13 A.

Protecting the environment



Separate collection. This product must not be disposed of with normal household waste.

Should you find one day that your Black & Decker product needs replacement, or if it is of no further use to you, do not dispose of it with household waste. Make this product available for separate collection.



Separate collection of used products and packaging allows materials to be recycled and used again. Re-use of recycled materials helps prevent environmental pollution and reduces the demand for raw materials.

Local regulations may provide for separate collection of electrical products from the household, at municipal waste sites or by the retailer when you purchase a new product.

Black & Decker provides a facility for the collection and recycling of Black & Decker products once they have reached the end of their working life. To take advantage of this service please return your product to any authorised repair agent who will collect them on our behalf.

You can check the location of your nearest authorised repair agent by contacting your local Black & Decker office at the address indicated in this manual. Alternatively, a list of authorised Black & Decker repair agents and full details of our after-sales service and contacts are available on the Internet at: www.2helpU.com

Technical data

		KX3300 (Type 2)
Voltage	V_{AC}	230
Power input	W	2400
Boiler Capacity	l	4
Weight	kg	2.55

Guarantee

Black & Decker is confident of the quality of its products and offers an outstanding guarantee. This guarantee statement is in addition to and in no way prejudices your statutory rights. The guarantee is valid within the territories of the Member States of the European Union and the European Free Trade Area.

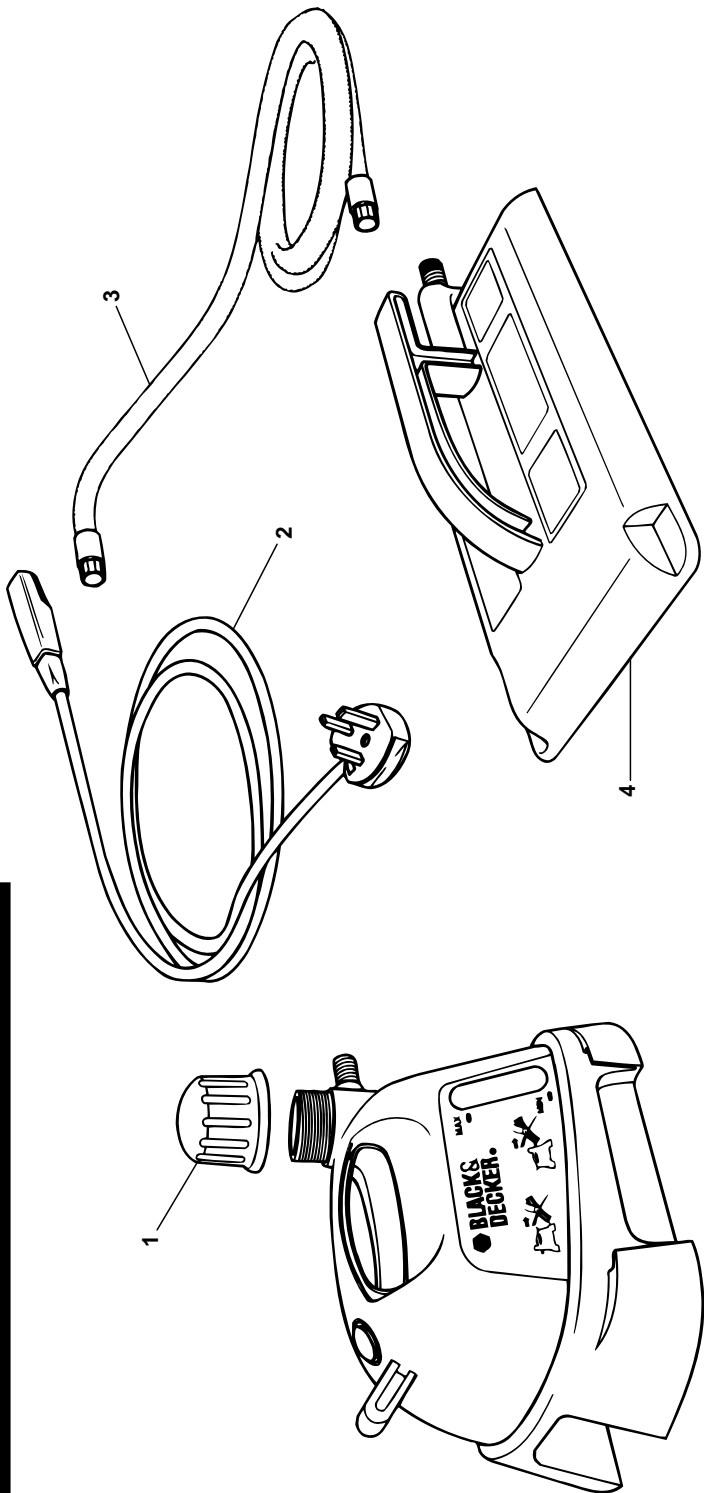
If a Black & Decker product becomes defective due to faulty materials, workmanship or lack of conformity, within 24 months from the date of purchase, Black & Decker guarantees to replace defective parts, repair products subjected to fair wear and tear or replace such products to ensure minimum inconvenience to the customer unless:

- ◆ The product has been used for trade, professional or hire purposes;
- ◆ The product has been subjected to misuse or neglect;
- ◆ The product has sustained damage through foreign objects, substances or accidents;
- ◆ Repairs have been attempted by persons other than authorised repair agents or Black & Decker service staff.

To claim on the guarantee, you will need to submit proof of purchase to the seller or an authorised repair agent. You can check the location of your nearest authorised repair agent by contacting your local Black & Decker office at the address indicated in this manual. Alternatively, a list of authorised Black & Decker repair agents and full details of our after-sales service and contacts are available on the Internet at: www.2helpU.com

Please visit our website www.blackanddecker.co.uk to register your new Black & Decker product and to be kept up to date on new products and special offers. Further information on the Black & Decker brand and our range of products is available at www.blackanddecker.co.uk

Partial support - Only parts shown available
Nur die aufgeführten teile sind lieferbar
Reparation partielle - Seules les pieces indiquees sont disponibles
Supporto parziale - Sono disponibili soltanto le parti evidenziate
Solo estan disponibles las peizas listadas
Solo se encontram disponibles as pecas listadas
Deelstukken ondersteuning - alleen de getoonde onderdelen zijn beschikbaar



ENGLISH

Do not forget to register your product!

www.blackanddecker.co.uk/productregistration

Register your product online at **www.blackanddecker.co.uk/productregistration** or send your name, surname and product code to Black & Decker in your country.

Australia

Black & Decker (Australia) Pty. Ltd.
20 Fletcher Road, Mooroolbark,
Victoria, 3138

Tel. 03-8720 5100
Fax 03-9727 5940

New Zealand

Black & Decker
5 Te Apunga Place
Mt Wellington
Auckland 1060

Tel. +64 9 259 1133
Fax +64 9 259 1122

United Kingdom

Black & Decker
210 Bath Road
Slough, Berkshire SL1 3YD

Tel. 01753 511234
Fax 01753 551155

Free Manuals Download Website

<http://myh66.com>

<http://usermanuals.us>

<http://www.somanuals.com>

<http://www.4manuals.cc>

<http://www.manual-lib.com>

<http://www.404manual.com>

<http://www.luxmanual.com>

<http://aubethermostatmanual.com>

Golf course search by state

<http://golfingnear.com>

Email search by domain

<http://emailbydomain.com>

Auto manuals search

<http://auto.somanuals.com>

TV manuals search

<http://tv.somanuals.com>