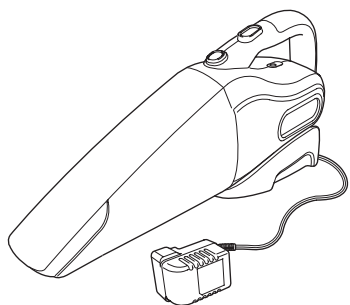




INSTRUCTION MANUAL



CWV9608

Thank you for choosing Black & Decker!
Go to www.BlackandDecker.com/NewOwner
to register your new product.

PLEASE READ BEFORE RETURNING THIS PRODUCT FOR ANY REASON:

If you have a question or experience a problem with your Black & Decker purchase, go to [HTTP://WWW.BLACKANDDECKER.COM/INSTANTANSWERS](http://www.blackanddecker.com/instantanswers) for instant answers 24 hours a day.

If you can't find the answer or do not have access to the internet, call 1-800-544-6986 from 8 a.m. to 5 p.m. EST Mon. -- Fri. to speak with an agent. Please have the catalog number available when you call.

SAVE THIS INSTRUCTION MANUAL FOR FUTURE REFERENCE.

To purchase a replacement filter call 1-888-678-7278.

SAVE THIS MANUAL FOR FUTURE REFERENCE.

FOR HOUSEHOLD USE ONLY.

VEA EL ESPAÑOL EN LA CONTRAPORTADA.

INSTRUCTIVO DE OPERACIÓN, CENTROS DE SERVICIO Y PÓLIZA DE GARANTÍA.

ADVERTENCIA: LEASE ESTE INSTRUCTIVO ANTES DE USAR EL PRODUCTO.

Catalog No. CWV9608

PRINTED IN CHINA

Copyright © 2009 Black & Decker

FORM NO. 90548800 (MAR. '09)

SAFETY GUIDELINES - DEFINITIONS

It is important for you to read and understand this manual.

The information it contains relates to protecting YOUR SAFETY and PREVENTING PROBLEMS. The symbols below are used to help you recognize this information.

⚠ DANGER: Indicates an imminently hazardous situation which, if not avoided, will result in death or serious injury.

⚠ WARNING: Indicates a potentially hazardous situation which, if not avoided, could result in death or serious injury.

⚠ CAUTION: Indicates a potentially hazardous situation which, if not avoided, may result in minor or moderate injury.

CAUTION: Used without the safety alert symbol indicates potentially hazardous situation which, if not avoided, may result in property damage.

IMPORTANT SAFEGUARDS

When using electrical appliances, basic safety precautions should always be followed, including the following:

PLEASE READ AND UNDERSTAND ALL INSTRUCTIONS BEFORE USING THE UNIT.

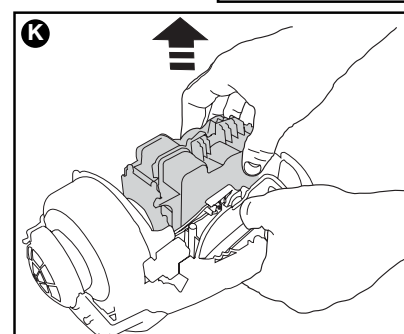
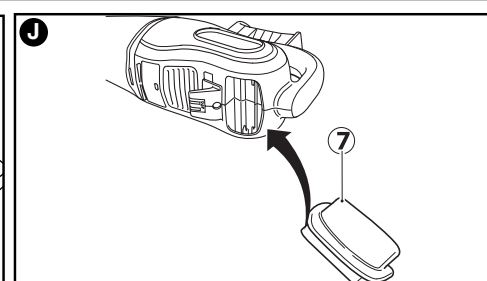
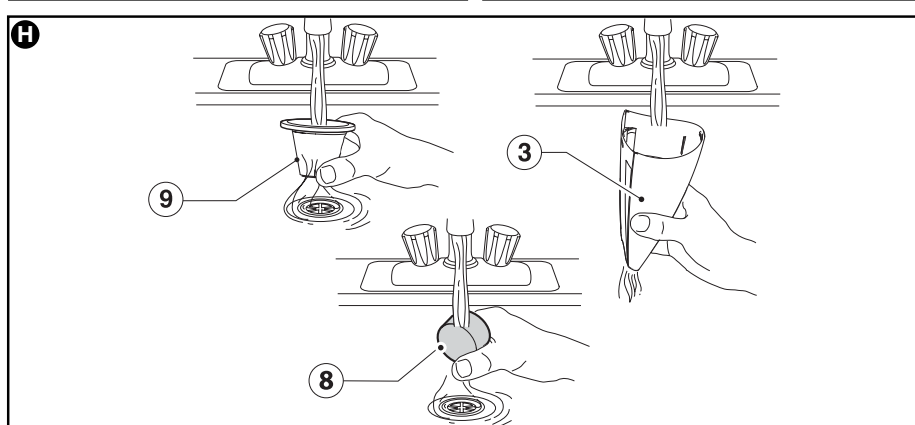
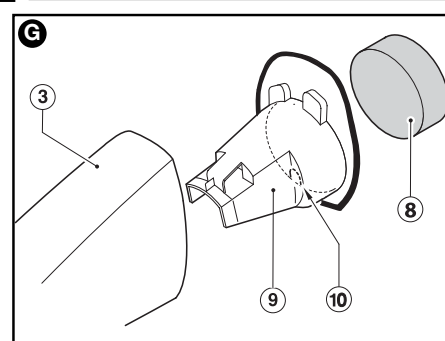
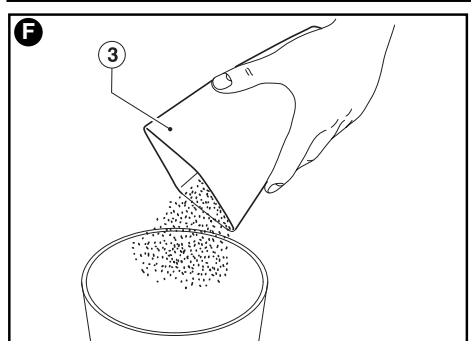
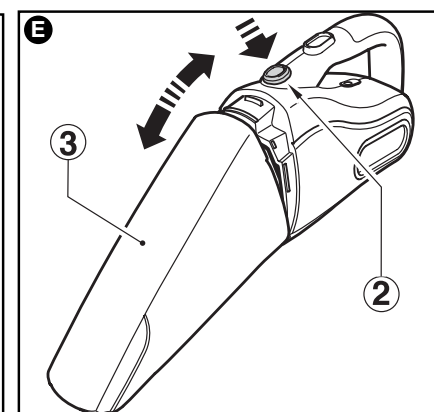
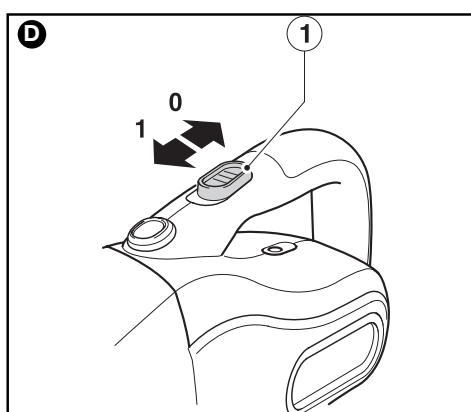
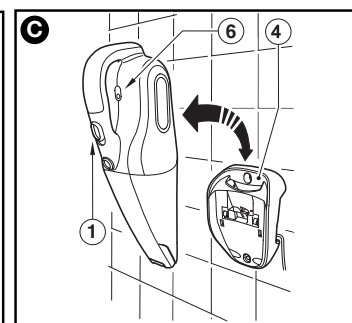
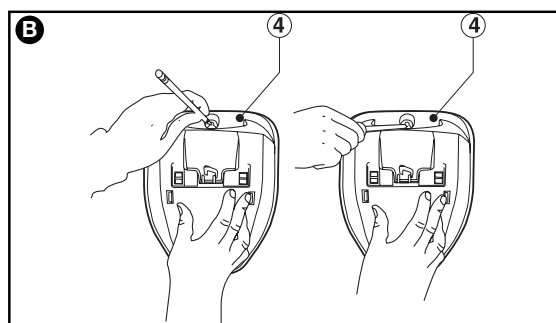
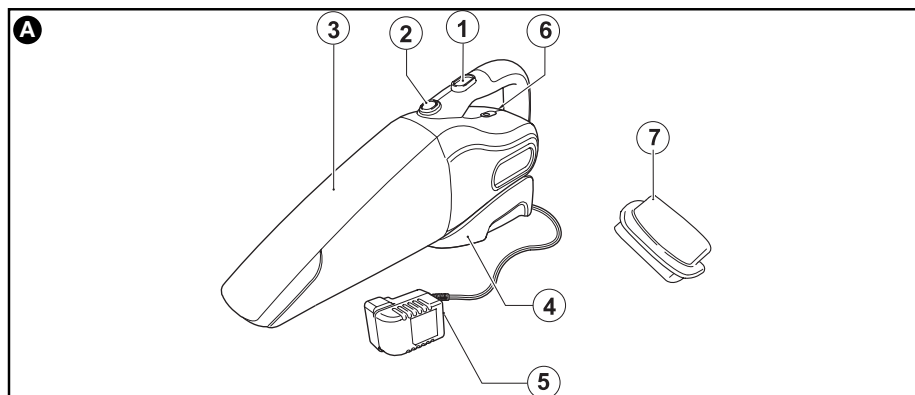
⚠ WARNING: Some household dust contains chemicals known to the State of California to cause cancer, birth defects or other reproductive harm such as asbestos and lead in lead based paint.

⚠ WARNING: To reduce the risk of fire, electrical shock or injury:

- Close supervision is necessary when any appliance is used by or near children. Do not allow to be used as a toy.
- To protect against risk of electrical shock, do not put unit or charging base in water or other liquid.
- Do not use wet/dry hand vacs to pick up toxic substances, flammable or combustible liquids such as gasoline or use in areas where they may be present.
- Do not vacuum any electrical appliance while they are plugged in.
- Do not operate in the presence of explosives and/or flammable fumes or liquids.
- Do not operate any appliance with a damaged cord or charger or after the appliance malfunctions, is left outdoors, dropped into water or is damaged in any manner. Return the appliance to any authorized service facility.
- Do not use DustBuster® dry hand vacs outdoors or on wet surfaces. Do not use the wet/dry hand vacs outdoors.
- Do not abuse the cord. Never carry the charger or base by the cord or yank to disconnect from an outlet; instead grasp the charger and pull to disconnect. Keep cord away from heated surfaces. Do not pull cord around sharp edges or corners.
- Do not allow the cord to hang over the edge of a table or counter or touch hot surfaces. The unit should be placed or mounted away from sinks and hot surfaces.
- To prevent tripping accidents, store vacuum after each use.
- Do not use an extension cord. Plug the charger directly into an electrical outlet.
- Use the charger only in a standard electrical outlet (120V/60Hz).
- Do not attempt to use the charger with any other product; do not attempt to charge this product with any other charger. Use only the charger supplied by the manufacturer to recharge.
- Keep hair, loose clothing, and all parts of body away from openings and moving parts.
- Do not insert accessories when unit is running.
- Do not handle plug or appliance with wet hands.
- Do not put any object into unit openings. Do not use with any openings blocked; keep free of dust, lint, hair, and anything that may reduce air flow.
- Do not pick up any sharp objects that may damage vacuum or filter.
- Do not operate the unit without a filter and dust bowl in place. Replace a damaged filter promptly.
- Do not vacuum burning & smoking materials, such as lit cigarette butts, matches or hot ashes.

- Do not use on or near hot surfaces.
- Use extra caution when cleaning on stairs.
- This appliance is intended for household use only and not for commercial or industrial use.
- Use only as described in this manual. Use only manufacturer's recommended attachments.
- Unplug the charger from outlet before any routine cleaning or maintenance.
- This product includes rechargeable nickel cadmium batteries. Do not incinerate batteries as they will explode at high temperatures.
- Leaks from battery cells can occur under extreme conditions. If the liquid, which is a 20-35% solution of potassium hydroxide, gets on the skin (1) wash quickly with soap and water or (2) neutralize with a mild acid such as lemon juice or vinegar. If the liquid gets into the eyes, flush them immediately with clean water for a minimum of 10 minutes. Seek medical attention.
- The charger supplied with this product is intended to be plugged in such that it is correctly orientated in a vertical or floor mount position.

SAVE THESE INSTRUCTIONS



Product Features -Figure A

1. On/Off slide switch
2. Bowl release button
3. Dust bowl
4. Wall mountable charging base
5. Charger
6. Charge indicator light
7. Squeegee

Installation -Figure B

- Attach the charging base (4) within reach of an electrical outlet, using the screws supplied.
- Plug in charger (5) and place the product in position.
- Always mount in an upright (handle up) position.

NOTE: Avoid damaging the cord while attaching the charging base (4) to the wall or when removing or replacing the product from the base.

Recharging- Figure C

- The charger (5) supplied with this product is intended to be plugged in such that it is correctly orientated in a vertical or floor mount position.
- From new, the rechargeable cells of the product need a minimum charge time of 16 hours to ensure full power.
- While charging the charge indicator light (6) will be illuminated.
- The On/Off switch (1) must be in the off ("O") position. The product will not charge if it is in any other position.
- While charging, the charger (5) may get warm, this is perfectly normal and safe.
- It can remain on charge indefinitely without damage or danger. It is not possible to "overcharge" the battery cells with the charger provided.
- Ensure that the product is fully engaged on the charging base (4) and the charge indicator light (6) is on.

⚠ WARNING: Do not charge at ambient temperatures below 39°F (4 °C) or above 104°F (40 °C).

Use - Figure D

SWITCHING ON AND OFF

- To start, slide the On/Off switch (1) forward (i.e. "O"= Off, "I" = On).
- To stop, slide the On/Off switch (1) back.
- Always return the product to the charging base (4) immediately after use so that it will be ready and fully charged for the next use. Ensure that the product is fully engaged on the charging base.

DRY PICK-UP

- For everyday spills of dry material, use your appliance without the squeegee accessory (7). The squeegee is intended for use with wet spills.

WET PICK-UP

CAUTION: Your product is designed for light spills only.

- Use the squeegee (7) on non-absorbent surfaces.
- For best results when using this accessory, hold the appliance at an angle of 45° and pull it slowly towards you.
- On absorbent surfaces, such as carpet, your appliance will pick up wet spills better without the accessory.

Cleaning the product - Figures E - I

NOTE: Regularly clean the foam filter (8) and deflector (9).

In order to keep the suction force maximized, the re-usable foam filter must be cleared regularly during use.

- Press the bowl release button (2) and remove the dust bowl (3) (**fig. E**).
- Empty the dust bowl (3) (**fig. F**).
- Remove the foam filter and deflector from the dust bowl (**fig. G**). There is a small lip (10) at the bottom of the deflector (9) to help you remove it from the dust bowl.
- Brush any loose dust from the filter and deflector (8 & 9).
- Wash the foam filter in warm, soapy water (**fig. H**). The dust bowl can also be washed if necessary.

⚠ CAUTION: Do not immerse the appliance in water (**fig. I**).

- Make sure that the dust bowl and the filter and deflector are dry.
- Refit the filter and deflector into the dust bowl. Make sure that it clicks into place.
- Refit the dust bowl onto the appliance. Make sure that it clicks into place.

⚠ CAUTION: Never use the appliance without the filter. Optimum dust collection will only be achieved with clean filters.

REPLACING THE FILTERS

The filter should be replaced every 6 to 9 months and whenever worn or damaged.

A replacement filter is available from your Black & Decker dealer (WFOPP1).

- Remove the old filter as described above.
- Fit the new filter as described above.

To purchase a replacement filter call 1-888-678-7278.

STORING THE ACCESSORY

The squeegee (7) can be stored on the product (**fig. J**). Press the accessory in until it clicks into place.

TROUBLE SHOOTING

If the product does not work, check the following:

- That the charge indicator light (6) is on when unit is in charging base (4).
- The charger (5) was correctly plugged in for recharge. (It feels slightly warm to the touch.)
- The charger cord is not damaged and is correctly attached to the charging base (4).
- The charger (5) is plugged into a working electrical outlet.
- That the switch (1) is in the "OFF" position when charging.

ACCESSORIES

Note: Replacement filters can be purchased from most local/national retailers that sell vacuums, or by calling 1-888-678-7278 or by visiting our website at www.dustbuster.com.

BATTERY REMOVAL AND DISPOSAL FIGURE M

This product uses nickel-cadmium (Ni-Cd) rechargeable and recyclable batteries. When the batteries no longer hold a charge, they should be removed from the product and recycled. They must not be incinerated or disposed of.

The batteries can be taken for disposal to a Black & Decker, Company-Owned or Authorized Service Center. Some local retailers are also participating in a national recycling program (see "RBRC™ Seal"). Call your local retailer for details. If you bring the batteries to a Black & Decker Company-Owned or Authorized Service Center, the Center will arrange to recycle old batteries. Or, contact your local municipality for proper disposal instructions in your city/town.

To remove the battery pack for disposal:

- 1.) Unlatch dust bowl (3) from main handle unit.
- 2.) Remove filter(s).
- 3.) Remove the seven screws holding the unit together.
- 4.) Pull the cover half away from the location half.
- 5.) Lift out the full motor/fan/battery assembly.
- 6.) Unplug battery assembly from main assembly.
- 7.) Place the battery in suitable packaging to ensure that the terminals cannot be short-circuited.
- 8.) Take the battery to your service agent or to a local recycling station.

Once removed, the battery cannot be refitted.

To replace or obtain a new battery pack, contact your local Black & Decker, Company-Owned or Authorized Service Center, or call 1-800-544-6986. Be prepared to provide the Catalog Number, found on the housing.

MAINTENANCE

Use only mild soap and damp cloth to clean the vac. Never let any liquid get inside the vac; never immerse any part of the vac into a liquid.

NOTE: Make sure the vacuum is completely dry before using it.

IMPORTANT: To assure product SAFETY and RELIABILITY, repairs, maintenance and adjustment (other than those listed in this manual) should be performed by authorized service centers or other qualified service organizations, always using identical replacement parts.

THE RBRC™ SEAL

The RBRC™ (Rechargeable Battery Recycling Corporation) Seal on the nickel-cadmium battery (or battery pack) indicates that the costs to recycle the battery (or battery pack) at the end of its useful life have already been paid by Black & Decker. In some areas, it is illegal to place spent nickel-cadmium batteries in the trash or municipal solid waste stream and the RBRC program provides an environmentally conscious alternative.

RBRC in cooperation with Black & Decker and other battery users, has established programs in the United States and Canada to facilitate the collection of spent nickel-cadmium batteries. Help protect our environment and conserve natural resources by returning the spent nickel-cadmium battery to an authorized Black & Decker service center or to your local retailer for recycling. You may also contact your local recycling center for information on where to drop off the spent battery, or call 1-800-8-BATTERY.

SERVICE INFORMATION

All Black & Decker Service Centers are staffed with trained personnel to provide customers with efficient and reliable power tool service. Whether you need technical advice, repair, or genuine factory replacement parts, contact the Black & Decker location nearest you. To find your local service location, refer to the yellow page directory under "Tools—Electric" or call: 1-800-544-6986 or visit www.blackanddecker.com

FULL TWO-YEAR HOME USE WARRANTY

Black & Decker (U.S.) Inc. warrants this product for two years against any defects in material or workmanship. The defective product will be replaced or repaired at no charge in either of two ways.

The first, which will result in exchanges only, is to return the product to the retailer from whom it was purchased (provided that the store is a participating retailer). Returns should be made within the time period of the retailer's policy for exchanges (usually 30 to 90 days after the sale). Proof of purchase may be required. Please check with the retailer for their specific return policy regarding returns that are beyond the time set for exchanges.

The second option is to take or send the product (prepaid) to a Black & Decker owned or authorized Service Center for repair or replacement at our option. Proof of purchase may be required. Black & Decker owned and authorized Service Centers are listed under "Tools-Electric" in the yellow pages of the phone directory.

This warranty does not apply to accessories. This warranty gives you specific legal rights and you may have other rights which vary from state to state or province to province. Should you have any questions, contact the manager of your nearest Black & Decker Service Center. This product is not intended for commercial use.

FREE WARNING LABEL REPLACEMENT: If your warning labels become illegible or are missing, call 1-800-544-6986 for a free replacement.

Imported by
Black & Decker (U.S.) Inc.,
701 E. Joppa Rd.
Towson, MD 21286 U.S.A.



See 'Tools-Electric'
– Yellow Pages –
for Service & Sales



MODE D'EMPLOI

N° de catalogue CWV9608

Merci d'avoir choisi Black & Decker!
Consulter le site Web
www.BlackandDecker.com/NewOwner
pour enregistrer votre nouveau produit.

À LIRE AVANT DE RETOURNER CE PRODUIT POUR QUELQUE RAISON QUE CE SOIT :

Si des questions ou des problèmes surgissent après l'achat d'un produit Black & Decker, consulter le site Web

[HTTP://WWW.BLACKANDECKER.COM/INSTANTANSWERS](http://WWW.BLACKANDECKER.COM/INSTANTANSWERS)

pour obtenir des réponses instantanément 24 heures par jour.

Si la réponse est introuvable ou en l'absence d'accès à Internet, composer le 1-800-544-6986 de 8 h à 17 h HNE, du lundi au vendredi, pour parler avec un agent.

Prière d'avoir le numéro de catalogue sous la main lors de l'appel.

CONSERVER CE MANUEL POUR UN USAGE ULTÉRIEUR.

Pour l'achat d'un filtre de rechange composer le 1-888-678-7278.

CONSERVER CE MODE D'EMPLOI POUR UN USAGE ULTÉRIEUR. POUR UN USAGE DOMESTIQUE UNIQUEMENT.

LIGNES DIRECTRICES EN MATIÈRE DE SÉCURITÉ - DÉFINITIONS

Il est important que vous lisiez et compreniez ce mode d'emploi. Les informations qu'il contient concernent VOTRE SÉCURITÉ et visent à ÉVITER TOUT PROBLÈME. Les symboles ci-dessous servent à vous aider à reconnaître cette information.

⚠ DANGER : Indique une situation dangereuse imminente qui, si elle n'est pas évitée, causera la mort ou des graves blessures.

⚠ AVERTISSEMENT : Indique une situation potentiellement dangereuse qui, si elle n'est pas évitée, pourrait causer la mort ou de graves blessures.

⚠ MISE EN GARDE : Indique une situation potentiellement dangereuse qui, si elle n'est pas évitée, pourrait causer des blessures mineures ou modérées.

MISE EN GARDE : Utilisé sans le symbole d'alerte à la sécurité, indique une situation potentiellement dangereuse qui, si elle n'est pas évitée, peut résulter en des dommages à la propriété.

IMPORTANTES MISES EN GARDE

Lorsqu'on utilise un appareil électrique, il faut toujours respecter certaines règles de sécurité fondamentales, notamment les suivantes.

LIRE ET COMPRENDRE TOUTES LES DIRECTIVES AVANT D'UTILISER L'APPAREIL.

⚠ AVERTISSEMENT : Certaines poussières domestiques contiennent des produits chimiques reconnus par l'État de la Californie comme étant cancérigènes et pouvant entraîner des anomalies congénitales et d'autres risques pour la reproduction tels que l'amiante et le plomb contenu dans les peintures au plomb.

AVERTISSEMENT : Afin de minimiser les risques d'incendie, de secousses électriques ou de blessures.

- Exercer une étroite surveillance lorsqu'on utilise l'appareil près d'un enfant ou que l'appareil est utilisé par ce dernier. Il ne s'agit pas d'un jouet.
- Afin d'éviter les risques de secousses électriques, ne pas immerger l'appareil ni son chargeur.
- Ne pas se servir d'un aspirateur portatif destiné à des déchets secs ou humides pour aspirer des substances toxiques, des liquides inflammables ou combustibles comme de l'essence, ni s'en servir dans un endroit renfermant de tels produits.
- Ne pas nettoyer un appareil électrique branché.
- Ne pas se servir de l'appareil en présence de vapeurs explosives ou inflammables.
- Ne pas utiliser un appareil dont le cordon ou le chargeur est endommagé, ni un appareil qui ne fonctionne pas bien, qui est tombé, endommagé, resté à l'extérieur ou a été immergé. Le confier à un centre de service autorisé.
- Ne pas utiliser un aspirateur portatif Dustbuster^{md} pour déchets secs à l'extérieur ni sur des surfaces mouillées.
- Manipuler le cordon avec soin. Ne jamais transporter le chargeur ni le socle par le cordon ni tirer sur le cordon pour le débrancher. Saisir plutôt la fiche et tirer dessus. Éloigner le cordon des surfaces chaudes. Ne pas tirer sur le cordon lorsqu'il est autour d'un coin ou d'un rebord tranchant.
- Ne pas laisser pendre le cordon d'une table ou d'un comptoir, ni le laisser entrer en contact avec une surface chaude. Placer ou installer l'appareil loin des évier ou des surfaces chaudes.
- Afin de prévenir les risques de trébuchement, ranger l'appareil après chaque utilisation.
- Ne pas utiliser de cordon de rallonge. Brancher le chargeur directement dans une prise.
- Brancher le chargeur seulement dans une prise standard (120 V, 60 Hz).
- Ne pas utiliser le chargeur avec un autre appareil; ni tenter de charger le produit avec un autre chargeur. Utiliser seulement le chargeur fourni par le fabricant.
- Éloigner les cheveux, les vêtements amples et les membres du corps des orifices et des pièces mobiles de l'appareil.
- Ne pas installer d'accessoires lorsque l'appareil fonctionne.
- Ne pas manipuler la fiche ni l'appareil avec les mains mouillées.
- Ne pas insérer d'objets dans les ouvertures de l'appareil. Ne pas utiliser l'appareil lorsqu'une de ses ouvertures est bloquée. Enlever la poussière, la charpie, les cheveux et toute autre matière susceptible de réduire le débit d'air.
- Ne pas aspirer des objets pointus qui pourraient endommager l'aspirateur ou le filtre.
- Ne pas faire fonctionner l'appareil sans un filtre et un réservoir à poussière en position. Remplacer rapidement tout filtre endommagé.
- Ne pas se servir de l'appareil pour aspirer des substances en combustion, comme des mégots allumés, des allumettes ou des cendres chaudes provenant d'un foyer.
- Ne pas utiliser l'appareil sur des surfaces chaudes ni près de celles-ci.
- Faire preuve de prudence lorsqu'on nettoie les escaliers.
- L'appareil est conçu pour une utilisation domestique seulement et non industrielle ou commerciale.
- Utiliser l'appareil seulement de la manière décrite dans le présent guide. Utiliser seulement les accessoires recommandés par le fabricant.
- Débrancher le chargeur avant de le nettoyer ou d'en faire l'entretien.
- L'appareil renferme des piles rechargeables au nickel-cadmium. Ne pas incinérer les piles. La chaleur des flammes peut les faire exploser.
- Il peut se produire une légère fuite du liquide excitateur des piles dans des conditions extrêmes. Toutefois, si ce liquide (solution d'hydrogène de potassium à 20-35 p. 100) atteint la peau, il faut : 1) laver immédiatement à l'eau et au savon ou 2) neutraliser à l'aide d'un acide doux comme du jus de citron ou du vinaigre. Si le liquide excitateur atteint les yeux, rincer immédiatement à l'eau claire pendant au moins dix minutes et consulter un médecin.
- Le chargeur fourni avec ce produit est correctement branché s'il est orienté en position verticale ou au plancher.

CONSERVER CES DIRECTIVES.

Composants (fig. A)

- | | |
|--------------------------------|-------------------------|
| 1. Interrupteur à glissière | 5. Chargeur |
| 2. Bouton de dégagement du bac | 6. Témoin de chargement |
| 3. Bac à poussière | 7. Raclette |
| 4. Socle de chargement mural | |

Directives d'installation (fig. B)

- Installer le socle de chargement (4) près d'une prise électrique, au moyen des vis fournies.
 - Brancher le chargeur (5) et mettre en place le produit.
 - Toujours s'assurer que la poignée soit orientée vers le haut durant l'installation.
- NOTE :** Éviter d'endommager le cordon lors de l'installation du socle (4) au mur et lorsqu'on retire l'appareil du socle ou qu'on le remet en place.

Chargement (fig. C)

- Le chargeur (5) fourni avec ce produit est correctement branché s'il est orienté en position verticale ou au plancher.
- Lorsque l'appareil est neuf, les cellules rechargeables de celui-ci doivent être chargées pour un minimum de 16 heures afin d'en maximiser le rendement.
- En cours de charge, un voyant (6) s'illuminera pour indiquer l'état de charge.
- Le commutateur marche/arrêt (1) doit être à la position d'arrêt (« O »). Le produit ne se chargera pas si l'interrupteur est à toute autre position.
- Durant le chargement, le chargeur (5) peut devenir chaud; ceci est tout à fait normal et ne présente aucun danger.
- Il peut être chargé indéfiniment sans danger ni risque de dommages. Il est impossible de « surcharger » les piles avec le chargeur fourni.
- S'assurer que le produit est bien enfoncé dans la base de charge (4) et que le voyant indicateur de charge (6) est illuminé.

AVERTISSEMENT : ne pas charger à des températures ambiantes inférieures à 4 °C (39 °F) ou supérieures à 40 °C (104 °F).

Utilisation (fig. D)

MISE EN MARCHÉ ET ARRÊT DE L'APPAREIL

- Pour mettre l'appareil en marche, faire glisser l'interrupteur (1) vers l'avant (O = hors tension et I = sous tension).
- Pour l'arrêter, faire glisser l'interrupteur (1) vers l'arrière.
- Toujours remettre l'appareil immédiatement dans le socle (4) après s'en être servi pour qu'il soit prêt et rechargé pour une utilisation ultérieure. S'assurer que l'appareil est complètement installé dans le socle de chargement.

RAMASSAGE DES MATIÈRES SÈCHES

- Pour le ramassage quotidien des matières sèches, utiliser l'appareil sans l'accessoire de la raclette (7). La raclette est destinée au ramassage des matières humides.

ASPIRATION DE MATIÈRES HUMIDES

MISE EN GARDE : le produit est conçu pour aspirer uniquement de légers dégâts.

- Utiliser la raclette (7) sur des surfaces imperméables.
- Pour optimiser les résultats lors de l'utilisation de cet accessoire, tenir l'appareil à un angle de 45° et le ramener lentement dans la direction de l'utilisateur.
- Sur des surfaces absorbantes, comme un tapis, l'appareil aspirera mieux la matière humide sans accessoire.

Nettoyage (fig. E à I)

REMARQUE : nettoyer régulièrement le filtre en mousse (8) et le déflecteur (9).

Pour maintenir au maximum la force d'aspiration, il est nécessaire de nettoyer régulièrement le filtre en mousse réutilisable pendant l'utilisation.

- Appuyer sur le bouton de dégagement (2) du réservoir à poussière et retirer le réservoir (3) (fig. E).
- Vider le réservoir à poussière (3) (fig. F).
- Retirer le filtre en mousse et le déflecteur du réservoir à poussière (fig. G). Le déflecteur (10) comporte un petit rebord (9) au bas pour aider à le dégager du réservoir à poussière.
- Brosser le filtre et le déflecteur (8 et 9) pour enlever la poussière en surface.
- Laver le filtre en mousse dans de l'eau chaude savonneuse (fig. H). Le réservoir à poussière peut également être nettoyé, au besoin.

AVERTISSEMENT : ne pas immerger l'appareil dans l'eau (fig. I).

- S'assurer que le réservoir à poussière, le filtre et le déflecteur sont secs.
- Réinstaller le filtre et le déflecteur sur le réservoir à poussière. Un déclic indique qu'ils sont bien enclenchés.
- Remettre le réservoir à poussière en place dans l'appareil. Un déclic indique qu'il est bien enclenché.

AVERTISSEMENT : ne jamais utiliser l'appareil sans le filtre. Une aspiration optimale des poussières ne sera obtenue qu'avec des filtres propres.

REEMPLACEMENT DES FILTRES

Il faut remplacer le filtre tous les 6 à 9 mois et à chaque fois qu'il est usé ou endommagé.

Les détaillants Black & Decker offrent des filtres de rechange (WFOPP1).

- Retirer l'ancien filtre comme décrit ci-dessus.
- Installer le filtre neuf comme décrit ci-dessus.

Pour l'achat d'un filtre de rechange, composer le 1-888-678-7278.

RANGEMENT DE L'ACCESSOIRE

Il est possible de ranger la raclette (7) sur le produit (fig. J). Appuyer sur l'accessoire jusqu'à ce qu'il s'enclenche en position.

DÉPANNAGE

Lorsque l'appareil ne fonctionne pas, s'assurer d'abord que :

- le voyant indicateur de charge (6) s'illumine lorsque l'appareil est inséré dans la base de charge (4).
- le chargeur (5) est enfiché correctement dans la prise murale (il devrait être légèrement chaud au toucher);
- le cordon d'alimentation du chargeur est intact et bien fixé à la base de charge (4).
- a prise électrique dans laquelle le chargeur (5) est enfiché est bien alimentée;
- l'interrupteur (1) est en position hors tension lors du chargement.

ACCESSOIRES

Remarque : les filtres de rechange sont offerts par la plupart des détaillants locaux ou nationaux qui vendent des aspirateurs; il est également possible de composer le 1-888-678-7278 ou de consulter notre site Web à www.dustbuster.com.

RETRAIT ET ÉLIMINATION DES PILES (FIG. M)

L'appareil utilise des piles au nickel cadmium (Ni-Cd) rechargeables et recyclables. Lorsqu'une pile ne retient plus aucune charge, on doit la retirer et la recycler; il ne faut pas les incinérer ou les mettre au rebut. On peut apporter les piles usagées à un centre Black & Decker, autorisé ou lui appartenant. Certains détaillants locaux participent également à un programme de recyclage national (voir la section « sseau RBRC^{mc} »); on doit se renseigner auprès d'eux ou auprès des autorités locales concernant les règlements municipaux relatifs à l'élimination des piles déchargées. Faire ce qui suit pour retirer le bloc-pile afin de le mettre au rebut.

- 1) Déverrouiller le réservoir à poussière (3) du bloc principal de la poignée.
- 2) Retirer le ou les filtres.
- 3) Dévisser les sept vis qui maintiennent l'intégralité de l'appareil.
- 4) Éloigner le couvercle (une moitié) de la moitié restante de l'appareil.
- 5) Soulever l'ensemble composé du moteur, du ventilateur et du bloc-piles.
- 6) Débrancher le module du bloc-piles de l'ensemble principal.
- 7.) Insérer le bloc-piles dans un emballage approprié de sorte que les bornes ne puissent se toucher et provoquer ainsi un court-circuit.
- 8.) Ramener le bloc-piles chez votre agent d'entretien ou à un centre régional de recyclage. Une fois retiré, il est impossible de remettre le bloc-piles en place.

Pour remplacer le bloc-pile ou s'en procurer un nouveau, communiquer avec le centre de service Black & Decker autorisé de la région ou composer le **1 800 544-6986**. Être prêt à donner le modèle de l'appareil qui se trouve sur la partie inférieure du boîtier, sous le suceur plat.

ENTRETIEN

Ne nettoyer l'appareil qu'à l'eau savonneuse au moyen d'un linge humide. Ne jamais laisser de liquide s'infiltrer à l'intérieur l'appareil; ne jamais immerger ce dernier dans quelque liquide que ce soit.

NOTE : s'assurer que l'appareil soit complètement sec avant de l'utiliser.

IMPORTANT : Pour assurer la SÉCURITÉ et la FIABILITÉ du produit, n'en confier les réparations, l'entretien et le réglage qu'au personnel des centres de services autorisés qui n'utilisent que des pièces de rechanges identiques.

Le SCEAU SRPRC™

Le sceau SRPRC™ apposé sur le bloc-piles au nickel cadmium indique que son coût de recyclage à la fin de sa vie utile sera payé par Black & Decker. Il est illégal de jeter les piles au nickel cadmium épuisées dans les poubelles ou dans le système municipal d'élimination des résidus solides. Le programme RBRC représente donc une alternative sensibilisée à l'environnement. La SRPRC™, en collaboration avec Black & Decker, ont établi aux États-Unis et au Canada des programmes facilitant la cueillette des piles au nickel cadmium épuisées. Black & Decker encourage ses utilisateurs à participer à son programme de protection de l'environnement en retournant les piles usagées à un centre de réparation autorisé Black & Decker. On peut également communiquer avec le centre de recyclage de la région pour savoir où déposer les piles usées ou composer le **1-800-8-BATTERY**.



INFORMATION SUR LES RÉPARATIONS

Tous les centres de réparation Black & Decker sont dotés de personnel qualifié en matière d'outillage électrique; ils sont donc en mesure d'offrir à leur clientèle un service efficace et fiable. Que ce soit pour un avis technique, une réparation ou des pièces de rechange authentiques installées en usine, communiquer avec l'établissement Black & Decker le plus près de chez vous. Pour trouver l'établissement de réparation de votre région, consulter le répertoire des Pages jaunes à la rubrique « Outils électriques » ou composer le numéro suivant : **1-800-544-6986** ou consulter le site www.blackanddecker.com

GARANTIE COMPLÈTE DE DEUX ANS POUR UNE UTILISATION DOMESTIQUE

Black & Decker (É.-U.) Inc. garantit ce produit pour une durée de deux ans contre tout défaut de matériau ou de fabrication. Le produit défectueux sera remplacé ou réparé sans frais de l'une des deux façons suivantes :

La première façon consiste en un simple échange chez le détaillant qui l'a vendu (pourvu qu'il s'agisse d'un détaillant participant). Tout retour doit se faire durant la période correspondant à la politique d'échange du détaillant (habituellement, de 30 à 90 jours après l'achat). Une preuve d'achat peut être requise. Vérifier auprès du détaillant pour connaître sa politique concernant les retours hors de la période définie pour les échanges.

La deuxième option est d'apporter ou d'envoyer le produit (transport payé d'avance) à un centre de réparation autorisé ou à un centre de réparation de Black & Decker pour faire réparer ou échanger le produit, à notre discrétion. Une preuve d'achat peut être requise. Les centres Black & Decker et les centres de service autorisés sont répertoriés dans les pages jaunes, sous la rubrique « Outils électriques ».

Cette garantie ne s'applique pas aux accessoires. Cette garantie vous accorde des droits légaux spécifiques et vous pourriez avoir d'autres droits qui varient d'un État ou d'une province à l'autre. Pour toute question, communiquer avec le directeur du centre de réparation Black & Decker le plus près de chez vous. Ce produit n'est pas destiné à un usage commercial.

REEMPLACEMENT GRATUIT DES ÉTIQUETTES D'AVERTISSEMENT : si les étiquettes d'avertissement deviennent illisibles ou sont manquantes, composer le **1-800-544-6986** pour en obtenir le remplacement gratuit.

Imported by / Importé par
Black & Decker Canada Inc.
100 Central Ave.
Brockville (Ontario) K6V 5W6

Voir la rubrique "Outils électriques" des Pages Jaunes pour le service et les ventes.



MANUAL DE INSTRUCCIONES

Catálogo N° CWV9608

Gracias por elegir Black & Decker!
Visite

www.BlackandDecker.com/NewOwner
para registrar su nuevo producto.

LEA EL MANUAL ANTES DE DEVOLVER ESTE PRODUCTO POR CUALQUIER MOTIVO:

Si tiene una consulta o algún inconveniente con su producto Black & Decker, visite

[HTTP://WWW.BLACKANDDECKER.COM/INSTANTANSWERS](http://www.blackanddecker.com/instantanswers)

para obtener respuestas instantáneas las 24 horas del día.

Si no encuentra la respuesta o no tiene acceso a Internet, llame al 1-800-544-6986 de lunes a viernes de 8 a.m. a 5 p.m. hora del Este para hablar con un agente.

Cuando llame, tenga a mano el número de catálogo.

CONSERVE ESTE MANUAL PARA FUTURAS CONSULTAS.

Para comprar un filtro de repuesto llame al 1-888-678-7278.

CONSERVE ESTE MANUAL PARA FUTURAS CONSULTAS. SÓLO PARA USO DOMÉSTICO.

PAUTAS DE SEGURIDAD/DEFINICIONES

Es importante que lea y comprenda este manual. La información que contiene se relaciona con la protección de SU SEGURIDAD y la PREVENCIÓN DE PROBLEMAS. Los símbolos que siguen se utilizan para ayudarlo a reconocer esta información.

⚠ PELIGRO: indica una situación de peligro inminente que, si no se evita, provocará la muerte o lesiones graves.

⚠ ADVERTENCIA: indica una situación de peligro potencial que, si no se evita, provocará la muerte o lesiones graves.

⚠ PRECAUCIÓN: indica una situación de peligro potencial que, si no se evita, provocará lesiones leves o moderadas.

PRECAUCIÓN: utilizado sin el símbolo de alerta de seguridad indica una situación de peligro potencial que, si no se evita, puede provocar daños en la propiedad.

RECOMENDACIONES IMPORTANTES

Cuando se usen aparatos eléctricos, deben tomarse ciertas precauciones básicas de seguridad, entre las que se incluyen las siguientes:

POR FAVOR LEA Y COMPRENDA TODAS LAS INSTRUCCIONES ANTES DE OPERAR LA UNIDAD

⚠ ADVERTENCIA: Ciertas partículas de polvo doméstico contienen químicos, como el asbesto y la pintura a base de plomo, reconocidos por el estado de California como causantes de cáncer, defectos congénitos u otros problemas reproductivos.

⚠ ADVERTENCIA: Para reducir el riesgo de incendio, choque eléctrico y (o) lesiones:

- Se requiere la supervisión de un adulto siempre que un aparato sea utilizado por niños o cerca de ellos. No permita que este aparato se use como juguete.
- Para proteger contra el riesgo de choque eléctrico, no sumerja la unidad ni la base de carga en agua o cualquier otro líquido.
- No utilice las aspiradoras de mano para seco/húmedo con el fin de recoger sustancias tóxicas, líquidos inflamables o combustibles como gasolina, ni las use en áreas en las que estas sustancias puedan estar presentes.
- No aspire ningún aparato eléctrico mientras esté conectado.
- No opere en presencia de gases explosivos y/o inflamables.
- No opere ningún aparato si el cable o el enchufe han sufrido algún daño. Tampoco si el aparato no funciona, si se ha dejado a la intemperie, se ha caído, o sumergido en agua. Llévelos a un centro de servicio autorizado.
- No use las aspiradoras Dustbuster® para limpieza seca en superficies mojadas o a la intemperie.
- No maltrate el cable. No sujete el cargador ni la base por el cable ni tire de él para desconectarlo; sujete el cargador y desconéctelo. Mantenga el cable alejado de las superficies calientes y de las orillas con filo.
- No permita que el cable cuelgue de la orilla de la mesa o del mostrador ni toque superficies calientes. La unidad debe colocarse o montarse lejos de lavaderos y superficies calientes.
- Para evitar tropezarse con la aspiradora, guárdela después de cada uso.
- No utilice cables de extensión. Conecte el cargador directamente a un tomacorriente.
- Utilice el cargador únicamente conectado a un tomacorriente (120V/60Hz).
- No utilice este cargador con otros productos y no trate de cargar este producto con otro cargador. Utilice únicamente el cargador que acompaña el producto.
- Mantenga el cabello, la ropa y el cuerpo alejados de las aberturas y de las partes en movimiento.
- No introduzca ningún accesorio mientras la unidad esté en funcionamiento.
- No opere la unidad ni toque el enchufe con las manos mojadas.
- No permita la introducción de ningún objeto dentro de las aberturas de la unidad. No opere cuando las aberturas estén obstruidas; manténgalas libres de polvo, pelusas, cabellos o cualesquiera otras cosas que pudiesen reducir el flujo de aire.
- No recoja ningún objeto afilado que pudiese dañar la aspiradora o filtro.
- No opere la unidad sin el filtro y el depósito de polvo. Reemplace de inmediato los filtros dañados.
- No aspire material que se esté quemando o produciendo humo, tales como las colillas de cigarrillo encendidas, fósforos, o cenizas calientes.
- No use cerca de superficies calientes.
- Tome cuidado adicional al aspirar las escaleras.
- Este producto ha sido diseñado solamente para uso doméstico y no para uso industrial o comercial.
- Use únicamente de acuerdo con las instrucciones en este manual y utilice solamente los accesorios recomendados por el fabricante.
- Desconecte el cargador antes de cualquier limpieza rutinaria o de darle mantenimiento.
- Este producto incluye baterías recargables de níquel cadmio. No incinere las baterías ya que explotarán a temperaturas elevadas.
- A veces, debido a las condiciones ambientales pueda que haya una fuga líquida de las celdas de las baterías. Si el líquido, que es una solución de 20-35% de hidróxido de potasio llegara a hacer contacto con la piel, (1) lave rápidamente con agua y jabón o (2) neutralice con un ácido suave como el jugo de limón o vinagre, (3) si el líquido cae dentro de los ojos, lávelos inmediatamente con agua limpia por un mínimo de 10 min. Busque atención médica.
- El cargador suministrado con este producto está diseñado para ser enchufado correctamente en posición vertical u horizontal.

CONSERVE ESTAS INSTRUCCIONES

Características del producto (Fig. A)

1. Interruptor deslizable limpieza de filtros
2. Botón de liberación del depósito
3. Depósito de polvo
4. Base de carga para montar en la pared
5. Cargador
6. Luz indicadora de carga
7. Escurridor en la pared

Instalación (Fig. B)

- Coloque la base de carga (4) cerca de una toma de corriente, con los tornillos que se le proporcionan.
 - Enchufe el cargador (5) y coloque el producto en su lugar.
 - Siempre monte en posición vertical (con el mango hacia arriba).
- NOTA:** Evite dañar el cable mientras fija la base a un muro o al retirar o colocar el producto de la base o en ella.

Recarga (Fig. C)

- El cargador (5) suministrado con este producto está diseñado para ser enchufado correctamente en posición vertical u horizontal.
- Cuando nuevas, las celdas recargables del producto necesitan un tiempo mínimo de carga de 16 horas para asegurar la potencia completa.
- Durante la carga, la luz indicadora de carga (6) estará encendida.
- El interruptor de encendido/apagado (1) debe estar en la posición de apagado ("O"). El producto no cargará si el interruptor está en cualquier otra posición.
- Durante la carga, el cargador (5) puede calentarse; esto es perfectamente normal y seguro.
- Puede mantenerse en carga indefinidamente sin ocasionar daños o peligro. Es imposible que las células de la batería se "sobrecarguen" con el cargador provisto.
- Asegúrese de que el producto esté bien encajado en la base cargadora (4) y que la luz indicadora de carga (6) esté encendida.

⚠ AVERTISSEMENT : No cargar a temperaturas ambientales inferiores a 4 °C (39 °F) o superiores a 40 °C (104 °F).

Uso – Fig. D

ENCENDIDO Y APAGADO

- Para encender, deslice el interruptor (1) hacia delante (pe. "O"=apagado, "I"=encendido).
- Para apagar, deslice el interruptor (1) hacia atrás.
- Devuelva siempre el producto a la base de carga (4) inmediatamente después de usarlo de manera que siempre esté listo y completamente cargado para el siguiente uso. Asegúrese de que el producto esté colocado correctamente en la base de carga.

ASPIRADO SECO

- Para los derrames cotidianos de materiales secos, utilice su aparato sin el accesorio escurridor (7). El escurridor está diseñado para utilizarse con derrames de líquidos.

RECOLECCIÓN EN SUPERFICIES HÚMEDAS

- **PRECAUCIÓN:** Este producto está diseñado para limpiar derrames menores solamente.
- Utilice el escurridor (7) en las superficies no absorbentes.
- Para obtener los mejores resultados al utilizar este accesorio, sostenga el aparato a un ángulo de 45° y llévelo lentamente hacia su cuerpo.
- En superficies absorbentes, como las alfombras, este aparato recogerá mejor los líquidos derramados sin el accesorio.

LIMPIEZA DEL PRODUCTO - (Figs. E - I)

NOTA: Limpie periódicamente el filtro de espuma (8) y el deflector (9).

Para mantener la fuerza de succión al máximo, se debe despejar el filtro de espuma reutilizable periódicamente durante el uso.

- Presione el botón de liberación (2) y quite el depósito de polvo (3), **Fig. E**.
- Vacíe el depósito de polvo (3), **(Fig. F)**.
- Quite el filtro de espuma y el deflector del depósito de polvo (**Fig. G**). La parte inferior del deflector (10) tiene un reborde pequeño (9) que lo ayuda a quitar el deflector del depósito de polvo.
- Cepille el resto de polvo del filtro y el deflector (8 y 9).
- Lave el filtro de espuma con agua jabonosa tibia (**Fig. H**). También puede lavar el depósito de polvo, si es necesario.

⚠ PRECAUCIÓN: No sumerja el aparato en agua (**Fig. I**).

- Asegúrese de que el depósito de polvo, el filtro y el deflector estén secos.
- Vuelva a colocar el filtro y el deflector en el depósito de polvo. Asegúrese de que queden firmes en su lugar.
- Vuelva a colocar el depósito de polvo en el aparato. Asegúrese de que queden firmes en su lugar.

⚠ PRECAUCIÓN: Nunca utilice el aparato sin el filtro. Sólo se logrará una recolección de polvo óptima con filtros limpios.

REEMPLAZO DE LOS FILTROS

El filtro se debe reemplazar cada 6 a 9 meses y cuando esté gastado o dañado.

Puede solicitar los filtros de repuesto a su distribuidor de Black & Decker (WFOPP1).

- Retire el filtro viejo según la descripción anterior.
- Coloque el filtro nuevo según la descripción anterior.

Para comprar un filtro de repuesto, llame al 1-888-678-7278.

ALMACENAMIENTO DEL ACCESORIO

El escurridor (7) puede almacenarse en el producto (**Fig. J**). Presione el accesorio hasta que quede firme en su lugar.

DETECCIÓN DE PROBLEMAS

Si el producto no funciona, verifique que:

- Verifique que la luz indicadora de carga (6) esté encendida cuando la unidad esté en la base cargadora (4).
- El cargador (5) se conectó correctamente para recarga. (Se siente ligeramente tibio al tacto.)
- Verifique que el cable del cargador no esté dañado y que esté bien sujeto a la base cargadora (4).
- El cargador (5) está conectado a una toma de corriente que funciona.
- El interruptor (1) está en posición de apagado al momento de cargar.

ACCESORIOS

Nota: Los filtros de repuesto pueden comprarse en la mayoría de los comercios minoristas locales o nacionales que venden aspiradoras, o llamando al 1-888-678-7278 o visite nuestro sitio Web en www.dustbuster.com.

REMOCIÓN Y DESECHO DE BATERÍAS (FIG. M)

Este producto utiliza baterías recargables y reciclables de níquel-cadmio (Ni-Cd). Cuando las baterías ya no retengan la carga, deberán sacarse de la aspiradora y deberán reciclarse. No se deben incinerar ni desechar.

Las baterías pueden llevarse para su desecho a los centros de servicio autorizados de Black & Decker. Algunos distribuidores también participan en un programa nacional de reciclaje (véase "El sello RBRC™"). Llame al distribuidor de su localidad para conocer los detalles. Si lleva las baterías a un centro de servicio propiedad de Black & Decker o a un centro de servicio autorizado, allí se harán cargo del reciclaje de las baterías. o, comuníquese con las autoridades de su localidad para conocer las instrucciones apropiadas de desecho/reciclaje en su ciudad.

Para sacar la batería con el objeto de disponer de ella:

- 1.) Suelte el depósito de polvo (3) de la unidad de mango principal.
- 2) Retire los filtros.
- 3) Retire los siete tornillos que sujetan la unidad.
- 4) Quite la cubierta hasta la mitad.

5) Retire el conjunto completo de motor/ventilador/batería
 6) Desconecte el conjunto de la batería del conjunto principal.
 7.) Coloque la batería en un empaque adecuado para asegurarse de que los terminales no hagan cortocircuito.
 8.) Lleve la batería a su agente de mantenimiento o a una estación de reciclaje local.
 Una vez que se quitó, la batería no se puede volver a colocar.
 Para reemplazar u obtener una batería nueva, comuníquese al Centro de Servicio Black & Decker de su localidad, o llame al **(55)5326-7100**. Está preparado para proporcionar el No. de catálogo de su aspiradora DustBuster, que se encuentra en la carcasa inferior, debajo del esquinero.

MANTENIMIENTO

Utilice únicamente jabón suave y un trapo húmedo para limpiar la aspiradora. Nunca permita que se introduzcan líquidos en ella; nunca sumerja ninguna parte de la aspiradora en un líquido.

NOTA: Asegúrese que la aspiradora esté completamente seca antes de usarla.

IMPORTANTE: Para garantizar la SEGURIDAD y la CONFIABILIDAD del producto, las reparaciones, el mantenimiento y los ajustes (diferentes a los mencionados en este manual) deberán llevarse a cabo en centros de servicio autorizado u otras organizaciones de servicio calificado, que siempre utilicen refacciones idénticas.



EL SELLO RBRC™

El sello RBRC™ (Rechargeable Battery Recycling Corporation) en las baterías de níquel-cadmio, indica que Black & Decker ha pagado los costos de reciclado de las baterías al término de su vida útil. En algunas zonas, es ilegal deshacerse de las baterías usadas de níquel-cadmio por los medios de recolección de basura usuales, y el programa RBRC proporciona una alternativa protectora del ambiente.

RBRC en cooperación con el fabricante y otros usuarios de baterías, ha establecido una serie de programas en los Estados Unidos y en Canadá para facilitar la recolección de las baterías de níquel-cadmio desgastadas. Ayude a cuidar el medio ambiente y a proteger los recursos naturales devolviendo las baterías de níquel-cadmio usadas a un centro de servicio Black & Decker o al distribuidor de su localidad para que las reciclen. Puede usted comunicarse al centro de reciclado de su localidad para que le proporcionen mayor información acerca de los sitios en los que puede desechar su batería usada, o llame al **1-800-8-BATTERY**.

INFORMACIÓN DE MANTENIMIENTO

Todos los Centros de mantenimiento de Black & Decker cuentan con personal altamente capacitado dispuesto a brindar a todos los clientes un servicio eficiente y confiable en la reparación de herramientas eléctricas. Si necesita consejo técnico, reparaciones o piezas de repuesto originales de fábrica, póngase en contacto con el centro de mantenimiento de Black & Decker más cercano a su domicilio. Para ubicar su centro de servicio local, consulte la sección "Herramientas eléctricas" (Tools-Electric) de las páginas amarillas, llame al **(55)5326-7100** o visite nuestro sitio **www.blackanddecker.com**.

GARANTÍA COMPLETA DE DOS AÑOS PARA USO EN EL HOGAR

Black & Decker (Estados Unidos) Inc. ofrece una garantía de dos años por cualquier defecto del material o de fabricación de este producto. El producto defectuoso se reparará o reemplazará sin costo alguno de dos maneras.

La primera opción, el reemplazo, es devolver el producto al comercio donde se lo adquirió (siempre y cuando se trate de un comercio participante). Las devoluciones deben realizarse conforme a la política de devolución del comercio (generalmente, entre 30 y 90 días posteriores a la venta). Le pueden solicitar comprobante de compra. Consulte en el comercio acerca de la política especial sobre devoluciones una vez excedido el plazo establecido.

La segunda opción es llevar o enviar el producto (con flete pago) a un Centro de mantenimiento propio o autorizado de Black & Decker para su reparación o reemplazo según nuestro criterio. Le pueden solicitar el comprobante de compra. Los Centros de mantenimiento autorizados y de propiedad de Black & Decker se detallan en la sección "Herramientas eléctricas" (Tools-Electric) de las páginas amarillas de la guía telefónica. Esta garantía no se extiende a los accesorios. Esta garantía le concede derechos legales específicos; usted puede tener otros derechos que pueden variar según el estado o la provincia. Si tiene alguna pregunta, comuníquese con el gerente del Centro de mantenimiento de Black & Decker de su zona. Este producto no está diseñado para uso comercial.

ESPECIFICACIONES

Cargador: 120V~ (7,5W) 60Hz
 Salida: 11,6 V, DC @ 130mA

Para reparación y servicio de sus herramientas eléctricas, favor de dirigirse al Centro de Servicio más cercano:

CULIACAN, SIN

Av. Nicolás Bravo #1063 Sur
 (667) 7 12 42 11
 Col. Industrial Bravo

GUADALAJARA, JAL

Av. La Paz #1779
 (33) 3825 6978
 Col. Americana Sector Juarez

MEXICO, D.F.

Eje Central Lázaro Cardenas
 No. 18
 (55) 5588 9377
 Local D, Col. Obrera

MERIDA, YUC

Calle 63 #459-A
 (999) 928 5038
 Col. Centro

MONTERREY, N.L.

Av. Francisco I. Madero
 No.831
 (81) 8375 2313
 Col. Centro

PUEBLA, PUE

17 Norte #205
 (222) 246 3714
 Col. Centro

QUERETARO, QRO

Av. Madero 139 Pte.
 (442) 214 1660
 Col. Centro

SAN LUIS POTOSI, SLP

Av. Universidad 1525
 (444) 814 2383
 Col. San Luis

TORREON, COAH

Blvd. Independencia, 96 Pte.
 (871) 716 5265
 Col. Centro

VERACRUZ, VER

Prolongación Díaz Mirón #4280
 (229)921 7016
 Col. Remes

VILLAHERMOSA, TAB

Constitución 516-A
 (993) 312 5111
 Col. Centro

PARA OTRAS LOCALIDADES LLAME AL: (55) 5326 7100

Para servicio y ventas consulte "HERRAMIENTAS ELECTRICAS" en la sección amarilla.



IMPORTADO: BLACK & DECKER S.A. DE C.V.
 BOSQUES DE CIDROS ACCESO RADIATAS NO. 42
 COL. BOSQUES DE LAS LOMAS.
 05120 MÉXICO, D.F. TEL. (55)5326-7100

Free Manuals Download Website

<http://myh66.com>

<http://usermanuals.us>

<http://www.somanuals.com>

<http://www.4manuals.cc>

<http://www.manual-lib.com>

<http://www.404manual.com>

<http://www.luxmanual.com>

<http://aubethermostatmanual.com>

Golf course search by state

<http://golfingnear.com>

Email search by domain

<http://emailbydomain.com>

Auto manuals search

<http://auto.somanuals.com>

TV manuals search

<http://tv.somanuals.com>