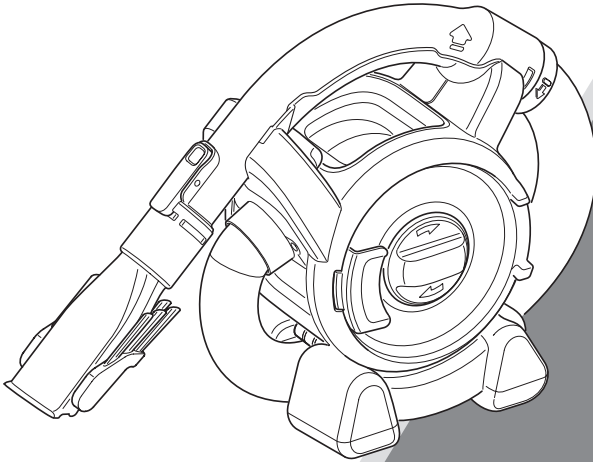




FLEX™ VAC

INSTRUCTION MANUAL



CATALOG NUMBER
PAD1200

Thank you for choosing Black & Decker! To register your new product, go to www.BlackandDecker.com/NewOwner

PLEASE READ BEFORE RETURNING THIS PRODUCT FOR ANY REASON.

If you have a question or experience a problem with your Black & Decker purchase, go to <http://www.blackanddecker.com/instantanswers>

If you can't find the answer or do not have access to the Internet, call 1-800-544-6986 from 8 a.m. to 5 p.m. EST Mon. - Fri. to speak with an agent. Please have the catalog number available when you call.

SAVE THIS MANUAL FOR FUTURE REFERENCE.

VEA EL ESPAÑOL EN LA CONTRAPORTADA.

INSTRUCTIVO DE OPERACIÓN, CENTROS DE SERVICIO Y PÓLIZA DE GARANTÍA.

ADVERTENCIA: LÉASE ESTE INSTRUCTIVO ANTES DE USAR EL PRODUCTO.

SAFETY GUIDELINES - DEFINITIONS

It is important for you to read and understand this manual.

The information it contains relates to protecting YOUR SAFETY and PREVENTING PROBLEMS. The symbols below are used to help you recognize this information.

⚠ DANGER: Indicates an imminently hazardous situation which, if not avoided, will result in death or serious injury.

⚠ WARNING: Indicates a potentially hazardous situation which, if not avoided, could result in death or serious injury.

⚠ CAUTION: Indicates a potentially hazardous situation which, if not avoided, may result in minor or moderate injury.

NOTICE: Used without the safety alert symbol indicates potentially hazardous situation which, if not avoided, may result in property damage.

IMPORTANT SAFETY INSTRUCTIONS

When using an electrical appliances, basic precautions should always be followed, including the following:

READ ALL INSTRUCTIONS BEFORE USING THE APPLIANCE.

⚠ WARNING: Read all safety warnings and all instructions. Failure to follow the warnings and instructions listed below may result in electric shock, fire and/or serious injury.

⚠ WARNING: Some household dust contains chemicals known to the State of California to cause cancer, birth defects or other reproductive harm such as asbestos and lead in lead based paint.

⚠ WARNING: To reduce the risk of fire, electrical shock or injury:

- The intended use is described in this manual. The use of any accessory or attachment or the performance of any operation with this appliance other than those recommended in this instruction manual may present a risk of personal injury.
- Do not allow to be used as a toy. Close supervision is necessary when any appliance is used by or near children.
- Keep children and animals at a safe distance when using this appliance.
- Never pull the power lead to disconnect the plug from the cigarette lighter socket. Keep the lead away from heat, oil and sharp edges.
- Be careful not to pinch the lead in the vehicle's doors, windows or levers.
- Do not use automotive vac to pick up liquids, toxic substances, flammable or combustible liquids such as gasoline or use in areas where they may be present.
- Do not operate in the presence of explosives and/or flammable fumes or liquids.
- Do not operate any appliance with a damaged cord or after the appliance malfunctions, is left outdoors, dropped into water or is damaged in any manner. Return the appliance to any authorized service facility.
- Keep hair, loose clothing, and all parts of body away from openings and moving parts.
- Do not insert accessories when unit is running.
- Do not put any object into unit openings. Do not use with any openings blocked; keep free of dust, lint, hair, and anything that may reduce air flow.
- Do not operate the unit without a filter in place. Replace a damaged filter promptly.
- Do not vacuum burning or smoking materials, such as lit cigarette butts, matches or hot ashes.
- Do not use on or near hot surfaces.
- Do not use without dust bag and/or filters in place.
- When not in use, the appliance should be stored in a dry place. Children should not have access to stored appliances.
- Before use, check the appliance for damaged or defective parts. Check for breakage of parts, damage to switches and any other conditions that may affect its operation.
- Have any damaged or defective parts repaired or replaced by an authorized repair agent.
- Regularly check the power lead for damage. Replace the lead if it is damaged or defective.
- Never attempt to remove or replace any parts other than those specified in this manual.
- The appliance is designed for use with 12V negative ground vehicle battery systems.

- ⚠ WARNING:** Do not operate the appliance with systems which have positive ground or a different voltage.
- The cigarette lighter socket may not be live when the ignition is off and/or the key is removed. If in doubt, consult your vehicle's owner's manual for information regarding the above.
 - Use only as described in this manual. Use only manufacturer's recommended attachments.
 - Do not use the appliance near water. Do not immerse the appliance in water.

⚠ WARNING: Risk of Fire. Do not replace any vehicle fuse with a rating higher than recommended by the vehicle manufacturer. This product is rated to draw 10 amperes from a 12V vehicle outlet. Ensure that the electrical system in your vehicle can supply this product without causing the vehicle fusing to open. This can be determined by making sure the fuse in the vehicle which protects the outlet is rated higher than 10 amperes. Information on the vehicle fuse ratings are typically found in the vehicle operator's manual. If a vehicle fuse opens repeatedly, do not keep on replacing it. The cause of the overload must be found. On no account should fuses be patched up with tin foil or wire as this may cause serious damage elsewhere in the electrical circuit or cause fire.

⚠ WARNING: Do not look into the air vents when the unit is switched on, as sometimes there is a possibility of small debris being discharged from the air vents, especially after cleaning / replacement of the filters as debris inside the unit can be disturbed.

Symbols

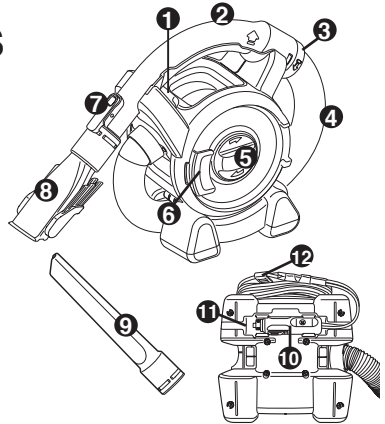
- The label on your tool may include the following symbols. The symbols and their definitions are as follows:

<p>V..... volts</p> <p>Hz..... hertz</p> <p>min minutes</p> <p>—=— or DC ..direct current</p> <p>Ⓛ Class I Construction (grounded)</p> <p>Ⓜ Class II Construction (double insulated)</p>	<p>A.....amperes</p> <p>W.....watts</p> <p>~ or AC.....alternating current</p> <p>n_0.....no load speed</p> <p>⊕earthing terminal</p> <p>⚠safety alert symbol</p> <p>.../min or rpm...revolutions or reciprocation per minute</p>
--	--

SAVE THESE INSTRUCTIONS

PRODUCT FEATURES

1. On/off power switch
2. Removable handle
3. Locking ring
4. Hose
5. Dust container door
6. Door latch
7. Accessory clip
8. 2-in-1 nozzle accessory
9. Crevice tool
10. Vehicle adaptor
11. Storage recess
12. Cord clip

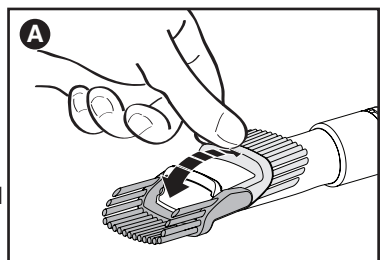


ASSEMBLY

MOUNTING ACCESSORIES (FIGURES A - C)

The 2-in-1 nozzle (8) has a brush that can be folded forward for dusting and upholstery cleaning (**figure A**). The crevice tool (9) allows for vacuuming in narrow and hard-to-reach places.

- To attach an accessory, press the accessory clip (7) and slide the accessory onto the handle (2).
- To remove an accessory, press the accessory clip and remove the accessory as shown in **figure B**.



To unwrap and extend the handle and hose:

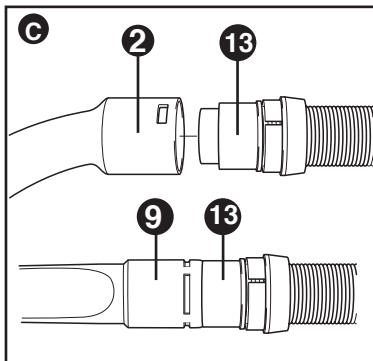
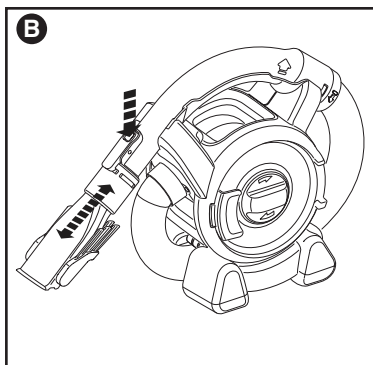
The handle and hose can be unwrapped from the main appliance for extended reach when cleaning. Grab the handle and lift upwards. Unwrap the handle and hose from the main appliance. The hose can extend up to approximately 4 feet (1.21m). To place the handle and hose back onto the main appliance, wrap the hose back underneath and around the vac making sure that the hose fits between the two "feet" of the appliance. Align the handle with its cradle and click back into place. The handle (2) can be removed from the hose allowing the accessories to be connected directly to the hose cuff (13) when desired.

To remove the handle:

- Unclip the handle (2) from the appliance.
- Rotate the locking ring (3) counterclockwise to release the clips.
- Pull the hose away from the handle.
- Fit the accessory directly to the hose cuff (13).

To refit the handle:

- Remove the accessory from the hose.
- Push the hose into the handle (2). Rotate locking ring (3) clockwise until it clicks into place.



OPERATION

CONNECTING TO THE VEHICLE'S POWER SUPPLY

- Make sure that the appliance is switched off.
- Remove the vehicle's socket plug from the socket.
- Plug the vehicle adaptor (10) into the socket.

SWITCHING ON AND OFF

- To switch on, slide the on/off switch (1) to the right.
- To switch off, slide the on/off switch left.

NOTE: The appliance can be used for periods of up to 30 minutes without noticeably affecting the power of a normally charged car battery in good condition.

⚠ CAUTION: Extended use will drain the battery power.

- Do not run the vehicle's engine while cleaning. This can shorten the life of the appliance.
- This appliance is intended for household use only and not for commercial or industrial use.

VACUUMING

- When operating the appliance, make sure that the hose is not trapped, twisted, or blocked.
- The handle (2) can be easily removed from the appliance allowing for further reach.
- With the handle (2) removed, the appliance can be carried using the built-in handle.
- The handle (2) can also be removed from the hose (4) so you can connect an accessory directly to the hose cuff (13) when required.

MAXIMIZING THE SUCTION FORCE

In order to keep the suction force maximized, the filters must be cleared regularly during use.

- Rotate the filter cleaning wheel (5) a few turns to shake out dust clogging the filters.

TROUBLESHOOTING

If the product does not work, follow the instructions below. If this does not solve the problem, please contact your local Black & Decker repair facility.

- Make sure the vehicle adaptor (10) is plugged into the socket correctly.
- Make sure your vehicle battery system is of the 12 V negative ground type.

CLEANING AND MAINTENANCE

⚠ WARNING: Do not, under any circumstances, immerse the appliance in water. A damp cloth and soapy water should be used to clean the exterior of the appliance. Always make sure the appliance is completely dry before reuse or storage.

EMPTYING THE DUST CONTAINER

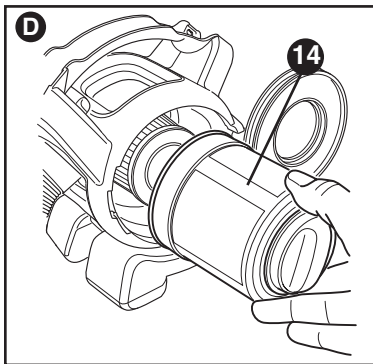
The dust container must be emptied regularly, preferably after every use.

- Pull the door latch (6) and open the dust container door (5).
- Tilt appliance to empty dirt.
- Tap the back end of appliance if debris does not fall out easily or remove filters for better access.

CLEANING PRE-FILTER

Both the plastic pre-filter (14) and the pleated filter (15) are re-usable and should be cleaned regularly. The dust container must be emptied regularly, preferably after every use.

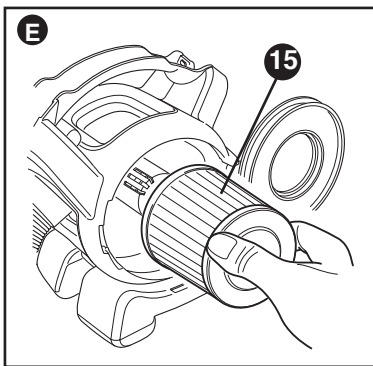
- Release the door latch (6) and open the door (5) 180° until it clicks in the open position.
- Empty the dust container.
- Remove the pre-filter (14).
- Clean the pre-filter by lightly shaking over a dustbin.
- Refit the pre-filter.
- Close the door and make sure that it clicks into place.



CLEANING PLEATED FILTER

The pleated filter (15) prevents particles and larger objects from entering the motor housing. The filter is re-usable and should be cleaned regularly.

- Remove the pre-filter (14) from the appliance as described above.
- Remove the fine pleated filter (15) by pulling firmly.
- Tap the filter vigorously to remove loose dust from the filter.
- If necessary, wash the filter in warm, soapy water.
- Make sure the filters are dry before replacing.
- Refit the pleated filter into the appliance.
- Refit the pre-filter.



MAINTENANCE

Use only mild soap and damp cloth to clean the vac. Never let any liquid get inside the vac; never immerse the battery/motor housing in liquid.

⚠ WARNING: Make sure the vacuum is completely dry before using it.

IMPORTANT: To assure product SAFETY and RELIABILITY, repairs, maintenance and adjustment (other than those listed in this manual) should be performed by authorized service centers or other qualified service organizations, always using identical replacement parts.

SERVICE INFORMATION

All Black & Decker Service Centers are staffed with trained personnel to provide customers with efficient and reliable power tool service. Whether you need technical advice, repair, or genuine factory replacement parts, contact the Black & Decker location nearest you. To find your local service location, call: **1-800-544-6986** or visit **www.blackanddecker.com**

TWO-YEAR LIMITED HOME USE WARRANTY

Black & Decker (U.S.) Inc. warrants this product for two years against any defects in material or workmanship. The defective product will be replaced or repaired at no charge in either of two ways.

The first, which will result in exchanges only, is to return the product to the retailer from whom it was purchased (provided that the store is a participating retailer). Returns should be made within the time period of the retailer's policy for exchanges (usually 30 to 90 days after the sale). Proof of purchase may be required. Please check with the retailer for their specific return policy regarding returns that are beyond the time set for exchanges.

The second option is to take or send the product (prepaid) to a Black & Decker owned or authorized Service Center for repair or replacement at our option. Proof of purchase may be required.

This warranty does not apply to accessories. This warranty gives you specific legal rights and you may have other rights which vary from state to state or province to province. Should you have any questions, contact the manager of your nearest Black & Decker Service Center. This product is not intended for commercial use.

FREE WARNING LABEL REPLACEMENT: If your warning labels become illegible or are missing, call **1-800-544-6986** for a free replacement.

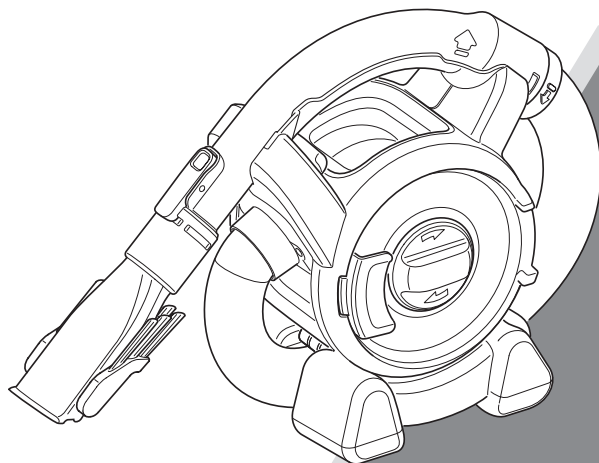
LATIN AMERICA: This warranty does not apply to products sold in Latin America. For products sold in Latin America, check country specific warranty information contained in the packaging, call the local company or see the website for warranty information.

Imported by
Black & Decker (U.S.) Inc.,
701 E. Joppa Rd.
Towson, MD 21286 U.S.A.





ASPIRATEUR SANS FIL À MINI-RÉSERVOIR MODE D'EMPLOI



**NUMERO DE CATALOGUE
PAD1200**

Merci d'avoir choisi Black & Decker! Consulter le site Web www.BlackandDecker.com/NewOwner pour enregistrer votre nouveau produit. **À LIRE AVANT DE RETOURNER CE PRODUIT POUR QUELQUE RAISON QUE CE SOIT :**

Si des questions ou des problèmes surgissent après l'achat d'un produit Black & Decker, consulter le site Web www.blackanddecker.com/instantanswers pour obtenir des réponses instantanément 24 heures par jour. Si la réponse est introuvable ou en l'absence d'accès à l'Internet, composer le 1 800 544-6986 de 8 h à 17 h HNE, du lundi au vendredi, pour parler avec un agent. Prière d'avoir le numéro de catalogue sous la main lors de l'appel. Pour l'achat d'un filtre de rechange composer le 1-888-678-7278

CONSERVER CE MODE D'EMPLOI POUR UN USAGE ULTÉRIEUR.

LIGNES DIRECTRICES EN MATIÈRE DE SÉCURITÉ - DÉFINITIONS

Il est important que vous lisiez et compreniez ce mode d'emploi. Les informations qu'il contient concernent VOTRE SÉCURITÉ et visent à ÉVITER TOUT PROBLÈME. Les symboles ci-dessous servent à vous aider à reconnaître cette information.

⚠ DANGER : Indique une situation dangereuse imminente qui, si elle n'est pas évitée, causera la mort ou des graves blessures.

⚠ AVERTISSEMENT : Indique une situation potentiellement dangereuse qui, si elle n'est pas évitée, pourrait causer la mort ou de graves blessures.

⚠ MISE EN GARDE : Indique une situation potentiellement dangereuse qui, si elle n'est pas évitée, pourrait causer des blessures mineures ou modérées.

MISE EN GARDE : Utilisé sans le symbole d'alerte à la sécurité, indique une situation potentiellement dangereuse qui, si elle n'est pas évitée, peut résulter en des dommages à la propriété.

CONSIGNES DE SÉCURITÉ IMPORTANTES

Lors de l'utilisation d'appareils électriques, toujours observer des précautions de base, notamment les suivantes :

LIRE TOUTES LES CONSIGNES AVANT D'UTILISER L'APPAREIL ÉLECTRIQUE.

⚠ AVERTISSEMENT : Lire tous les avertissements de sécurité et toutes les consignes. Le non-respect des avertissements et des directives ci-dessous peut entraîner des risques de choc électrique, d'incendie ou de blessures graves.

⚠ AVERTISSEMENT : Certaines poussières domestiques contiennent des produits chimiques identifiés par l'État de Californie comme pouvant causer le cancer, des anomalies congénitales et d'autres dangers pour la reproduction, tels que l'amiante et le plomb contenu dans les peintures au plomb.

⚠ AVERTISSEMENT : Pour réduire les risques d'incendie, de choc électrique ou de blessures :

- Ne pas permettre l'utilisation de l'appareil comme jouet. Une étroite surveillance est nécessaire si l'appareil est utilisé par des enfants ou près de ceux-ci.
- Utiliser l'appareil uniquement selon les indications données dans le présent manuel. Utiliser uniquement les accessoires recommandés par le fabricant.
- Ne pas utiliser l'appareil si sa fiche ou son cordon est endommagé. Si un appareil ne fonctionne pas comme il devrait, s'il est tombé au sol ou dans l'eau, s'il est endommagé ou s'il a été laissé à l'extérieur, l'envoyer à un centre de réparation.
- Ne pas tirer sur le cordon, ni transporter l'outil par le cordon, ne pas utiliser le cordon comme poignée, ni fermer une porte dessus, ni tirer le cordon contre des bords tranchants ou des coins. Ne pas passer l'appareil sur le cordon. Tenir le cordon éloigné des surfaces chauffées.
- Ne pas débrancher l'appareil en tirant sur son cordon. Pour le débrancher, saisir la fiche et non le cordon.
- Ne pas insérer d'objet dans les ouvertures de l'appareil. Ne pas utiliser l'appareil si ses ouvertures sont bouchées; les tenir exemptes de poussière, de peluche, de cheveux et de toute chose pouvant réduire la circulation d'air.
- Tenir les cheveux, les vêtements, les doigts et toutes les parties du corps à distance des ouvertures et des pièces mobiles.
- Être très prudent lors du nettoyage des escaliers.
- Ne pas utiliser cet appareil pour ramasser des liquides inflammables ou des combustibles comme de l'essence et ne pas l'utiliser dans les endroits où ces substances sont présentes. • Ne pas ramasser de matières brûlantes ou fumantes comme des cigarettes, des allumettes ou des cendres chaudes.
- Utiliser uniquement l'appareil si le sac à poussière, les filtres ou les deux sont en place.

- Ne pas utiliser sans sac à poussière et / ou les filtres en place.
- Ne pas utiliser à l'extérieur ou sur des surfaces humides.
- Ne pas incinérer l'appareil, même s'il est très endommagé. Les piles peuvent exploser dans un feu.
- L'appareil est conçu pour une utilisation domestique seulement et non industrielle ou commerciale.
- Ne pas laisser le cordon pendre sur le bord d'une table ou d'un comptoir, ni toucher des surfaces chaudes. L'appareil doit être placé ou fixé loin de tout évier et de toute surface chaude.
- Les cellules des piles peuvent fuir dans des conditions extrêmes. Si le liquide, qui est constitué d'une solution de 20 à 35 % d'hydroxyde de potassium, entre en contact avec la peau : (1) se laver rapidement avec de l'eau et du savon ou (2) neutraliser le produit avec un acide doux comme du jus de citron ou du vinaigre. Si le liquide atteint les yeux, les rincer immédiatement à l'eau claire pendant au moins 15 minutes. Consulter un médecin.

⚠ AVERTISSEMENT : Ne pas utiliser l'appareil avec les systèmes qui ont à masse positive ou une tension différente.

- La prise allume-cigare ne peut pas belive lorsque le contact est coupé et / ou la clé est supprimée. En cas de doute, consulter le manuel du propriétaire de votre véhicule pour plus d'informations au sujet de ce qui précède.
- Utiliser uniquement comme décrit dans ce manuel. Utilisez que les accessoires recommandés du fabricant.
- N'utilisez pas l'appareil près de l'eau. Ne pas immerger l'appareil dans l'eau.

⚠ AVERTISSEMENT : Risque d'incendie. Ne remplacez pas aucun fusible de véhicule avec une cote plus élevée que celle recommandée par le constructeur du véhicule. Ce produit est évalué à tirer 10 ampères sur une prise de véhicule 12V. S'assurer que l'installation électrique de votre véhicule peut fournir ce produit sans causer le véhicule de fusion pour l'ouvrir. Ceci peut être déterminé en veillant à ce que le fusible dans le véhicule qui protège la prise est évalué à plus de 10 ampères. Information sur les cotes de fusibles du véhicule se trouvent dans le manuel du véhicule. Si un fusible véhicule ouvre à plusieurs reprises, sans garder de suite le remplacer. Il faut trouver la cause de la surcharge. En aucun cas devraient fusibles être rafistolés avec une feuille d'étain ou le fil car cela pourrait causer de graves dommages ailleurs sur le circuit électrique ou provoquer un incendie.

⚠ AVERTISSEMENT : Ne regardez pas dans les bouches d'aération lorsque l'appareil est allumé, car parfois il ya une possibilité de petits débris d'être évacué par les événements d'air, surtout après le nettoyage / remplacement des filtres des débris à l'intérieur de l'appareil peut être perturbé.

Symboles

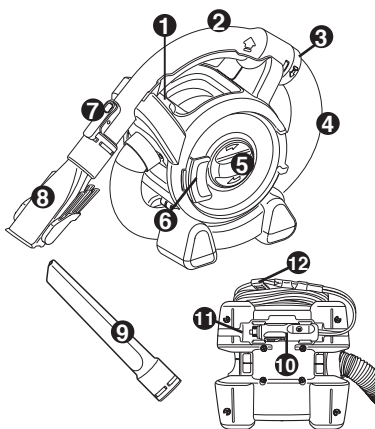
- L'étiquette apposée sur votre outil pourrait comprendre les symboles suivants. Les symboles et leurs définitions sont indiqués ci-après :

V..... volts	A..... ampères
Hz..... hertz	W..... watts
min..... minutes	~ ou AC.....courant alternatif
—= ou DC.....courant continu	n _o sous vide
Ⓜ Construction de classe I (mis à la terre)	Ⓧ borne de mise à la minute
Ⓜ Construction de classe II	⚠ symbole d'avertissement
RPM ou .../min.....tours à la minute	

CONSERVER CES DIRECTIVES.

CARACTÉRISTIQUES DU PRODUIT

1. Interrupteur marche/arrêt
2. Poignée amovible
3. Bague de blocage
4. Tuyau
5. Trappe du contenant à poussière
6. Loquet
7. Dispositif de verrouillage
8. Accessoire de l'embout 2 en 1
9. Suceur plat
10. Adaptateur pour véhicule
11. Clip de l'accessoire
12. Suceur plat



ASSEMBLAGE

MONTAGE DES ACCESSOIRES (FIGURES A - C)

L'embout/brosse 2 en 1 (8) est formé d'une brosse qui se replie vers l'avant pour l'époussetage et le nettoyage des meubles.

Le suceur plat (9) permet de passer l'aspirateur dans les espaces étroits et difficiles d'accès.

- Pour monter un accessoire (7), appuyer sur l'attache d'accessoire et glisser l'accessoire sur la poignée (2) (figure B).
- Pour démonter un accessoire, appuyer sur l'attache d'accessoire et retirer l'accessoire.

Pour détacher et allonger la poignée et le tuyau :

La poignée et le tuyau peuvent être détachés du corps de l'appareil pour en accroître la portée lors d'un nettoyage. Saisir la poignée à l'endroit indiqué par les flèches et soulever. Détacher la poignée et le tuyau du corps de l'appareil. Le tuyau étendu a une portée d'environ 1,21 m (4 pi).

Pour replacer la poignée et le tuyau sur le corps de l'appareil, enrouler le tuyau sur l'aspirateur par le dessous en vous assurant de loger le tuyau entre les deux « pieds » de l'appareil. Aligner la poignée sur son support et l'enclencher en place.

La poignée (2) se détache du tuyau pour permettre le raccordement direct d'accessoires sur la bouche du tuyau (13) si désiré.

Pour retirer la poignée :

- Détacher la poignée (2) de l'appareil.
- Tourner la bague de blocage (3) dans le sens antihoraire pour que les attaches se désengagent.
- Séparer le tuyau de la poignée.
- Monter l'accessoire directement sur la bouche du tuyau (13).

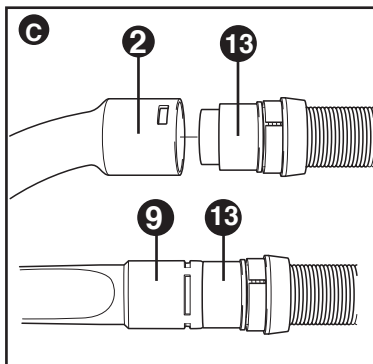
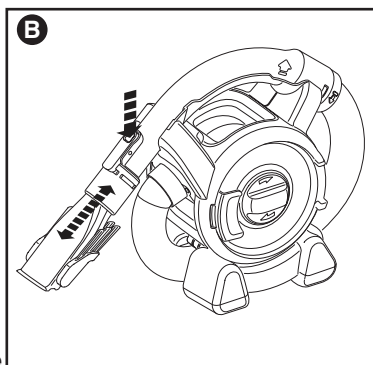
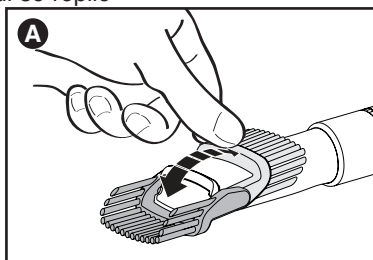
POUR RÉINSTALLER LA POIGNÉE :

- Retirer l'accessoire du tuyau.
- Pousser le tuyau dans la poignée (2). Tourner la bague de blocage (3) dans le sens horaire jusqu'à ce qu'elle s'enclenche en place.

Fonctionnement

BRANCHEMENT À L'ALIMENTATION DU VÉHICULE

- S'assurer que l'appareil est à la position hors tension (OFF).
- Retirer l'allume-cigarettes de la douille.
- Brancher l'adaptateur pour véhicule (10) dans la douille de l'allume-cigarette.



MISE EN MARCHÉ ET ARRÊT

- Pour mettre l'appareil en marche, coulisser l'interrupteur marche/arrêt (4) vers l'avant.
- Pour l'arrêter, coulisser l'interrupteur marche/arrêt vers l'arrière.

L'appareil peut fonctionner sur des périodes allant jusqu'à 30 minutes sans vraiment avoir de répercussions sur la puissance d'un accumulateur de batteries pour automobiles en bon état.

⚠ MISE EN GARDE : une utilisation prolongée risquera d'épuiser l'accumulateur de batteries.

- Ne pas faire tourner le moteur du véhicule en cours de nettoyage. Une telle pratique peut réduire la durée de vie de l'appareil.
- L'appareil est conçu pour une utilisation domestique seulement et non commerciale ou industrielle.

ASPIRATION

- Quand l'aspirateur fonctionne, assurez-vous que le tuyau n'est pas coincé ou vrillé.
- La poignée (2) peut être facilement retirée de l'appareil, ce qui offre un rayon de 1,5 m autour de l'appareil.
- Avec la poignée (2) retirée, l'appareil peut être porté avec la poignée intégré.
- La poignée (2) peut aussi être retirée du tuyau (4), ce qui permet de connecter directement un accessoire sur l'embout du tuyau (13), le cas échéant.

OPTIMISATION DE LA FORCE D'ASPIRATION

Pour maintenir au maximum la force d'aspiration, il est nécessaire de nettoyer régulièrement les filtres pendant l'utilisation.

- Tourner la roue de nettoyage du filtre (5) de quelques tours pour secouer la poussière bouchant les filtres.

GUIDE DE DÉPANNAGE

Lorsque l'appareil ne fonctionne pas, faire ce qui suit. Lorsque les solutions suivantes ne règlent pas le problème, communiquer avec l'agent autorisé de Black & Decker de la région.

- S'assurer que l'adaptateur pour véhicule (10) est correctement branché dans la douille de l'allume-cigarette.
- S'assurer que la batterie du véhicule en est une de 12 V à mise à la terre négative.

NETTOYAGE ET ENTRETIEN

⚠ AVERTISSEMENT : Il ne faut en aucun cas immerger l'appareil dans l'eau. Nettoyer la surface externe de l'appareil au moyen d'un linge humide et d'eau savonneuse. Toujours s'assurer que l'appareil est complètement sec avant de le réutiliser ou de le ranger.

VIDAGE DU CONTENANT À POUSSIÈRE

Le contenant à poussière doit être vidé régulièrement, de préférence après chaque utilisation.

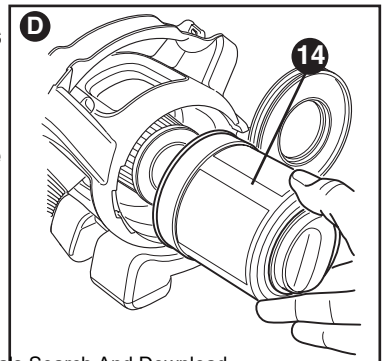
- Tirer sur le loquet (6) et ouvrir la trappe transparente (5) à 180 degrés.
- Incliner l'appareil pour vider la poussière.
- Taper le dos de l'appareil si la saleté ne tombe pas facilement ou extraire les filtres pour mieux y accéder.

NETTOYAGE DES FILTRES

Le préfiltre de plastique (14) et le filtre plissé (15) sont tous deux réutilisables et doivent être nettoyés régulièrement.

Le collecteur de poussière doit être vidé régulièrement, de préférence après chaque utilisation.

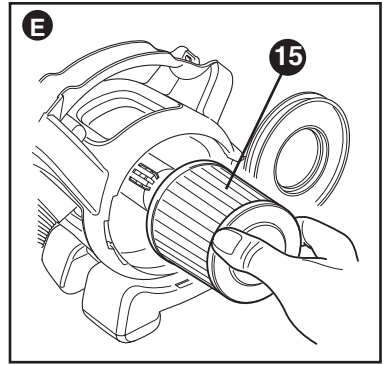
- Dégagez le dispositif de verrouillage (6) et ouvrez le cache transparent (5) de 180° jusqu'à ce qu'il se trouve en position ouvert.
- Videz la poussière.
- Retirez le préfiltre (15).
- Nettoyez le pré-filtre en le secouant légèrement au-dessus d'une poubelle.
- Remplacez le préfiltre.
- Fermez le cache transparent en l'enclenchant correctement.



NETTOYAGE DU FILTRE À POUSSIÈRE FINE

Le filtre à poussière fine (15) empêche les particules et les gros objets d'entrer dans le compartiment moteur. Le filtre est réutilisable et doit être nettoyé régulièrement.

- Retirez le préfiltre (16) de l'appareil, comme décrit ci-dessus.
- Retirez le filtre à poussière fine (17) en le tirant fermement.
- Tapez le filtre pour que la poussière tombe.
- Le cas échéant, lavez le filtre dans de l'eau tiède et savonneuse.
- Les filtres doivent être secs.
- Réinstallez le filtre à poussière fine (17) sur l'appareil.
- Réinstallez le préfiltre (16), comme décrit ci-dessus.



ENTRETIEN

Ne nettoyez l'appareil qu'à l'eau savonneuse au moyen d'un linge humide. Ne jamais laisser de liquide s'infiltrer à l'intérieur de l'appareil; ne jamais immerger ce dernier dans quelque liquide que ce soit.

⚠ AVERTISSEMENT : s'assurer que l'aspirateur est complètement sec avant de l'utiliser.

IMPORTANT : Pour assurer la SÉCURITÉ et la FIABILITÉ de l'appareil, tous les travaux de réparation, d'entretien et de réglage autres que ceux décrits aux présentes doivent être effectués par le personnel d'un centre de service autorisé ou qualifié; seules des pièces de rechange identiques doivent être utilisées.

INFORMATION SUR LES RÉPARATIONS

Tous les centres de réparation Black & Decker sont dotés de personnel qualifié en matière d'outillage électrique; ils sont donc en mesure d'offrir à leur clientèle un service efficace et fiable. Que ce soit pour un avis technique, une réparation ou des pièces de rechange authentiques installées en usine, communiquer avec l'établissement Black & Decker le plus près de chez vous. Pour trouver l'établissement de réparation de votre région, composer le numéro suivant : **1-800-544-6986** ou consulter le site www.blackanddecker.com

GARANTIE LIMITÉE DE DUEX ANS

Black & Decker (É.-U.) Inc. garantit que le produit est exempt de défauts de matériau et de fabrication pendant deux (2) ans à partir de la date d'achat, à condition que le produit soit utilisé en milieu domestique. La présente garantie limitée ne couvre pas les défaillances provoquées par un abus, un dommage accidentel ou des réparations ou tentatives de réparations effectuées par toute autre personne que le personnel de Black & Decker et de ses centres de réparation agréés. Un produit défectueux qui remplit les conditions stipulées par la présente garantie sera remplacé ou réparé sans frais d'une des deux façons suivantes :

La première façon consiste en un échange chez le détaillant où le produit a été acheté (à la condition que le magasin soit un détaillant participant). Tout retour doit se faire durant la période correspondant à la politique d'échange du détaillant. Une preuve d'achat peut être requise. Prière de vérifier la politique de retour du détaillant au sujet des délais impartis pour les retours ou les échanges.

La deuxième option est d'apporter ou d'envoyer le produit (en port payé) à un centre de réparation agréé ou à un centre de réparation Black & Decker pour faire réparer ou échanger le produit, à la discrétion de Black & Decker.

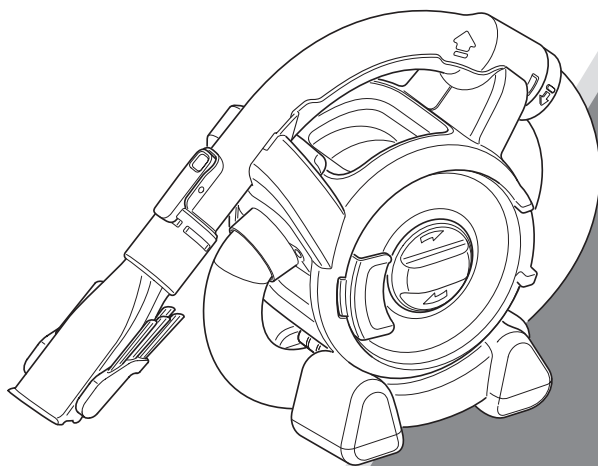
Cette garantie ne s'applique pas aux accessoires. Cette garantie accorde des droits légaux propres au propriétaire de l'outil. Ce dernier pourrait avoir d'autres droits selon l'État ou la province qu'il habite. Pour toute question, communiquer avec le directeur du centre de réparation Black & Decker le plus près. Ce produit n'est pas destiné à un usage commercial. L'usage commercial de ce produit annule par conséquent cette garantie. Toutes autres garanties, expresses ou implicites, sont déclinées par la présente.

Imported by / Importé par
Black & Decker Canada Inc.
100 Central Ave.
Brockville (Ontario)
K6V 5W6



ASPIRADORA INALÁMBRICA CON MINIDEPÓSITO

MANUAL DE INSTRUCCIONES



**CATÁLOGO N°
PAD1200**

Gracias por elegir Black & Decker!

Visite www.BlackandDecker.com/NewOwner para registrar su nuevo producto.

LEA EL MANUAL ANTES DE DEVOLVER ESTE PRODUCTO POR CUALQUIER MOTIVO:

Si tiene una consulta o algún inconveniente con su producto Black & Decker, visite <http://www.blackanddecker.com/instantanswers> para obtener respuestas instantáneas las 24 horas del día.

Si no encuentra la respuesta o no tiene acceso a Internet, llame al 1-800-544-6986 de lunes a viernes de 8 a. m. a 5 p. m. hora del Este para hablar con un agente.

Cuando llame, tenga a mano el número de catálogo.

Para comprar un filtro de repuesto llame al 1-888-678-7278.

**CONSERVE ESTE MANUAL PARA FUTURAS CONSULTAS.
SÓLO PARA USO DOMÉSTICO.**

PAUTAS DE SEGURIDAD/DEFINICIONES

Es importante que lea y comprenda este manual. La información que contiene se relaciona con la protección de SU SEGURIDAD y la PREVENCIÓN DE PROBLEMAS. Los símbolos que siguen se utilizan para ayudarlo a reconocer esta información.

⚠ PELIGRO: indica una situación de peligro inminente que, si no se evita, provocará la muerte o lesiones graves.

⚠ ADVERTENCIA: indica una situación de peligro potencial que, si no se evita, provocará la muerte o lesiones graves.

⚠ PRECAUCIÓN: indica una situación de peligro potencial que, si no se evita, provocará lesiones leves o moderadas.

PRECAUCIÓN: utilizado sin el símbolo de alerta de seguridad indica una situación de peligro potencial que, si no se evita, puede provocar daños en la propiedad.

INSTRUCCIONES DE SEGURIDAD IMPORTANTES

Al utilizar aparatos eléctricos, siempre deben seguirse algunas precauciones básicas, entre las que se incluyen:

LEA TODAS LAS INSTRUCCIONES ANTES DE UTILIZAR ESTE APARATO.

⚠ ADVERTENCIA: Lea todas las advertencias de seguridad y todas las instrucciones. El incumplimiento de cualquiera de las advertencias e instrucciones indicadas a continuación puede provocar una descarga eléctrica, un incendio y/o lesiones graves.

⚠ ADVERTENCIA: Algunos tipos de polvo doméstico contienen sustancias químicas, como el asbesto y el plomo de las pinturas a base plomo, reconocidas por el Estado de California como causantes de cáncer, defectos de nacimiento u otros problemas reproductivos.

⚠ ADVERTENCIA: Para disminuir el riesgo de incendio, descarga eléctrica o lesiones:

- No permita que se utilice como juguete. Debe prestar especial atención cuando los niños la utilicen o al utilizarla cerca de ellos.
- Utilícela únicamente como se describe en este manual. Utilice únicamente aditamentos recomendados por el fabricante.
- No utilice la unidad con el cable o el enchufe dañados. Si el aparato no funciona como corresponde, se ha caído, dañado, dejado al aire libre o sumergido en agua, devuélvalo a un centro de mantenimiento.
- No arrastre ni transporte la unidad por el cable, no utilice el cable como un mango, no cierre una puerta sobre el cable ni tire de este cerca de bordes o esquinas filosas. No pase sobre el cable con el aparato funcionando. Mantenga el cable alejado de superficies calientes.
- No desenchufe la unidad tirando del cable. Para desenchufarla, sujete el enchufe, no el cable.
- No inserte ningún objeto en los orificios de la unidad. No la utilice si alguno de los orificios está bloqueado, manténgala libre de polvo, pelusas, pelos y cualquier cosa que pueda reducir el flujo de aire.
- Mantenga el cabello, las ropas holgadas, los dedos y todas las partes del cuerpo alejados de los orificios y de las piezas en movimiento.
- Tenga mucho cuidado al limpiar en escaleras.
- No utilice la unidad para recoger líquidos inflamables o combustibles, como gasolina, ni la utilice en áreas en las que estas sustancias puedan estar presentes.
- No recoja ninguna cosa que esté quemándose o humeante, como cigarrillos, fósforos o cenizas calientes.
- No utilice la unidad sin la bolsa para polvo y/o los filtros en su lugar.
- No use sin la bolsa para polvo y / o filtros en su lugar.
- No lo utilice en exteriores o en superficies mojadas
- No incinere el aparato aun si tiene daños importantes. Las baterías pueden explotar en el fuego.

- Este aparato está diseñado para uso doméstico solamente y no para uso comercial o industrial.
- No permita que el cable cuelgue sobre el borde de una mesa o mostrador, o toque superficies calientes. La unidad debe colocarse o montarse lejos de fregaderos y superficies calientes.
- Este producto incluye baterías recargables de níquel-cadmio. No incinere las baterías porque explotan a temperaturas altas.
- En condiciones extremas, pueden producirse fugas de las celdas de las baterías. Si el líquido, que es una solución de hidróxido de potasio al 20-35%, entra en contacto con la piel (1) lave rápidamente con agua y jabón o (2) neutralice con un ácido suave como jugo de limón o vinagre. Si el líquido de la batería entra en contacto con los ojos, lávelos de inmediato con agua limpia durante al menos 10 minutos. Busque atención médica.
- No mire por los orificios de ventilación mientras la unidad esté encendida, ya que a veces existe la posibilidad de que pequeños residuos salgan disparados por dichos orificios, especialmente después de limpiar/reemplazar los filtros, ya que los residuos dentro de la unidad pueden desplazarse.

⚠ ADVERTENCIA: no utilice el aparato con sistemas de tierra positiva o con voltajes diferentes.

- El encendedor de cigarrillos puede no estar activo cuando el interruptor de encendido del vehículo esté en posición de apagado y (o) la llave esté fuera. Si tiene duda, consulte el manual del propietario de su vehículo.
- sесе únicamente como se describe en este manual. Utilice únicamente los dispositivos recomendados por el fabricante.
- No utilice el aparato cerca del agua. No sumerja el aparato en agua.

⚠ ADVERTENCIA: Riesgo de incendio. No utilice ningún fusible del vehículo de capacidad nominal mayor que la recomendada por el fabricante del vehículo. La capacidad nominal de este producto es de 10 amperios de un tomacorriente para vehículos de 12 V. Asegúrese de que el sistema eléctrico de su vehículo pueda alimentar a este producto sin que se quemen los fusibles. Para determinar esto, asegúrese de que la capacidad nominal del fusible del vehículo que protege el tomacorriente sea mayor que 10 amperios. Por lo general, la información sobre la capacidad nominal de los fusibles del vehículo se encuentra en el manual de operación del vehículo. Si un fusible se quema reiteradamente, no lo siga reemplazando. Primero debe encontrar la causa de la sobrecarga. Nunca repare los fusibles con papel de aluminio o alambre, ya que esto puede ocasionar daños graves en otras partes del circuito eléctrico o incendios.

⚠ ADVERTENCIA: No mire directamente a los conductos de ventilación cuando la unidad está encendida, ya que a veces hay una pequeña posibilidad de que los desechos que se descargan desde los orificios de ventilación, sobre todo después de la limpieza / sustitución de los filtros como los residuos dentro de la unidad puede ser perturbado.

SÍMBOLOS

- La etiqueta de su herramienta puede incluir los siguientes símbolos. Los símbolos y sus definiciones son los siguientes:

V..... voltios

Hz..... hertz

min..... minutos

—|—|—| o DC..... corriente directa

⚠..... Construcción Clase I
(mis a la terre)

⊠..... Construcción de clase II

RPM o .../min..... revoluciones o minuto seguridad

A..... amperios

W..... vatios

~ o AC..... corriente alterna

n_o..... no velocidad sin carga

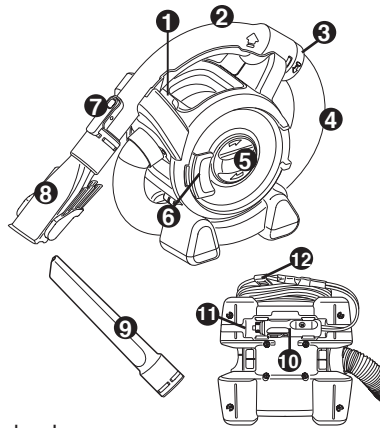
⊕..... terminal a tierra

⚠..... simbolo de alerta

CONSERVE ESTE MANUAL

CARACTERÍSTICAS DEL PRODUCTO

1. Interruptor de encendido/apagado
2. Mango desmontable
3. Anillo de bloqueo
4. Manguera
5. Puerta del depósito para polvo
6. Seguro de la puerta
7. Sujetador para accesorios
8. Accesorio de boquilla 2 en 1
9. Herramienta para ranuras
10. Adaptador para vehículo
11. Pinza para accesorios
12. Accesorio para hendiduras



Ensamblaje

MONTAJE DE ACCESORIOS

La boquilla/cepillo 2 en 1 (8) tiene un cepillo que puede plegarse hacia adelante para sacudir el polvo y limpiar tapizados.

La herramienta para ranuras (9) permite aspirar en lugares estrechos y de difícil acceso.

- Para colocar un accesorio (7), oprima el sujetador de accesorios y deslice el accesorio en el mango (2).
- Para retirar un accesorio, oprima el sujetador de accesorios y retire el accesorio.

Para desenrollar y extender el mango y la manguera:

El mango y la manguera pueden desenrollarse del aparato principal para lograr un mayor alcance durante la limpieza. Sujete el mango en el lugar indicado por las flechas y levántelo. Desenrolle el mango y la manguera del aparato principal. La manguera se puede extender hasta un máximo de 1,2 m (4 pies) aproximadamente.

Para volver a colocar el mango y la manguera en el aparato principal, enrosque la manguera nuevamente debajo y alrededor de la aspiradora, asegurándose de que encaje entre ambas "patas" de la aspiradora. Alinee el mango con su base y vuelva a encajarlo en su lugar. El mango (2) puede extraerse de la manguera, lo que permite conectar los accesorios directamente a la boquilla de la manguera (13) cuando se desee.

Para extraer el mango:

- Desenganche el mango (2) del aparato.
- Gire el anillo de bloqueo (3) en el sentido contrario de las agujas del reloj para liberar los sujetadores.
- Extraiga la manguera del mango.
- Fije el accesorio directamente a la boquilla de la manguera (13).

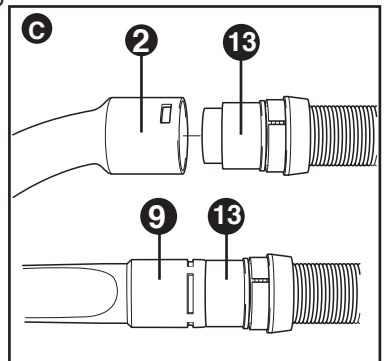
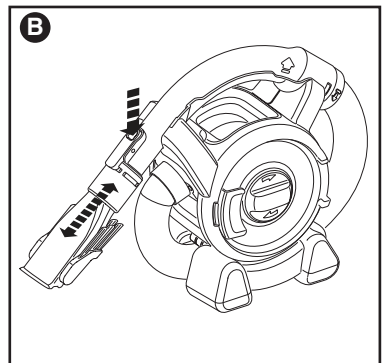
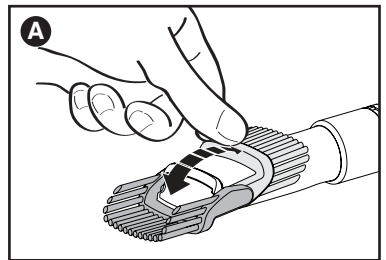
Para volver a colocar el mango:

- Retire el accesorio de la manguera.
- Empuje la manguera dentro del mango (2). Gire el anillo de bloqueo (3) en el sentido de las agujas del reloj hasta que encaje en su lugar.

FUNCIONAMIENTO

CONEXIÓN A LA TOMA DE CORRIENTE DEL VEHÍCULO

- Asegúrese de que el aparato esté apagado.
- Retire el encendedor de cigarrillos de la toma.
- Conecte el adaptador para vehículo (10) en el enchufe del encendedor de cigarrillos.



ENCENDIDO Y APAGADO

- Para encender el aparato, deslice el interruptor de encendido/apagado (1) hacia delante.
- Para apagar el aparato, deslice el interruptor de encendido/apagado hacia atrás.

NOTA: El aparato puede utilizarse por períodos de hasta 30 minutos sin afectar perceptiblemente la energía de una batería para automóviles cargada normalmente y en buenas condiciones.

⚠ PRECAUCIÓN: La utilización prolongada agotará la carga de la batería.

- No encienda el motor del vehículo durante la limpieza. Esto puede acortar la vida útil del aparato.
- Este aparato está diseñado para uso doméstico solamente y no para uso comercial o industrial.

ASPIRACIÓN

- Al utilizar el aparato, asegúrese de que la manguera no esté atrapada, torcida o bloqueada.
- El mango (2) se puede extraer fácilmente del aparato, lo que le permite alcanzar hasta 1,5 m.
- Si extrae el mango, el aparato se puede transportar mediante el asa incorporada.
- El mango también se puede extraer de la manguera (4) de modo que se pueda conectar un accesorio directamente al conector de manguera (13) cuando sea necesario.

MAXIMIZACIÓN DE LA FUERZA DE SUCCIÓN

Para mantener la fuerza de succión al máximo, se deben despejar los filtros periódicamente durante el uso.

- Gire el disco de limpieza del filtro (5) para sacudir el polvo que se atasca en los filtros.

SOLUCIÓN A PROBLEMAS FRECUENTES

Si el producto no funciona, siga las instrucciones enumeradas a continuación. Si esto no soluciona el problema, por favor comuníquese con el agente de servicio de Black & Decker de su localidad.

- Asegúrese de que el adaptador para vehículo (10) esté bien conectado al enchufe del encendedor de cigarrillos.
- Asegúrese que el sistema de batería de su vehículo sea de 12V con tierra negativa.

LIMPIEZA Y MANTENIMIENTO

⚠ ADVERTENCIA: No sumerja el aparato en agua en ninguna circunstancia. Para limpiar el exterior del aparato, debe utilizarse un paño húmedo y agua jabonosa. Siempre asegúrese de que el aparato esté completamente seco antes de volver a utilizarlo o almacenarlo.

VACIADO DEL DEPÓSITO DE POLVO

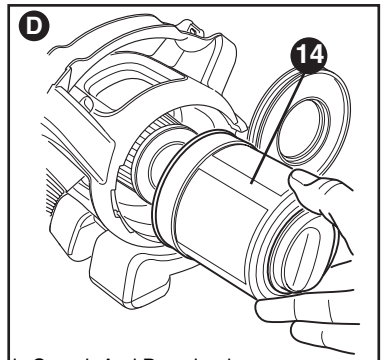
El depósito de polvo debe vaciarse en forma periódica, preferentemente después de cada uso.

- Hale el pestillo de la puerta (6) y abra la puerta transparente (5) 180 grados.
- Incline la unidad para extraer la suciedad.
- Golpee la parte trasera de la unidad si los residuos no se desprenden con facilidad o retire los filtros para obtener un mejor acceso.

LIMPIEZA DE LOS FILTROS

Tanto el prefiltro plástico (14) como el filtro con pliegues (15) son reutilizables y deben limpiarse periódicamente.

- Libere la lengüeta de la tapa (6) y abra la tapa transparente (5) 180° hasta que encaje en la posición abierta.
- Vacíe el contenedor para el polvo.
- Extraiga el filtro previo (14).
- Agite el filtro previo suavemente sobre una papelera para limpiarlo.
- Vuelva a colocar el filtro previo.
- Cierre la tapa transparente y asegúrese de que encaja en su lugar con un clic.

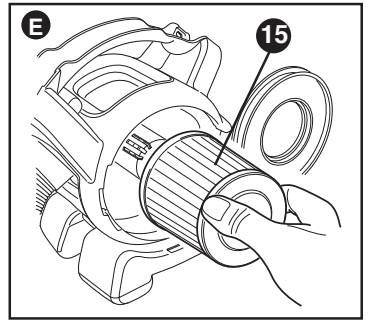


LIMPIEZA DEL FILTRO DE PARTÍCULAS FINAS

El filtro de partículas finas (15) evita que partículas y otros objetos de mayor tamaño entren en la carcasa del motor.

El filtro es reutilizable y se debe limpiar con regularidad.

- Extraiga el filtro previo (14) del aparato tal como se describe a continuación. Tire firmemente del filtro de partículas finas para extraerlo. Sacuda el filtro energicamente para eliminar el polvo que todavía queda en el filtro.
- Limpie el filtro en agua tibia con jabón si fuera necesario.
- Asegúrese de que estén bien secos.
- Vuelva a colocar el filtro de partículas finas en el aparato.
- Vuelva a colocar el filtro previo tal como se describe anteriormente.



MANTENIMIENTO

Utilice únicamente jabón suave y un trapo húmedo para limpiar la aspiradora. Nunca permita que se introduzcan líquidos en ella; nunca sumerja ninguna parte de la aspiradora en un líquido.

⚠ ADVERTENCIA: Asegúrese de que la aspiradora esté completamente seca antes de utilizarla.

IMPORTANTE: Para garantizar la SEGURIDAD y la CONFIABILIDAD del producto, las reparaciones, el mantenimiento y los ajustes (diferentes a los mencionados en este manual) deberán llevarse a cabo en centros de servicio autorizado u otras organizaciones de servicio calificado, que siempre utilicen refacciones idénticas.

INFORMACIÓN DE MANTENIMIENTO

Todos los Centros de servicio de Black & Decker cuentan con personal altamente capacitado dispuesto a brindar a todos los clientes un servicio eficiente y confiable en la reparación de herramientas eléctricas. Si necesita consejo técnico, reparaciones o piezas de repuesto originales de fábrica, póngase en contacto con el centro de servicio de Black & Decker más cercano a su domicilio. Para ubicar su centro de servicio local, llame al **1-800-544-6986** o visite nuestro sitio **www.blackanddecker.com**.

GARANTÍA LIMITADA DE DOS AÑOS

Black & Decker (U.S.) Inc. garantiza que este producto está libre de defectos de material o mano de obra durante un período de dos (2) años desde la fecha de compra, siempre y cuando el producto se utilice en un entorno doméstico. Esta garantía limitada no cubre contra fallas debidas a mal uso, daño accidental o cuando se han realizado o intentado reparaciones por parte de cualquier otra persona ajena a Black & Decker y sus centros de mantenimiento autorizados. Un producto defectuoso que cumple con las condiciones de la garantía establecidas en el presente documento será reemplazado o reparado sin costo de una dos maneras:

La primera, que únicamente dará lugar a intercambios, consiste en devolver el producto al comerciante minorista donde fue comprado (siempre y cuando la tienda sea un comerciante minorista participante). Las devoluciones deben realizarse dentro del período establecido en la política para intercambios del comerciante minorista. Es posible que se requiera el comprobante de compra. Consulte al comerciante minorista sobre su política específica de devoluciones con respecto a los límites de tiempo para devoluciones o intercambios.

La segunda opción es llevar o enviar (pagado por adelantado) el producto a un centro de mantenimiento de propiedad o con autorización de Black & Decker para su reparación o reemplazo a discreción de Black & Decker. Es posible que se requiera un comprobante de compra. Los centros de mantenimiento de propiedad o con autorización de Black & Decker se en línea en **www.blackanddecker.com**.

Esta garantía no se aplica a los accesorios. Esta garantía le otorga derechos legales específicos y es posible que tenga otros derechos que varían de un estado a otro. En caso de que tenga alguna pregunta, comuníquese con el gerente del centro de mantenimiento de Black & Decker más cercano a usted. Este producto no está diseñado para uso comercial y, en consecuencia, dicho uso comercial de este producto anulará la garantía. Por medio del presente documento, se declina la responsabilidad de todas las demás garantías, explícitas o implícitas.

AMÉRICA LATINA: Esta garantía no se aplica a productos vendidos en América Latina. Para los productos que se venden en América Latina, consulte la información de garantía específica del país contenida en el empaque, llame a la compañía local o visite el sitio web para obtener dicha información.

**· GARANTÍA BLACK & DECKER · BLACK & DECKER WARRANTY
· SOLAMENTE PARA PROPOSITOS DE MEXICO**

Distributor Name · **Sello firma del distribuidor**

Date of purchase · **Fecha de compra**

Invoice No. · No. de factura

PRODUCT INFORMATION · IDENTIFICACIÓN DEL PRODUCTO

Cat. No. · **Catalogo ó Modelo**

Serial Number · No. de serie

Name · **Nombre**

Last Name · Apellido

Address · **Dirección**

City · **Ciudad**

State · Estado

Postal Code · **Código Postal**

Country · País

Telephone · **No. Teléfono**

2 ANOS DE GARANTIA

Este producto cuenta con dos años de garantía a partir de la fecha de compra contra cualquier defecto de su funcionamiento, así como cualquier falla debido a materiales empleados para su fabricación ó mano de obra defectuosa.

Nuestra garantía incluye la reparación o reposición del producto y/o componentes sin cargo alguno para el cliente incluyendo la mano de obra, esta incluye los gastos de trasportación erogados para lograr cumplimiento de esta garantía en los domicilios diversos señalados.

Para hacer efectiva esta garantía deberá presentar su herramienta y esta póliza sellada por el establecimiento comercial donde se adquirió el producto.

Nos comprometemos a entregar el producto en un lapso no mayor a 30 días hábiles contados a partir de la fecha de recepción del mismo en nuestros talleres de servicio autorizados.

ESTA GARANTIA NO APLICA CUANDO:

El producto se hubiese utilizado en condiciones distintas a las normales.

El producto no hubiese sido operado de acuerdo con el instructivo de uso que se acompaña.

El producto hubiese sido alterado o reparado por personas no autorizadas por nosotros.

Importador: Black & Decker S.A. de .C.V

Bosque de Cidros Acceso Radiatas No.42

3ra.Seccion de Bosques de las lomas

C.P.05120, Mexico, D.F. Tel: (01 55) 5326 7100

SOLAMENTE PARA PROPOSITOS DE MEXICO

**Grupo Realsa en herramientas,
S.A. de C.V.**
Súper Manzana 69 MZ.01 Lote 30
(Av. Torcasita)
Col. Puerto Juárez
Cancún, Quintana Roo
Tel. 01 998 884 72 27

Ferre Pat de Puebla, S.A. de C.V.
16 de Septiembre No. 6149
Col. El Cerrito
Puebla, Puebla
Tel. 01 222 264 12 12

Ferre Pat de Puebla, S.A. de C.V.
Ejército Mexicano No. 15
Col. Ejido 1ro. de Mayo
Boca del Rio, Veracruz
Tel. 01 229 167 89 89

**Servicio de Fabrica Black & Decker,
S.A. de C.V.**
Lázaro Cardenas No. 18
Col. Obrera
Distrito Federal
Tel. 55 88 95 02

**Representaciones Industriales Robles,
S.A. de C.V.**
Tezozomoc No. 89
Col. La Preciosa
Distrito Federal
Tel. 55 61 86 82

**Gpo. Comercial de Htas. y Refacciones
de Occidente, S.A. de C.V.**
Av. La Paz No. 1779
Col. Americana, S. Juaréz
Guadalajara, Jalisco
Tel. 01 33 38 25 69 78

Herramientas y Equipos Profesionales
Av. Colón 2915 Ote.
Col. Francisco I. Madero
Monterrey, Nvo. León
Tel. 01 81 83 54 60 06

**Htas. Portátiles de Chihuahua,
S.A. de C.V.**
Av. Universidad No. 2903
Col. Fracc. Universidad
Chihuahua, Chihuahua
Tel. 01 614 413 64 04

Fernando González Armenta
Bolivia No. 605
Col. Felipe Carrillo Puerto
Cd. Madero, Tamaulipas
Tel. 01 833 221 34 50

Perfiles y Herramientas de Morelia
Gertrudis Bocanegra No. 898
Col. Ventura Puente
Morelia, Michoacán
Tel. 01 443 313 85 50

Enrique Robles
Av. de la Solidaridad No. 12713
Col. La Pradera
Irapuato, Guanajuato
Tel. 01 462 626 67 39

Hernández Martinez Jeanette
Prolongación Corregidora Nte. No. 1104
Col. Arboledas
Queretaro, Qro.
Tel. 01 442 245 25 80

PARA OTRAS LOCALIDADES LLAME AL 01 800 847 2309 o 01 800 847 2312.

BLACK+DECKER S.A. DE C.V.
BOSQUES DE CIDROS ACCESO RADIATAS NO. 42
COL. BOSQUES DE LAS LOMAS.
05120 MÉXICO, D.F.
TEL. (01 55) 5326 7100
01 800 847 2309/01 800 847 2312

Cat. No. PAD1200

March 2014

Copyright© 2014 Black & Decker

Form No. 90609591

Printed in China

Free Manuals Download Website

<http://myh66.com>

<http://usermanuals.us>

<http://www.somanuals.com>

<http://www.4manuals.cc>

<http://www.manual-lib.com>

<http://www.404manual.com>

<http://www.luxmanual.com>

<http://aubethermostatmanual.com>

Golf course search by state

<http://golfingnear.com>

Email search by domain

<http://emailbydomain.com>

Auto manuals search

<http://auto.somanuals.com>

TV manuals search

<http://tv.somanuals.com>