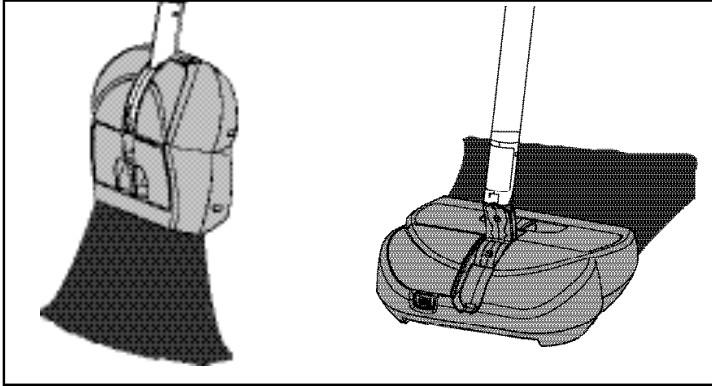


BLACK & DECKER

SWEEP & Collect

INSTRUCTION MANUAL

Catalog Numbers: SNC100, SNC100B



BEFORE RETURNING THIS PRODUCT FOR ANY REASON PLEASE CALL

1-800-54-HOW-TO (544-6986)

IF YOU SHOULD EXPERIENCE A PROBLEM WITH YOUR BLACK & DECKER PRODUCT, CALL 1-800-54-HOW-TO (544-6986)

BEFORE YOU CALL, HAVE THE FOLLOWING INFORMATION AVAILABLE, CATALOG NO., TYPE NO., AND DATE CODE. IN MOST CASES, A BLACK & DECKER REPRESENTATIVE CAN RESOLVE YOUR PROBLEM OVER THE PHONE. IF YOU HAVE A SUGGESTION OR COMMENT, GIVE US A CALL YOUR FEEDBACK IS VITAL TO BLACK & DECKER.

Key Information You Should Know

- Dirt cup can only be removed and emptied when in sweep mode.
- Do not push dirt cup emptying button when removing from unit.
- For best pick-up performance while in collect mode, the broom head bristles should be facing towards you.
- Use only with AA alkaline batteries.

SAVE THIS MANUAL FOR FUTURE REFERENCE.

CONSERVER LE PRÉSENT GUIDE À TITRE DE RÉFÉRENCE. VEA EL ESPAÑOL EN LA CONTRAPORTADA.

INSTRUCTIVO DE OPERACIÓN, CENTROS DE SERVICIO Y PÓLIZA DE GARANTÍA. ADVERTENCIA: LÉASE ESTE INSTRUCTIVO ANTES DE USAR EL PRODUCTO.

Catalog Number: SNC100, SNC100B
Copyright © 2006 Black & Decker

FORM NO. 5146821-00, Rev. 1

PRINTED IN CHINA
(JAN. '06)

⚠ WARNING: Important Safety Warnings and Instructions

When using electrical appliances, basic safety precautions should always be followed, including the following:

PLEASE READ AND UNDERSTAND ALL INSTRUCTIONS CAREFULLY BEFORE USING THE UNIT.

⚠ **WARNING:** To reduce the risk of fire, electrical shock or injury:

- Close supervision is necessary when any appliance is used near children. Do not allow to be used as a toy.
- Do not operate in the presence of explosives and/or flammable fumes or liquids.
- Always store and use the Sweep and Collect indoors.
- Keep hair, loose clothing, and all parts of body away from moving parts.
- Store out of reach of children.
- This appliance is intended for household use only and not for commercial or industrial use.
- Use only as described in this manual.
- Do not put any object into unit openings. Keep end of rotating brush and other openings away from your face and body.
- Use extra caution when cleaning on stairs.
- Keep work areas well lit.
- Do not pick up sharp large objects that may damage Sweep and Collect.
- Do not use on wet surfaces or to pick up any liquids, toxic substances, flammable or combustible liquids such as gasoline or use in areas where they may be present.
- Do not use without dirt cup in place.
- Do not pick up anything that is burning or smoking, such as cigarettes, matches, or hot ashes.
- Any electronic or electrical appliance should not be stored in or exposed to areas of high heat or humidity. Do not store your Sweep and Collect close to stoves, radiators, furnaces or in a bathroom or bathing area.

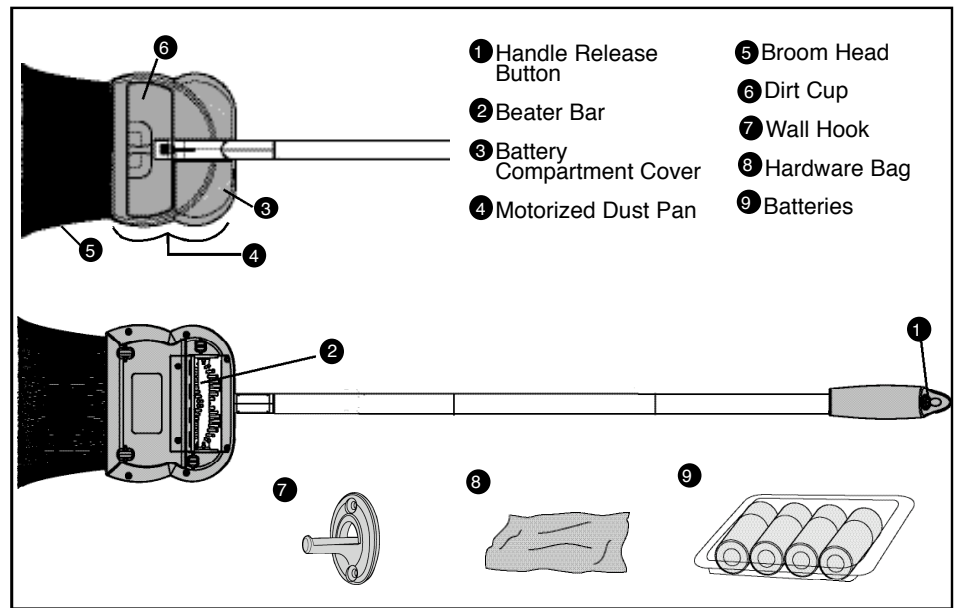
SAVE THESE INSTRUCTIONS

SPECIFIC SAFETY RULE

⚠ **WARNING:** Some dust created by this product contains chemicals known to the State of California to cause cancer, birth defects or other reproductive harm. Some examples of these chemicals are:

- compounds in fertilizers
- compounds in insecticides, herbicides and pesticides
- arsenic and chromium from chemically treated lumber

To reduce your exposure to these chemicals, wear approved safety equipment such as dust masks that are specially designed to filter out microscopic particles.



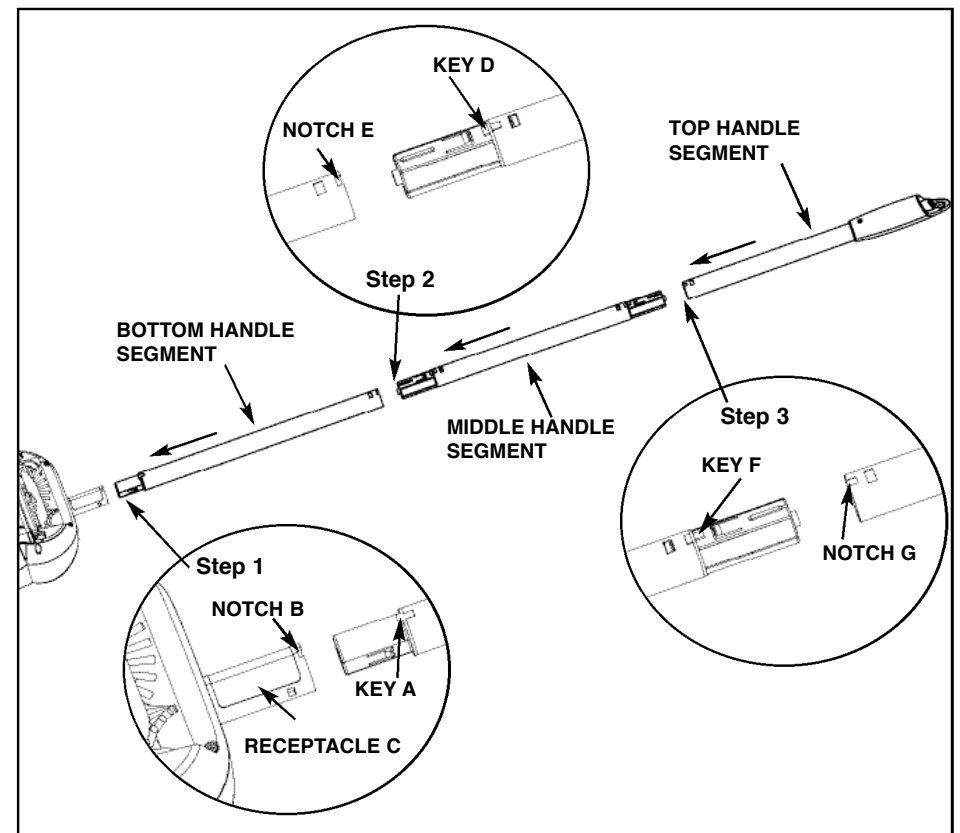
Features

* Depending on model purchased, your unit may not appear exactly as shown.

* **BEFORE FIRST USE** remove all components from the packaging and familiarize yourself with them to help you in the assembly and operation of your Sweep & Collect. The batteries, hardware bag and hanging hook are located in the dirt cup and need to be removed before the first use. To remove and open the dirt cup, please follow the "Emptying The Dirt Cup" instructions.

Handle Assembly (SNC100B only)

1. Insert the plastic end of the bottom handle segment into the motorized dust pan. Be sure to align the key (A) in the plastic connector with the notch (B) in the receptacle (C). Push in until the connector "clicks" in place.
2. The middle handle segment can be assembled to the bottom segment in only one way. Ensure the shape of the key (D) in the connector matches the shape of the notch (E) in the tube of the bottom segment before inserting and snapping in place.
3. Assemble the top handle segment to the middle segment in a similar fashion. (F & G)

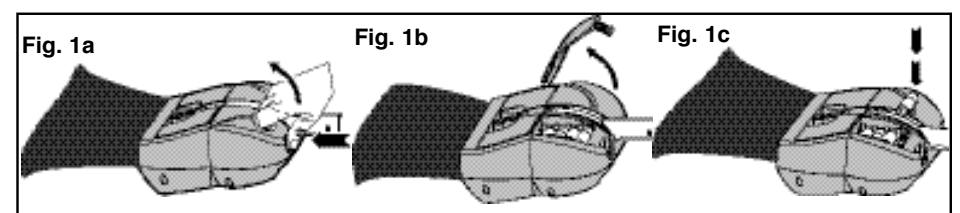


Battery Installation

Note: Before installing batteries, ensure handle is locked in place. (Fig. 1c, Fig. 2)

⚠ **WARNING:** Use caution when removing batteries as they may become hot if the unit is used in collect mode for extended periods of time.

Remove the battery compartment cover by pushing the tab (Fig. 1a) and rotating up as shown in Fig. 1b. Insert four fresh alkaline AA batteries (Fig. 1c) making sure to match (+) and (-) terminals correctly and reinstall the battery compartment cover. Use alkaline batteries only.



⚠ **WARNING:** Batteries can explode, or leak, and can cause injury or fire. To reduce this risk:

- Carefully follow all instructions and warnings on the battery label and package.
- Always insert batteries correctly with regard to polarity (+ and -), marked on the battery and the equipment.
- Do not short battery terminals.
- Do not charge batteries.
- Do not mix old and new batteries. Replace all of them at the same time with new batteries of the same brand and type.
- Remove dead batteries immediately and dispose of per local codes.
- Do not dispose of batteries in fire.
- Keep batteries out of reach of children.
- Remove batteries if the device will not be used for several months.
- Transporting batteries can possibly cause fires if the battery terminals inadvertently come in contact with conductive materials such as keys, coins, hand tools and the like. The US Department of Transportation Hazardous Material Regulations (HMR) actually prohibit transporting batteries in commerce or on airplanes (i.e. packed in suitcases and carryon luggage) UNLESS they are properly protected from short circuits. So when transporting individual batteries, make sure that the battery terminals are protected and well insulated from materials that could contact them and cause a short circuit.

Installing The Wall Hook

Note: It is highly recommend to hang the Sweep and Collect on the provided hook or similar device to prevent damage to the broom head.

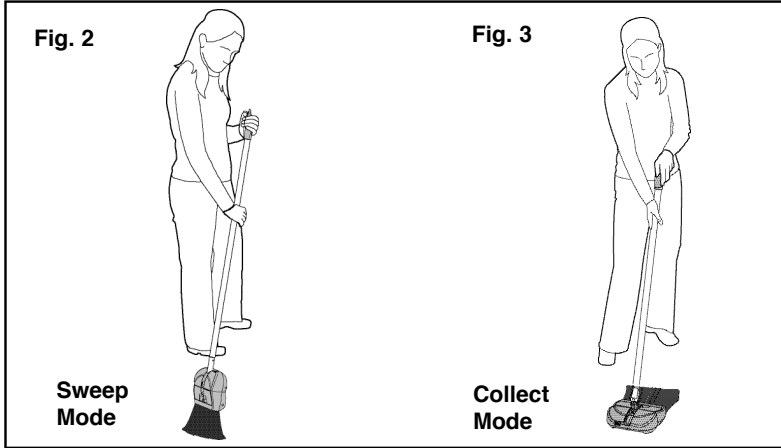
Firmly attach the provided wall hook to the wall so it will not pull out. It should be mounted at a minimum height of 54" (137 cm) to its' bottom to ensure the broom head does not touch the floor. (Fig. 8a) Use the hardware provided only if hanging on conventional hollow wall construction such as sheetrock over studs. If not, use the appropriate fasteners for the particular wall material.

Operation

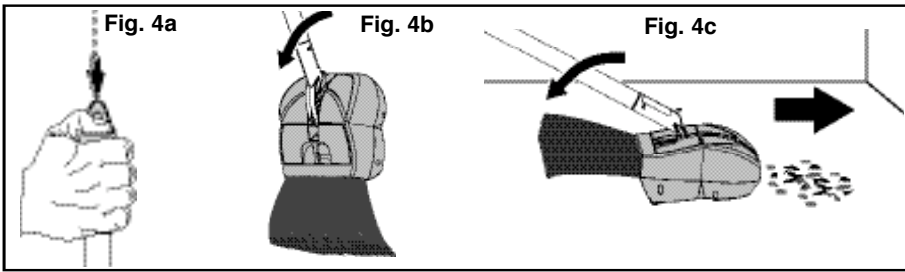
WARNING: Do not use the Sweep and Collect without the dirt cup in place.

Note: The Sweep and Collect is to be used for pick up of dry debris on hard floors only. Avoid picking up pieces of string and similar material to prevent binding of the beater bar.

How to Operate

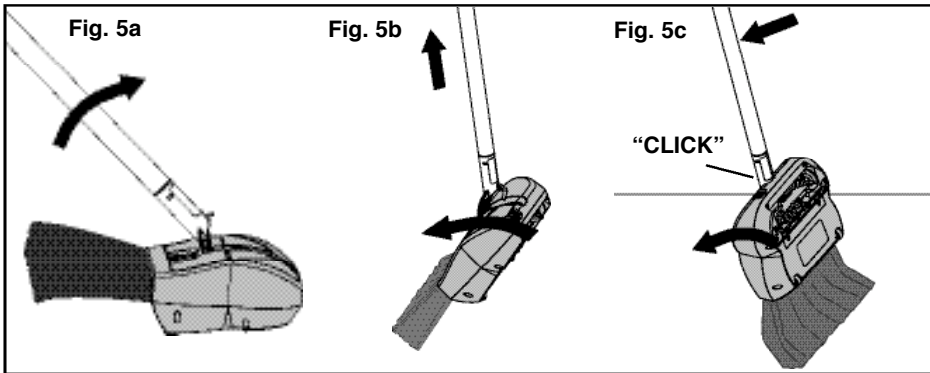


- To change from sweep (Fig. 2) to collect mode (Fig. 3), push the button in the end of the handle (Fig. 4a) and rotate the handle towards the broom bristles as shown in Fig. 4b. At this point, the beater bar should start turning.



Note: During collection mode, the beater bar can be momentarily stopped by pushing the button in the end of the handle.

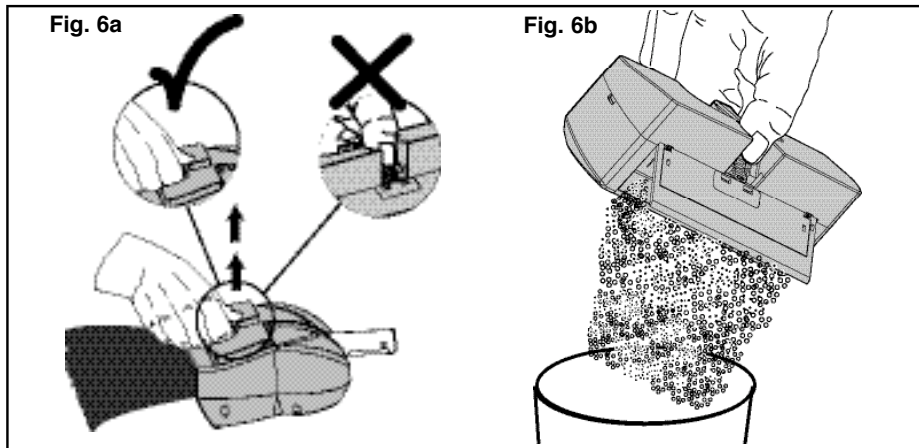
- Roll the unit back and forth over the pile of debris to collect it into the dirt cup. For best pick up performance, the broom head bristles should be facing away from the dirt pile as shown above (Fig. 4c).
- To change back to sweep mode, rotate handle back into slot in housing (Fig. 5a) until it latches (Fig. 5b) and you hear a "click" sound (Fig. 5c). To make it easier to return the handle to the sweep position, the button in the end of the handle can be pressed. At this point, the beater bar should stop turning.



Emptying The Dirt Cup

Note: The unit needs to be in sweep mode (Fig. 2) before the dirt cup can be removed. It is important not to use excessive force to remove the dirt cup. If the dirt cup seems stuck in the housing, follow the "Unclogging the Unit" procedure.

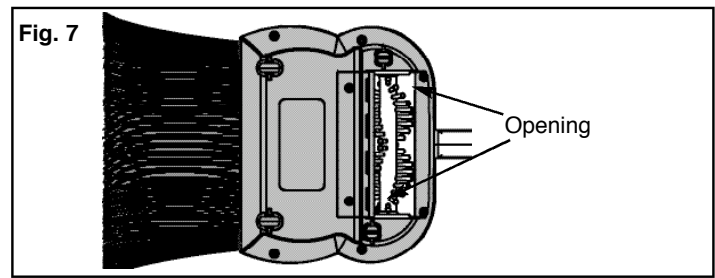
- Remove the dirt cup from unit by pulling straight up as shown. Do not push on emptying button when pulling out. (Fig. 6a)
- Hold the dirt cup over a garbage container and empty by completely depressing emptying button and shaking moderately. (Fig. 6b)
- Release the button and push the dirt cup back into the motorized dust pan until flush with top surface.



Unclogging the Unit

Note: Dirt cup door mechanism must be free of debris to fully close and allow removal of the dirt cup.

- Remove batteries from the unit.
- Rotate handle to change to collect mode. (Fig. 3)
- Flip over to access the opening (Fig. 7) extending from the beater bar to the dirt cup.
- Clean out any debris in this opening and at the entrance to the dirt cup that may impede the operation of the beater bar or the dirt cup door mechanism.
- Return to sweep mode.
- Replace the batteries.



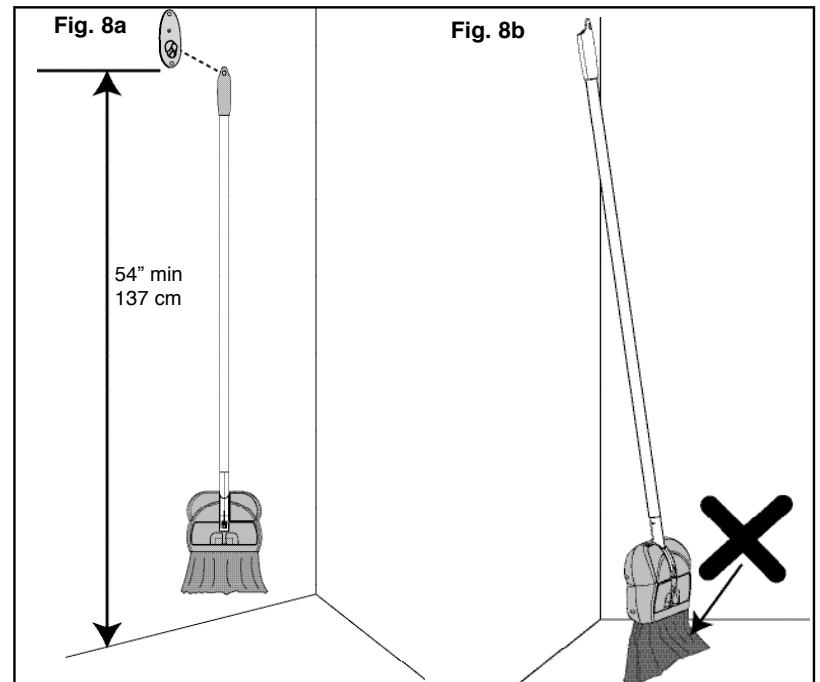
Maintaining the Beater Bar

Note: Periodic maintenance to the beater bar is required to ensure optimum pick up performance.

- Remove the batteries from the unit.
- Flip over to access the beater bar.
- Remove any hair or other debris that is wrapped around or is trapped near the beater bar to ensure it can rotate freely.
- Replace the batteries.

Cleaning and Storage

- It is suggested that the dirt cup is emptied before storage.
- Hang unit on hook or other device when not in use to keep broom head in best condition (Fig. 8a).
- Do not store the Sweep and Collect resting on the broom head (Fig. 8b) as this will result in permanent damage to the bristles.
- Periodically clean the unit with a damp cloth, including the chamber which the dirt cup fits into. Remove any hair, fiber or other materials that may have built up in the unit or on the rotating brush.
- Don't use abrasive materials to clean the sweeper. Do not immerse the unit in water.



TROUBLESHOOTING GUIDE

PROBLEM	POSSIBLE REASON	POSSIBLE SOLUTION
Motorized dust pan will not operate	<ol style="list-style-type: none"> Batteries depleted. Button is depressed. Handle is in sweep position. Unit needs servicing. Beater bar jammed. 	<ol style="list-style-type: none"> Install new alkaline batteries. Release button. Change to collect mode. Call Customer Service. Clean hair or debris from beater bar.
Motorized dust pan will not pick-up	<ol style="list-style-type: none"> Dirt cup is full. Batteries depleted. Beater bar jammed or clogged. Unit clogged 	<ol style="list-style-type: none"> Empty dirt cup. Install new alkaline batteries. Clean hair or debris from beater bar. Check for excessive material on beater bar or in bottom of sweeper. Follow "Unclogging the Unit" and "Maintaining the Beater Bar" instructions.
Motorized dust pan does not roll smoothly on floor.	<ol style="list-style-type: none"> Rollers are clogged with debris. 	<ol style="list-style-type: none"> Position handle in sweep mode to turn brush roll off. Clean any hair/debris from rollers (4), shafts and wheel wells.
Dirt cup is difficult to remove / replace	<ol style="list-style-type: none"> Dirt build up in unit. Obstruction in dirt path has jammed dirt cup door open. Handle is in incorrect position 	<ol style="list-style-type: none"> Remove dirt cup and clean it and inside of unit with damp cloth. Check for excessive material in bottom of sweeper. Follow "Unclogging the Unit" instructions. Change to sweep mode.
Brush roll will not turn off	<ol style="list-style-type: none"> Handle is not locked in sweep position. 	<ol style="list-style-type: none"> Press handle into unit until securely fitted.

Service Information

Black & Decker offers a full network of company-owned and authorized service locations throughout North America. All Black & Decker Service Centers are staffed with trained personnel to provide customers with efficient and reliable service.

Whether you need technical advice, repair, or genuine factory replacement parts, contact the Black & Decker location nearest you.

To find your local service location, refer to the yellow page directory under "Tools—Electric" or call: 1-800-54-HOW-TO.

Full Two-Year Home Use Warranty

Black & Decker (U.S.) Inc. warrants this product for two years against any defects in material or workmanship. The defective product will be replaced or repaired at no charge in either of two ways:

The first, which will result in exchanges only, is to return the product to the retailer from whom it was purchased (provided that the store is a participating retailer). Returns should be made within the time period of the retailer's policy for exchanges (usually 30 to 90 days after the sale). Proof of purchase may be required. Please check with the retailer for their specific return policy regarding returns that are beyond the time set for exchanges. The

second option is to take or send the product (prepaid) to a Black & Decker owned or authorized Service Center for repair or replacement at our option. Proof of purchase may be required.

Black & Decker owned and authorized service centers are listed under "Tools-Electric" in the yellow pages of the phone directory.

This warranty does not apply to accessories. This warranty gives you specific legal rights and you may have other rights which vary from state to state. Should you have any questions, contact the manager of your nearest Black & Decker Service Center.

This product is not intended for commercial use.

Free warning label replacement: If your warning labels become illegible or are missing, call 1-800-544-6986 for a free replacement.

Black & Decker (U.S.) Inc.,
701 E. Joppa Rd.
Towson, MD 21286 U.S.A.



See 'Tools-Electric'
- Yellow Pages -
for Service & Sales



AVANT DE RETOURNER CE PRODUIT POUR QUELQUE RAISON QUI SOIT, VEUILLEZ APPELER AU 1-800-54-HOW-TO (544-6986)

Voici des renseignements importants qu'il vous faut savoir :

- Le vide-poussière ne peut être enlevé et vidé qu'en mode de balayage.
- Ne pas enfoncer le bouton de vidage du vide-poussière au moment de le retirer de l'appareil.
- Pour un ramassage optimal, en mode de ramassage, les soies du balai-brosse doivent vous faire face.
- Utiliser l'appareil uniquement avec des piles alcalines AA.

⚠ AVERTISSEMENT : Avertissements de sécurité et directives importantes :

Lorsqu'on utilise un appareil électrique, il faut toujours respecter certaines règles de sécurité fondamentales, notamment les suivantes :

LIRE ATTENTIVEMENT TOUTES LES DIRECTIVES AVANT D'UTILISER L'APPAREIL.

⚠ **AVERTISSEMENT** : Afin de minimiser les risques d'incendie, de chocs électriques ou de blessures :

- Exercer une étroite surveillance pour l'utilisation de tout appareil à proximité d'enfants. Interdire l'utilisation de l'appareil comme jouet.
- Ne pas utiliser l'appareil en présence de vapeurs ou de liquides explosifs ou inflammables.
- Toujours ranger et utiliser l'appareil Sweep and Collect à l'intérieur.
- Maintenir les cheveux, vêtements et toutes les parties du corps à distance de tous les composants mobiles.
- Ranger l'appareil hors de la portée des enfants.
- Cet appareil est conçu pour une utilisation domestique seulement et non industrielle ou commerciale.
- Utiliser l'appareil uniquement selon les indications données dans le présent manuel.
- Ne pas insérer d'objet dans les ouvertures de l'appareil. Tenir l'extrémité de la brosse tournante et toute autre ouverture loin du visage et du corps.
- Être très prudent pour nettoyer les escaliers.
- Tenir la zone de travail bien éclairée.
- Ne pas ramasser de gros objets tranchants pouvant endommager l'appareil Sweep and Collect.
- Ne pas utiliser l'appareil sur une surface mouillée ou pour ramasser des liquides, des substances toxiques, inflammables ou combustibles comme de l'essence et ne pas l'utiliser dans les endroits où ces substances sont présentes.
- Ne pas utiliser l'appareil si le vide-poussière n'est pas en place.
- Ne pas ramasser des matières brûlantes ou fumantes comme des cigarettes, des allumettes ou des cendres chaudes.
- Éviter de ranger tout appareil électronique ou électrique dans un endroit de grande chaleur ou humidité ou de l'exposer à de telles conditions. Ne pas ranger votre appareil Sweep and Collect près d'une cuisinière, d'un radiateur, d'une fournaise ou dans la salle de bain.

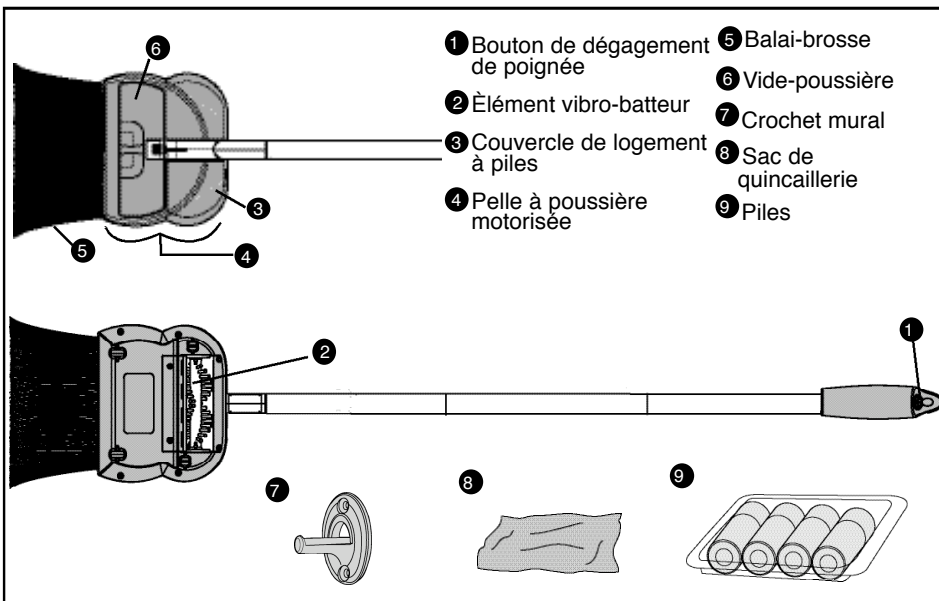
CONSERVER CES DIRECTIVES

RÈGLE DE SÉCURITÉ SPÉCIFIQUE

⚠ **AVERTISSEMENT** : Certaines poussières produites par cet outil contiennent des produits chimiques reconnus par l'État de la Californie comme pouvant causer le cancer, les anomalies congénitales et d'autres dangers pour la reproduction. Voici quelques exemples de ces produits chimiques :

- composés présents dans les engrais
- composés présents dans les insecticides, herbicides et pesticides
- arsenic et chrome présents dans le bois d'œuvre traité chimiquement.

Pour réduire toute exposition à ces produits chimiques, porter un équipement de sécurité approuvé comme un masque antipoussière conçu spécialement pour filtrer les particules microscopiques.



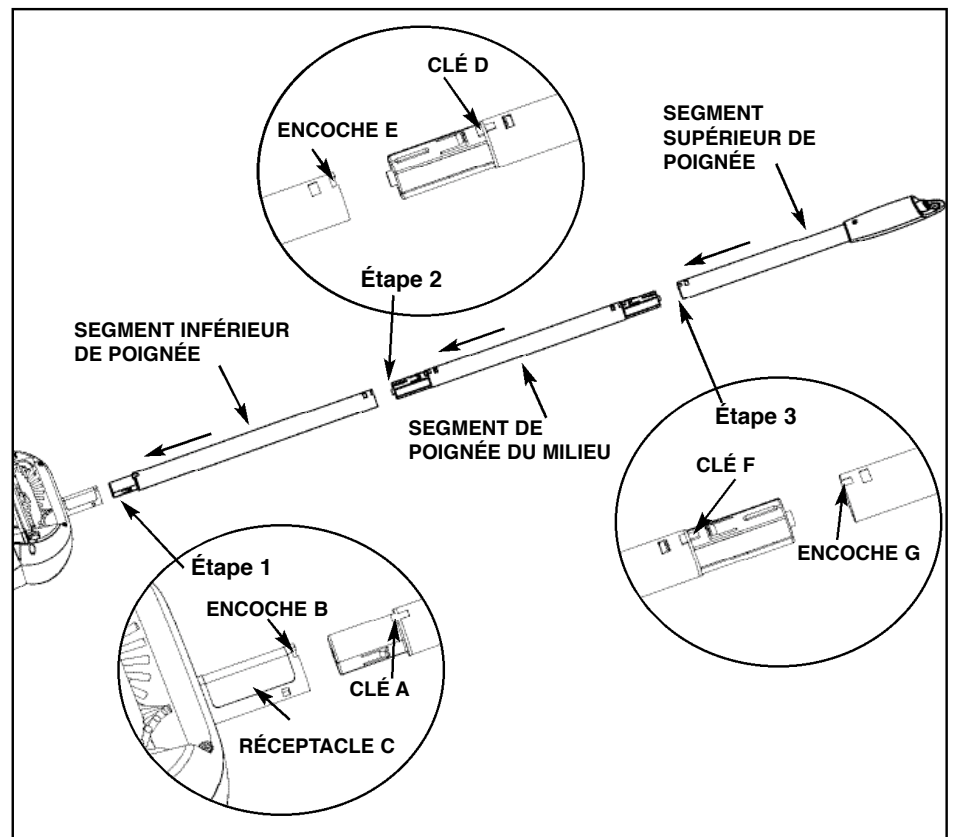
Caractéristiques

* Selon le modèle acheté, il est possible que votre appareil diffère de celui illustré.

* **AVANT LA PREMIÈRE UTILISATION**, déballez tous les composants et se familiariser avec ceux-ci pour faciliter l'assemblage et l'utilisation du Sweep & Collect. Les piles, le sac de quincaillerie et le crochet de suspension se trouvent dans le vide-poussière et doivent être enlevés avant la première utilisation. Pour retirer et ouvrir le vide-poussière, veuillez suivre les directives « Vider le vide-poussière » du manuel.

Module de la poignée (modèle SNC100B uniquement)

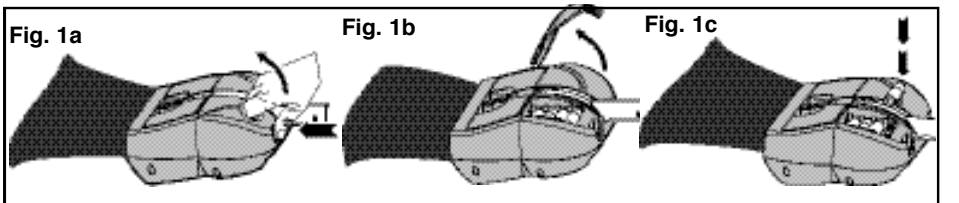
1. Insérer l'extrémité de plastique du segment inférieur de la poignée, dans la pelle à poussière motorisée. S'assurer d'aligner la clé (A) du connecteur de plastique avec l'encoche (B) dans le réceptacle (C). Enfoncer jusqu'à ce que le connecteur s'enclenche.
2. Le segment du milieu de la poignée s'assemble dans le segment inférieur dans un seul sens. S'assurer que le format de la clé (D) du connecteur correspond au format de l'encoche (E) dans le tube du segment inférieur avant de l'insérer et de l'enclencher.
3. Insérer le segment supérieur de la poignée dans le segment du milieu de façon similaire. (F et G)



Installation des piles

Remarque : Avant de poser les piles, s'assurer que la poignée est verrouillée en place. (fig. 1c, fig. 2)

⚠ **AVERTISSEMENT** : Être prudent pour retirer les piles, car elles peuvent être chaudes si le balai a été utilisé en mode de ramassage pour une longue période. Retirer le couvercle du logement des piles en enfonçant la languette (figure 1a) et en la tournant vers le haut comme il est indiqué à la figure 1b. Insérer quatre piles alcalines AA neuves (figure 1c) et s'assurer de bien correspondre les bornes (+) et (-), puis remettre le couvercle du logement des piles. Utiliser uniquement des piles alcalines.



⚠ **AVERTISSEMENT** : Les piles peuvent exploser ou couler et causer blessures ou incendie. Pour réduire ce risque :

- Suivre attentivement toutes les instructions et avertissements figurant sur l'étiquette des piles et l'emballage de l'appareil.
- Toujours insérer les piles de manière à correspondre à la bonne polarité (+ et -), telle qu'indiquée sur les piles et le matériel.
- Ne pas créer de court-circuit dans les bornes des piles.
- Ne pas charger les piles.
- Ne pas mélanger piles neuves et usagées. Les remplacer toutes en même temps par des piles neuves de la même marque et du même type.
- Retirer immédiatement les piles mortes et les éliminer en fonction des codes régionaux en vigueur.
- Ne pas jeter de piles au feu.
- Garder les piles hors de la portée des enfants.
- Retirer les piles si l'appareil ne sera pas utilisé pendant plusieurs mois.
- Le transport des piles peut causer un incendie si les bornes des piles entrent en contact involontairement avec des matières conductrices comme des clés, de la monnaie, des outils manuels et d'autres éléments semblables. La Hazardous Material Regulation du département américain des transports interdit en fait le transport des piles pour le commerce et dans les avions (ex. : piles emballées dans des valises et des bagages à main) À MOINS qu'elles ne soient bien protégées contre les courts-circuits. Pour le transport des piles individuelles, s'assurer que les bornes sont protégées et bien isolées contre toute matière pouvant entrer en contact avec elles et causer un court-circuit.

Installation du crochet mural

Remarque : nous vous recommandons vivement d'accrocher l'appareil Sweep and Collect au moyen du crochet fourni ou d'un dispositif semblable afin d'éviter d'endommager le balai-brosse.

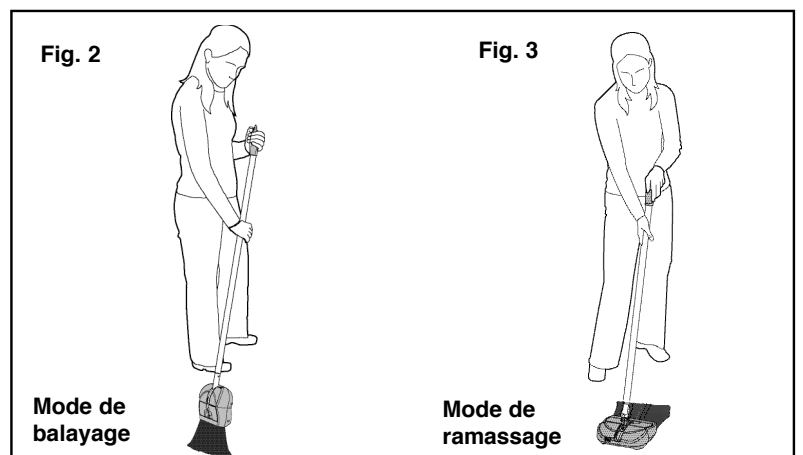
Fixer fermement le crochet mural fourni de manière à ce qu'il ne sorte pas du mur. Le crochet doit être fixé à une hauteur minimale de 137 cm (54 po) de manière à ce que le balai-brosse ne touche pas au plancher. (fig. 8a) Utiliser la quincaillerie fournie uniquement si l'appareil est accroché sur un mur creux conventionnel comme le Gyproc posé sur des montants. Si ce n'est pas le cas, employer les fixations appropriées prévues pour le matériau constituant le mur utilisé.

Fonctionnement

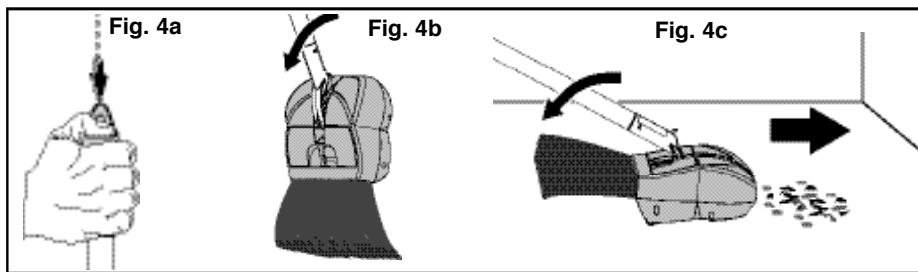
⚠ **AVERTISSEMENT** : Ne pas utiliser l'appareil Sweep and Collect si son vide-poussière n'est pas en place.

Remarque : L'appareil Sweep and Collect est utilisé uniquement pour ramasser les débris secs sur des planchers en dur. Éviter de ramasser des sections de fils ou tout matériau semblable afin d'éviter tout coincement de l'élément vibro-batteur.

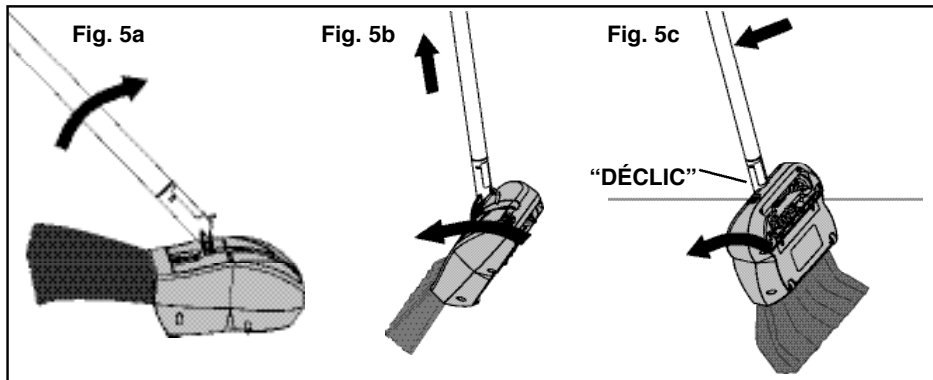
Fonctionnement



- Pour passer du mode de balayage (figure 2) au mode de ramassage (figure 3), enfoncer le bouton situé à l'extrémité de la poignée (figure 4a), puis tourner la poignée vers les soies du balai comme le montre la figure 4b. À ce moment-là, l'élément vibro-batteur devrait commencer à tourner.

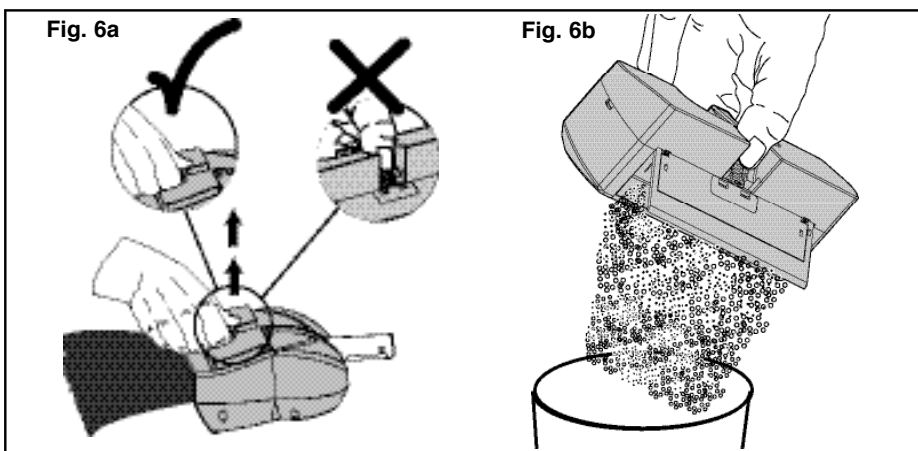


- Remarque :** En mode de ramassage, l'élément vibro-batteur peut être arrêté momentanément en enfonçant le bouton situé à l'extrémité de la poignée.
- Faire rouler l'appareil dans un mouvement de va-et-vient, sur le tas de débris pour le ramasser et l'expédier dans le vide-poussière. Pour un ramassage optimal, les soies du balai doivent être dirigées à l'opposé du tas de débris comme il est indiqué ci-dessus (figure 4 c).
 - Pour retourner au mode de balayage, remettre la poignée dans la fente du boîtier (figure 5a) de manière à s'encastrer (figure 5b), un dé clic sera émis (figure 5c). Pour remettre facilement la poignée à la position de balayage, il suffit d'enfoncer le bouton logé à son extrémité. L'élément vibro-batteur devrait arrêter de tourner.



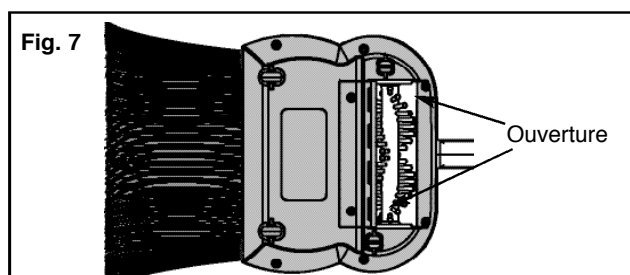
Remarque sur le vidage du vide-poussière : L'appareil doit être en mode de balayage (figure 2) pour enlever le vide-poussière. Il importe de ne pas forcer excessivement pour retirer le vide-poussière. Si le vide-poussière semble coincé dans le boîtier, suivre la procédure « Désobstruction de l'appareil ».

- Retirer le vide-poussière de l'appareil en le remontant comme il est illustré. Ne pas enfoncer le bouton de vidage au moment de retirer le vide-poussière. (Fig. 6a)
- Tenir le vide-poussière au-dessus d'une poubelle et le vider. Pour ce faire, enfoncer le bouton de vidage et secouer doucement le vide-poussière. (Fig. 6b)
- Relâcher le bouton, puis remettre le vide-poussière dans la pelle à poussière motorisée de manière à être au ras de la surface supérieure.



Remarque sur la section Désobstruction de l'appareil : Le mécanisme de la porte du vide-poussière doit être exempt de débris pour bien fermer et permettre à la dépose du vide-poussière.

- Dépose des piles de l'appareil.
- Tourner la poignée pour passer au mode de ramassage. (Fig. 3)
- Renverser l'appareil pour accéder à l'ouverture (figure 7) qui se situe entre l'élément vibro-batteur et le vide-poussière.
- Nettoyer tout débris logé dans l'ouverture et à l'entrée du vide-poussière pouvant nuire au fonctionnement de l'élément vibro-batteur ou au mécanisme de la porte du vide-poussière.
- Retourner au mode de balayage.
- Remettre les piles.

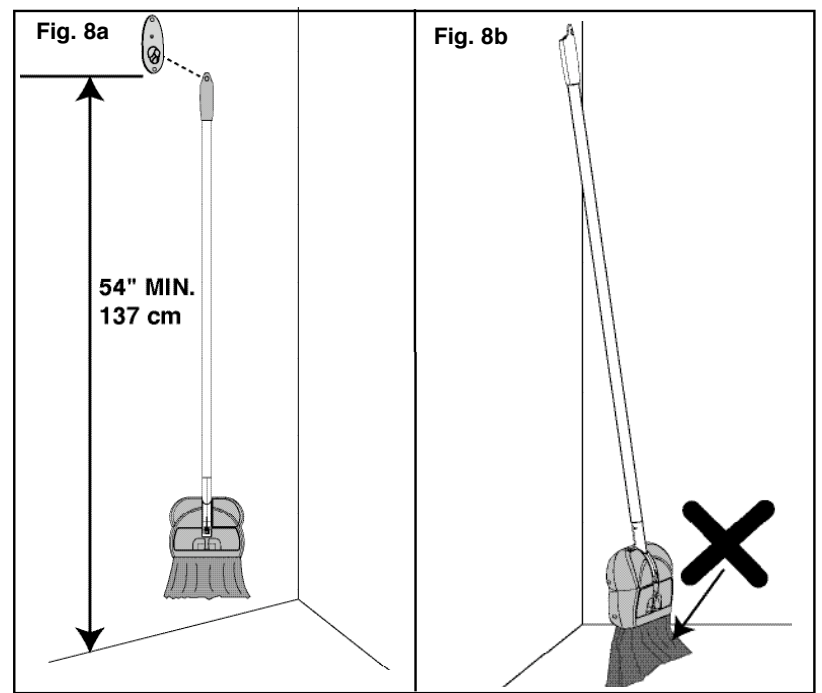


Remarque sur l'entretien de l'élément vibro-batteur : Un entretien périodique de l'élément vibro-batteur est nécessaire pour assurer un ramassage optimal.

- Retirer les piles de l'appareil.
- Renverser l'appareil pour accéder à l'élément vibro-batteur.
- Enlever tout cheveu ou débris enroulé autour de l'élément vibro-batteur ou qui y est emprisonné afin que l'élément puisse tourner librement.
- Remettre les piles.

Nettoyage et rangement

- Nous vous suggérons de vider le vide-poussière avant de ranger l'appareil.
- Accrocher l'appareil au moyen du crochet ou de tout autre dispositif lorsqu'il n'est pas utilisé pour maintenir le balai-brosse en bon état (figure 8a).
- Ne pas ranger l'appareil Sweep and Collect de manière à ce qu'il repose sur son balai-brosse (figure 8b), car les soies risquent d'être endommagées irrémédiablement.
- Nettoyer périodiquement l'appareil avec un chiffon humide et ne pas oublier l'enceinte dans laquelle repose le vide-poussière. Enlever les cheveux, fibres ou autres matières pouvant s'accumuler dans l'appareil ou sur la brosse tournante.
- Ne pas utiliser de matériau abrasif pour nettoyer le balai mécanique. Ne pas immerger l'appareil dans l'eau.



GUIDE DE DÉPANNAGE

PROBLÈME	RAISON POSSIBLE	SOLUTION POSSIBLE
La pelle à poussière motorisée ne fonctionne pas.	<ol style="list-style-type: none"> Piles épuisées. Bouton enfoncé La poignée est réglée à la position de balayage. L'appareil nécessite des travaux d'entretien. Élément vibro-batteur coincé. 	<ol style="list-style-type: none"> Poser des piles alcalines neuves. Bouton de dégagement. Passer au mode de ramassage. Appeler le service à la clientèle. Enlever les cheveux ou les débris de l'élément vibro-batteur.
La pelle à poussière motorisée n'effectue pas de ramassage.	<ol style="list-style-type: none"> Vide-poussière plein. Piles épuisées. Élément vibro-batteur coincé ou bouché. Appareil obstrué. 	<ol style="list-style-type: none"> Vider le vide-poussière. Poser des piles alcalines neuves. Enlever les cheveux ou les débris de l'élément vibro-batteur. Vérifier si l'élément vibro-batteur ou la partie inférieure du balai mécanique présente une accumulation de matières. Suivre les directives des sections « Désobstruction de l'appareil » et « Entretien de l'élément vibro-batteur ».
La pelle à poussière motorisée ne roule pas avec régularité sur le plancher.	<ol style="list-style-type: none"> Les rouleaux sont bouchés par les débris. 	<ol style="list-style-type: none"> Régler la poignée à la position de balayage pour désactiver le rouleau-brosse. Enlever les cheveux et débris des rouleaux (4), des arbres et des passages de roues.
Le vide-poussière est difficile à enlever ou à remettre.	<ol style="list-style-type: none"> Accumulation de poussière dans l'appareil. Le chemin de poussière obstrué a causé le coincement de la porte du vide-poussière en position ouverte. La poignée est réglée à la mauvaise position. 	<ol style="list-style-type: none"> Retirer le vide-poussière, puis le nettoyer à l'intérieur et à l'extérieur avec un chiffon humide. Vérifier si la partie inférieure du balai mécanique présente une accumulation de matières. Suivre les directives de la section « Désobstruction de l'appareil ». Passer au mode de balayage.
Le rouleau-brosse ne s'éteint pas.	<ol style="list-style-type: none"> La poignée n'est pas verrouillée à la position de balayage. 	<ol style="list-style-type: none"> Enfoncer la poignée dans l'appareil de manière à bien l'insérer.

Information sur les réparations

Black & Decker dispose d'un réseau complet de centres de réparation et de centres autorisés situés partout en Amérique du Nord. Tous les centres de réparation Black & Decker sont dotés d'un personnel qualifié pouvant offrir un service efficace et fiable aux clients. Que vous ayez besoin d'un avis technique, d'une réparation ou de pièces de rechange authentiques installées en usine, communiquez avec l'établissement Black & Decker le plus près de chez vous. Pour trouver l'établissement de réparation de votre région, consulter le répertoire des Pages jaunes à la rubrique « Outils électriques » ou composer le numéro suivant : 1 (800) 54-HOW-TO.

Garantie complète de deux ans pour une utilisation domestique

Black & Decker (É.-U.) Inc. garantit ce produit pour une durée de deux ans contre tout défaut de matériau ou de fabrication. Le produit défectueux sera remplacé ou réparé sans frais d'une des deux façons suivantes : La première façon consiste en un échange chez le détaillant où le produit a été acheté (à la condition que le magasin soit un détaillant participant). Tout retour doit se faire durant la période correspondant à la politique d'échange du détaillant (habituellement, de 30 à 90 jours après l'achat). Une preuve d'achat peut être requise. Vérifier auprès du détaillant pour connaître sa politique concernant les retours hors de la période définie pour les échanges. La deuxième option est d'apporter ou d'envoyer le produit (transport payé d'avance) à un centre de réparation autorisé ou à un centre de service de Black & Decker pour faire réparer ou échanger le produit, à notre discrétion. Une preuve d'achat peut être requise. Les centres de réparation autorisés ou appartenant à Black & Decker sont répertoriés dans les Pages jaunes sous la rubrique « Outils électriques » du bottin téléphonique. Cette garantie ne s'applique pas aux accessoires. Cette garantie vous accorde des droits légaux spécifiques et vous pourriez avoir d'autres droits qui varient d'un État ou d'une province à l'autre. Si vous avez des questions, communiquez avec le directeur du centre de réparation Black & Decker le plus près de chez vous. Ce produit n'est pas destiné à un usage commercial.

Remplacement gratuit des étiquettes d'avertissement : Si vos étiquettes d'avertissement deviennent illisibles ou sont manquantes, composer le 1-800-544-6986 pour faire remplacer gratuitement vos étiquettes.

Imported by / Importé par
Black & Decker Canada Inc.
100 Central Ave.
Brockville (Ontario) K6V 5W6

Voir 'Outils électriques'
- Pages Jaunes -
pour Service et ventes



ANTES DE DEVOLVER ESTE PRODUCTO POR CUALQUIER RAZÓN, POR FAVOR LLAME AL (55)5326-7100

Información clave que usted debe conocer:

- La cubierta para polvo sólo puede retirarse y vaciarse en el modo para barrer.
- No oprima el botón para vaciar la cubierta para polvo al retirarla de la unidad.
- Para obtener un mejor rendimiento al recoger, los cepillos de la cabeza de la escoba deben estar mirando hacia usted.
- Utilice sólo baterías alcalinas AA.

CONSERVE ESTE MANUAL PARA FUTURAS CONSULTAS.

⚠ ADVERTENCIA: Instrucciones y advertencias de seguridad importantes.

Cuando se utilizan aparatos eléctricos, siempre se deben seguir las precauciones de seguridad, que incluyen lo siguiente:

POR FAVOR LEA ATENTAMENTE PARA ENTENDER TODAS LAS INSTRUCCIONES ANTES DE UTILIZAR LA UNIDAD.

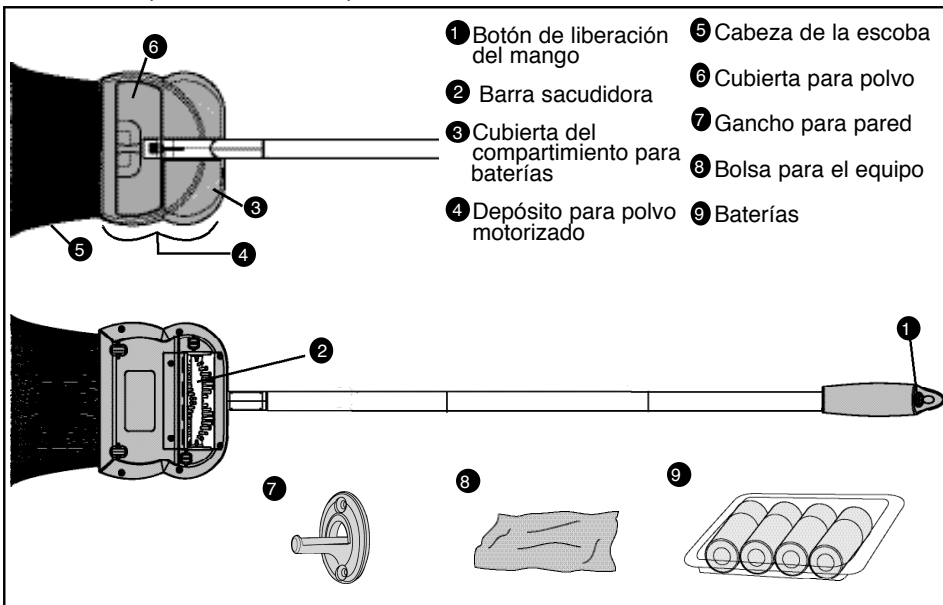
- ⚠ ADVERTENCIA:** Para disminuir el riesgo de incendio, descarga eléctrica o lesiones:
- Debe supervisar muy detenidamente cualquier aparato que se utilice cerca de los niños.
 - No permita que se utilice como juguete.
 - No lo opere en presencia de vapores o líquidos explosivos o inflamables.
 - Siempre guarde y utilice la Barredora y colectorora en interiores.
 - Mantenga el cabello, las ropas holgadas y todas las partes del cuerpo alejadas de las piezas en movimiento.
 - Guarde fuera del alcance de los niños.
 - Este aparato está diseñado para uso doméstico solamente y no para uso comercial o industrial.
 - Úsela solamente de la manera que se describe en este manual.
 - No coloque objetos en los orificios de la unidad. Mantenga el extremo del cepillo giratorio y los demás orificios lejos de la cara y el cuerpo.
 - Tenga especial precaución al limpiar las escaleras.
 - Mantenga el área de trabajo bien iluminada.
 - No recoja objetos grandes filosos que puedan ocasionar daños a la Barredora y la colectorora.
 - No lo utilice en superficies húmedas o para recoger líquidos, sustancias tóxicas, líquidos inflamables o combustibles como gasolina, ni lo use en áreas en las que estas sustancias puedan estar presentes.
 - No lo utilice sin la cubierta para polvo.
 - No recoja objetos encendidos o humeantes como cigarrillos, fósforos o cenizas calientes.
 - Ningún aparato electrónico o eléctrico debe guardarse en o estar expuesto a áreas de calor intenso o humedad. No guarde su Barredora y colectorora cerca de estufas, radiadores, hornos ni en un baño o en el área de baños.

CONSERVE ESTAS INSTRUCCIONES

NORMA DE SEGURIDAD ESPECÍFICA

⚠ ADVERTENCIA: El polvo creado por este producto contiene productos químicos reconocidos por el Estado de California como causantes de cáncer, defectos de nacimiento u otros problemas reproductivos. Algunos ejemplos de estos productos químicos son:

- compuestos en los fertilizantes
- compuestos en insecticidas, herbicidas y pesticidas
- arsénico y cromo de la madera con tratamiento químico. Para reducir su exposición a estas sustancias químicas, utilice el equipo de seguridad aprobado, como las máscaras para polvo especialmente diseñadas para filtrar las partículas microscópicas.

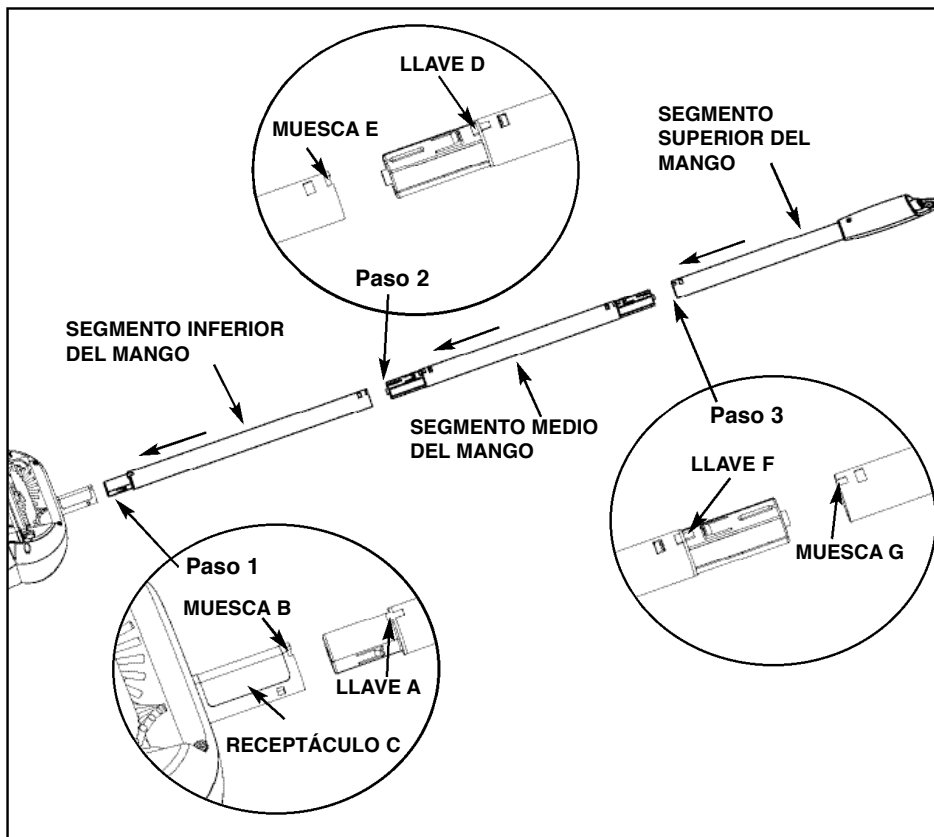


Características

- * Depende del modelo que haya adquirido, es posible que su unidad no tenga la apariencia exacta que aquí se muestra.
- * **ANTES DEL PRIMER USO**, retire todos los componentes del empaque y familiarícese con ellos para facilitar el montaje y la operación de la barredora y colectorora. Las baterías, la bolsa para el equipo y el gancho para colgar están ubicados en la cubierta para polvo y deben retirarse antes de utilizar la unidad por primera vez. Para retirar y abrir la cubierta para polvo, siga las instrucciones de "Cómo vaciar la cubierta para polvo".

Montaje del mango (SNC100B solamente)

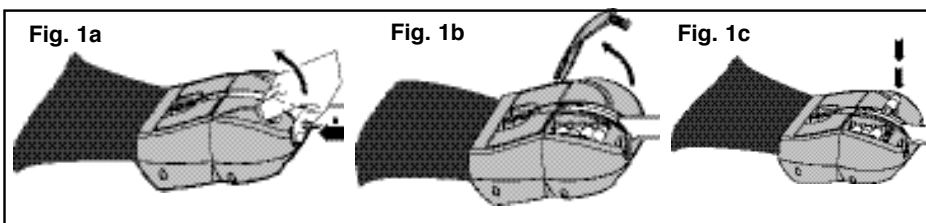
1. Inserte el extremo plástico del segmento inferior del mango en el depósito para polvo motorizado. Asegúrese de alinear la clavija (A) en el conector plástico con la muesca (B) en el receptáculo (C). Empuje hasta que el conector emita un chasquido y se ajuste en su lugar.
2. El segmento medio del mango puede ensamblarse al segmento inferior de una sola manera. Asegúrese de que la forma de la clavija (D) en el conector concuerde con la de la muesca (E) en el tubo del segmento inferior antes de insertarla y ajustarla en su lugar.
3. Ensamble el segmento superior en el segmento medio del mango de manera similar. (F & G)



Instalación de la batería

Nota: Antes de instalar las baterías, asegúrese de que el mango esté trabado en su lugar. (Figura 1c, Figura 2)

⚠ ADVERTENCIA: Sea cuidadoso al retirar las baterías dado que pueden estar calientes si la unidad se usa en el modo de recolección durante periodos extensos. Quite la cubierta del compartimiento de baterías empujando la lengüeta (Figura 1a) y girando hacia arriba como se muestra en la Figura 1b. Introduzca cuatro baterías alcalinas AA nuevas (Figura 1c) y asegúrese de que los terminales (+) y (-) coincidan correctamente, y vuelva a instalar la cubierta del compartimiento de baterías. Utilice baterías alcalinas solamente.



⚠ ADVERTENCIA: Las baterías pueden explotar o perder, y pueden provocar lesiones o incendios. Para disminuir este riesgo:

- Siga cuidadosamente todas las instrucciones y las advertencias de la etiqueta y el envase de la batería.
- Introduzca siempre las baterías correctamente respetando la polaridad (+ y -) indicada en la batería y en el equipo.
- No haga puente con los terminales de la batería.
- No cargue las baterías.
- No mezcle baterías nuevas y viejas. Reemplácelas todas al mismo tiempo por baterías nuevas de la misma marca y tipo.
- Retire todas las baterías agotadas inmediatamente y elimínelas de acuerdo con los códigos locales.
- No arroje las baterías al fuego.
- Mantenga las baterías fuera del alcance de los niños.
- Retire las baterías si el aparato no se va a usar durante varios meses.
- Transportar baterías puede provocar incendios si los terminales de la batería entran en contacto accidentalmente con materiales conductores como llaves, monedas, herramientas de mano u objetos similares. Las Normas para Materiales Peligrosos del Departamento de Transporte de Estados Unidos (HMR, por su sigla en inglés) en realidad prohíben transportar baterías comercialmente o en aeroplanos (es decir, empacadas en valijas y equipaje de mano) A MENOS que estén protegidas correctamente de cortocircuitos. Por lo tanto, cuando transporte baterías individuales, asegúrese de que los terminales de la batería están protegidos y bien aislados de materiales que puedan hacer contacto y causar un cortocircuito.

Instalación del gancho para pared

Nota: Se recomienda especialmente que cuelgue la Barredora y colectorora en el gancho suministrado o en un dispositivo similar para evitar daños en la cabeza de la escoba.

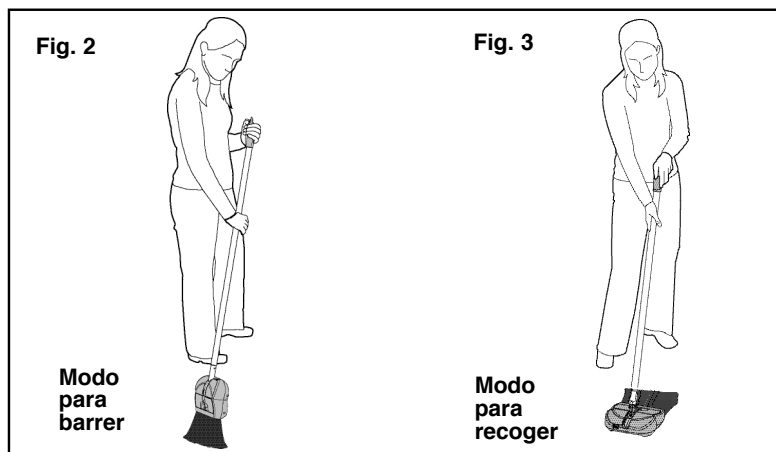
Monte firmemente el gancho proporcionado sobre la pared de modo que no se caiga. Debe instalarse a una altura mínima de 137 cm (54") a partir de la parte inferior para garantizar que la cabeza de la escoba no toque el piso. (Figura 8a) Utilice el equipo provisto sólo si colgará el aparato en una construcción de pared hueca convencional, como en los clavos colocados en un panel de yeso. De lo contrario, utilice los sujetadores adecuados para el material específico de la pared.

Operación

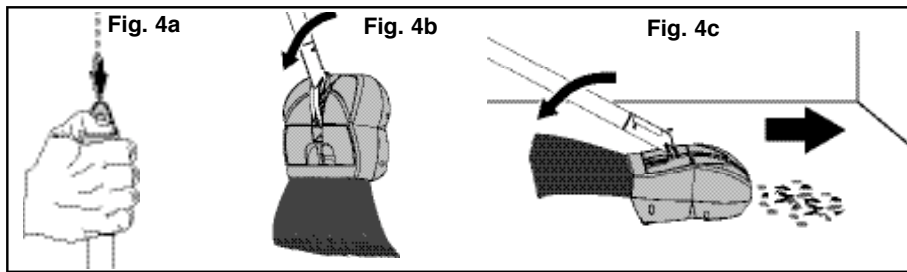
⚠ ADVERTENCIA: No utilice la Barredora y colectorora sin la cubierta para polvo.

Nota: La Barredora y colectorora debe utilizarse para recoger residuos secos en pisos duros solamente. Evite recoger piezas de alambre y material similar a fin de evitar que la barra sacudidora se doble.

Operación

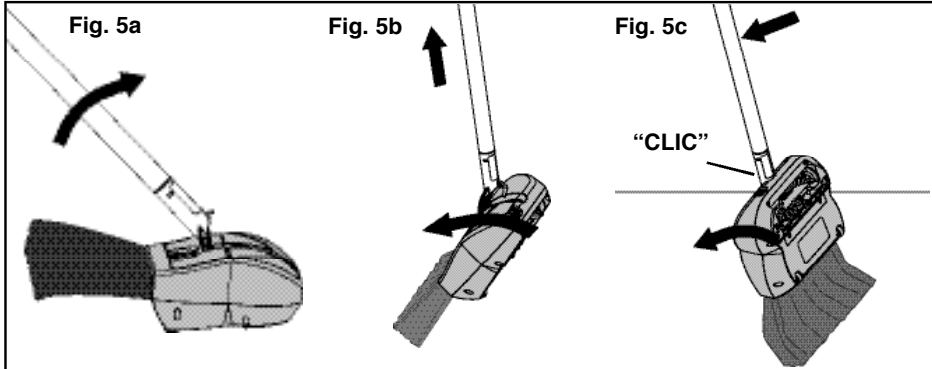


- Si desea cambiar del modo para barrer (Figura 2) al modo para recoger (Figura 3), oprima el botón en el extremo del mango (Figura 4a) y gire el mango hacia los cepillos de la escoba como se muestra en la Figura 4b. En este punto, la barra sacudidora debe comenzar a girar.



Nota: Durante el modo para recoger, puede detener momentáneamente la barra sacudidora si oprime el botón en el extremo del mango.

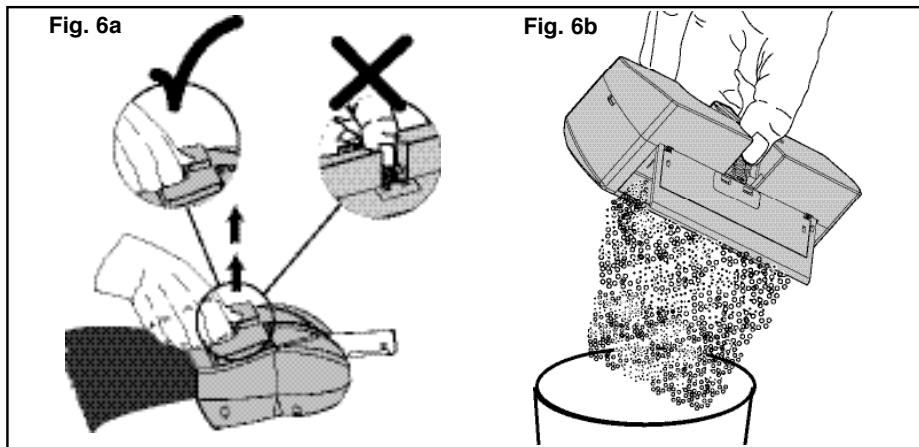
- Haga rodar la unidad hacia atrás y adelante por sobre la pila de desechos para recogerlos en la cubierta para polvo. Para obtener un mejor rendimiento al recoger, los cepillos de la cabeza de la escoba deben estar lejos de la pila de desechos como se muestra a continuación (Figura 4c).
- Para cambiar al modo para barrer, gire el mango nuevamente a la ranura en la caja (Figura 5a) hasta que entre en el cerrojo (Figura 5b) y escuche un "clíc" (Figura 5c). Para volver más fácilmente a la posición para barrer, puede presionar el botón del extremo del mango. En este punto, la barra sacudidora debe dejar de girar.



Cómo vaciar la cubierta para polvo

Nota: La unidad debe estar en el modo para barrer (Figura 2) antes de retirar la cubierta para polvo. Es importante que no utilice fuerza excesiva al retirar la cubierta para polvo. Si la cubierta para polvo parece atascada en la caja, siga el procedimiento de "Cómo desatascar la unidad".

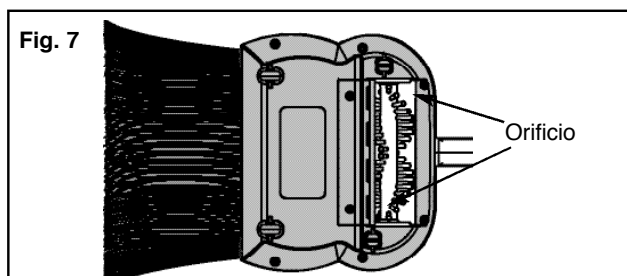
- Retire la cubierta para polvo de la unidad halando directamente hacia arriba tal como se muestra. No oprima el botón de vaciado al halar hacia afuera. (Figura 6a)
- Sostenga la cubierta para polvo sobre un contenedor de desechos y vacíela completamente mientras oprime el botón de vaciado y sacude con moderación. (Figura 6b)
- Libere el botón y coloque la cubierta para polvo nuevamente en el depósito para polvo motorizado hasta que quede guardada en la superficie superior.



Cómo desatascar la unidad

Nota: El mecanismo de la puerta de la cubierta para polvo no debe tener desechos para que pueda cerrarse completamente y permita retirar la cubierta para polvo.

- Retire las baterías de la unidad.
- Gire el mango y cambiará al modo para recoger. (Figura 3)
- Gire para acceder al orificio (Figura 7) que se extiende desde la barra sacudidora a la cubierta para polvo.
- Limpie todo resto de desechos en este orificio y en la entrada a la cubierta para polvo que pueda impedir la operación de la barra sacudidora o el mecanismo de la puerta de la cubierta para polvo.
- Vuelva al modo para barrer.
- Vuelva a colocar las baterías.



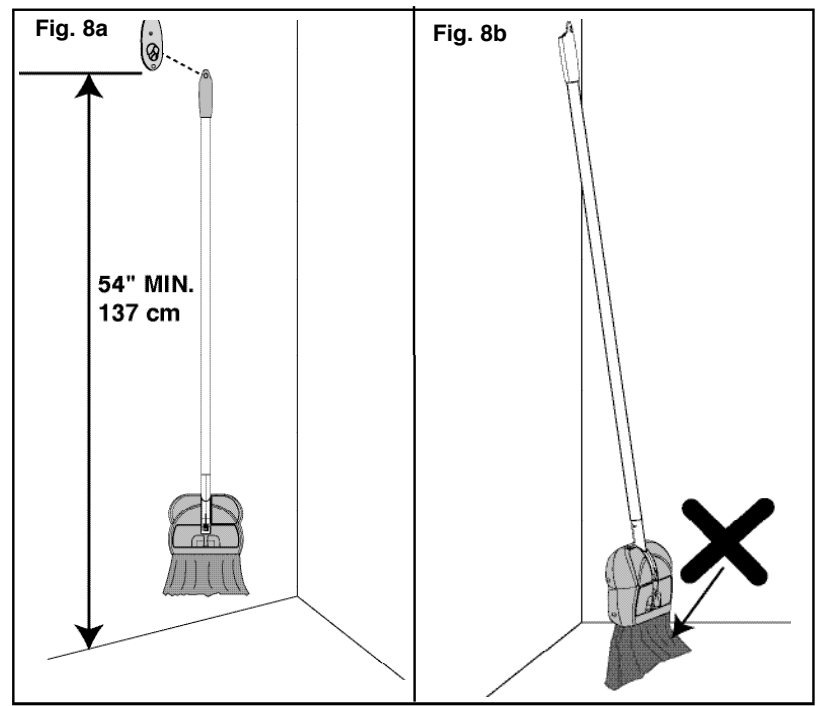
Mantenimiento de la barra sacudidora

Nota: El mantenimiento periódico de la barra sacudidora es necesario para garantizar un óptimo rendimiento al recoger.

- Retire las baterías de la unidad.
- Gire para acceder a la barra sacudidora.
- Retire cualquier pelo u otro resto de desechos que esté alrededor o atrapado cerca de la barra sacudidora para garantizar que pueda girar libremente.
- Reemplace las baterías.

Limpieza y almacenamiento

- Se sugiere vaciar la cubierta para polvo antes de guardar.
- Cuelgue la unidad en un gancho u otro dispositivo cuando no la utilice para mantener la cabeza de la escoba en su mejor condición (Figura 8a).
- No guarde la Barredora y colectora de modo que la cabeza de la escoba quede apoyada (Figura 8b), ya que esto ocasionará daños permanentes en los cepillos.
- Limpie periódicamente la unidad con un paño húmedo, incluida la cámara en la que se aloja la cubierta para polvo. Retire todo pelo, fibra u otro material que pueda haberse acumulado en la unidad o en el cepillo giratorio.
- No utilice materiales abrasivos para limpiar la barredora. No sumerja la unidad en agua.



GUÍA PARA SOLUCIONAR PROBLEMAS

PROBLEMA	CAUSA POSIBLE	SOLUCIÓN POSIBLE
El depósito para polvo motorizado no funciona	<ol style="list-style-type: none"> Baterías agotadas. Botón oprimido. El mango está en la posición de barrido. La unidad necesita mantenimiento. Barra sacudidora atascada. 	<ol style="list-style-type: none"> Instale baterías alcalinas nuevas. Botón de liberación. Cambie al modo para recoger. Llame a la Oficina de atención al cliente. Limpie los pelos o desechos de la barra sacudidora.
El depósito para polvo motorizado no recoge	<ol style="list-style-type: none"> La cubierta para polvo está llena. Baterías agotadas. Barra sacudidora atascada u obstruida. Unidad obstruida 	<ol style="list-style-type: none"> Vacíe la cubierta para polvo. Instale baterías alcalinas nuevas. Limpie los pelos o desechos de la barra sacudidora. Verifique que no haya material en exceso sobre la barra sacudidora o en la parte inferior de la barredora. Siga las instrucciones de "Cómo desatascar la unidad" y "Mantenimiento de la barra sacudidora".
El depósito para polvo motorizado no gira uniformemente por el suelo.	<ol style="list-style-type: none"> Los rodillos están obstruidos con suciedad. 	<ol style="list-style-type: none"> Posicione el mango en el modo para barrer a fin de apagar el rodillo de cepillos. Limpie los pelos o desechos de la barra sacudidora (4), los ejes y las cavidades de las ruedas.
Es difícil retirar/volver a colocar la cubierta para polvo.	<ol style="list-style-type: none"> Polvo acumulado en la unidad. Obstrucción en el trayecto para polvo que atascó la cubierta para polvo, la puerta está abierta. El mango está en la posición incorrecta 	<ol style="list-style-type: none"> Retire la cubierta para polvo y límpiela. Limpie también dentro de la unidad con un paño húmedo. Verifique que no haya material en exceso en la parte inferior de la barredora. Siga las instrucciones de "Cómo desatascar la unidad". Cambie al modo para barrer.
El rodillo de cepillos no se apaga	<ol style="list-style-type: none"> El mango no está trabado en la posición para barrer. 	<ol style="list-style-type: none"> Presione el mango en la unidad hasta que se ajuste correctamente.

Información de servicio

Black & Decker ofrece una amplia red de puntos de servicio propios y autorizados en toda Norteamérica. Todos los Centros de mantenimiento de Black & Decker cuentan con personal capacitado dispuesto a brindar a sus clientes un servicio eficaz y confiable. Si necesita consejo técnico, reparaciones o piezas de repuesto originales de fábrica, póngase en contacto con el centro de mantenimiento de Black & Decker más cercano a su domicilio. Para localizar su centro de mantenimiento local, consulte "Herramientas eléctricas" (Tools Electric) en la sección de páginas amarillas o llame al: (55)5326-7100

Garantía completa de dos años para uso en el hogar

Black & Decker (EE.UU.) Inc. ofrece una garantía de dos años por cualquier defecto del material o de fabricación de este producto. El producto defectuoso se reparará o reemplazará sin costo alguno de una de las siguientes maneras: La primera opción, el reemplazo, es devolver el producto al comercio donde se lo adquirió (siempre y cuando se trate de un comercio participante). Las devoluciones deben realizarse conforme a la política de devolución del comercio (generalmente, entre 30 y 90 días posteriores a la venta). Le pueden solicitar comprobante de compra. Consulte en el comercio acerca de la política especial sobre devoluciones una vez excedido el plazo establecido. La segunda opción es llevar o enviar el producto (con flete pago) a un Centro de mantenimiento propio o autorizado de Black & Decker para su reparación o reemplazo según nuestro criterio. Le pueden solicitar comprobante de compra. Encontrará una lista de los centros de mantenimiento autorizados y de propiedad de Black & Decker en "Herramientas eléctricas" (Tools-Electric) en las páginas amarillas de la guía telefónica. Esta garantía no se extiende a los accesorios. Esta garantía le concede derechos legales específicos que pueden variar según el estado. Ante cualquier inquietud, comuníquese con el Centro de mantenimiento de Black & Decker más cercano. Este producto no es para uso comercial.

Reemplazo gratuito de las etiquetas de advertencias: Si sus etiquetas de advertencia se vuelven ilegibles o faltan, llame al (55)5326-7100 para que se le reemplacen gratuitamente.

Para reparación y servicio de sus herramientas eléctricas, favor de dirigirse al Centro de Servicio más cercano:

CULIACAN, SIN

Av. Nicolás Bravo #1063 Sur
(667) 7 12 42 11
Col. Industrial Bravo

GUADALAJARA, JAL

Av. La Paz #1779
(33) 3825 6978
Col. Americana Sector Juarez

MEXICO, D.F.

Eje Central Lázaro Cardenas
No. 18
(55) 5588 9377
Local D, Col. Obrera

MERIDA, YUC

Calle 63 #459-A
(999) 928 5038
Col. Centro

MONTERREY, N.L.

Av. Francisco I. Madero
No.831
(81) 8375 2313
Col. Centro

PUEBLA, PUE

17 Norte #205
(222) 246 3714
Col. Centro

QUERETARO, QRO

Av. Madero 139 Pte.
(442) 214 1660
Col. Centro

SAN LUIS POTOSI, SLP

Av. Universidad 1525
(444) 814 2383
Col. San Luis

TORREON, COAH

Blvd. Independencia, 96 Pte.
(871) 716 5265
Col. Centro

VERACRUZ, VER

Prolongación Díaz Mirón #4280
(229)921 7016
Col. Remes

VILLAHERMOSA, TAB

Constitución 516-A
(993) 312 5111
Col. Centro

PARA OTRAS LOCALIDADES LLAME AL: (55) 5326 7100

Vea "Herramientas
eléctricas (Tools-Electric)"
- Páginas amarillas -
para Servicio y ventas



BLACK & DECKER S.A. DE C.V.
BOSQUES DE CIDROS ACCESO RADIATAS NO. 42
COL. BOSQUES DE LAS LOMAS.
05120 MÉXICO, D.F.
TEL. 55-5326-7100

ESPECIFICACIONES

Tensión de alimentación: 6 V

Free Manuals Download Website

<http://myh66.com>

<http://usermanuals.us>

<http://www.somanuals.com>

<http://www.4manuals.cc>

<http://www.manual-lib.com>

<http://www.404manual.com>

<http://www.luxmanual.com>

<http://aubethermostatmanual.com>

Golf course search by state

<http://golfingnear.com>

Email search by domain

<http://emailbydomain.com>

Auto manuals search

<http://auto.somanuals.com>

TV manuals search

<http://tv.somanuals.com>