

**Black & Decker®**

**84-011 OUTDOOR CORD REEL  
84-012 OUTDOOR CORD REEL & CORD  
OWNER'S MANUAL**

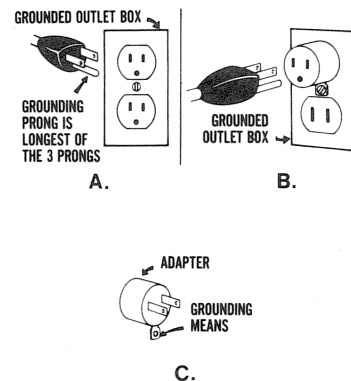
**RULES FOR SAFE OPERATION**

1. Read Owner's Manual before using Cord Reel.
2. **DO NOT EXCEED 6 AMPS (Rated Current).**
3. Before using any extension cord with this reel, inspect it for loose or exposed wires and damaged insulation. Make any needed repairs or replacement before using on the reel.
4. **UNPLUG ANY TOOLS OR APPLIANCES CONNECTED TO THE CORD REEL BEFORE REELING.**
5. Always plug the Cord Reel into an approved, grounded 120 volt receptacle. (Even if you plan to use only Double Insulated tools or appliances.)
6. Check the cord periodically for damage and have damaged cords replaced immediately.
7. Keep your Cord Reel out of the reach of children.
8. Store your Cord Reel in a cool, dry place out of direct sunlight. Disconnect all tools or appliances before storage.
9. Do not expose the Cord Reel to grease or solvents. Clean with mild soap and water only.
10. Have worn or broken parts replaced immediately.
11. **DO NOT EXPOSE CORD REEL TO WATER, RAIN OR SNOW OR USE IN DAMP AREAS.**
12. Do not walk on or ride over extension cord or Cord Reel.
13. Keep cord away from oil, heat and sharp edges.
14. When using power tools or other appliances with the Cord Reel follow the safety rules listed in their Owner's Manuals.
15. Carry only by the handle, never by the cord.
16. Turn tools or appliances off before plugging them in or unplugging them from the Cord Reel.
17. Use only 3 wire 16 AWG SJTW-A round outdoor extension cord. Maximum length 100 ft.

**GROUNDING:**

**(GROUNDED CORD-CONNECTED TOOLS INTENDED FOR USE ON A SUPPLY CIRCUIT HAVING A NOMINAL RATING LESS THAN 150 VOLTS)**

This tool is intended for use on a circuit that has an outlet that looks like the one illustrated in Sketch A. The tool has a grounding plug that looks like the plug illustrated in Sketch A. A temporary adapter, which looks like the adapter illustrated in Sketches B and C, may be used to connect this plug to a 2-pole receptacle as shown in Sketch B if a properly grounded outlet is not available. The temporary adapter should be used only until a properly grounded outlet can be installed by a qualified electrician. The grounding means, green-colored rigid ear, lug, etc. extending from the adapter must be connected to a permanent ground such as a properly grounded outlet box.



## 84-011 OUTDOOR CORD REEL

## 84-012 OUTDOOR REEL & CORD

NOTE: The Black & Decker Cord Reel is sold with or without a power cord. If you are installing your own power cord, perform all of the procedures in sections A through I. After you finish sections A through I, or if your cord reel comes assembled with a power cord, proceed to HOW TO USE YOUR CORD REEL on page 3.

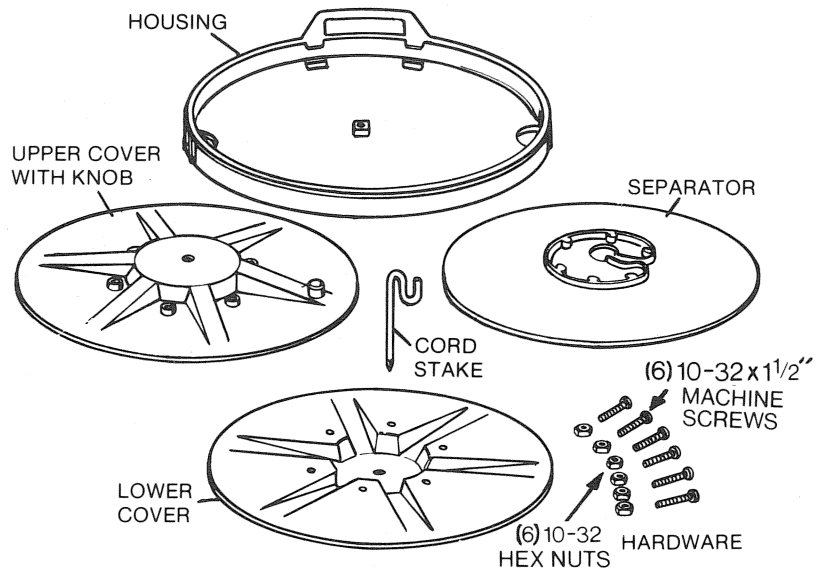
### A IDENTIFY THE PARTS OF THE CORD REEL.

### B VERIFY YOUR CORD IS SAFE TO USE.

1. Only a 16-gauge, UL Underwriters Laboratories) listed, ROUND jacketed, 3-wire, outdoor extension cord in good condition is to be used.

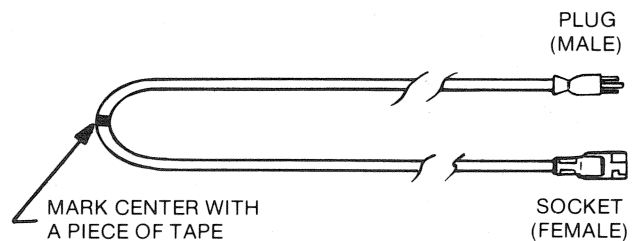
2. Check the cord. Do not use cords with cracked insulation, splices, taped repairs, exposed wire or loose plug ends.

**WARNING:** Cords with cracked insulation, splices, taped repairs, or exposed wire may be dangerous. You could receive an electrical shock.



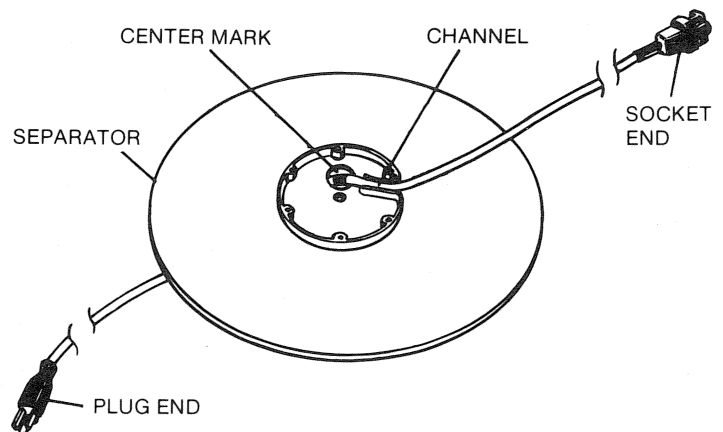
### C

1. Stretch your cord straight out.
2. Then double it in two long lengths. Touch the plug and socket together. Then work back to the center.
3. Mark the center of your cord with tape or some other marker.



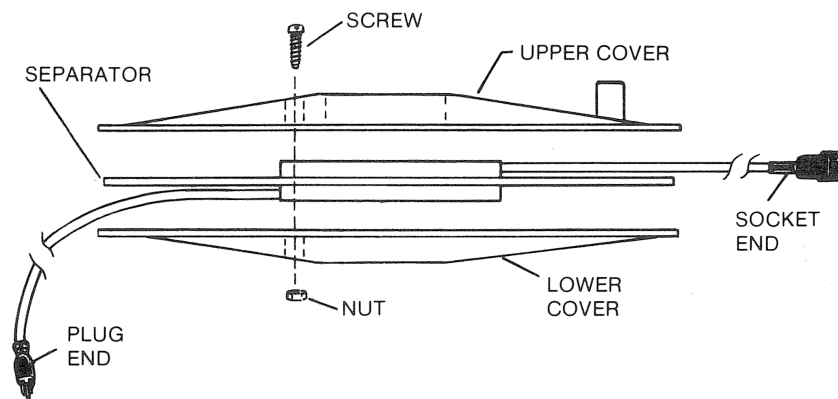
### D

1. Pass the plug (male) through the large hole in the separator.
2. Pull the plug and cord until the center mark of the cord is in the center of the large hole in the separator.
3. Extend the cord out of the way in both directions as shown.
4. Push the cord into the channels, one on each side of the separator.



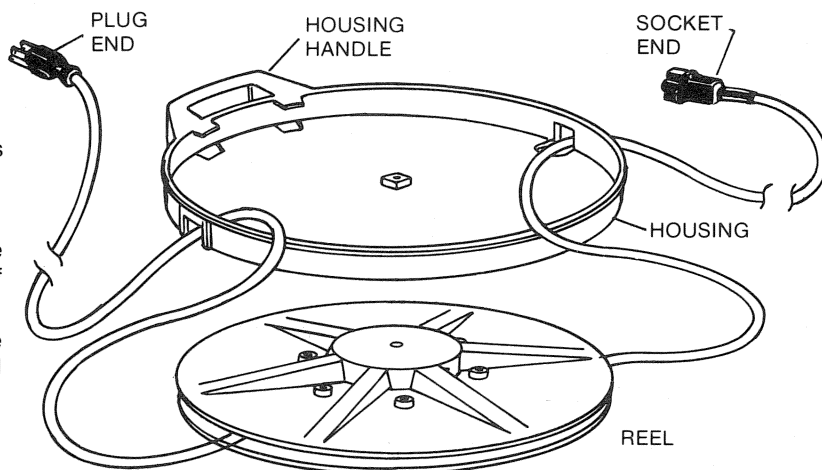
**E**

1. Place the lower cover on the side of the separator having the cord attached to the plug end.
2. Place the upper cover (with knob) on the side of the separator having the cord attached to the socket end.
3. Make sure the cord is still in the upper and lower separator channels (or the cord may be pinched).
4. Align the screw holes of the upper cover, separator, the lower cover.
5. Insert six screws through the holes in the upper cover, separator, and lower cover. Loosely assemble a nut onto each of the screws making sure that the nuts are inside the hex nut recesses.
6. Check that the cord is still in the channels of the separator and is not pinched between a cover and the separator. Then tighten the screws snugly.



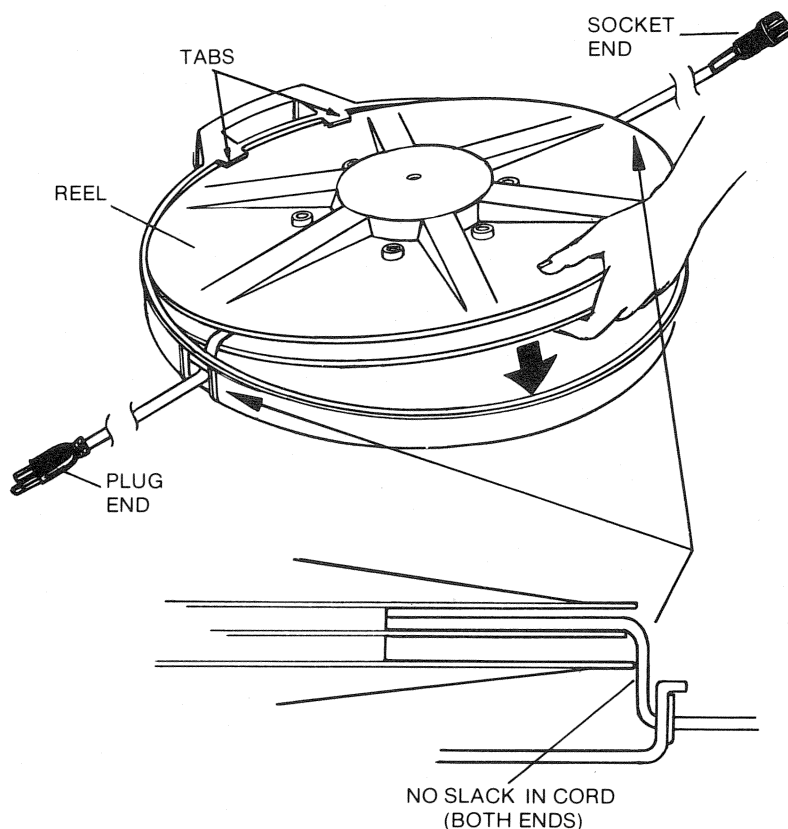
**F**

1. Do not wind the cord onto the reel until the reel has been inserted into the housing.
2. Orient the housing handle and the reel as shown.
3. Pass the plug end of the cord through the hole in the housing, as shown (inside to outside). Pull nearly all of this half of the cord through the housing.
4. Pass the socket end of the cord through the other hole in the housing, as shown (inside to outside). Pull nearly all of this half of the cord through the housing.



**G**

1. Keep the housing flat on the ground.
2. Dip the reel into the housing under both tabs.
3. Pull on each end of the cord until there is no slack between the reel and housing.
4. Flex the housing, at the cord openings, to allow the reel to drop into place. Some resistance will be felt while dropping into place.



**H**

EXTEND THE CORD completely from opposite sides of the housing.

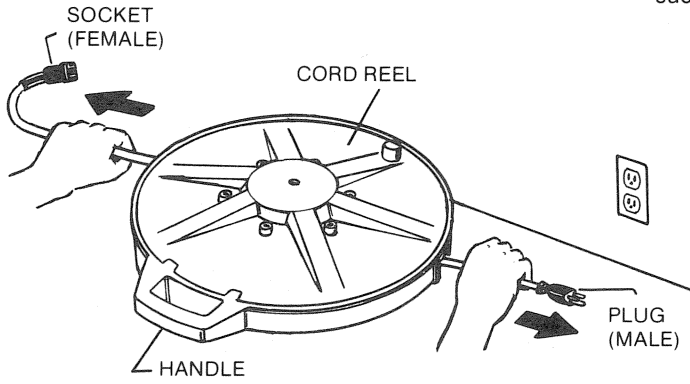
**I**

Then REWIND the cord as described in section 4 on page 3.

NO SLACK IN CORD  
(BOTH ENDS)

## HOW TO USE YOUR CORD REEL

Read these instructions carefully before you start. Knowing how to properly use the cord reel will prevent you from having problems such as jams or uneven winding.



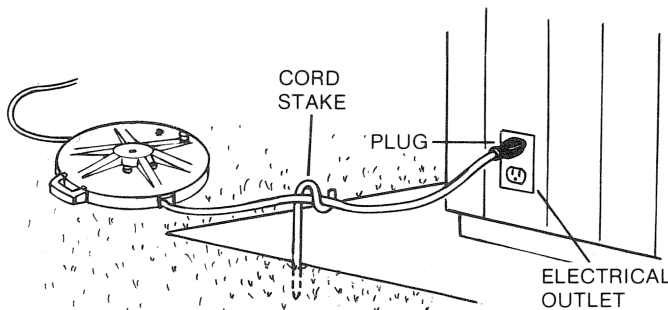
①

A. Lay the cord reel flat on the ground near an electrical outlet. The handle should be turned toward you.

### CAUTION

When directed to do so, pull the cord simultaneously from both sides! Do not pull on the plug (male) end of the cord without pulling on the socket end.

B. Simultaneously pull the cord from both sides of the cord reel until the plug will reach the outlet. **If you do not pull the cord out simultaneously from both sides, you may jam the cord in the reel.**

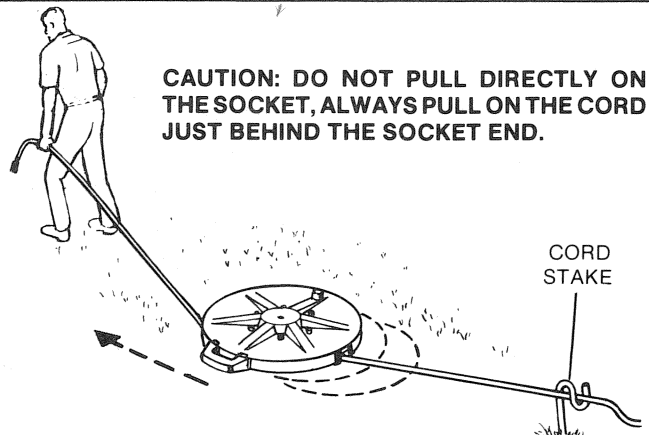


②

A. Insert the plug into the outlet.

B. Push cord stake into the ground.

C. Weave the cord through the stake. The stake prevents the plug from being pulled out of the outlet. Tug the cord to be sure the stake is holding it.

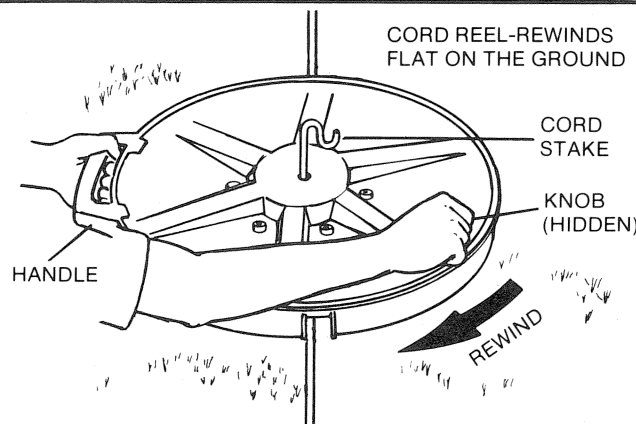


**CAUTION: DO NOT PULL DIRECTLY ON THE SOCKET, ALWAYS PULL ON THE CORD JUST BEHIND THE SOCKET END.**

③

**CAUTION: DO NOT PULL DIRECTLY ON THE SOCKET, ALWAYS PULL ON THE CORD JUST BEHIND THE SOCKET END.**

With the cord reel still flat on the ground, grab the cord **behind** the socket end of the cord and walk away. The cord reel will "follow" you as the cord is pulled out. Be careful not to catch the cord reel on anything that stops its movement.



④

## HOW TO REWIND YOUR CORD REEL.

A. Keep the cord reel flat on the ground.

B. Unplug the cord from the appliance.

C. Unplug the cord from the outlet.

D. Unweave the cord from the stake.

E. Pull the stake from the ground and insert it through the center of the reel into the ground. **The cord will not wind up easily without the stake inserted.**

F. With the cord still extended, move the handle slightly to the left. Hold the handle and rotate the knob clockwise to reel the cord from both directions.

## HOW TO STORE YOUR CORD REEL

A. Do not store the stake in the center hole of the cord reel because the point could injure someone.

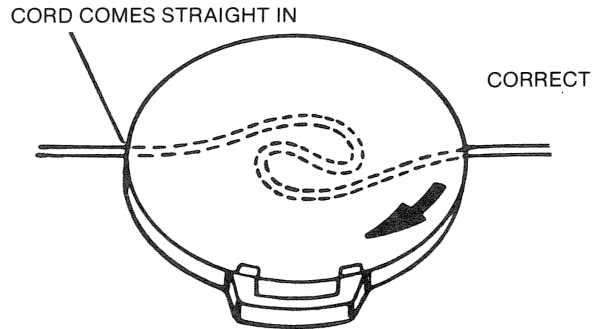
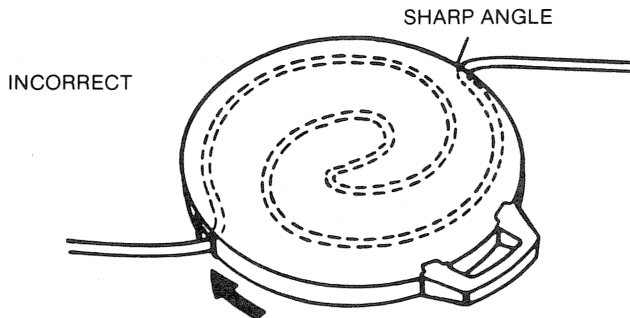
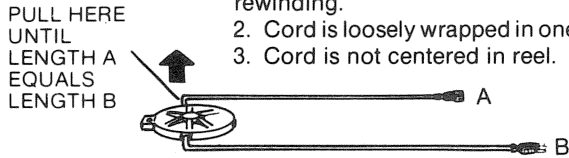
B. Store the cord reel in a cool, dry, place out of direct sunlight.

C. Preferably, lay the cord reel flat. As an alternative, hang it by the handle or lean it against a wall.

**IMPORTANT: ALWAYS REMOVE THE CORD STAKE FROM THE REEL BEFORE PULLING CORD FROM THE CORD REEL.**

# IF YOU HAVE A PROBLEM

PROBLEM	CAUSE	REMEDY
Cord reel is jammed.	<ol style="list-style-type: none"> <li>1. Cord was not pulled simultaneously from both ends during setup or cord was not pulled from socket end once plug end was staked.</li> <li>2. Cord was pulled when housing was caught on an obstruction.</li> </ol>	<ol style="list-style-type: none"> <li>1. Orient yourself with respect to the cord reel, as in section 1, &amp; pull cord firmly from both sides simultaneously.</li> <li>2. Disassemble the cord reel (see DISASSEMBLY below). Then reassemble cord reel (see HOW TO ASSEMBLE YOUR CORD REEL, section G).</li> </ol>
Cord winds up unevenly.	<ol style="list-style-type: none"> <li>1. Cord was not spread out before rewinding.</li> <li>2. Cord is loosely wrapped in one layer.</li> <li>3. Cord is not centered in reel.</li> </ol>	<ol style="list-style-type: none"> <li>1. Extend cord fully (section 3) and rewind (section 4).</li> <li>2. Extend cord fully (section 3) and rewind (section 4).</li> <li>3. Extend cord fully (section 3). Check that length of cord coming from each side of reel is equal. If not equal, pull short side at cord reel outlet until the lengths from each side are equal, as shown. Then rewind (section 4).</li> </ol>
Cord reel winds hard.	<ol style="list-style-type: none"> <li>1. Cord stake is not all the way through cord reel into ground.</li> <li>2. Cord reel not laying on ground.</li> <li>3. Cord caught on an object.</li> <li>4. Cord reel entrance holes are turned at a sharp angle to cord.</li> </ol>	<ol style="list-style-type: none"> <li>1. Push the cord stake through the cord reel center into the ground (section 4).</li> <li>2. Place the cord reel flat on the ground (section 4).</li> <li>3. Release cord from object. Move cord so it won't get caught again.</li> <li>4. Orient cord reel so entrance holes allow cord to rewind straight in.</li> </ol>



## DISASSEMBLY:

If you have a problem with the cord reel and if the remedy tells you to disassemble the cord reel, do the following (you do not have to remove any screws):

- Place the housing on the ground with the handle located as shown. If the cord stake is in the cord reel, remove it.
- Don't pull out any more cord, but do make sure there is no slack in the cord.

### IMPORTANT

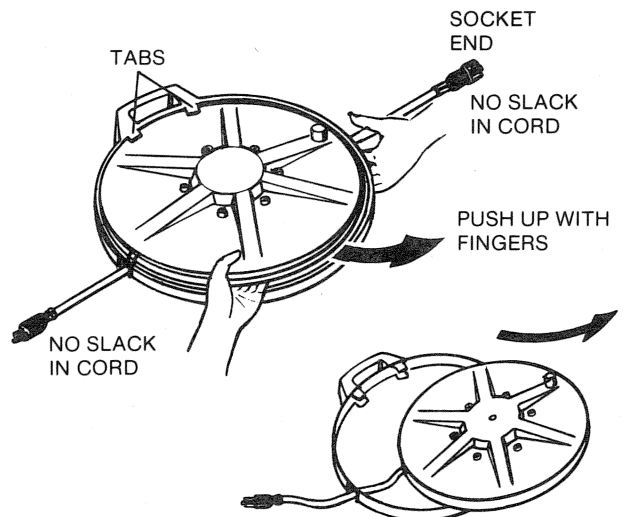
Do not try to remove the reel by pushing the reel against the tabs; an upward force against the tabs may break them off.

C. Place your right hand under the housing at the socket end cord outlet. Use your fingers from underneath to push the reel up and out of the housing.

D. As you push with your right hand, you can lift the reel with your left hand. Pull and lift the reel away from the handle and tabs.

E. Pull the plug and socket through the holes of the housing.

F. After the problem is corrected, follow the ASSEMBLY instructions, steps F to I on page 2.



### **IMPORTANT**

To assure product SAFETY and RELIABILITY repairs, maintenance and adjustments should be performed by BLACK & DECKER Service Centers or other qualified service organizations, always using BLACK & DECKER replacement parts.

### **HOME USE WARRANTY (A FULL ONE YEAR WARRANTY)**

Black & Decker warrants this product for one year against any defects that are due to faulty material or workmanship. Please return the complete unit, transportation prepaid, to the seller (if a participating retailer) for free replacement (proof of purchase may be required). The unit may also be returned to a Black & Decker Service Center listed under "Tools Electric" in the yellow pages for free replacement or repair at our option. This warranty gives you specific legal rights and you may have other rights which vary from state to state. Should you have any questions, contact your nearest Black & Decker Service Center Manager.

**BLACK & DECKER (U.S.) INC.**  
Consumer Accessory Division  
500 Hanover Pike, Hampstead, MD 21074

## Free Manuals Download Website

<http://myh66.com>

<http://usermanuals.us>

<http://www.somanuals.com>

<http://www.4manuals.cc>

<http://www.manual-lib.com>

<http://www.404manual.com>

<http://www.luxmanual.com>

<http://aubethermostatmanual.com>

Golf course search by state

<http://golfingnear.com>

Email search by domain

<http://emailbydomain.com>

Auto manuals search

<http://auto.somanuals.com>

TV manuals search

<http://tv.somanuals.com>