

FEATURED MODEL

157-080-CR BLANCOHARVEST™ Kitchen Faucet in Polished Chrome

ADDITIONAL MODELS

157-080-ST Stainless (Satin Nickel)

FEATURES

- Solid brass body
- Ceramic disc cartridge
- Color coded hot & cold supply lines
- Durable spiral flexible pull-out spray hose
- Reversible mounting hardware adapts to thick or thin mounting surfaces
- 2.2 G.P.M. flow rate
- Installation in a 1-3/8" hole

CODE/STANDARDS COMPLIANCE

ASME A112.18.1-2005

IAPMO Listed

WARRANTY

Blanco America's Kitchen faucets feature a "NO HASSLE" LIMITED LIFETIME WARRANTY to be free of all manufacturing defects under normal use. See our complete warranty for details.

While Blanco America endeavors to provide accurate information, all dimensions are nominal, cannot be guaranteed, and are subject to change or cancellation. Blanco America assumes no responsibility for use of superseded or voided specifications.

PRODUCT SPECIFICATION

Kitchen faucet to include lever handle and pull-out spray, with solid brass body and ceramic disc cartridge. Faucet dimensions to be as follows: Reach: 9"; Spout Height: 5-1/2". Hot and cold supply lines to be color coded. Reversible mounting hardware to adapt to thick or thin mounting surfaces. Kitchen faucet to be BLANCOHARVEST™, Model 157-080-_____ in _____ finish.

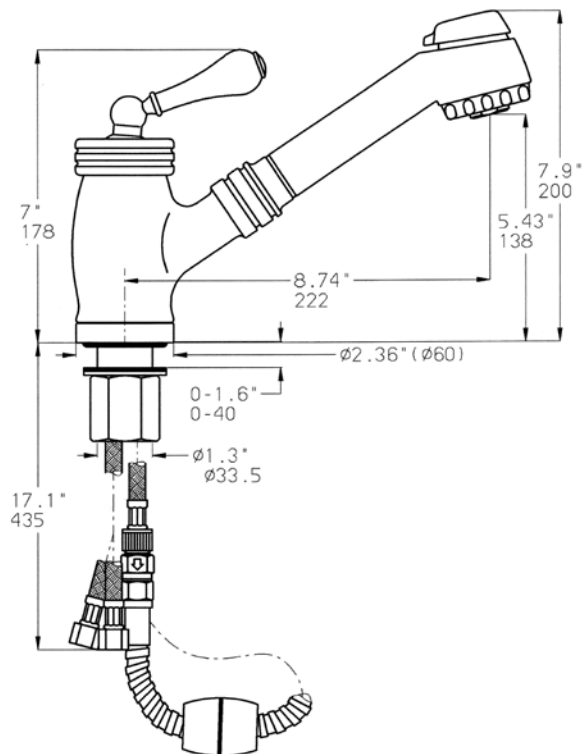
- Polished Chrome 157-080-CR
- Stainless 157-080-ST



MODEL 157-080

NOMINAL DIMENSIONS

MODEL	REACH	SPOUT HEIGHT	FAUCET HEIGHT
157-080	9	5-1/2	6-7/8



See next page for exploded parts drawing and parts list.

JOB INFORMATION

Job Name: _____

Contact: _____

Date Specified: _____

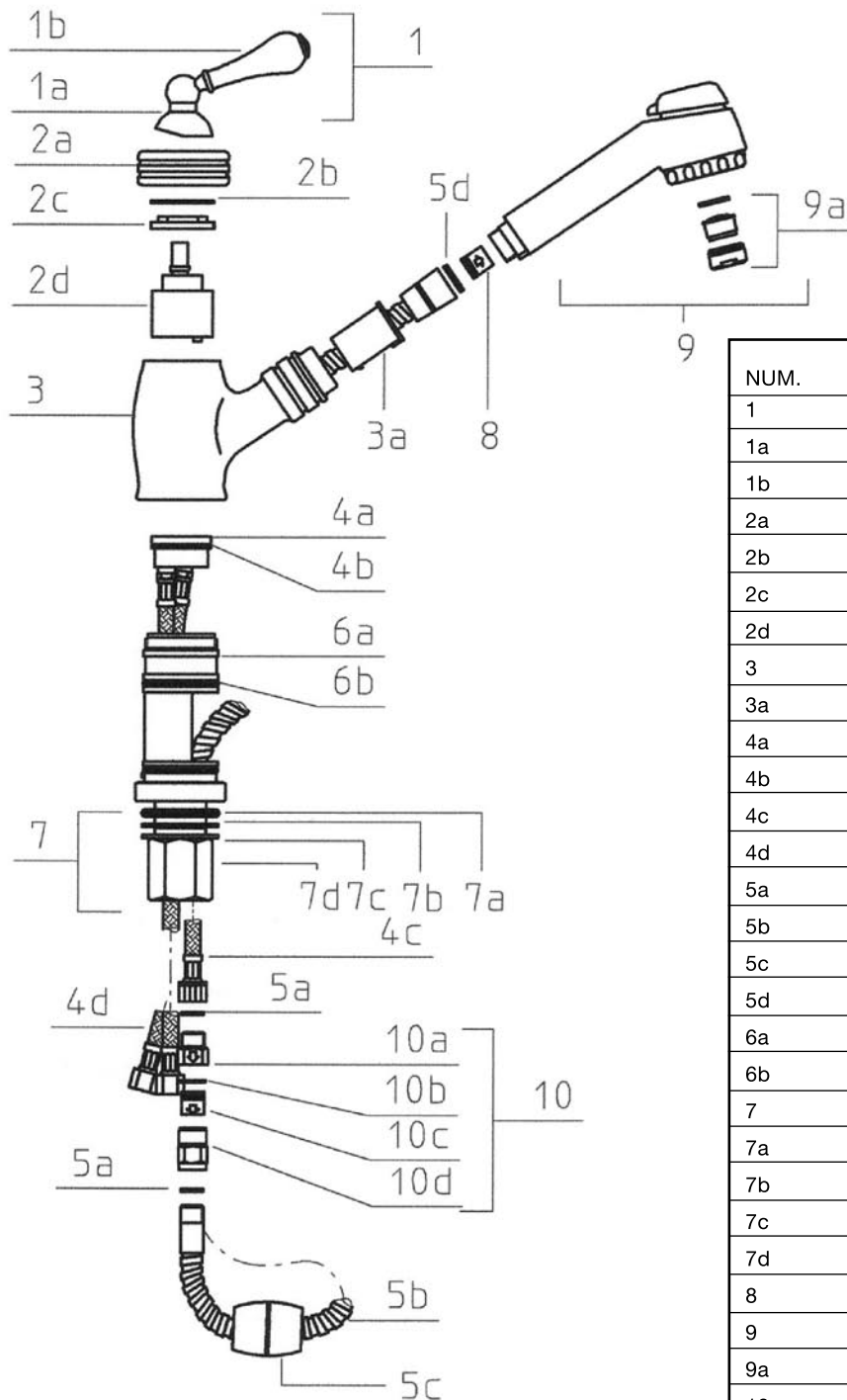
Specifier: _____

Contractor: _____

BLANCO AMERICA
800.451.5782
www.blancoamerica.com

BLANCOHARVEST™ With Pull-Out Spray

MODEL 157-080



NUM.	DOC. PART #	DESCRIPTION
1	1-3028	LEVER ASSY
1a	3150B	LEVER BASE
1b	3028	LEVER
2a	3192	CAP
2b	31.34X3.53	O'RING
2c	3160	NUT
2d	2809	CARTRIDGE
3	3191	BODY
3a	2866	PLASTIC INSERT
4a	3399	INSERT
4b	1.00X32.00	O'RING
4c	2360	SUPPLY TUBE
4d	2350	HOSE
5a	13.7X10X1.5	FIBER
5b	2266	HOSE
5c	2582	WEIGHT
5d	20X12X2.5	RUBBER WASHER
6a	3264	INNER BODY
6b	3.53X42.86	O'RING
7	1-2359	MOUNTING NUT ASSY
7a	3.53X42.86	O'RING
7b	48X34X2	RUBBER WASHER
7c	2258	METAL WASHER
7d	2359	NUT
8	2430	FLOW R.W/CHECK V
9	1494	PULL OUT SPRAY
9a	1-680	AERATOR SET
10	1-3115	CHECK VALVE ASSY
10a	3116	NIPPLE
10b	16.5x12x1.5	FIBER
10c	2419	CHECK VALVE
10d	3115	CHECK VALVE BODY

Free Manuals Download Website

<http://myh66.com>

<http://usermanuals.us>

<http://www.somanuals.com>

<http://www.4manuals.cc>

<http://www.manual-lib.com>

<http://www.404manual.com>

<http://www.luxmanual.com>

<http://aubethermostatmanual.com>

Golf course search by state

<http://golfingnear.com>

Email search by domain

<http://emailbydomain.com>

Auto manuals search

<http://auto.somanuals.com>

TV manuals search

<http://tv.somanuals.com>