

# USE, INSTALLATION AND MAINTENANCE INSTRUCTIONS FOR BUILT-IN HOT PLATES

Dear Customer

Thank you for purchasing a Blanco Cooktop.

Before we continue telling you about this cooktop, we cordially invite you to become part of the Blanco family by subscribing to ongoing information and invitations. Please visit our website where you can subscribe and request such things as invitations to future cooking classes and gourmet recipes. Go to [www.meaappliances.com.au](http://www.meaappliances.com.au) and fill in the subscription details.

You will find that the clean lines and modern look of your Blanco Cooktop blends perfectly with your kitchen décor. It is easy to use and performs to a high standard.

Blanco also makes a range of products that will enhance your kitchen such as ovens, rangehoods, dishwashers, microwaves, sinks and taps.

There are models to complement your new Blanco Cooktop.

Of course we make every effort to ensure that our products meet all your requirements, and our Customer Relations department is at your disposal, to answer your questions and to listen to all your suggestions (see back cover of manual).

Please complete the warranty section of this manual and keep your receipt as proof of purchase. Retain all documents relating to the purchase of this products.

Blanco is committed to providing increasingly efficient products that are easy to use, respect the environment and are attractive and reliable.

**BLANCO**

**BLANCO**

■ Performance First

***MODELS: BCGC74 - BCGC52***

***CRYSTAL GLASS COOKTOP***

**BLANCO**

■ Performance First

**MOD.: .....**

We ask that you carefully read the instructions within this booklet to enable you to obtain quality results from the outset.

The appliance must be installed only by an authorised person in compliance with the instructions provided. The manufacturer declines all responsibility for improper installation which may harm persons and animals and damage property.

The appliance must be used for the purpose for which it was expressly designed. Any other use (eg heating rooms) is considered to be improper and consequently dangerous. The manufacturer declines all responsibility for damage resulting from improper and irresponsible use.

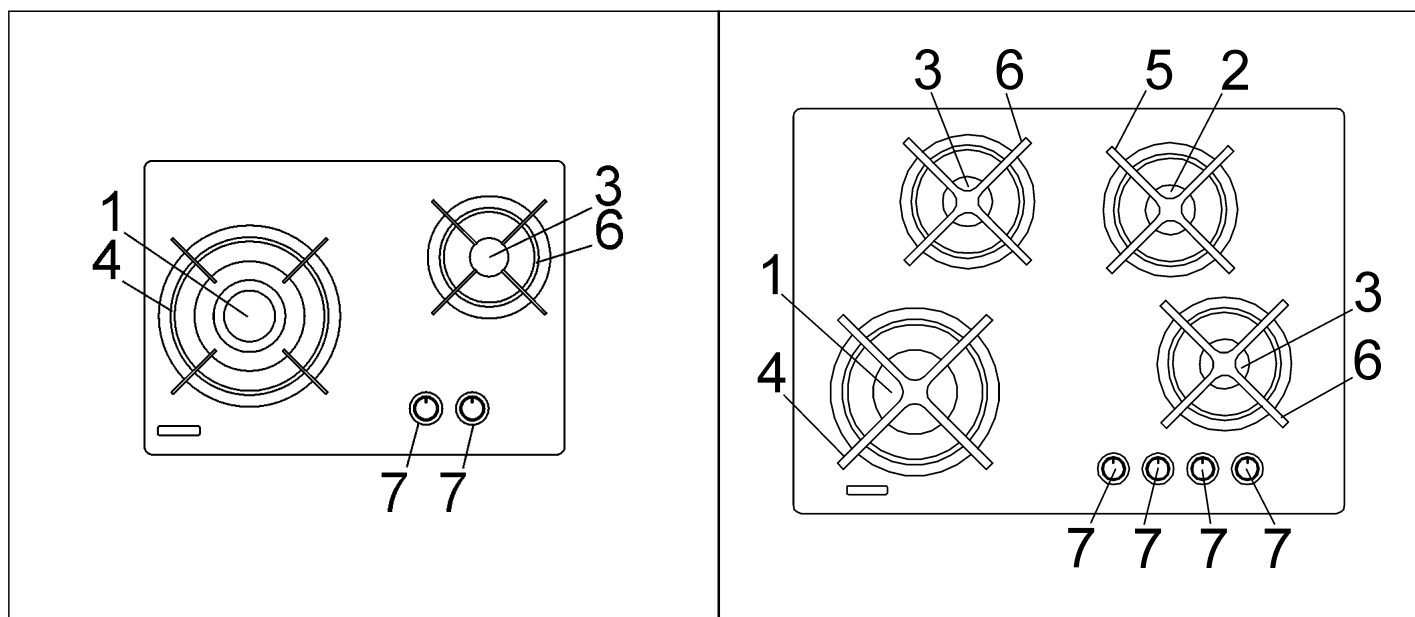
The manufacturer shall not be held responsible for any inaccuracies in this handbook due to printing or transcription errors. The designs in the figures are purely indicative.

The manufacturer also reserves the right to make any modifications to the products as may be considered necessary, useful or in the interests of the user, without jeopardizing the main functional and safety features on the products themselves.

If your cooktop requires service, please contact your local customer service centre or your nearest Blanco agent listed at the back of this booklet.

COD. 01019GG - 18.07.2006

# DESCRIPTION OF THE HOT PLATES



- 1 Ultra rapid gas burner of
- 2 Semirapid gas burner of
- 3 Auxiliary gas burner of
- 4 Cast iron trivet 1 burner
- 5 Cast iron trivet 2 burner
- 6 Cast iron trivet 3 burner
- 7 Burner control knobs

	<i>Natural</i>	<i>U-LPG</i>
1	11.9 MJ	11.9 MJ
2	6.3 MJ	6.3 MJ
3	3.6 MJ	3.6 MJ

**Attention: this appliance has been manufactured for domestic use only and is for use by private persons.**

# USE

## 1) BURNERS

A diagram is screen-printed above each knob on the front panel. This diagram indicates to which burner the knob in question corresponds. After having opened the gas mains or gas bottle tap, light the burners as described below:

### - Manual ignition

Push and turn the knob corresponding to the required burner in an anticlockwise direction until it reaches the full on position (large flame fig. 1), then place a lighted match near the burner.

### - Electrical ignition

Push and turn the knob corresponding to the required burner in an anticlockwise direction until it reaches the full on position (large flame fig. 1), then depress and release the ignition button.

### - Automatic electrical ignition

Push and turn the knob corresponding to the required burner in an anticlockwise direction until it reaches the full on position (large flame fig. 1), then depress the knob.

### - Lighting burners equipped with flame failure device

The knobs of burners equipped with flame failure device must be turned in an anticlockwise direction until they reach the full on position (large flame fig. 1) and come to a stop. Now depress the knob in question and repeat the previously indicated operations.

Keep the knob depressed for about 10 seconds once the burner has ignited.

**Note:** you are advised not to try and light a burner if the flame divider (Burner Cap) is not correctly placed. In the event of burner flames being accidentally extinguished, turn off the burner control and do not attempt to re-ignite the burner for at least 1 minute.

## HOW TO USE THE BURNERS

In order to achieve maximum efficiency with the least possible gas consumption:

- Use adequate pans for each burner (consult the following table and fig. 2).
- When the pan comes to the boil, set the knob to the reduced rate position (small flame fig. 1).
- Always place a lid on the pans.

Burners	Power ratings		Pan Ø in cm
	Natural	U-LPG	
Ultra rapid	11.9 MJ	11.9 MJ	22 ÷ 28
Semirapid	6.3 MJ	6.3 MJ	16 ÷ 18
Auxiliary	3.6 MJ	3.6 MJ	10 ÷ 14

### WARNINGS:

- **Burners with flame failure device may only be ignited when the relative knob has been set to the Full on position (large flame fig. 1).**
- **Matches can be used to ignite the burners in a blackout.**
- **Never leave the appliance unattended when the burners are being used. Make sure there are no children in the near vicinity. Particularly make sure that the pan handles are correctly positioned and keep a check on foods requiring oil and grease to cook since these products can easily catch fire.**
- **Do not spray aerosols in the vicinity of this appliance while it is in operation.**
- **This appliance is not to be installed in marine craft. Where this appliance is installed in a caravan, it shall not be used as a space heater.**
- **Do not store or use flammable liquids or items in the vicinity of the hotplate.**

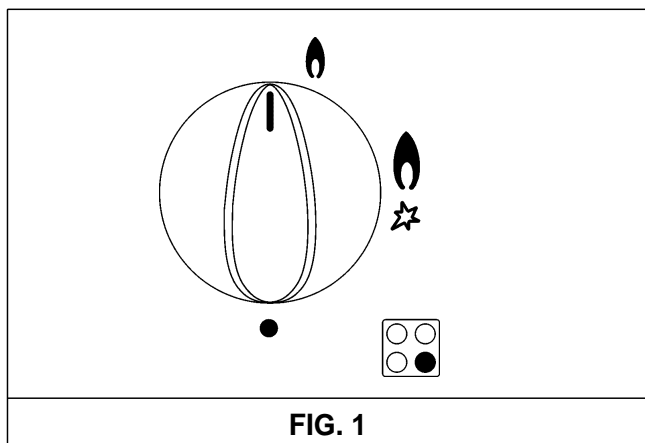


FIG. 1

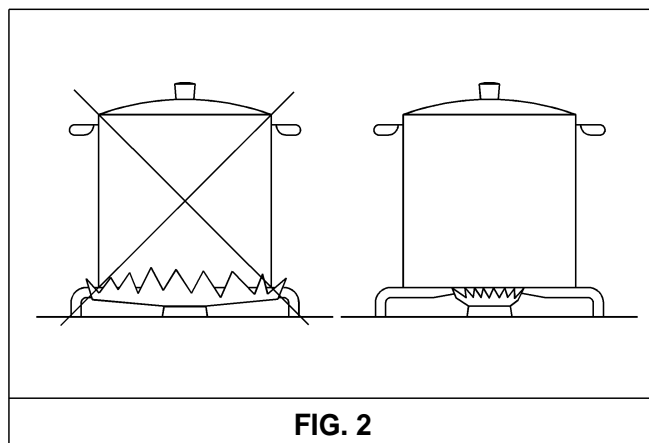


FIG. 2

# USE

## Notes:

Use of a gas cooking appliance produces heat and moisture in the room in which it is installed. The room must therefore be well ventilated by keeping the natural air vents clear (fig. 3) and by activating the mechanical aeration device (rangehood or electric fan fig. 4 and fig. 5).

Intensive and lengthy use of the appliance may require additional ventilation. This can be achieved by opening a window or by increasing the power of the mechanical exhausting system if installed.

Star Trivet: use star trivet whenever using a small pot.

## Abnormal Operation:

Any of the following are considered to be abnormal operation and may require servicing:

- Yellow tipping of the hob burner flame.
- Sooting up of cooking utensils.
- Burners not igniting properly.
- Burners failing to remain alight.
- Burners extinguished by cupboard doors.
- Gas valves which are difficult to turn.

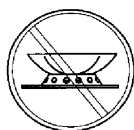
In case the appliance fails to operate correctly, contact the authorised service provider in your area.

Symbol 1



Do not place anything, eg. flame tamer, asbestos mat, between pan and pan support as serious damage to the appliance may result.

Symbol 2



Do not remove the pan support and enclose the burner with a wok stand as this will concentrate and deflect heat onto the hotplate.

Symbol 3



Do not use large pots or heavy weights which can bend the pan support or deflect flame onto the hotplate.

(\*) Air inlet - minimum section 100 cm<sup>2</sup>

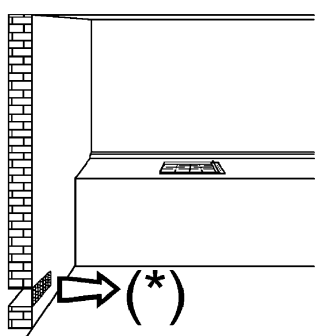


FIG. 3

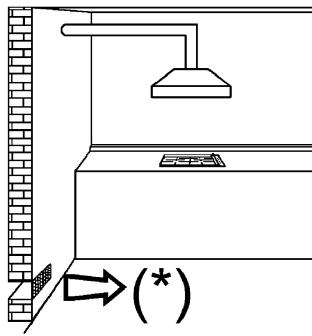


FIG. 4

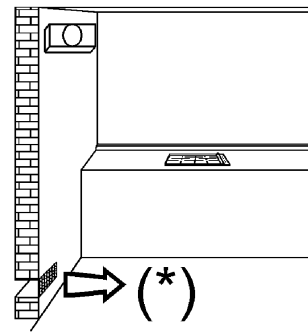


FIG. 5

# CLEANING

## **IMPORTANT:**

**Always disconnect the appliance from the gas and electricity mains before carrying out any cleaning operation.**

## **2) HOT PLATE**

Periodically wash the hot plate, the cast iron pan support, the enamelled burner caps "C" and the burner heads "M" (see fig. 6) with lukewarm soapy water. Following this, all parts should be thoroughly rinsed and dried. Never wash them while they are still warm and never use abrasive powders. Do not allow vinegar, coffee, milk, salted water, lemon or tomato juice from remaining in contact with the enamelled surfaces for long periods of time.

## **WARNINGS:**

**Comply with the following instructions, before remounting the parts:**

- **Check that burner head slots "M" (fig. 6) have not become clogged by foreign bodies.**
- **Check that enamelled burner cap "C" (fig. 6) have correctly positioned on the burner head. It must be steady.**
- **The exact position of the pan support is**

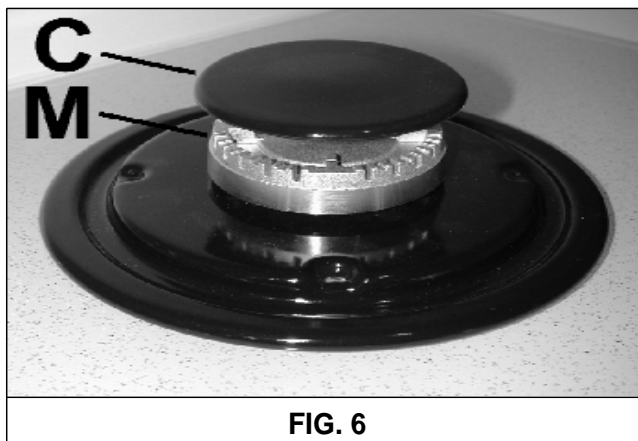
**established by the rounded corners, which should be set towards the side edge of the hot plate.**

- **Do not force the taps if they are difficult to open or close. Contact the technical assistance service for repairs.**
- **Do not use steam jets for cleaning the cooktop.**

## **PREVENTATIVE MAINTENANCE**

This cooktop should not require ongoing maintenance provided you ensure:

- All spillages are cleaned up as soon as they occur.
- Burners are kept clean.
- Burner ports are free of debris, food or anything else that may cause an obstruction.
- Electrode and thermocouples are kept clean.
- Burners are re-assembled correctly.
- Do not get water in the area where the injectors are located.



# INSTALLATION

## TECHNICAL INFORMATION FOR THE INSTALLER

*This appliance shall be installed only by authorised personnel and in accordance with the manufacturer's installation instructions, local gas fitting regulations, municipal building codes, water supply regulations, electrical wiring regulations, AS 5601/AG 601 – Gas Installations and any other statutory regulations.*

### 3) INSTALLING THE HOT PLATE

Check that the appliance is in a good condition after having removed the outer packaging and internal wrappings from around the various loose parts. In case of doubt, do not use the appliance and contact qualified personnel.

**Never leave the packaging materials (cardboard, bags, polystyrene foam, nails, etc.) within children's reach since they could become potential sources of danger.**

The measurements of the opening made in the top of the modular cabinet and into which the hot plate will be installed are indicated in fig. 7.

Always comply with the measurements given for the hole into which the appliance will be recessed (see fig. 7).

Any adjoining wall surface situated within 200 mm from the edge of any hob burner must be a suitable non-combustible material for a height of 150 mm for the entire length of the hob. Any combustible construction above the hotplate must be at least 600

mm above the construction above the top of the burner and no construction shall be within 450 mm above the top of the burner. A minimum depth of 60 mm from the top of the work surface must be provided for this appliance.

### 4) FIXING THE HOT PLATE

The hot plate has a special seal which prevents liquid from infiltrating into the cabinet. Strictly comply with the following instructions in order to correctly apply this seal:

- Take off all the movable parts of the hob.
- Cut the seal in 4 parts of the necessary length to positioning it on the 4 edges of the crystal.
- Overturn the hot plate and correctly position seal "E" (fig. 8) under the edge of the hob itself, so that the outer side of the seal perfectly matches the outer perimetral edge of the hob. The ends of the strips must fit together without overlapping.
- Evenly and securely fix the seal to the hob, pressing it in place with the fingers.
- Remove the strip of protective paper from the seal. Fit the hot plate into the hole in the cabinet and lock it in place with the relative fixing screws "F" of the fixing hooks "G" (see fig. 9).

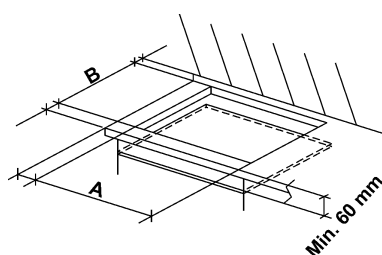


FIG. 7

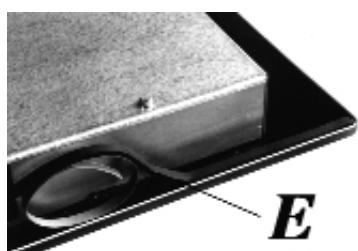


FIG. 8

### COMPLY WITH THE DIMENSIONS

**Overall Dimensions: 680 x 500 mm**

	A	B
2B	480	328
4B	645	470

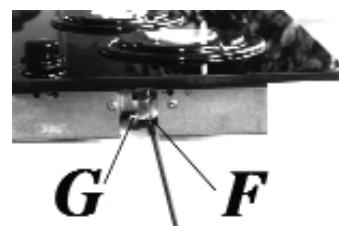


FIG. 9

# INSTALLATION

## 5) LOCATION AND VENTILATION

Ventilation must be in accordance with AS5601/AG 601 – Gas Installations.

In general, the appliance should have adequate ventilation for complete combustion of gas, proper flueing and to maintain temperature of immediate surroundings within safe limits.

The wall and bench surfaces must be capable of sustaining temperatures of 75°C.

All laminates, fixing adhesive and surfacing materials should be certified suitable for this temperature.

## 6) GAS CONNECTION

This gas connection is male 1/2" BSP and is situated at the rear of the appliance, 415 mm from the right hand side and 55 mm from the rear of the cooktop.

**A.** The hotplate can be connected with rigid pipe as specified in AS5601 table 3.1.

**B.** If installing with a hose assembly, install with a hose assembly that complies with AS/NZS 1869 (AGA Approved), 10mm ID, class B or D, no more than 1.2m long and in accordance with AS5601. Ensure that the hose does not contact the hot surfaces of the hotplate, oven, dishwasher or any other appliance that may be installed underneath or next to the hotplate. The hose should not be subjected to abrasion, kinking or permanent deformation and should be able to be inspected along its entire length with the cooktop in the installed position.

Unions compatible with the hose fittings must be used and all connections tested for gas leaks.

The gas supply connection for the hose assembly must be accessible.

### Natural Gas

Natural Gas installations require the connection of a gas regulator at the appliance. This regulator is supplied with the appliance on purchase.

Assemble the regulator (noting the gas flow direction) and transition pieces (supplied with the appliance), in accordance with figure 10.

The transition piece on the supply side of the regulator must be provided by the installer.

The appliance is factory set for Natural Gas. The test point pressure should be adjusted to 1.00 kPa with the wok burner operating at maximum.

### Liquefied Petroleum Gas

In a Universal LPG installation the gas regulation is made at the gas cylinder and regulation at the appliance is not required. The supply pressure should be 2.75 kPa. To connect supply to the appliance use transition pieces as shown in figure 11. These pieces are supplied with the appliance on purchase.

#### WARNING:

**THE BURNER FLAME MUST BE ADJUSTED BY THE INSTALLER.**

**FAULTY INSTALLATION WILL NOT BE COVERED UNDER WARRANTY.**

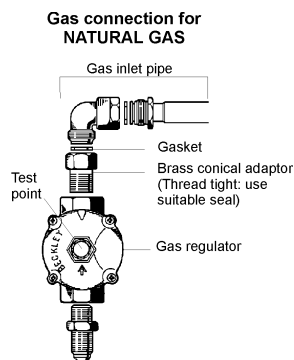


FIG. 10

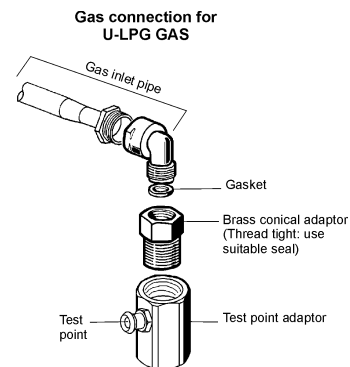


FIG. 11

# INSTALLATION

## 7) ELECTRICAL CONNECTION

The appliance is supplied with a 1800 mm long flexible supply lead.

The point of attachment for this lead is located at the rear and on the underside of the appliance 380 mm from the right hand side.

The voltage and power consumption are detailed on the underside of the appliance. Ensure that the appliance is correctly rated to the supply.

Connect appliance by way of a switched power point.

### **THE APPLIANCE MUST BE EARTHED**

Ensure that this power point is properly earthed. Look at the connection wiring diagrams (fig. 12 or 12/A).

### **a) Data Label**

The Data Label is located on the underside of the hotplate. A duplicate Data Label is supplied to adhere in an accessible area next to the hotplate. This hotplate is suitable for Natural Gas and Universal LPG; ensure that the available gas supply matches the Data Label.

### **b) Before Leaving**

Check that there are no gas leaks, but do not use a naked flame to detect gas leaks. Ignite all burners to ensure correct operation of gas valves, burners, ignition and if fitted, flame failure valves. Turn gas taps to low flame position and observe stability of the flame. When satisfied with the hotplate, please instruct the user on the correct method of operation. In case the appliance falls to operate correctly after all checks have been carried out, refer to the authorised service provider in your area.

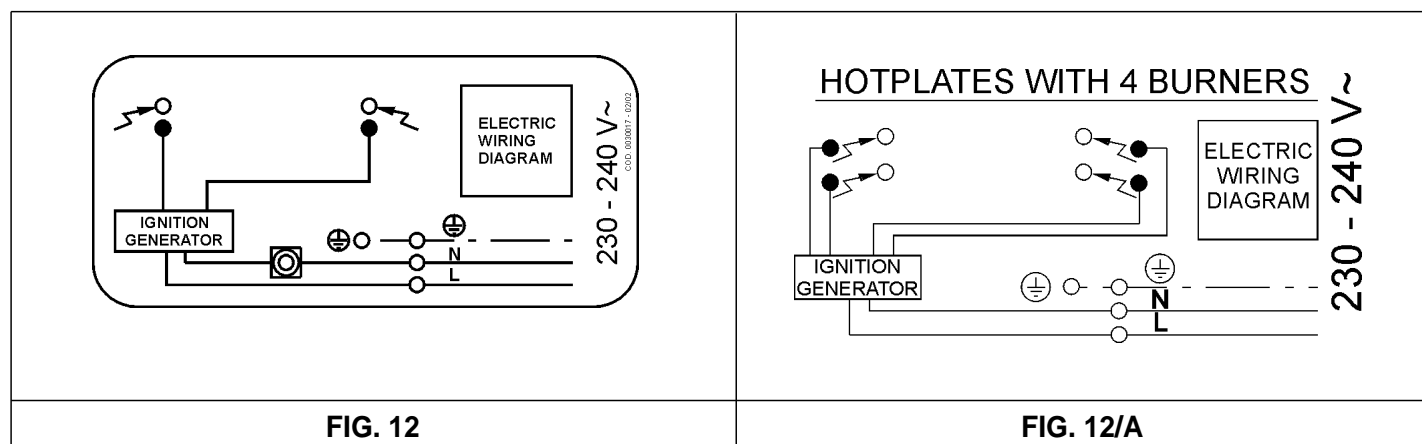


FIG. 12

FIG. 12/A



# ADJUSTMENTS

**Always disconnect the appliance from the electricity main before making any adjustments. All seals must be replaced by the technician at the end of any adjustments or regulations. Our burners do not require primary air adjustment.**

## 8) TAPS

Our taps are suitable for all gas, they are male conical type.

### **“Reduced rate” adjustment**

- Switch on the burner and turn the relative knob to the “Reduced rate” position (small flame fig. 1).
- Remove knob “M” (fig. 13) of the tap, which is simply pressed on to its rod.

- Insert a small screwdriver “D” into hole “C” (fig. 13) and turn the throttle screw to the right or left until the burner flame has been adequately regulated to the “Reduced rate” position.

Check that the flame does not go out when the knob is sharply switched from the “Full on” to the “Reduced rate” position.

***It is understood that only burners operating with Natural gas should be subjected to the above mentioned adjustments. The screw must be fully locked when the burners operate with Liquid gas.***

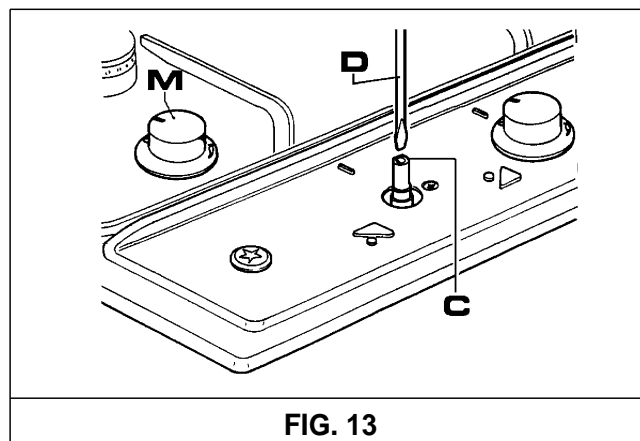


FIG. 13

# CONVERSIONS

## 9) U-LPG TO NATURAL GAS CONVERSION PROCEDURE

Appliance models: Gas crystal glass hotplate models:

**BCGC74 4 Burners**  
**BCGC52 2 Burners**

1. Remove each burner cap and burner skirt.
2. Remove the U-LPG main injector with a 7 mm/VF tube spanner and replace with the appropriate size Natural Gas main injector for each burner. The following injector sizes are required for Natural Gas:

<b>Burner</b>	<b>Main injector</b>
Wok	1.55 mm
Semi Rapid	1.12 mm
Auxiliary	0.85 mm

3. Shut off gas supply to the appliance.
4. Disconnect gas inlet pipe from the U-LPG Gas test point inlet fitting.
5. Remove the U-LPG test point inlet fitting from the appliance.
6. Fit the Natural Gas Regulator supplied in the conversion kit.
7. Connect the gas supply to the Regulator.
8. Check for gas leaks. Do not use a naked flame to check for gas leaks.
9. Adjust the gas pressure to 1.00 kPa.
10. Remove the control knob, with a thin shaft blade screwdriver down the centre of each gas valve shaft, screw the by-pass injector anti-clockwise. Test the appliance on both high and low flame for each burner. If the burner fails to remain alight or the flame is not stable on the simmer setting, adjust the by-pass screw, until flame is stable.
11. If not already removed, remove the "Only for use with U-LPG" label adhered to the bottom panel near the gas connection.

## 10) NATURAL GAS TO UNIVERSAL LPG CONVERSION PROCEDURE

Appliance models: Gas crystal glass hotplate models:

**BCGC74 4 Burners**  
**BCGC52 2 Burners**

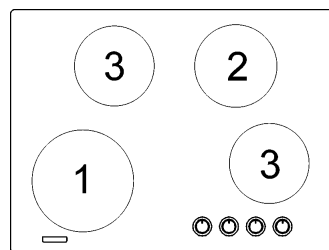
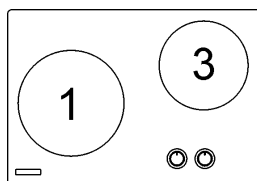
1. Remove each burner cap and burner skirt.
2. Remove the Natural Gas main injector with a 7 mm/VF tube spanner and replace with the appropriate size U-LPG main injector for each burner. The following injector sizes are required for U-LPG:

<b>Burner</b>	<b>Main injector</b>
Wok	0.95 mm
Semi Rapid	0.70 mm
Auxiliary	0.53 mm

3. Remove the control knob, with a thin shaft blade screwdriver down the centre of each gas valve shaft, screw the by-pass injector fully clockwise.
4. Shut off gas supply to the appliance.
5. Disconnect gas inlet pipe from the Natural Gas Regulator.
6. Remove the Natural Gas Regulator from the appliance.
7. Fit the U-LPG test point inlet fitting supplied in the conversion kit.
8. Connect the gas supply to the inlet fitting.
9. Check for gas leaks. Do not use a naked flame to check for gas leaks.
10. Adjust the gas pressure to 2.75 kPa.
11. Test the appliance on both high and low flame for each burner and check the gas pressure. If the burner fails to remain alight or the flame is not stable on the simmer setting, adjust the by-pass screw until flame is stable.
12. If not already removed, remove the "Only for use with Natural Gas" label adhered to the bottom panel near the gas connection.

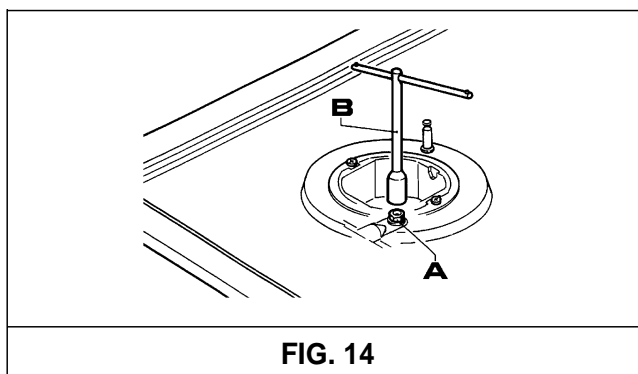
# CONVERSIONS

## BURNER ARRANGEMENT ON THE HOT PLATE



**TABLE**

BURNERS		GAS	NORMAL PRESSURE (kPa)	INJECTOR DIAMETER (1/100 mm)	NOMINAL HEAT INPUT (MJ/h) MAX.	BY PASS (1/100 mm)
N°	DESCRIPTION					
1	ULTRA RAPID	U-LPG NATURAL	2.75 1.00	95 155	11.9 11.9	85 85
2	SEMIRAPID	U-LPG NATURAL	2.75 1.00	70 112	6.3 6.3	32 32
3	AUXILIARY	U-LPG NATURAL	2.75 1.00	53 85	3.6 3.6	30 30



# SERVICING

## WARNING:

**Always disconnect the appliance from the electricity and gas mains before proceeding with any servicing operation.**

**Servicing should be carried out only by authorised personnel.**

## 11) COMPONENTS REPLACEMENT

### NOTE:

**BEFORE ANY MAINTENANCE REQUIRING REPLACEMENT OF A COMPONENT IS UNDERTAKEN ENSURE THAT THE ELECTRICAL LEAD HAS BEEN ISOLATED AND REMOVED FROM THE POWER POINT.**

To replace the components fit inside the hob, it is first necessary to remove the hot palte itself from the cabinet, to overturn it, unscrew screws "V" and to remove part "T" (fig. 15).

After having carried out the above listed operations, the burners (fig. 16), taps (fig. 17) and electrical components can all be replaced (fig. 18).

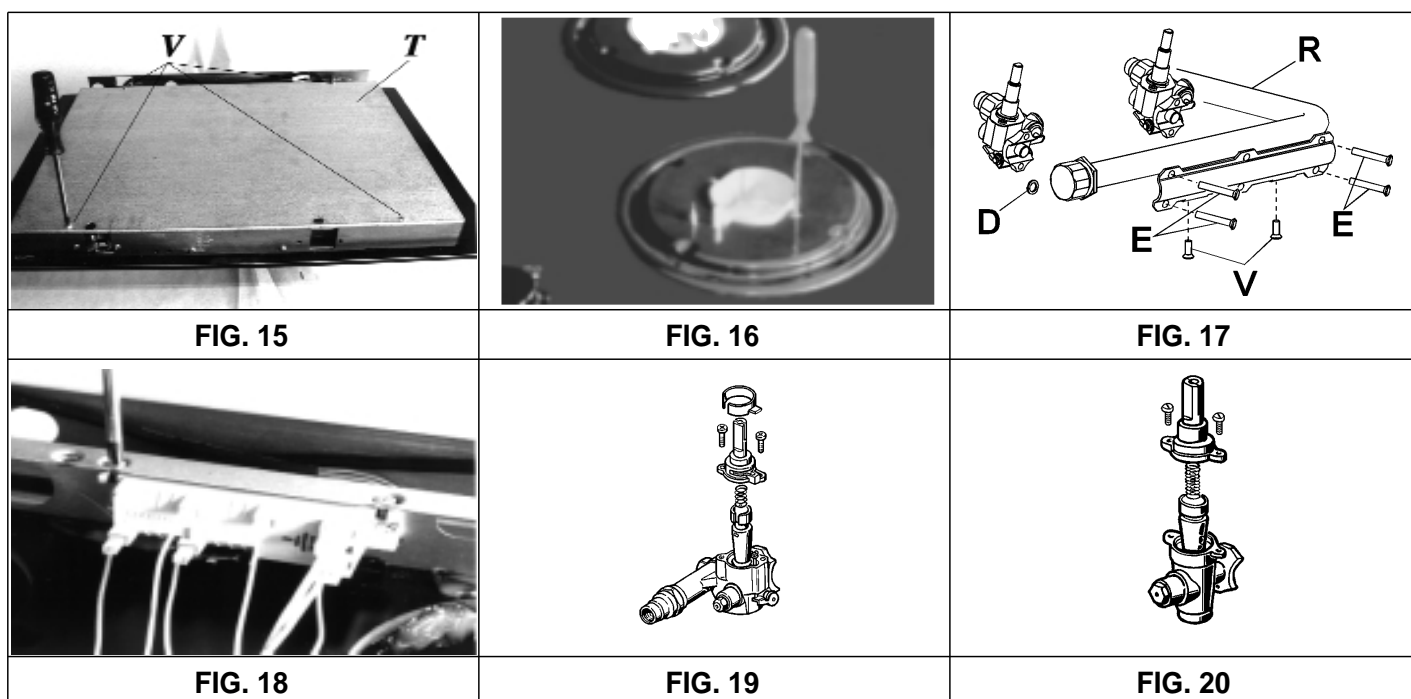
It is advisable to change seal "D" each time a tap is changed in order to ensure a perfect tightness.

### Greasing the taps (see fig. 19 - 20)

If a tap becomes stiff to operate, it must be immediately greased in compliance with the following instructions:

- Remove the tap.
- Clean the cone and its housing using a cloth soaked in diluent.
- Lightly spread the cone with the relative grease.
- Fit the cone back in place, operate it several times and then remove it again. Eliminate any excess grease and check that the gas ducts have not become clogged.
- Fit all parts back in place, complying with the demounting order in reverse.
- The tight closure test must be done using a foamy liquid, **the flame use is forbidden.**

To facilitate the servicing technician's task, here is a chart with the types and sections of the powering cables and the ratings of the electrical components.



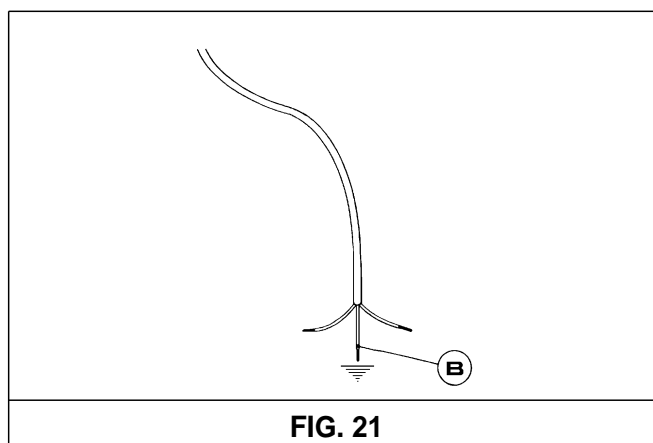
# SERVICING

## CABLE TYPES AND SECTIONS

TYPE OF HOT PLATE	TYPE OF CABLE	SINGLE - PHASE POWER SUPPLY
Gas hot plate	H05 RR - F	Section 3 X 0.75 mm <sup>2</sup>

### **ATTENTION!!!**

*If the power supply cable is replaced, the installer should leave the ground wire longer than the phase conductors (fig. 21) and comply with the recommendations given in paragraph 8.*



# TECHNICAL ASSISTANCE AND SPARE PARTS

## MEA – BLANCO

### TECHNICAL ASSISTANCE AND SPARE PARTS

#### NEW SOUTH WALES

Head Office, Sales & Marketing Office  
104 Vanessa Street  
Kingsgrove NSW 2208  
Telephone: 02 9503 2888  
Facsimile: 02 9503 2810

NSW Showroom\*  
40 Ebley Street  
Bondi Junction NSW 2022  
Telephone: 02 9386 1190  
Facsimile: 02 9386 1671

Agent and Sales Office.  
Hi –Performance Marketing  
7 Coleman Street  
Mascot NSW 2020  
Telephone: 02 88354937  
Facsimile: 02 90048739

Service and Spare Parts  
All General Whitegoods Service  
Telephone: 02 8788 8666  
Facsimile: 02 9756 1091

#### AUSTRALIAN CAPITAL TERRITORY

Service and Spare Parts  
Dettevs Appliance & Electrical Care  
1/88 Sheppard Street  
Hume  
ACT 2905  
Telephone: 02 6280 1033  
Facsimile: 02 6260 1035

#### VICTORIA

State Office and Showroom\*  
35 Centre Road  
Scoresby VIC 3179  
Telephone: 03 8756 7888  
Facsimile: 03 8756 7907

Service and Spare Parts  
Advantage Appliances  
Telephone: 03 9874 4222  
Facsimile: 03 9874 6917

#### QUEENSLAND

State Office and Showroom\*  
148 Robinson Road - East  
Geebung  
QLD 4034  
Telephone: 07 3259 2555  
Facsimile: 07 3265 6933

Endeavour Appliances  
Telephone: 07 3872 7444  
Facsimile: 07 3852 2465

Platinum Appliance Service  
Telephone: 07 3862 1154  
Facsimile: 07 3862 1114

Roshad (Gold Coast)  
Telephone: 07 5535 7044  
Facsimile: 07 5535 7407

#### SOUTH AUSTRALIA & NORTHERN TERRITORY

Agent and Sales Office  
S C Lighting & Electrical Supplies  
47 North Terrace  
Hackney SA 5069  
Telephone: 08 8362 4599  
Facsimile: 08 8362 4591

Service and Spare Parts  
Prestige Appliance Repair Centre  
Telephone: 08 8352 2022  
Facsimile: 08 8352 3044

#### WESTERN AUSTRALIA

Agent and sales Office  
Elite Appliance Marketing Pty Ltd  
P.O. Box 2387, Warwick, 6024  
Telephone: 08 9201 0311  
Facsimile: 08 9201 0366

Service and Spare Parts  
Metropolitan Appliance Repairs  
Telephone: 08 9330 1724  
Facsimile: 08 9317 1296

#### TASMANIA

Agent and Sales Office  
Mark Pearce Agencies  
23 Tranmere Road  
Howrah TAS 7018  
Tel/Fax: 03 6247 9215

Service and Spare Parts  
Electrical Equipment Service (Launceston)  
Telephone: 03 6339 3873  
Facsimile: 03 6339 4588

Baldocks Appliance Service (Hobart)  
Telephone: 03 6234 5995  
Facsimile: 03 6234 8134

#### BLANCO CUSTOMER SERVICE 1300 739 033

Website: [www.meappliances.com.au](http://www.meappliances.com.au)

\* Showrooms open six days a week



## Free Manuals Download Website

<http://myh66.com>

<http://usermanuals.us>

<http://www.somanuals.com>

<http://www.4manuals.cc>

<http://www.manual-lib.com>

<http://www.404manual.com>

<http://www.luxmanual.com>

<http://aubethermostatmanual.com>

Golf course search by state

<http://golfingnear.com>

Email search by domain

<http://emailbydomain.com>

Auto manuals search

<http://auto.somanuals.com>

TV manuals search

<http://tv.somanuals.com>