

### FEATURED MODEL

**157-084-CR** BLANCO MASTER GOURMET™ Faucet in Polished Chrome

### ADDITIONAL MODELS

**157-084-ST** Stainless (Satin Nickel)

### FEATURES

- Professional series standard bearer
- Modern arc primary tap with minimalist side lever
- Hanging pressure sprayer with stainless steel hose protector coil
- Solid brass body
- Ceramic disc cartridge
- Reversible mounting hardware adapts to thick or thin mounting surfaces
- 2.2 G.P.M. flow rate
- Installation in a 1-3/8" hole

### CODE/STANDARDS COMPLIANCE

ASME A112.18.1-2005

IAPMO Listed

### WARRANTY

Blanco America's Kitchen faucets feature a "NO HASSLE" LIMITED LIFETIME WARRANTY to be free of all manufacturing defects under normal use. See our complete warranty for details.

While Blanco America endeavors to provide accurate information, all dimensions are nominal, cannot be guaranteed, and are subject to change or cancellation. Blanco America assumes no responsibility for use of superseded or voided specifications.

### PRODUCT SPECIFICATION

Kitchen faucet to include modern arc primary tap and hanging pressure sprayer with stainless steel hose protector coil. Solid brass body and ceramic disc cartridge. Faucet dimensions to be as follows: Reach: 8-5/8"; Spout Height: 10". Reversible mounting hardware to adapt to thick or thin mounting surfaces. Kitchen faucet to be BLANCO MASTER GOURMET™, Model 157-084-\_\_\_\_\_ in \_\_\_\_\_ finish.

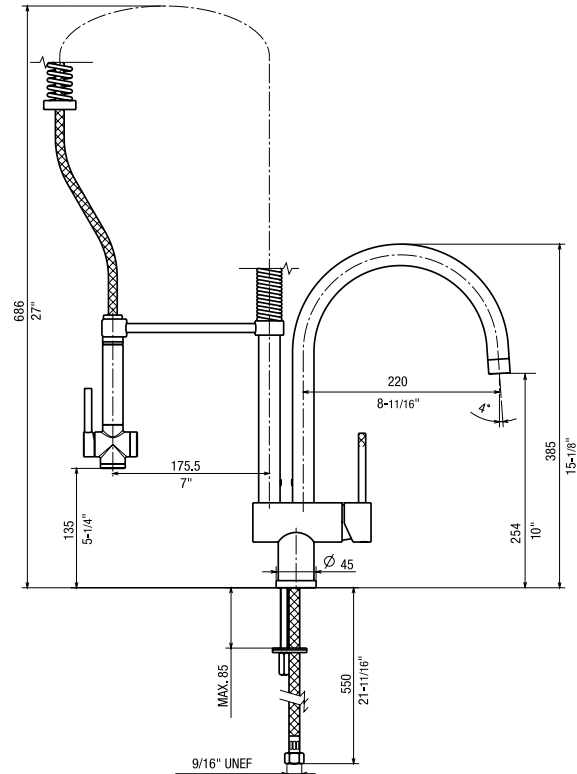
- Polished Chrome 157-084-CR
- Stainless (Satin Nickel) 157-084-ST



MODEL 157-084

### NOMINAL DIMENSIONS

MODEL	REACH	SPOUT HEIGHT	FAUCET HEIGHT
157-084	8-5/8	10	27



### JOB INFORMATION

Job Name: \_\_\_\_\_

Contact: \_\_\_\_\_

Date Specified: \_\_\_\_\_

Specifier: \_\_\_\_\_

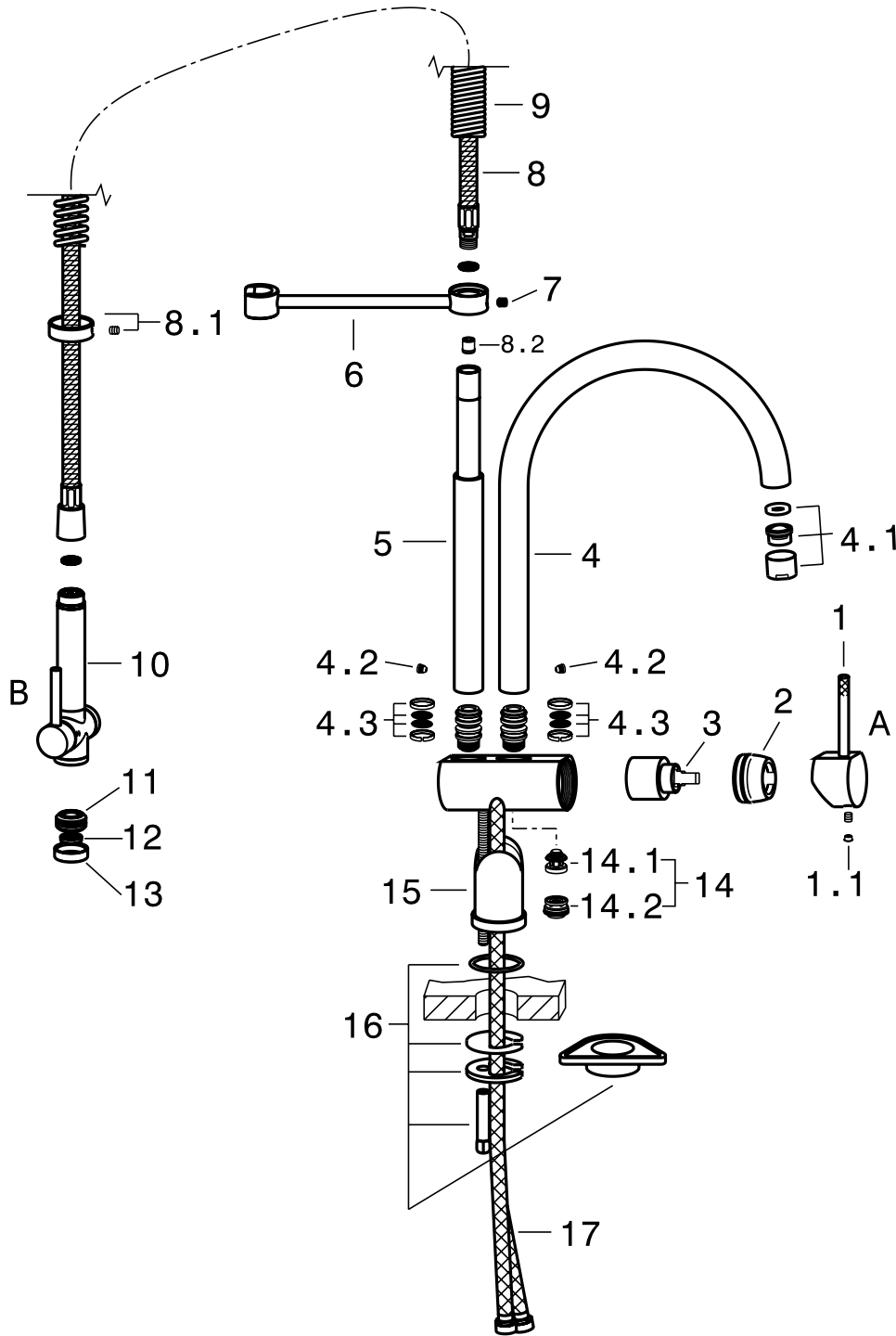
Contractor: \_\_\_\_\_

See next page for exploded parts drawing and parts list.

**BLANCO AMERICA**  
**800.451.5782**  
**www.blancoamerica.com**

**BLANCO MASTER GOURMET™**

**MODEL 157-084**



NUM.	DOC. PART #
1	18350
1.1	16125
2	16801
3	14720
4	15308
4.1	93
4.2	10459
4.3	18352
5	15309
6	18332
7	18354
8	15103
9	16686
9.1	16667
10	15310
11	15311
12	18307
13	15312
14	15314
14.1	15304
14.2	15313
15	18302
16	12308
17	15007
18	15702

## Free Manuals Download Website

<http://myh66.com>

<http://usermanuals.us>

<http://www.somanuals.com>

<http://www.4manuals.cc>

<http://www.manual-lib.com>

<http://www.404manual.com>

<http://www.luxmanual.com>

<http://aubethermostatmanual.com>

Golf course search by state

<http://golfingnear.com>

Email search by domain

<http://emailbydomain.com>

Auto manuals search

<http://auto.somanuals.com>

TV manuals search

<http://tv.somanuals.com>