

FEATURED MODEL

157-093-CR BLANCORADOS PRO™ Faucet in Polished Chrome

ADDITIONAL MODELS

157-093-ST Stainless (Satin Nickel)

FEATURES

- Solid brass body
- Ceramic disc cartridge
- Reversible mounting hardware adapts to thick or thin mounting surfaces
- 2.2 G.P.M. flow rate
- Installation in a 1-3/8" hole

CODE/STANDARDS COMPLIANCE

ASME A112.18.1-2005

IAPMO Listed

WARRANTY

Blanco America's Kitchen faucets feature a "NO HASSLE" LIMITED LIFETIME WARRANTY to be free of all manufacturing defects under normal use. See our complete warranty for details.

While Blanco America endeavors to provide accurate information, all dimensions are nominal, cannot be guaranteed, and are subject to change or cancellation. Blanco America assumes no responsibility for use of superseded or voided specifications.

PRODUCT SPECIFICATION

Kitchen faucet to include solid brass body, ceramic disc cartridge, high rise modern pillar design, minimalist lever handle and "soft touch" pull down spray with easy grip and multiple spray options. Faucet dimensions to be as follows: Reach: 10-1/2"; Spout Height: 15-3/4". Reversible mounting hardware to adapt to thick or thin mounting surfaces. Kitchen faucet to be BLANCORADOS PRO™, Model 157-093-_____ in _____ finish.

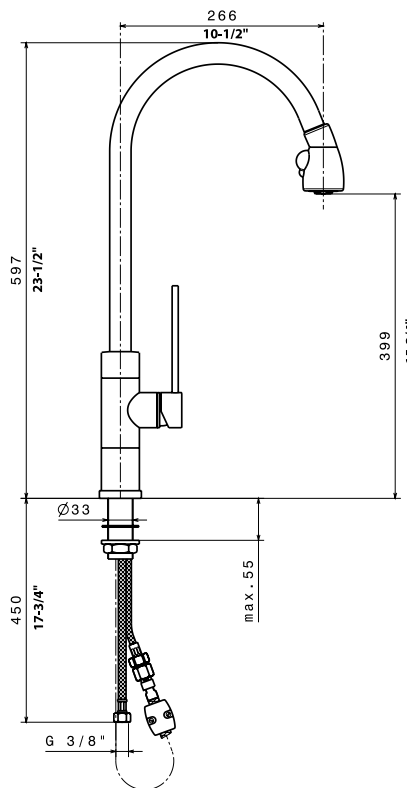
- Polished Chrome 157-093-CR
- Stainless (Satin Nickel) 157-093-ST



MODEL 157-093

NOMINAL DIMENSIONS

MODEL	REACH	SPOUT HEIGHT	FAUCET HEIGHT
157-093	10-1/2"	15-3/4"	23-1/2"



See next page for exploded parts drawing and parts list.

JOB INFORMATION

Job Name: _____

Contact: _____

Date Specified: _____

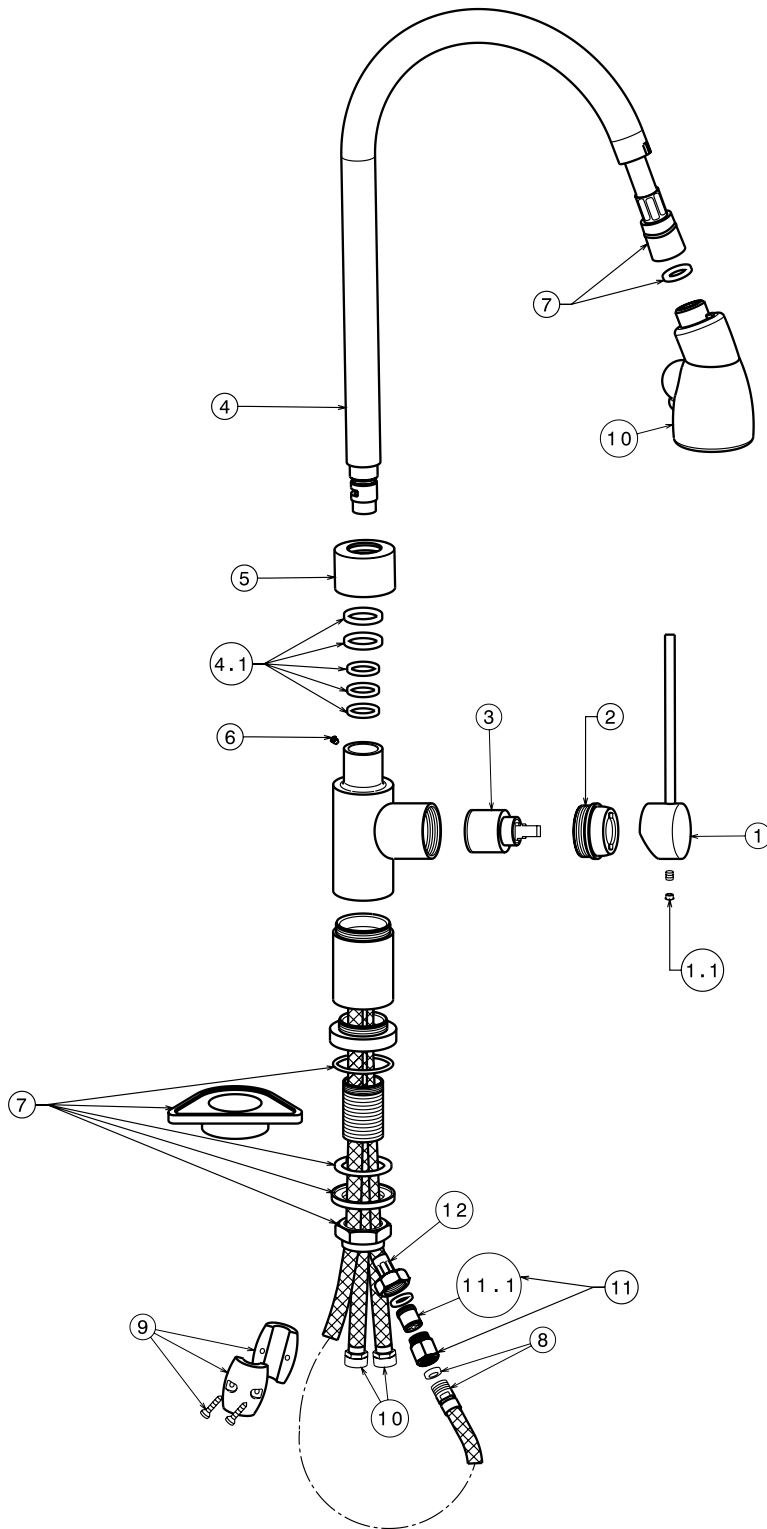
Specifier: _____

Contractor: _____

BLANCO AMERICA
800.451.5782
www.blancoamerica.com

BLANCORADOS PRO™

MODEL 157-093



NUM.	DOC. PART #
1	16680
1.1	16125
2	16034
3	14720
4	17733
4.1	12734
5	12725
6	10236
7	12307
8	15102
9	16599
10	15007
11	15752
11.1	15701
12	15008
13	12720

Free Manuals Download Website

<http://myh66.com>

<http://usermanuals.us>

<http://www.somanuals.com>

<http://www.4manuals.cc>

<http://www.manual-lib.com>

<http://www.404manual.com>

<http://www.luxmanual.com>

<http://aubethermostatmanual.com>

Golf course search by state

<http://golfingnear.com>

Email search by domain

<http://emailbydomain.com>

Auto manuals search

<http://auto.somanuals.com>

TV manuals search

<http://tv.somanuals.com>