

FEATURED MODEL

157-096-CR **BLANCOPURUS I™ Kitchen Faucet in Polished Chrome**

ADDITIONAL MODELS

157-096-ST **Stainless (Satin Nickel)**

157-096-CR/ANTH **Chrome/Anthracite**

FEATURES

- Solid brass body
- Ceramic disc cartridge
- Reversible mounting hardware adapts to thick or thin mounting surfaces
- 2.2 G.P.M. flow rate
- Installation in a 1-3/8" hole, side spray in 1-3/8" hole

CODE/STANDARDS COMPLIANCE

ASME A112.18.1-2005

IAPMO Listed

WARRANTY

Blanco America's Kitchen faucets feature a "NO HASSLE" LIMITED LIFETIME WARRANTY to be free of all manufacturing defects under normal use. See our complete warranty for details.

While Blanco America endeavors to provide accurate information, all dimensions are nominal, cannot be guaranteed, and are subject to change or cancellation. Blanco America assumes no responsibility for use of superseded or voided specifications.

PRODUCT SPECIFICATION

Kitchen faucet to include solid brass body, minimalist lever handle, side spray and ceramic disc cartridge. Faucet dimensions to be as follows: Reach: 10"; Spout Height: 9-1/2". Reversible mounting hardware to adapt to thick or thin mounting surfaces. Kitchen faucet to be BLANCOPURUS I™, Model 157-096-_____ in _____ finish.

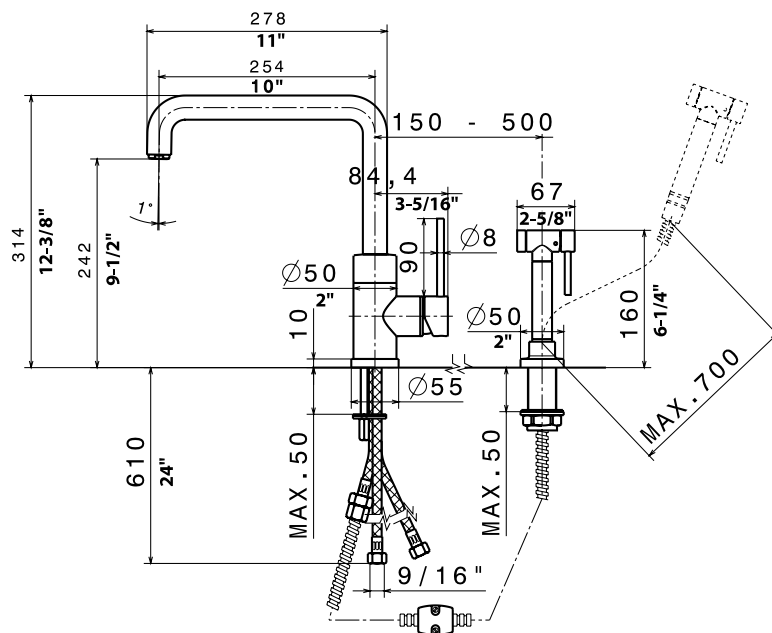
- Polished Chrome 157-096-CR
- Stainless (Satin Nickel) 157-096-ST
- Chrome/Anthracite 157-096-CR/ANTH



MODEL 157-096

NOMINAL DIMENSIONS

MODEL	REACH	SPOUT HEIGHT	FAUCET HEIGHT
157-096	10	9-1/2	12-3/8



See next page for exploded parts drawing and parts list.

JOB INFORMATION

Job Name: _____

Contact: _____

Date Specified: _____

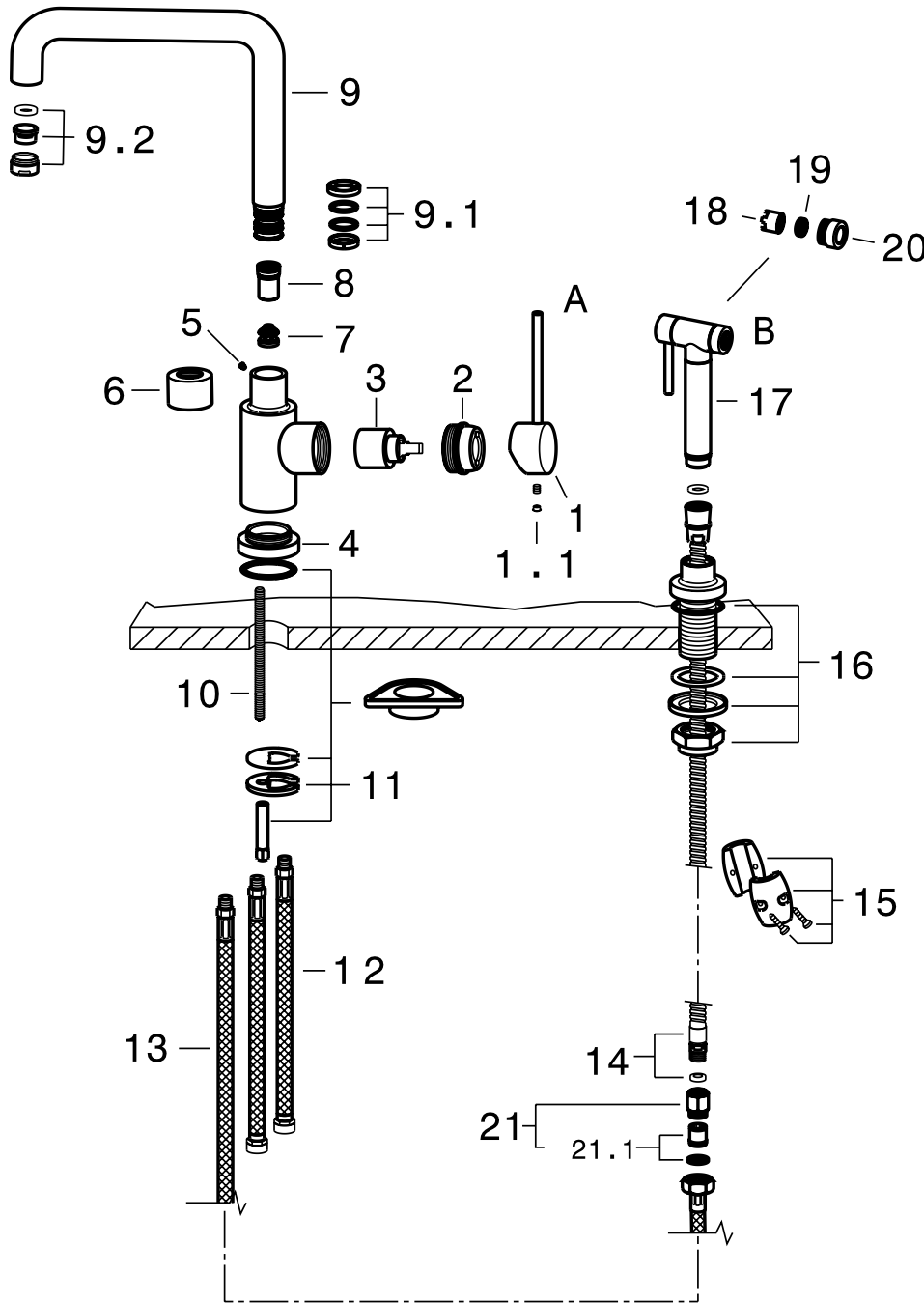
Specifier: _____

Contractor: _____

BLANCO AMERICA
800.451.5782
www.blancoamerica.com

BLANCOPURUS I™ With Side Spray

MODEL 157-096



NUM.	DOC. PART #
1	17970
1.1	16125
2	16034
3	14720
4	17950
5	10235
6	12725
7	15304
8	15303
9	15315
9.1	17972
9.2	89
10	16992
11	17973
12	15005
13	15006
14	15101
15	10618
16	12050
17	15305
18	15306
19	18307
20	15307
21	15752
21.1	157017

Free Manuals Download Website

<http://myh66.com>

<http://usermanuals.us>

<http://www.somanuals.com>

<http://www.4manuals.cc>

<http://www.manual-lib.com>

<http://www.404manual.com>

<http://www.luxmanual.com>

<http://aubethermostatmanual.com>

Golf course search by state

<http://golfingnear.com>

Email search by domain

<http://emailbydomain.com>

Auto manuals search

<http://auto.somanuals.com>

TV manuals search

<http://tv.somanuals.com>