

FEATURED MODEL

157-099-ST **BLANCO CUBIQ™ in Stainless (Satin Nickel)**

ADDITIONAL MODELS

157-099-CR **Polished Chrome**

FEATURES

- Solid brass body
- Ceramic disc cartridge
- Reversible mounting hardware adapts to thick or thin mounting surfaces
- 2.2 G.P.M. flow rate
- Installation in a 1-3/8" hole
- Double spiral flexible pull-down spray hose
- Stream only

CODE/STANDARDS COMPLIANCE

ASME A112.18.1-2005

IAPMO Listed

WARRANTY

Blanco America's Kitchen faucets feature a LIMITED LIFETIME WARRANTY to be free of all manufacturing defects under normal use. See our complete warranty for details.

While Blanco America endeavors to provide accurate information, all dimensions are nominal, cannot be guaranteed, and are subject to change or cancellation. Blanco America assumes no responsibility for use of superseded or voided specifications.

PRODUCT SPECIFICATION

Kitchen faucet to include solid brass body, minimalist lever handle, pull-down spray and ceramic disc cartridge. Faucet dimensions to be as follows: Reach: 8"; Spout Height: 11-3/4". Reversible mounting hardware to adapt to thick or thin mounting surfaces. Kitchen faucet to be BLANCO CUBIQ™, Model 157-099-_____ in _____ finish.

Polished Chrome 157-099-CR

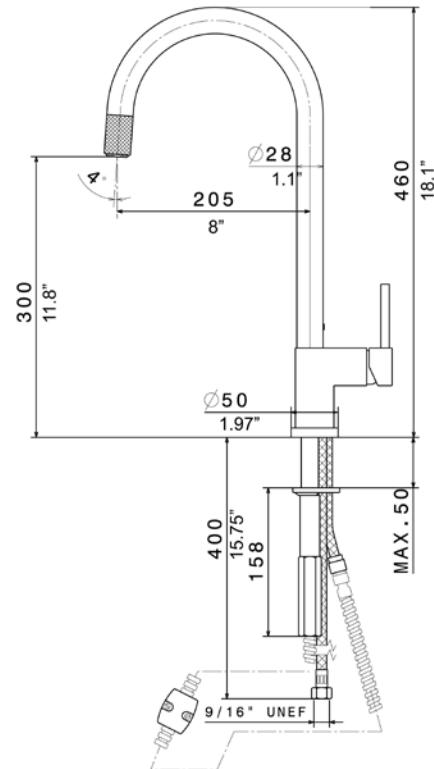
Stainless (Satin Nickel) 157-099-ST



MODEL 157-099

NOMINAL DIMENSIONS

MODEL	REACH	SPOUT HEIGHT	FAUCET HEIGHT
157-099	8	11-3/4	18-1/8



See next page for exploded parts drawing and parts list.

JOB INFORMATION

Job Name: _____

Contact: _____

Date Specified: _____

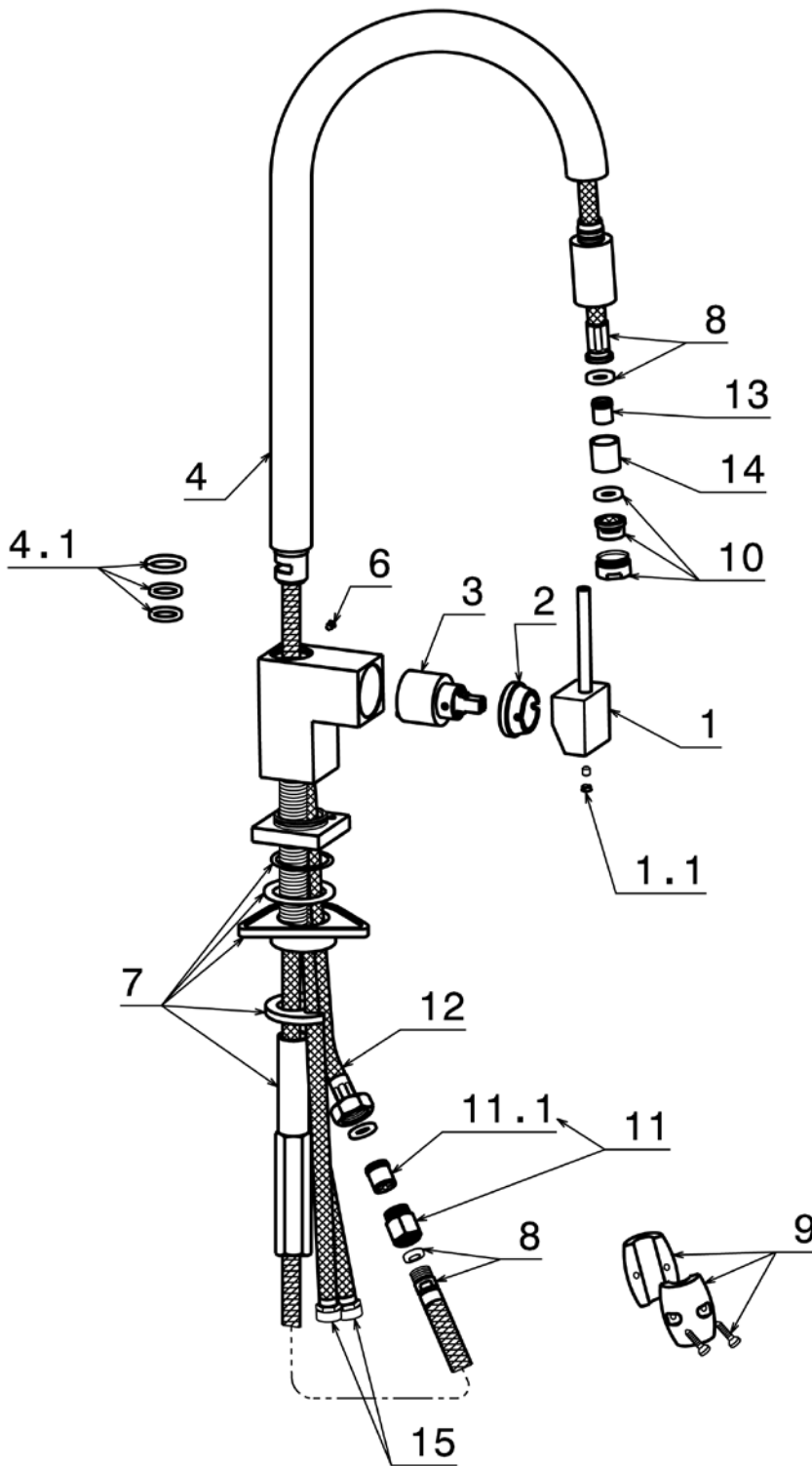
Specifier: _____

Contractor: _____

BLANCO AMERICA
800.451.5782
www.blancoamerica.com

BLANCO CUBIQ™ With Pull-Down Spray

MODEL 157-099



NUM.	DESCRIPTION	DOC. PART #
1	LEVER	19370
1.1	SCREW	16125
2	NUT	11851
3	CARTRIDGE	14720
4	SPOUT	18053
4.1	GASKET SET	12734
6	SCREW	12677
7	MOUNTING SET	12332
8	NYLON HOSE	15112
9	WEIGHT	10618
10	AERATOR	89
11	CONNECTION VALVE	15751
11.1	NO-RETURN VALVE	13612
12	HOSE	15006
13	VALVE	10696
14	BUSH	17421
15	HOSE	15005

Free Manuals Download Website

<http://myh66.com>

<http://usermanuals.us>

<http://www.somanuals.com>

<http://www.4manuals.cc>

<http://www.manual-lib.com>

<http://www.404manual.com>

<http://www.luxmanual.com>

<http://aubethermostatmanual.com>

Golf course search by state

<http://golfingnear.com>

Email search by domain

<http://emailbydomain.com>

Auto manuals search

<http://auto.somanuals.com>

TV manuals search

<http://tv.somanuals.com>