

### FEATURED MODEL

**157-122-CR** BLANCO ESSENCE™ Kitchen Faucet in Polished Chrome

### ADDITIONAL MODELS

157-122-ST Stainless (Satin Nickel)

### FEATURES

- Solid brass body and all metal side spray
- Ceramic disc cartridge
- Extra long supply lines
- 2.2 G.P.M. flow rate
- Installation in a 1-3/8" hole, side spray in 1" hole

### CODE/STANDARDS COMPLIANCE

ASME A112.18.1M-2003  
IAPMO Listed

### WARRANTY

Blanco America's Kitchen faucets feature a "NO HASSLE" LIMITED LIFETIME WARRANTY to be free of all manufacturing defects under normal use. See our complete warranty for details.

While Blanco America endeavors to provide accurate information, all dimensions are nominal, cannot be guaranteed, and are subject to change or cancellation. Blanco America assumes no responsibility for use of superseded or voided specifications.

### PRODUCT SPECIFICATION

Kitchen faucet to include traditional lever handles and high-arc decorative spout, with solid brass body and ceramic disc cartridge. Faucet dimensions to be as follows: Reach: 9"; Spout Height: 9-5/8". Hot and cold supply lines to be color coded. Side spray to be all metal. Reversible mounting hardware to adapt to thick or thin mounting surfaces. Kitchen faucet to be BLANCO ESSENCE™ with side spray, Model 157-122-\_\_\_\_\_in\_\_\_\_\_ finish.

- Polished Chrome 157-122-CR
- Stainless (Satin Nickel) 157-122-ST



MODEL 157-122

### NOMINAL DIMENSIONS

MODEL	REACH	SPOUT HEIGHT	FAUCET HEIGHT
157-122	9	9-5/8	15

**Specification drawing not available at time of publication.**  
**Check our website for an update.**

[www.blancoamerica.com](http://www.blancoamerica.com)

### JOB INFORMATION

Job Name: \_\_\_\_\_

Contact: \_\_\_\_\_

Date Specified: \_\_\_\_\_

Specifier: \_\_\_\_\_

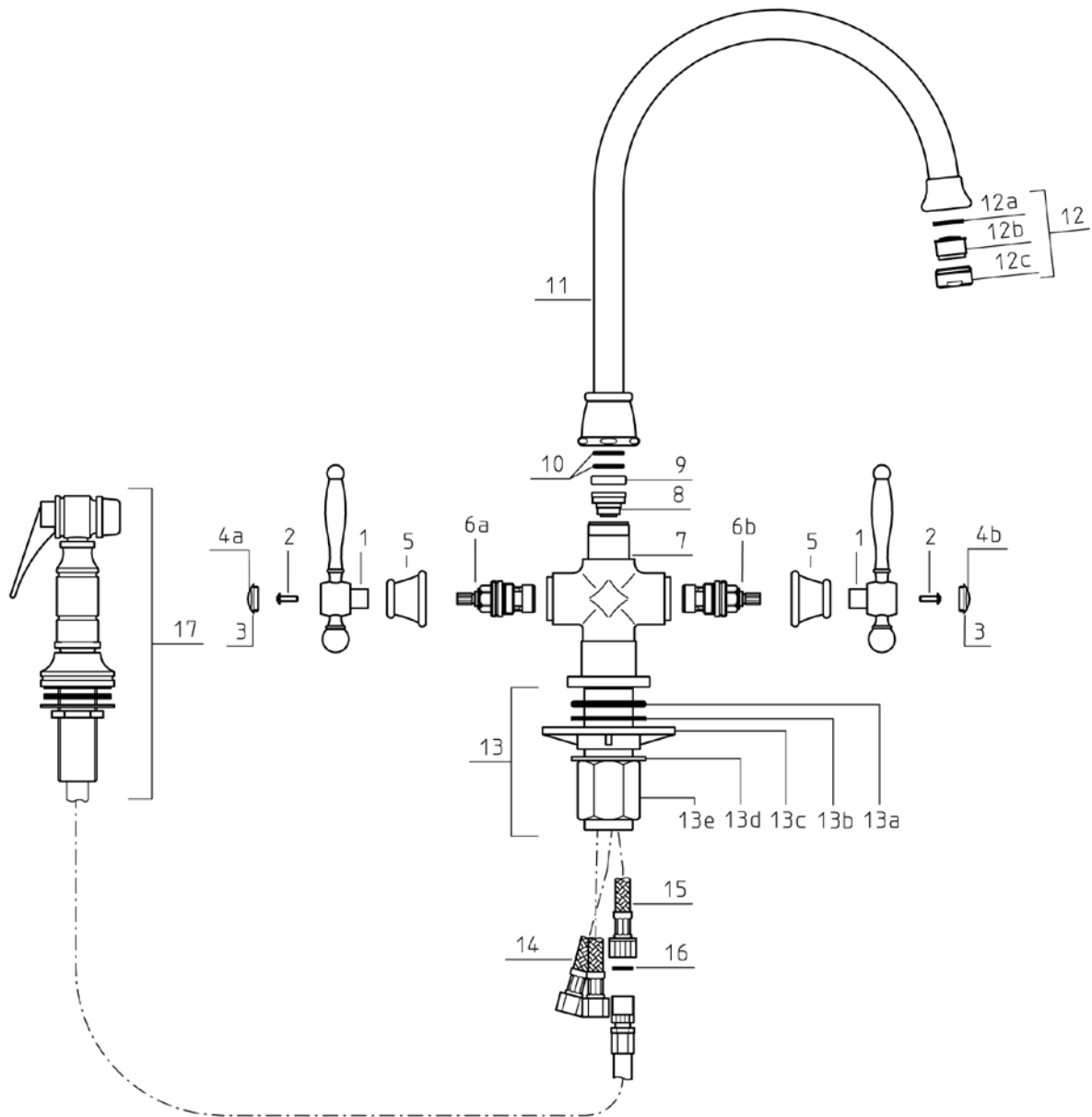
Contractor: \_\_\_\_\_

See next page for exploded parts drawing and parts list.

**BLANCO AMERICA**  
**800.451.5782**  
**www.blancoamerica.com**

### BLANCO ESSENCE™ With Side Spray

### MODEL 157-122



## Free Manuals Download Website

<http://myh66.com>

<http://usermanuals.us>

<http://www.somanuals.com>

<http://www.4manuals.cc>

<http://www.manual-lib.com>

<http://www.404manual.com>

<http://www.luxmanual.com>

<http://aubethermostatmanual.com>

Golf course search by state

<http://golfingnear.com>

Email search by domain

<http://emailbydomain.com>

Auto manuals search

<http://auto.somanuals.com>

TV manuals search

<http://tv.somanuals.com>