

### FEATURED MODEL

**157-124-CR** BLANCO NEO RADOS™ with side spray in Polished Chrome

### ADDITIONAL MODELS

**157-124-ST** Stainless (Satin Nickel)

### FEATURES

- Solid brass body
- Ceramic disc cartridge
- Color coded hot & cold supply lines
- Reversible mounting hardware adapts to thick or thin mounting surfaces
- 2.2 G.P.M. flow rate
- Installation in a 1-3/8" hole, side spray in a 1-3/8" hole

### CODE/STANDARDS COMPLIANCE

ASME A112.18.1-2005

IAPMO Listed

### WARRANTY

Blanco America's Kitchen faucets feature a "NO HASSLE" LIMITED LIFETIME WARRANTY to be free of all manufacturing defects under normal use. See our complete warranty for details.

While Blanco America endeavors to provide accurate information, all dimensions are nominal, cannot be guaranteed, and are subject to change or cancellation. Blanco America assumes no responsibility for use of superseded or voided specifications.

### PRODUCT SPECIFICATION

Kitchen faucet to include loop handle with solid brass body, ceramic disc cartridge and side spray. Faucet dimensions to be as follows: Reach: 10"; Spout Height: 9-1/4". Hot and cold supply lines to be color coded. Reversible mounting hardware to adapt to thick or thin mounting surfaces. Kitchen faucet to be BLANCO NEO RADOS™ with side spray, Model 157-124-\_\_\_\_\_in \_\_\_\_\_ finish.

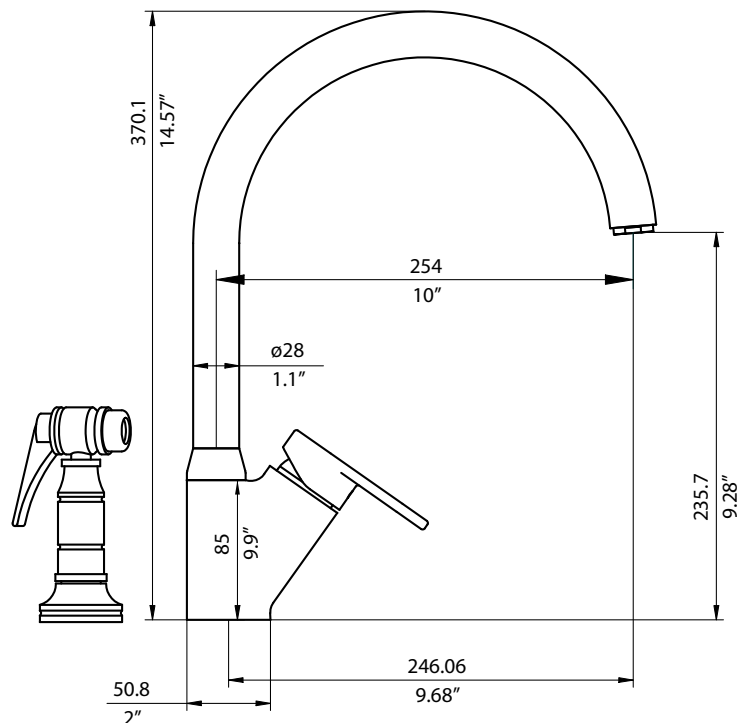
- Polished Chrome 157-124-CR
- Stainless (Satin Nickel) 157-124-ST



MODEL 157-124

### NOMINAL DIMENSIONS

| MODEL   | REACH | SPOUT HEIGHT | FAUCET HEIGHT |
|---------|-------|--------------|---------------|
| 157-124 | 10    | 9-1/4        | 14-1/2        |



See next page for exploded parts drawing and parts list.

### JOB INFORMATION

Job Name: \_\_\_\_\_

Contact: \_\_\_\_\_

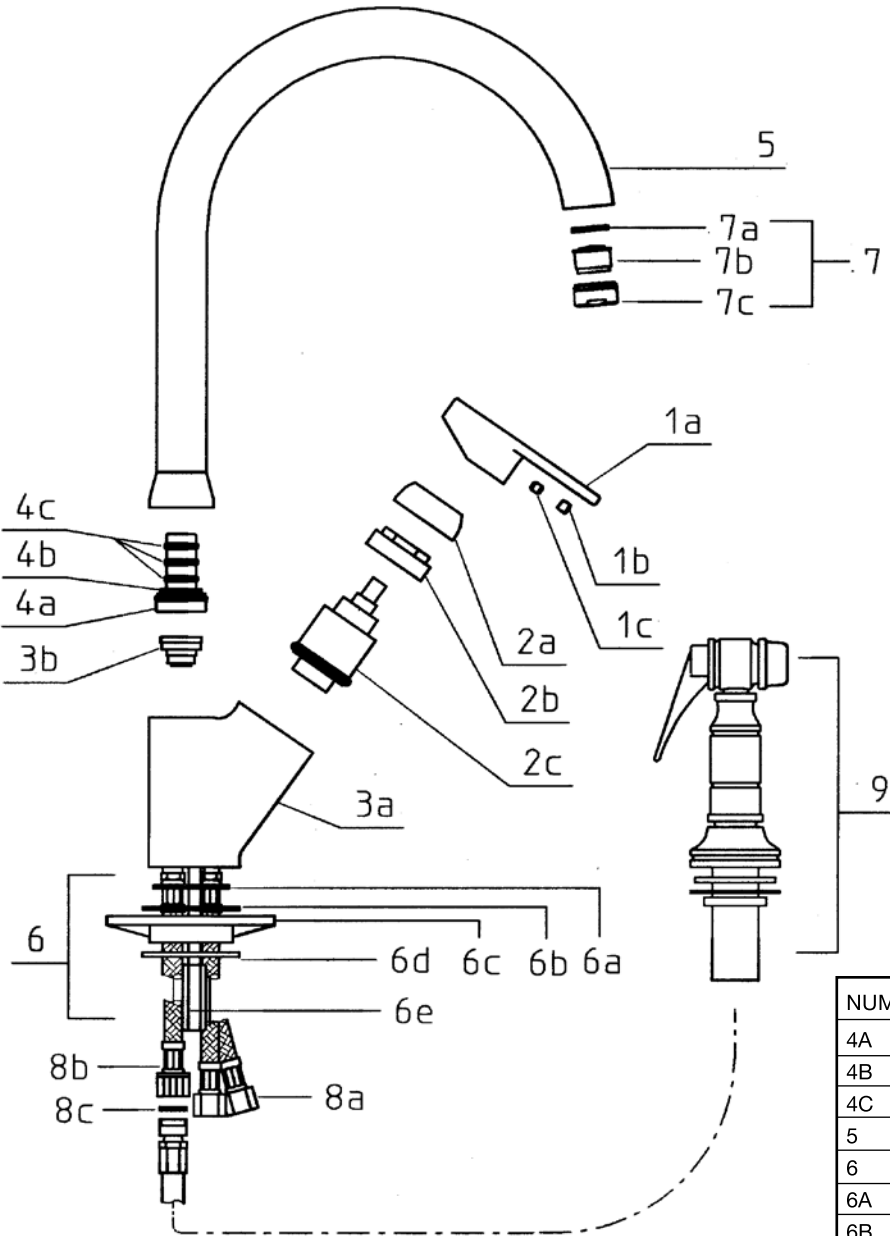
Date Specified: \_\_\_\_\_

Specifier: \_\_\_\_\_

Contractor: \_\_\_\_\_

**BLANCO AMERICA**  
**800.451.5782**  
**www.blancoamerica.com**

### BLANCO NEO RADOS™ MODEL 157-124



| NUM. | PART # | DESCRIPTION |
|------|--------|-------------|
| 1A   | 1762   | HANDLE      |
| 1B   | 1270   | BUTTON      |
| 1C   | 2058   | SCREW       |
| 2A   | 3513   | CAP         |
| 2B   | 3469   | NUT         |
| 2C   | 3908   | CARTRIDGE   |
| 3A   | 1760   | BODY        |
| 3B   | 2453   | DIVERTER    |

| NUM. | PART #      | DESCRIPTION       |
|------|-------------|-------------------|
| 4A   | 3384        | NIPPLE            |
| 4B   | 3657        | TEFLON RING       |
| 4C   | 2.62X12.37  | O-RING            |
| 5    | 3373        | SPOUT             |
| 6    | 1-2105/3    | MOUNTING NUT ASSY |
| 6A   | 1.78X41.00  | O-RING            |
| 6B   | 48X34X2     | RUBBER WASHER     |
| 6C   | 3109        | PLASTIC BASE      |
| 6D   | 2845        | METAL WASHER      |
| 6E   | 2105/2      | NUT               |
| 7    |             | AERATOR SET       |
| 7A   | 683         | RUBBER WASHER     |
| 7B   | 680         | SCREEN            |
| 7C   | 682         | AERATOR RING      |
| 8A   | 2350        | HOSE              |
| 8B   | 2360        | SUPPLY TUBE       |
| 8C   | 13.7X10X1.5 | FIBER             |
| 9    | 1-3643      | SIDE SPRAY        |

## Free Manuals Download Website

<http://myh66.com>

<http://usermanuals.us>

<http://www.somanuals.com>

<http://www.4manuals.cc>

<http://www.manual-lib.com>

<http://www.404manual.com>

<http://www.luxmanual.com>

<http://aubethermostatmanual.com>

Golf course search by state

<http://golfingnear.com>

Email search by domain

<http://emailbydomain.com>

Auto manuals search

<http://auto.somanuals.com>

TV manuals search

<http://tv.somanuals.com>