

FEATURED MODEL

157-135-ST **BLANCOMERIDIAN™ Bridge without side spray in Stainless (Satin Nickel)**

ADDITIONAL MODELS

157-135-CR **Polished Chrome**

FEATURES

- Solid brass body
- Ceramic disc cartridge
- Color coded hot & cold supply lines
- Reversible mounting hardware adapts to thick or thin mounting surfaces
- 2.2 G.P.M. flow rate
- Installation in a 1-3/8" hole

CODE/STANDARDS COMPLIANCE

ASME A112.18.1-2005
 IAPMO Listed

WARRANTY

Blanco America's Kitchen faucets feature a "NO HASSLE" LIMITED LIFETIME WARRANTY to be free of all manufacturing defects under normal use. See our complete warranty for details.

While Blanco America endeavors to provide accurate information, all dimensions are nominal, cannot be guaranteed, and are subject to change or cancellation. Blanco America assumes no responsibility for use of superseded or voided specifications.

PRODUCT SPECIFICATION

Kitchen faucet to include bridge design with cross handles with solid brass body and ceramic disc cartridge. Faucet dimensions to be as follows: Reach: 9-1/2"; Spout Height: 9-1/4". Hot and cold supply lines to be color coded. Reversible mounting hardware to adapt to thick or thin mounting surfaces. Kitchen faucet to be BLANCOMERIDIAN™ Bridge without side spray, Model 157-135-_____ in _____ finish.

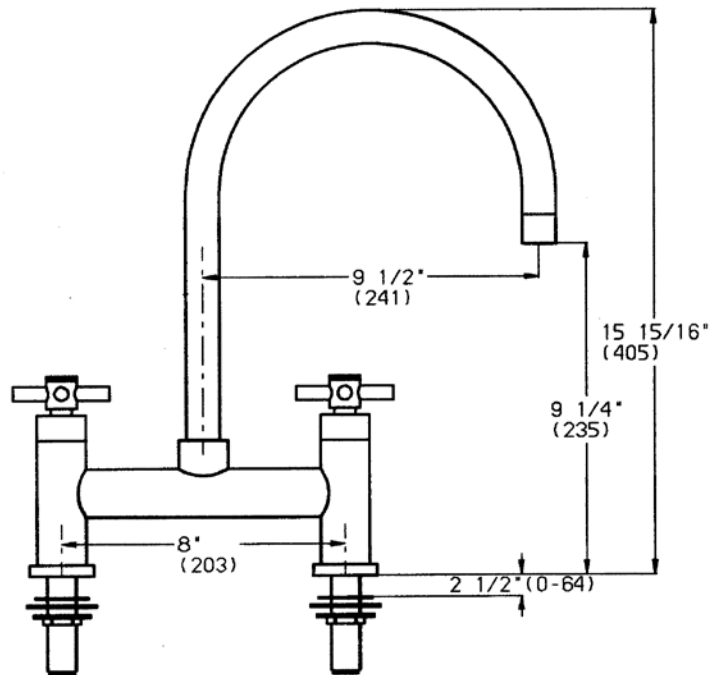
- Stainless (Satin Nickel) 157-135-ST
- Polished Chrome 157-135-CR



MODEL 157-135

NOMINAL DIMENSIONS

MODEL	REACH	SPOUT HEIGHT	FAUCET HEIGHT
157-135	9-1/2	9-1/4	15-15/16



See next page for exploded parts drawing and parts list.

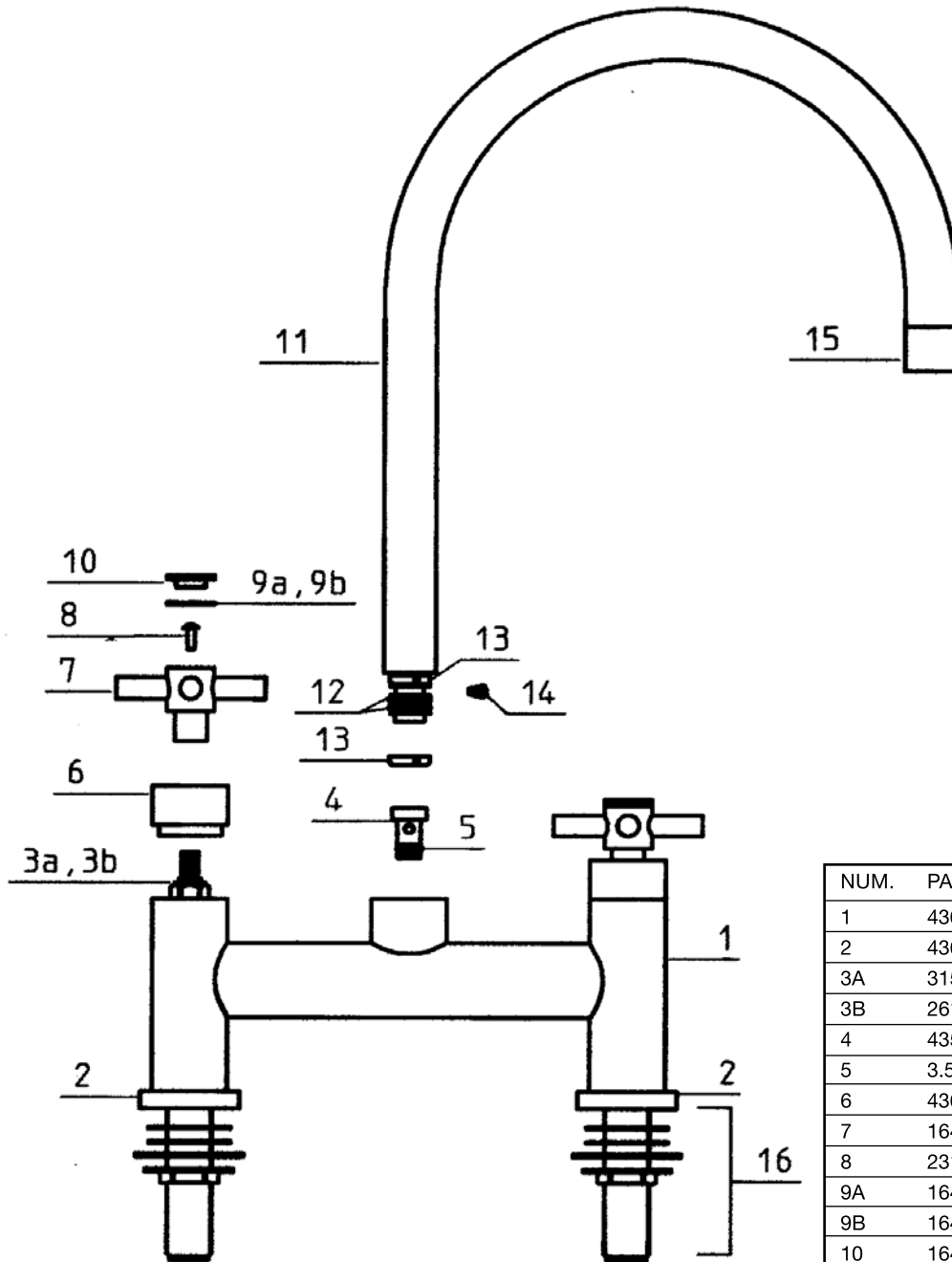
JOB INFORMATION

Job Name: _____
 Contact: _____
 Date Specified: _____
 Specifier: _____
 Contractor: _____

BLANCO AMERICA
800.451.5782
www.blancoamerica.com

BLANCOMERIDIAN™ BRIDGE

MODEL 157-135



NUM.	PART #	DESCRIPTION
1	4361	BODY
2	4362	BASE
3A	315	HEAD WORK LEFT
3B	2614	HEAD WORK RIGHT
4	4358	PLUG
5	3.53X4.34	O-RING
6	4363	COVER
7	1645	LEVER
8	2312	SCREW
9A	1648	RED RING
9B	1649	BLUE RING
10	1647	BUTTON
11	1-4360	SPOUT ASSY
12	2.62X13.1	O-RING
13	4059	TEFLON RING
14	4058	SCREW
15	1-4359	AERATOR SET
16	1-853	MOUNTING NUT ASSY

Free Manuals Download Website

<http://myh66.com>

<http://usermanuals.us>

<http://www.somanuals.com>

<http://www.4manuals.cc>

<http://www.manual-lib.com>

<http://www.404manual.com>

<http://www.luxmanual.com>

<http://aubethermostatmanual.com>

Golf course search by state

<http://golfingnear.com>

Email search by domain

<http://emailbydomain.com>

Auto manuals search

<http://auto.somanuals.com>

TV manuals search

<http://tv.somanuals.com>