

FEATURED MODEL

501-110 7-1/4" & 7-1/4" bowl depths

FEATURES

- 20 gauge, 304 series stainless steel
- 18/8 chrome/nickel content
- Long-lasting, easy-to-clean, satin finish
- Rear drain placement

OPTIONAL ACCESSORIES

Sink Grids: 221-034 (Formerly 501-915)
 221-035 (Formerly 501-916)
 Colander: 215-651

WARRANTY

Blanco America's BLANCOSPEX™ Series sinks feature a 25-year "NO HASSLE" LIMITED WARRANTY to be free of all manufacturing defects under normal use. See our complete warranty for details.

While Blanco America endeavors to provide accurate information, all dimensions are nominal, cannot be guaranteed, and are subject to change or cancellation. Blanco America assumes no responsibility for use of superseded or voided specifications.

PRODUCT SPECIFICATION

Undermount sink to be 1-3/4 bowl design, 32" in length and 20" in front-to-back depth. Sink to be made from 20 gauge, 304 series stainless steel, with 18/8 chrome/nickel content and satin finish. Sink to feature rear drain placement. Sink to be Blanco Model 501-110, with large bowl depth of 7-1/4" and small bowl depth of 7-1/4".

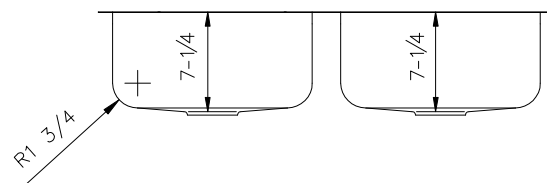
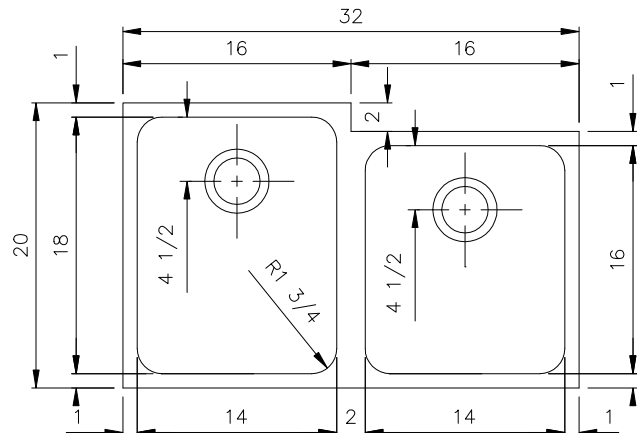


MODEL 501-110

NOMINAL DIMENSIONS

MODEL	OVERALL	CUTOUT SIZE	BOWL DEPTH		DRAIN DIAMETER
			LEFT	RIGHT	
501-110	32 x 20	Template provided with approximate 1/8" reveal	7-1/4	7-1/4	3-1/2

DXF cutout templates available on our web site.



JOB INFORMATION

Job Name: _____
 Contact: _____
 Date Specified: _____
 Specifier: _____
 Contractor: _____

BLANCO AMERICA
800.451.5782
www.blancoamerica.com

© 2007 BLANCO AMERICA
 04/07 SPEC-003

Free Manuals Download Website

<http://myh66.com>

<http://usermanuals.us>

<http://www.somanuals.com>

<http://www.4manuals.cc>

<http://www.manual-lib.com>

<http://www.404manual.com>

<http://www.luxmanual.com>

<http://aubethermostatmanual.com>

Golf course search by state

<http://golfingnear.com>

Email search by domain

<http://emailbydomain.com>

Auto manuals search

<http://auto.somanuals.com>

TV manuals search

<http://tv.somanuals.com>