



# Installation Instructions

Page 1 of 5  
November 2004  
Accessory  
Development

Audio, iPod Interface

Ver 1.0

## **SUBJECT**

*iPod® Interface Kit – P/N 65 11 0 392 139*

## **MODEL**

MINI Cooper (R50):	Select Vehicle Production 03/02 – On*
MINI Cooper-S (R53):	Select Vehicle Production 03/02 – On*
MINI Convertible (R52):	Select Vehicle Production 09/04 – On*

\* Not compatible with 6-Disc CD Changer (SA672), Sirius Satellite Radio, or Hands-Free Phone System.

**SUGGESTED INSTALLATION TIME:** 0.5 Hours

The instructions below are developed for MINI vehicles and are not be compared to any other existing instructions for vehicles other than MINI. No methods other than those specified in this document are to be used for installation in MINI vehicles. Left and right are determined from driver's seat.

Carefully read all instructions and supplements before proceeding with the installation. Reference should be made to TIS for instructions dealing with a stock part of the vehicle but not stated in detail in these instructions.

The instructions were complete and up to date at time of publication; however, changes to the vehicle or installation may have occurred. Please report any problems or changes noted with the installation to BMW Technical Hotline, along with VIN, date of manufacture and as much detail as possible.

## **PARTS INFORMATION**

### ***Contents of Kit – P/N 65 11 0 392 139***

<b>Description</b>	<b>QTY</b>	<b>MINI Part Number</b>
iPod Adapter	1	65 11 0 392 138
iPod I/F cable	1	65 11 0 393 656
Radio I/F cable	1	65 11 0 392 142
Rubber Grommet	1	N/A
Owner's Manual	1	65 11 0 392 140

## **SPECIAL TOOLS**

Pin Removal Tool – 61 1 134

Crimp Tool – 408 449

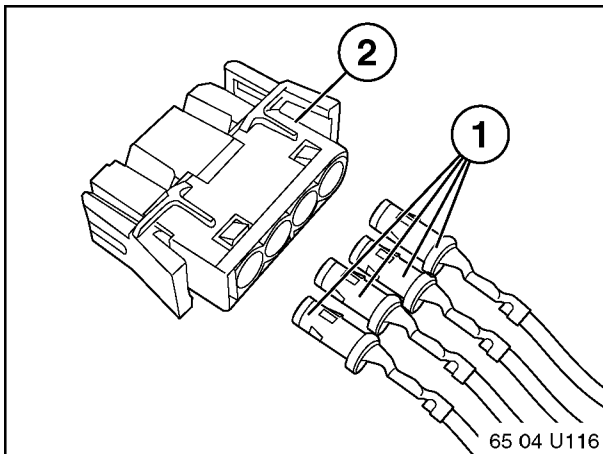
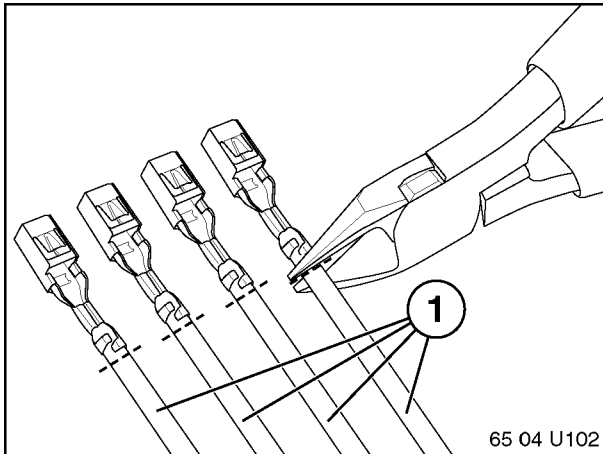
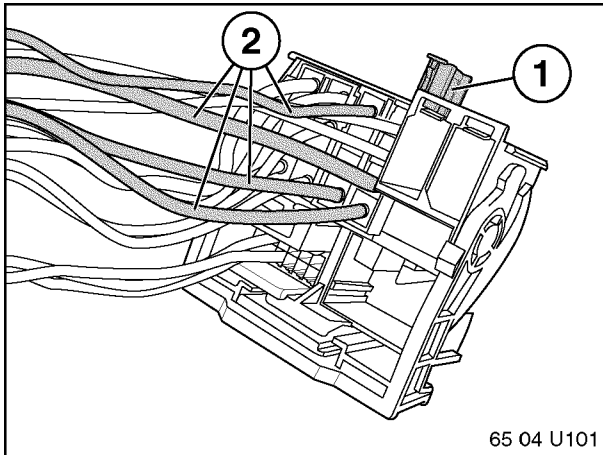
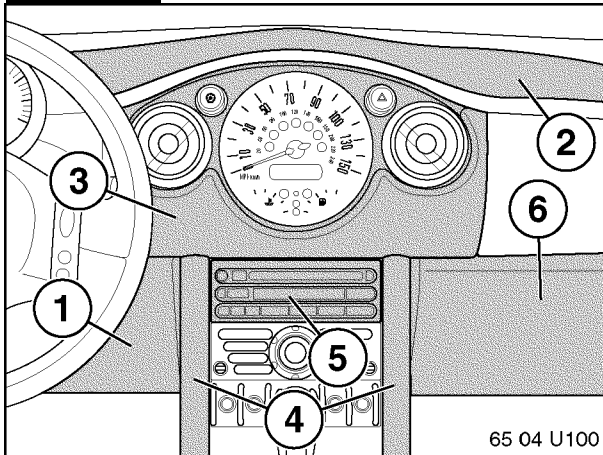
★ DO IT RIGHT THE FIRST TIME, ON TIME, EVERY TIME ★ ★

Installation Instruction P/N 01 29 0 393 657

MINI, a division of BMW of North America, LLC

© 2004 BMW of North America, LLC

Download from [Www.Somanuals.com](http://Www.Somanuals.com). All Manuals Search And Download.

**Procedure:**

1. Disconnect negative battery terminal.
2. Remove the following components using information available in TIS:
  - Drivers knee bolster (1)
  - Center dash face (3) (Refer to RA62 21 001)
  - Radio side pillars (4) (Refer to RA51 16 198)
  - Radio (5) (Refer to RA 65 11 030)
  - Glove box (6)

3. Remove the blue lock (1) from radio harness by releasing tab and sliding upwards, then remove following terminals (2) using AMP terminal removal tool p/n 61 1 134:

Pin #	Color	Description
9	White/Red	I-Bus
12	Brown	Ground
15	Red/Brown	KL 30
16	Violet/Blue	KL-R

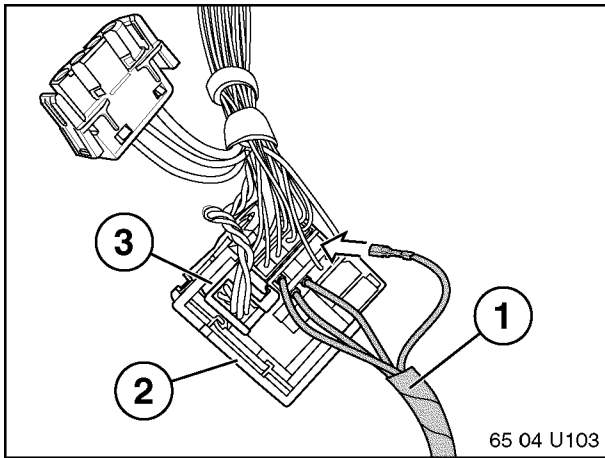
**Note: Wire colors may vary depending on vehicle production changes.**

4. Cut original terminals off of 4 wires (1) removed from locations 9, 12, 15 & 16. Cut wire as close as possible to existing terminal to maintain wire length.
5. Strip 1/8" of wire shielding from 4 wires.
6. Using terminal crimping tool (BMW p/n 408 449 or Snap-on PWC47) crimp new female bullet connectors included in kit onto each of the wires from previous step.

7. Insert pins (1) removed from radio connector into 4-pin connector (2) as follows:

Color	Location	Description
Violet/blue	1	KL-R
Red/brown	2	KL 30
White/red	3	I-Bus
Brown	4	Ground

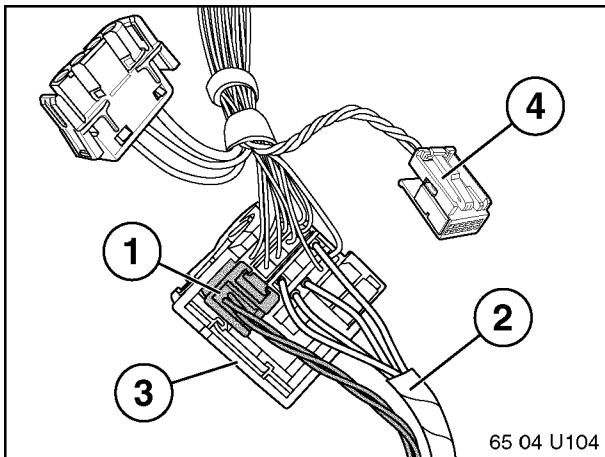
**Note: Wire colors may vary depending on vehicle production changes.**



8. Insert 4 rectangular pins from iPod harness (1) into radio harness (2) as follows:

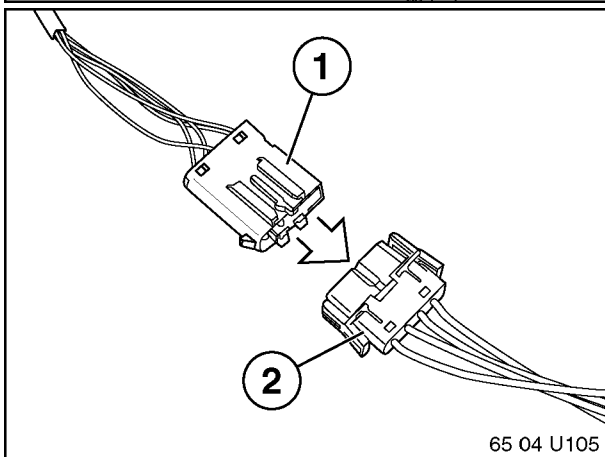
Color	Location	Description
White/gray	9	I-Bus
Brown	12	Ground
Violet/white	16	KL-R
Red/green	15	KL-30

9. Remove white 12-pin connector (3) from lower section of radio connector.

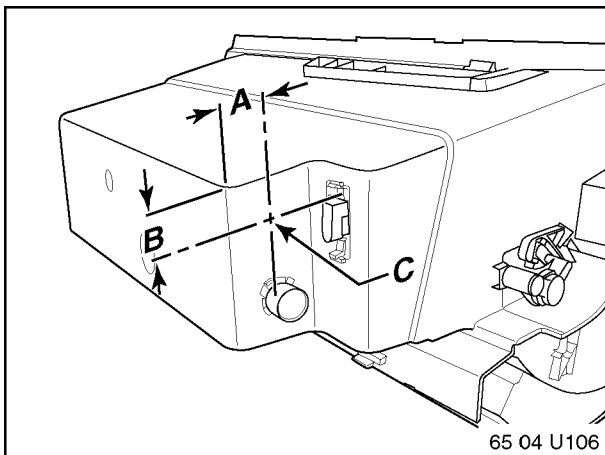


10. Insert white 12-pin connector (1) from iPod harness (2) into lower left section of radio connector (3).

11. The white 12-pin connector (4) removed from the factory radio connector in Step 9 will not be re-used for this installation.

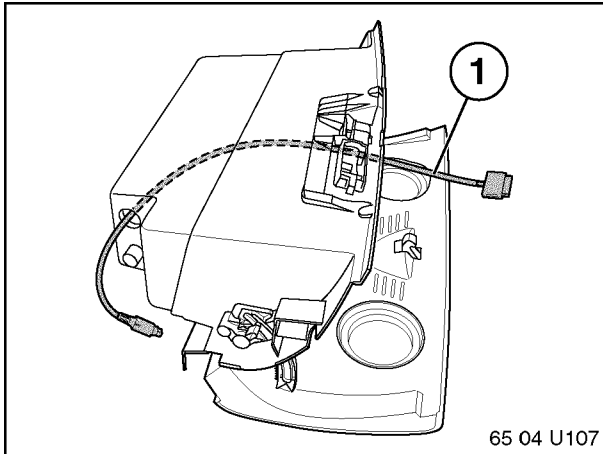


12. Connect 4-pin connectors (1 & 2)

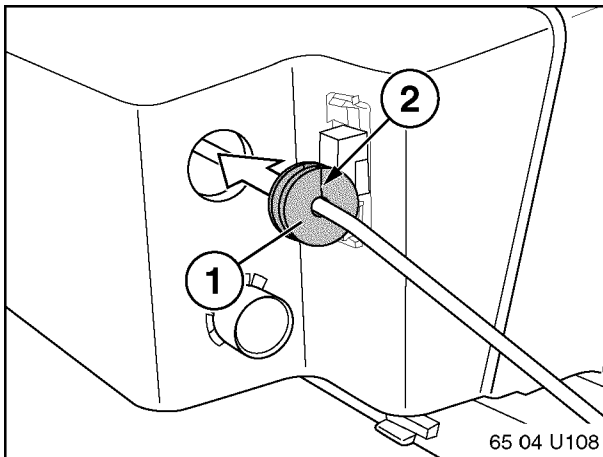


13. Locate and drill 5/8" (16mm) hole in glovebox.

**A = 1" (25mm)**  
**B = 1" (25mm)**  
**C = 5/8" (16mm) Ø**

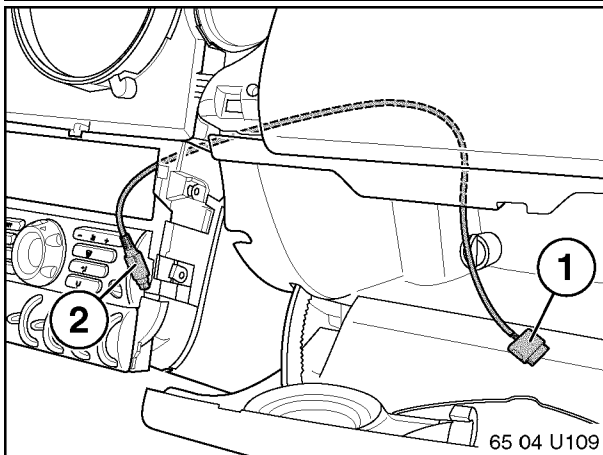


14. Insert iPod cable (1) through hole in glovebox as indicated.



**Note:** Split grommet as shown before placing around iPod cable in order to prevent damage to cable.

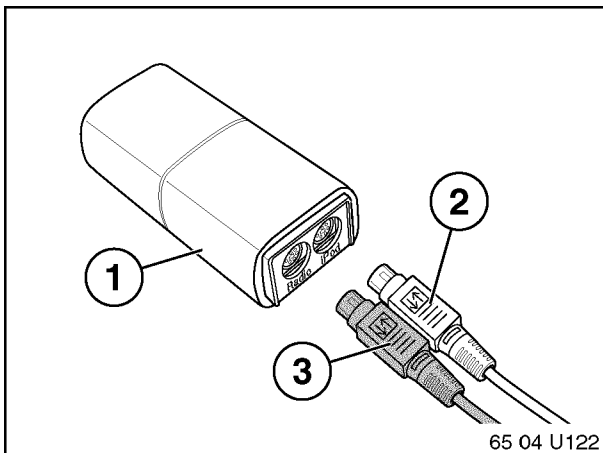
15. Split grommet (1) as indicated (2) and insert grommet through hole in glovebox wall.



16. The flat iPod connector (1) should be located in the glovebox and the 8-pin DIN connector (2) for the adapter box should be routed through the center console to a location behind the radio.

17. Re-connect glovebox vent tube.

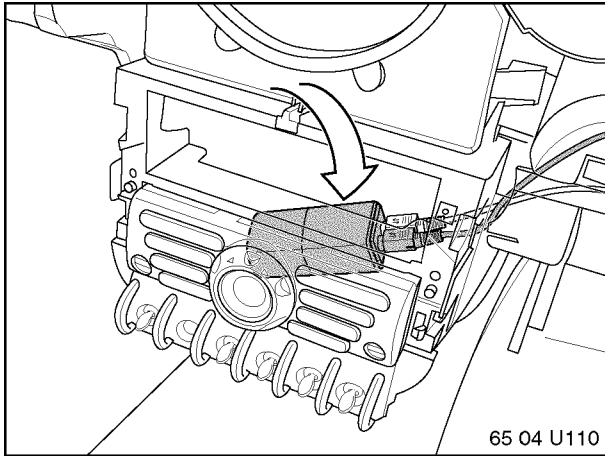
18. Re-install glovebox.



**Caution:** Check for bent pins on adapter cables before attaching to iPod adapter. If pins are damaged carefully bend them back into position with a small screwdriver.

19. Slide iPod adaptor fully into foam padding tube (1).

20. Connect white "iPod" adapter cable (2) and black "Radio" adapter cable (3) to iPod adapter, making sure to connect cables in their proper location.



21. Mount iPod interface as indicated below radio and secure with cable ties(not included).

22. Re-install all components removed for installation procedure.

### **VEHICLE CODING**

There is no vehicle coding required for this installation.

### **TROUBLESHOOTING**

- iPod mode is not selectable from the radio until an iPod is connected. (refer to MINI iPod Interface Owner's Manual)
- This iPod Interface is compatible with the following software versions:
  - Gen3 iPod – SW 2.2 or newer
  - Gen4 iPod - SW 3.0 or newer
  - iPod mini – SW 1.1 or newer

**If the customer's iPod or iPod mini has older versions of software, please advise them to upgrade the software before connecting them to the Interface in their MINI vehicles. (refer to MINI iPod Interface Owner's Manual)**

## Free Manuals Download Website

<http://myh66.com>

<http://usermanuals.us>

<http://www.somanuals.com>

<http://www.4manuals.cc>

<http://www.manual-lib.com>

<http://www.404manual.com>

<http://www.luxmanual.com>

<http://aubethermostatmanual.com>

Golf course search by state

<http://golfingnear.com>

Email search by domain

<http://emailbydomain.com>

Auto manuals search

<http://auto.somanuals.com>

TV manuals search

<http://tv.somanuals.com>