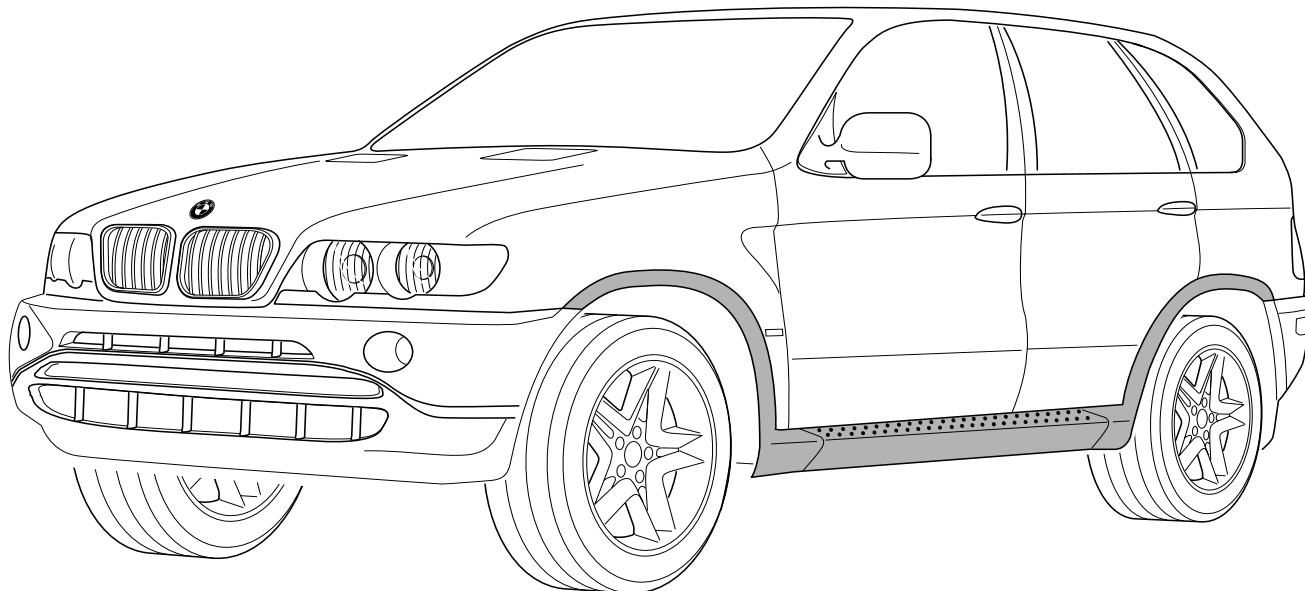




# Parts and Accessories Installation Instructions



F 53 0408 2W

---

## **Retrofit running-board side skirt BMW X5 (E 53)**

Only for use within the BMW dealer organisation.  
Installation time approx. 2 hours.

The installation time may vary depending on the condition of the car and the equipment in it.

Retrofit / Installation kit No. 51 71 0 017 315

## Table of contents

| Section  | Page |
|--|------|
| Important information . . . . .                      | 3    |
| 1. Preparations . . . . .                            | 4    |
| 2. Component overview. . . . .                       | 5    |
| 3. To install the running-board side skirt . . . . . | 6    |

## **Important information**

### **Installation instructions**

All work is shown on the left-hand side of the car. Proceed in exactly the same way on the right-hand side.

### **Target group**

The target group for these installation instructions is staff trained on BMW cars with specialist knowledge of vehicle electrical systems.

Work:

All servicing, repair and installation work on BMW cars is conducted at your own risk.

All work is to be completed using the current BMW

- Repair manuals
- Circuit diagrams

in a rational order using the prescribed tools (special tools) and in compliance with current health and safety regulations.

### **Tools and equipment required**

Set of flat screwdrivers

Set of 1/2 inch sockets

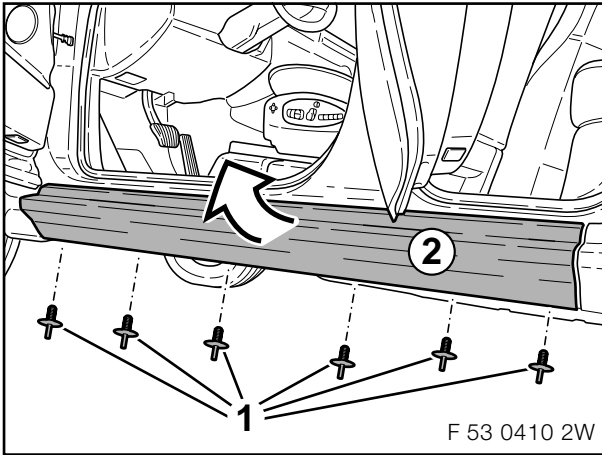
1/2 inch torque wrench

Blind rivet pliers

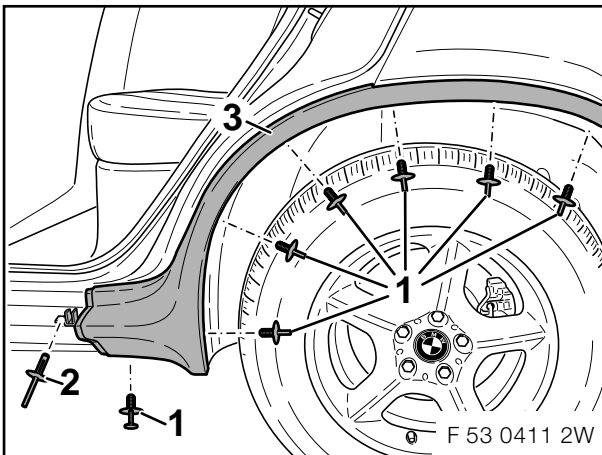
2 mm centrepunch

Hammer

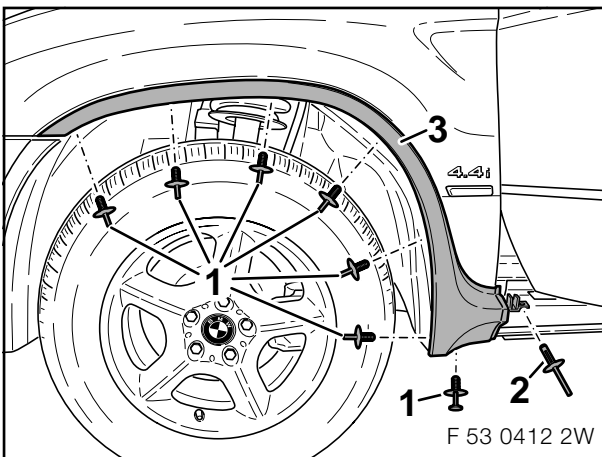
## 1. Preparations



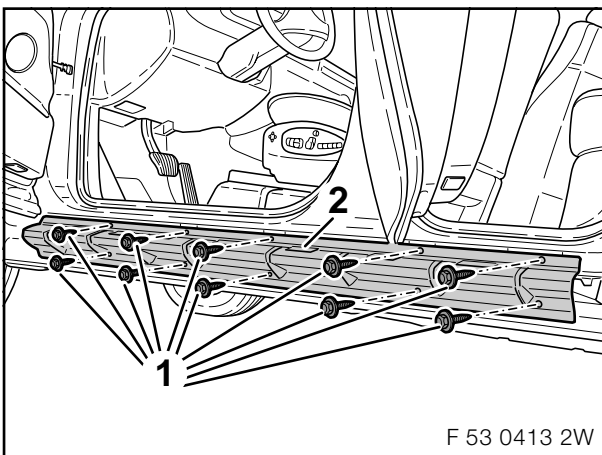
Drive out the expanding rivets (1) and remove the side skirt trim (2) upwards.



Drive out the expanding rivets (1) and blind rivets (2) and remove the rear wheel arch trim (3).

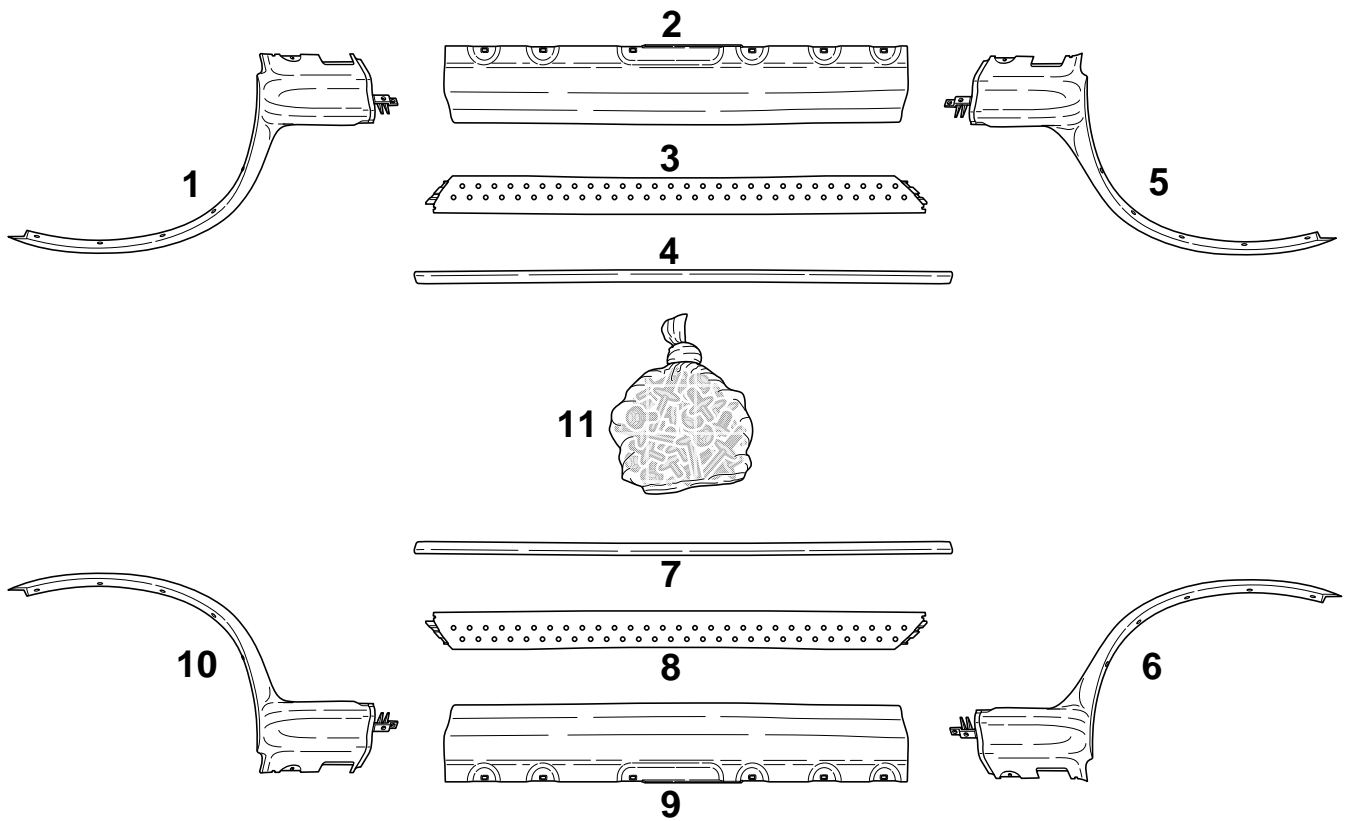


Drive out the expanding rivets (1) and blind rivets (2) and remove the front wheel arch trim (3).



Undo the hexagonal screws (1) and remove the mounting for the side skirt trim (2).

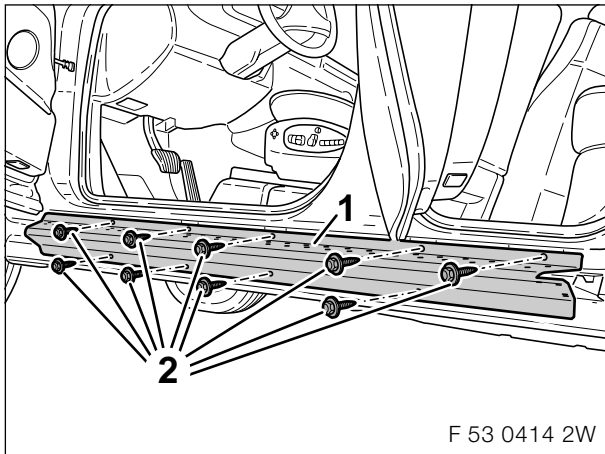
## 2. Component overview




F 53 0409 2W

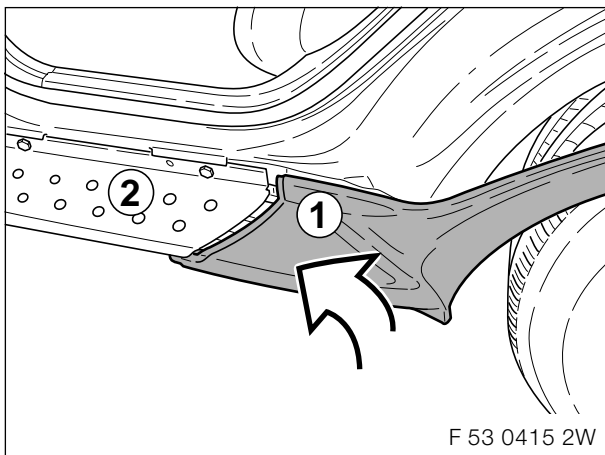
- 1 Wheel arch trim, front right
- 2 Side skirt trim, right
- 3 Running-board, right
- 4 Running-board trim, right
- 5 Wheel arch trim, rear right
- 6 Wheel arch trim, rear left
- 7 Running-board trim, left
- 8 Running-board, left
- 9 Side skirt trim, left
- 10 Wheel arch trim, front left
- 11 Small parts

### 3. To install the running-board side skirt

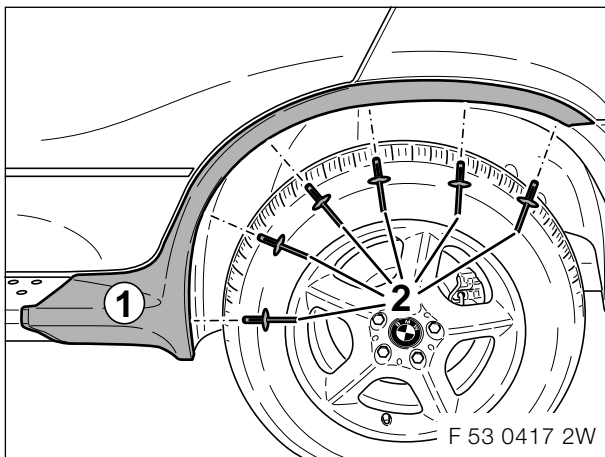


Position the running-board side skirt (1) and turn the enclosed hexagonal screws (2) in two or three turns.

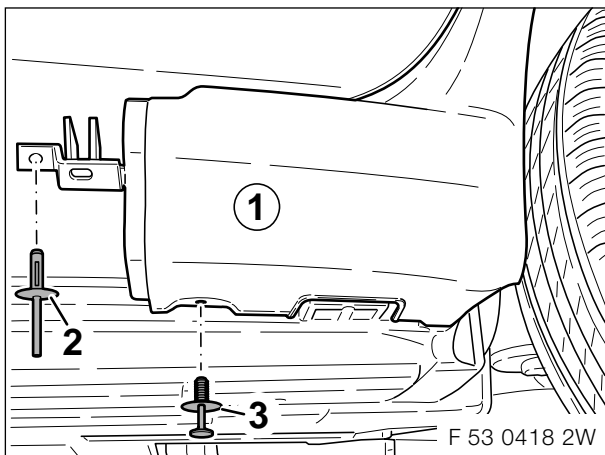
 The running-board side skirt (1) must still be movable in the oval holes. ◀



Insert the trim for the rear wheel arch (1) into the running-board side skirt (2).

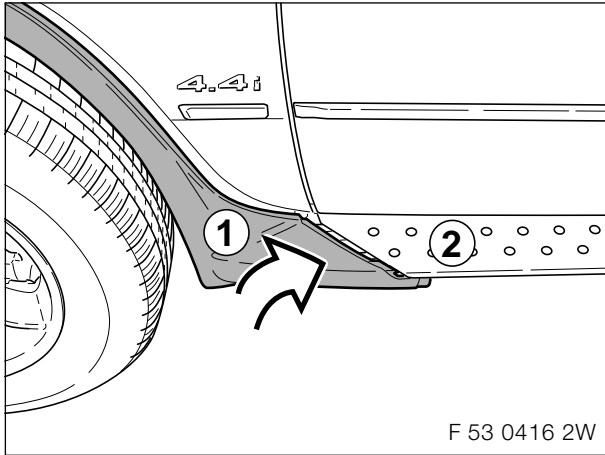


Secure the trim for the rear wheel arch (1) to the wheel arch using the enclosed blind rivets (2).

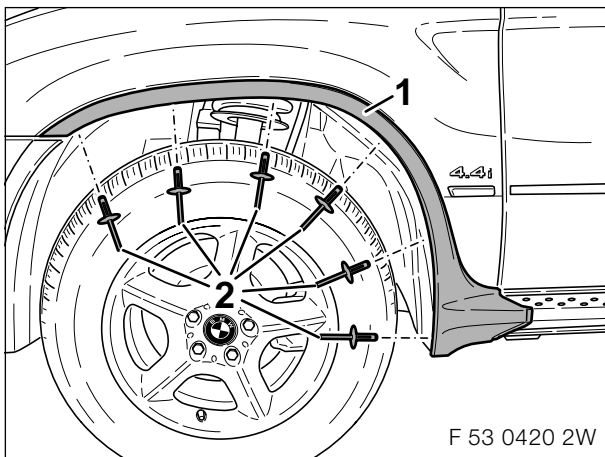


Secure the trim for the rear wheel arch (1) to the side skirt using the enclosed blind rivet (2) and expanding rivet (3).

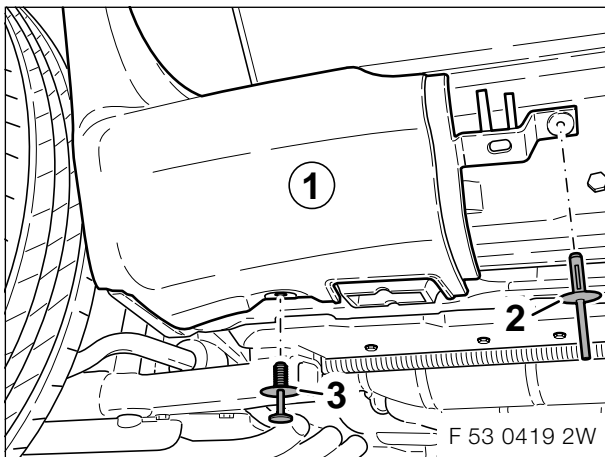
3. To install the running-board side skirt



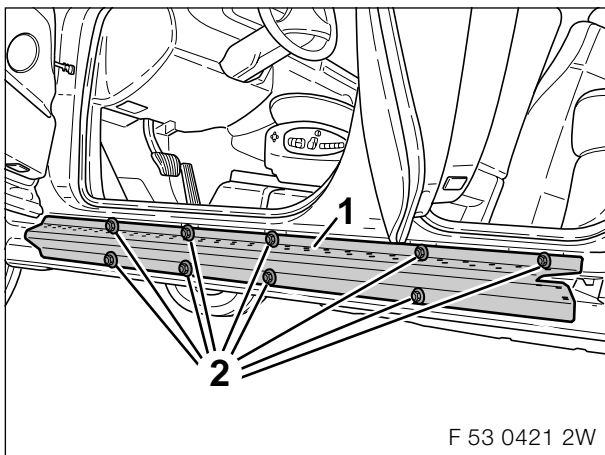
Insert the trim for the front wheel arch (1) into the running-board side skirt (2).



Secure the trim for the front wheel arch (1) to the wheel arch using the enclosed blind rivets (2).

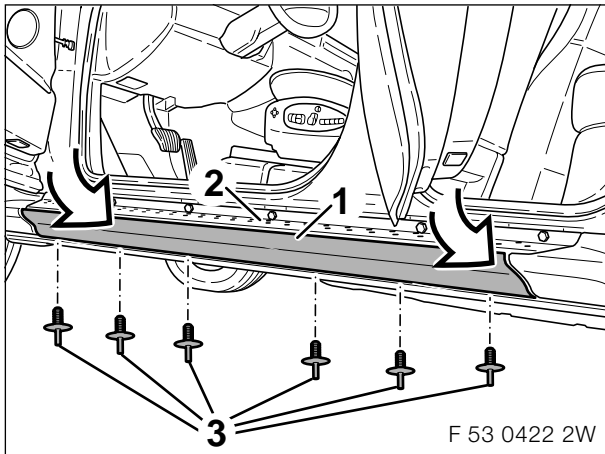


Secure the trim for the front wheel arch (1) to the side skirt using the enclosed blind rivet (2) and expanding rivet (3).

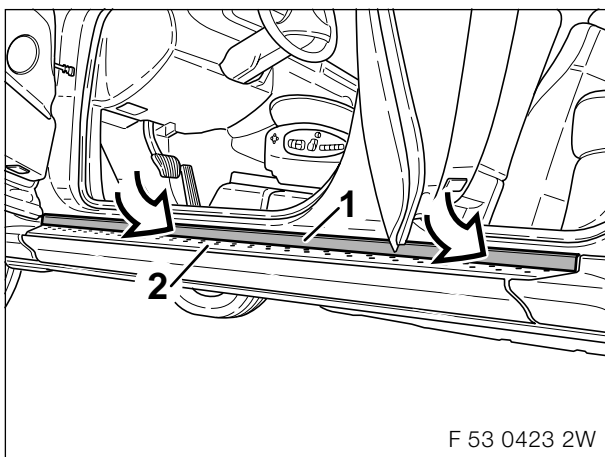


Align the running-board side skirt (1) centrally and tighten the screws (2) with a torque of 24 Nm.

3. To install the running-board side skirt



Attach the trim for the side skirt (1) to the top of the running-board side skirt (2) and clip it into the front and rear wheel arch trims at the sides. Secure it to the side skirt at the bottom using the enclosed expanding rivets (3).



Clip the trim for the running-board (1) into the running-board side skirt (2).



## Free Manuals Download Website

<http://myh66.com>

<http://usermanuals.us>

<http://www.somanuals.com>

<http://www.4manuals.cc>

<http://www.manual-lib.com>

<http://www.404manual.com>

<http://www.luxmanual.com>

<http://aubethermostatmanual.com>

Golf course search by state

<http://golfingnear.com>

Email search by domain

<http://emailbydomain.com>

Auto manuals search

<http://auto.somanuals.com>

TV manuals search

<http://tv.somanuals.com>