

**FEATURED MODEL**

515-820 10" bowl depth

**FEATURES**

- 18 gauge, 304 series stainless steel
- 18/10 chrome/nickel content
- Handcrafted from a single panel of stainless steel
- Zero radius corners
- Elegant and functional drain grooves
- Long-lasting, easy-to-clean, satin polished finish
- Sound-deadening insulation
- Rear drain placement
- New design allows easy installation in standard 25" countertops

**CODE/STANDARDS COMPLIANCE**

ASME 112.19.3-00

IAPMO/UPC listed

**OPTIONAL ACCESSORIES**

Sink Grid: 223-192

**WARRANTY**

Blanco America's STEELART™ sinks feature a LIMITED LIFETIME WARRANTY to be free of all manufacturing defects under normal use. See our complete warranty for details.

While Blanco America endeavors to provide accurate information, all dimensions are nominal, cannot be guaranteed, and are subject to change or cancellation. Blanco America assumes no responsibility for use of superseded or voided specifications.

**PRODUCT SPECIFICATION**

Undermount sink to be 32" in length and 18" in front-to-back depth. Sink to be handcrafted from a single panel of 18 gauge, 304 series stainless steel, with 18/10 chrome/nickel content and satin polished finish. Sink to feature zero radius corners and rear drain placement. Sink to be Blanco Model 515-820, with bowl depth of 10".

**JOB INFORMATION**

Job Name: \_\_\_\_\_

Contact: \_\_\_\_\_

Date Specified: \_\_\_\_\_

Specifier: \_\_\_\_\_

Contractor: \_\_\_\_\_

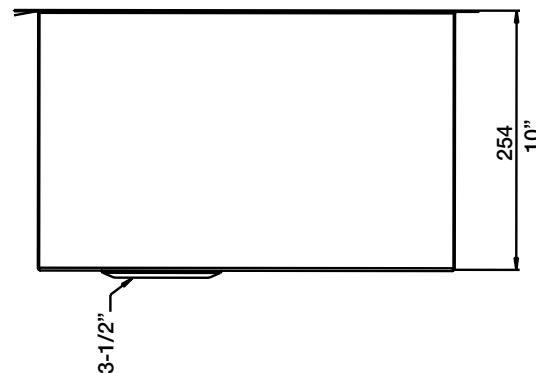
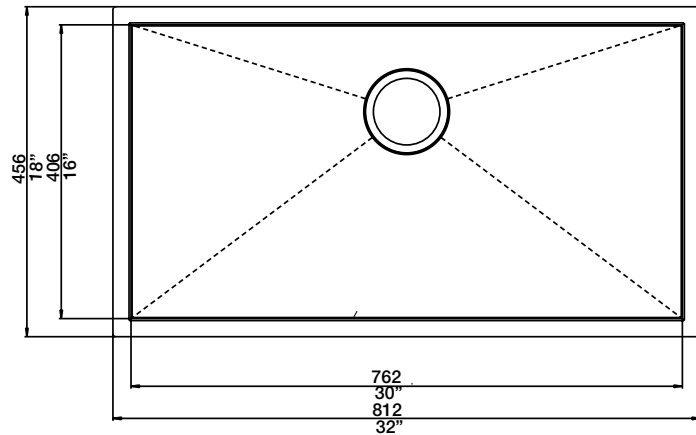


MODEL 515-820

**NOMINAL DIMENSIONS**

OVERALL	CUTOUT SIZE	BOWL DEPTH	DRAIN FITTING
32 x 18	Template provided with approximate 1/8" reveal	10	3-1/2

DXF cutout templates available on our web site.



BLANCO AMERICA  
 800.451.5782  
 www.blancoamerica.com

© 2008 BLANCO AMERICA  
 05/08 SPEC-003

## Free Manuals Download Website

<http://myh66.com>

<http://usermanuals.us>

<http://www.somanuals.com>

<http://www.4manuals.cc>

<http://www.manual-lib.com>

<http://www.404manual.com>

<http://www.luxmanual.com>

<http://aubethermostatmanual.com>

Golf course search by state

<http://golfingnear.com>

Email search by domain

<http://emailbydomain.com>

Auto manuals search

<http://auto.somanuals.com>

TV manuals search

<http://tv.somanuals.com>