

BLANCO

 Performance First

Microwave Oven

Operation Manual

& Installation Manual for Trim Kit

Model BMO280X



READ these instructions carefully before installing and operating the oven. Store them in a safe place for further reference. **IMPORTANT:** Retain your "Proof of Purchase". Read the warranty information on page 2 of this manual.

CONTENTS

Precautions to Avoid Possible Exposure to Excessive Microwave Energy	3
Specifications	3
Before You Call for Service	4
Installation.....	4
Earthing Instructions	4
Radio Interference.....	5
Important Safety Instructions	5
Microwave Cooking Principles.....	6
Microwave Safe Containers.....	6
Part Names	6
Control Panel	7
Operating Instructions	8
Setting the Clock	8
Microwave Power Cooking	9
Setting the Minute Timer	9
Automatic Defrosting.....	9
Automatic Weight Cooking	9
Quick Start Cooking	10
Child and Safety Lock.....	10
Grill	10
Combination 1	11
Combination 2	11
Cleaning and Care	11

PRECAUTIONS TO AVOID POSSIBLE EXPOSURE TO EXCESSIVE MICROWAVE ENERGY

- (a) Do not attempt to operate this oven with the door open. Open-door operation can result in harmful exposure to microwave energy. It is important not to break or tamper with the safety interlocks.
- (b) Do not place any object between the oven front face and the door or allow dirt/grime or residue from cleaning products to accumulate on sealing surfaces.
- (c) Do not operate the oven if it is damaged. It is particularly important that the oven door closes properly and that there is no damage to the:
 1. Door (bent)
 2. Hinges and latches (broken or loosened)
 3. Door seals and sealing surfaces.
- (d) The oven should not be repaired by anyone except by a MEA qualified Service Agent (refer to page 12).

SPECIFICATIONS

Power Consumption:	230-240V~50Hz, 1300W (Microwave), 230-240V 1000W (Heater)
Rated microwave power output:	900W
Operation Frequency:	2450MHz
Outside Dimensions:	305mm (H) × 525mm (W) × 455 mm (D)
Oven Cavity Dimensions:	219mm (H) × 350mm (W) × 355 mm (D)
Oven Capacity:	28Litres
Cooking Uniformity:	Turntable System (Ø314mm)
Net Weight:	Approx.19kg

*Specifications subject to change without notice.

BEFORE YOU CALL FOR SERVICE

If the oven fails to operate:

- a) Check to ensure that the microwave oven is plugged in securely. If it is not, switch off the power, remove the plug from the outlet, wait 10 seconds and plug it in again securely.
- b) Check for a blown circuit fuse or a tripped main circuit breaker. If these seem to be operating properly, test the outlet with another appliance.
- c) Check to ensure that the control panel is programmed correctly and the timer is set.
- d) Check to ensure that the door is securely closed engaging the door safety lock system. Otherwise, the microwave energy will not flow into the oven.

IF NONE OF THE ABOVE RECTIFY THE SITUATION, THEN CONTACT AN MEA QUALIFIED SERVICE AGENT (REFER TO PAGE 12). DO NOT TRY TO ADJUST OR REPAIR THE OVEN YOURSELF.

INSTALLATION

1. Make sure that all the packing materials are removed from the inside of the door.
2. **WARNING:** Check the oven for any damage, such as misaligned or bent door, damaged door seals and sealing surface, broken or loose door hinges and latches and dents inside the cavity or on the door. If there is any damage, do not operate the oven and contact an **MEA Qualified Service Agent (refer to page 12)**.
3. This microwave oven must be placed on a flat, stable surface to hold its weight and the heaviest food likely to be cooked in the oven.
4. Do not place the oven where heat, moisture or high humidity are generated, or near combustible materials.
5. For correct operation, the oven must have sufficient airflow. In an open freestanding situation, allow 20mm of space from any overhead obstruction and 10mm from a back wall and 5mm from any side walls. If more than one side of the appliance is closed in, then installation is as per a "built-in" installation requiring adequate venting. The specification requirements for "built-in" installations are detailed in the Blanco Specification Book, and require the purchase of a trim kit and vented cabinetry design.
6. Do not operate the oven without glass tray, roller support, and shaft in their proper positions.
7. Make sure that the power supply cord is undamaged and does not run under the oven or over any hot or sharp surface.
8. The power socket must be readily accessible so that it can be easily unplugged in an emergency.
9. Do not use the oven outdoors.

EARTHING INSTRUCTIONS

This appliance must be earthed. The microwave oven is equipped with a cord which has an earth wire and an earth plug. It must be plugged into a wall receptacle that is properly installed and earthed. In the event of an electrical short circuit, earthing reduces the risk of electric shock by providing an escape wire for the electric current. It is recommended that a separate circuit, serving only the oven, be provided. Using a high voltage is dangerous and may result in a fire or other accident causing damage to the oven.

WARNING: Improper use of the earthing plug can increase the risk of electric shock.

- Notes:**
1. If you have any questions about the earthing or electrical instructions, consult an **MEA Qualified Service Agent (refer to page 12)**.
 2. Neither the manufacturer nor the distributor can accept any liability for damage to the oven or personal injury resulting from failure to observe the electrical connection procedures.

THE WIRES IN THIS MAINS CABLE ARE COLOURED IN ACCORDANCE WITH THE FOLLOWING CODE:

Green and Yellow = EARTH
Blue = NEUTRAL
Brown = LIVE

RADIO INTERFERENCE

1. Operation of the microwave oven can cause interference with your radio, TV or similar electrical equipment.
2. When there is interference, it may be reduced or eliminated by taking the following measures:
 - a) Clean the door and sealing surface of the microwave oven.
 - b) Reposition the receiving antenna on the radio or television.
 - c) Relocate the microwave oven with respect to the receiver.
 - d) Move the microwave oven away from the receiver.
 - e) Plug the microwave oven into a different outlet so that microwave oven and receiver are on different branch circuits.

IMPORTANT SAFETY INSTRUCTIONS

When using this oven, basic safety precautions should be followed. Abiding by these will reduce the risk of burns, electric shock, fire, injury to persons and exposure to excessive microwave energy:

1. Read all instructions before using the appliance.
2. Use the appliance only for its intended use as described in this manual. Do not use corrosive chemicals or vapours in the appliance. This type of oven is specifically designed to heat, cook, defrost or dry food. It is not designed for industrial or laboratory use.
3. Do not operate the oven when empty.
4. Do not operate the appliance if it has a broken cord or plug, if it is not working properly or if it has been damaged or dropped. If the supply cord is broken, it must be replaced by MEA or one of their Service Agents in order to avoid a hazard.
5. **WARNING:** Only allow children to use the oven without supervision when adequate instructions have been given so that the child is able to use the oven in a safe way and understands the hazards of improper use.
6. To reduce the risk of fire in the oven cavity:
 - a. When heating food in a plastic or paper container, keep an eye on the oven due to the possibility of ignition.
 - b. Remove wire twist-ties from paper or plastic bags before placing bag in oven.
 - c. **If smoke is observed, switch off or unplug the appliance and keep the door closed in order to stifle any flames.**
 - d. Do not use the oven cavity for storage purposes. Do not leave paper products, cooking utensils or food in the oven cavity when not in use.
7. **WARNING:** Liquid or other food must not be heated in sealed containers since they are likely to explode.
8. Heating of beverages can result in delayed eruptive boiling, therefore please take care handling the container.
9. Do not fry food in the oven. Hot oil can damage oven parts and utensils and may result in skin burns.
10. Eggs in their shell and whole hard-boiled eggs should not be heated in the microwave oven since they may explode even after microwave heating has ended.
11. The appliance is not intended for use by young children or infirm persons unless they have been adequately supervised by a responsible person to ensure that they can use the appliance safely.
12. Young children should be supervised to ensure that they do not play with the appliance.
13. If the supply cord is damaged, it must be replaced by the manufacturer or its service agent or a similarly qualified person in order to avoid a hazard.
14. Pierce foods with heavy skins such as potatoes, whole squash, apples and chestnuts before cooking.
15. The contents of feeding bottles and baby jars should be stirred or shaken. The temperature should then be checked before serving in order to avoid burns.
16. Cooking containers may become hot due to the heat transferred from the hot food. Potholders may be needed to handle the container.
17. Containers should be checked to ensure that they are suitable for use in the microwave oven. **Container Test:** Place the empty container in the oven, microwave at high power for 60 seconds. A container which becomes very hot should not be used.
18. **WARNING:** It is hazardous for anyone other than an MEA Qualified Service Agent to carry out any service or repair operation involving the removal of any cover that gives protection against exposure to microwave energy.
19. **WARNING:** If the door or door seals are damaged, the oven must not be operated until it has been repaired by an MEA Qualified Service Agent.
20. The oven should be cleaned regularly and any food deposits removed. Failure to maintain the oven in a clean condition could lead to deterioration of the surface that could adversely affect the life of the appliance and possibly result in a hazardous situation.

MICROWAVE COOKING PRINCIPLES

1. Arrange food carefully. Place thickest areas towards outside of dish.
2. Watch cooking time. Cook for the minimum amount of time indicated and increase cooking time if necessary. Food which has been severely overcooked can smoke or ignite.
3. Cover foods while cooking to prevent spattering and to help foods cook evenly.
4. Turn foods over once during microwaving to speed up cooking. Large items such as roasts must be turned over at least once.
5. Rearrange foods such as meatballs halfway through cooking. Place those on the bottom of the dish at the top and those in the centre of the dish to the outside.

MICROWAVE SAFE CONTAINERS

1. The ideal material of a microwave container is transparent. This allows energy to pass through the container and to heat the food.
2. Microwave oven energy can not penetrate metal, so metal utensils or dishes with metallic trim should not be used.
3. Do not use recycled paper products eg. paper towels, when microwave cooking, as they may contain small metal fragments which may cause sparks and/or fires.
4. Round/oval dishes rather than square/oblong ones are recommend, as food in corners tends to overcook.
5. Narrow strips of aluminum foil may be used to prevent overcooking of exposed areas. Be careful not to use too much foil and keep a distance of 1 inch (2.54cm) between foil and cavity.

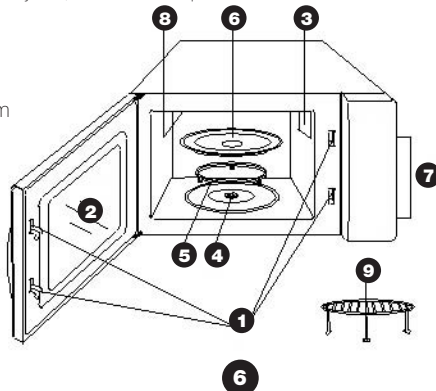
The list below is a general guide to help you select the correct microwave safe products.

COOKWARE	MICROWAVE COOKING	GRILL COOKING	COMBINATION COOKING
Heat-Resistant Glass	Yes	Yes	Yes
Non Heat-Resistant Glass	No	No	No
Heat-Resistant Ceramics	Yes	Yes	Yes
Microwave-Safe Plastic Dish	Yes	No	No
Kitchen Paper	Yes	No	No
Metal Tray	No	Yes	No
Metal Rack	No	Yes	No
Aluminum Foil & Foil Containers	No	Yes	No

NOTE: Containers made from Polyethylene, melamine and phenol become hot in the microwave and are therefore unsuitable.

PART NAMES

- 1 Door Safety Lock System
- 2 Oven Window
- 3 Oven Air Vent
- 4 Shaft
- 5 Roller Ring



- 6 Glass Tray
- 7 Control Panel
- 8 Grill Heater
- 9 Metal Rack

CONTROL PANEL



DISPLAY

Clock, cooking time, power and feature indicators are displayed.

POWER

Touch the button a number of times to set microwave cooking power level.

GRILL/COMBI

Press this button a number of times to access grill mode or one of two combination cooking settings.

CLOCK

Use to set the time of day (12-hr). The time of day will be displayed at all times except when the oven is operating. In the event of a power failure or if the oven is unplugged, the clock will have to be reset.

AUTO COOK

Press a number of times for quick settings to cook popular foods. You need to specify weight.

TIME/WEIGHT DIAL

Turn the TIME dial clockwise to set the oven clock time or input cooking time. Turn the WEIGHT dial to specify weight.

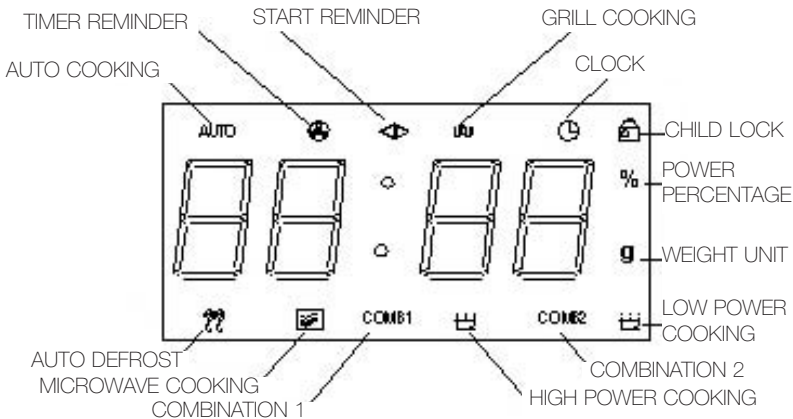
START/QUICK START

Use to START various cooking programs or press a number of times to QUICK START the oven at 100% power for 0.30 secs to 10.00 mins.

STOP/CANCEL

Use to STOP or CANCEL any of the available microwave oven functions or to set the child and safety lock.

FEATURES



SPECIAL FEATURES

AUTOMATIC WEIGHT COOKING

Use to cook 9 types of food by selecting from the Automatic Cooking menu. Then simply enter the weight of the food and touch the START pad.

GRILL/COMBINATION COOKING

Use to cook food by combining grill cooking with microwave cooking. Or, use the grill function on its own.

AUTO REMINDER

After a cooking or defrosting program has completed, the oven will automatically continue to sound beeps every 2 minutes until the oven door is opened or the STOP/CANCEL button is pressed.

CHILD LOCK

Use to prevent unsupervised operation of the oven by small children. The CHILD LOCK indicator light will be lit on the display and the oven can not be operated while the CHILD LOCK is set.

OPERATING INSTRUCTIONS

Each time a pad is pressed, a beep will sound to verify the press.

SETTING THE CLOCK

When the oven is plugged in and switched on, the display shows "1:01". This is a 12 hour clock.

To check the time of day while the oven is operating, press the CLOCK button, then the time will be displayed for 5 seconds on the display.

FOR EXAMPLE: Suppose you want to set the correct time of day 8:30 (A.M. or P.M.).

1. Press STOP/CANCEL button.
2. Press CLOCK button.
3. Turn TIME dial clockwise until the number 8 appears.
4. Press CLOCK button.
5. Turn TIME dial clockwise until the number 30 appears.
6. Press CLOCK button. Clock displays the time 8:30.

MICROWAVE POWER COOKING

The longest cooking time is 60 minutes. Select power level by pressing the Power button.

PRESS POWER BUTTON	DISPLAY	POWER OUTPUT
Once	100	100%
Twice	80	80%
3 times	60	60%
4 times	40	40%
5 times	20	20%
6 times	0	0 (TIMER)

FOR EXAMPLE: Suppose you want to cook for 1 minute at 60%.

1. Press STOP/CANCEL button.
2. Press POWER button three times.
3. Turn TIME dial clockwise until 1:00 is displayed
4. Press START button.

SETTING THE MINUTE TIMER

FOR EXAMPLE: Suppose you want to set timer for 3 minutes.

1. Press POWER pad 6 times.
2. Turn TIME dial clockwise until 3:00 is displayed.
3. Press START pad.

AUTOMATIC DEFROSTING

The oven could be used to defrost meat, poultry and seafood. The defrosting time and power level are automatically set once the food category and the weight are programmed. The frozen food weight ranges from 100g to 2700g.

FOR EXAMPLE: Suppose you want to defrost 600g of seafood.

1. Press STOP/CANCEL button.
2. Turn the WEIGHT dial clockwise until the weight indicates 600g.
3. Press START button.

AUTOMATIC WEIGHT COOKING

It is not necessary to input the cooking time and the power for certain foods. With Automatic Weight Cooking, it is sufficient to simply indicate the type of food that you wish to cook as well as the weight of this food.

In order to do this, press the AUTO COOK button a number of times to select a category of food (1-9). Then turn the WEIGHT dial clockwise to indicate the weight of food to be cooked. The oven begins cooking once the START/QUICK START button is pressed.

FOR EXAMPLE: Input the automatic cooking program for 400g of fish.

1. Press STOP/CANCEL button.
2. Press the AUTO COOK button (1-9) 6 times (fish menu).
3. Turn the WEIGHT dial clockwise until the weight indicates 400g.
4. Press START button.

AUTOMATIC COOKING MENU	TURN WEIGHT DIAL								
	ONCE	TWICE	3 TIMES	4 TIMES	5 TIMES	6 TIMES	7 TIMES	8 TIMES	9 TIMES
1. Coffee/Soup	1 cup	1 cup	2 cup						
2. Rice	100g	200g	400g	600g	800g	1000g			
3. Spaghetti	100g	200g	300g						
4. Potatoes	150g	300g	450g	600g					
5. Automatic Reheating	100g	200g	300g	400g	500g	600g	700g	800g	1000g
6. Fish	100g	200g	400g	600g	800g	1000g			
7. Chicken	800g	1000g	1200g	1300g	1400g				
8. Beef/mutton	300g	500g	800g	1000g	1200g	1300g			
9. Skewered meat	100g	200g	300g	400g	500g	600g	700g		

The result of AUTO COOK depends on factors such as the shape and size of the food, your personal preference as to how well cooked it should be and even how well you happen to place the food in the oven. If you use the table above as a guide and find the results unsatisfactory, simply adjust the cooking time accordingly.

QUICK START COOKING

The microwave oven will operate at HIGH power (100% power output) for the QUICK START cooking program. With each press of the QUICK START button you can program the oven for:

TIME 0:30 1:00 1:30 2:00 3:00 4:00 5:00 6:00 7:00 8:00 9:00 10:00

PRESS TIMES 1 2 3 4 5 6 7 8 9 10 11 12

FOR EXAMPLE: Set the oven to cook for 2 minutes at 100% by using the feature.

1. Press STOP/CANCEL button.
2. Press QUICK START button 4 times.

CHILD AND SAFETY LOCK

To set the CHILD LOCK. Press and hold the STOP/CANCEL button for 4 seconds, or until a beep sounds and the LOCK indicator light appears on the display.

To release the CHILD LOCK. Press and hold the STOP/CANCEL button for 4 seconds, or until a beep sounds and the LOCK indicator light disappears from the display.

GRILL

Allows you to set up to 60 minutes however this length of time is not recommended for grill cooking. The grill cooking is particularly useful for thin slices of meat, steaks, chops, kebabs, sausages or pieces of chicken. It is also suitable for hot sandwiches or au gratin dishes.

FOR EXAMPLE: Suppose you want to grill for 12 minutes.

1. Place food on metal grill rack.
2. Press STOP/CANCEL button.
3. Press GRILL/COMB button.
4. Turn the TIME dial clockwise to 12:00.
5. Press START button.

WARNING: Take care when removing the metal grill rack from the oven as it may be hot.

COMBINATION 1

The longest cooking time is 60 minutes. 30% time for microwave cooking, 70% for grill cooking. Use for fish, potatoes or au gratin.

FOR EXAMPLE: Suppose you want to set combination 1 cooking for 25 minutes.

1. Press STOP/CANCEL button.
2. Press GRILL/COMB button twice. COMB1 indicator light will appear on the display.
3. Turn TIME dial clockwise to 25:00.
4. Press START button.

COMBINATION 2

The longest cooking time is 60 minutes. 55% time for microwave cooking, 45% for grill cooking. Use for puddings, omelettes, baked potatoes and poultry.

FOR EXAMPLE: Suppose you want to set combination 2 cooking for 12 minutes.

1. Press STOP/CANCEL button.
2. Press GRILL/COMB button three times. COMB2 indicator light will appear on the display.
3. Turn TIME dial clockwise to 12:00.
4. Press START button.

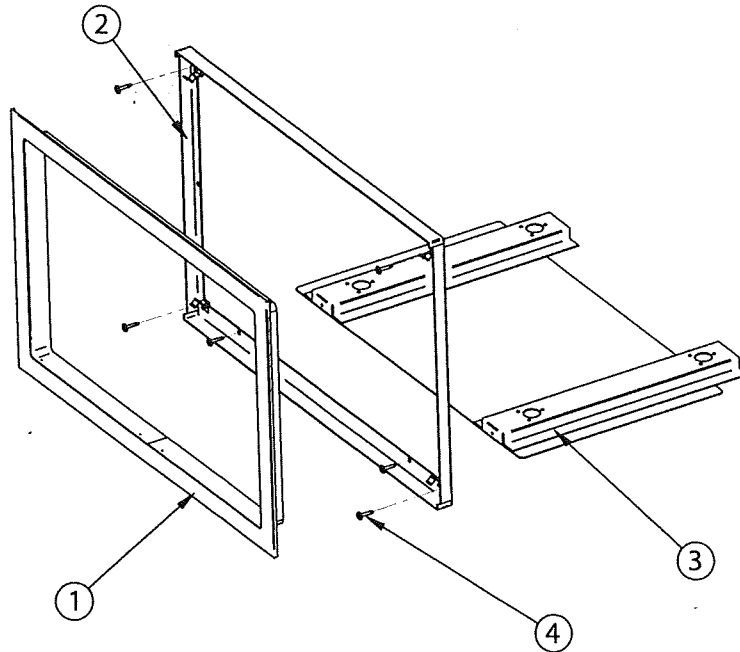
CLEANING AND CARE

1. Turn off the oven and remove the power plug from the wall socket before cleaning.
2. Keep the inside of the oven clean. When food splatters or spilled liquids adhere to oven walls, wipe with a damp cloth. Mild detergent may be used if the oven gets very dirty. Avoid the use of spray and other harsh cleaners as they may stain, streak or dull the door surface.
3. The outside surfaces should be cleaned with a damp cloth. To prevent damage to the operating parts inside the oven, water should not be allowed to seep into the ventilation openings.
4. Wipe the door and window on both sides, the door seals and adjacent parts frequently with a damp cloth to remove any spills or splatters. Do not use abrasive cleaner.
5. Do not allow the control panel to become wet. Clean with a soft, damp cloth. When cleaning the control panel, leave oven door open to prevent oven from accidentally turning on.
6. If steam accumulates inside or around the outside of the oven door, wipe with a soft cloth. This may occur when the microwave oven is operating in high humidity conditions. This is normal.
7. It is occasionally necessary to remove the glass tray for cleaning. Wash the tray in warm soapy water or in the dishwasher.
8. The roller ring and oven floor should be cleaned regularly to avoid excessive noise. Simply wipe the bottom surface of the oven with mild detergent. The roller ring may be washed in mild soapy water or in the dishwasher. When removing the roller ring from cavity floor for cleaning, be sure to replace in the proper position.
9. Remove odours from your oven by combining a cup of water with the juice and skin of one lemon in a deep microwaveable bowl. Microwave for 5 minutes. Wipe thoroughly and dry with a soft cloth.
10. When it becomes necessary to replace the oven light, please consult an MEA Qualified Service Agent to have it replaced.
11. Take care when leaving the oven door open. Ensure it is not subjected to strain of any kind eg. children hanging from the handle or door frame.

BLANCO MICROWAVE TRIM KIT

MODEL NO. BMTK2830FX

PART IDENTIFICATION SHEET



1. FASCIA ASSEMBLY
2. MOUNTING FRAME ASSEMBLY
3. BASE ASSEMBLY
4. 6 off 6 GAUGE SCREWS

CAUTION

Read and follow all of the instructions completely.

- 1 The Blanco Built-in Trim Kit must be installed in accordance with the full set of instructions listed and meet the regulations laid down by electrical authorities, building regulations and the requirements of state and local government authorities.
- 2 The microwave oven must be unplugged before installation of the Blanco Built-in Kit.
- 3 For safe use of the microwave oven, DO NOT modify or alter any part of this kit.
- 4 The kitchen cabinetry that houses the microwave oven must be constructed to allow the microwave oven to operate to Australian Standards 3350.1-2002, 60335.1, 3350.2.25-2001 and 60335.2.25.

CLEANING TIPS

Use a domestic stainless steel cleaner, applied to a soft cloth. Wipe in the stainless steel grain direction. DO NOT use abrasive, harsh cleaners or scouring pads.

TRIM KIT SPECIFICATIONS

Overall Kit Dimensions;

Width	596mm
Height	380mm
Depth	22mm (Fascia)

Cavity Dimensions

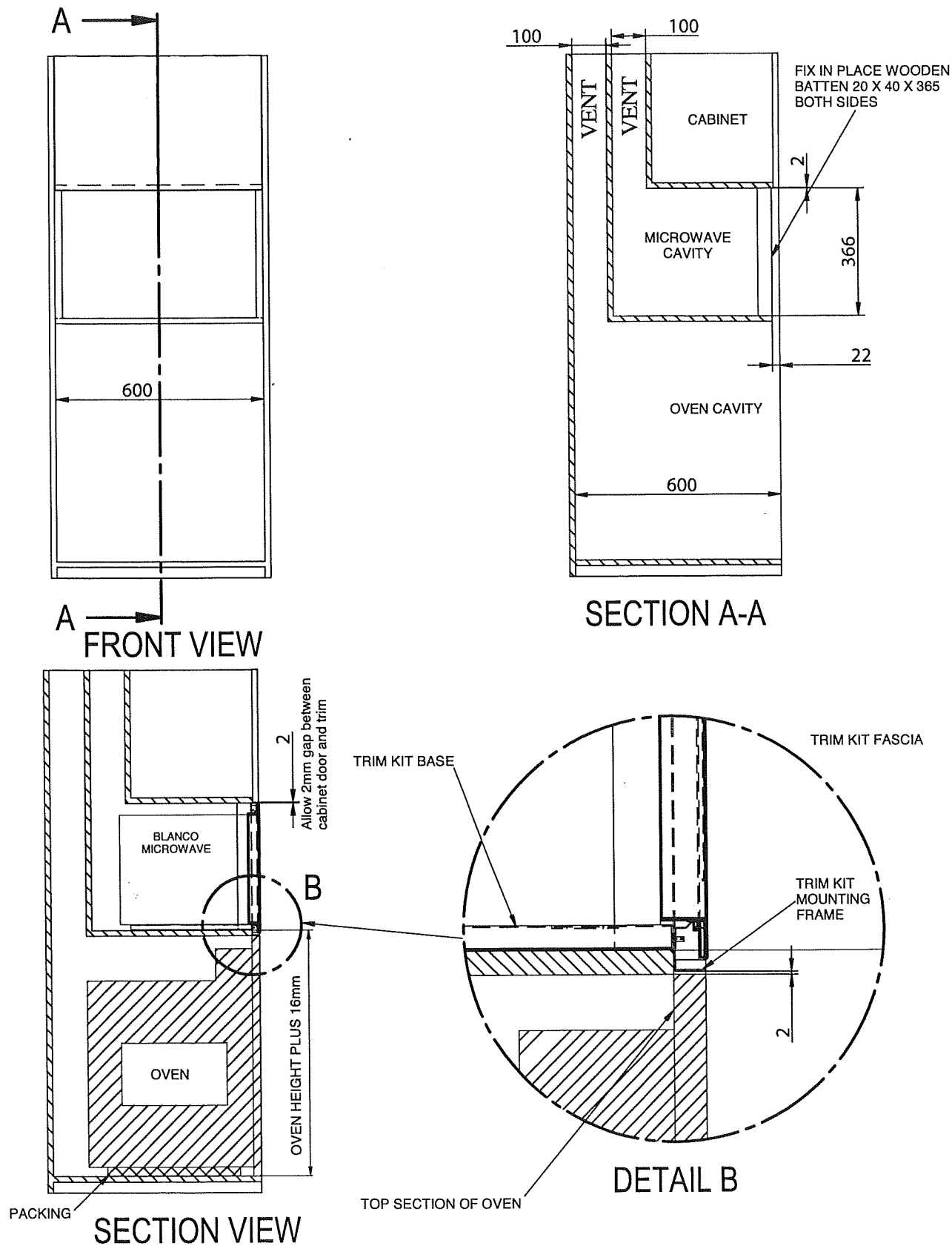
Internal Width	600mm
External Front Height	381mm
Depth	500mm(MIN.)

Cabinetry Ventilation

An opening on the upper cavity panel must be cut for air circulation. This opening should be placed at the rear— minimum 600mm x 100mm.

BLANCO MICROWAVE TRIM KIT

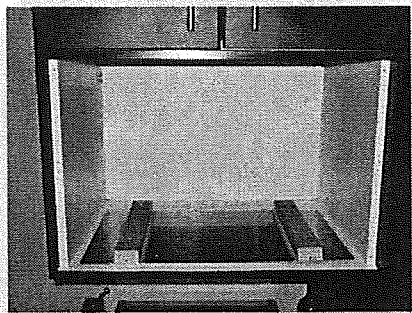
MODEL NO. BMTK2830FX CABINET SPECIFICATIONS



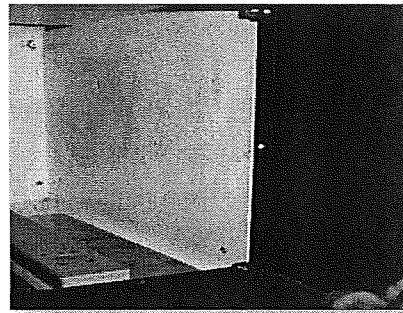
Warning: The information in this manual is indicative only. Technical specifications and product sizes can be varied by the manufacturer without notice. Always use physical measurements.

BLANCO

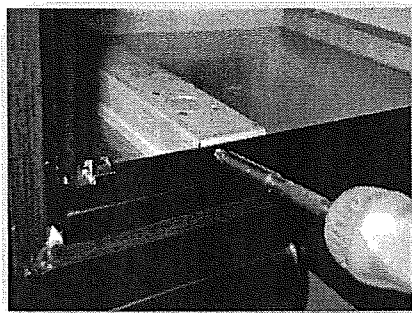
Microwave Trim Kit Installation Procedure



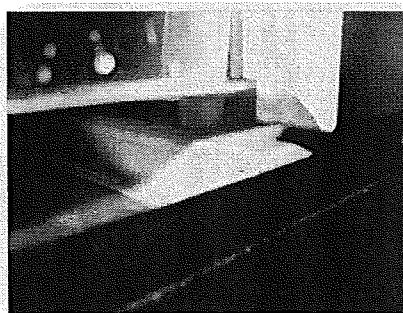
1. Place the Base Assembly into the kitchen microwave oven cavity.



2. Insert the Mounting Frame into position and screw into place using the four 6g screws provided. There are four screw holes in each corner of the frame, located next to the clips.



3. Align the Base Assembly and the Mounting Frame and screw together using the two 6g screws provided.



4. Plug the microwave oven into an approved 240 volt, 10 amp powerpoint. DO NOT turn on until after the installation is complete. Carefully insert the microwave oven onto the Base Assembly. Ensure the microwave oven feet locate within the base assembly feet locators.



5. Remove plastic protective coating from Stainless Steel fascia. Align and sit the stainless steel fascia onto the bottom left and right mounting frame clip, one at a time.



6. Apply pressure to the top right and left corner of the stainless steel fascia until it clips into place securely. Clean with a mild stainless steel cleaner. (See care and cleaning).

Note: The Base Assembly is adjustable. If the microwave oven is not sitting flush with the trim fascia, there are two screws located on the bottom side of the base at the rear for adjustment purposes.

WARRANTY

Kitchen Fascia/ Base Kit– BMTK2830FX

This product is covered by a warranty in addition to all rights which are available to you under statute in respect of this kit. The warranty is for a period of 12 months from the date of purchase.

The warranty covers rectification free of charge of any fault by defective materials or workmanship, provided that the trim is returned to Blanco. Blanco reserves the right to repair or replace components of the trim kit.

The warranty is subject to the following conditions;

1. The warranty is void if the products are dismantled, repaired, altered or serviced by any third party without the consent of Blanco.
2. The warranty is void if parts not manufactured or sold by Blanco are used in any replacement or repair.
3. The product must be used with due care and for the proper purpose for which it is sold and in accordance with the specified instructions for use.
4. The warranty does not extend to:
 - (a) where surface coating, stainless steel and enamel damage, to the product occurs.
 - (b) damage caused by liquid or solid spill-overs, lack of maintenance, or impact.
 - (c) damage to surface cause by cleaning or maintenance using products not recommended by Blanco.
 - (d) the replacement of parts when such replacements are part of a nominal maintenance, service or normal wear and tear.
 - (e) damage caused by improper installation.
 - (f) the microwave oven and kitchen cabinetry.
 - (g) if the product suffers damage caused by continued use of the products after it is known to be defective.

If the product is found to be in working order, you will be required to bear all service charges.

Nothing herein shall be construed in any way as excluding or limiting your rights under the Trade Practices Act 1974 or corresponding state legislation.

Free Manuals Download Website

<http://myh66.com>

<http://usermanuals.us>

<http://www.somanuals.com>

<http://www.4manuals.cc>

<http://www.manual-lib.com>

<http://www.404manual.com>

<http://www.luxmanual.com>

<http://aubethermostatmanual.com>

Golf course search by state

<http://golfingnear.com>

Email search by domain

<http://emailbydomain.com>

Auto manuals search

<http://auto.somanuals.com>

TV manuals search

<http://tv.somanuals.com>