

user's manual

BLITZ AUDIO



BZE-10A

**Half-DIN 10 Band Slide Control
Pre-Amp Equalizer
with Subwoofer Boost Control**



INTRODUCTION...

Thank you for purchasing the Blitz Graphic Equalizer. Rest assured you have purchased a quality product designed and engineered to give YOU many years un-compromised musical service. The Blitz Graphic Equalizer has been designed using the latest in electronic technology available today.

When you check the list of features offered by the BZE-10A, you'll know you made the right choice with a Blitz Graphic Equalizer network.



table of contents

general features	<i>2</i>
precautions	<i>3</i>
features and specifications	<i>4-5</i>
mounting and installation	<i>6</i>
system wiring	<i>7-8</i>
troubleshooting	<i>9</i>

general features

- *10 Band Graphic Equalizer*
- *Rotary Subwoofer Boost Control*
with Active Electronic Adjustable Crossover
- *Rotary Fader Control*
- *Full Night Illumination*
- *Compact 1/2 DIN Chassis Size*
- *Front Panel DVD Input Jack*
- *2 RCA Input Jacks*
- *6 RCA Signal Output Jacks (2 Front/2 Rear/ 2 Subwoofer)*
- *Electronic Crossover Adjustable to 80, 120 or 160Hz @12dB*
- *Frequency Response: 20Hz–20kHz*



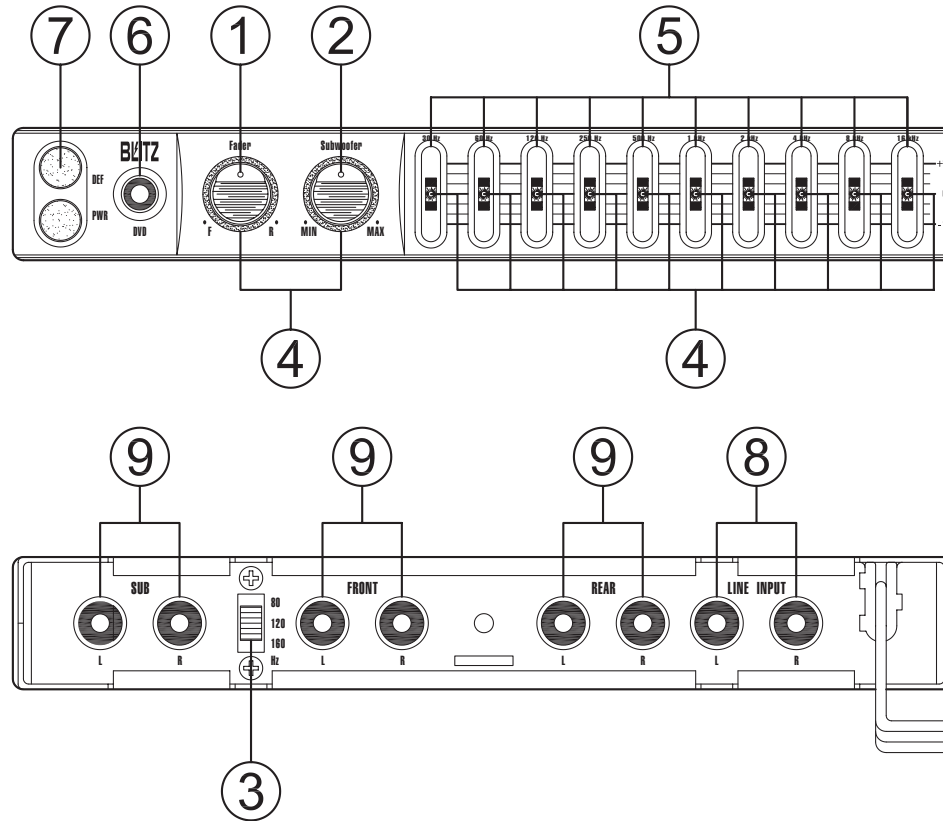


Precautions

Never drive with the volume raised so high you cannot hear what is occurring in traffic around you, Be aware that repeated exposure to excessive volume levels can permanently damage your hearing! Keep all electronics away from moisture, dust, extreme heat or extreme vibrations. Blitz Audio products are capable of sound pressure levels in excess of 150dB. Continuous exposure to sound pressure levels over 100 dB may cause permanent loss of hearing. Use common sense and PRACTICE SAFE SOUND.



features and specifications



features and specifications

1 fader control

Rotary mechanism to control the balance between the front and rear speakers. This fader will override the fader in your car stereo.

2 subwoofer output control

Rotary mechanism to control the amount of subwoofer gain at the predetermined crossover point. The subwoofer can be adjusted from minimum to maximum by turning the knob.

3 subwoofer active electronic crossover

The three position switch on the rear of the unit adjusts the crossover point for your subwoofer system. The BZE10A features separate dual RCA outputs for the subwoofer channel so that the subwoofers can run on a separate amplifier or separate channels of a multi-channel amplifier. The crossover switch is adjustable to either 80, 120 or 160 Hz. Depending on your subwoofer frequency response adjust this switch to the proper setting.

4 night illumination

The BZE10A features full night illumination in blue color. The illumination comes on when the power is applied to the unit. The illumination is present around the fader and subwoofer knobs. Each band control also features an LED in the center for illumination.

5 frequency band control

The BZE10A has 10 bands of frequency control attenuated by individual slides. The BZE10A is a full octave equalizer. The bandwidth controls are 30Hz, 60Hz, 120Hz, 250Hz, 500Hz, 1KHz, 2KHz, 4KHz, 8KHz, and 16KHz. The center detent position represents 0dB boost. By sliding the fader up or down you can either increase (up) or decrease (down) the amount of boost by 10dB. Your personal preference is the general rule to set the equalizer band controls. The BZE10A will allow you to tailor the sound to your particular listening pleasure and will help compensate for unwanted peaks and dips found in car music systems.

6 DVD input jack (3.5mm)

Connect your portable DVD player to the DVD input jack on the front panel by a stereo path cord with a stereo mini plug at both ends. Turn on your DVD player and then turn on the equalizer.

7 equalizer control

When depressing the DEF switch to the on position, the equalizer controls are defeated and are not being deployed. Amplifier operation at this point is essentially flat. When releasing this switch to the off position the equalizer controls are once again employed and the amplified signal is set to the equalizer frequency band settings.

8 rear panel input controls

The BZE10A accepts the Low Level High Impedance RCA inputs. If your radio has RCA jack outputs use these to input the signal into the BZE10A RCA inputs. By doing this you will be bypassing the fader control of your head unit and the fader operation will be controlled by the BZE10A. This will also allow you to use the speaker outputs of your radio to power your front speaker if you so choose, eliminating the need for a separate amplifier for your front speakers. (This is really only recommended if your head unit is a high power model otherwise you will lose the front staging effect because the rear speakers attached to your amplifier will outplay your front speakers being driven by the head unit. You will also not have any equalizer effect on the front speakers playing through the head unit.)

rear panel output controls

There are six RCA outputs jacks. The six RCA output jacks are divided into three segments. The first segment controls the front output of the amplifier, the second segment controls the rear output of the amplifier. The third segment controls the subwoofer amplification. You do not have to use all six outputs for the BZE10A to operate you can choose any one pair of segment. What the BZE10A does is to divide your input signal into six output channels. You can thus configure your amplification system into 3 separate 2-channel amplifiers or one four-channel amplifier for the front and rear segment and a separate subwoofer amplifier for the subwoofer output. Or you can choose three separate two-channel amplifiers. This is the beauty of the BZE10A. It affords you the choice of an almost innumerable amount of amplifier configurations.

Source voltage 14.4 VDC

Load impedance 10K Ohm

Reference voltage 400mV

Input impedance 10K Ohm

Control frequencies 30Hz / 60Hz / 120Hz/

250Hz / 500Hz / 1KHz/

2KHz / 4KHz / 8KHz / 16KHz

Subwoofer frequency 80/120/160 Hz

crossover points

Filter roll off 12dB per octave 2nd

order butter worth

Control range 10dB boost/cut

Frequency response 20Hz-20KHz

Signal to noise ratio 90dB (A -Wtd)

Input sensitivity for 200mV output 400mV

Power requirement 11-16 volts negative ground

Dimensions (WDH) 178 x 145 x 25mm



Mounting and installation

The BZE10A is a Half DIN sized unit. It can be mounted in the dashboard with your head unit in most cases. Use of an auxiliary installation kit is needed like those made by American international or Scoche products.

The BZE10A is also supplied with mounting brackets giving you the option to mount the equalizer under your dash, or on the console or in your glove compartment.

There are three power wires coming out of the back of the unit. The Red wire with the inline fuse is for 12 volts DC into the unit. This wire should be hooked up to an accessory line which turns on only when the car is running or the key of the car is in the accessory position. The black wire is the ground wire. Attach this wire to either the same ground of your head unit or to a clean chassis point located in the dashboard or on the fire wall. The shorter the ground wire connection the better chance of not having any interference or noise problems. The orange wire the remote start for your amplifier. This wire should be attached to the remote turn on circuit of your amplifiers or crossover. This way when the BZE10A is turned on it will automatically power on your amplifier system.

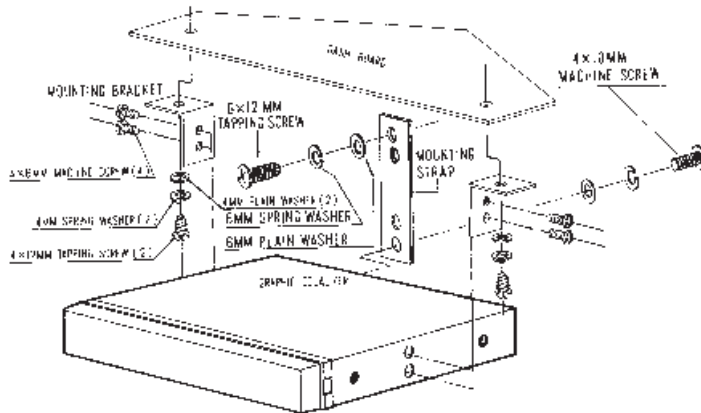


Diagram A for RCA input configuration

If your radio does not have RCA output jacks as in the case of most standard OEM radios you can use the speaker outputs from those head units to power the BZE10A by interfacing them with a high/low level impedance adaptor like the Pyramid Model NS60 or any of the other numerous models available. Be sure to use the correct adaptor so that if you have a a high power radio it will be able to reduce the level low enough not to cause any noise problems in the installation.

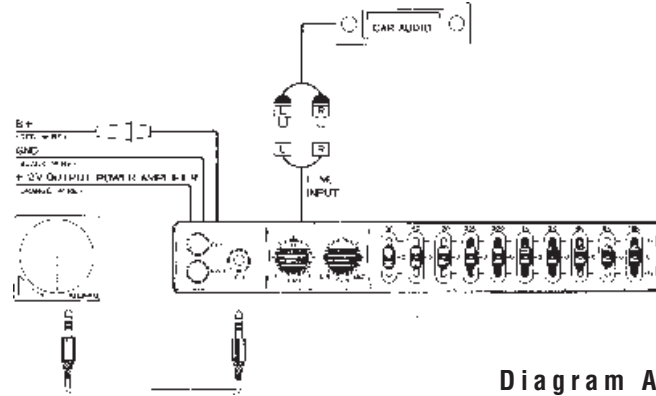


Diagram A

Diagram B for speaker level input configuration

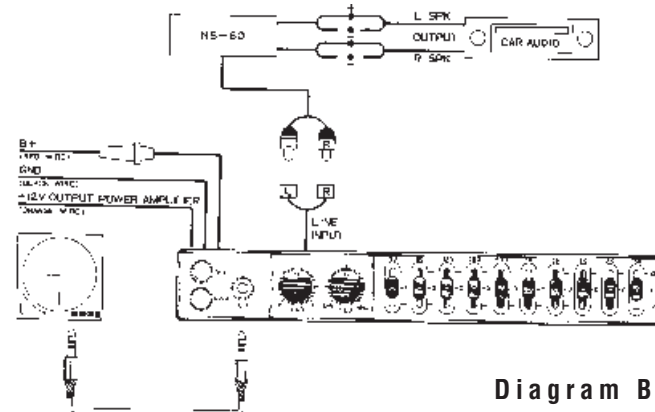


Diagram B

System wiring

Diagram C for sample amplifier installations

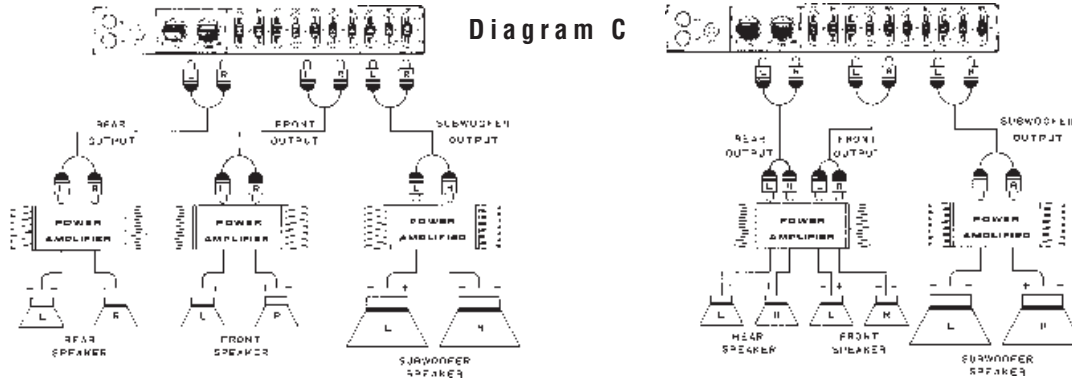
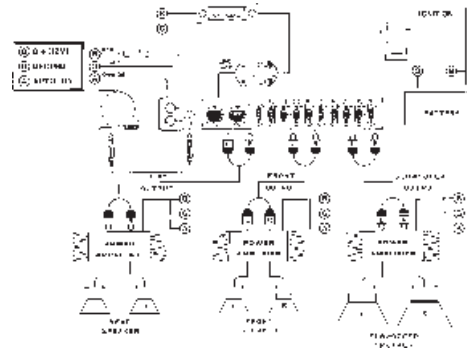


Diagram D for wiring directions



Troubleshooting

PROBLEM	POSSIBLE CAUSE
Signal processor does not turn on.	<ul style="list-style-type: none">• Remote turn-on wire has 12V.• 12V wire has 12V• Ground wire is properly connected
Level of sound is low.	<ul style="list-style-type: none">• Wiring is not loose or cables misconnected/disconnected• RCA cables are not faulty.
Background noise is too high.	<ul style="list-style-type: none">• Wiring is not loose or cables misconnected/disconnected• RCA cables are not faulty.



l i m i t e d w a r r a n t y p o l i c y

E q u a l i z e r

All Blitz products are carefully constructed and thoroughly tested before shipment. Products purchased in the USA are warranted to be free of defects in material and workmanship for two (2) years from the date of purchase. This warranty is limited to the original retail purchase.

Should the product fail due to factory defects in material or workmanship, your unit will be repaired or replaced at the sole discretion of Blitz.

To obtain warranty service you must first call our Consumer Return Hotline number at (718) 236-6948 to obtain a Return Authorization number. This R.A.# must appear on the outside of your package and on all paperwork relating to your return.

When returning a product to us for warranty service it must be carefully packed and shipped prepaid to:

R.A.#
Blitz Service Center
1600 63rd Street
Brooklyn, NY 11204

You must also include the following items:

- A copy of your sales receipt or other proof of purchase
- A brief letter indicating the problem you are experiencing
- include in your letter your return address, daytime phone number, and R.A. number
- also include a check or money order for \$15.00 for return shipping, handling, and insurance, or provide your Visa/MC number with expiration date.

Our obligation under this warranty is limited to the repair or replacement of the defective unit when it is returned to us prepaid. This warranty will be considered void if the unit was tampered with, improperly serviced, or subject to misuse, neglect, or accidental damage.

www.blitzaudio.com

Free Manuals Download Website

<http://myh66.com>

<http://usermanuals.us>

<http://www.somanuals.com>

<http://www.4manuals.cc>

<http://www.manual-lib.com>

<http://www.404manual.com>

<http://www.luxmanual.com>

<http://aubethermostatmanual.com>

Golf course search by state

<http://golfingnear.com>

Email search by domain

<http://emailbydomain.com>

Auto manuals search

<http://auto.somanuals.com>

TV manuals search

<http://tv.somanuals.com>