

# BLODGETT COMBI®

## BC-14G AND BC-142G

Single or Double  
Combination-Oven/Steamer



### OPTIONS AND ACCESSORIES

(AT ADDITIONAL CHARGE)

- **Legs**
  - 4" (101.6mm) adjustable legs
  - 6" (152.4mm) adjustable legs
  - 6" (152.4mm) seismic legs
  - 25" (635mm) adjustable legs
- Floor stand with rack supports
- Stand Mount Casters
- Semi-Automatic Deliming pump that installs directly to the back of the unit with delivery hose and delimiting container
- Programmable digital controls with cook and hold and Vario Steam®
- Locking control panel
- Locking door hasp
- Tamper proof screws
- Additional stainless steel wire shelves
- Core temperature probe with digital readout
- Stainless steel back panel
- Chicken roasting rack
- Hot water/filtered water connection kit
- Extended warranty

### OPTIONS AND ACCESSORIES

(AT NO CHARGE)

- LP gas
- 208/240 volt

Project \_\_\_\_\_

Item No. \_\_\_\_\_

Quantity \_\_\_\_\_

All data is shown per oven section, unless otherwise indicated.  
Refer to operator manual specification chart for listed model names.

### EXTERIOR CONSTRUCTION

- Stainless steel top, front, sides and right hand door hinge
- Single pane tempered viewing window
- Door mounted condensate trough
- Well protected control panel
- Side mount, easily adjustable door hinges
- Roll out control panel exposes most serviceable parts
- Modular controls allow for field upgrade to digital controls

### INTERIOR CONSTRUCTION

- Fully welded stainless steel frame
- Fully insulated cooking chamber
- Fixed drain bottom center of cavity
- Filterless grease slinging convection fan
- Easily removable stainless steel side rails

### OPERATION

- Standard control with four function selection switch for steam, hot air, combined steam/hot air, cool down, Vario Steam® and steam on demand feature
- Solid state rotary dial thermostat - range 150-500°F (66-260°C)
- Motor driven 120 minute timer shuts down at elapsed time
- Two speed fan
- Magnetic door interlock switch shuts off oven when door is opened
- Electronic ignition
- Open vented system. Condenses steam and drains away by-products of the cooking process, eliminates flavor transfer
- Self contained, self-flushing steam generator separate from cooking compartment for instant steam recovery when switching modes
- Delimiting light flashes when steam generator requires delimiting
- Delimiting container with manual pump for storing and dispensing delimiting solution. (See automatic delimiting option)

### CAPACITY

- Fourteen 12" x 20" x 2-1/2" deep pans at 3-1/4" spacing
- Seven 18" x 26" deep pans at 3-1/4" spacing

### STANDARD FEATURES

- Five (5) stainless steel wire shelves per section (capacity for 7)
- Delimiting bottle and pump assembly
- Pressure spray bottle for oven cleaning
- Hose and spray assembly for interior cleaning
- Stacking kit and casters for double stack ovens
- Two speed fan
- Water pressure regulator (1 per section)
- Drain kit assembly
- Start-up inspection service by factory authorized service agent
- One year parts and labor oven warranty\*

\* For all international markets, contact your local distributor.



**BLODGETT COMBI**

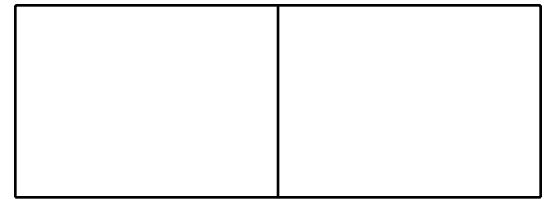
www.blodgett.com

44 Lakeside Avenue, Burlington, VT 05401

Toll Free: (800) 331-5842 • Phone: (802) 860-3700 • Fax: (802) 864-0183

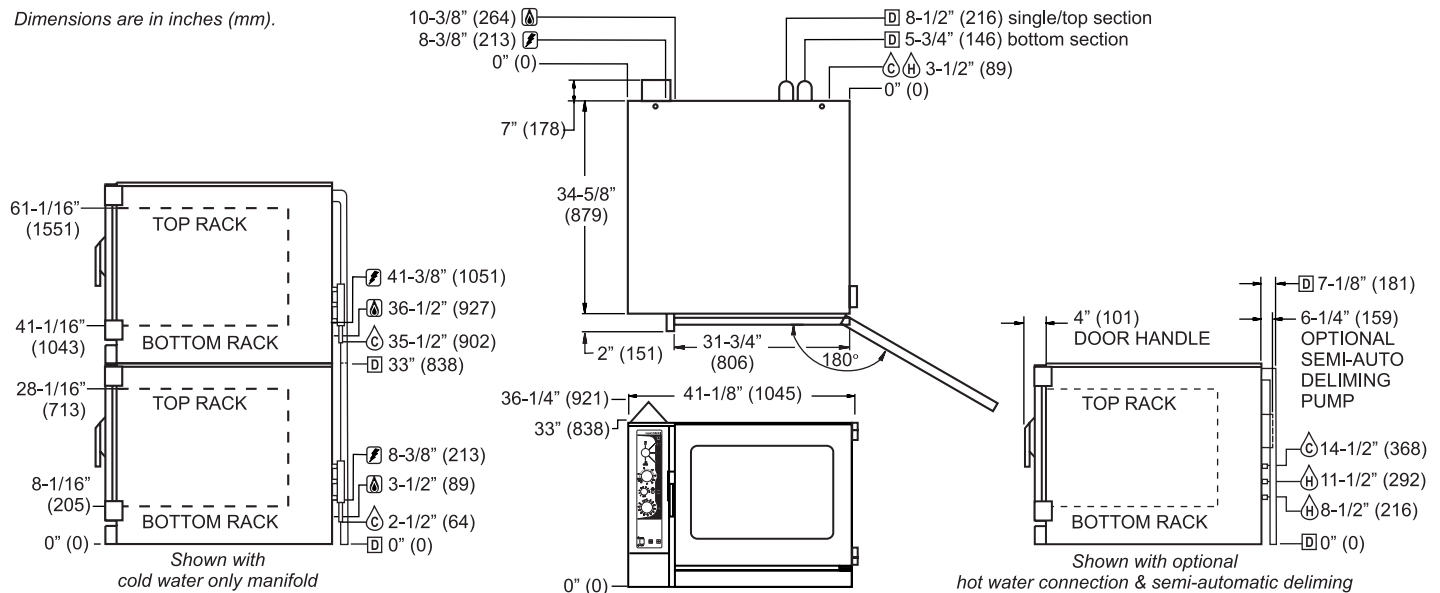
BC-14G AND BC-142G

## BC-14G AND BC-142G



APPROVAL/STAMP

Dimensions are in inches (mm).



**SHORT FORM SPECIFICATIONS:** Provide Blodgett Combi model BC-14G single or double, gas combination-oven/steamer. Unit shall have the ability to cook with pressureless steam, hot air, or combination of steam and hot air. Mechanical mode switch shall allow the operator to choose four modes, steam, hot air, combi or cool down mode. Timer to be 120 minute motor driven. Temperature control to be solid state with rotary knob. Unit shall include two speed fan, steam on demand feature, deliming indicator light and Vario Steam® feature. The interior shall have the capability of being hosed down for cleaning. Door gaskets shall be easily removable for replacement and cleaning. Unit shall be open vented for wairst air quenching. Steam generator shall be separate from the cooking compartment in order to provide the fastest possible steam recovery. Steam generator shall flush automatically to cut down on mineral build up. A start-up inspection service will be performed by our factory authorized agent at no cost to the operator.

### DIMENSIONS:

- Floor space:** 34-5/8" D x 40-1/8" (879.4 x 1019mm)  
**Unit Height:** 33" (838mm) per section  
**Additional Height:**  
 4" adjustable legs 4-7/8" - 6" (123.8-152.4mm)  
 6" adjustable legs 6-7/8" - 8" (174.6-203.2mm)  
 6" adjustable seismic legs 6-5/8" - 8" (168.3-203.2mm)  
 25" adjustable legs 25-1/4" - 26-3/8" (641.4-670mm)  
 Low profile caster 4" (101.6mm)  
 Stand w/rack supports 22-1/2" - 23-5/8" (571.5-600.1mm)  
 Stand w/rack supports on casters 22-5/8" (574.7mm)

### OVEN CLEARANCES:

- Right Side 1" (26mm)  
 Rear 6" (152.4mm)  
 Left Side (with casters) 6" (152.4mm)  
 Left Side (without casters) 12" (304.9mm)

### MINIMUM ENTRY CLEARANCE:

- Uncrated 36-1/4" (921mm)  
 Crated 42" (1066.8mm)

### POWER SUPPLY (per section):

- Standard 120VAC 15 amp Nema 5-15 receptacle  
 Option 208/240VAC 15 amp Nema 6-15 receptacle  
 Export Export voltages available on request

### GAS SUPPLY (per section):

- 3/4" NPT  
**Inlet Pressure:**  
 Natural 7.0" W.C. static to unit  
 Propane 14.0" W.C. static to unit  
**Maximum Input:**  
 Hot Air 65,000 BTU/hr  
 Boiler 50,000 BTU/hr  
 Total Input 115,000 BTU/hr

### WATER SUPPLY (per section):

- TDS: < 100 ppm Hardness: 80-120 ppm pH: 7.0 - 8.0  
 Chlorides: < 30 ppm 40(min)-50(max) PSI 122°F (50°C) avg. drain temp.  
 2" drain connection 3/4" hose cold water (Hot or filtered water optional, order part #R9604)

### SHIPPING INFORMATION:

- Approx. Weight:**  
 Single section 650 lbs. (295 kg)  
 Double section 1325 lbs. (601 kg)  
 Stand w/guides 140 lbs. (64 kg)  
**Crate sizes (per section):**  
 53" H x 45" W x 42" D (1346.2 x 1143 x 1066.8mm)

**NOTE:** The company reserves the right to make substitutions of components without prior notice

### BLODGETT COMBI

www.blodgett.com

44 Lakeside Avenue, Burlington, VT 05401

Toll Free: (800) 331-5842 • Phone: (802) 860-3700 • Fax: (802) 864-0183

## Free Manuals Download Website

<http://myh66.com>

<http://usermanuals.us>

<http://www.somanuals.com>

<http://www.4manuals.cc>

<http://www.manual-lib.com>

<http://www.404manual.com>

<http://www.luxmanual.com>

<http://aubethermostatmanual.com>

Golf course search by state

<http://golfingnear.com>

Email search by domain

<http://emailbydomain.com>

Auto manuals search

<http://auto.somanuals.com>

TV manuals search

<http://tv.somanuals.com>