

10 Sunnen Drive
St. Louis, MO 63143
telephone: 314-678-6336
fax: 314-781-2714
www.wellsbloomfield.com



Model 8702



Model 8852



Model 8851

NOTE: All warmers shown with optional 8900-Series Glass Decanters (available separately).

OPERATION MANUAL For

Hot Plate-Style Decanter Warmer

MODELS

8708 Dual In-Line Warmer

8851 Single Warmer

8852 Dual Warmer

Includes:

**Installation
Use & Care**

WARRANTY STATEMENT

All electrical equipment manufactured by WELLS BLOOMFIELD, LLC is warranted against defects in materials and workmanship for a period of one year from the date of original installation or eighteen (18) months from the date of shipment from our factory, whichever comes first, and is for the benefit of the original purchaser, except that:

- a. airpots carry a 30 day parts warranty only.
- b. dispensers; i.e., tea and coffee carry a 90 days parts warranty only, excludes decanters.

THE FOREGOING OBLIGATION IS EXPRESSLY GIVEN IN LIEU OF ANY OTHER WARRANTIES, EXPRESSED OR IMPLIED, INCLUDING ANY IMPLIED WARRANTY OF MERCHANTABILITY OR FITNESS FOR A PARTICULAR PURPOSE, WHICH ARE HEREBY EXCLUDED.

WELLS BLOOMFIELD, LLC SHALL NOT BE LIABLE FOR INDIRECT, INCIDENTAL OR CONSEQUENTIAL DAMAGES OR LOSSES FROM ANY CAUSE WHATSOEVER.

This warranty is void if it is determined that upon inspection by an Authorized Service Agency that the equipment has been modified, misused, misapplied, improperly installed, or damaged in transit or by fire, flood or act of God.

It also does not apply if the serial nameplate has been removed or unauthorized service personnel perform service. The prices charged by Bloomfield Industries for its products are based upon the limitations in this warranty. Seller's obligation under this warranty is limited to the repair of defects without charge by a Bloomfield Authorized Service Agency or one of its sub-agencies. This service will be provided on customer's premises for non-portable models. Portable models (a device with a cord and plug) must be taken or shipped to the closest Authorized Service Agency, transportation charges prepaid, for services.

In addition to restrictions contained in this warranty, specific limitations are shown below (Additional Warranty Exclusions). Bloomfield Industries Authorized Service Agencies are located in principal cities.

This warranty is valid in the United States and void elsewhere. Please consult your classified telephone directory or your food service equipment dealer; or, for information and other details concerning warranty, write to:

Service Parts Department
Wells Bloomfield, LLC
10 Sunnen Drive, St. Louis, MO 63143
Phone: (314) 678-6336... Fax: (314) 781-2714

SERVICE POLICY AND PROCEDURE GUIDE ADDITIONAL WARRANTY EXCLUSIONS

1. Resetting of safety thermostats, circuit breakers, overload protectors, or fuse replacements unless warranted conditions are the cause.
2. All problems due to operation at voltages other than specified on equipment nameplates; conversion to correct voltage must be the customer's responsibility.
3. All problems due to electrical connections not made in accordance with electrical code requirements and wiring diagrams supplied with the equipment.
4. Replacement of items subject to normal wear, to include such items as knobs and light bulbs. Normal maintenance functions including adjustment of thermostats, microswitches, and replacement of fuses and indicating lights are not covered under warranty.
5. All problems due to inadequate water supply, such as fluctuating, or high or low water pressure.
6. All problems due to mineral/calcium deposits, or contamination from chlorides/chlorines. De-liming is considered a preventative maintenance function and is not covered by warranty.
7. Full use, care and maintenance instructions are supplied with each machine. Those miscellaneous adjustments noted are customer responsibility. Proper attention will prolong the life of the machine.
8. Travel mileage is limited to sixty (60) miles from an authorized Service Agency or one of its sub-agencies.
9. All labor shall be performed during normal working hours. Overtime premium shall be charged to the customer.
10. All genuine Bloomfield replacement parts are warranted for ninety (90) days from date of purchase on non-warranted equipment. **Any use of non-genuine Bloomfield parts completely voids any warranty.**
11. Installation, labor and job check-out are not considered warranty.
12. Charges incurred by delays, waiting time or operating restrictions that hinder the service technicians ability to perform services are not covered by warranty. This includes institutional and correctional facilities.

SHIPPING DAMAGE CLAIMS PROCEDURE

NOTE: For your protection, please note that equipment in this shipment was carefully inspected and packaged by skilled personnel before leaving the factory. Upon acceptance of this shipment, the transportation company assumes full responsibility for its safe delivery.

IF SHIPMENT ARRIVES DAMAGED:

1. **VISIBLE LOSS OR DAMAGE:** Be certain that any visible loss or damage is noted on the freight bill or express receipt, and that the note of loss or damage is signed by the delivery person.
2. **FILE CLAIM FOR DAMAGE IMMEDIATELY:** Regardless of the extent of the damage.

3. **CONCEALED LOSS OR DAMAGE:** if damage is unnoticed until the merchandise is unpacked, notify the transportation company or carrier immediately, and file "CONCEALED DAMAGE" claim with them. This must be done within fifteen (15) days from the date the delivery was made to you. Be sure to retain the container for inspection.

Wells Bloomfield cannot assume liability for damage or loss incurred in transit. We will, however, at your request, supply you with the necessary documents to support your claim.

TABLE OF CONTENTS

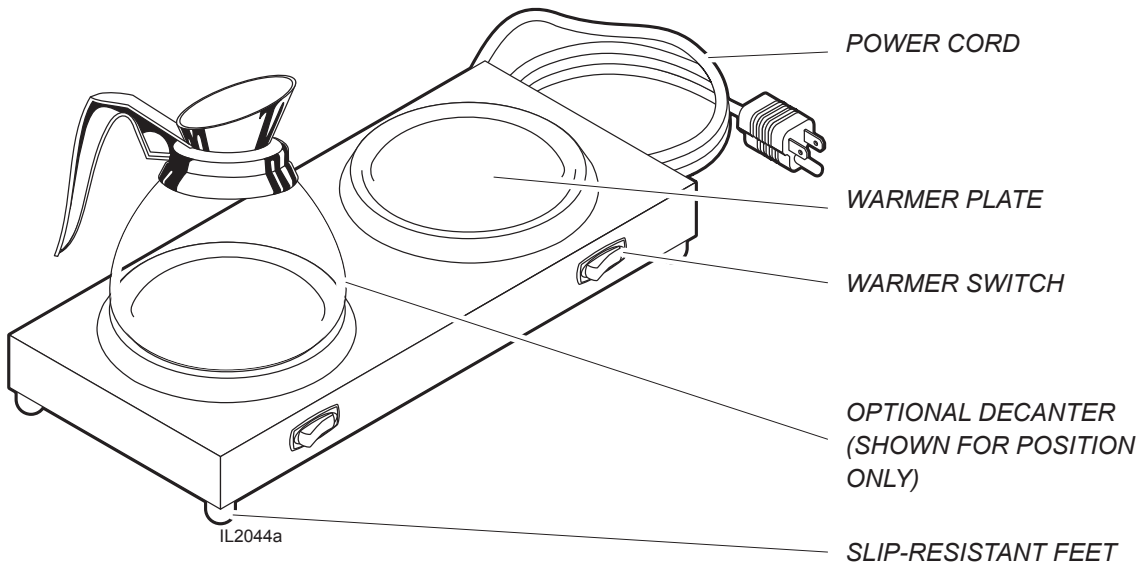
WARRANTY STATEMENT	xi	Thank You for purchasing this Wells Bloomfield appliance.
SPECIFICATIONS	1	
FEATURES & OPERATING CONTROLS	2	Proper installation, professional operation and consistent maintenance of this appliance will ensure that it gives you the very best performance and a long, economical service life.
PRECAUTIONS & GENERAL INFORMATION	3	
AGENCY LISTING INFORMATION	3	
INSTALLATION INSTRUCTIONS	4	
OPERATION	5	
CLEANING INSTRUCTIONS	5	This manual contains the information needed to properly install this appliance, and to use, care for the appliance in a manner which will ensure its optimum performance.
EXPLODED VIEWS, PARTS LISTS & WIRE DIAGRAMS		
8852	6	
8708	7	
8851	8	

SPECIFICATIONS

MODEL	STYLE	VOLTS 1 ϕ	WATTS	AMPS	POWER SUPPLY CORD
8708	Dual Step-Up	120 VAC	200	1.7	NEMA-5-15P
8708DSU		220-240V		0.8	CEE 7/VII
8708DSUUK					CW 3100
8851	Single	120 VAC	100	0.8	NEMA-5-15P
8851S		220-240V		0.44	CEE 7/VII
8851SUK					CW 3100
8852	Dual	120 VAC	200	1.7	NEMA-5-15P
8852D		220-240V	200	0.8	CEE 7/VII
8852DUK					CW 3100

Decanter warmers operate at a warming temperature of approximately 185°F ± 10°F (85 °C ± 6°C).

FEATURES AND OPERATING CONTROLS



*Fig. 1 Features & Operating Controls
Model 8852 shown. Features are similar for all models.*

PRECAUTIONS AND GENERAL INFORMATION



WARNING: ELECTRIC SHOCK HAZARD

All servicing requiring access to non-insulated components must be performed by qualified service personnel. Do not open any access panels which require the use of tools. Failure to heed this warning can result in electrical shock.



WARNING: INJURY HAZARD

All installation procedures must be performed by qualified personnel with full knowledge of all applicable electrical codes. Failure could result in property damage and personal injury.



WARNING: ELECTRIC SHOCK HAZARD

Brewer must be properly grounded to prevent possible shock hazard. DO NOT assume a plumbing line will provide such a ground. Electrical shock will cause death or serious injury.

This appliance is intended for indoor commercial use only.

This appliance is intended for use to maintain the temperature of hot liquids beverage products for human consumption. No other use is recommended or authorized by the manufacturer or its agents.

This appliance is intended for use in commercial establishments, where all operators are familiar with the appliance use, limitations and associated hazards. Operating instructions and warnings must be read and understood by all operators and users.

The following trouble shooting, component views and parts lists are included for general reference, and are intended for use by qualified service personnel.

This manual should be considered a permanent part of this appliance. The manual must remain with the appliance if it is sold or moved to another location.



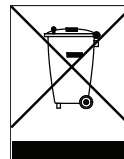
CAUTION: EQUIPMENT DAMAGE

DO NOT plug in or energize this appliance until all *Installation Instructions* are read and followed. Damage to the warmer may occur if these instructions are not followed.



CAUTION: BURN HAZARD


Exposed surfaces of the warmer may be HOT to the touch. The warmer plate will be very hot during operation and can cause serious burns on contact.



Do not discard this appliance as usual trash at the end of its useful life. Recycle properly.

AGENCY LISTING INFORMATION

This warmer is  listed under UL file E9253.

This brewer meets  Standard 4 only when installed, operated and maintained in accordance with the enclosed instructions.



INSTALLATION INSTRUCTIONS

READ THIS CAREFULLY BEFORE STARTING THE INSTALLATION



CAUTION: EQUIPMENT DAMAGE

DO NOT plug in or energize this appliance until all Installation Instructions are read and followed.

Damage to the Brewer will occur if these instructions are not followed.



CAUTION: UNSTABLE EQUIPMENT HAZARD

It is very important for safety and for proper operation that the brewer is level and stable when standing in its final operating position. Provided adjustable, non-skid legs must be installed at each corner of the unit. Failure to do so will result in movement of the brewer which can cause personal injury and/or damage to brewer.



WARNING: SHOCK HAZARD

Brewer must be properly grounded to prevent possible shock hazard. DO NOT assume a plumbing line will provide such a ground. Electrical shock will cause death or serious injury.

IMPORTANT:

The ground prong of the plug is part of a system designed to protect you from electrical shock in the event of internal damage. Never cut off the ground prong nor twist a blade to fit an existing receptacle. Contact a licensed electrician to install the proper circuit and receptacle.

Unpack the unit. Inspect all components for completeness and condition. Ensure that all packing materials have been removed from the unit.

Verify that the Spray Head Gasket and Spray Disk are properly installed.

LEVELING THE UNIT

Verify that slip-resistant foot is installed at each corner of the warmer.

Set warmer in its operating location. Level the warmer. A spirit level should be placed on the top of the unit, at the edge, as a guide when making level adjustments.

ELECTRICIAN'S INSTALLATION INSTRUCTIONS

REFER TO ELECTRICAL SPECIFICATIONS - Page 1

Check the nameplate to determine correct electrical service required for the Brewer to be installed.

Warmer models 8708, 8851, 8852, 8871 and 8872 are equipped with a cord and plug. They require a 115 - 125 volt 15 amp circuit (50/60 Hz, 2 wire plus ground, with NEMA 5-15R receptacle).

OPERATION

Place a decanter of hot beverage on a warmer plate.

Press warmer switch for that warmer plate to ON (I).

Press warmer switch to OFF (O) when a warmer plate is not in use for any extended period.

SUGGESTION: Coffee loses its fresh flavor if allowed to set on a warmer for too long. Discard stale coffee promptly.

DO NOT allow an empty decanter to set on a hot warmer. This will damage the decanter. Discard any decanter that has been allowed to boil dry.

Disconnect warmer from electric power if unused for prolonged periods (i.e. overnight).



CAUTION: BURN HAZARD

Exposed surfaces of the warmer may be HOT to the touch. The warmer plate will be very hot during operation and can cause serious burns on contact.

CLEANING INSTRUCTIONS

PROCEDURE: Clean Coffee Warmer

PRECAUTIONS: Disconnect warmer from electric power.
Allow warmer to cool.

FREQUENCY: Daily

TOOLS: Mild Detergent, Clean Soft Cloth or Sponge



CAUTION: BURN HAZARD

Brewing and serving temperatures of coffee are extremely hot. Hot coffee will cause serious skin burns.



CAUTION: SHOCK HAZARD

Do not submerge or immerse warmer in water.
Do not pour or splash water onto switches or wiring.

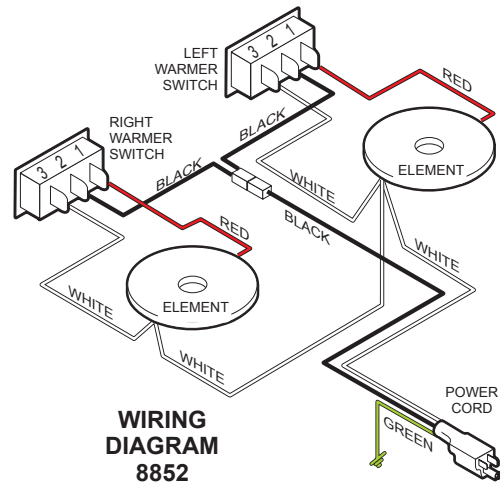
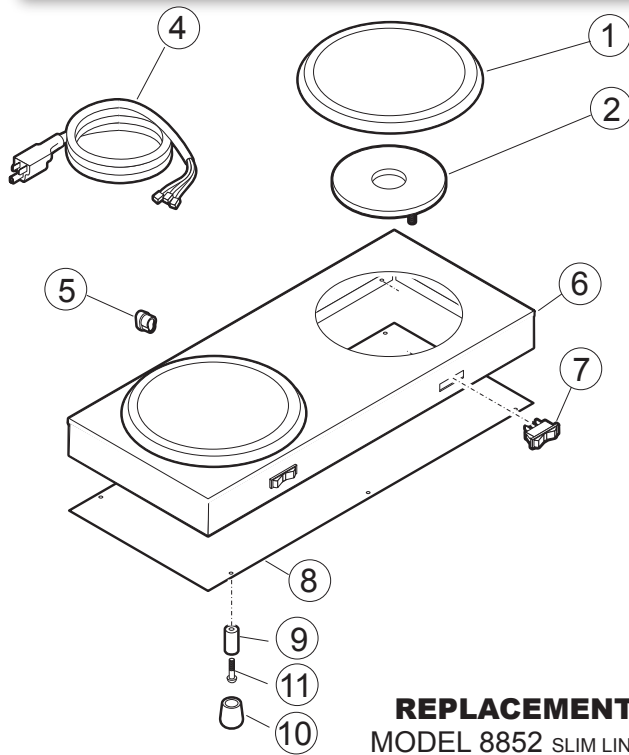
1. Disconnect warmer from electric power.
Allow warmer to cool before cleaning.
Remove decanters.
2. Wipe the warmer plates with a sponge dampened with warm water and a mild detergent. Rinse with clean water and allow to air dry.
3. Wipe the exterior of the warmer with a soft clean cloth or sponge moistened with clean water and allow to air dry.

Procedure is complete

IMPORTANT:

DO NOT use steel wool, sharp objects, or caustic, abrasive or chlorinated cleansers to clean the warmer.

8852 EXPLODED VIEW / PARTS LIST / WIRING DIAGRAM



NOTE: Export Cord
White = Blue
Black = Brown

REPLACEMENT PARTS LIST

MODEL 8852 SLIM LINE DOUBLE WARMER
120V, 200 W
220/240V, 200W Export

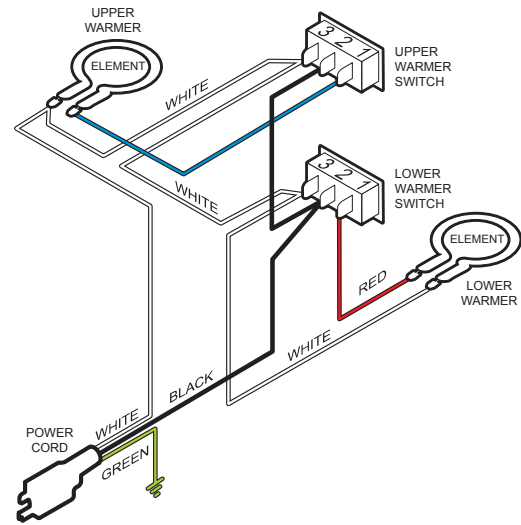
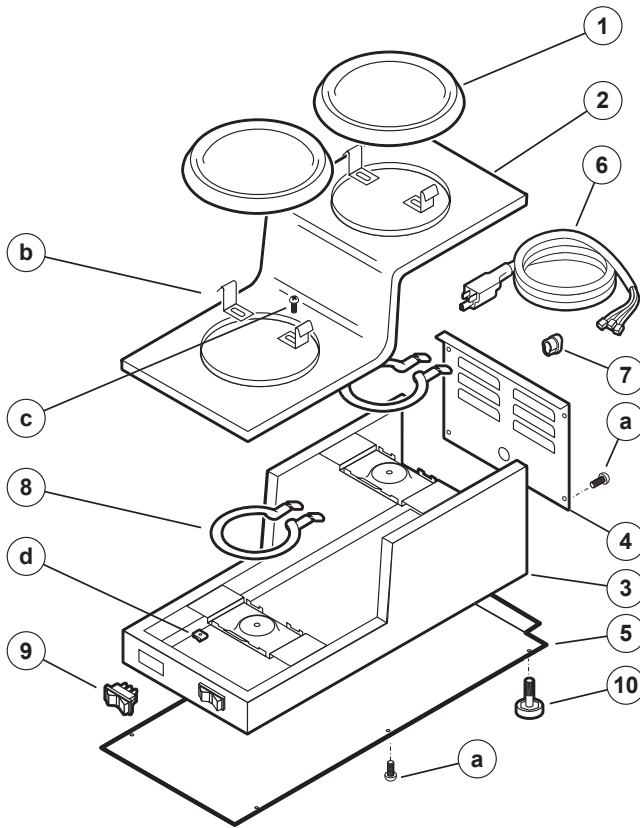
IL2045

8852 Slim Line Double Warmer				
Fig No	Description	8852	8852 UK	8852 EU
		Part No.		
1	PLATE COVER WARMER	2D-70090		
2	ELEM WARMER FLAT 120V 100W	2N-70091UL	2N-70636UL	
4	CORD & CAP	A6-WL0412	A6-WL0140	A6-WL0141
5	STRAIN RELIEF STR	2K-70215	2K-70648	
6	BODY, WARMER	E5-WL0136		
7	SWITCH ON-OFF LITED 120V	2E-72946	2E-70247	
8	PANEL BOTTOM	E5-Z13605		
9	FERRULE EYELET	2C-70316		
10	BUMPERS RUBBER BLACK	DD-70315		
11	SCREW 8X1/2 PH PAN DRILL	2C-301522		

763 p/n 2M-77719 OpManual Decanter Warmers

8708 EXPLODED VIEW / PARTS LIST / WIRING DIAGRAM

REPLACEMENT PARTS LIST MODEL 8708 STEP-UP DOUBLE WARMER

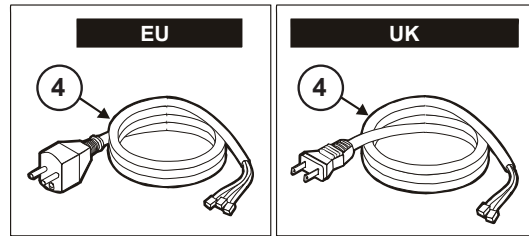
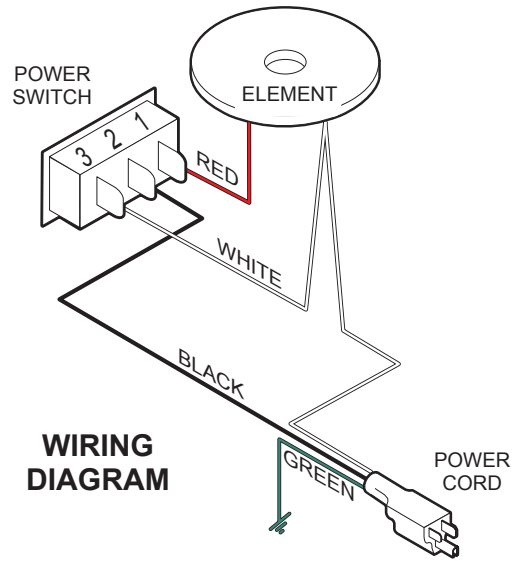
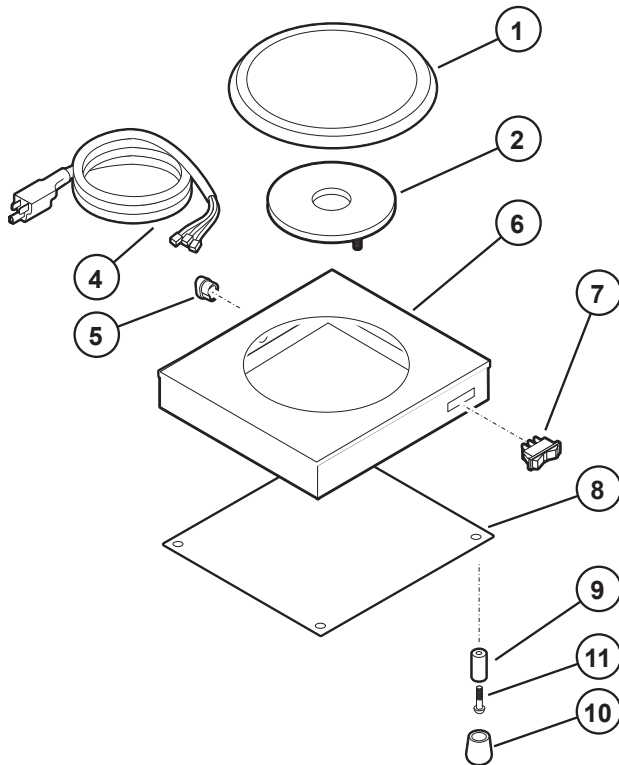


IL2029

MODEL 8708 STEP-UP DOUBLE WARMER

Item No	Part No	Description	Application
1	2D-70090	PLATE COVER WARMER	
2	E5-71203	COVER WARMER TOP	
3	A6-71206	BODY SUB ASSY 8708 WARMER	
4	E5-71204	COVER BACK WARMER	
5	E5-70339	PLATE BOT S/A DBL STEP-UP	
6	A6-WL0412	CORD & CAP ASSY	120V
	A6-WL0141	CORD & EURO PLUG TERM	230V
	A6-WL0140	CORD & UK PLUG ASSY TERM	230UK
7	2K-70215	STRAIN RELIEF STR	120V
	2K-70648	STRAIN RELIEF SMALL	230V, 230UK
8	2N-70091UL	ELEM WARMER 120V 100W	120V
	2N-70635UL	ELEM WARMER 100W 240V/85W	230V, 230UK
9	2E-72946	SWITCH ON-OFF LITED 120V	120V
	2E-70247	SWITCH ON OFF LTD BLACK 2	230V, 230UK
10	2A-71732	LEG ASSY LEVELING	
a	2C-70127	SCREW 8BX3/8 PH TR HD	
b	2C-70098	CLIP	
c	2C-70099	SCREW 8-32X3/8 PH PAN	
d	2C-70132	NUT TNR ZI #8	

8851 EXPLODED VIEW / PARTS LIST / WIRING DIAGRAM



IL2056

NOTE: 120V DIAGRAM SHOWN, 220V SAME EXCEPT USE 220V ELEMENT, CORD AND PLUG, WIRE COLORS.		PARTS LIST		
		PART Number		
#	DESCRIPTION	MODEL 8851S	MODEL 8851S	MODEL 8851S
		120V	UK 230V	EU 230V
1	Cover Plate	2D-70090		
2	Element Heating	2N-70091UL	2N-70635UL	
4	Assy. Power Cord w/Plug	2E-70295	A6-WL0140	A6-WL0141
5	Strain Relief, Power Cord	2K-70215	2K-70648	
6	Body, Warmer	E5-WL0142		
7	Switch, Lighted	2E-72946	2E-70247	
8	Panel, Bottom	E5-Z13649		
9	Ferrule Eyelet	2C-70316		
10	Foot, Black Rubber	DD-70315		
11	Screw, #8 STSM 5/8"	2C-70092		

763 p/n 2M-77719 OpManual Decanter Warmers

NOTES

763 p/n 2M-77719 OpManual Decanter Warmers



Wells Bloomfield proudly supports CFESA
Commercial Food Equipment Service Association

SERVICE TRAINING - QUALITY SERVICE



CUSTOMER SATISFACTION



WELLS BLOOMFIELD, LLC

10 Sunnen Drive, St. Louis, MO 63143
telephone: 314-678-6336 fax: 314-781-2714
www.wellsbloomfield.com

Free Manuals Download Website

<http://myh66.com>

<http://usermanuals.us>

<http://www.somanuals.com>

<http://www.4manuals.cc>

<http://www.manual-lib.com>

<http://www.404manual.com>

<http://www.luxmanual.com>

<http://aubethermostatmanual.com>

Golf course search by state

<http://golfingnear.com>

Email search by domain

<http://emailbydomain.com>

Auto manuals search

<http://auto.somanuals.com>

TV manuals search

<http://tv.somanuals.com>