



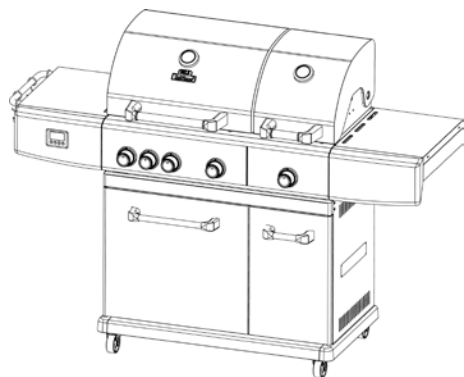
Natural Gas Conversion Kit for



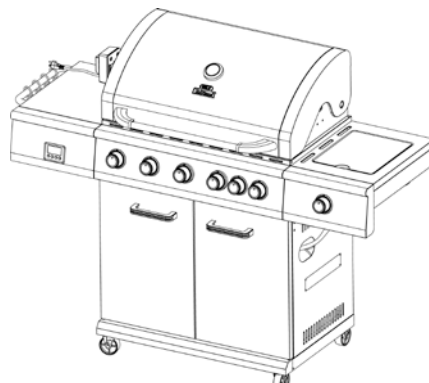
GBC1059WB-C / Gainesville



GBC1059WE-C / Gilmour




GBC1069WB-C / Jackson



GBC1076WE-C / Memphis

This Natural Gas Conversion Kit can be used ONLY with the grills listed above.

 **WARNING**
FOR YOUR SAFETY:
For Outdoor Use Only
(outside any enclosure)

 **WARNING**
FOR YOUR SAFETY:

1. Improper installation, adjustment, alteration, service or maintenance can cause injury or property damage.
2. Read the installation, operation, and maintenance instructions thoroughly before installing or servicing this equipment.
3. Failure to follow these instructions could result in fire or explosion, which could cause property damage, personal injury, or death.
4. This instruction manual contains important information necessary for the proper assembly and safe use of the appliance.
5. Read and follow all warnings and instructions before assembling and using the appliance.
6. Follow all warnings and instructions when using the appliance.
7. Keep this manual for future reference.

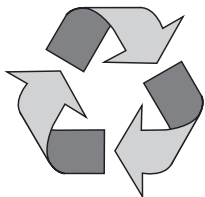
Save these instructions for future reference.
If you are assembling this unit for someone else, give this manual to him or her to read and save for future reference.

Table of Contents

Important Safeguards	Page 2
Exploded View & Hardware	3
Conversion Instructions	3
Instalilling Natural Gas Line	11
Connect Natural Gas line	11
Disconnect Natural Gas Line	11
Operating Instructions.	11
Checking for Leaks	11
Operating Main Burners	11
Operating Infrared Sear Burner	11
Operating Side Burner.	11
Operating Infrared Back Burner.	11
Cleaning and Care	11
Limited Warranty	11

The use and installation of this product must conform to local codes. In absence of local codes, use the *National Fuel Gas Code, ANSI Z223.1/NFPA 54, Natural Gas and Propane Installation Code, CSA B149.1, or Propane Storage and Handling Code, B149.2.*

Installation should be done by a qualified service person.
Use only Blue Rhino Global Sourcing, Inc. factory authorized parts. The use of any other part that is not factory authorized can be dangerous and will void your warranty.



Made from 70% Bagasse

(Environmentally Friendly Sugar Cane Pulp By-product)

Manufactured in China for: Blue Rhino Global Sourcing, Inc
Winston-Salem, NC USA • 1.800.762.1142, www.bluerhino.com

© 2011 Blue Rhino Global Sourcing, Inc. All Rights Reserved
UniFlame® is a Registered Trademark of Blue Rhino Global Sourcing, Inc.. All Rights Reserved.

Download from Wwww.Somanuals.com. All Manuals Search And Download.



DANGER



If you smell gas -

1. Shut off gas to appliance.
2. Extinguish any open flame.
3. Open lid.
4. If odor continues, keep away from the appliance and immediately call your fire department.

Failure to follow these instructions could result in fire or explosion which could cause property damage, personal injury or death.

WARNING

FOR YOUR SAFETY



Do not store or use gasoline or other flammable liquids or vapors in the vicinity of this or any other appliance.

DANGER



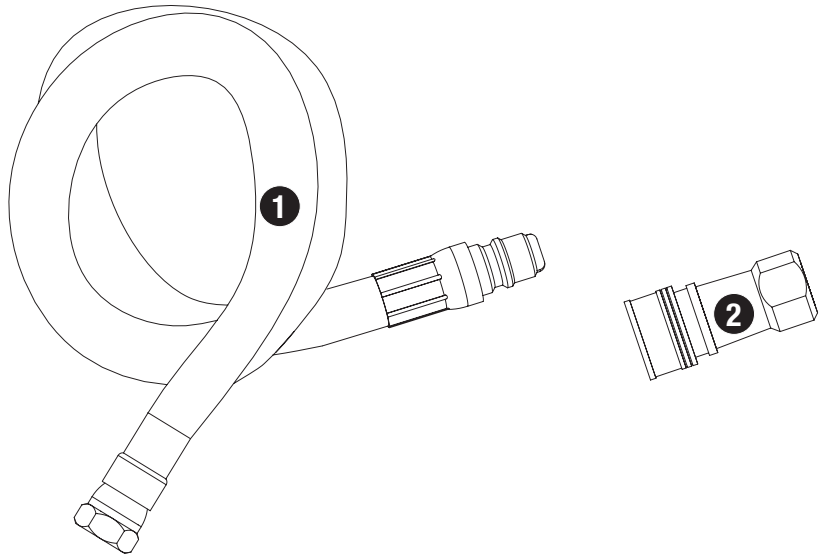
Never operate this appliance unattended.

▲ DANGER: Failure to follow the dangers, warning and cautions in this manual may result in serious bodily injury or death, or in a fire or an explosion causing damage to property.

- ▲ WARNING:**
- ▲ Installation and repairs should be done by a qualified service person.
 - ▲ This grill is for outdoor use only, and shall not be used in a building, garage, or any other enclosed area.
 - ▲ Do NOT operate, light or use this appliance within ten (10) feet (3.05 m) of walls, structures or buildings.
 - ▲ For residential use only. This grill is NOT for commercial use.
 - ▲ This grill is not intended for and should never be used as a heater. TOXIC fumes can accumulate and cause asphyxiation.
 - ▲ This grill is safety certified for use in the United States and/or Canada only. Do not modify for use in any other location. Modification will result in a safety hazard.
 - ▲ Apartment Dwellers: Check with management to learn the requirements and fire codes for using an LP gas grill in your apartment complex. If allowed, use outside on the ground floor with a ten (10) foot (3.05 m) clearance from any structure. Do not use on or under balconies.
 - ▲ Natural Gas (NG) Characteristics:
 - a. NG is flammable and hazardous if handled improperly. Become aware of the characteristics before using any NG product.
 - b. NG is explosive under pressure, heavier than air and settles and pools in low areas.
 - c. NG in its natural state has no odor. For your safety, an odorant is added that smells like rotten cabbage.
 - d. Contact with NG can cause freeze burns to skin.
 - ▲ Do not insert any tool or foreign object into the valve outlet or safety relief valve. You may damage the valve and cause a leak. Leaking natural gas may result in explosion, fire, severe personal injury or death.
 - ▲ Do not block holes in sides or back of grill.
 - ▲ If grill is not in use, the gas must be turned off at the main valve on the NG supply line.
 - ▲ Do not store a spare LP gas tank under or near this appliance.
 - ▲ Never attempt to attach this grill to the self-contained LP gas system of a camper trailer, motor home or house.
 - ▲ The use of alcohol, prescription or non-prescription drugs may impair the consumer's ability to properly assemble or safely operate the appliance.
 - ▲ Strong odors, colds, sinus congestion, etc. may prevent the detection of natural gas. Use caution and common sense when testing for leaks.
 - ▲ Never use charcoal, lighter fluid, lava rocks, gasoline, kerosene or alcohol with this product.
 - ▲ Your grill has been checked at all factory connections for leaks. Recheck all connections as described in the "Operating Instructions" section of the manual, as movement in shipping can loosen connections.
 - ▲ Check for leaks even if your unit was assembled for you by someone else.
 - ▲ Do not operate if gas leak is present. Gas leaks may cause a fire or explosion.
 - ▲ You must follow all leak-checking procedures before operating. To prevent fire or explosion hazard when testing for a leak:
 - a. Always perform leak test before lighting the grill and each time the natural gas line is connected.
 - b. No smoking. Do not use or permit sources of ignition in the area while conducting a leak test.
 - c. Conduct the leak test outdoors in a well-ventilated area.
 - d. Do not use matches, lighters, or a flame to check for leaks.
 - e. Do not use grill until any and all leaks are corrected.If you are unable to stop a leak, turn off the main valve on the NG supply line. Call a gas appliance serviceman or your local NG supplier.
 - ▲ The appliance and its individual shutoff valve must be disconnected from the gas supply piping system during any pressure testing of that system at a pressures in excess of 1/2 psig (3.5 kpa).
 - ▲ The appliance must be isolated from the gas supply piping system by closing its individual manual shutoff valve during any pressure testing of the gas supply piping system at test pressures equal to or less than 1/2 psig (3.5 kpa).
 - ▲ This grill is designed with to operate at an inlet pressure of: 7 inches water column.
 - ▲ Do not store or use gasoline or other flammable liquids or vapors within 25 feet (7.62 m) of this appliance.
 - ▲ Do not use in an explosive atmosphere. Keep grill area clear and free from combustible materials, gasoline and other flammable vapors and liquids.
 - ▲ Minimum clearance from sides and back of unit to combustible construction is 36 inches (91.4 cm). Do not use this appliance under any type of overhang or roof.
 - ▲ It is essential to keep the grill's valve compartment, burners, and circulating air passages clean. Inspect grill before each use.
 - ▲ Do not alter grill in any manner. Any alteration will void your warranty.
 - ▲ Do not use the grill unless it is COMPLETELY assembled and all parts are securely fastened and tightened.
 - ▲ Do not build this model of grill in any built-in or slide in construction. Ignoring this warning could cause a fire or an explosion that can damage property and cause serious bodily injury or death.
 - ▲ This grill should be thoroughly cleaned and inspected on a regular basis. Clean and inspect the hose before each use of the appliance. If there is evidence of abrasion, wear, cuts or leaks, the hose must be replaced prior to the appliance being put into operation.
 - ▲ Use only the regulator and hose assembly provided. The replacement regulator and hose assembly shall be that specified by the manufacturer.
 - ▲ Use only Blue Rhino Global Sourcing, Inc. factory authorized parts. The use of any part that is not factory authorized can be dangerous. Doing so will also void your warranty.
 - ▲ Do not operate this appliance without reading "Operating Instructions" in this manual.
 - ▲ Do not touch metal parts of grill until it has completely cooled (about 45 min.) to avoid burns, unless you are wearing protective gear (pot holders, gloves, BBQ mittens, etc.).
 - ▲ Do not install or use in or on boats or recreational vehicles.
 - ▲ When cooking, fire extinguishing materials shall be readily accessible. In the event of an oil/grease fire, do not attempt to extinguish with water. Use type BC dry chemical fire extinguisher or smother with dirt, sand or baking soda.
 - ▲ Do not use grill in high winds.
 - ▲ Never lean over the grill when lighting.
 - ▲ Do not leave a lit grill unattended, especially keep children and pets away from grill at all times.
 - ▲ Do not leave grill unattended while preheating or burning off food residue on high. If grill has not been cleaned, a grease fire can occur that may damage the product.
 - ▲ Do not place empty cooking vessels on the appliance while in operation.
 - ▲ Use caution when placing anything on the grill while the appliance is in operation.
 - ▲ Do not attempt to move grill when in use. Allow the grill to cool before moving or storing.
 - ▲ Natural gas line must be properly disconnected and removed prior to moving this grill.
 - ▲ Storage of grill indoors is permissible only if the natural gas line is disconnected, properly stored outdoors.
 - ▲ Always open grill lid carefully and slowly as heat and steam trapped within grill can severely burn you.
 - ▲ Do not attempt to disconnect the gas regulator from the gas fitting while the grill is in use.
 - ▲ Always place your grill on a hard, non-combustible, level surface. An asphalt or blacktop surface may not be acceptable for this purpose.
 - ▲ Move gas hoses as far away as possible from hot surfaces and dripping hot grease.
 - ▲ Keep all electrical cords away from a hot grill.
 - ▲ After a period of storage and/or nonuse, check for leaks, burner obstructions and inspect for any abrasion, wear or cuts to the hose.
 - ▲ Failure to open lid while igniting the grill's burners, or not waiting 5 minutes to allow the gas to clear if the grill does not light, may result in an explosive flame-up.
 - ▲ Never operate grill without heat plates installed.
 - ▲ Always use a meat thermometer to ensure food is cooked to a safe temperature.
 - ▲ Use protective gloves when assembling this product.
 - ▲ Do not force parts together as this can result in personal injury or damage to the product.
 - ▲ Never cover entire cooking area with aluminum foil.
 - ▲ Deaths, serious injury or damage to property may occur if the above is not followed exactly.

Contact 1.800.762.1142 for assistance. Do not return to place of purchase.


Parts List		Exploded View
1	Natural Gas Hose	55-08-212
2	Quick Connect	55-10-339



Hardware (Not Included)		
A	Screw	M4x10 Nickel Plated Phillips Truss Head
B	Screw	M6x10 Nickel Plated Phillips Truss Head
C	Nut	M4 Nickel Plated
D	Nut	M12 Nickel Plated
E	Washer	ø4.2 Nickel Plated
F	Pin	
G	Pin	
H	Cotter Pin	

Tools Required for Conversion (Not Included)	
#2 Phillips Head Screwdriver	1 pc
M10 Wrench	1 pc
M16 Wrench	2 pcs
M22 Wrench	1 pc

Tools Required for Conversion (Included)	
Wrench	1 pc



Conversion Instructions

1 DO NOT RETURN PRODUCT TO STORE.

For assistance call **1.800.762.1142** toll free. Please have your owner's manual and model number available for reference.

For Easiest Conversion:

- To avoid losing any small components or hardware, assemble your product on a hard level surface that does not have cracks or openings.
- Clear an area large enough to layout all components and hardware.
- When applicable, tighten all hardware connections by hand first. Once the step is completed go back and fully tighten all hardware.
- Follow all steps in order to properly convert your product.
- Complete steps as applicable to your grill.

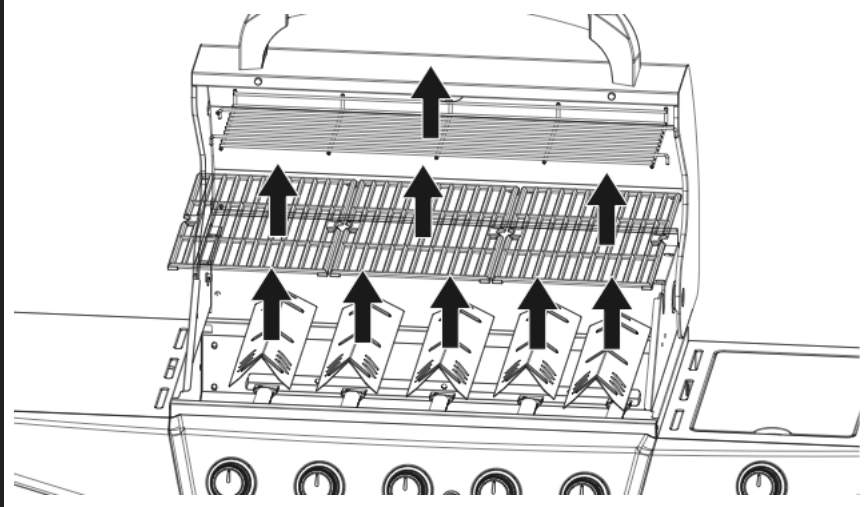
To complete conversion you will need:

- (1) Leak Detection Solution (Instructions on how to make solution are included in the "Operating Instructions" section of this manual)

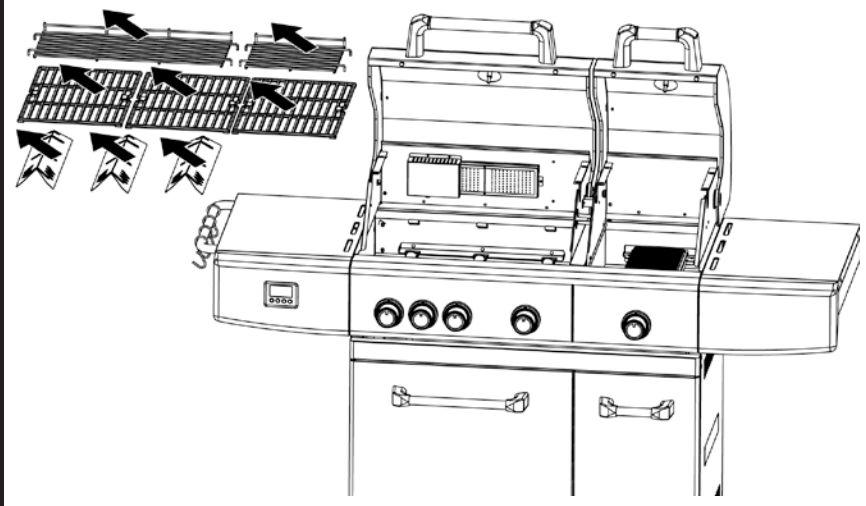
Typical conversion: approximately 1 (one) hour.

2 Remove Warming Racks, Cooking Grids and Heat Plates

GBC1059WB-C / GBC1059WE-C / GBC1076WE-C



GBC1069WB-C

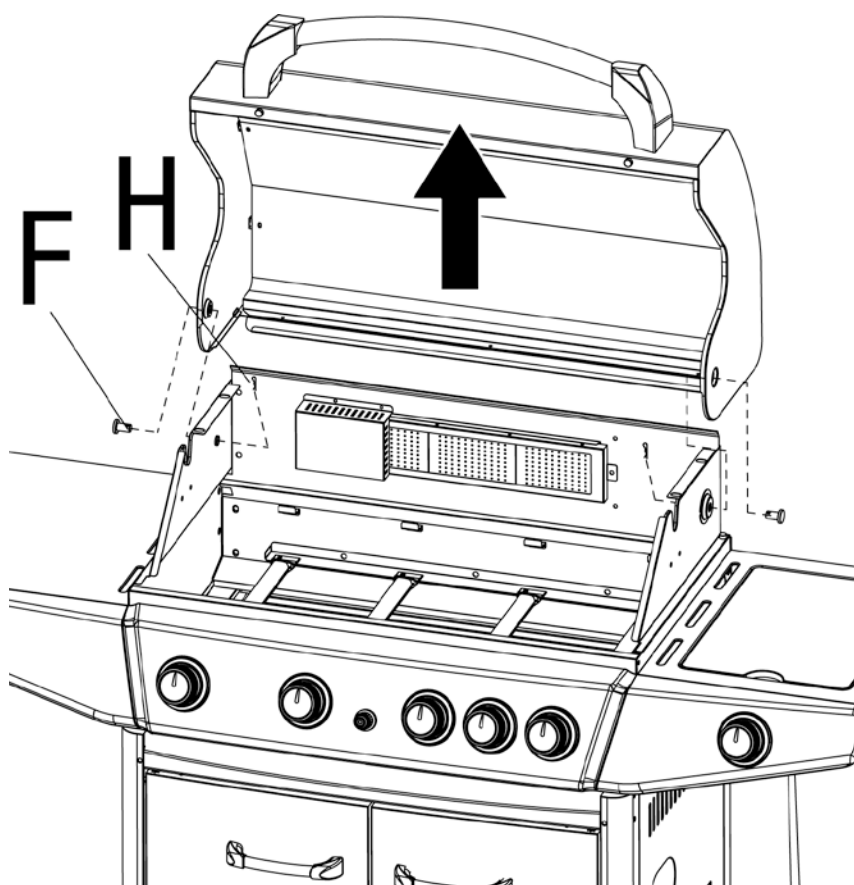


Conversion Instructions


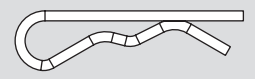
3

Remove Lid(s)

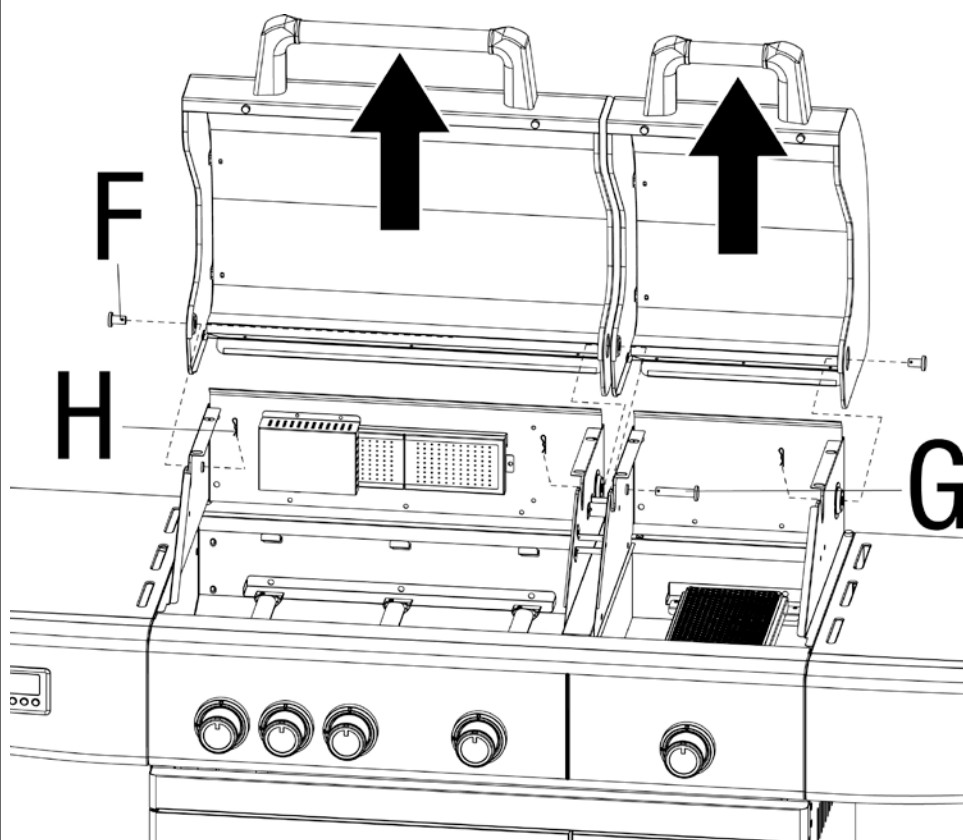
GBC1059WE-C / GBC1076WE-C




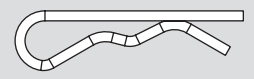

GBC1059WE-C / GBC1076WE-C

- F  x2
- H  x2

GBC1069WB-C



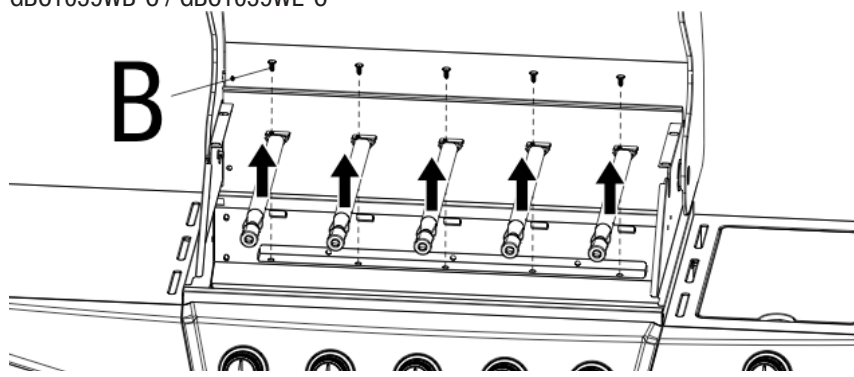
GBC1069WB-C

- F  x2
- H  x3
- G  x1

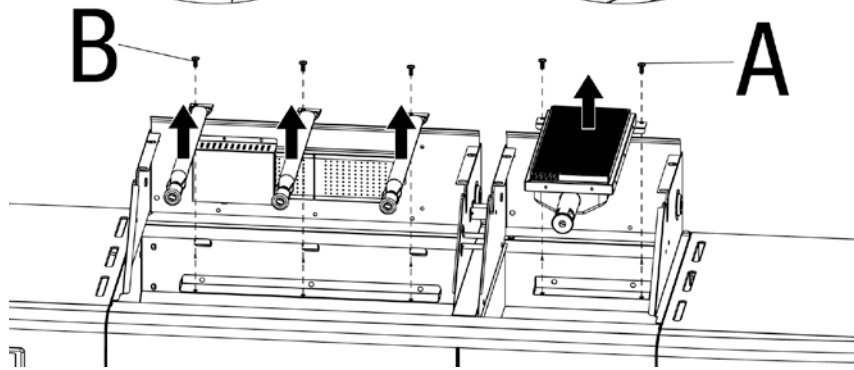
4

Remove Burners and Igniter Wires

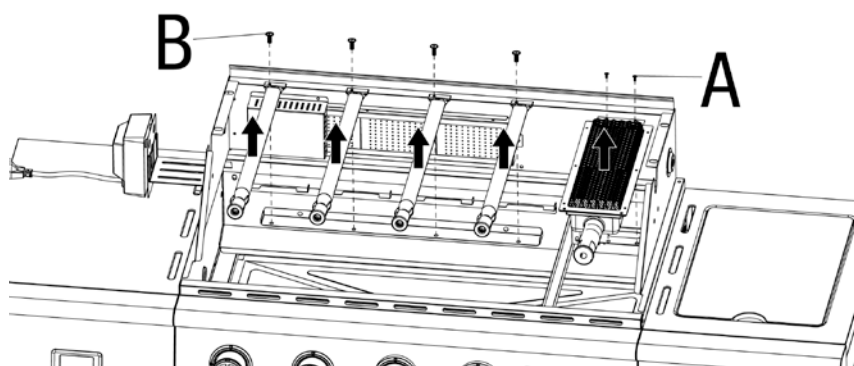
GBC1059WB-C / GBC1059WE-C



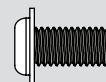
GBC1069WB-C



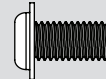
GBC1076WE-C



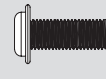
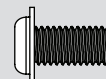
GBC1059WB-C

- B  x5

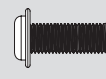
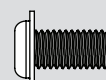
GBC1059WE-C

- B  x4

GBC1069WB-C

- A  x2
- B  x3

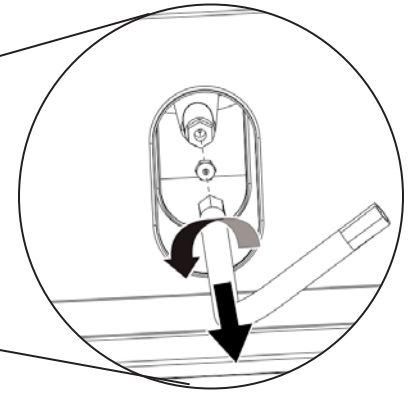
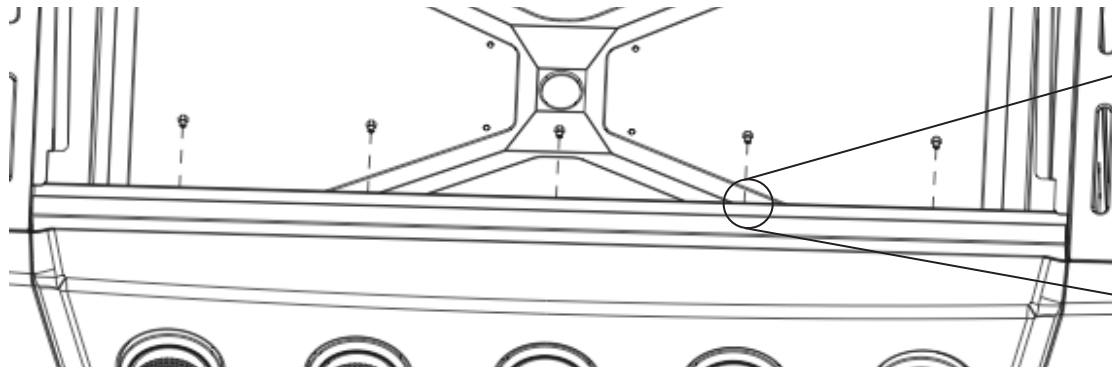
GBC1076WE-C

- A  x2
- B  x4

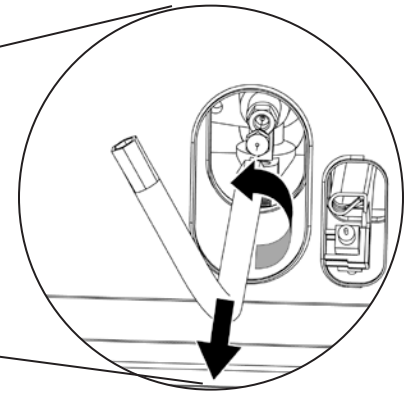
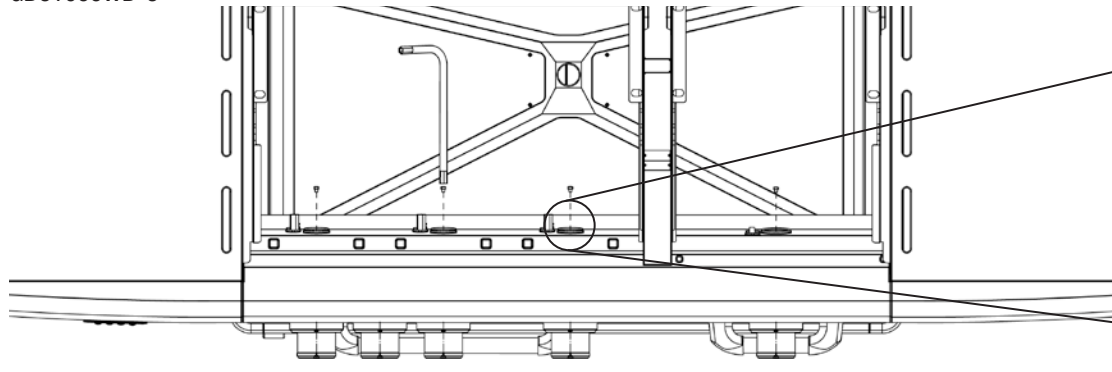
5

Remove Main Burner Orifices

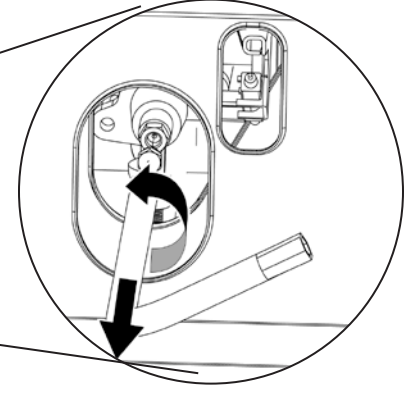
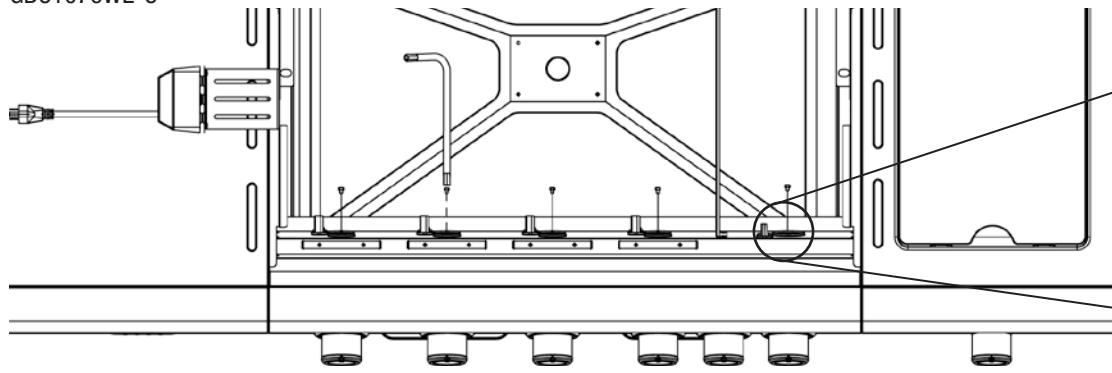
GBC1059WB-C / GBC1059WE-C



GBC1069WB-C



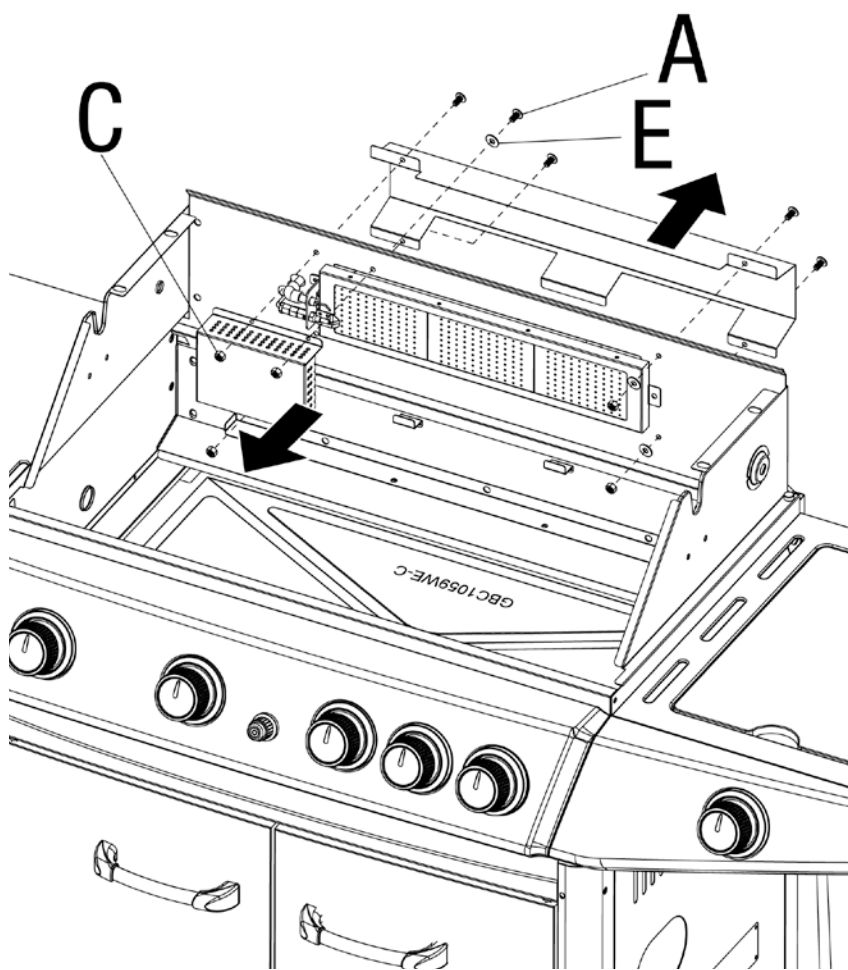
GBC1076WE-C



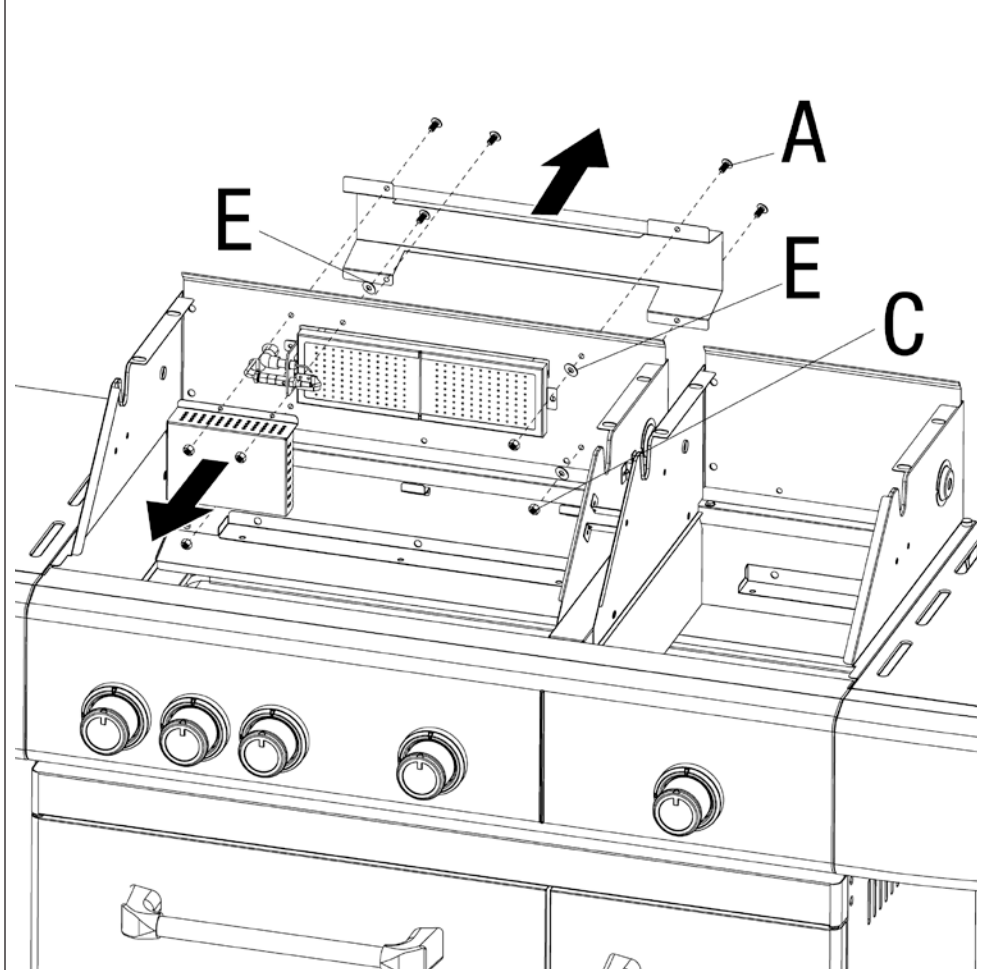
6

Remove Infrared Back Burner Covers

GBC1059WE-C / GBC1076WE-C



GBC1069WB-C



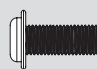
GBC1059WE-C / GBC1076WE-C

A  x 5

E  x 3

C  x 5

GBC1069WB-C

A  x 5

E  x 3

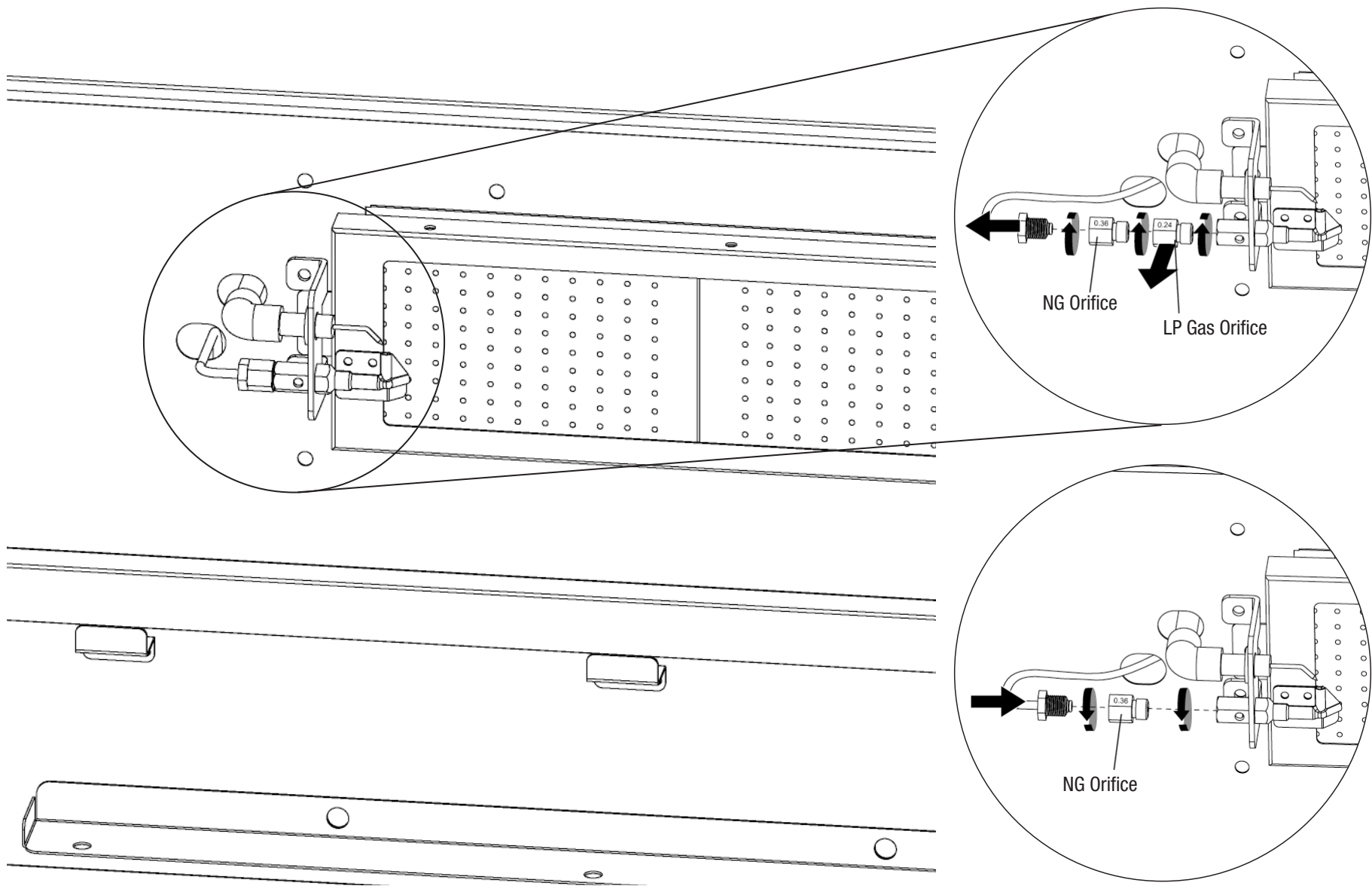
C  x 5

Conversion Instructions (continued)

7

Remove the Infrared Back Burner Front Orifice

GBC1059WE-C / GBC1069WB-C / GBC1076WE-C



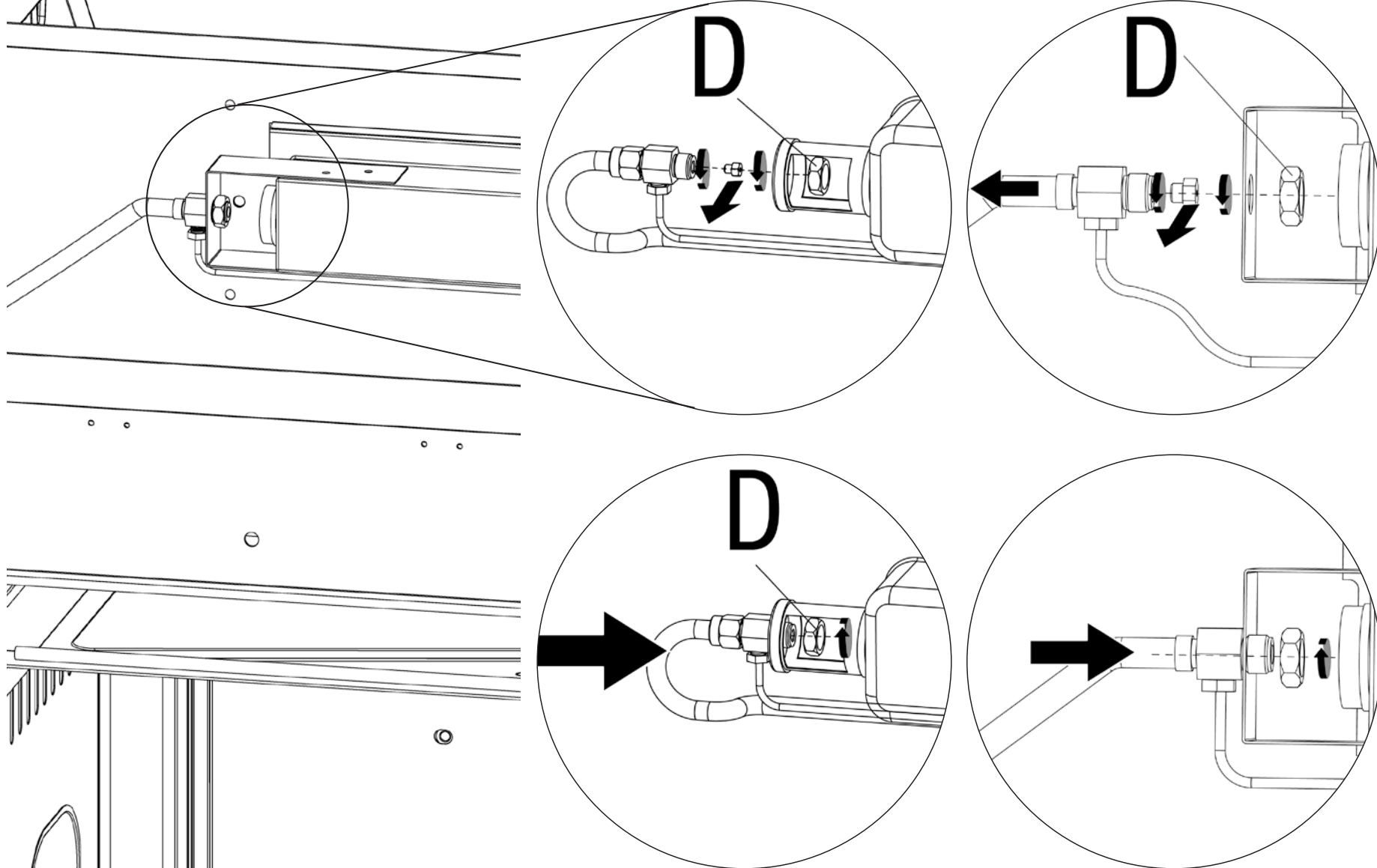
8

Remove Infrared Back Burner Rear Orifice

GBC1059WE-C / GBC1069WB-C / GBC1076WE-C

GBC1069WB-C

GBC1059WE-C / GBC1076WE-C

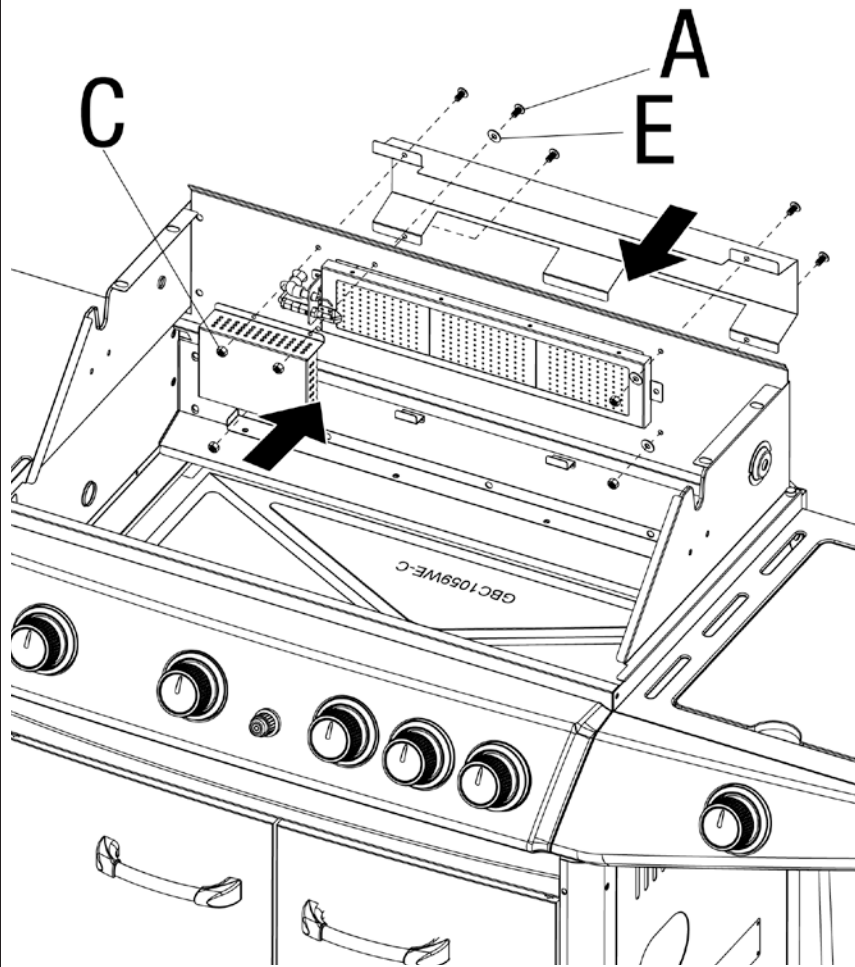


Contact 1.800.762.1142 for assistance. Do not return to place of purchase.

9

Attach Infrared Back Burner Covers

GBC1059WE-C / GBC1076WE-C



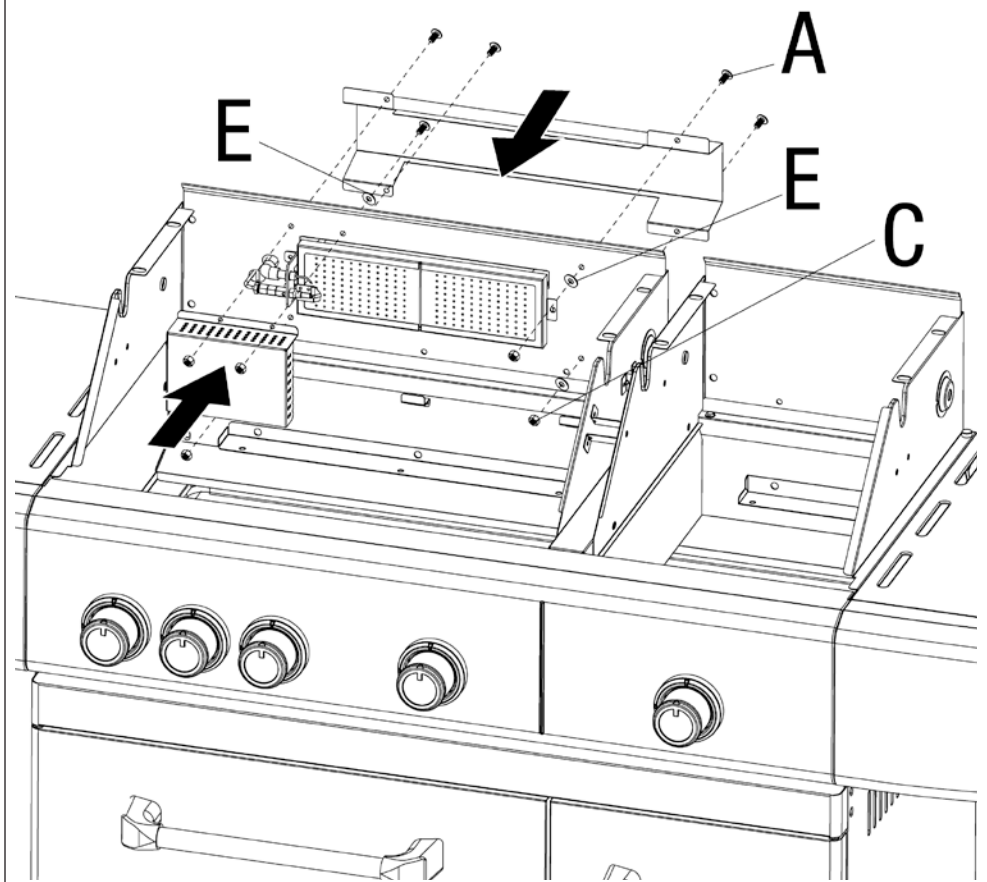
GBC1059WE-C / GBC1076WE-C

A  x 5

E  x 3

C  x 5

GBC1069WB-C



GBC1069WB-C

A  x 5

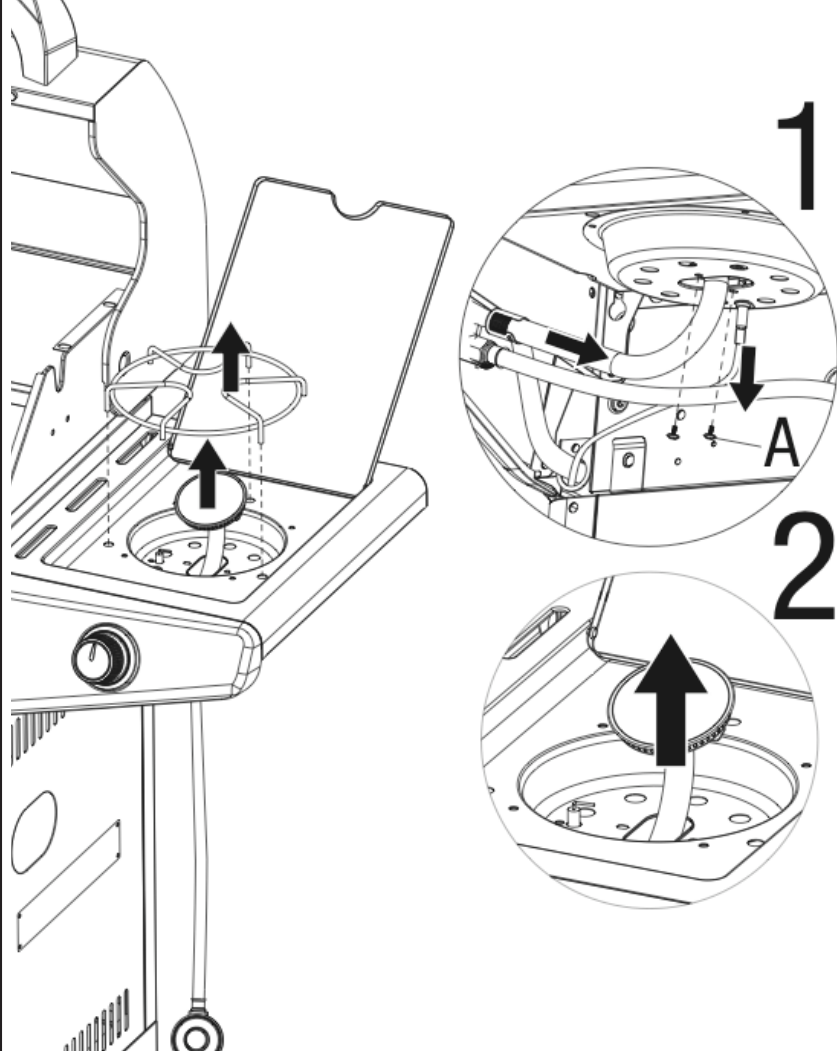
E  x 3

C  x 5

10

Remove Side Burner Grid, Igniter Wire and Side Burner

GBC1059WB-C / GBC1059WE-C / GBC1076WE-C



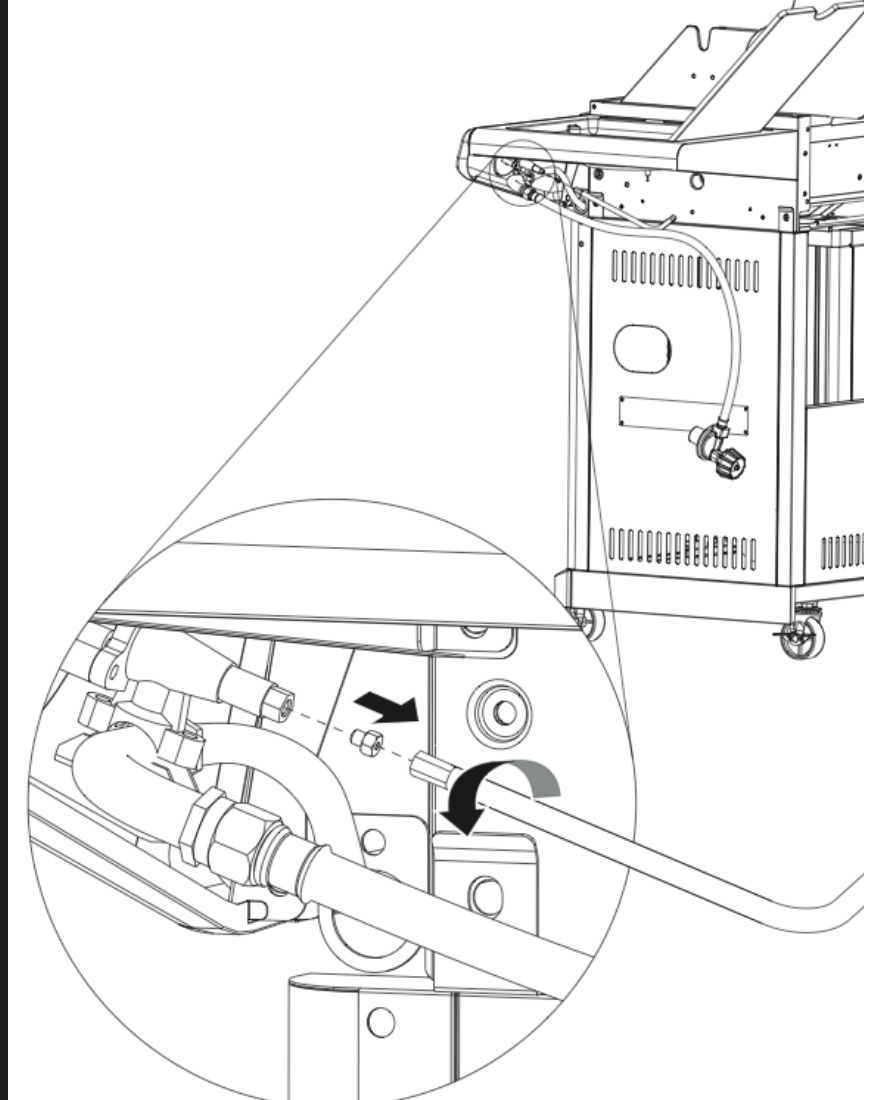
GBC1059WB-C / GBC1059WE-C / GBC1076WE-C

A  x 2

11

Remove Side Burner Orifice

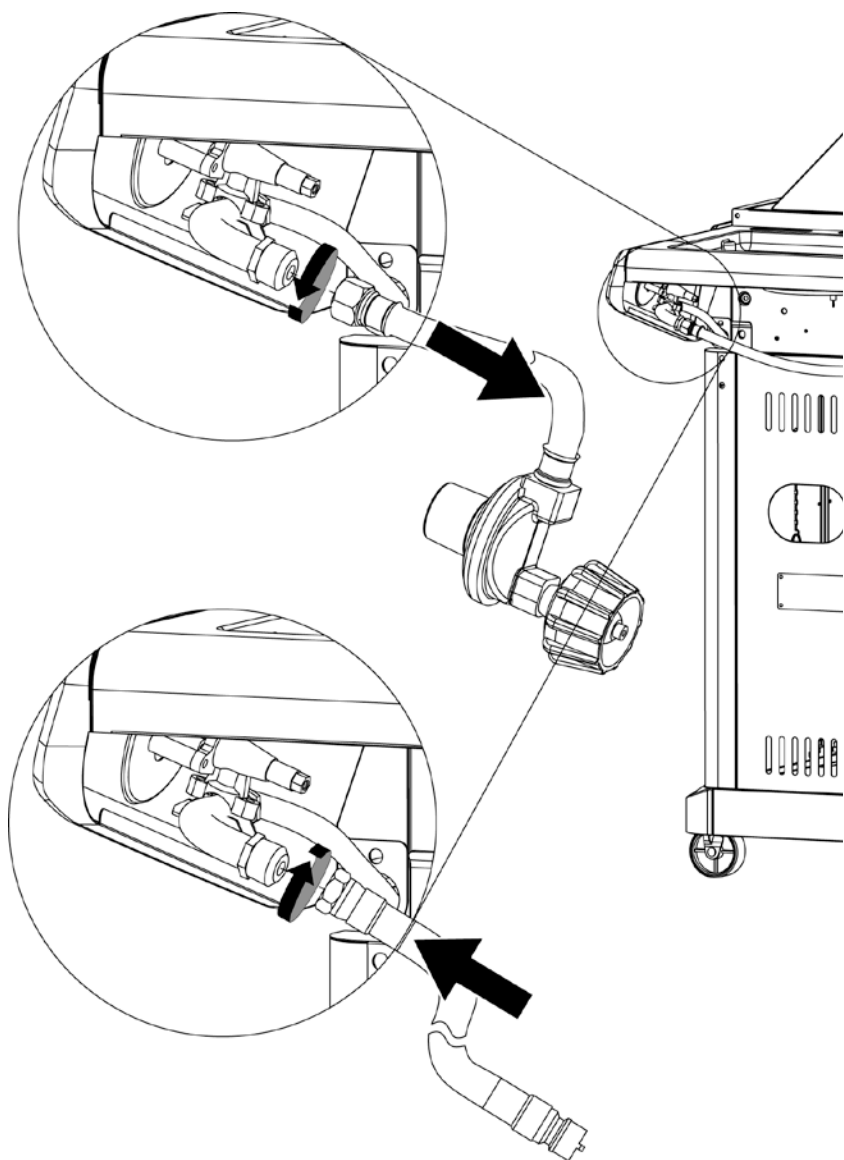
GBC1059WB-C / GBC1059WE-C / GBC1076WE-C



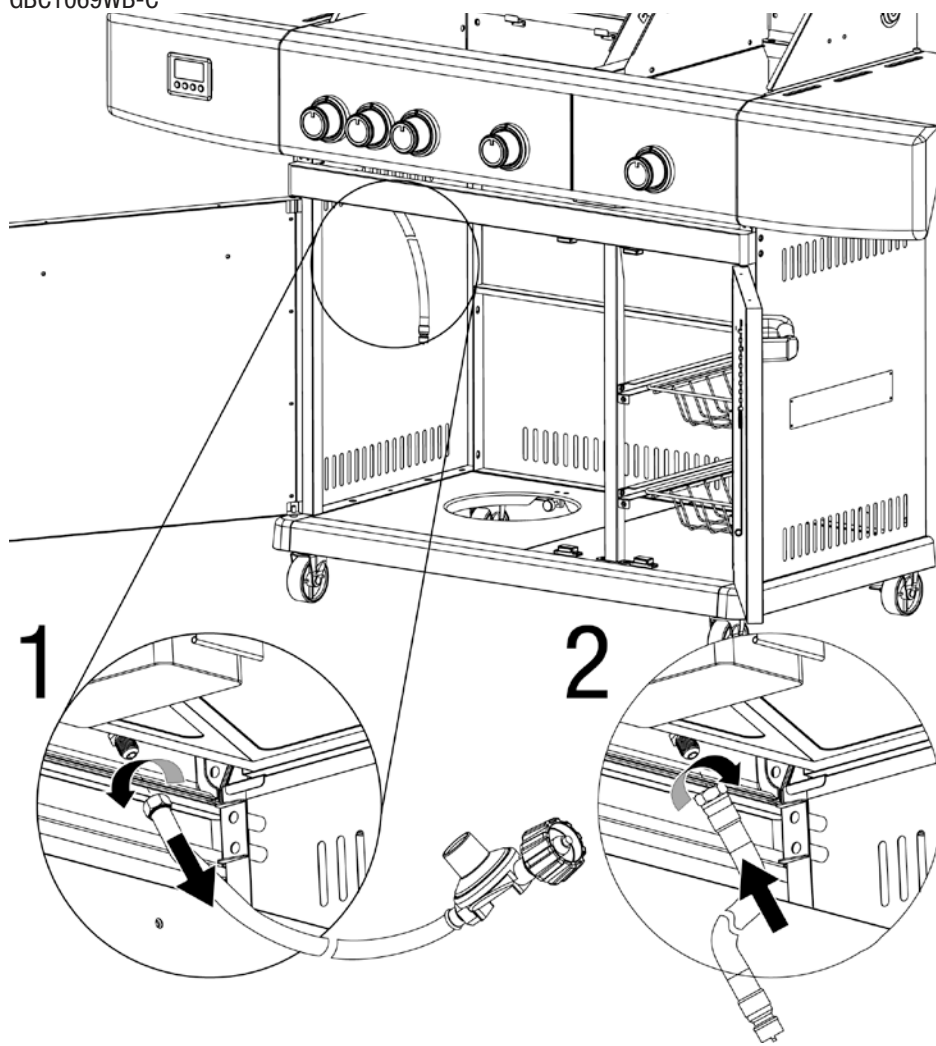
Conversion Instructions (continued)

12 Remove LP Gas Regulator/Hose Assembly and Attach Natural Gas Hose Assembly

GBC1059WB-C / GBC1059WE-C / GBC1076WE-C

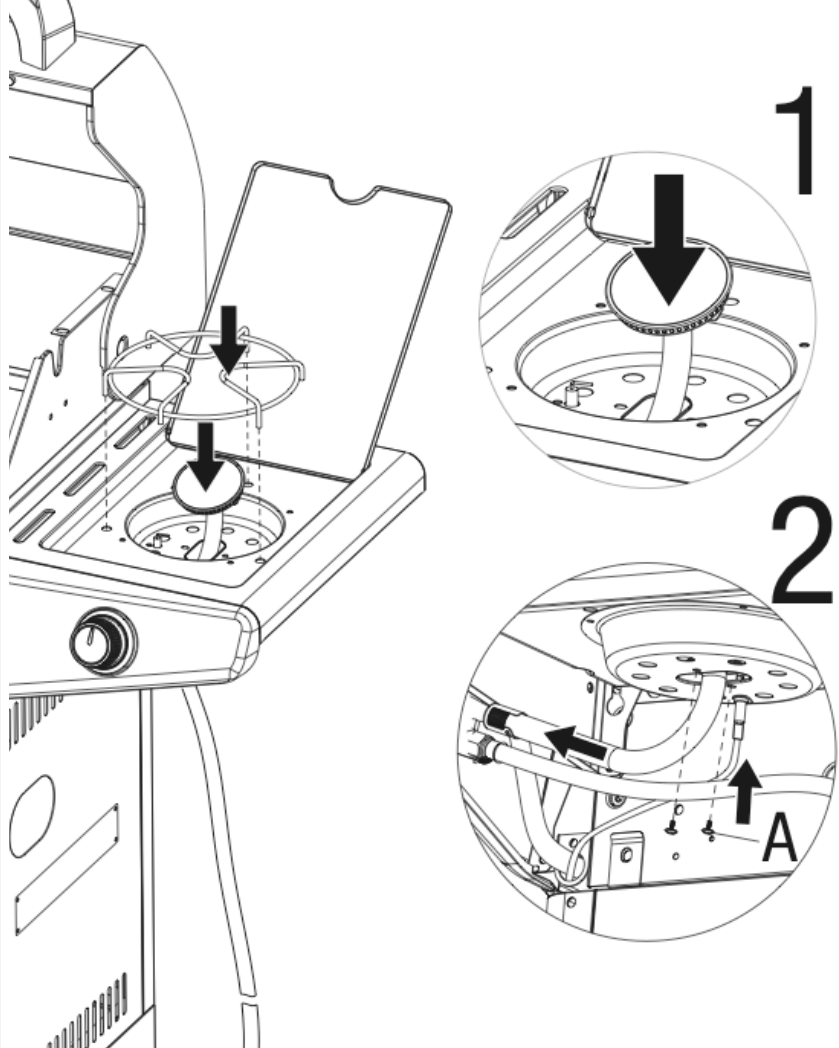


GBC1069WB-C



13 Attach Side Burner, Igniter Wire and Side Burner Grid

GBC1059WB-C / GBC1059WE-C / GBC1076WE-C



GBC1059WB-C / GBC1059WE-C / GBC1076WE-C

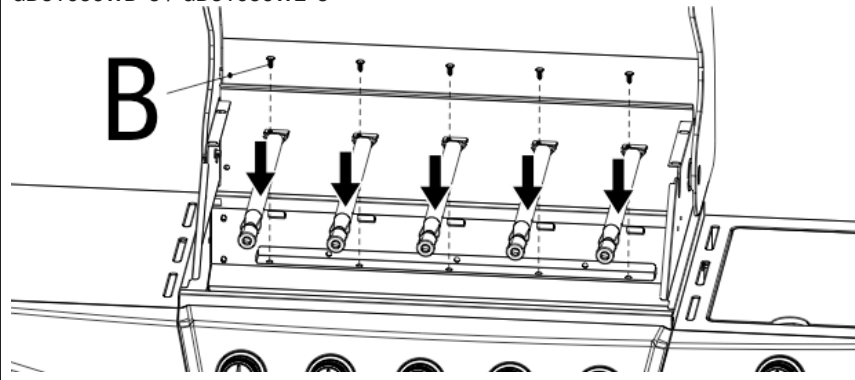
A x 2

Contact 1.800.762.1142 for assistance. Do not return to place of purchase.

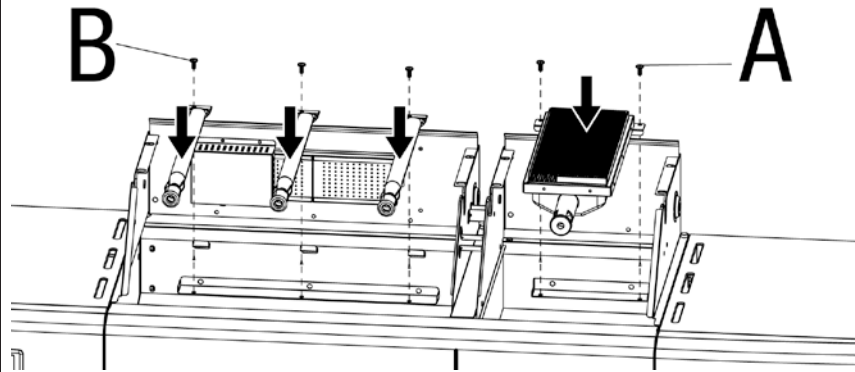
14

Attach Burners and Igniter Wires

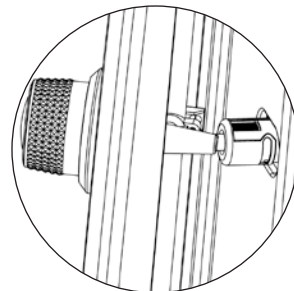
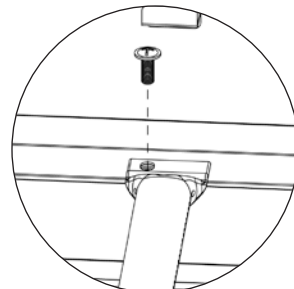
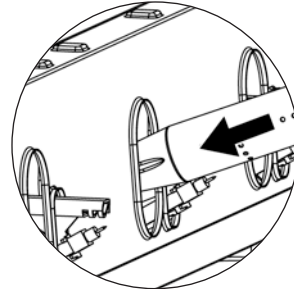
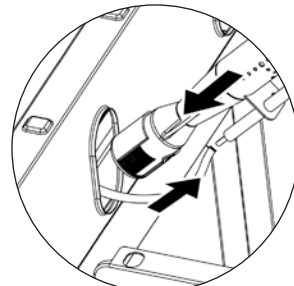
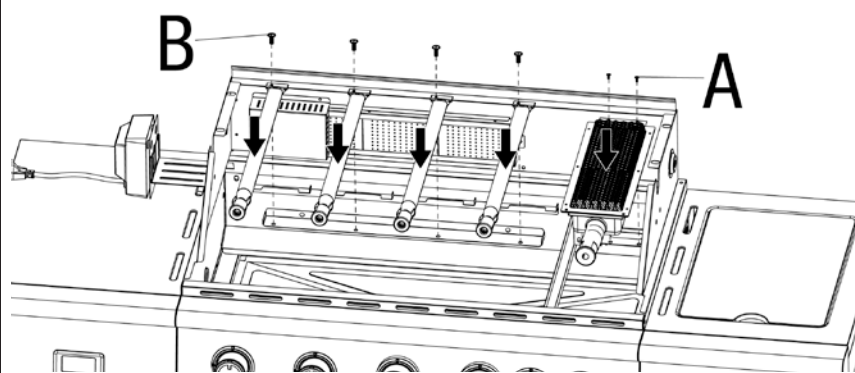
GBC1059WB-C / GBC1059WE-C



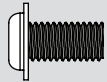
GBC1069WB-C



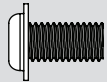
GBC1076WE-C



GBC1059WB-C

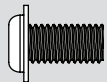
B  x 5

GBC1059WE-C

B  x 4

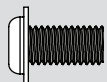
GBC1069WB-C

A  x 2

B  x 3

GBC1076WE-C

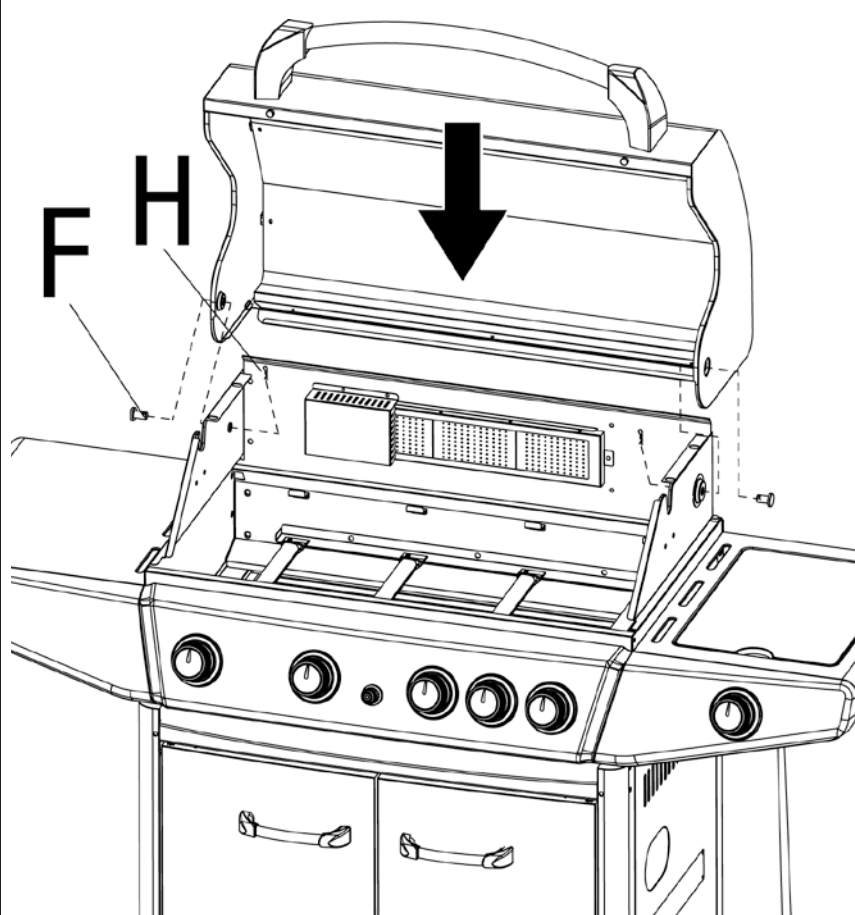
A  x 2

B  x 4

15

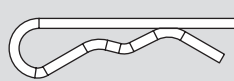
Attach Lid(s)

GBC1059WE-C / GBC1076WE-C

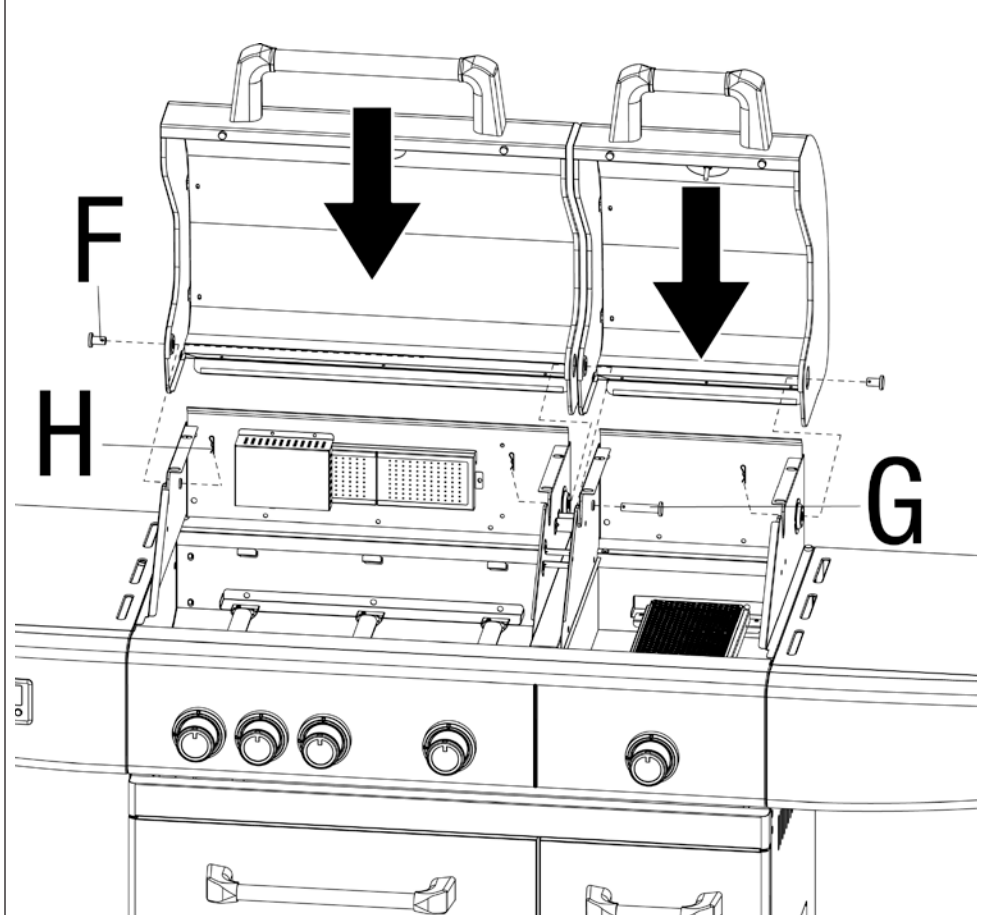


GBC1059WE-C / GBC1076WE-C

F  x 2

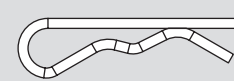
H  x 2

GBC1069WB-C



GBC1069WB-C

F  x 2

H  x 3

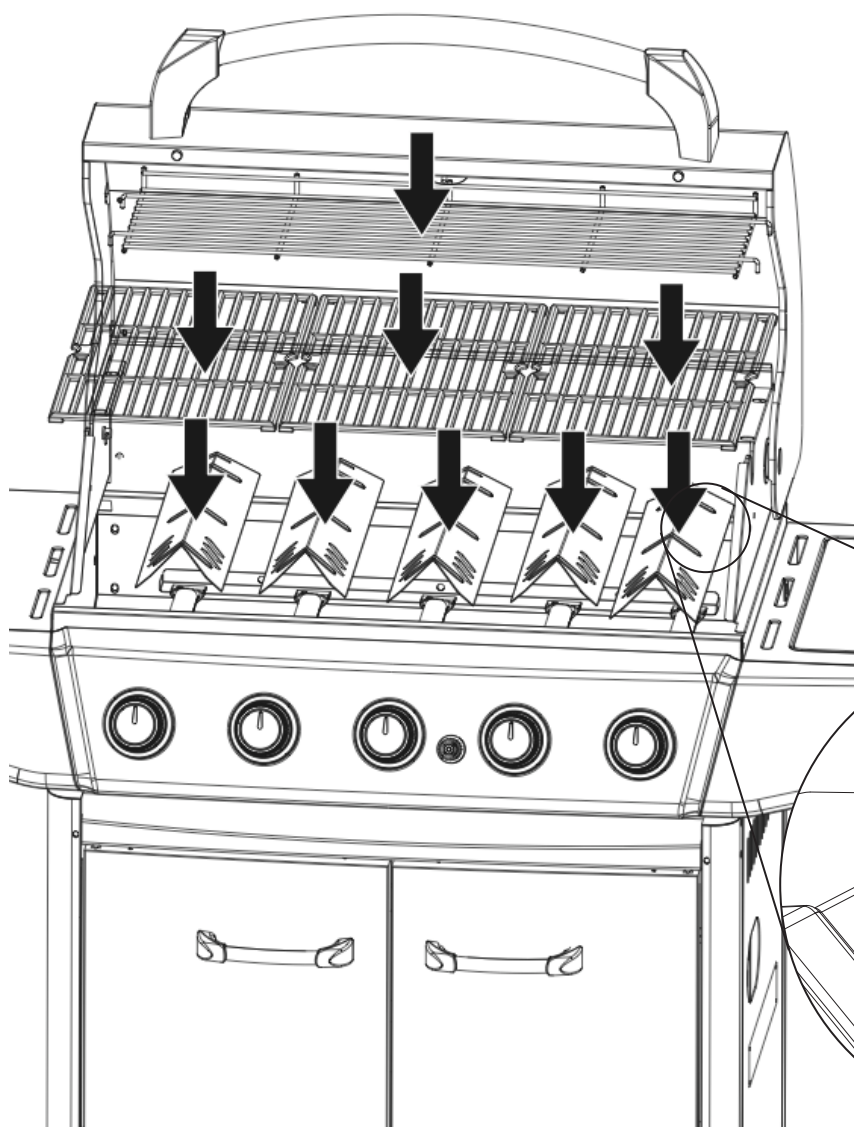
G  x 1

Conversion Instructions (continued)

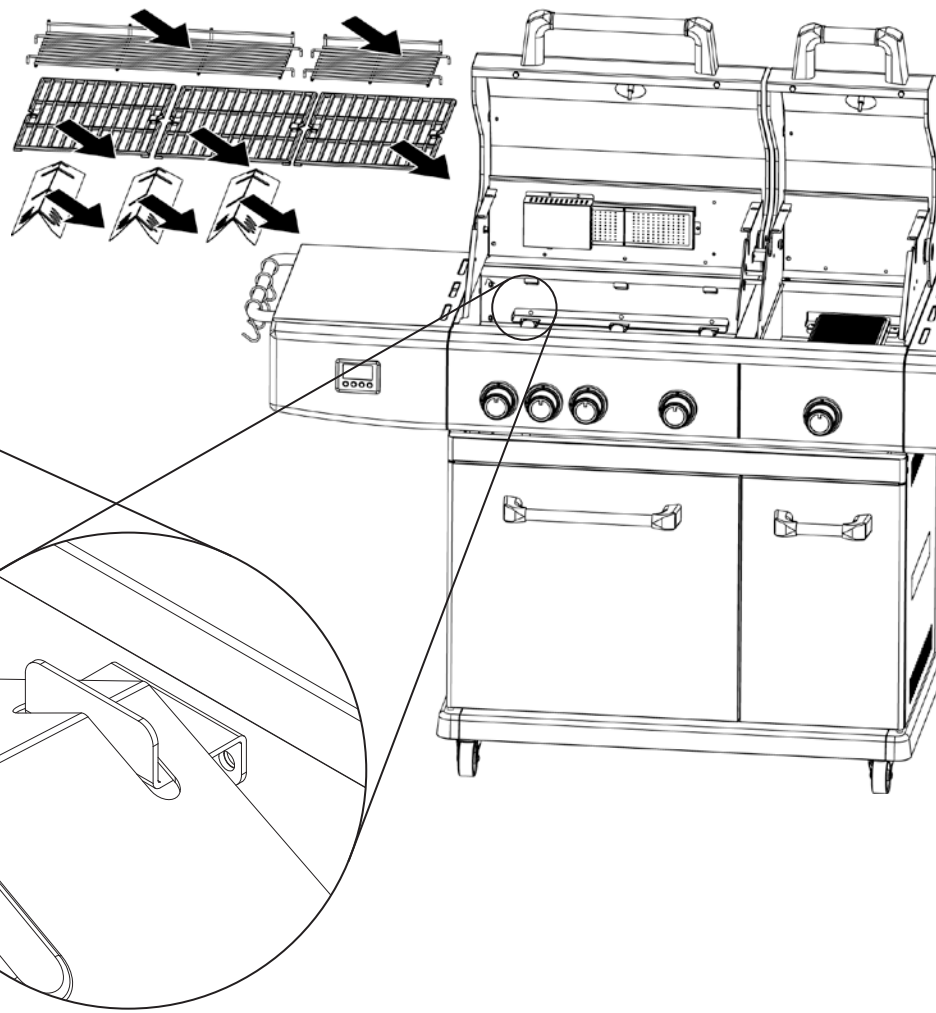
16

Insert Heat Plates, Cooking Grids and Warming Rack(s)

GBC1059WB-C / GBC1059WE-C / GBC1076WE-C



GBC1069WB-C



17

Perform a Leak Check



DANGER

If you smell gas -

1. Shut off gas to appliance.
2. Extinguish any open flame.
3. Open lid.
4. If odor continues, keep away from the appliance and immediately call your gas supplier or your fire department.

1. Do NOT operate if gas leak is present. Gas leaks may cause a fire or explosion.
2. You must follow all leak-checking procedures before operating. To prevent fire or explosion hazard when testing for a leak:
 - a. Always perform leak test before lighting the grill and each time natural gas line is connected.
 - b. No smoking. Do not use or permit sources of ignition in the area while conducting a leak test.
 - c. Conduct the leak test outdoors in a well-ventilated area.
 - d. Do NOT use matches, lighters or a flame to check for leaks.
 - e. Do NOT use grills until any and all leaks are corrected.

If you are unable to stop a leak, disconnect the natural gas supply. Call a gas appliance serviceman.

Installing Natural Gas Line

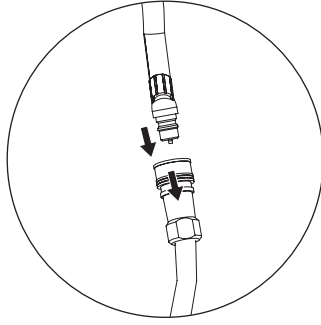
Installation should be done by a qualified service person.

CAUTION: If young children are in the area, a locking valve should be considered.

Connect Natural Gas Line

Before connecting, be sure that there is no debris caught in the head of the natural gas line, head of the grill natural gas line or in the head of the burner and burner ports.

Connect grill natural gas line to natural gas line.



Disconnect Natural Gas Line

Before disconnecting make sure the natural gas line valve is "OFF".

Disconnect grill natural gas line from natural gas line.

Operating Instructions

Checking for Leaks

See your grill's Owner's Manual for Instructions. If you do not have the owner's manual please call Customer Care at 1.800.762.1142 or visit www.bluerhino.com.

Burner Connections

1. Make sure the control valve and hose connections are securely fastened to the burner.

If your unit was assembled for you, visually check the connection between the burner venturi pipe and orifice. Make sure the burner venturi pipe fits over the orifice.

⚠ WARNING: Failure to inspect this connection or follow these instructions could cause a fire or an explosion which can cause death, serious bodily injury or damage to property.

2. Please refer to diagram for proper installation. (Figures 1, 2 and 4)
3. If the burner pipe does not rest flush to the orifice, please contact 1.800.762.1142 for assistance.

Gas Line Connection


1. Make 2-3 oz. of leak solution by mixing one part liquid dishwashing soap with three parts water.
2. Make sure control knobs are  (OFF) position. (Figure 3)
3. Connect natural gas line per "Installing Natural Gas Line" section.
4. Turn "ON" natural gas main valve.
4. Spoon leak check solution at all "X" locations (Figures 1, 2 and 4)
 - a. If any bubbles appear turn natural gas main valve "OFF", reconnect and re-test.
 - b. If you continue to see bubbles after several attempts, turn natural gas main valve "OFF" and disconnect natural gas line and contact 1.800.762.1142 for assistance.
 - c. If no bubbles appear after one minute turn natural gas main valve "OFF", wipe away solution and proceed.

Figure 1

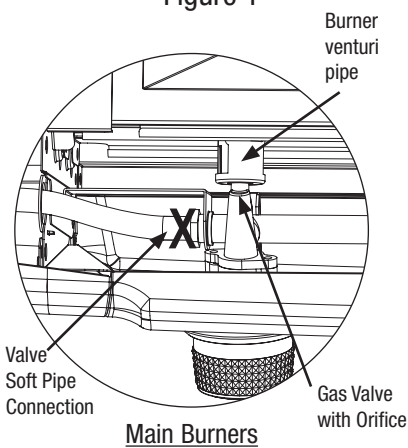


Figure 2

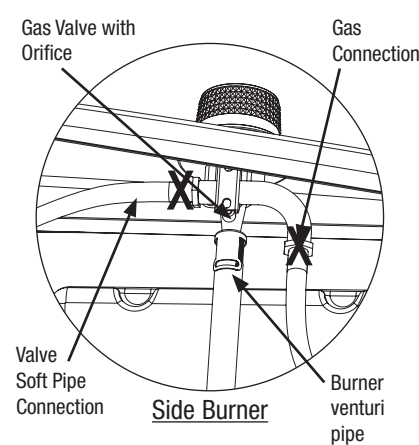
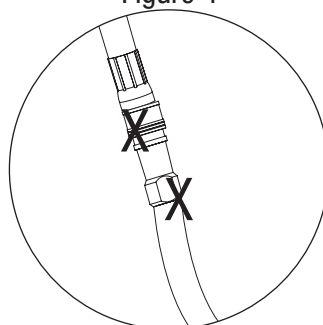


Figure 3



Figure 4



Operating Main Burners

See your grill's Owner's Manual for Instructions. If you do not have the owner's manual please call Customer Care at 1.800.762.1142 or visit www.bluerhino.com.

Operating Infrared Sear Burner

See your grill's Owner's Manual for Instructions. If you do not have the owner's manual please call Customer Care at 1.800.762.1142 or visit www.bluerhino.com.

Operating Instructions (continued)

Operating Side Burner

See your grill's Owner's Manual for Instructions. If you do not have the owner's manual please call Customer Care at 1.800.762.1142 or visit www.bluerhino.com.

Operating Infrared Back Burner

See your grill's Owner's Manual for Instructions. If you do not have the owner's manual please call Customer Care at 1.800.762.1142 or visit www.bluerhino.com.

Cleaning and Care

See your grill's Owner's Manual for Instructions. If you do not have the owner's manual please call Customer Care at 1.800.762.1142 or visit www.bluerhino.com.

Limited Warranty

Blue Rhino Global Sourcing, Inc ("Vendor") warrants to the original retail purchaser of this product, and to no other person, that if this product is assembled and operated in accordance with the printed instructions accompanying it, then for a period of one (1) year from the date of purchase, all parts in such product shall be free from defects in material and workmanship. Vendor may require reasonable proof of your date of purchase. Therefore, you should retain your sales slip or invoice. This Limited Warranty shall be limited to the repair or replacement of parts, which prove defective under normal use and service and which Vendor shall determine in its reasonable discretion upon examination to be defective. Before returning any parts, you should contact Vendor's Customer Service Department using the contact information listed below. If Vendor confirms, after examination, a defect covered by this Limited Warranty in any returned part, and if Vendor approves the claim, Vendor will replace such defective part without charge. If you return defective parts, transportation charges must be prepaid by you. Vendor will return replacement parts to the original retail purchaser, freight or postage prepaid.

This Limited Warranty does not cover any failures or operating difficulties due to accident, abuse, misuse, alteration, misapplication, improper installation or improper maintenance or service by you or any third party, or failure to perform normal and routine maintenance on the product as set out in this owner's manual. In addition, the Limited Warranty does not cover damage to the finish, such as scratches, dents, discoloration, rust or other weather damage, after purchase.

This Limited Warranty is in lieu of all other express warranties. Vendor disclaims all warranties for products that are purchased from sellers other than authorized retailers or distributors, including the warranty of merchantability or the warranty of fitness for a particular purpose. VENDOR ALSO DISCLAIMS ANY AND ALL IMPLIED WARRANTIES, INCLUDING WITHOUT LIMITATION THE IMPLIED WARRANTIES OF MERCHANTABILITY AND FITNESS FOR A PARTICULAR PURPOSE. VENDOR SHALL NO LIABILITY TO PURCHASER OR ANY THIRD PARTY FOR ANY SPECIAL, INDIRECT, PUNITIVE, INCIDENTAL, OR CONSEQUENTIAL DAMAGES. Vendor further disclaims any implied or express warranty of, and assumes no responsibility for, defects in workmanship caused by third parties.

This Limited Warranty gives the purchaser specific legal rights; a purchaser may have other rights depending upon where he or she lives. Some jurisdictions do not allow the exclusion or limitation of special, incidental or consequential damages, or limitations on how long a warranty lasts, so the above exclusion and limitations may not apply to everyone.

Vendor does not authorize any person or company to assume for it any other obligation or liability in connection with the sale, installation, use, removal, return, or replacement of its equipment, and no such representations are binding on Vendor.

Blue Rhino Global Sourcing, Inc
Winston-Salem, North Carolina 27105 USA
1.800.762.1142



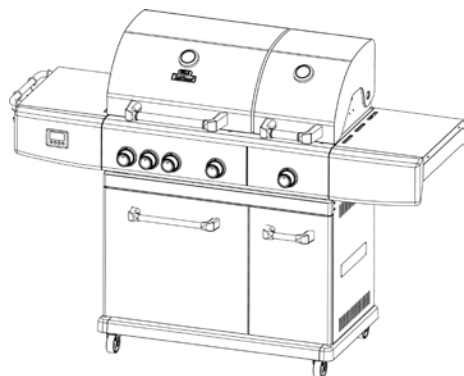
Trousse de conversion au gaz naturel pour



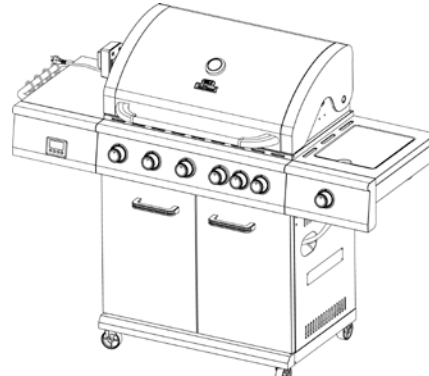
GBC1059WB-C / Gainesville



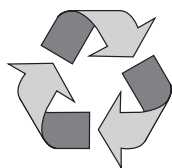
GBC1059WE-C / Gilmour



GBC1069WB-C / Jackson



GBC1076WE-C / Memphis



Fabriqué à partir de 70% de bagasse de canne à sucre (résidu de pulpe de canne à sucre sans danger pour l'environnement)

Cette trousse de conversion au gaz naturel peut être utilisée UNIQUEMENT avec les barbecues indiqués ci-dessus.



**AVERTISSEMENT
POUR VOTRE SÉCURITÉ:**

Pour usage à l'extérieur seulement
(hors de tout abri clos)



**AVERTISSEMENT
POUR VOTRE SÉCURITÉ:**

1. Toute installation défectueuse ou modification incorrecte ainsi que tout mauvais réglage ou entretien incorrect risque d'entraîner des blessures ou des dégâts matériels.
2. Lire complètement les instructions d'installation, d'utilisation et d'entretien avant de procéder à la maintenance de l'appareil ou à son entretien.
3. Le non-respect de ces consignes risque de provoquer un incendie ou une explosion et entraîner des dégâts matériels, des blessures graves voir la mort.
4. Ce manuel d'utilisation contient des consignes de sécurité indispensables au montage et au bon fonctionnement de l'appareil.
5. Lire et suivre toutes les mises en garde et instructions avant d'assembler et d'utiliser l'appareil.
6. Suivre toutes les mises en garde et instructions lors de l'utilisation de l'appareil.
7. Conserver ce manuel afin de pouvoir s'y référer ultérieurement.

Conservez ces instructions afin de pouvoir les consulter ultérieurement. Si vous êtes en train d'assembler cet appareil pour une autre personne, veuillez lui fournir le manuel afin qu'elle puisse le lire et le consulter plus tard.

Table of Contents

Consignes de sécurité importantes	Page 2
Vue éclatée des pièces et quincaillerie	3
Instructions de conversion	3
Installation de la conduite d'alimentation en gaz naturel	11
Brancher le tuyau de gaz naturel	11
Débrancher le tuyau de gaz naturel	11
Fonctionnement	11
Rechercher une fuite potentielle	11
Fonctionnement des brûleurs principaux	11
Fonctionnement du brûleur infrarouge pour saisir les aliments	11
Fonctionnement du brûleur latéral	11
Fonctionnement du brûleur arrière infrarouge	11
Nettoyage et entretien	11
Garantie limitée	11

L'utilisation et l'installation de cet appareil doivent être conformes aux codes locaux. En l'absence de codes locaux, suivez le *Code national du gaz combustible, les normes ANSI Z223.1/NFPA 54, le Code d'installation du gaz naturel et du propane, CAN/CGA-B149.1 ou le Code sur le stockage et la manipulation du propane, B149.2.*

L'installation doit être effectuée par du personnel qualifié.

Utiliser uniquement des pièces agréées de l'usine Blue Rhino Global Sourcing, Inc. L'emploi de toute pièce non agréée peut être dangereuse et entraînera l'annulation de la garantie.

DANGER



En cas d'odeur de gaz :

1. Fermer le robinet de gaz alimentant l'appareil.
2. Éteindre toute flamme.
3. Ouvrir le couvercle.
4. Si l'odeur persiste, s'éloigner de l'appareil et contacter immédiatement les pompiers.

Le non-respect de ces instructions risque de provoquer un incendie ou une explosion et d'entraîner des dégâts matériels, des blessures graves voire la mort.

AVERTISSEMENT

POUR VOTRE SÉCURITÉ:



Ne pas utiliser ni entreposer d'essence ou de liquides présentant des vapeurs inflammables dans le voisinage de cet appareil ou de tout autre appareil.

DANGER

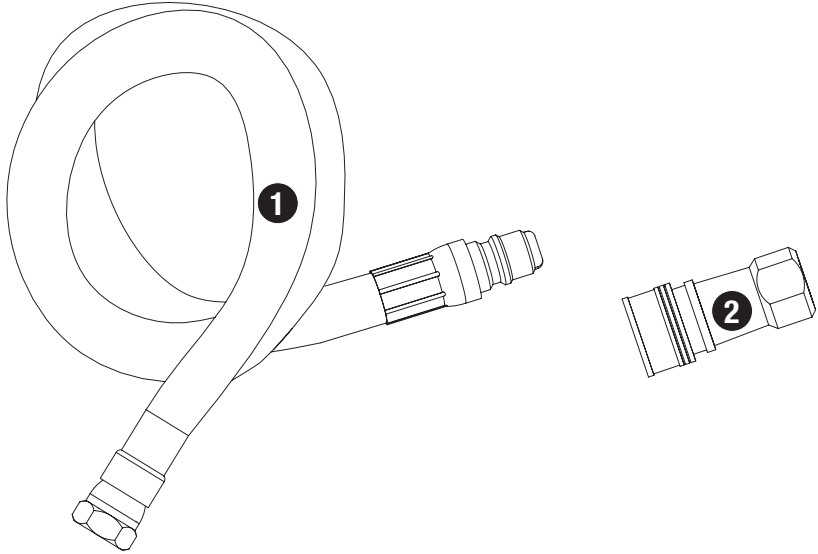


Ne jamais laisser un barbecue allumé sans surveillance.

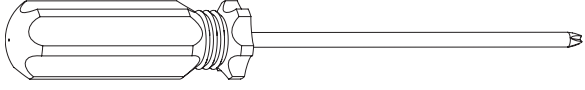
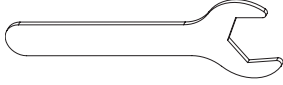
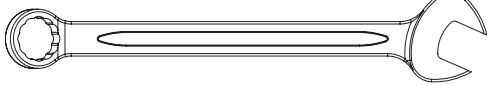
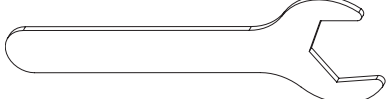
▲ DANGER: Le non-respect des avis de danger, des mises en garde et des consignes de sécurité de ce manuel risque de provoquer un incendie ou une explosion et d'entraîner des dégâts matériels, des blessures graves voire la mort.


▲ AVERTISSEMENT:

- ▲ L'installation et les réparations doivent être effectuées par du personnel qualifiée.
- ▲ Ce barbecue doit être utilisé uniquement à l'extérieur et ne doit pas être utilisé dans un immeuble, un garage ou tout autre espace clos.
- ▲ NE PAS utiliser ou allumer cet appareil à moins de dix (10) pieds (3 m) de tout mur, construction ou immeuble.
- ▲ Pour usage domestique seulement. Ce barbecue n'est PAS destiné à un usage commercial.
- ▲ Ce barbecue n'est pas sensé être utilisé pour se chauffer et ne devrait jamais être utilisé en tant que chauffage d'appoint. Des émanations TOXIQUES peuvent s'accumuler et provoquer l'asphyxie.
- ▲ Ce barbecue est homologué afin de pouvoir être utilisé en toute sécurité uniquement aux États-Unis et au Canada. Ne pas modifier ce barbecue afin de pouvoir l'utiliser autre part. Toute modification ou altération présentera un danger de fonctionnement.
- ▲ Avis aux personnes habitant en appartements : Vérifier auprès de la gérance pour connaître les conditions requises, la réglementation et le code de prévention des incendies de votre complexe d'habitations collectives. Si permis, utiliser le barbecue en le posant au sol en laissant une distance de sécurité de dix (10) pieds (3 m) entre le barbecue et toute structure. Ne pas utiliser sous un balcon.
- ▲ Caractéristiques du gaz naturel (GN) :
 - a. Le gaz naturel est un gaz inflammable et dangereux si ce dernier n'est pas manipulé correctement. Il est indispensable de connaître les dangers encourus avant d'utiliser tout appareil fonctionnant au gaz naturel.
 - b. Le gaz naturel est un gaz inflammable qui risque d'exploser sous pression.
 - c. Le gaz naturel à l'état naturel est inodore. Pour votre sécurité, un odorisant ayant l'odeur de choux avariés a été ajouté.
 - d. Tout contact du gaz naturel avec la peau risque d'entraîner des engelures.
- ▲ Ne pas introduire d'outil ni de corps étranger dans la sortie de la valve de gaz ni dans la soupape de sécurité. Vous risquez d'endommager la soupape et de provoquer une fuite. Toute fuite de gaz naturel risque de provoquer une explosion ou un incendie et d'entraîner des blessures graves voire la mort.
- ▲ Ne pas bloquer ni boucher les trous sur les côtés ou à l'arrière du barbecue.
- ▲ Fermer le robinet de gaz de la conduite principale d'alimentation en gaz naturel.
- ▲ Ne jamais entreposer une bouteille de propane de rechange sous ou à proximité de cet appareil.
- ▲ Ne jamais essayer de raccorder ce barbecue au circuit de propane d'une caravane, autocaravane ou de votre maison.
- ▲ La prise d'alcool, de médicaments ou de drogues risque de nuire à l'aptitude de l'utilisateur à assembler ou à utiliser cet appareil en toute sécurité.
- ▲ La présence de fortes odeurs, ou si l'utilisateur a un rhume ou des sinus bouchés, risque de nuire à la détection d'une fuite de gaz naturel. Faire preuve de précaution et de bon sens lors d'un test d'étanchéité et pour rechercher une fuite.
- ▲ Ne jamais utiliser de charbon de bois, de liquide allume-barbecue, de pierres de lave, d'essence, de kérosène, de pétrole lampant ou d'alcool avec ce barbecue.
- ▲ Votre barbecue a été vérifié en usine afin de s'assurer que les raccords ne présentent aucune fuite. Vérifier à nouveau tous les raccords en suivant les instructions du chapitre "Fonctionnement" du manuel car il est possible qu'ils se soient desserrés lors du transport.
- ▲ Vérifier que l'appareil ne présente aucune fuite même si ce dernier a été assemblé pour vous par quelqu'un d'autre.
- ▲ Ne pas utiliser le barbecue en cas de fuite de gaz. Toute fuite de gaz risque de provoquer un incendie ou une explosion.
- ▲ Il est obligatoire de suivre toutes les procédures de détection de fuite avant d'utiliser cet appareil. Afin d'éviter tout risque d'incendie et d'explosion lorsque l'on recherche une fuite :
 - a. Vérifier que le circuit ne présente pas de fuite en effectuant un "test d'étanchéité" avant d'allumer le barbecue à chaque fois que le tuyau de gaz est branché.
 - b. Interdiction de fumer. Ne pas utiliser ni laisser de sources d'ignition à proximité du barbecue lorsque l'on recherche une fuite.
 - c. Effectuer le test d'étanchéité en plein air, dans un emplacement bien aéré.
 - d. Ne pas utiliser d'allumettes, de briquets ou de flamme nue afin de rechercher une fuite.
 - e. Ne pas utiliser le barbecue avant d'avoir réparé toute les fuites. S'il s'avère impossible d'arrêter une fuite, fermer le robinet de gaz de la conduite principale d'alimentation en gaz naturel. Contacter un réparateur ou votre compagnie du gaz.
- ▲ Cet appareil et son robinet d'arrêt doivent être débranchés de la tuyauterie d'alimentation de gaz à chaque fois qu'un test de pression de la tuyauterie est effectué à une pression excédant 1/2 psi (3,5 kpa).
- ▲ Cet appareil doit être isolé de la tuyauterie d'alimentation de gaz en fermant le robinet d'arrêt manuel lors de toute vérification de pression de la tuyauterie d'alimentation de gaz à des pressions d'essai égales ou inférieures à 1/2 psi (3,5 kpa).
- ▲ Ce barbecue a été mis au point pour pouvoir fonctionner avec la pression d'alimentation suivante : 7 po. (18 cm) de colonne d'eau.
- ▲ Ne pas utiliser ni entreposer d'essence ou de liquides aux vapeurs inflammables à moins de 7,6 m de cet appareil.
- ▲ Ne pas utiliser le barbecue en présence de vapeurs et émanations explosives. Veiller à ce que la zone autour du barbecue demeure dégagée et dépourvue de matières combustibles, d'essence et d'autres liquides aux vapeurs inflammables.
- ▲ S'assurer que toute matière combustible se trouve toujours à une distance de sécurité minimum de 36 po. (92 cm) sur les côtés et derrière le barbecue. NE PAS utiliser ce barbecue sous un toit ou une structure quelconque suspendue, en saillie ou en surplomb au dessus du barbecue.
- ▲ Il est primordial que le compartiment de la soupape de commande du barbecue, les brûleurs et les passages par où l'air circule demeurent propres. Vérifier le barbecue avant chaque utilisation.
- ▲ Ne modifier en aucune façon le barbecue. Toute modification ou altération entraînera l'annulation de la garantie.
- ▲ Ne pas utiliser le barbecue à moins qu'il ne soit COMPLÈTEMENT assemblé et que les pièces ne soient toutes fixées et serrées.
- ▲ Ne pas placer ce type de barbecue dans un espace où le barbecue sera encastré. Le non respect de cette mise en garde risque de provoquer une explosion ou un incendie et d'entraîner des dégâts matériels, des blessures graves voire la mort.
- ▲ Ce barbecue doit être vérifié et nettoyé en entier régulièrement. Nettoyer et inspecter le tuyau à chaque fois, avant d'utiliser l'appareil. En cas d'abrasion, d'usure, de coupures ou de fuite, le tuyau doit être remplacé avant que cet appareil ne soit mis en fonctionnement.
- ▲ Utiliser uniquement le régulateur et le tuyau fournis. Le régulateur et le tuyau de rechange doivent être ceux spécifiés par le fabricant.
- ▲ Utiliser uniquement des pièces agréées de l'usine Blue Rhino Global Sourcing, Inc. L'emploi de toute pièce non agréée peut être dangereuse et entraînera l'annulation de la garantie.
- ▲ Ne pas utiliser cet appareil avant de lire le chapitre « Fonctionnement » de ce manuel.
- ▲ Ne pas toucher les pièces métalliques du barbecue avant qu'il n'ait complètement refroidi (attendre environ 45 minutes) afin de ne pas se brûler à moins de porter des vêtements de protection (gants, maniques, attirail de barbecue, etc.).
- ▲ Ne pas installer ni utiliser cet appareil à bord d'un bateau ou d'un véhicule récréatif.
- ▲ Lors de la cuisson, conserver toujours à portée de main des articles ou matières capables d'éteindre le feu. En cas de feu de graisse, ne tentez pas d'éteindre le feu avec de l'eau. Utiliser un extincteur à poudre BC ou étouffez le feu avec de la terre, du sable ou du bicarbonate de soude.
- ▲ Ne pas utiliser le barbecue par grand vent.
- ▲ Ne jamais se pencher au-dessus du barbecue pour l'allumer.
- ▲ Ne jamais laisser un barbecue allumé sans surveillance surtout si des enfants ou des animaux domestiques et de compagnie sont à proximité.
- ▲ Ne pas placer de récipient vide sur le barbecue lorsqu'il est allumé.
- ▲ Faire preuve de précautions au moment de placer quelque chose sur le barbecue lorsqu'il est allumé.
- ▲ Ne pas essayer de déplacer le barbecue quand il est allumé. Laisser le barbecue refroidir avant de le déplacer ou de le remiser.
- ▲ Le tuyau de gaz naturel doit être débranché et retiré avant de déplacer le barbecue.
- ▲ Le remisage du barbecue à l'intérieur est autorisé seulement si le tuyau de gaz naturel a été débranché et retiré de l'appareil et correctement entreposé à l'extérieur.
- ▲ Veiller à toujours ouvrir le couvercle du barbecue lentement et avec précaution car la chaleur et la vapeur piégées à l'intérieur risquent de provoquer de graves brûlures.
- ▲ Ne pas tenter de débrancher le régulateur de gaz du raccord de l'alimentation du gaz lorsque le barbecue est allumé.
- ▲ Placer toujours le barbecue sur une surface plane et dure. Il est déconseillé de le placer sur de l'asphalte ou du bitume.
- ▲ Placer les tuyaux souples de gaz le plus loin possible des surfaces chaudes et de l'égouttage des graisses brûlantes.
- ▲ Veiller à ce que les câbles et cordons électriques demeurent toujours loin du barbecue lorsqu'il est chaud.
- ▲ Après une période de remisage ou si le barbecue n'a pas été utilisé pour une certaine période, s'assurer qu'il n'y a pas de fuite et que les brûleurs ne sont pas bouchés. Vérifier également que le tuyau ne présente pas de traces d'abrasion, d'usure ou de coupures.
- ▲ Le fait de ne pas maintenir le couvercle ouvert lors de l'allumage des brûleurs du barbecue ou de ne pas attendre 5 minutes afin que le gaz se dissipe au cas où le barbecue ne s'allume pas, risque de provoquer une flambée soudaine explosive.
- ▲ Ne jamais utiliser le barbecue sans avoir installé auparavant le diffuseur de chaleur.
- ▲ Veiller à toujours utiliser un thermomètre à viande afin de s'assurer que la nourriture est cuite à une température adéquate.
- ▲ Porter des gants de protection pour assembler cet article.
- ▲ Ne pas forcer les pièces les unes dans les autres afin d'éviter toute blessure et éviter d'endommager cet article.
- ▲ Ne jamais recouvrir complètement la zone de cuisson avec du papier d'aluminium.
- ▲ Les consignes ci-dessus doivent être strictement respectées et le non respect de ces consignes risque de provoquer des dégâts matériels ou d'entraîner des blessures graves voire la mort.

Liste des pièces		Vue éclatée
1	Tuyau souple pour gaz naturel 55-08-212	
2	Raccord rapide 55-10-339	

Quincaillerie (non fournie)		
A	Vis	Nickelée, tête bombée Phillips, M4x10
B	Vis	Nickelée, tête bombée Phillips, M6x10
C	Écrou	Nickelé, M4
D	Écrou	Nickelé, M12
E	Rondelle	Nickelée, ø4,2
F	Goupille	
G	Goupille	
H	Goupille fendue	

Pièces requises pour l'assemblage (non fournies)	
Tournevis cruciforme Phillips n°2	1 pc
	
Clé M10	1 pc
	
Clé M16	2 pcs
	
Clé M22	1 pc
	

Pièces requises pour l'assemblage (fournies)	
Clé	1 pc
	

Instructions de conversion

1 NE PAS RETOURNER AU MAGASIN AVEC CET ARTICLE.

Pour toute assistance technique, appelez le numéro sans frais **1.800.762.1142**. Faites en sorte que votre manuel d'utilisation et le modèle numéro soient à portée de main afin de pouvoir vous y référer.

Remarque: Le numéro du modèle se trouve au dos du chariot.

Pour faciliter la conversion:

- Pour éviter de perdre des petites pièces ou la quincaillerie d'installation, assemblez cet article sur une surface dure et plane qui ne comporte pas de trous ni de fissures.
- Prévoyez une surface de travail suffisamment grande afin d'étaler toutes les pièces et la quincaillerie d'installation.
- Lorsque nécessaire, serrez toute les fixations et la visserie en premier, puis une fois l'étape terminée, serrez-les complètement.
- Suivez toutes les étapes dans l'ordre afin d'assembler correctement cet article.

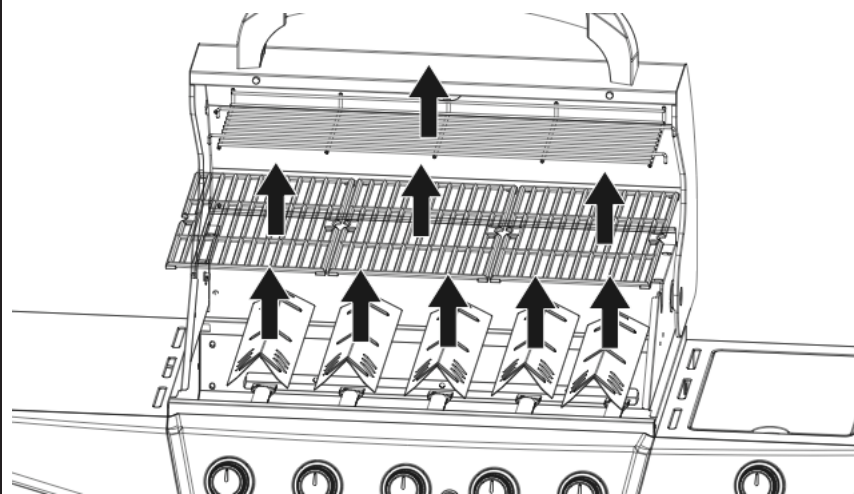
Pour effectuer la conversion, vous aurez besoin des choses suivantes:

- une (1) solution de détection de fuites (voir instructions sur la préparation de la solution au chapitre « Fonctionnement »).

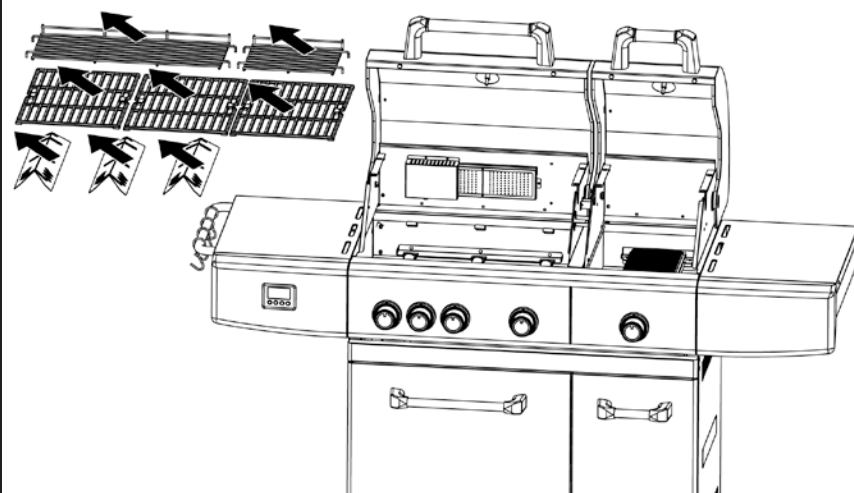
Temps de conversion: environ une (1) heure.

2 Retirer les grilles de réchauffage, les grilles de cuisson et les diffuseurs de chaleur

GBC1059WB-C / GBC1059WE-C / GBC1076WE-C



GBC1069WB-C

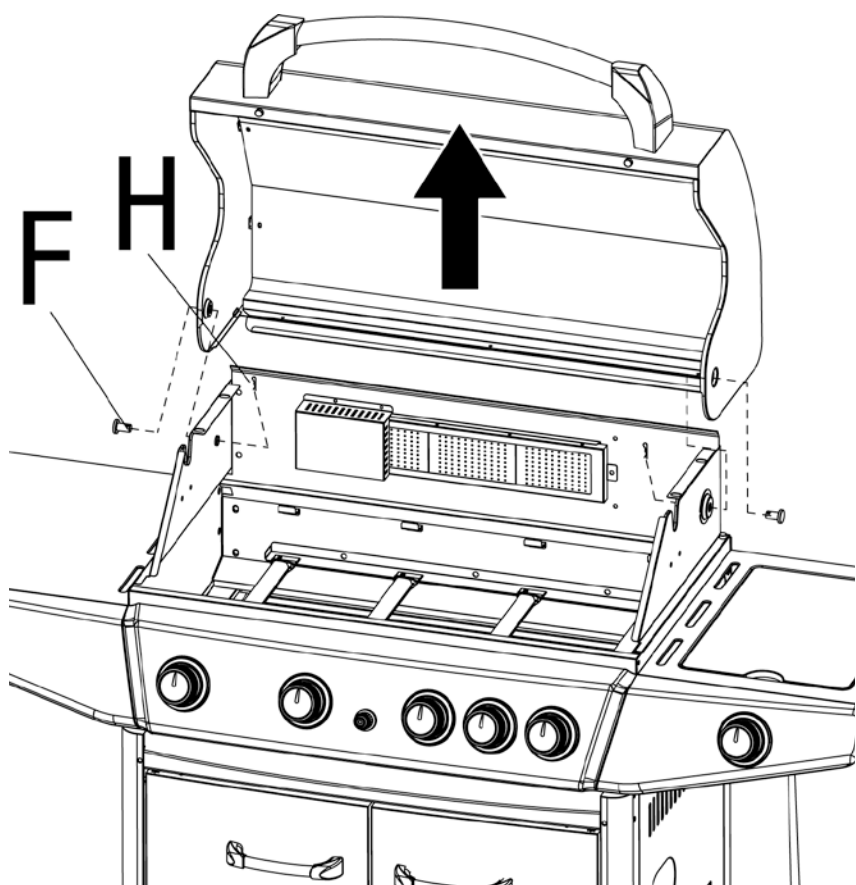


Instructions de conversion (suite)


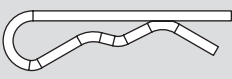
3

Retirer le(s) couvercle(s)

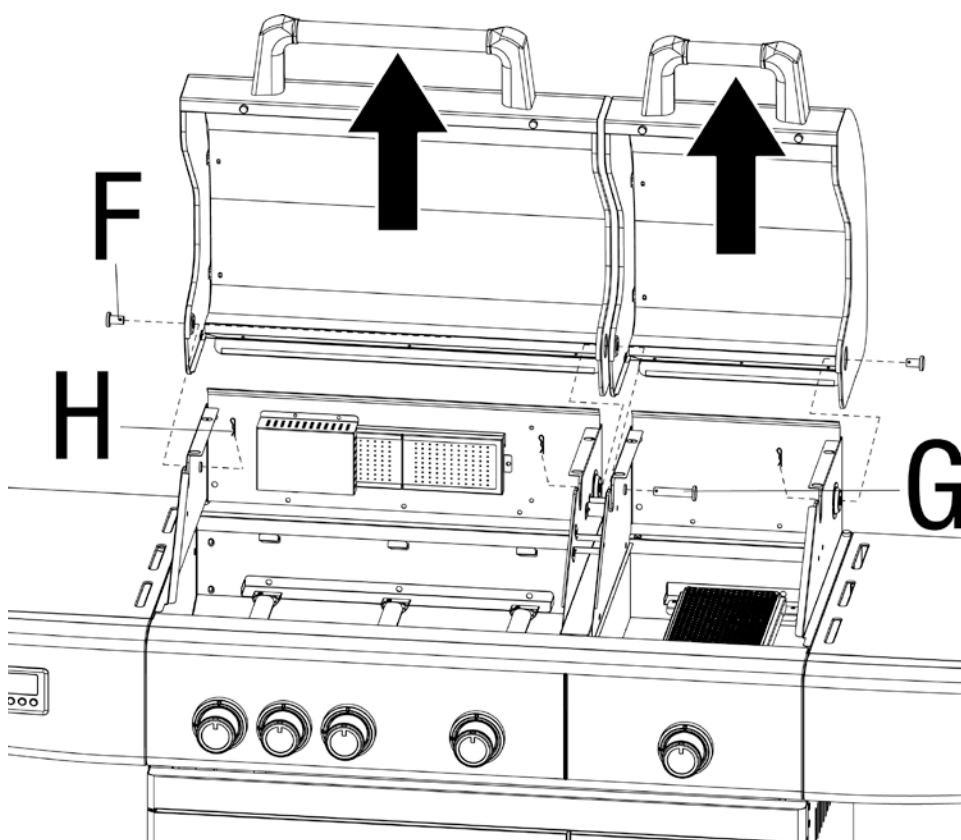
GBC1059WE-C / GBC1076WE-C




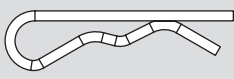

GBC1059WE-C / GBC1076WE-C

- F  x2 H  x2

GBC1069WB-C



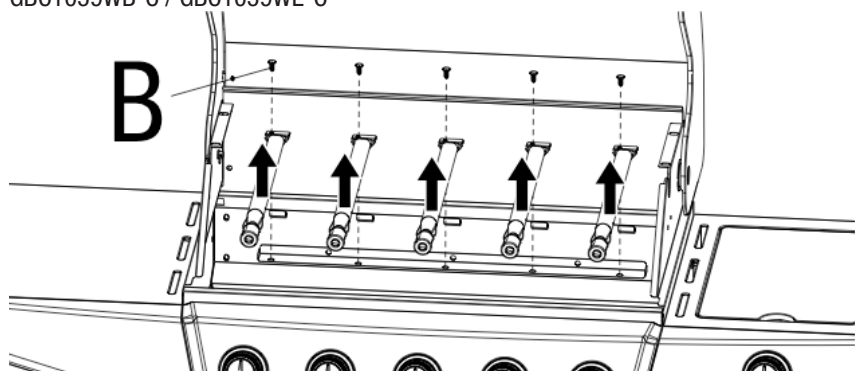
GBC1069WB-C

- F  x2 H  x3
G  x1

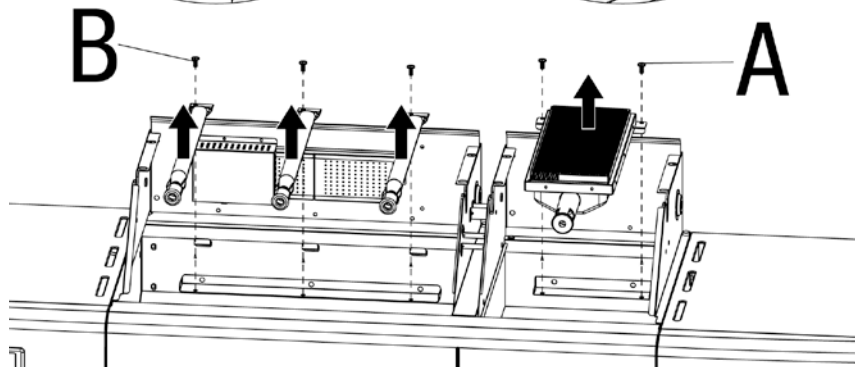
4

Retirer les brûleurs et les fils de l'allumeur

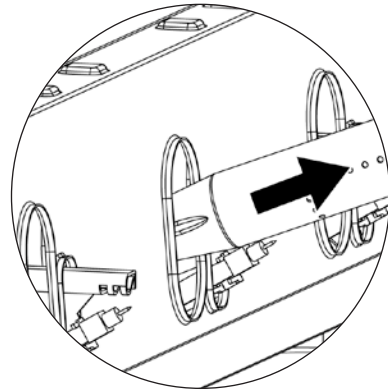
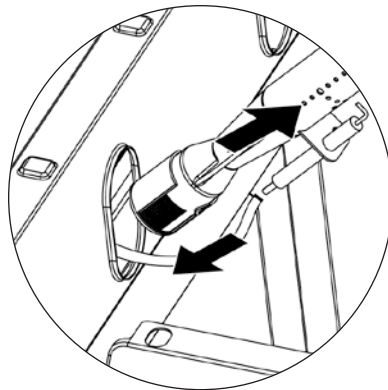
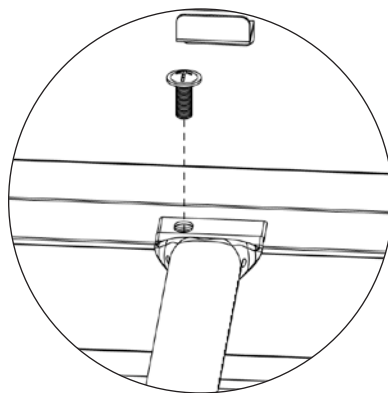
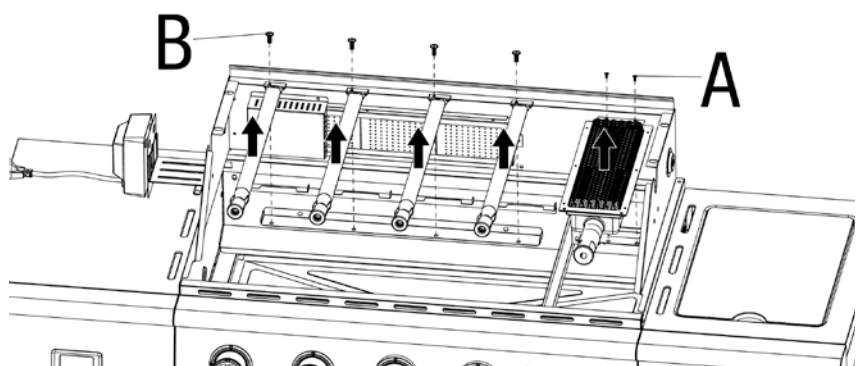
GBC1059WB-C / GBC1059WE-C



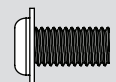
GBC1069WB-C



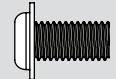
GBC1076WE-C



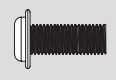
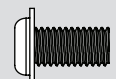
GBC1059WB-C

- B  x5

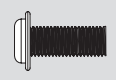
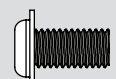
GBC1059WE-C

- B  x4

GBC1069WB-C

- A  x2
B  x3

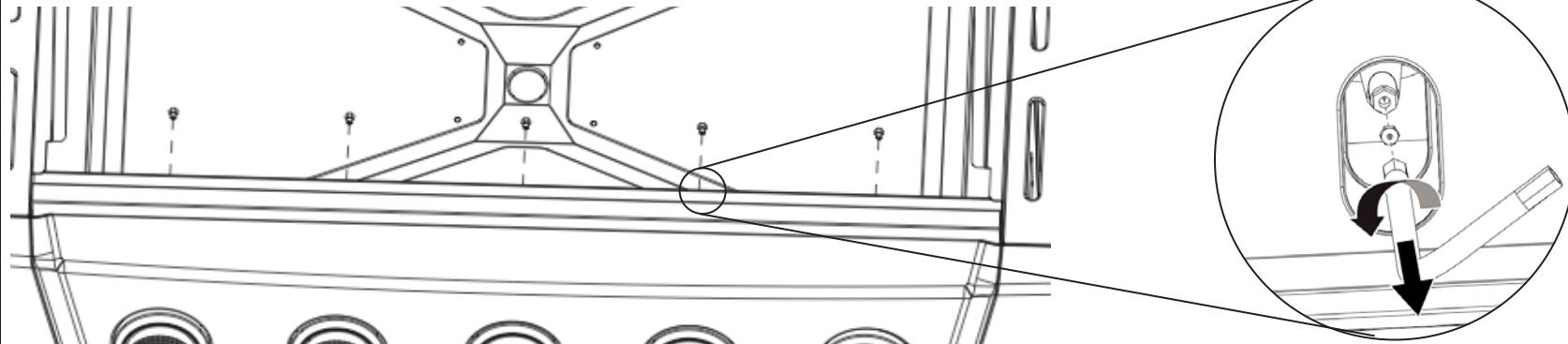
GBC1076WE-C

- A  x2
B  x4

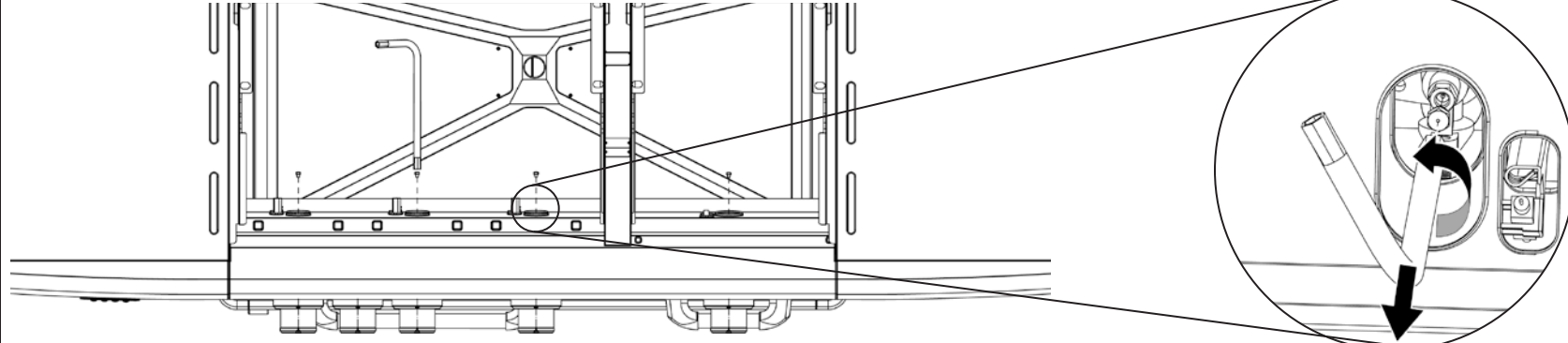
5

Retirer les pièces des orifices des brûleurs principaux

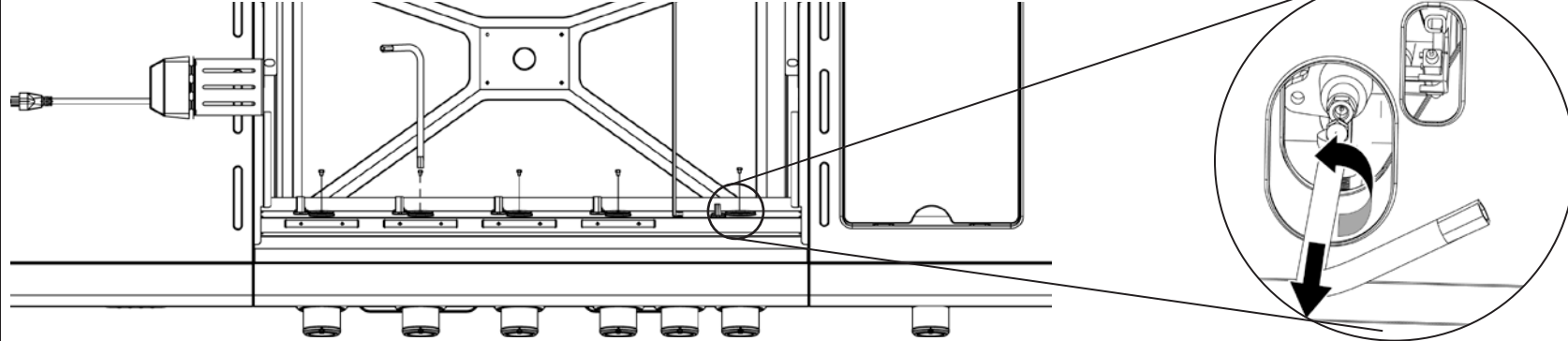
GBC1059WB-C / GBC1059WE-C



GBC1069WB-C



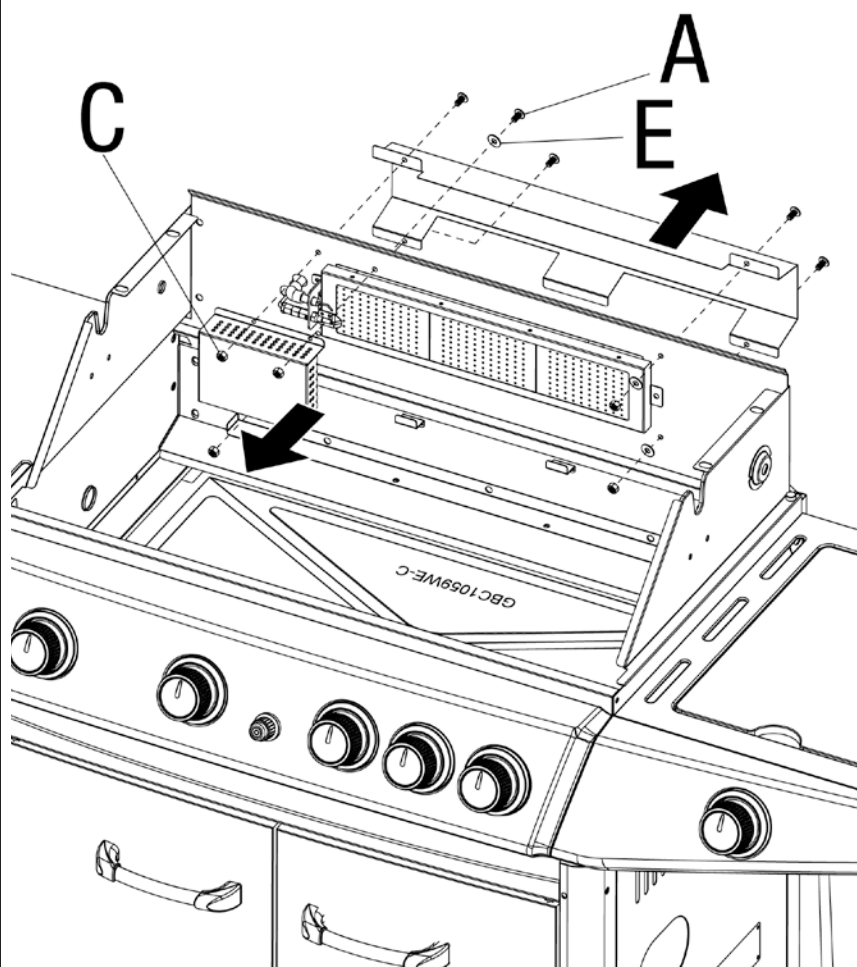
GBC1076WE-C



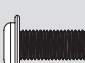


6

Retirer les protecteurs du brûleur arrière infrarouge

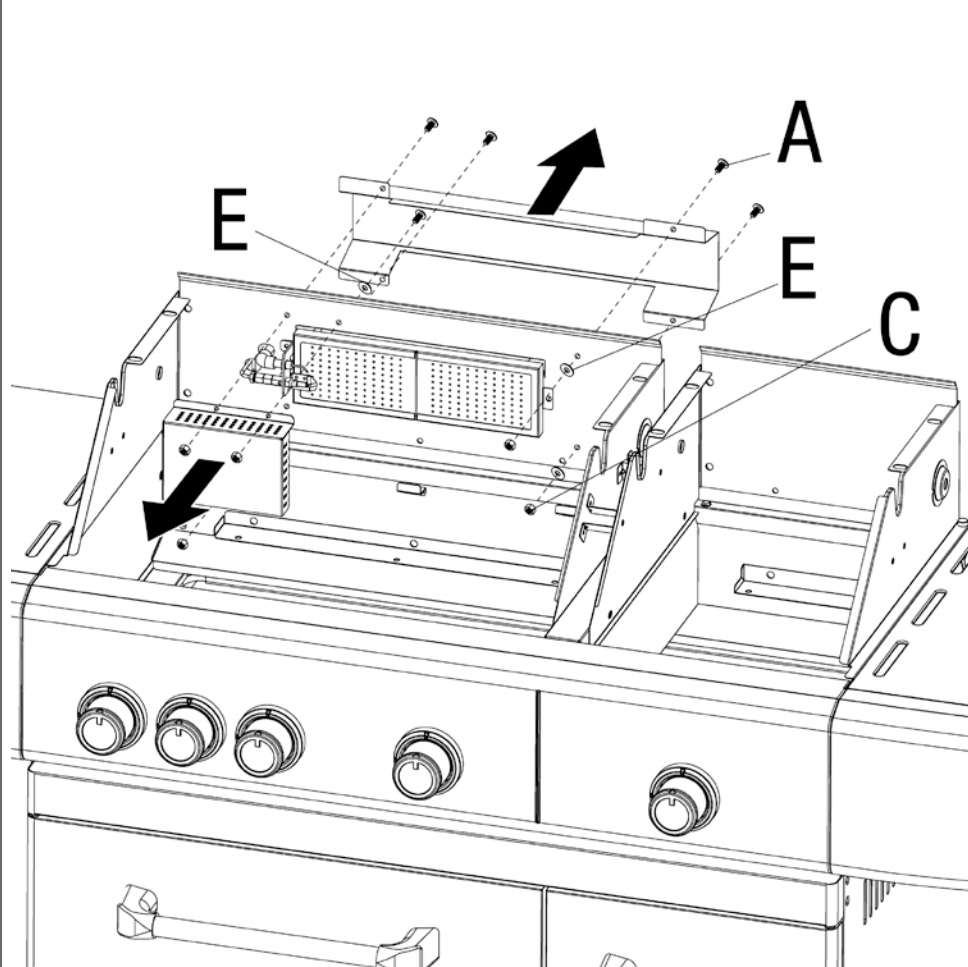
GBC1059WE-C / GBC1076WE-C



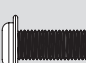


GBC1059WE-C / GBC1076WE-C

- A  x 5
- E  x 3
- C  x 5

GBC1069WB-C



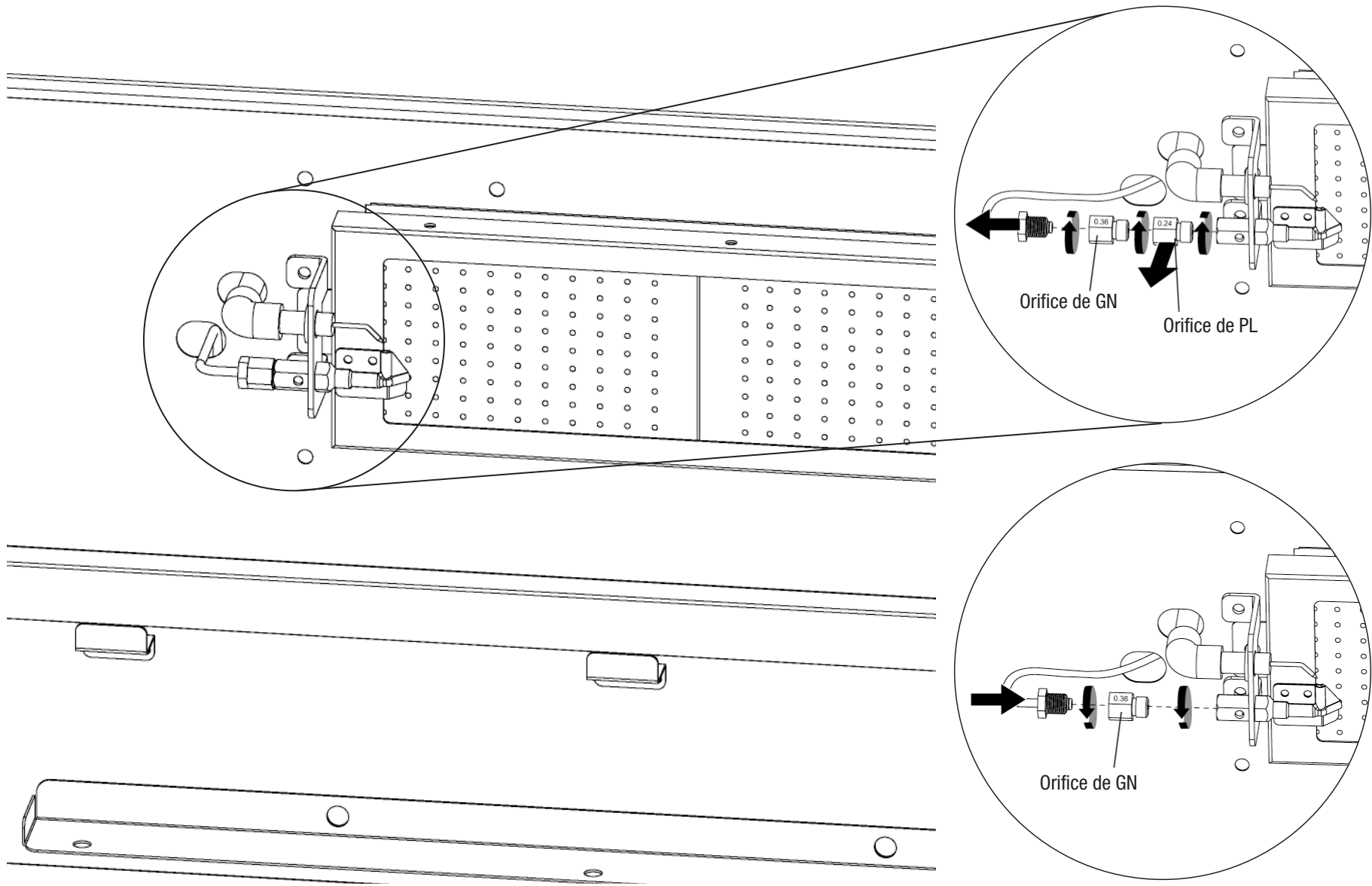
GBC1069WB-C

- A  x 5
- E  x 3
- C  x 5

Instructions de conversion (suite)

7 Retirer la pièce de l'orifice avant du brûleur arrière infrarouge

GBC1059WE-C / GBC1069WB-C / GBC1076WE-C

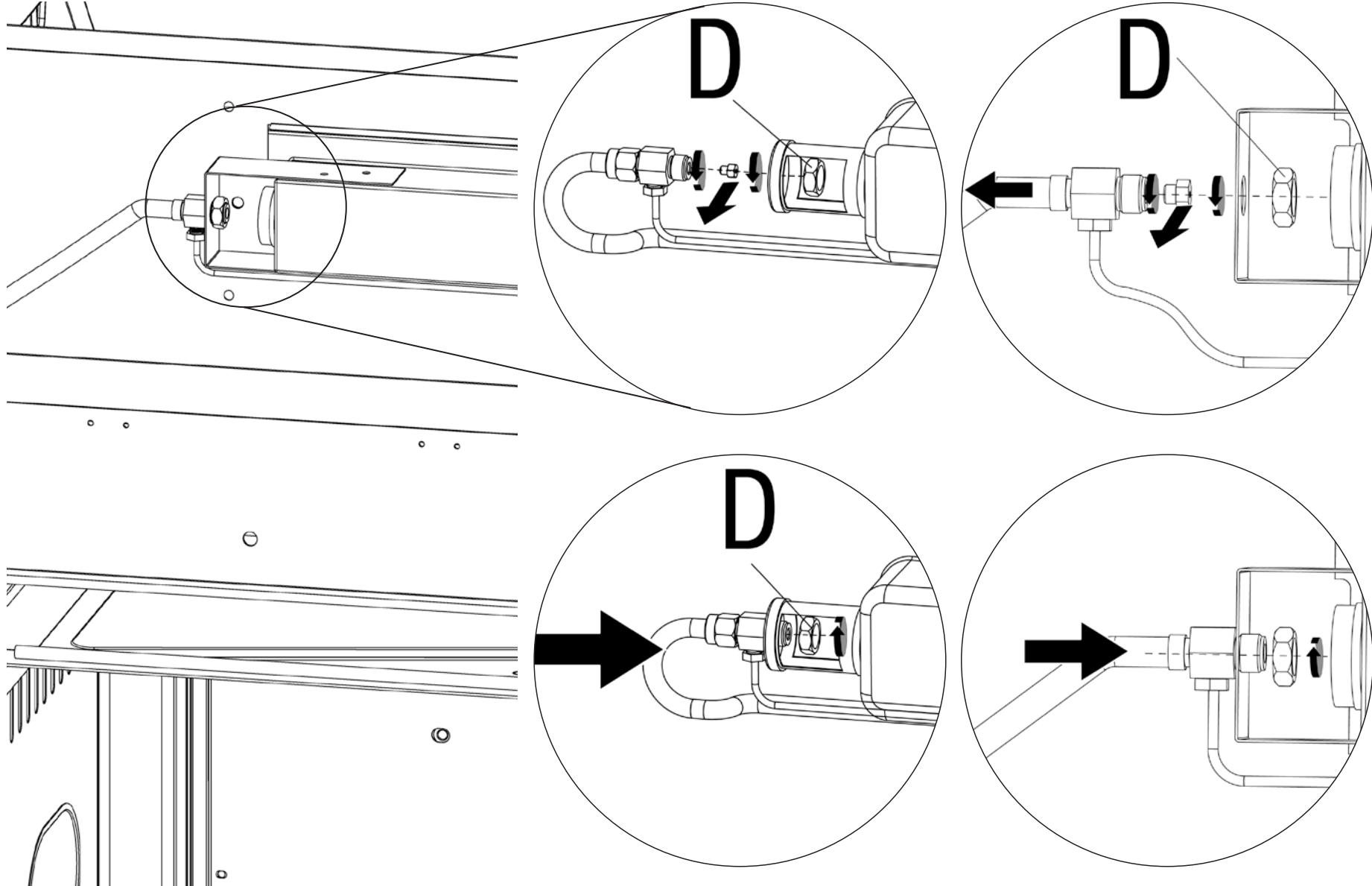


8 Retirer la pièce de l'orifice arrière du brûleur arrière infrarouge

GBC1059WE-C / GBC1069WB-C / GBC1076WE-C

GBC1069WB-C

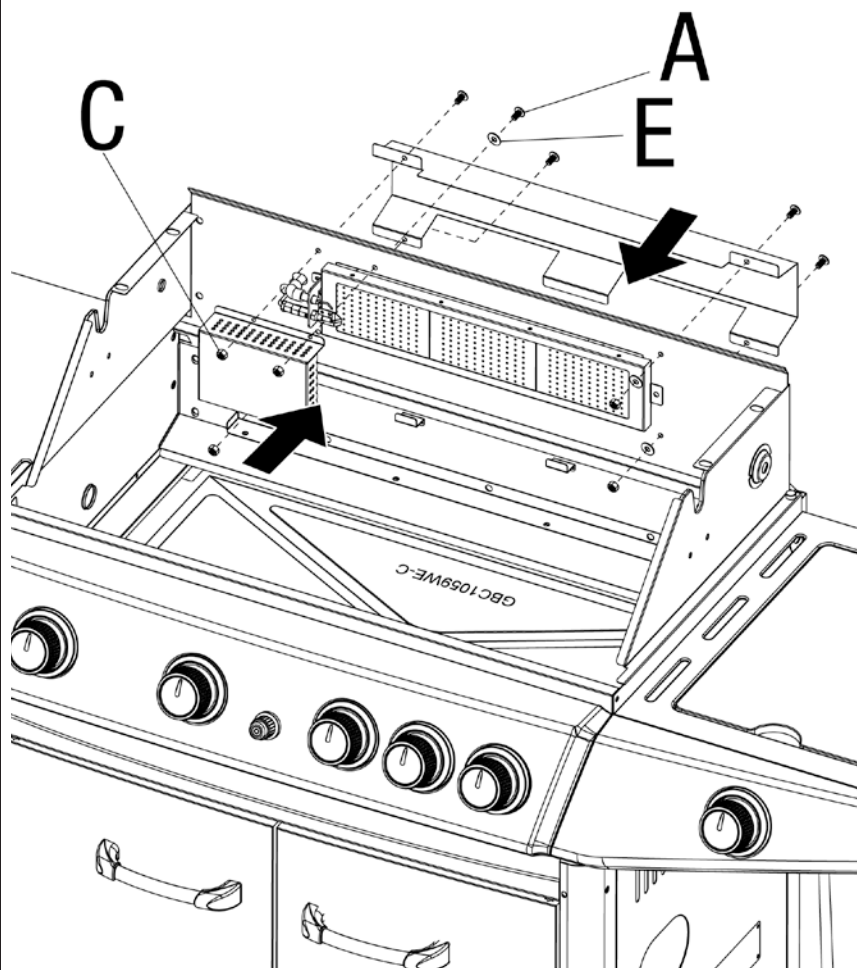
GBC1059WE-C / GBC1076WE-C



9

Fixer les protecteurs du brûleur arrière infrarouge

GBC1059WE-C / GBC1076WE-C



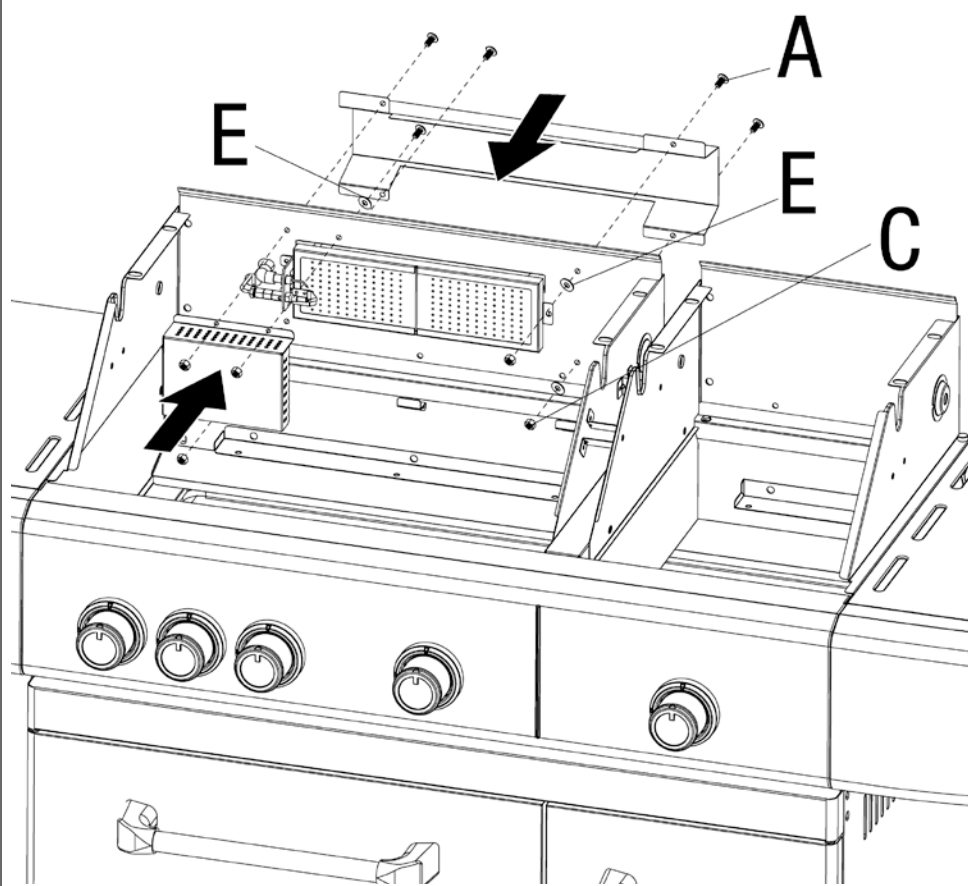
GBC1059WE-C / GBC1076WE-C

A  x 5

E  x 3

C  x 5

GBC1069WB-C



GBC1069WB-C

A  x 5

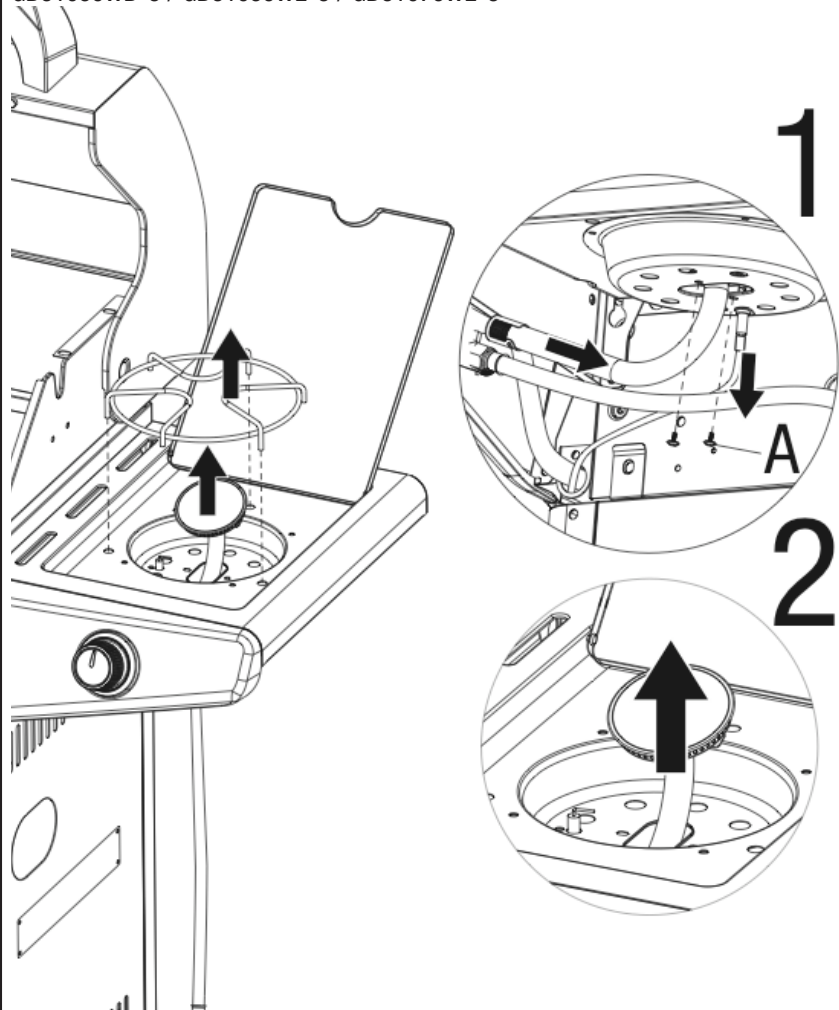
E  x 3

C  x 5

10

Retirer la grille du brûleur latéral, le fil de l'allumeur et le brûleur latéral

GBC1059WB-C / GBC1059WE-C / GBC1076WE-C



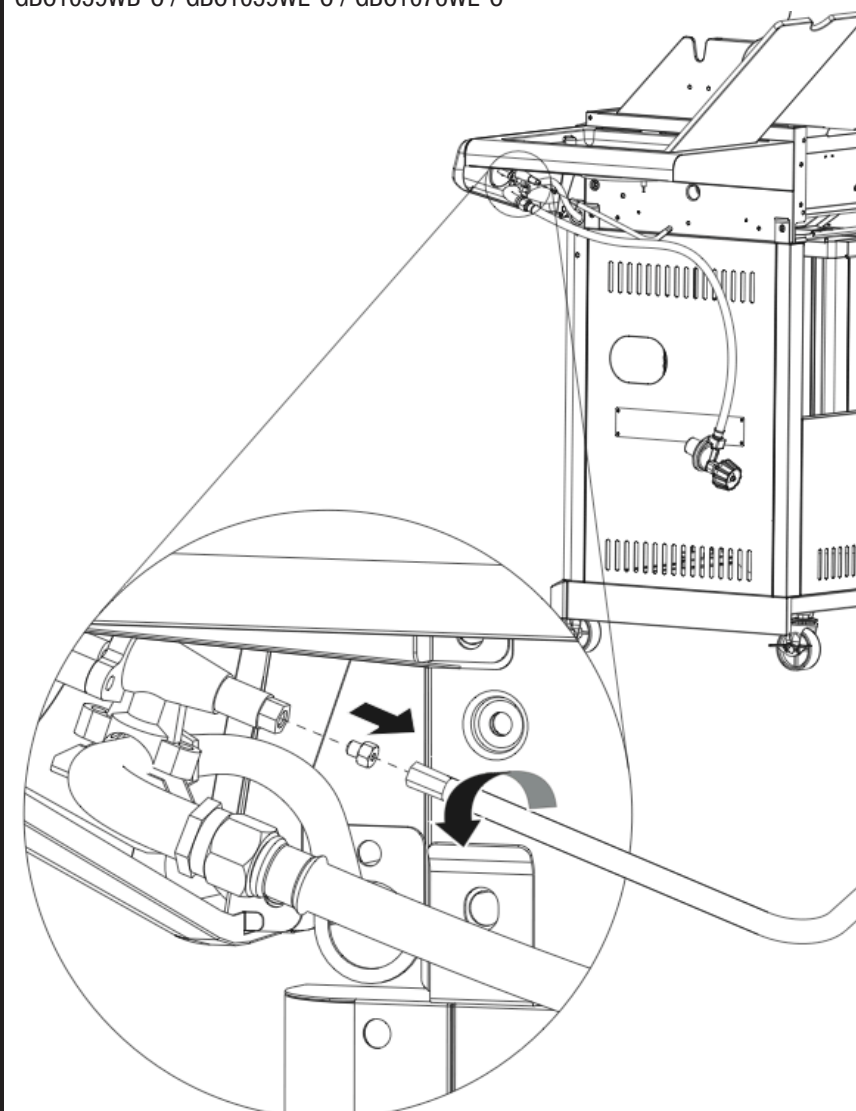
GBC1059WB-C / GBC1059WE-C / GBC1076WE-C

A  x 2

11

Retirer la pièce de l'orifice du brûleur latéral

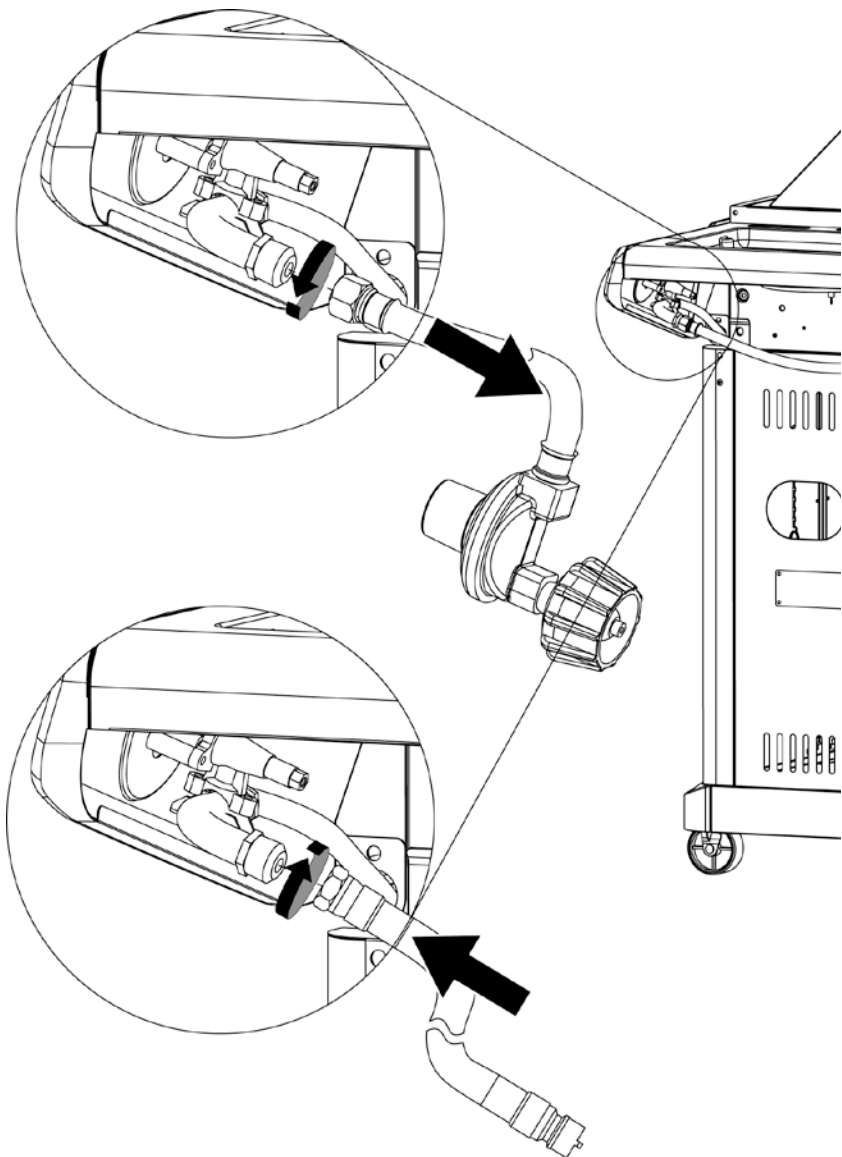
GBC1059WB-C / GBC1059WE-C / GBC1076WE-C



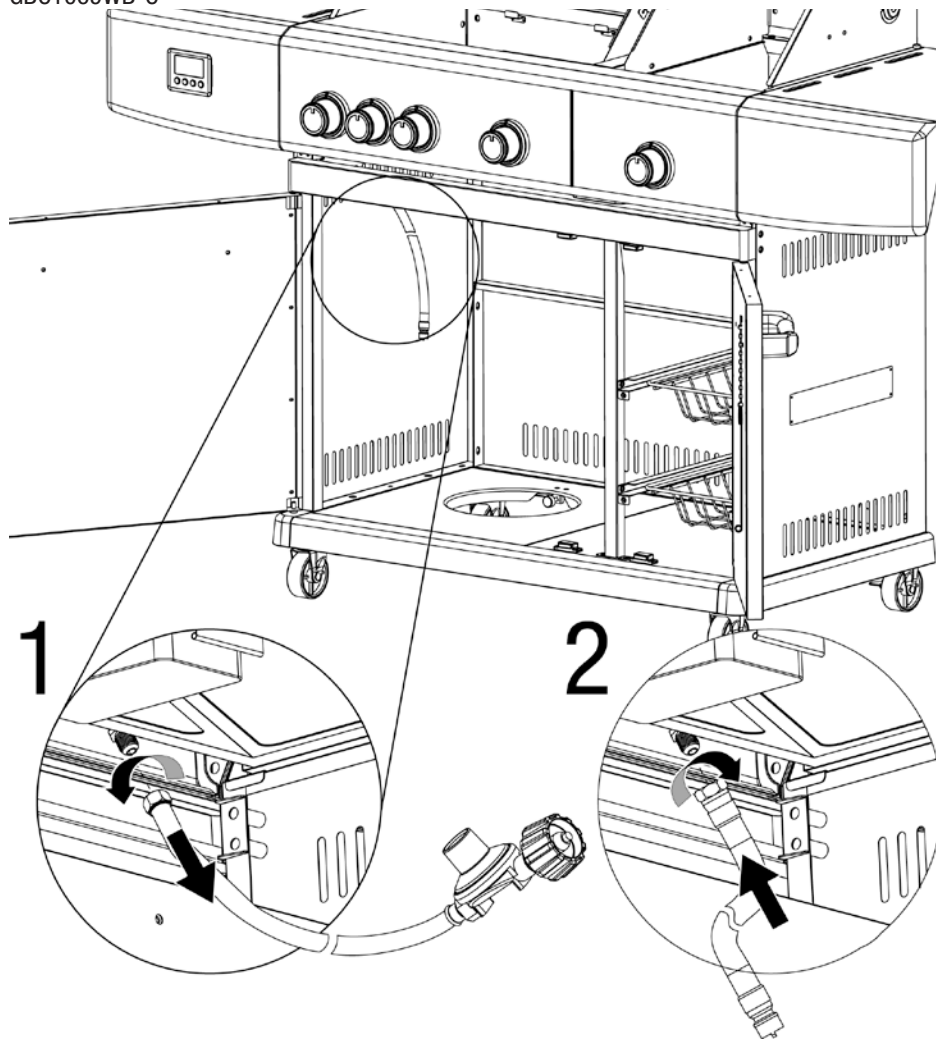
Instructions de conversion (suite)

12 Retirer le régulateur de propane et son tuyau et fixer le tuyau souple d'alimentation en gaz naturel

GBC1059WB-C / GBC1059WE-C / GBC1076WE-C

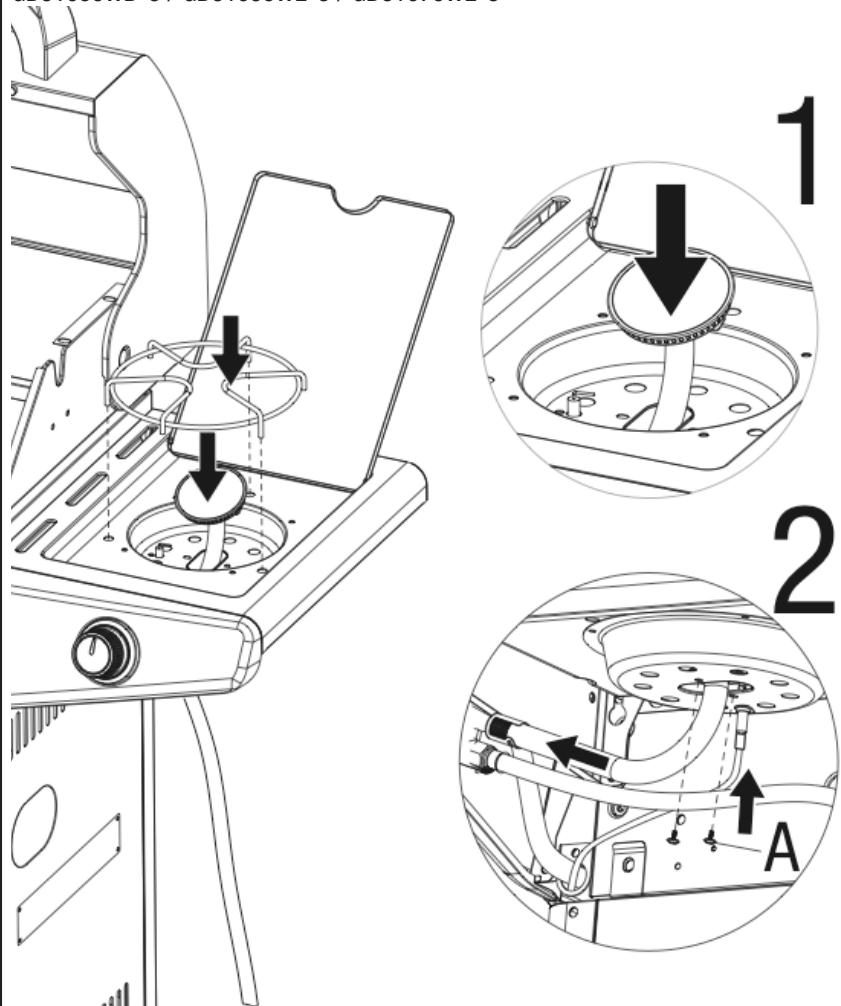


GBC1069WB-C



13 Fixer le brûleur latéral, le fil de l'allumeur et la grille du brûleur latéral

GBC1059WB-C / GBC1059WE-C / GBC1076WE-C



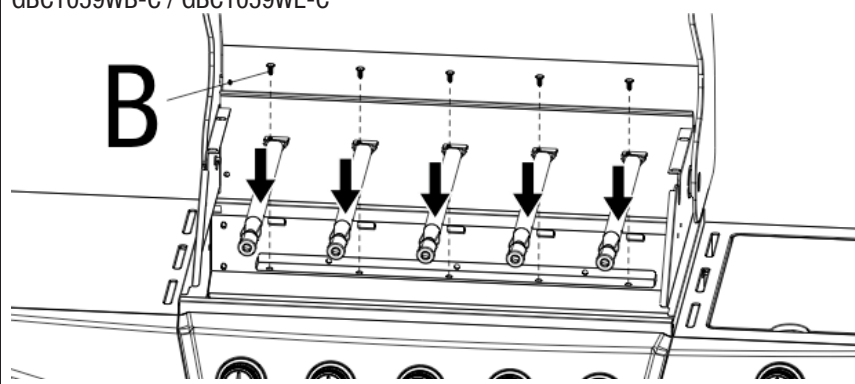
GBC1059WB-C / GBC1059WE-C / GBC1076WE-C

A x 2

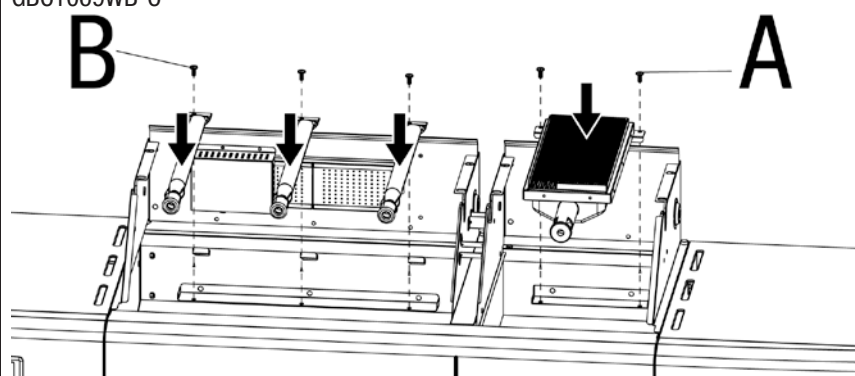
14

Fixer les brûleurs et les fils de l'allumeur

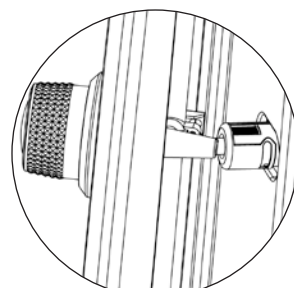
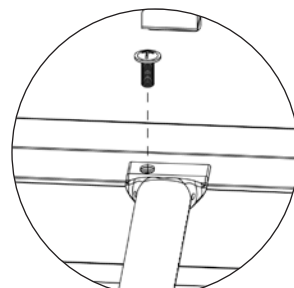
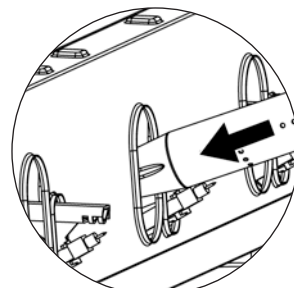
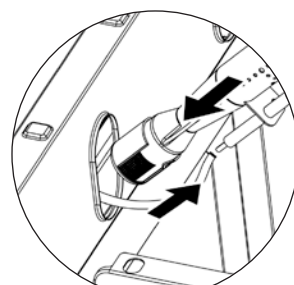
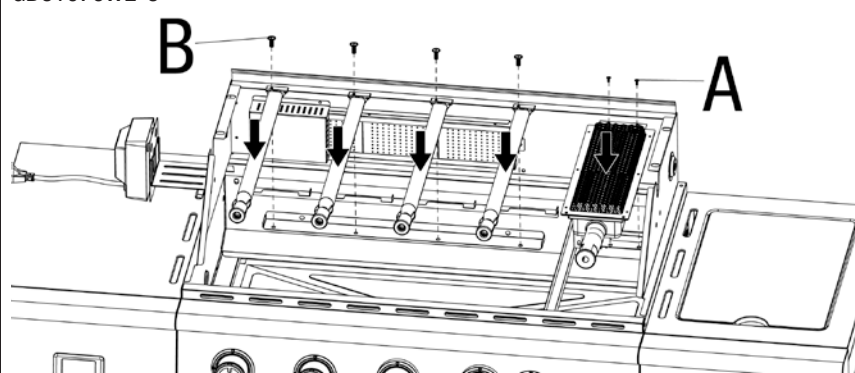
GBC1059WB-C / GBC1059WE-C



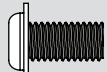
GBC1069WB-C



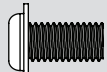
GBC1076WE-C



GBC1059WB-C

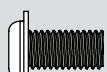
B  x 5

GBC1059WE-C

B  x 4

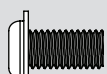
GBC1069WB-C

A  x 2

B  x 3

GBC1076WE-C

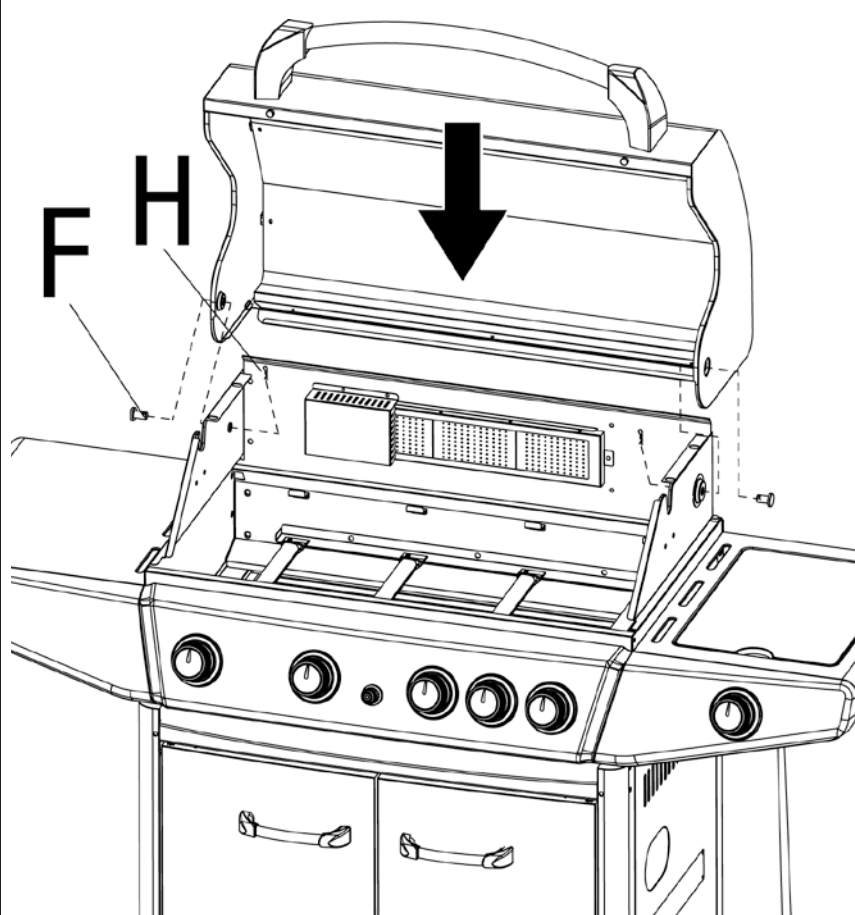
A  x 2

B  x 4

15

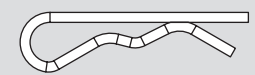
Fixer le(s) couvercle(s)

GBC1059WE-C / GBC1076WE-C

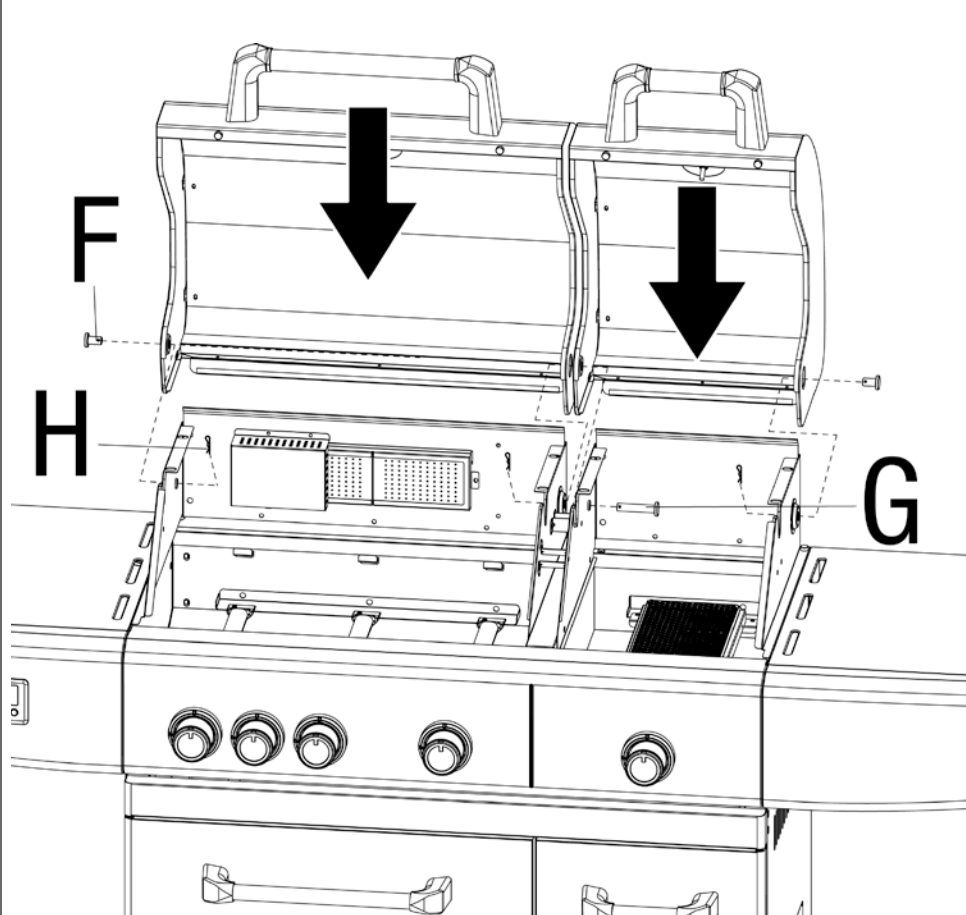


GBC1059WE-C / GBC1076WE-C

F  x 2

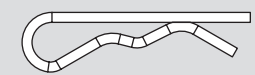
H  x 2

GBC1069WB-C



GBC1069WB-C

F  x 2

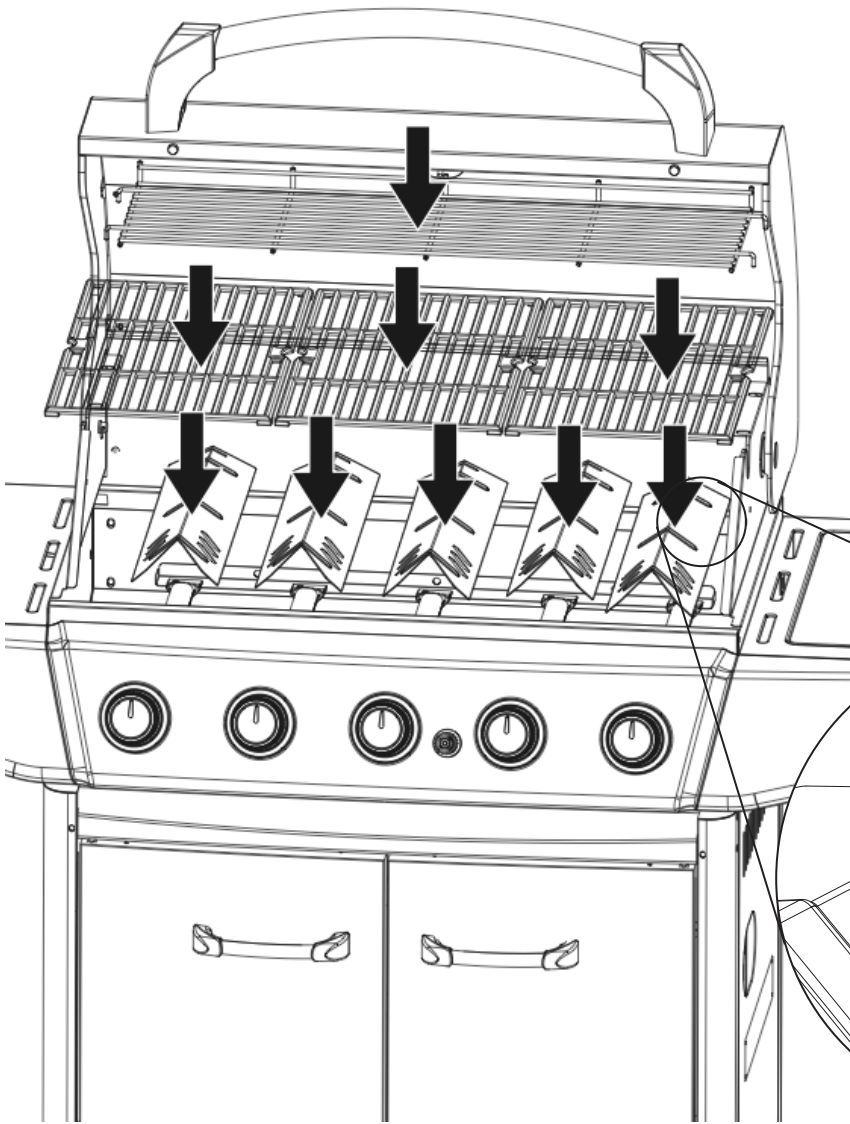
H  x 3

G  x 1

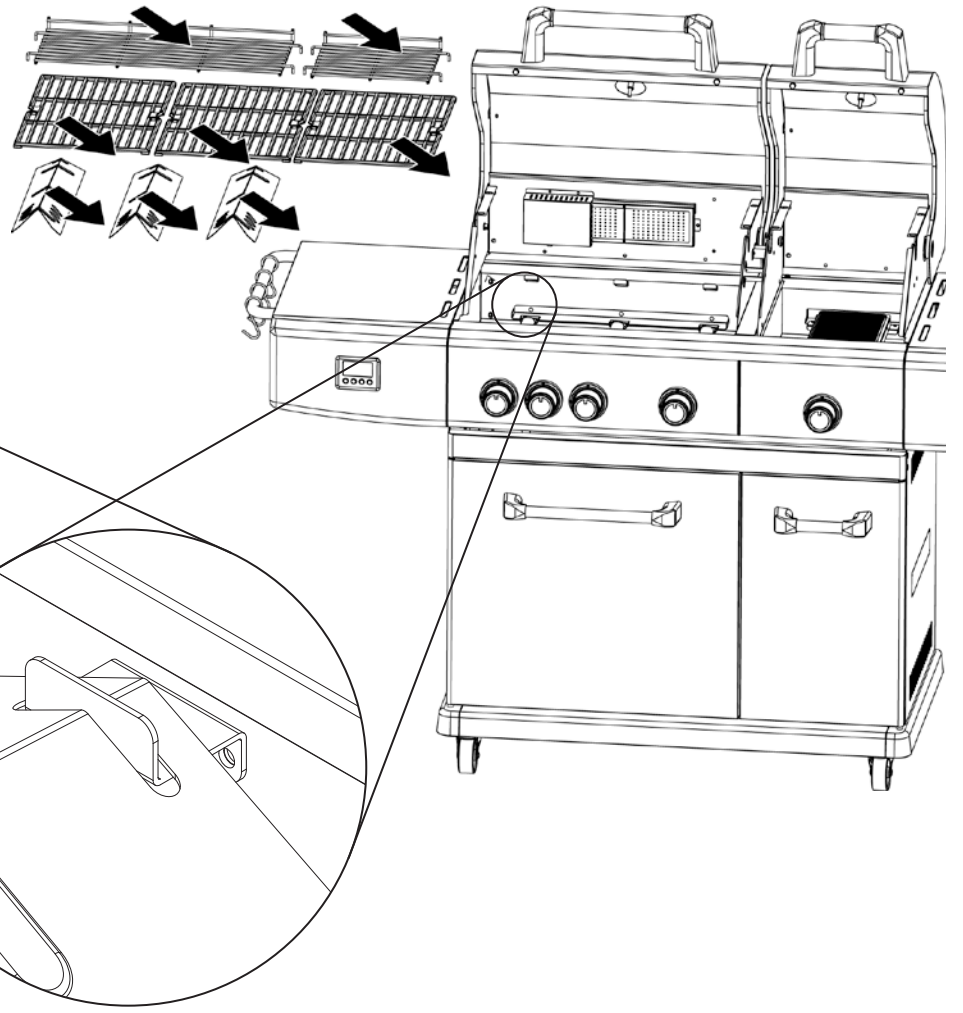
Instructions de conversion (suite)

16 Insérer les diffuseurs de chaleur, les grilles de cuisson et la (ou les) grille(s) de réchauffage

GBC1059WB-C / GBC1059WE-C / GBC1076WE-C



GBC1069WB-C



17 Effectuer un test d'étanchéité



DANGER

En cas d'odeur de gaz:

1. Fermer le robinet de gaz alimentant l'appareil.
2. Éteindre toute flamme.
3. Ouvrir le couvercle
4. Si l'odeur persiste, s'éloigner de l'appareil et contacter immédiatement le fournisseur de gaz ou les pompiers.

1. **NE PAS** utiliser le barbecue en cas de fuite de gaz. Toute fuite de gaz risque de provoquer un incendie ou une explosion.
2. Il est impératif de suivre toutes les instructions de détection de fuite avant d'utiliser le barbecue. Pour éviter tout risque d'incendie et d'explosion au moment de rechercher une fuite:
 - a. Veiller à toujours effectuer une détection de fuite avant d'allumer le barbecue et à chaque fois que le tuyau de gaz naturel est branché.
 - b. Interdit de fumer. Ne pas utiliser ni permettre la présence de sources d'inflammation à proximité au moment de rechercher une fuite.
 - c. Effectuer le test d'étanchéité à l'extérieur, dans un endroit bien aéré.
 - d. **NE PAS** utiliser d'allumettes, de briquets ni de flammes pour détecter une fuite.
 - e. **NE PAS** utiliser le barbecue avant d'avoir corrigé toute fuite.

Si la fuite ne peut être arrêtée, débrancher le tuyau d'alimentation en gaz naturel. Appeler un réparateur d'appareils à gaz.

Installation de la conduite d'alimentation en gaz naturel

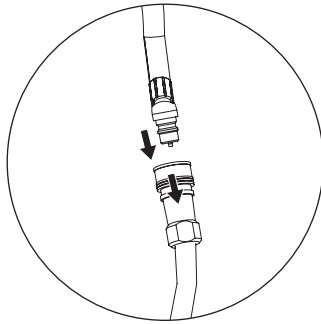
Cette installation devrait être effectuée par un technicien qualifié.

DANGER: Si de jeunes enfants sont à proximité, un robinet de sécurité muni d'un verrou serait à considérer.

Branchement du tuyau de gaz naturel

Avant de procéder au branchement, assurez-vous de l'absence de débris coincés à la sortie de la conduite d'alimentation en gaz naturel, dans le tuyau souple de gaz naturel du barbecue, dans la tête et dans les orifices du brûleur.

Branchez le tuyau souple de gaz naturel du barbecue sur la conduite d'alimentation en gaz naturel.



Débranchement du tuyau de gaz naturel

Avant de débrancher le tuyau souple de gaz naturel, assurez-vous que le robinet de la conduite d'alimentation en gaz naturel est fermé (OFF).

Débranchez le tuyau souple de gaz naturel de la conduite d'arrivée de gaz naturel.

Fonctionnement

Rechercher une fuite potentielle

Consultez le manuel d'utilisation de votre barbecue. Si vous ne possédez pas le manuel d'utilisation, appelez le service à la clientèle au 1.800.762.1142 ou consultez notre site www.bluerhino.com.

Raccordement des brûleurs

1. Assurez-vous que la soupape de commande et le tuyau ont été correctement raccordés au brûleur.

Si l'appareil a été assemblé pour vous, vérifiez visuellement le branchement du tube de venturi du brûleur sur l'orifice. Assurez-vous que le tube de venturi du brûleur est correctement placé sur l'orifice.

⚠ AVERTISSEMENT: Si vous ne vérifiez pas ce raccord et ne respectez pas ces instructions, vous risquez de provoquer un incendie ou une explosion pouvant entraîner des dégâts matériels, des blessures graves voire la mort.

2. Reportez-vous à l'illustration afin d'effectuer correctement l'installation (illustrations 1, 2 et 4).
3. Si le tube du brûleur ne repose pas au ras de l'orifice, veuillez appeler notre service à la clientèle au 1.800.762.1142.

Raccordement du tuyau de gaz


1. Préparez une solution d'environ 80 ml destinée à détecter les fuites en mélangeant un volume de liquide à vaisselle et 3 volumes d'eau.
2. Vérifiez que les boutons de commande du barbecue sont tous sur  (arrêt). Reportez-vous à l'illustration 3.
3. Ouvrez le gaz au niveau de la conduite principale d'alimentation en gaz naturel.
4. Versez quelques gouttes de la solution sur tous les points de raccordement indiqués par un « X ». Reportez-vous aux illustrations 1, 2 et 4.
 - a. Si des bulles apparaissent, fermez le gaz au niveau de la conduite principale d'alimentation en gaz naturel, desserrez le raccord puis rebranchez en vous assurant qu'il est étanche en effectuant un autre test d'étanchéité.
 - b. Si des bulles persistent après plusieurs tentatives, fermez le gaz au niveau de la conduite principale d'alimentation en gaz naturel, débranchez le tuyau de gaz naturel et appelez le 1.800.762.1142.
 - c. S'il n'y a toujours pas de bulles après une minute, fermez le gaz au niveau de la conduite principale d'alimentation en gaz naturel, essuyez la solution et continuez.

Illustration 1

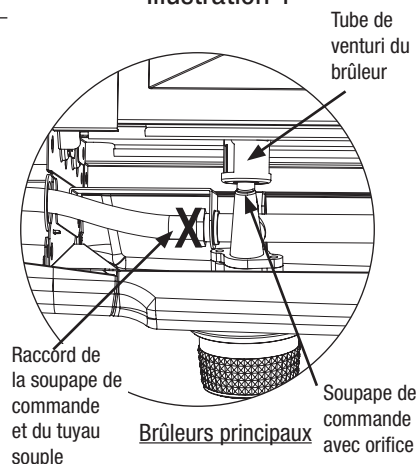


Illustration 2

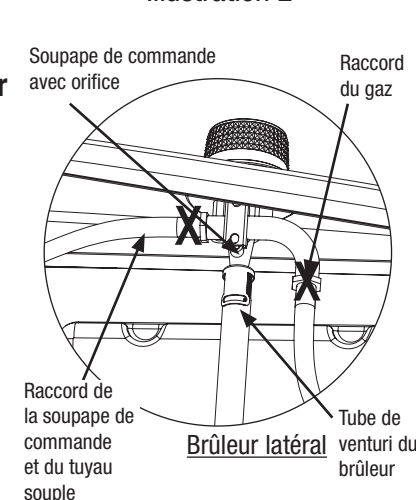
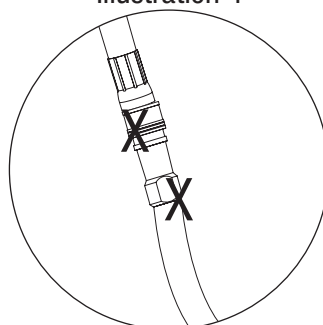


Illustration 3



Illustration 4



Fonctionnement (suite)

Fonctionnement des brûleurs principaux

Consultez le manuel d'utilisation de votre barbecue. Si vous ne possédez pas le manuel d'utilisation, appelez le service à la clientèle au 1.800.762.1142 ou consultez notre site www.bluerhino.com

Fonctionnement du brûleur infrarouge pour saisir les aliments

Consultez le manuel d'utilisation de votre barbecue. Si vous ne possédez pas le manuel d'utilisation, appelez le service à la clientèle au 1.800.762.1142 ou consultez notre site www.bluerhino.com

Fonctionnement du brûleur latéral

Consultez le manuel d'utilisation de votre barbecue. Si vous ne possédez pas le manuel d'utilisation, appelez le service à la clientèle au 1.800.762.1142 ou consultez notre site www.bluerhino.com

Fonctionnement du brûleur arrière infrarouge

Consultez le manuel d'utilisation de votre barbecue. Si vous ne possédez pas le manuel d'utilisation, appelez le service à la clientèle au 1.800.762.1142 ou consultez notre site www.bluerhino.com

Nettoyage et entretien

Consultez le manuel d'utilisation de votre barbecue. Si vous ne possédez pas le manuel d'utilisation, appelez le service à la clientèle au 1.800.762.1142 ou consultez notre site www.bluerhino.com

Garantie limitée

La société Blue Rhino Global Sourcing, Inc ("le fabricant") garantit cet article au premier acheteur au détail et à aucune autre personne, contre tout vice de matériau et de fabrication pendant un (1) an à partir de la date d'achat si cet article est monté et utilisé conformément aux instructions fournies. Le fabricant vous demandera sans doute une preuve raisonnable d'achat datée, veuillez donc conserver votre facture ou votre reçu. Cette garantie limitée se limitera à la réparation ou au remplacement de pièces ayant été déterminées défectueuses par le fabricant lors de conditions d'utilisation et d'entretien normales. Avant de renvoyer une pièce, contactez le service à la clientèle du fabricant (Customer Service Department). Si le fabricant confirme le défaut de fabrication et approuve la réclamation, ce dernier remplacera gratuitement les dites pièces. Si vous devez renvoyer des pièces défectueuses, les pièces devront être expédiés port-payé. Le fabricant s'engage à renvoyer les pièces à l'acheteur port-payé.

Cette garantie limitée ne couvre pas les pannes et dysfonctionnements survenant suite à tout accident, mauvais usage, entretien incorrect de cet article, ou toute modification, mauvaise installation ou négligence comme il a été établi dans ce manuel. De plus, cette garantie limitée ne couvre pas les dommages au fini, à savoir les rayures, les bosses, les traces de décoloration, de rouille ou les dommages résultant des intempéries après achat de l'article.

Cette garantie remplace toute autre garantie expresse et il n'existe aucune autre garantie expresse à l'exception de la couverture indiquée ici. Le fabricant désavoue toute garantie couvrant des produits ayant été achetés auprès de revendeurs autres que les revendeurs et distributeurs agréés y compris toute garantie de commerciabilité et d'adaptation à un usage particulier. LE FABRICANT DÉCLINE ÉGALEMENT TOUTE GARANTIE IMPLICITE Y COMPRIS TOUTE GARANTIE DE COMMERCIALITÉ ET D'ADAPTATION À UN USAGE PARTICULIER. LE FABRICANT NE POURRA ÊTRE TENU RESPONSABLE PAR L'ACHETEUR OU UN TIERS POUR TOUTS DÉGÂTS ET DOMMAGES PARTICULIERS, INDIRECTS, PUNITIFS OU CONSÉCUTIFS. De plus, le fabricant désavoue toute garantie expresse ou implicite et décline toute responsabilité en cas de défaut de fabrication causés par un tiers.

Cette garantie limitée octroie des droits spécifiques à l'acheteur reconnus par la loi et il est possible que ce dernier en possède d'autres selon sa localité. Certaines juridictions ne permettent pas l'exclusion ni la limitation de dommages consécutifs ou accessoires ni la limitation en temps d'une garantie et ces limitations peuvent ne pas être applicables à tous.

Le fabricant ne permet en aucun cas à une personne ou à une société de s'attribuer les responsabilités et les obligations liées à la vente, l'installation, l'utilisation, la dépose ou le remplacement de cet article, et aucune de ces représentations n'engage la responsabilité du fabricant.

Blue Rhino Sourcing, Inc
Winston-Salem, North Carolina 27105, États-Unis
(800)-762-1142



Trousse de conversion au gaz naturel – VFK1000W-C
modèles n° GBC1059WB-C, GBC1059WE-C, GBC1069WB-C, GBC1076WE-C

Free Manuals Download Website

<http://myh66.com>

<http://usermanuals.us>

<http://www.somanuals.com>

<http://www.4manuals.cc>

<http://www.manual-lib.com>

<http://www.404manual.com>

<http://www.luxmanual.com>

<http://aubethermostatmanual.com>

Golf course search by state

<http://golfingnear.com>

Email search by domain

<http://emailbydomain.com>

Auto manuals search

<http://auto.somanuals.com>

TV manuals search

<http://tv.somanuals.com>