



# Balanced Combustion System™

## Sidewall Vented Oil & Gas Water Heaters Featuring Bock's Legendary **Turboflue**®

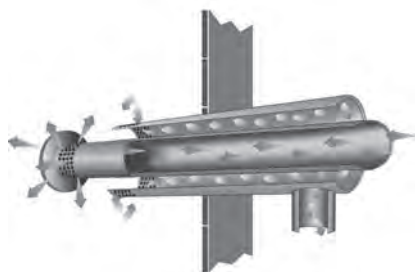


The heat exchanger with hundreds of turbofins to boost heat transfer -- *heating water **faster** with **less** fuel.*



- 20 to 113 Gallon capacities
- 60,000 to 190,000 BTU
- C<sub>g</sub>lass® Cobalt-enriched Glass-Lined Tank
- Dual Magnesium Anode Rods to Inhibit Corrosion

Stainless steel concentric sidewall vent for maximum durability and easy installation. BCS sidewall venting offers these benefits:

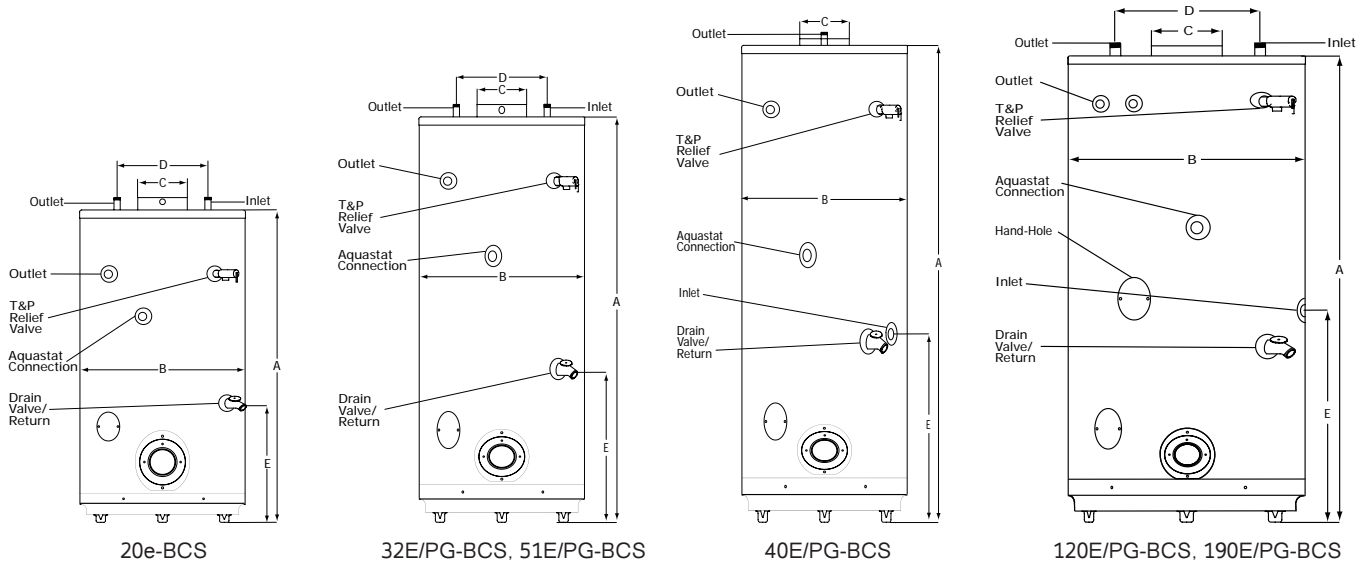


- Air is warmed before entering burner to improve combustion efficiency
- Burner operation is unaffected by room exhaust fans or negative air issues
- Corrosive aerosols near water heater are not drawn into burner

**5-Year limited warranty on residential installations**  
**3-Year limited warranty on commercial installations**



# Balanced Combustion System™



	Model	Storage (gal)	Rated Input		Recovery @ Δ 90°F (GPH)	Max. Temp Setting (°F)	Inlet Pipe Dia.	Outlet Pipe Dia.	Return Pipe Dia.	Dimensions					Shipping Weight (lbs)***
			BTH/HR	GPH						A	B	C	D	E	
Oil	20e-BCS	20	60,000	0.43	66	160	3/4"	3/4"	3/4"	38 1/4"	20"	6"	11"	14 3/4"	210
	32E-BCS	32	104,000	0.75	114	160	3/4"	3/4"	3/4"	51"	20"	6"	11"	17"	312
	40E-BCS	40	126,000	0.90	136	160	3/4"	3/4"	1"	61"	20"	6"	N/A	18"	344
	51E-BCS	50	152,000	1.10	161	160**	1"	1"	3/4"	59"	24"	6"	11"	18"	370
	120E-BCS	113	155,000	1.10	163	180	1"	2"***	2"***	67"	31 1/2"	6"	19"	22"	751
	190E-BCS	113	190,000	1.35	199	180	1"	2"***	2"***	67"	31 1/2"	6"	19"	22"	751
Gas	32PG-BCS	32	104,000	-	110	160	3/4"	3/4"	3/4"	51"	20"	6"	11"	17"	312
	40PG-BCS	40	126,000	-	134	160	3/4"	3/4"	1"	61"	20"	6"	N/A	18"	341
	51PG-BCS	50	152,000	-	159	160**	1"	1"	3/4"	59"	24"	6"	11"	18"	370
	120PG-BCS	113	155,000	-	160	180	1"	2"***	2"***	67"	31 1/2"	6"	19"	22"	749
	190PG-BCS	113	190,000	-	191	180	1"	2"***	2"***	67"	31 1/2"	6"	19"	22"	749

\*Nipple not included  
 \*\*Optional setting, consult factory  
 \*\*\*Weight includes burner and controls



(on selected models)

T&P Valve: Factory Installed  
 Drain Valve: Factory Installed Brass Valve  
 Standard Voltage (all): 120V, 60 Hz, 1P  
 Pressures (all): Working Pressure, 150 psi; Testing Pressure, 300 psi  
 ASHRAE: All Bock Products Meet or Exceed Current ASHRAE Standards.

**Warning:** Do not install on combustible flooring. Installation should be in accordance with all national and/or local codes. In the absence of local codes, refer to NFPA 54, NFPA 31 or ANSI Z.21.10.1.

**Caution:** The recommended maximum hot water temperature setting for normal residential use is 120°F. Bock recommends a tempering valve or anti-scald valve be installed and used according to the manufacturer's directions to prevent scalding.



[www.bockwaterheaters.com](http://www.bockwaterheaters.com)  
 110 South Dickinson Street, Madison, Wisconsin 53703  
 Toll Free 800.794.2491 • Phone 608.257.2225 • Fax 608.257.5304



80023 Rev 2/08

## Free Manuals Download Website

<http://myh66.com>

<http://usermanuals.us>

<http://www.somanuals.com>

<http://www.4manuals.cc>

<http://www.manual-lib.com>

<http://www.404manual.com>

<http://www.luxmanual.com>

<http://aubethermostatmanual.com>

Golf course search by state

<http://golfingnear.com>

Email search by domain

<http://emailbydomain.com>

Auto manuals search

<http://auto.somanuals.com>

TV manuals search

<http://tv.somanuals.com>