

FYRKAT

FYRKAT

CONE CHARCOAL GRILL
KEGEL-HOLZKOHLEGRILL
GRIL CÔNE À CHARBON DE BOIS
KEGLEGRILL
BARBACOA CÓNICA DE CARBÓN VEGETAL
GRILL CONICO A CARBONELLA
BARBECUEKEGEL-HOUTSKOOLGRILL
KONGRILL
GRELHADOR DE CARVÃO VEGETAL EM CONE



Instruction for use
ENGLISH

Gebrauchsanweisung
DEUTSCH

Mode d'emploi
FRANÇAIS

Brugsanvisning
DANSK

Instrucciones de uso
ESPAÑOL

Istruzioni per l'uso
ITALIANO

Gebruiksaanwijzing
NEDERLANDS

Bruksanvisning
SVENSKA

Manual de Instruções
PORTUGUÊS



11344-01



11344-106

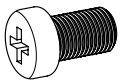


11344-294

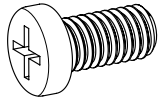


11344-565

1 (8x)



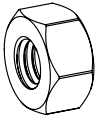
2 (6x)



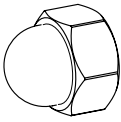
3 (8x)



4 (6x)



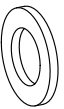
5 (3x)



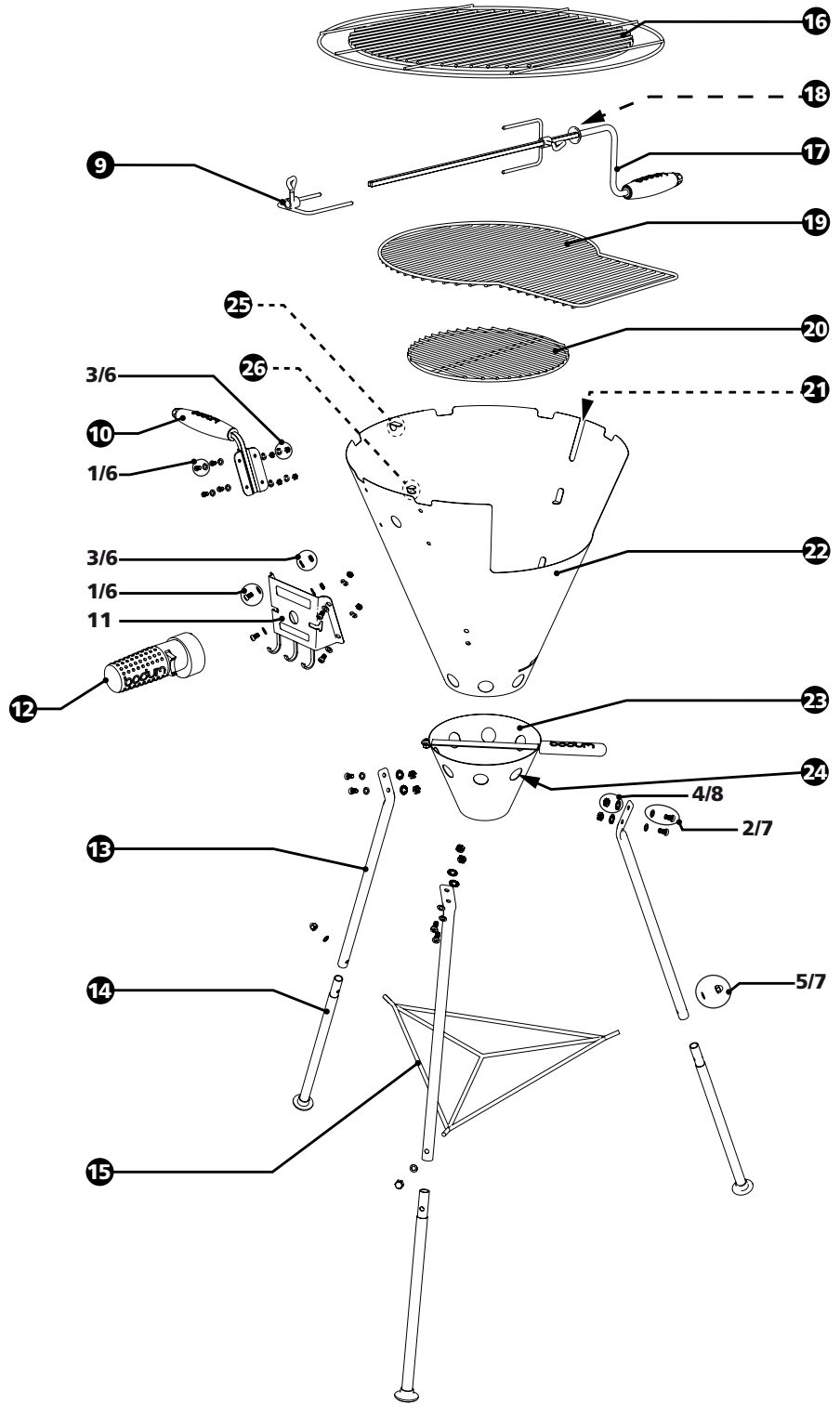
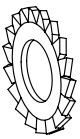
6 (16x)

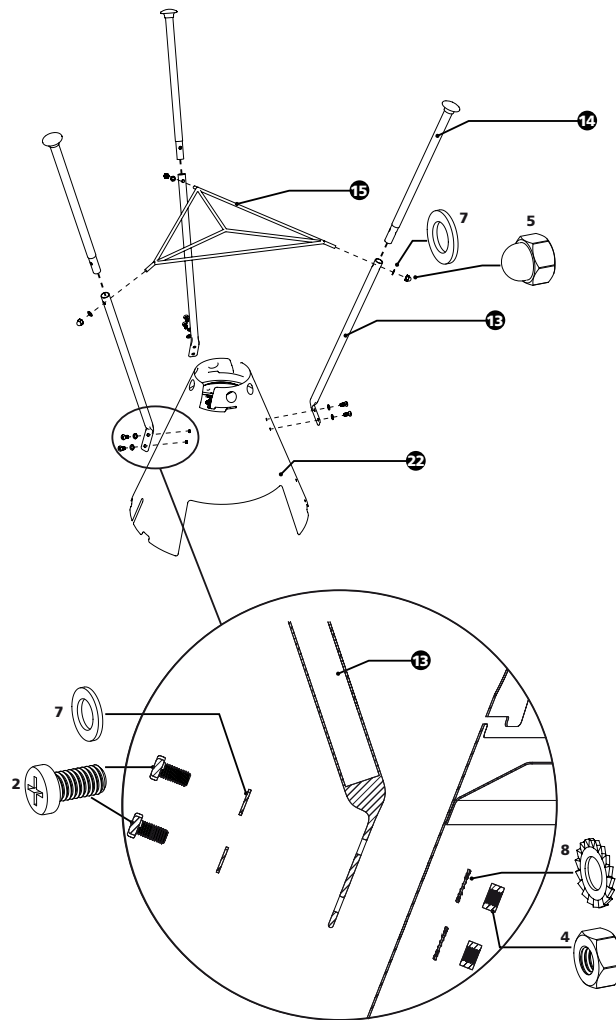
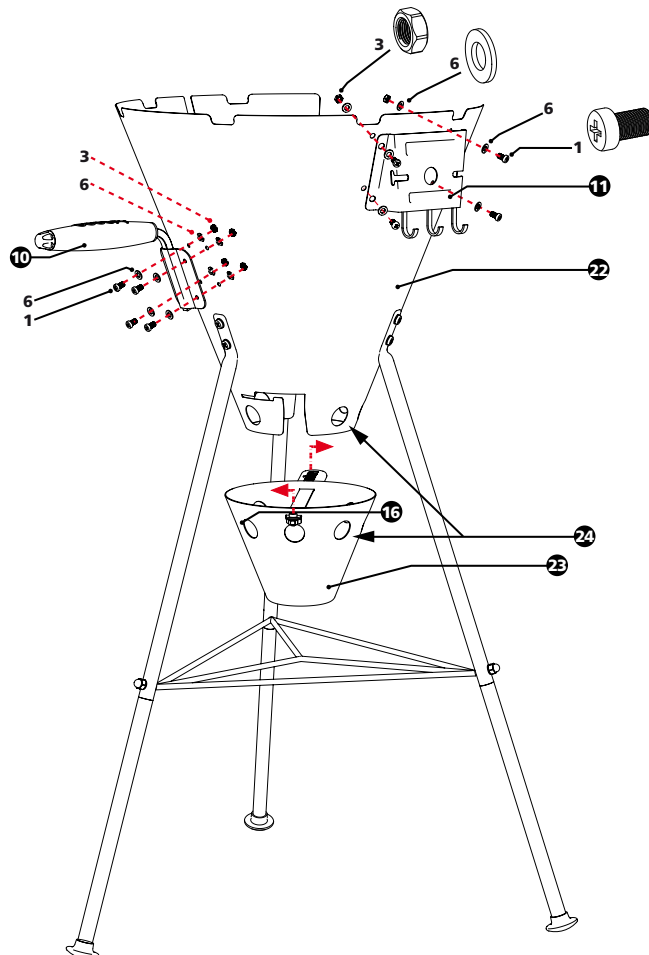


7 (9x)

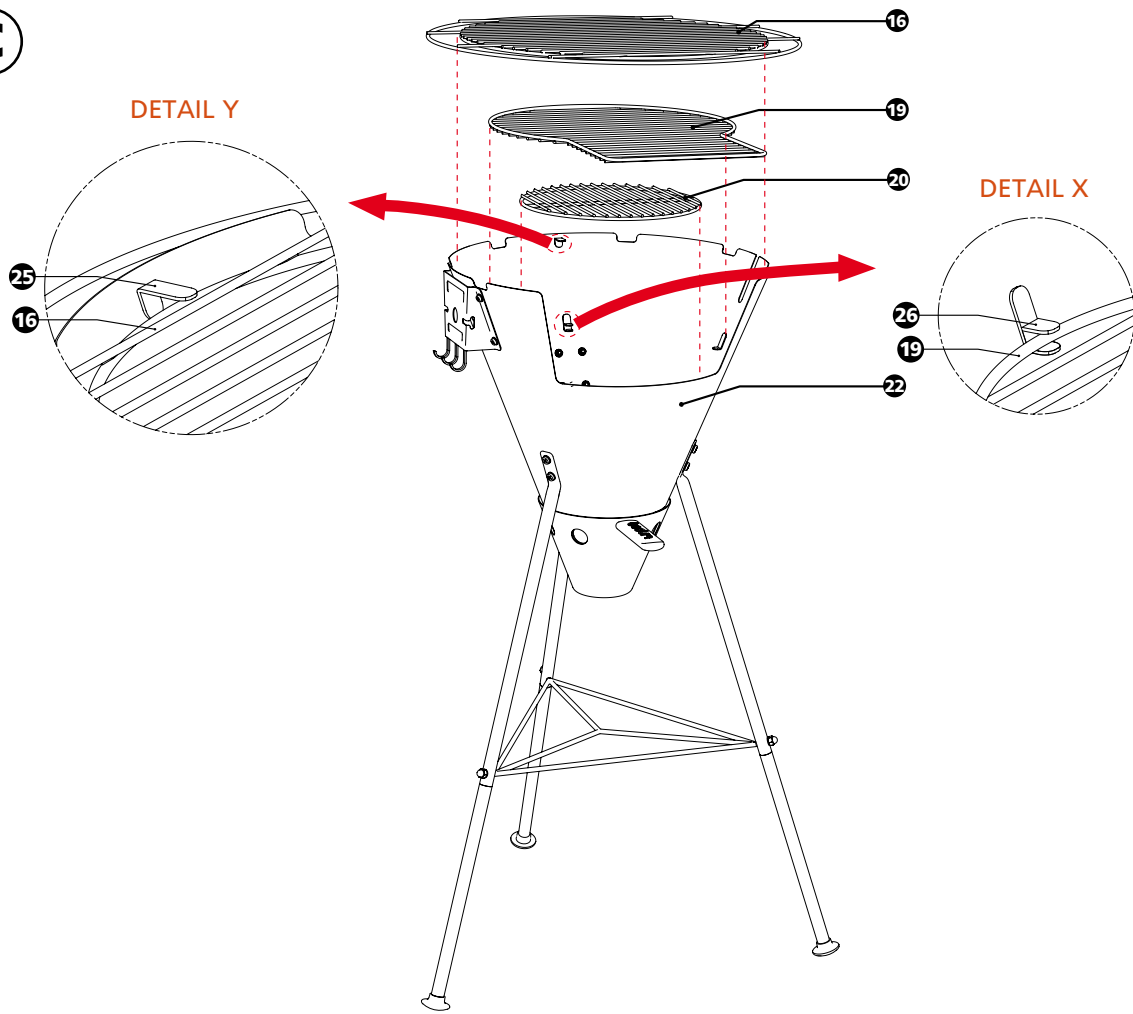


8 (6x)

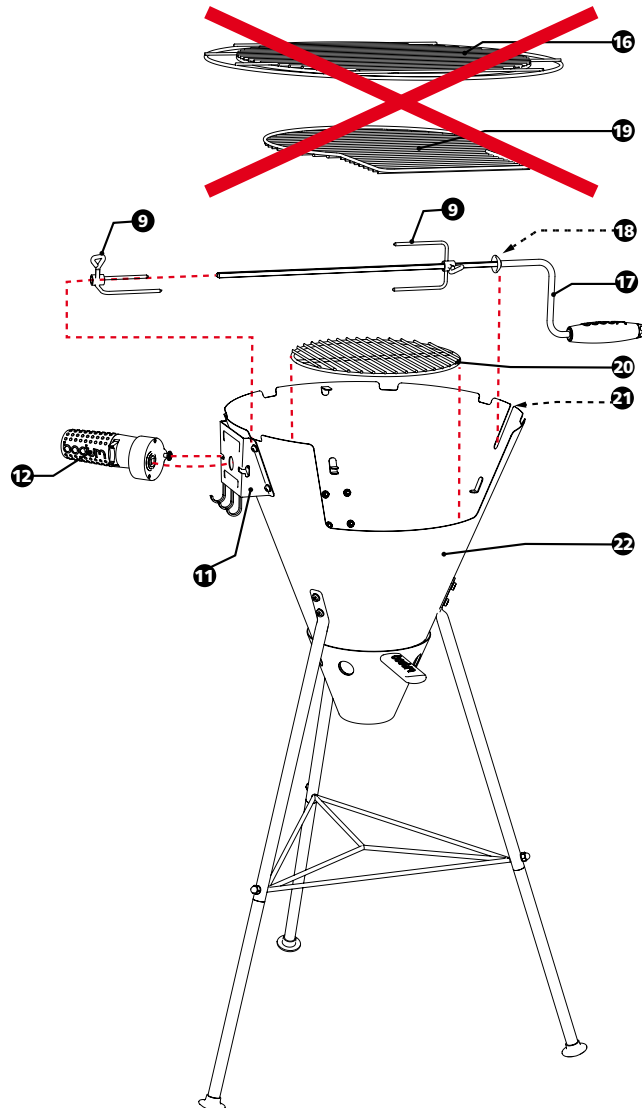


A**B**

C



D



A VERY WARM WELCOME OUTSIDE!

What do we associate more with spring and summer than eating outside? And what is more perfect than the pleasure of a really first-class barbecue? Whatever you like best – a hearty steak, a crispy sausage or grilled vegetables – with the BODUM® “FYRKAT” Cone Grill you have made the right choice for a sociable summer. A barbecue is probably the only culinary event at which the proverb “Too many cooks spoil the broth” does not apply: When barbecuing, many cooks are at work. If you are not too easily seduced by rich sauces, grilled food is not only extremely tasty but also healthy and light, especially if you use lean meat, fish and vegetables.

Bon appetit!

All we would like to do now is to ask you to read these instructions carefully as they contain important safety and hazard warnings as well as useful barbecuing tips, and – of course – to wish you a wonderful summer.

With best wishes from the BODUM® Design Team

ASSEMBLY INSTRUCTIONS:

BARBECUE ASSEMBLY

1. M5 screws (8x)
2. M6 screws (6x)
3. M5 nuts (8x)
4. M6 nuts (6x)
5. M6 cap nuts (3x)
6. Washers Ø 5 mm (16x)
7. Washers Ø 6 mm (9x)
8. Lock washers Ø 6 mm (6x)
9. Positioning hooks (2x)
10. Handle
11. Motor retaining plate with grill utensil hooks
12. Barbecue motor (battery powered 1 x LR20/1.5 V / D, not supplied)
13. Support legs with bracket (3x)
14. Support legs with foot (3x)
15. Stabilizer
16. Grill grate-large
17. Rotary spit
18. Guide washer
19. Grill grate-small
20. Charcoal grate
21. Slit for rotary spit
22. Grilling bowl
23. Ash collector
24. Ventilation openings
25. Holding hooks-large
26. Holding hooks-small

ASSEMBLY INSTRUCTIONS

Figure A

Warning! Do not tighten the bolts and nuts too firmly in the following assembly step.

Place the grilling bowl (22) carefully on a level surface and attach each of the three support legs with brackets (13) to the grilling bowl (22). Use two M6 screws (2), two Ø 6 mm washers (7), two Ø 6 mm lock washers (8) and two M6 nuts (4) for each support leg. Then insert one support leg with foot (14) into each support leg with bracket (13) and fix the support legs using the stabilizer (15), washers (7) and cap nuts (5) as shown in figure A. Now tighten all screws and nuts on the barbecue sufficiently to ensure that they are sitting firmly.

Figure B

Place the barbecue on its support legs on a secure and level surface and attach the ash collector (23) to the grilling bowl (22). The ventilation openings (24) on the ash collector (23) can be opened and closed by turning the ash collector. The ventilation openings (24) on the ash collector should wherever possible remain open to ensure that air can circulate sufficiently.

Now attach the handle (10) and the motor retaining plate with grill utensil hooks (11) to the grilling bowl (22) using M5 screws (1), Ø 5 washers (6) and M5 nuts (3).

Figures C and D

The BODUM® “FYRKAT” Cone Grill can be used in either of two ways: as a barbecue with grill grates (16 / 19) or as a barbecue with rotary spit (17). Please refer to figures C and D for the appropriate assembly instructions.

Barbecue with grill grates (figure C)

If you wish to use the BODUM® Cone Grill with the grill grates, you must first insert the charcoal grate (20) into the grilling bowl (22). Then place the small grill grate (19) with the grate bars pointing down into the grilling bowl (22). Please ensure that the grate bar at the rear is placed exactly into the small holding hook (26) (see fig. C. / detail X) in order to secure the small grill grate (19) in its position.

Next, place the large grill grate (16) with the grate bars pointing up onto the upper edge of the grilling bowl (22) and insert into the slots provided there. Please also ensure that the large grill grate (16) is inserted into the retaining hook (25) (see fig. C / detail Y)

Barbecue with rotary spit (17)

If you wish to use the BODUM® Cone Grill with the rotary spit and barbecue motor, first insert the charcoal grate (20) into the grilling bowl (22). Place the two positioning hooks (9) onto the rotary spit (17) and screw these tight at the desired position. The positioning hooks (9) serve to ensure that food being grilled on the spit (17) rotates evenly. Now insert a battery (LR20, 1.5 V / D, not supplied) into the barbecue motor (12) and insert the barbecue motor into the motor retaining plate (11) from the side. Feed the rotary spit (17) through the hole on the grilling bowl (22) and the motor retaining plate (11) and insert into the square hole of the barbecue motor (12); position the other end of the rotary spit in the slit (21) on the opposite side of the grilling bowl. Please ensure that the guide washer (18) on the rotary spit (17) is located within the grilling bowl (22). This prevents the rotary spit from falling out when barbecuing.

Note: When barbecuing using the rotary spit, the small grill grate (19) and the large grill grate (16) must not be inserted.

Please always use suitable grill utensils (e.g. BODUM® FYRKAT grill utensils) and barbecuing mitts when you wish to insert or remove the charcoal grate (20), the small grill grate (19) or the large grill grate (16).

Before you use the BODUM® Cone Grill for the first time, we recommend that you allow the charcoal to glow for 30 minutes.

Maximum charcoal filling level: 6 cm above the charcoal grate.

HAZARD WARNINGS

Failure to observe these safety instructions and precautions can result in serious injury or damage. In addition, incorrect assembly of the BODUM® grill can pose great dangers. Follow the assembly instructions in this manual.

- Only use the grill when all parts have been properly assembled and secured.
- Make sure before every use that the ash collector has been properly attached. The grill must not be used without the ash collector (23).
- Do not use the grill indoors! The BODUM® Cone Grill is designed for outdoor use only. Toxic fumes can form if used inside. Never use the grill under flammable roofs or shelters or in a garage or suchlike.
- Never pour lighting fluid or charcoal soaked in lighting fluid onto hot or warm charcoal. Please close the lighting fluid container after use and store it at a safe distance from the grill.
- CAUTION! Never use spirit, petrol or similar liquids to light or relight! Only use firelighters complying with EN1860-3!
- WARNING! When using lighting fluids, make sure that no liquid has accumulated in the ash collector (23) or grilling bowl (22).
- WARNING! Children and pets are not allowed to stay unattended near a hot grill.
- WARNING! The BODUM® Cone Grill gets very hot and must not be moved while in use. Never leave the grill unattended while it is in use.
- The grill and flammable materials should be kept at least 1.5 m away from each other.
- Do not place the grill on a flammable surface.
- Do not wear clothes with long, wide sleeves when you are grilling.
- Only remove the ash when the charcoal briquettes have ceased glowing and the ash has cooled.
- Never dispose of hot ash or charcoal briquettes or briquette remains that are still glowing . Fire hazard!
- To move the grill, take hold of the handle (10), lift the grill slightly and position it at the desired location. Never try to move the grill when it is hot! Wait until the grill and charcoal have cooled down before moving or lifting the grill.
- Never hang heavy or flammable objects or objects sensitive to heat on the motor retaining plate with grill utensil hooks (11). The grill utensil hooks are designed for use with BODUM® grill utensils only.
- Use only the barbecue motor (12) supplied and protect it from heat, cold and moisture.
- Remove the battery from the barbecue motor (12) if you do not intend using it for any length of time in order to prevent the battery from leaking.
- Do not grill when it is windy.
- The BODUM® Cone Grill is not intended for installation or use in caravans, campers or on boats.
- The BODUM® Cone Grill must not be used as a heater.

SAFETY GUIDELINES

Place your BODUM® Cone Grill grill on a secure surface before use. Never tip or tilt it!

- Check before every use that the ash collector (23) is attached and that the ventilation openings (24) are open.
- If you use a grill starter (e.g. BODUM® FYRKAT Chimney Starter) to light the charcoal, make sure that the ventilation openings (24) on the ash collector (23) are closed when transferring the embers. Re-open the ventilation openings on the ash collector once you have transferred all the charcoal to the BODUM® Cone Grill.
- Always place the charcoal on the charcoal grate (20) and not directly on the base of the grilling bowl (22) or in the ash collector (23).
- Never touch the grill or grate to determine whether they are hot.
- Always wear barbecuing mitts or use an oven cloth when grilling or adjusting the ventilation openings (24) in order to protect your hands.
- Use grill utensils (e.g. BODUM® FYRKAT grill utensils) with long handles.
- If you wish to extinguish the charcoal, close the ventilation openings (24) on the ash collector (23) and wait until the charcoal and all parts of the grill have completely cooled down. Never use water to extinguish the charcoal as this may damage the enamel surface.
- Never use water to extinguish burning fat. Instead, move your food to another place on the grilling grates (16 / 19) and wait a few seconds until the fat has burned off.
- Take care when using hot electric lighters and keep them in a safe place. Please observe the relevant instructions.
- Please keep electric cables away from hot surfaces.

USEFUL TIPS

- Once you have lit the charcoal, wait approx. 25 to 30 minutes until the charcoal is covered with a thin grey coating before you start to grill.
- The ventilation openings (24) on the ash collector (23) should remain open while you are barbecuing. Always wear barbecuing mitts when adjusting the ventilation openings.
- Only use good-quality charcoal or coconut briquettes and store them in a dry place as they easily absorb moisture and burn badly in this state. If you want to store briquettes outside, we recommend using a weather-proof container with an air-tight lid.
- If you use lighting fluid, please allow it to soak into the charcoal for a few minutes before lighting it. **WARNING!** Make sure no lighting fluid accumulates in the grilling bowl (22) or ash collector (23).
- This grill is suitable for barbecuing with a grilling grate or barbecuing with a rotary spit. Follow the appropriate grilling method according to your recipe. You will find tips for these two methods under the heading "Tips for 'Barbecuing on Grilling Grates' and 'Barbecuing on a Rotary Spit'".
- Use a spatula (BODUM® FYRKAT barbecue spatula) or tongs (BODUM® FYRKAT barbecue nipper) to turn the barbecue food. Avoid using sharp objects to pierce the meat as this can cause meat juices and flavor to escape.
- Ideally, turn the barbecue food once only. Follow the tips of your recipe.
- Never grease the grilling grates (16 / 9) directly with oil. To achieve a more uniform brown surface and prevent the barbecue food from sticking to the grilling grate, it may help if you brush your food lightly with oil.
- Do not line your grill with aluminium foil as this can hinder the flow of air.

TIPS FOR "BARBECUING ON GRILLING GRATES" AND "BARBECUING ON A ROTARY SPIT"

Please read all instructions and tips carefully before you start to grill. The BODUM® Cone Grill is suitable for grilling in two different ways: Barbecuing on grilling grates and barbecuing on a rotary spit.

BARBECUING ON GRILLING GRATES

Positioned one above the other, the two grilling grates (16 / 9) allow food to be cooked at different intensities of heat. The lower, small grilling grate (19) is ideally suited for barbecuing food that needs to be cooked quickly at a high temperature (e.g. steaks, kebabs, chops etc.).

The upper, large grilling grate (16) is excellent for grilling food that requires lower temperatures and longer cooking times (e.g. vegetables, sausages, chicken or fish fillets etc.).

BARBECUING ON A ROTARY SPIT WITH A BARBECUE MOTOR

The BODUM® Cone Grill can easily be converted into a barbecue with rotary spit (17). Thanks to the barbecue motor (12) that is included, food is cooked on the rotary spit evenly on all sides.

Make sure the food you wish to grill is positioned centrally on the rotary spit (17) and clamp it onto the spit using the positioning hooks (9). Try to place the food as near to the centre of the grill as possible to ensure even weight distribution.

Exact cooking times can vary according to the type and size of the food you are grilling. For this reason you should follow the instructions in your recipe.

Caution! Fat from barbecue food dripping onto hot charcoal can cause a sudden burst of flames. Do not extinguish these flames with water. Instead, arrange the charcoal on the charcoal grate (20) in such a way that no fat can drip onto glowing charcoal.

Maximum weight of food for barbecuing on the rotary spit: 2 kg.

CARE

You can extend the useful life of your BODUM® Cone Grill by several years if you clean it thoroughly once each year. Do not use sharp objects and abrasive cleaners to clean the grilling grate, rotary spit and grill as these may damage the surface.

Follow these simple steps to clean your grill:

- Make sure that the grill has cooled down completely and that all charcoal has burned out.
- Remove the ash.
- Remove the grilling grate or rotary spit and charcoal grate and detach the barbecue motor.
- Wash the grill with a mild detergent and water. Rinse it thoroughly with clear water and dry it with a cloth.
- The grilling grates do not need to be cleaned every time they are used. Just loosen any left-over food with a brass wire brush or with crumpled up aluminium foil and then wipe them clean with kitchen paper.
- Clean the barbecue motor with a moist cloth. Never immerse the barbecue motor in water.

GANZ HERZLICH WILLKOMMEN IM FREIEN!

Was verbinden wir mehr mit Frühling und Sommer als draussen zu essen? Und was macht das Vergnügen perfekter als ein richtig erstklassiges Barbecue? Was immer Sie am liebsten mögen – ein herzhaftes Steak, eine knusprige Wurst oder gar grilliertes Gemüse – mit dem BODUM® Cone-Grill «FYRKAT» haben Sie die richtige Wahl getroffen, um Ihren Sommer so richtig gesellig zu machen. Ein Barbecue ist wohl der einzige kulinarische Anlass, bei dem das Sprichwort «Zu viele Köche verderben den Brei» nicht zutrifft: Hier kochen viele Chefs. Wenn Sie sich von reichhaltigen Saucen nicht zu stark verführen lassen, ist Grilliertes nicht nur äusserst schmackhaft, sondern auch noch gesund und leicht, vor allem, wenn es sich um fettarmes Fleisch, Fisch und Gemüse handelt.

Wir wünschen Ihnen guten Appetit!

Nun bleibt uns nur noch, Sie darum zu bitten, diese Gebrauchsanweisung mit wichtigen Sicherheits- und Gefahrenhinweisen sowie wertvollen Grilltipps ganz genau durchzulesen und – natürlich – Ihnen einen wunderschönen Sommer zu wünschen.

Ihr BODUM® Design-Team

MONTAGEANLEITUNG:

GRILLAUFBAU

1. Schraube M5 (8 Stk.)
2. Schraube M6 (6 Stk.)
3. Mutter M5 (8 Stk.)
4. Mutter M6 (6 Stk.)
5. Hutmutter M6 (3 Stk.)
6. Unterlegscheibe Ø 5 mm (16 Stk.)
7. Unterlegscheibe Ø 6 mm (9 Stk.)
8. Sicherungsscheibe Ø 6 mm (6 Stk.)
9. Positionshaken (2 Stk.)
10. Haltegriff
11. Motorhalteplatte mit Grillbesteckhaken
12. Grillmotor (batteriebetrieben 1 x LR20/1,5 V / D, nicht mitgeliefert)
13. Standbein mit Winkel (3 Stk.)
14. Standbein mit Standfuss (3 Stk.)
15. Stabilisator
16. Grillrost-gross
17. Drehspeiss
18. Anschlagscheibe
19. Grillrost-klein
20. Holzkohlerost
21. Aufnahmeschlitz für Speiss
22. Grillkessel
23. Ascheauffangbehälter
24. Lüftungsöffnungen
25. Haltehaken-gross
26. Haltehaken-klein

MONTAGEANWEISUNG

Abbildung A

Achtung! Ziehen Sie die Schrauben und Muttern bei folgendem Montageschritt noch nicht fest an.

Stellen Sie den Grillkessel (22) vorsichtig auf eine ebene Unterlage und montieren Sie nacheinander die drei Standbeine mit Winkel (13) am Grillkessel (22). Verwenden Sie pro Standbein jeweils zwei Schrauben M6 (2), zwei Unterlegscheiben Ø 6 mm (7), zwei Sicherungsscheiben Ø 6 mm (8) und zwei Muttern M6 (4). Anschliessend führen Sie in jedes Standbein mit Winkel (13) ein Standbein mit Standfuss (14) und befestigen die Standbeine mittels Stabilisator (15), Unterlegscheiben (7) und Hutmuttern (5) gemäss Abb. A. Ziehen Sie jetzt sämtliche Schrauben und Muttern des Grills ausreichend nach, damit alle Teile fest sitzen.

Abbildung B

Stellen Sie den Grill auf einem sicheren und ebenen Untergrund auf die Standbeine und montieren Sie den Ascheauffangbehälter (23) am Grillkessel (22). Die Lüftungsöffnungen (24) am Ascheauffangbehälter (23) lassen sich durch Drehen des Ascheauffangbehälters öffnen und schliessen. Zum Grillen sollten die Lüftungsöffnungen (24) am Ascheauffangbehälter nach Möglichkeit geöffnet bleiben, um eine ausreichende Luftzirkulation zu gewährleisten.

Montieren Sie nun den Haltegriff (10) und die Motorhalteplatte mit Grillbesteckhaken (11) mittels Schrauben M5 (1), Unterlegscheiben Ø 5 mm (6) und Muttern M5 (3) am Grillkessel (22).

Abbildung C und D

Der BODUM® «FYRKAT» Cone-Grill lässt sich auf zwei Arten benutzen: als Grill mit Grillrost (16 / 19) und als Grill mit Drehspieß (17). Beachten Sie bitte die entsprechenden Montageanleitungen in den Abbildungen C und D.

Grill mit Grillrost (Abbildung C)

Wenn Sie den BODUM® Cone-Grill mit Grillrost verwenden möchten, legen Sie zuerst den Holzkohlerost (20) in den Grillkessel (22). Anschliessend positionieren Sie den Grillrost-klein (19) mit den Roststäben nach unten im Grillkessel (22). Achten Sie darauf, dass der hinterste Roststab exakt im Haltehaken-klein (26) positioniert wird (siehe Abb. C / Detail X), um den Grillrost-klein (19) in seiner Position zu sichern.

Als Nächstes legen Sie den Grillrost-gross (16) mit den Grillstäben nach oben auf den oberen Rand des Grillkessels (22) in die vorgesehenen Aussparungen am Grillkessel (22). Achten Sie dabei ebenfalls darauf, den Grillrost-gross (16) im Haltehaken-gross (25) zu positionieren (siehe Abb. C / Detail Y)

Grill mit Drehspieß (17)

Wenn Sie den BODUM® Cone-Grill mit Drehspieß und Grillmotor verwenden möchten, legen Sie als erstes den Holzkohlerost (20) in den Grillkessel (22). Stecken Sie die beiden Positionshaken (9) auf den Drehspieß (17) und schrauben Sie diese in der gewünschten Position fest. Die Positionshaken (9) dienen dazu, dass sich das Grillgut auf dem Drehspieß (17) gleichmässig mitdreht. Legen Sie nun eine Batterie (LR20, 1,5 V / D, nicht mitgeliefert) in den Grillmotor (12) ein und stecken Sie den Grillmotor von der Seite in die Motorhalteplatte (11). Führen Sie den Drehspieß (17) durch das Loch am Grillkessel (22) und der Motorhalteplatte (11) in das Vierkantloch des Grillmotors (12) und das andere Ende des Drehspießes in den Aufnahmeschlitz (21) im Grillkessel ein. Achten Sie dabei darauf, dass sich die Anschlagscheibe (18) des Drehspießes (17) innerhalb des Grillkessels (22) befindet. Diese verhindert ein Herausfallen des Drehspießes während des Grillens.

HINWEIS! Wenn Sie mit dem Drehspieß grillen, dürfen Grillrost-klein (19) und Grillrost-gross (16) nicht montiert werden. Um den Holzkohlerost (20), den Grillrost-klein (19) sowie den Grillrost-gross (16) in den Grill einzusetzen oder aus dem Grill zu nehmen, verwenden Sie bitte immer ein geeignetes Grillbesteck (BODUM® FYRKAT Grillbesteck) und Grillhandschuhe.

Wir empfehlen Ihnen, den BODUM® Cone-Grill und die Holzkohle vor dem ersten Gebrauch mindestens 30 Minuten durchglühen zu lassen.

Maximale Füllmenge der Kohle: 6 cm über dem Holzkohlerost.

GEFAHRENHINWEISE

Die Nichtbeachtung dieser Sicherheitshinweise und Vorsichtsmassnahmen kann zu ernsthaften Verletzungen oder Schäden führen. Zudem kann eine unsachgemässe Montage des BODUM®-Grills grosse Gefahren bergen. Halten Sie sich an die Montageanweisungen in dieser Gebrauchsanweisung.

- Verwenden Sie den Grill erst, wenn alle Teile ordnungsgemäss montiert und befestigt sind.
- Vergewissern Sie sich vor jedem Grillieren, dass der Ascheauffangbehälter ordnungsgemäss eingesetzt ist. Der Grill darf nicht ohne montierten Ascheauffangbehälter (23) betrieben werden.
- Nicht in geschlossenen Räumen verwenden! Der BODUM® Cone-Grill ist nur für den Gebrauch im Freien entwickelt. In Räumen können sich giftige Rauchgase entwickeln. Verwenden Sie den Grill niemals unter brennbaren Dächern oder Unterständen oder in einer Garage oder Ähnlichem.
- Geben Sie niemals die Zündflüssigkeit oder mit ihr getränkte Holzkohle auf heisse oder warme Kohle! Bitte verschliessen Sie nach Gebrauch den Flüssigkeitsbehälter und bewahren Sie ihn in sicherer Entfernung vom Grill auf.
- **VORSICHT!** Keinen Spiritus, kein Benzin oder vergleichbare Flüssigkeiten zum Anzünden oder Wiederanzünden verwenden! Verwenden Sie nur Feueranzünder gemäss EN1860-3!
- **ACHTUNG!** Wenn Sie Zündflüssigkeiten verwenden, stellen Sie sicher, dass sich im Ascheauffangbehälter (23) und im Grillkessel (22) keine Flüssigkeiten angesammelt haben.
- **ACHTUNG!** Kinder und Haustiere dürfen sich nicht unbeaufsichtigt in der Nähe eines heissen Grills aufhalten.
- **ACHTUNG!** Der BODUM® Cone-Grill wird sehr heiss und darf während des Betriebs nicht bewegt werden. Lassen Sie den Grill während der Verwendung nie unbeaufsichtigt.
- Grill und brennbares Material sollten mindestens 1,5 m voneinander entfernt sein.
- Stellen Sie den Grill nicht auf eine brennbare Fläche.
- Bitte tragen Sie zum Grillen keine Kleider mit weiten, langen Ärmeln.
- Entfernen Sie die Asche erst, wenn alle Kohlenbriketts vollständig ausgeglüht sind und die Asche abgekühlt ist.
- Entsorgen Sie niemals heisse Asche oder noch glühende Kohlenbriketts oder Kohlereste. Brandgefahr!
- Um den Grill zu verschieben, heben Sie ihn leicht am Haltegriff (10) an und platzieren ihn an der gewünschten Stelle. Verschieben Sie den Grill nie in heissem Zustand! Warten Sie, bis der Grill und die Kohlen abgekühlt sind, bevor Sie den Grill verschieben oder anheben.
- Hängen Sie keine schweren sowie brennbaren oder hitzeempfindlichen Gegenstände an die Motorhalteplatte mit Grillbesteckhaken (11). Die Grillbesteckhaken sind nur für die Verwendung mit BODUM® Grillbesteck gedacht.
- Verwenden Sie nur den mitgelieferten Grillmotor (12) und schützen Sie ihn vor Hitze, Kälte und Feuchtigkeit.
- Entfernen Sie die Batterie aus dem Grillmotor (12), wenn Sie den Grillmotor für längere Zeit nicht verwenden, um ein Auslaufen der Batterie zu verhindern.
- Grillen Sie nicht bei starkem Wind.
- Der BODUM® Cone-Grill ist nicht für die Montage oder Verwendung in Caravans, Campingwagen oder auf Booten vorgesehen.
- Der BODUM® Cone-Grill darf nicht als Heizung verwendet werden.

SICHERHEITSHINWEISE

Stellen Sie Ihren BODUM® Cone-Grill vor Inbetriebnahme auf einen sicheren Untergrund. Bitte nie kippen oder schräg stellen!

- Vergewissern Sie sich vor jeder Verwendung, dass der Ascheauffangbehälter (23) montiert und die Lüftungsöffnungen (24) geöffnet sind.
- Wenn Sie einen Anzündturm (BODUM® FYRKAT Chimney Starter) verwenden, um die Kohlen anzuzünden: Stellen Sie sicher, dass während des Umfüllens der glühenden Kohlen die Lüftungsöffnungen (24) am Ascheauffangbehälter (23) geschlossen sind. Öffnen Sie die Lüftungsöffnungen am Ascheauffangbehälter erst wieder, nachdem Sie die gesamte Kohle in den BODUM® Cone-Grill umgefüllt haben.
- Legen Sie die Holzkohlen immer auf den Holzkohlenrost (20), nicht direkt auf den Boden des Grillkessels (22) oder in den Ascheauffangbehälter (23).
- Berühren Sie weder den Grill noch den Rost, um festzustellen, ob er heiss ist.
- Tragen Sie beim Grillen und beim Einstellen der Lüftungsöffnungen (24) zum Schutz Ihrer Hände stets Grillhandschuhe oder nehmen Sie dazu Topflappen.
- Verwenden Sie ein Grillbesteck (BODUM® FYRKAT Grillbesteck) mit langen Griffen.
- Wenn Sie die Holzkohlen löschen wollen, schliessen Sie die Lüftungsöffnungen (24) am Ascheauffangbehälter (23) und warten Sie, bis sich die Kohlen und alle Teile des Grills komplett abgekühlt haben. Löschen Sie die Holzkohle nicht mit Wasser, da dadurch die emaillierte Oberfläche beschädigt werden kann.
- Verwenden Sie kein Wasser, um aufflammendes Fett zu löschen. Platzen Sie stattdessen Ihr Grillgut an einer anderen Stelle auf dem Grillrost (16 / 19) und warten Sie einige Sekunden, bis das aufflammende Fett verbrannt ist.
- Heisse Elektroanzünder müssen Sie vorsichtig handhaben und an einem sicheren Ort aufbewahren. Beachten Sie bitte die entsprechende Bedienungsanleitung.
- Bitte halten Sie Elektrokabel von heissen Flächen fern.

NÜTZLICHE HINWEISE

- Warten Sie nach dem Anzünden der Holzkohle ca. 25 bis 30 Minuten mit dem Grillen, bis die Holzkohle mit einer dünnen grauen Schicht bedeckt ist.
- Die Lüftungsöffnungen (24) am Ascheauffangbehälter (23) sollten während des Grillens immer offen bleiben. Tragen Sie zum Einstellen der Lüftungsöffnungen stets Grillhandschuhe.
- Verwenden Sie nur Holzkohlen- oder Kokosbriketts guter Qualität und bewahren Sie diese trocken auf, da sie leicht Feuchtigkeit aufnehmen und in diesem Zustand schlecht brennen. Wollen Sie die Briketts im Freien lagern, nehmen Sie dazu am besten einen wetterfesten Behälter mit fest schliessendem Deckel.
- Falls Sie Zündflüssigkeit verwenden, lassen Sie diese vor dem Anzünden einige Minuten in die Holzkohle eindringen. ACHTUNG! Achten Sie darauf, dass sich im Grillkessel (22) und im Ascheauffangbehälter (23) keine Zündflüssigkeit ansammelt.
- Dieser Grill ist für das Grillen mit Grillrost sowie für das Grillen mit Drehspieß geeignet. Wenden Sie die entsprechende Grillmethode gemäss Ihrem Rezept an. Tipps für diese beiden Grillmethoden finden Sie in der Rubrik «Tipps fürs 'Grillen mit Grillrost' und 'Grillen mit Drehspieß'».
- Verwenden Sie einen Bratenheber (BODUM® FYRKAT Grillschaufel) oder eine Grillzange (BODUM® FYRKAT Grillzange), um das Grillgut zu wenden. Vermeiden Sie, mit spitzen Gegenständen ins Fleisch zu stechen, da sonst Bratensaft und Aroma entweichen.
- Drehen Sie das Grillgut nach Möglichkeit nur einmal um. Befolgen Sie hierzu die Tipps Ihres Rezepts.
- Bestreichen Sie den Grillrost (16 / 19) nie direkt mit Öl. Um eine gleichmässige braune Oberfläche zu erzielen und ein allfälliges Ankleben am Grillrost zu vermeiden, kann es helfen, wenn Sie Ihr Grillgut leicht mit Öl bestreichen.
- Legen Sie Ihren Grill nicht mit Aluminiumfolie aus, da dadurch der Luftstrom behindert werden kann.

TIPPS FÜRS «GRILLEN MIT GRILLROST» UND «GRILLEN MIT DREHSPIESS»

Bitte lesen Sie vor dem Grillen alle Anweisungen und Tipps genau durch. Der BODUM® Cone-Grill ist für zwei unterschiedliche Grillarten geeignet: Grillen mit Grillrost sowie Grillen mit Drehspieß.

GRILLEN MIT GRILLROST

Durch die beiden übereinander liegend angeordneten Grillroste (16 / 19) lassen sich die Speisen mit unterschiedlicher Hitzeintensität zubereiten. Der untere Grillrost-klein (19) eignet sich hervorragend für Grillgut, das bei grosser Hitze zügig gegart werden muss (z. B. Steaks, Schaschlik, Koteletts etc.).

Der obere Grillrost-gross (16) eignet sich ausgezeichnet für Grillgut, das bei kleinerer Hitze über eine längere Zeit gegart werden muss (z. B. Gemüse, Würste, Hühnchen oder Fischfilets etc.).

GRILLEN MIT DREHSPIESS UND GRILLMOTOR

Der BODUM® Cone-Grill lässt sich sehr leicht und einfach in einen Grill mit Drehspieß (17) umbauen. Dank des mitgelieferten Grillmotors (12) wird das Grillgut mit dem Drehspieß rundum gleichmässig gegart.

Stecken Sie das Grillgut möglichst zentriert und kompakt auf den Drehspieß (17) und fixieren Sie das Grillgut mit beiden Positionshaken (9) auf dem Drehspieß. Platzieren Sie das Grillgut möglichst in der Mitte des Grills, um eine gleichmässige Gewichtsverteilung zu erzielen.

Die exakte Gardauer kann je nach Art und Grösse des Grillgutes stark variieren. Befolgen Sie darum unbedingt die Tipps Ihres Rezepts.

Vorsicht! Auf glühende Kohlen tropfendes Fett vom Grillgut kann Stichflammen erzeugen. Löschen Sie diese Flammen nicht mit Wasser. Ordnen Sie stattdessen die Grillkohlen auf dem Holzkohlenrost (20) so an, dass kein Fett auf die glühenden Kohlen tropfen kann.

Maximales Gewicht des Grillguts für die Verwendung am Drehspieß: 2 kg.

PFLEGEHINWEISE

Sie können die Lebensdauer Ihres BODUM® Cone-Grills um Jahre verlängern, wenn Sie ihn einmal pro Jahr gründlich reinigen. Verwenden Sie zum Reinigen des Grillrosts, Drehspießes und Grills keine scharfen Gegenstände und Scheuermittel, da diese die Oberfläche beschädigen.

Befolgen Sie zur Reinigung diese einfachen Schritte:

- Stellen Sie sicher, dass der Grill abgekühlt ist und dass alle Kohlen ausgeglüht sind.
- Entfernen Sie die Asche.
- Nehmen Sie Grillrost oder Drehspieß und Holzkohlenrost heraus und entfernen Sie den Grillmotor.
- Waschen Sie den Grill mit einem milden Reinigungsmittel und Wasser. Spülen Sie ihn gründlich mit klarem Wasser ab und wischen Sie ihn trocken.
- Der Grillrost braucht nicht nach jedem Grillen gereinigt zu werden. Einfach die Reste mit einer Messingdrahtbürste oder mit zusammengeknüllter Aluminiumfolie lösen und dann mit Küchenkrepp abwischen.
- Wischen Sie den Grillmotor mit einem leicht feuchten Tuch sauber. Tauchen Sie den Grillmotor niemals in Wasser ein.

BIENVENUE EN PLEIN AIR !

Manger dehors est l'activité par excellence qui incarne la venue du printemps et de l'été. Et avec un barbecue de première classe, le plaisir n'en est que plus intense. Quelles que soient vos préférences, un steak bien tendre, une saucisse croustillante ou même un légume grillé, avec le gril cône BODUM® « FYRKAT », vous avez fait le bon choix pour passer un été entre amis. Si « l'habit ne fait pas le moine », le barbecue fait le cuisinier : c'est l'occasion pour tout le monde de devenir un véritable chef ! Et si vous ne vous laissez pas trop tenter par des sauces un peu riches, la grillade peut être non seulement savoureuse, mais aussi saine et légère, surtout si vous apprêtez des viandes maigres, du poisson et des légumes.

Nous vous souhaitons un bon appétit !

Il ne nous reste plus qu'à vous prier de lire attentivement le présent mode d'emploi. Vous y trouverez non seulement des consignes indispensables à votre sécurité mais également de précieux conseils de cuisson de vos grillades pour le plus savoureux des étés.

Votre équipe de conception BODUM®

NOTICE DE MONTAGE

COMPOSANTS DU GRILL

1. Vis M5 (x 8)
2. Vis M6 (x 6)
3. Ecrou M5 (x 8)
4. Ecrou M6 (x 6)
5. Ecrou borgne M6 (x 3)
6. Rondelle Ø 5 mm (x 16)
7. Rondelle Ø 6 mm (x 9)
8. Rondelle d'arrêt Ø 6 mm (x 6)
9. Fourche de positionnement (x 2)
10. Poignée
11. Plaque de support du moteur avec crochets à ustensiles
12. Moteur de gril (à pile 1 x LR20/1,5 V / D, non fournie)
13. Pied avec équerre (x 3)
14. Pied avec semelle (x 3)
15. Stabilisateur
16. Grand gril
17. Broche
18. Disque de butée
19. Petit gril
20. Grille pour charbon de bois
21. Fente de passage de broche
22. Cuve
23. Cendrier
24. Orifices de tirage
25. Support grand gril
26. Support petit gril

INSTRUCTIONS DE MONTAGE

Figure A

Attention ! A cette étape du montage, ne serrez pas les vis et les écrous, avancez-les seulement.

Posez la cuve (22) avec précaution sur une surface plane et montez les trois pieds à équerre (13) l'un après l'autre sur la cuve (22). Utilisez deux vis M6 (2), deux rondelles Ø 6 mm (7), deux rondelles d'arrêt Ø 6 mm (8) et deux écrous M6 (4) par pied. Enfilez dans chaque pied à équerre (13) un pied avec semelle (14) et consolidez les pieds au moyen du stabilisateur (15), des rondelles (7) et des écrous à chapeau (5) selon la figure A. Serrez ensuite suffisamment les vis et écrous du gril pour immobiliser les pièces.

Figure B

Posez le gril sur ses pieds, sur une surface stable et plane, de façon à monter le cendrier (23) sur la cuve (22). Les orifices de tirage (24) situés sur le cendrier (23) s'ouvrent et se referment lorsque vous tournez le cendrier. Lorsque le gril est en cours d'utilisation, les orifices de tirage (24) du cendrier doivent rester autant que possible ouverts de façon à garantir une circulation d'air suffisante.

Montez maintenant la poignée (10) et la plaque de support du moteur avec les crochets à ustensiles (11) sur la cuve (22) au moyen des vis M5 (1), des rondelles Ø 5 mm (6) et des écrous M5 (3).

Figures C et D

Le gril cône BODUM® « FYRKAT » a deux modes d'utilisation : en gril (avec 16 / 19) et en rôtissoire (à broche, 17). Reportez-vous aux instructions de montage correspondantes des figures C et D.

Gril (figure C)

Si vous souhaitez utiliser le gril cône BODUM® en gril, placez d'abord la grille à charbon de bois (20) dans la cuve (22). Disposez ensuite le petit gril (19) dans la cuve (22), ses barres tournées vers le bas. Attention ! La barre située le plus en arrière rentre exactement dans le crochet du support (26) (voir figure C / détail X), de façon à bien bloquer le petit gril (19) en position.

Posez ensuite le grand gril (16) sur les encoches du bord supérieur de la cuve (22) prévues à cet effet, barres de grille tournées vers le haut. Veillez également à bien disposer le grand gril (16) sur le crochet de support (25) (voir figure C / détail Y)

Rôtissoire à broche (17)

Si vous souhaitez utiliser le gril cône BODUM® en rôtissoire, avec broche et moteur, placez d'abord la grille à charbon de bois (20) dans la cuve (22). Enfilez les deux fourches de positionnement (9) sur la broche (17) et vissez-les dans la position voulue. Ces fourches (9) sont prévues pour entraîner les aliments régulièrement avec la broche (17). Insérez maintenant une pile (LR20, 1,5 V / D, non fournie) dans le moteur du gril (12) et enfitez le moteur du gril de côté dans la plaque de support du moteur (11). Introduisez la broche (17) par le trou prévu dans la cuve (22) et la plaque de support du moteur (11) dans le trou carré du moteur du gril (12) et l'autre extrémité de la broche dans la fente de passage (21) de la cuve. Veillez à ce que le disque de butée (18) de la broche (17) se trouve à l'intérieur de la cuve (22). Il est prévu pour empêcher la broche de sortir et tomber lorsqu'elle fonctionne.

Remarque ! Lorsque vous utilisez la broche, ne montez ni le petit (19) ni le grand gril (16).

Pour placer la grille à charbon de bois (20), le petit gril (19) ou le grand gril (16) sur le gril ou pour les en retirer, utilisez toujours les ustensiles (ustensiles de gril BODUM® FYRKAT) et des gants de gril.

Nous vous recommandons avant la première utilisation de votre gril cône BODUM® de le faire chauffer énergiquement pendant au moins 30 minutes.

Quantité maximale de charbon de bois : 6 cm au-dessus de la grille à charbon de bois.

DANGERS

Le non-respect des instructions et des consignes de sécurité peut entraîner des blessures graves ou des dégâts matériels. En outre, si le montage du gril cône BODUM® n'est pas correct, l'appareil peut se révéler dangereux. Respectez soigneusement les instructions de montage de ce mode d'emploi.

- N'utilisez votre gril qu'après en avoir monté et fixé correctement toutes les pièces.
- Vérifiez avant toute utilisation que le cendrier est correctement posé. N'utilisez jamais le gril sans avoir monté son cendrier (23).
- N'utilisez pas l'appareil dans un local fermé ! Le gril cône BODUM® est conçu pour être utilisé en plein air et uniquement en plein air. La combustion dégage des gaz que leur concentration dans un local rend toxiques. N'utilisez jamais le gril sous un toit inflammable ni posé sur une surface inflammable ni dans un garage ou un local semblable.
- Ne versez jamais d'allume-feu liquide ou du charbon de bois imbibé sur du charbon chaud ou brûlant ! Refermez bien après emploi le récipient contenant le liquide et conservez-le à l'abri, à une distance suffisante du gril.
- PRUDENCE ! N'utilisez pas de liquides comme l'alcool, l'essence, etc. pour allumer ou rallumer le feu ! N'utilisez que des allume-feu conformes à la norme EN1860-3 !
- ATTENTION ! Si vous utilisez un allume-feu liquide, veillez à ne pas laisser le liquide s'écouler dans le cendrier (23) ou dans la cuve (22).
- ATTENTION ! Ne laissez jamais un enfant ou un animal domestique sans surveillance à proximité du gril chaud.
- ATTENTION ! Le gril gril cône BODUM® chauffe énormément : ne le déplacez pas en cours d'utilisation. Ne laissez jamais le gril sans surveillance en cours d'utilisation.
- Eloignez d'au moins 1,5 m du gril tout matériel inflammable.
- Ne placez pas votre gril sur une surface inflammable.
- Ne portez pas de vêtements à manches longues amples lorsque vous faites des grillades.
- N'enlevez la cendre que lorsque toutes les braises de briquettes de charbon sont éteintes et que la cendre est froide.
- Ne jetez jamais de cendre brûlante ni de briquettes ou de résidus de charbon encore incandescents. Danger d'incendie !
- Pour déplacer le gril, soulevez-le légèrement par sa poignée (10) et placez-le à l'emplacement voulu. Ne déplacez jamais le gril lorsqu'il est chaud ! Attendez que le gril et le charbon ait refroidi avant de soulever ou de déplacer le gril.
- N'accrochez pas d'objets combustibles ou sensibles à la chaleur sur la plaque de support de moteur avec crochets à ustensiles (11). Les crochets à ustensiles de gril ne sont conçus que pour les ustensiles BODUM®.
- N'utilisez que le moteur de gril (12) fourni et protégez-le de la chaleur, du froid et de l'humidité.
- Sortez la pile du moteur de gril (12) lorsque vous ne l'utilisez pas pendant un temps assez long de façon à éviter à la pile de s'user.
- N'utilisez pas le gril par fort vent.
- Le gril BODUM® n'est pas conçu pour être installé ni utilisé dans une caravane un camping-car ou un bateau.
- Il est interdit d'utiliser le gril cône BODUM® comme chauffage.

CONSIGNES DE SECURITE

Avant de mettre en service votre gril cône BODUM®, posez-le sur un sol sûr. Ne le posez jamais de travers ou en déséquilibre !

- Assurez-vous avant toute utilisation du montage correct du cendrier (23) et vérifiez que les orifices de tirage (24) sont bien ouverts.
- Si vous utilisez une colonne d'allumage (BODUM® -FYRKAT Chimney Starter) pour allumer le charbon : Assurez-vous que les orifices de tirage (24) du cendrier (23) sont fermés quand vous transvasez le charbon chaud. Rouvrez les orifices de tirage du cendrier après avoir transvasé l'intégralité du charbon de bois dans le gril cône BODUM®.
- Mettez toujours le charbon de bois sur la grille à charbon de bois (20) et non directement dans la cuve (22) du gril ou dans le cendrier (23).
- Ne touchez jamais le gril ou la grille pour vérifier s'ils sont chauds.
- Lorsque vous faites vos grillades ou réglez les orifices de tirage (24), portez toujours des gants ou des maniques pour vous protéger les mains.
- Utilisez un ustensile à long manche pour grillades (BODUM® FYRKAT).
- Lorsque vous souhaitez éteindre le charbon de bois, fermez les orifices de tirage (24) du cendrier (23) et attendez le refroidissement complet des charbons et de toutes les pièces du gril. N'éteignez pas les charbons à l'eau, vous risqueriez d'endommager la surface émaillée.
- N'utilisez pas d'eau pour éteindre de la graisse enflammée. Déplacez les aliments sur le gril (16 / 19) et patientez quelques secondes que la graisse se soit consommée.
- Manipulez avec prudence les allume-feu électriques chauds et rangez-les dans un endroit sûr. Reportez-vous à leur mode d'emploi.
- Eloignez les câbles électriques des surfaces brûlantes.

QUELQUES CONSEILS

- Après avoir allumé le charbon de bois, attendez de 25 à 30 minutes avant de commencer la grillade, que le charbon de bois soit recouvert d'une fine couche grise.
- Quand le gril fonctionne, les orifices de tirage (24) du cendrier (23) doivent rester toujours ouverts. Portez des gants de protection de gril pour régler les ouvertures de tirage.
- N'utilisez que du charbon de bois ou des briquettes de coco de bonne qualité et conservez-les dans un endroit sec, car ils prennent facilement l'humidité ce qui empêcherait une bonne combustion. Si vous stockez vos briquettes en plein air, utilisez un récipient étanche aux intempéries et fermé de façon étanche par un couvercle.
- Si vous utilisez de l'allume-feu liquide, laissez-le pénétrer quelques minutes dans le charbon de bois. ATTENTION ! Evitez de laisser couler du liquide allume-feu dans la cuve (22) ou dans le cendrier (23).
- Cet appareil peut fonctionner comme gril ou comme rôtissoire. Utilisez la méthode de cuisson adaptée à votre recette. Vous trouverez des conseils pour les deux méthodes de cuisson à la rubrique « Conseils pour utilisation « en gril » et utilisation « en rôtissoire ».
- Utilisez une spatule pour barbecue (spatule BODUM® FYRKAT) ou une pince pour barbecue (pince BODUM® FYRKAT) pour retourner vos grillades. Evitez de piquer la viande avec un ustensile pointu, vous feriez partir le jus et perdriez en arôme.
- Si possible, ne retournez la grillade qu'une seule fois. Suivez sur ce point votre recette.
- Ne badigeonnez jamais directement le gril (16 / 19) à l'huile. Si vous passez une légère couche d'huile sur votre grillade, elle prendra une belle couleur brune uniforme sur toute sa surface et vous lui éviterez de coller au gril.
- Ne recouvrez pas le gril avec une feuille d'aluminium, vous empêcheriez l'air de circuler.

CONSEILS POUR « UTILISATION EN GRIL » ET « UTILISATION EN RÔTISSOIRE »

Lisez soigneusement tous les conseils et toutes les instructions avant de commencer la grillade. Le gril cône BODUM® est conçu pour deux modes d'utilisation : en gril ou en rôtiSSOIRE.

UTILISATION EN GRIL

Les mets se cuisent à des températures différentes grâce aux deux grils (16 / 19) superposés. Le petit gril inférieur (19) est remarquable pour les grillades qui demandent une cuisson rapide à température élevée (p. ex. biftecks, brochettes, côtelettes, etc.).

Le grand gril supérieur (16) est remarquable pour les grillades qui demandent une cuisson relativement longue à température modérée (p. ex. légumes, saucisses, poulets ou filets de poisson, etc.).

RÔTISSOIRE AVEC BROCHE ET MOTEUR DE GRIL

Il est très facile et très simple de transformer le gril cône BODUM® en rôtiSSOIRE à broche (17). Grâce au moteur fourni (12), les mets se cuisent à la broche régulièrement tout autour.

Centrez et disposez de façon aussi serrée que possible les mets sur la broche (17) et bloquez-les avec les deux fourches (9) sur la broche. Centrez au mieux les mets sur le foyer, de façon à ce que le poids soit régulièrement réparti.

La durée exacte de cuisson varie fortement avec la nature du met et ses dimensions. Suivez donc impérativement votre recette ou demandez conseil à votre boucher.

Prudence ! Les gouttes de graisse qui tombent sur les braises peuvent donner lieu à des flammes. N'éteignez pas ces flammes à l'eau. Au lieu de cela, arrangez-vous pour disposer le charbon sur la grille de charbon de bois (20) de telle façon que la graisse ne tombe pas sur les braises.

Poids maximum à rôtir sur la broche : 2 kg.

CONSEIL D'ENTRETIEN

Vous pouvez allonger la durée de votre gril cône BODUM® de plusieurs années en le nettoyant à fond une fois par an. N'utilisez pas d'objets tranchants ou de produits abrasifs pour nettoyer l'appareil, ses grils et sa broche, vous endommageriez leur surface.

Un bon nettoyage procédera de la façon suivante :

- Assurez-vous que le gril s'est suffisamment refroidi et que toutes les braises sont éteintes.
- Enlevez les cendres.
- Sortez les grils ou la broche et la grille à charbon et enlevez le moteur.
- Lavez le gril à l'eau avec un détergent non agressif. Rincez-le à fond à l'eau claire et essuyez-le pour le sécher.
- Il n'est pas nécessaire de nettoyer les grils après chaque utilisation. Retirez simplement les restes avec une brosse métallique (laiton) ou une feuille d'aluminium froissée, essuyez ensuite avec de l'essuie-tout.
- Essuyez proprement le moteur avec un chiffon légèrement humide. Ne plongez jamais le moteur dans l'eau.

VELKOMMEN I DET FRI!

Er der noget, vi forbinder mere med forår og sommer end at spise udendørs? Og hvad gør oplevelsen mere perfekt end en rigtig, førsteklasses grillfest? Hvad du end foretrækker – en solid steak, en sprød pølse eller måske grillede grøntsager – så har du ved at vælge BODUM®'s keglegrill "FYRKAT" gjort, hvad du kunne for at gøre sommeren til en rigtig hyggelig oplevelse. En grillfest er vel den eneste kulinariske begivenhed, hvor ordsproget "For mange kokke fordærver maden" ikke passer: Her er der mange chefkokke. Hvis du ikke hører til dem, der har en svaghed over for sauce, er grillmad ikke blot særdeles velsmagende, men også sundt og let, specielt når det drejer sig om kød med lavt fedtindhold, fisk og grøntsager.

Vi ønsker velbekomme!

Vi har kun tilbage at bede dig om at læse denne brugsanvisning med vigtige sikkerheds- og fareanvisninger samt værdifulde grilltips omhyggeligt og – naturligvis – at ønske dig en rigtig god sommer.

Dit BODUM®-design-team

MONTERINGSANVISNING:

OPSTILLING AF GRILL

1. Skrue M5 (8 stk.)
2. Skrue M6 (6 stk.)
3. Møtrik M5 (8 stk.)
4. Møtrik M6 (6 stk.)
5. Topmøtrik M6 (3 stk.)
6. Spændeskive Ø 5 mm (16 stk.)
7. Spændeskive Ø 6 mm (9 stk.)
8. Sikringsskive Ø 6 mm (6 stk.)
9. Positionskrog (2 stk.)
10. Holdegreb
11. Motorholdeplade med krog til grillbestik
12. Grillmotor (batteridrevet 1 x LR20/1,5 V / D, medfølger ikke)
13. Stativben med vinkel (3 stk.)
14. Stativben med fod (3 stk.)
15. Stabilisator
16. Grillrist, stor
17. Drejespyd
18. Anslagskive
19. Grillrist, lille
20. Trækulsrist
21. Holdespalte til spid
22. Grillskål
23. Askeopsamlingsbeholder
24. Ventilationsåbninger
25. Holdekrog, stor
26. Holdekrog, lille

MONTERINGSANVISNING

Figur A

Giv agt! Spænd ikke skruer og møtrikker stramt ved nedenstående monteringstrin.

Stil forsigtigt grillskålen (22) på et jævnt underlag, og monter de tre stativben med vinkel (13) efter hinanden på grillskålen (22). Anvend to skruer M6 (2), to spændeskiver Ø 6 mm (7), to sikringsskiver Ø 6 mm (8) og to møtrikker M6 (4) til hvert stativben. Derefter føres et stativben med fod (14) ind i hvert stativben med (13), og stativbenene fastgøres ved hjælp af stabilisator (15), spændeskiver (7) og topmøtrikker (5) i henhold til fig. A. Spænd nu samtlige skruer og møtrikker på grillen så meget, at alle dele sidder fast.

Figur B

Stil grillen på stativbenene på et fast og jævnt underlag, og monter askeopsamlingsbeholderen (23) på grillskålen (22). Ventilationsåbningerne (24) i askeopsamlingsbeholderen (23) kan åbnes og lukkes ved at dreje askeopsamlingsbeholderen. For at grille skal ventilationsåbningerne (24) i askeopsamlingsbeholderen så vidt muligt stå åbne for at sikre tilstrækkelig luftcirkulation.

Monter nu holdegrebet (10) og motorholdepladen med krog til grillbestik (11) på grillskålen (22) ved hjælp af skruer M5 (1), spændeskiver Ø 5 mm (6) og møtrikker M5 (3).

Figur C og D

BODUM® "FYRKAT" keglegrill kan anvendes på to måder: som grill med grillrist (16/19) og som grill med drejespyd (17). Følg de tilhørende monteringsanvisninger i figur C og D.

Grill med grillrist (figur C)

Hvis du vil anvende BODUM® keglegrill med grillrist, skal du først lægge trækulsristen (20) i grillskålen (22). Derefter placeres den lille grillrist (19) i grillskålen (22) med ristens tremmer nedad. Sørg for, at den bagerste tremme placeres nøjagtigt i den lille holdekrog (26) (se fig. C / detalje X) for at fastgøre den lille grillrist (19) i sin position.

Som det næste lægges den store grillrist (16) med tremmerne opad på grillskålens (22) øverste kant i de dertil beregnede noter i grillskålen (22). Sørg også for at placere den store grillrist (16) i den store holdekrog (25) (se fig. C / detalje Y)

Grill med drejespyd (17)

Hvis du vil anvende BODUM® keglegrill med drejespyd og grillmotor, skal du som det første lægge trækulsristen (20) i grillskålen (22). Sæt de to positionskroge (9) på drejespyddet (17), og skru det fast i den ønskede position. Positionskroge (9) gør, at maden på drejespyddet (17) drejer regelmæssigt med. Sæt nu et batteri (LR20, 1,5 V / D, medfølger ikke) i grillmotoren (12), og sæt grillmotoren ind i motorholdepladen (11) fra siden. Før drejespyddet (17) igennem hullet i grillskålen (22) og motorholdepladen (11) ind i det firkantede hul i grillmotoren (12) og den anden ende af drejespyddet ind i holdenoten (21) i grillskålen. Sørg for, at anslagsskiven (18) på drejespyddet (17) befinder sig inden for grillskålen (22). Det forhindrer, at drejespyddet falder ud under grilningen

Bemærk! Hvis du griller med drejespyddet, må den lille grillrist (19) og den store grillrist (16) ikke monteres.

Anvend altid egnet grillbestik (BODUM® FYRKAT grillbestik) og grillhandsker til at sætte trækulsristen (20), den lille grillrist (19) og den store grillrist (20) ned i eller tage dem ud af grillen.

Vi anbefaler, at lade BODUM® keglegrillen og trækullene gløde igennem i mindst 30 minutter før første brug.

Maksimal kulmængde: 6 cm over trækulsristen.

FAREANVISNINGER

Manglende overholdelse af disse sikkerhedsanvisninger og forsigtighedsregler kan medføre alvorlige kvæstelser eller beskadigelser. Derudover kan forkert montering af BODUM®-grillen indebære store farer. Overhold monteringsanvisningen i denne brugsanvisning.

- Anvend først grillen, når alle dele er monteret og fastgjort korrekt.
- Kontrollér, at askeopsamlingsbeholderen er sat korrekt på før hver brug. Grillen må ikke anvendes uden monteret askeopsamlingsbeholder (23).
- Må ikke anvendes i lukkede rum! BODUM®-keglegrillen er kun beregnet til udendørs brug. Indendørs kan der udvikles giftige røggasser. Grillen må ikke anvendes under brændbare tage eller halvtage, i en garage eller lignende.
- Hæld ikke tændvæske eller trækul vædet med tændvæske på glødende eller varme kul! Luk væskebeholderen efter brug, og opbevar den i sikker afstand af grillen.
- **FORSIGTIG!** Anvend ikke sprit, benzin eller lignende væsker til optænding eller genoptænding! Anvend kun tændere i henhold til EN1860-3!
- **GIV AGT!** Hvis du anvender tændvæske, skal du sørge for, at der ikke opsamles væske i askeopsamlingsbeholderen (23) og i grillskålen (22).
- **GIV AGT!** Børn og husdyr må ikke opholde sig i nærheden af en varm grill uden opsyn.
- **GIV AGT!** BODUM® keglegrillen bliver meget varm og må ikke flyttes, mens den er i brug. Lad ikke grillen stå uden opsyn, mens den er i brug.
- Grill og brændbart materiale skal have en afstand på mindst 1,5 m fra hinanden.
- Grillen må ikke stilles på et brændbart underlag.
- Bær ikke tøj med lange, løstsiddende ærmer, når du griller.
- Fjern først asken, når alle kulbriketterne er brændt helt ud, og asken er kølet af.
- Bortskaf aldrig varm aske eller kulbriketter eller kulrester, der stadig gløder. Brandfare!
- Flyt grillen ved at løfte den let i holdegrebet (10), og placer den på det ønskede sted. Grillen må ikke flyttes, mens den er varm! Vent, indtil grillen og kullene er kølet af, før grillen flyttes eller løftes.
- Hæng ikke tinge samt brændbare eller varmfølsomme genstande på motorholdepladen med krog til grillbestik (11). Krogen til grillbestik er kun beregnet til brug med BODUM® grillbestik.
- Anvend kun den medfølgende grillmotor (12), og beskyt den mod varme, kulde og fugt.
- Tag batteriet ud af grillmotoren (12), hvis grillmotoren ikke skal anvendes i længere tid, for at forhindre, at batteriet bliver brugt op.
- Brug ikke grillen i kraftig vind.
- BODUM®-grillen er ikke beregnet til montering eller brug i husvogne, campingvogne eller på både.
- BODUM®-keglegrillen må ikke anvendes til opvarmning.

SIKKERHEDSANVISNINGER

Stil din BODUM®-keglegrill på et stabilt underlag før ibrugtagning. Den må ikke vippes eller stilles skråt!

- Kontrollér før hver brug, at askeopsamlingsbeholderen (23 er monteret, og ventilationsåbningerne (24) er åbne.
- Hvis du anvender en grillstarter (BODUM® FYRKAT Chimney Starter) til at tænde kullene: Kontrollér, at ventilationsåbningerne (24) i askeopsamlingsbeholderen (23) er lukket, mens de glødende kul hældes op. Åbn først ventilationsåbningerne i askeopsamlingsbeholderen igen, efter alle kullene er hældt op i BODUM®-keglegrillen.
- Læg altid trækullene på trækulsristen (20), ikke direkte på bunden af grillskålen (22) eller i askeopsamlingsbeholderen (23).
- Rør ikke ved grillen eller risten for at finde ud af, om den er varm.
- Bær altid grillhandsker eller brug grydelapper for at beskytte hænderne, når du griller eller indstiller ventilationsåbningerne (24).
- Anvend grillbestik (BODUM® FYRKAT grillbestik) med lange håndtag.
- Hvis du vil slukke trækullene, skal du lukke ventilationsåbningerne (24) i askeopsamlingsbeholderen (23) og vente, indtil kullene og alle dele af grillen er kølet helt af. Sluk ikke trækullene med vand, da dette kan beskadige emaljen.
- Brug ikke vand til at slukke fedt, som begynder at brænde. Placer i stedet maden, der skal grilles, et andet sted på grillristen (16/19), og vent nogle sekunder, indtil det brændende fedt er brændt af.
- Brug varme eltændere med omtanke, og opbevar dem et sikkert sted. Følg den tilhørende betjeningsvejledning.
- Sørg for, at elledninger ikke kommer i berøring med varme flader.

NYTTIGE RÅD

- Vent 25 til 30 minutter efter optændingen, før du begynder at grille. Trækullene skal være dækket af et tyndt gråt lag.
- Ventilationsåbningerne (24) i askeopsamlingsbeholderen (23) skal altid være åbne under grilningen. Brug altid grillhandsker til indstilling af ventilationsåbningerne.
- Anvend kun trækulsbriketter af god kvalitet, og opbevar dem tørt, da de let optager fugt, og i så fald brænder dårligt. Hvis du vil opbevare briketterne udendørs, er det bedst at anvende en vejrbestandig beholder med tætslutende låg.
- Hvis du anvender tændvæske, skal du lade væsken trænge ind i trækullene i nogle minutter, før du tænder op. GIV AGT! Sørg for, at der ikke samler sig tændvæske forned i grillskålen (22) eller i askeopsamlingsbeholderen (23).
- Denne grill egner sig til grilning med grillrist og til grilning med drejespyd. Anvend det grillprincip, der passer til opskriften. Tip til begge disse grillprincipper findes under overskriften "Tip til 'Grilning med grillrist' og 'Grilning med drejespyd'".
- Anvend en bøfvender (BODUM® FYRKAT grillpalet) eller en grilltang (BODUM® FYRKAT grilltang) til at vende maden, der grilles. Undgå at stikke i kødet med spidse genstande, da kødsaft og smag ellers slipper ud.
- Vend så vidt muligt kun maden, der skal grilles, én gang. Følg vejledningen i opskriften.
- Smør ikke grillristen (16/19) direkte med olie. For at opnå en regelmæssigt brun overflade og undgå, at maden eventuelt klæber fast til grillristen, kan det hjælpe at smøre maden, der skal grilles, let med olie.
- Læg ikke stanniol i bunden af grillen, da det kan blokere luftstrømmen.

TIP TIL "GRILNING MED GRILLRIST" OG "GRILNING MED DREJESPYD"

Læs alle anvisninger og tip omhyggeligt igennem, før du begynder at grille. BODUM®-keglegrillen egner sig til to forskellige grillmåder: Grilning med grillrist og grilning med drejespyd.

GRILNING MED GRILLRIST

Ved hjælp af de to grillriste (16/19), der er placeret ovenover hinanden, kan madvarerne tilberedes med forskellig varmeintensitet. Den nederste lille grillrist (19) egner sig glimrende til mad, der skal tilberedes hurtigt ved høj varme (f.eks. bøffer, grillspid, koteletter osv.).

Den øverste store grillrist (16) egner sig glimrende til mad, der skal tilberedes over længere tid ved lavere varme (f.eks. grøntsager, pølser, kylling eller fiskefileter osv.).

GRILNING MED DREJESPYD OG GRILLMOTOR

BODUM®-keglegrillen kan nemt og enkelt ombygges til en grill med drejespyd (17). Takket være den medfølgende grillmotor (12) bliver maden tilberedt regelmæssigt hele vejen rundt med drejespyddet.

Sæt maden tæt og så centreret som muligt på drejespyddet (17), og fastgør maden på drejespyddet med de to positionskroge (9). Placer så vidt muligt maden i midten af grillen for at opnå en regelmæssig vægtfordeling.

Den nøjagtige tilberedningstid kan variere kraftigt afhængigt af madens type og størrelse. Følg derfor altid vejledningen i opskriften.

Forsigtig! Fedt fra madvarer, der drypper på glødende kul, kan danne stikflammer. Sluk ikke disse flammer med vand. Arranger i stedet grillkullene på trækulsristen (20) således, at der ikke kan dryppe fedt på de glødende kul.

Maksimal vægt af maden ved brug af drejespyd: 2 kg.

PLEJEANVISNINGER

Du kan forlænge levetiden for din BODUM®-keglegrill med flere år, hvis du gør den grundigt ren én gang om året. Anvend ikke skarpe genstande og skuremidler til rengøring af grillristen, drejespyddet og grillen, da dette kan beskadige overfladen.

Følg disse enkle trin ved rengøringen:

- Kontrollér, at grillen er afkølet, og at alle kul brændt helt ud.
- Fjern asken.
- Tag grillrist eller drejespyd og trækulsrist ud, og fjern grillmotoren.
- Vask grillen med vand tilsat et mildt rengøringsmiddel. Skyl grundigt med rent vand, og tør den af.
- Det er ikke nødvendigt at rengøre grillen efter hver grilning. Du skal blot løsne resterne med en messingtrådbørste eller sammenkrøllet stanniol og tørre efter med køkkenrulle.
- Tør grillmotoren ren med en let fugtig klud. Grillmotoren må aldrig dyppes i vand.

¡BIENVENIDO AL AIRE LIBRE!

¿Qué es lo que más asociamos con la primavera y con el verano, más que comer al aire libre? ¿Y qué contribuye a que el disfrute sea más placentero? La respuesta es bien sencilla: una barbacoa de primera calidad. Sean cuales sean sus gustos culinarios - así prefiera una sabrosa chuleta, una crujiente salchicha o incluso verdura a la parrilla - al adquirir la barbacoa cónica BODUM "FYRKAT"® ha tomado usted una decisión acertada. La celebración de una barbacoa es el único evento culinario en el cual no se cumple el conocido dicho de "muchos cocineros dañan la comida". De hecho, en una barbacoa siempre participan muchos cocineros. Si no abusamos de las salsas, que además tienen muchas calorías, la ingesta de alimentos a la barbacoa puede ser no sólo muy sabrosa, sino también sana y ligera, sobre todo si consumimos carne baja en grasa, pescado y verdura.

¡Buen provecho!

Solo nos queda pedirle que lea atentamente este manual de instrucciones con información importante sobre la seguridad y los riesgos, incluso con algunos buenos consejos para preparar una buena barbacoa y - por supuesto - desearles un estupendo verano.

El equipo de diseño BODUM®

INSTRUCCIONES DE MONTAJE:

MONTAJE DE LA BARBACOA

1. Tornillo M5 (8 Unids.)
2. Tornillo M6 (6 Unids.)
3. Tuerca M5 (8 Unids..)
4. Tuerca M6 (6 Unids..)
5. Tuerca hexagonal ciega M6 (3 Unids.)
6. Arandela Ø 5 mm (16 Unids..)
7. Arandela Ø 6 mm (9 Unids..)
8. Arandela Ø 6 mm (6 Unids..)
9. Gancho de posición (2 Unids.)
10. Mango de sujeción
11. Placa de sujeción del motor con ganchos para utensilios de barbacoa
12. Motor para barbacoa (funciona con pilas tipo 1 x LR20/1,5 V/D. Pilas no incluidas)
13. Pata de soporte en ángulo (3 Unids..)
14. Pata de soporte con pie (3 Unids..)
15. Estabilizador
16. Parrilla grande
17. Pincho giratorio
18. Platillo de tope
19. Parrilla pequeña
20. Parrilla para carbón vegetal
21. Hendidura para inserción del pincho giratorio
22. Base de la barbacoa
23. Recipiente de recogida de la ceniza
24. Orificios de ventilación
25. Soporte grande
26. Soporte pequeño

INSTRUCCIONES DE MONTAJE

Figura A

¡Atención! En los pasos de montaje descritos a continuación no debe apretar los tornillos y tuercas; sólo colocarlos.

Coloque la base de la barbacoa (22) con cuidado sobre una superficie plana y monte una por una las tres patas de soporte en ángulo (13) ajustándolas a la base de la barbacoa (22). Utilice para cada pata dos tuercas M6 (2), dos arandelas de Ø 6 mm (7), dos arandelas de seguridad Ø 6 mm (8) y dos tuercas M6 (4). A continuación acople una pata de soporte con pie (14) a cada pata de soporte en ángulo (13) y fije las patas con un estabilizador (15), tuercas (7) y tuercas hexagonales ciegas (5), siguiendo el modelo de la figura A. Apriete ahora todos los tornillos y tuercas de la barbacoa para que todas las piezas queden ajustadas correctamente.

Figura B.

Coloque la barbacoa apoyada sobre las patas, sobre una superficie segura y plana y ajuste el recipiente de recogida de la ceniza (23) a la base de la barbacoa (22). Los orificios de ventilación (24) del recipiente de recogida de la ceniza (23) se pueden abrir y cerrar girando el recipiente de recogida de la ceniza. Al utilizar la barbacoa, los orificios de ventilación (24) deberán permanecer abiertos en la medida de lo posible para garantizar que el aire circule lo suficiente. Ajuste a continuación el mango de sujeción (10) y la placa de sujeción del motor con ganchos para utensilios de barbacoa (11) a la base de la barbacoa utilizando un tornillo M5 (1), una arandela Ø 5 mm (6) y tuercas M5 (3).

Figuras C y D

La barbacoa BODUM cónica "FYRKAT"[®] tiene dos funciones: Función barbacoa con parrilla (16/19) y función barbacoa con pincho giratorio (17). Por favor siga las correspondientes instrucciones de montaje descritas en las figuras C y D.

Barbacoa con parrilla (figura C)

Si desea utilizar la barbacoa cónica BODUM[®] con parrilla, coloque en primer lugar la parrilla para carbón vegetal (20) en la base de la barbacoa (22). A continuación coloque la parrilla pequeña (19) en la base de la barbacoa (22) con la rejilla hacia abajo. Compruebe que la última de las rejillas se encuentra perfectamente colocada sobre el soporte pequeño (26) (consulte la figura C/detalle X) para fijar la parrilla pequeña (19) en su posición.

A continuación encaje la parrilla grande (16) en el borde superior de la base de la barbacoa (22), introduciéndola en las ranuras para tal efecto y con las rejillas hacia arriba. Compruebe igualmente que coloca la parrilla grande (16) sobre el soporte grande (25) (consulte la figura C/detalle Y)

Barbacoa con pincho giratorio (17)

Si desea utilizar la barbacoa cónica BODUM[®] con el pincho giratorio y con el motor, coloque en primer lugar la parrilla para carbón vegetal (20) en la base de la barbacoa (22). Coloque los ganchos de posición (9) sobre el pincho giratorio (17) y enrósquelos hasta lograr la posición deseada. La función de los ganchos de posición (9) consiste en garantizar que los alimentos insertados en el pincho giratorio (17) giren de manera homogénea. Coloque a continuación una pila (LR20, 1,5 V/D, no incluida) en el motor (12) e introduzca el motor por la parte lateral en la placa de sujeción del motor (11). Introduzca el pincho giratorio (17) en la base de la barbacoa (22) a través del orificio, y la placa de sujeción del motor (11) en el orificio de 4 esquinas del motor para barbacoa (12), y el otro extremo del pincho giratorio en la hendidura para inserción del pincho giratorio (21) de la base de la barbacoa. Al realizar esta acción asegúrese de que el platillo de tope (18) del pincho giratorio (17) se encuentra dentro de la base de la barbacoa (22). Esto evitará que el pincho giratorio se salga durante el proceso de asado.

Advertencia: Si utiliza el pincho giratorio en su barbacoa, no podrá montar simultáneamente la parrilla pequeña (19) ni la parrilla grande (16).

Utilice siempre utensilios y guantes para barbacoa (utensilios BODUM[®] FYRKAT) para colocar la parrilla pequeña (19) y la parrilla grande (16) en la barbacoa, o para extraerla.

Le recomendamos dejar la barbacoa cónica BODUM[®] y el carbón vegetal como mínimo 30 minutos arder con la tapa cerrada antes del primer uso.

Altura máxima de llenado del carbón: 6 cm sobre la parrilla para el carbón vegetal.

INDICACIONES DE PELIGRO

El incumplimiento de estas instrucciones de seguridad y medidas de precaución puede ocasionar lesiones o daños graves. Además, el montaje inadecuado de la barbacoa BODUM[®] puede suponer un grave peligro. Siga las indicaciones descritas en las instrucciones de montaje de este manual.

- Utilice la barbacoa únicamente si las piezas han sido montadas correctamente en su totalidad y están completamente fijadas a la barbacoa.
- Antes de cada uso cerciórese de que el depósito de recogida de la ceniza se ha colocado correctamente. No se debe usar la barbacoa sin haber montado previamente el recipiente de recogida de la ceniza (23).
- ¡No usar en recintos cerrados! La barbacoa cónica BODUM[®] ha sido diseñada exclusivamente para ser usada al aire libre. Su uso en recintos cerrados podría generar gases nocivos. No utilice nunca la barbacoa bajo tejados de material combustible, ni en lugares subterráneos, garajes o similares.
- ¡No vierta nunca líquido de encendido ni carbón impregnado del líquido de encendido sobre el carbón caliente! Por favor después de usar el líquido ciérrelo y guárdelo en un lugar apartado de la barbacoa.
- ¡CUIDADO! ¡No emplee alcohol, gasolina ni líquidos similares para encender ni para recuperar la llama! ¡Emplee para encender la barbacoa únicamente una sustancia que cumpla con la normativa EN1860-3!
- ¡ATENCIÓN! Si emplea una sustancia en estado líquido para encender la barbacoa, asegúrese de que no se han acumulado restos de líquido en el recipiente de recogida de la ceniza (23) ni en la base de la barbacoa (22).
- ¡ATENCIÓN! No debe dejar a los niños ni a los animales cerca de la barbacoa sin vigilancia.
- ¡ATENCIÓN! La barbacoa cónica BODUM[®] alcanza una temperatura muy elevada y no se debe mover de su posición mientras está en funcionamiento. No deje nunca la barbacoa sin vigilancia durante su uso.
- La barbacoa y el material combustible deberán estar como mínimo a 1,5 m de distancia el uno del otro.
- No coloque la barbacoa sobre una superficie inflamable.
- No lleve prendas de vestir con mangas largas ni anchas mientras prepara alimentos a la barbacoa.
- Extraiga la ceniza únicamente cuando todas las briquetas de carbón hayan ardido por completo y la ceniza esté fría.
- No tire nunca a la basura ceniza caliente ni briquetas de carbón o restos de carbón que aún estén encendidos. ¡Peligro de incendio!
- Para desplazar la barbacoa levántela un poco agarrándola por el mango de sujeción (10) y desplácela al lugar deseado. ¡No desplace nunca la barbacoa si aún está caliente! Espere a que la barbacoa y el carbón se hayan enfriado antes de levantar o desplazar la barbacoa.
- No cuelgue objetos pesados o sensibles al calor en la placa de sujeción del motor con ganchos para utensilios de barbacoa (11). Los ganchos para utensilios de barbacoa están diseñados para el uso exclusivo con utensilios de la marca BODUM[®].
- Emplee únicamente el motor para barbacoa (12) incluido en el embalaje y protéjalo del calor, del frío y de la humedad.
- En caso de no utilizar la barbacoa por un periodo de tiempo prolongado extraiga la pila del motor para barbacoa (12) para evitar que ésta se oxide.
- No use la barbacoa en condiciones de viento fuerte.
- La barbacoa BODUM[®] no es apta para ser montada ni usada en caravanas, remolques ni pequeñas embarcaciones.
- La barbacoa cónica BODUM[®] no es apta para ser utilizada como calefacción.

INDICACIONES DE SEGURIDAD

Antes de poner en funcionamiento la barbacoa cónica BODUM® colóquela sobre una superficie segura. ¡Por favor no coloque nunca la barbacoa inclinada ni en desequilibrio!

- Antes de cada uso asegúrese de que el recipiente de recogida de la ceniza (23) está montado y de que los orificios de ventilación (24) están abiertos.
- Si emplea una torre de encendido (BODUM®FYRKAT Chimney Starter) para prender el carbón: Asegúrese de que los orificios de ventilación (24) del recipiente de recogida de la ceniza (23) permanecen cerrados durante el proceso de incorporación del carbón encendido a la barbacoa. Vuelva a abrir los orificios de ventilación del recipiente de recogida de la ceniza después de haber incorporado todo el carbón a la barbacoa cónica BODUM®
- Coloque el carbón vegetal siempre sobre la parrilla para carbón vegetal (20), nunca directamente sobre el fondo de la base de la barbacoa (22).
- No toque ni la barbacoa ni la parrilla para comprobar si están calientes.
- Al preparar alimentos a la barbacoa y al ajustar los orificios de ventilación (24) protéjase siempre las manos con guantes para barbacoa o con una manopla de cocina.
- Emplee utensilios especiales para manipular la barbacoa (cubiertos de barbacoa BODUM FYRKAT®) dotados de asas largas.
- Cuando desee apagar el carbón vegetal, cierre los orificios de ventilación (24) del recipiente de recogida de la ceniza (23) y espere hasta que el carbón y el resto de las piezas de la barbacoa se hayan enfriado por completo. No apague el carbón con agua ya que esto podría dañar la superficie esmaltada.
- No utilice agua para apagar las llamas originadas por la combustión de grasa. Coloque los alimentos en otro lugar de la parrilla (16/19) y espere algunos segundos hasta que se termine de quemar la grasa por completo.
- Maneje con cuidado y guarde en un lugar seguro los encendedores eléctricos que aún se mantengan calientes tras su uso. Tenga en cuenta el manual de instrucciones correspondiente.
- Por favor mantenga los cables eléctricos lejos de las superficies calientes.

INFORMACIÓN ÚTIL

- Después de encender el carbón vegetal espere entre 25 y 30 minutos antes de preparar los alimentos a la barbacoa. La barbacoa estará lista para su uso cuando se haya formado una capa gris fina por encima del carbón.
- Los orificios de ventilación (24) del recipiente de recogida de la ceniza (23) deberán permanecer siempre abiertos durante la preparación de alimentos a la barbacoa. Use siempre manoplas para ajustar la posición de los orificios de ventilación.
- Emplee únicamente carbón vegetal o briquetas de buena calidad y almacénelas en seco, pues absorben la humedad con facilidad y si están húmedas arden con mucha dificultad. Si desea almacenar las briquetas al aire libre, guárdelas en un recipiente resistente a la intemperie con una tapa hermética.
- Si utiliza una sustancia líquida para encender la barbacoa, deje que penetre durante unos minutos en el carbón vegetal antes de prender la llama. ¡ATENCIÓN! Tenga cuidado de que no se acumule ningún líquido en la base de la barbacoa (22) ni en el recipiente de recogida de la ceniza (23).
- Esta barbacoa es apta para preparar alimentos tanto a la parrilla como en el pincho giratorio. Utilice el método de asado correspondiente según su recetario. Encontrará consejos de preparación para cada método bajo el epígrafe "consejos para 'preparar una barbacoa con parrilla' y 'preparar una barbacoa con pincho giratorio'".
- Utilice siempre una espátula (pala de barbacoa BODUM®FYRKAT) o una pinza (pinza de barbacoa BODUM® FYRKAT) para darle la vuelta a los alimentos. Evite el pinchar la carne, pues perderá aroma y jugo.
- Si es posible gire los alimentos una sola vez. Siga los consejos de su recetario.
- No unte nunca la parrilla (16/19) directamente con aceite. Para obtener una superficie tostada de forma homogénea y evitar que los alimentos se peguen a la parrilla le recomendamos untar ligeramente los alimentos con aceite.
- No cubra la barbacoa con papel de aluminio, ya que esto podría bloquear la circulación del aire.

CONSEJOS PARA "PREPARAR UNA BARBACOA CON PARRILLA" Y "PREPARAR UNA BARBACOA CON PINCHO GIRATORIO"

Antes de asar a la parrilla por favor lea atentamente todas las instrucciones y todos los consejos. La barbacoa cónica BODUM® es apta para su utilización en cualquiera de sus dos funciones: preparar alimentos a la parrilla o preparar alimentos en el pincho giratorio.

PREPARAR ALIMENTOS A LA PARRILLA

Colocando las dos parrillas (16/19) superpuestas, es posible preparar de manera simultánea distintos alimentos a diferente intensidad térmica. La parrilla pequeña (19), colocada en la posición inferior, es ideal para preparar alimentos que deben ser asados rápidamente y a temperatura muy elevada (por ejemplo filetes, pinchos de carne o chuletas).

La parrilla grande (16), colocada en la posición superior, es ideal para preparar alimentos que deben asarse lentamente y a una temperatura no tan elevada (por ejemplo, verdura, salchichas, pollo o filetes de pescado).

PREPARAR ALIMENTOS CON EL PINCHO GIRATORIO Y EL MOTOR PARA BARBACOA.

La barbacoa cónica BODUM® se puede transformar fácilmente en una barbacoa con pincho giratorio (17). El motor para barbacoa (12) incluido en el embalaje permite asar de manera homogénea los alimentos insertados en el pincho giratorio.

Inserte los alimentos en el pincho giratorio (17) colocándolos en una posición lo más centrada y compacta posible y a continuación fíjelos en su lugar utilizando los ganchos de posición. Coloque los alimentos en el centro de la parrilla para asegurar un reparto homogéneo del peso.

El tiempo exacto de preparación puede variar en gran medida dependiendo del tipo y del tamaño de los alimentos a preparar. Por ello le recomendamos que siga los consejos de su recetario.

¡CUIDADO! La caída de gotas de la grasa de los alimentos sobre las ascuas de carbón puede originar llamaradas. No intente sofocar las llamas con agua. Para evitar que esto ocurra, distribuya el carbón sobre la parrilla para carbón vegetal, de forma que la grasa no gotee sobre las ascuas de carbón, sino sobre carbón seco.

Peso máximo de los alimentos para su inserción en el pincho giratorio: 2 Kg.

INSTRUCCIONES DE MANTENIMIENTO

Puede ampliar la vida útil de su barbacoa cónica BODUM® llevando a cabo una limpieza de la barbacoa a fondo una vez al año. Para limpiar la parrilla de los alimentos y la barbacoa no emplee objetos afilados ni productos abrasivos que podrían dañar la superficie.

Le recomendamos seguir estas sencillas instrucciones para llevar a cabo la limpieza de su barbacoa:

- Cerciérese de que la barbacoa se ha enfriado y de que no quedan ascuas de carbón encendido.
- Retire la ceniza.
- Saque de la barbacoa la parrilla o el pincho giratorio y la Parrilla para carbón vegetal y extraiga el motor para barbacoa.
- Lave la barbacoa utilizando agua y un producto de limpieza neutro. Enjuáguela con abundante agua limpia y séquela con un paño.
- No es necesario limpiar la parrilla cada vez que se utilice. Para eliminar los restos bastará con frotar la parrilla con un cepillo metálico de latón o con papel aluminio arrugado y limpiarlo a continuación con papel de cocina.
- Limpie el motor para barbacoa con un paño limpio humedecido. No sumerja nunca bajo el agua el motor para barbacoa.

BENVENUTI ALL'ARIA APERTA!

Quando pensiamo a un pranzo all'aperto, pensiamo subito alla primavera e all'estate. E cosa più di un vero barbecue rende tutto perfetto? Qualunque sia il vostro cibo preferito, una gustosa bistecca, un wurstel croccante o le verdure alla griglia, con il grill BODUM® avete fatto la scelta giusta per rendere davvero piacevole la vostra estate. Un barbecue è l'unica occasione gastronomica in cui non si può applicare il proverbio "Troppi cuochi rovinano la minestra": in questa occasione, infatti, collaborano molti "chef". Se non subite troppo la seduzione di salse corpose, le pietanze grigliate sono non solo gustose, ma anche sane e leggere, soprattutto la carne magra, il pesce e le verdure.

Vi auguriamo quindi Buon appetito!

Ora non ci resta che invitarvi a leggere con attenzione queste istruzioni per l'uso, che contengono indicazioni importanti per la sicurezza ed avvertenze sui pericoli, nonché preziosi consigli per grigliare e, naturalmente, augurarvi una meravigliosa estate.

Il team di progettazione BODUM®

GUIDA AL MONTAGGIO:

COMPONENTI DEL GRILL

1. Vite M5 (8 pezzi)
2. Vite M6 (6 pezzi)
3. Dado M5 (8 pezzi)
4. Dado M6 (6 pezzi)
5. Dado cieco M6 (3 pezzi)
6. Rondella Ø 5 mm (16 pezzi)
7. Rondella Ø 6 mm (9 pezzi)
8. Rondella di arresto Ø 6 mm (6 pezzi)
9. Gancio di fissaggio (2 pezzi)
10. Impugnatura
11. Piastra di supporto del motore con gancio per posate
12. Motore grill (a batteria, 1 x LR20/1,5 V / D, non fornita)
13. Gamba di sostegno con angolo (3 pezzi)
14. Gamba di sostegno con piedino d'appoggio (3 pezzi)
15. Stabilizzatore
16. Graticola di cottura grande
17. Girarrosto
18. Rondella di arresto
19. Graticola di cottura piccola
20. Griglia per carbonella
21. Fessura di inserimento girarrosto
22. Bacinella
23. Contenitore di raccolta cenere
24. Fori di aerazione
25. Gancio di supporto grande
26. Gancio di supporto piccolo

ISTRUZIONI PER IL MONTAGGIO

Figura A

Attenzione! Durante questa operazione di montaggio, non si devono ancora serrare saldamente le viti e i dadi.

Posizionare la bacinella (22) su una superficie piana (22) e montare in sequenza le tre gambe di sostegno con angolo (13) sulla bacinella (22). Per ciascuna gamba di sostegno utilizzare due viti M6 (2), due rondelle con Ø 6 mm (7), due rondelle di arresto con Ø 6 mm (8) e due dadi M6 (4). Inserire quindi in ciascuna gamba (13) una gamba di sostegno con piedino d'appoggio (14) e fissare le gambe di sostegno mediante lo stabilizzatore (15), le rondelle (7) e i dadi ciechi (5), come illustrato nella figura A. Serrare ora tutte le viti e i dadi del grill in modo che tutte le parti siano fissate saldamente.

Figura B

Collocare il grill sulle gambe di sostegno appoggiandolo su una superficie stabile e in piano, quindi montare il contenitore di raccolta cenere (23) sulla bacinella (22). È possibile aprire e chiudere i fori di aerazione (24) situati sul contenitore di raccolta cenere (23) ruotando il contenitore stesso. Quando si grigliano i cibi, i fori di aerazione (9) sul contenitore di raccolta cenere devono essere aperti, se possibile, per garantire una sufficiente circolazione dell'aria.

Montare ora l'impugnatura (10) e la piastra di supporto del motore con gancio per posate (11) usando le viti M5 (1), le rondelle con Ø 5 mm (6) e i dadi M5 (3) sulla bacinella (22).

Figure C e D

Il grill conico BODUM® "FYRKAT" si può utilizzare in due modi: come grill con la graticola di cottura (16 / 19) e come grill con girarrosto (17). Seguire sempre le istruzioni per il montaggio illustrate nelle Figure C e D.

Grill con graticola di cottura (Figura C)

Per utilizzare il grill conico BODUM® con la graticola di cottura, applicare prima la griglia per la carbonella (20) nella bacinella (22). Posizionare infine la graticola di cottura piccola (19) con le grate rivolte verso il basso nella bacinella (22). Fare attenzione che l'ultima grata sia posizionata esattamente nel gancio di supporto piccolo (26) (vedere la Figura C / dettaglio X) per fissare la graticola di cottura piccola (19) nella posizione corretta.

Posizionare quindi la graticola di cottura grande (16) con le grate rivolte verso l'alto sul bordo superiore della bacinella (22) nelle apposite fessure sulla bacinella (22). Fare attenzione che la graticola di cottura grande (16) sia posizionata nel gancio di supporto grande (25) (vedere la Figura C / dettaglio Y).

Grill con girarrosto (17)

Per utilizzare il grill conico BODUM® con il girarrosto e il motore del grill, applicare prima la griglia per la carbonella (20) nella bacinella (22). Innestare i due ganci di fissaggio (9) sul girarrosto (17) e avvitarli saldamente nella posizione desiderata. I ganci di fissaggio (9) servono per fare girare in maniera uniforme i cibi sullo spiedo (17). Inserire ora nel motore (12) una batteria (LR20, 1,5 V / D, non fornita) e innestare il motore lateralmente nella piastra di supporto del motore (11). Inserire il girarrosto (17) attraverso il foro sulla bacinella (22) e il motore del grill (11) nel foro quadrato del motore (12) e l'altra estremità del girarrosto nella fessura di inserimento (21) sulla bacinella. Verificare che la rondella di arresto (18) del girarrosto (17) si trovi all'interno della bacinella (22). Ciò serve ad impedire che il girarrosto possa cadere fuori durante la cottura.

Avvertenza! Quando si cuoce alla griglia con il girarrosto, non si devono montare né la graticola di cottura piccola (19), né la graticola di cottura grande (16).

Per collocare la griglia per la carbonella (20), la graticola di cottura piccola (19) e la graticola di cottura grande (16) nel grill o per rimuoverle dal grill, utilizzare sempre delle posate specifiche per barbecue (posate per grill BODUM® FYRKAT) e dei guanti protettivi da forno.

Si consiglia di lasciare ardere la carbonella nel grill conico BODUM® per almeno 30 minuti prima del primo utilizzo.

Quantità massima di carbonella: 6 cm sopra la griglia per la carbonella.

AVVERTENZE DI PERICOLO

Il mancato rispetto delle avvertenze per la sicurezza e delle misure precauzionali può provocare lesioni gravi alle persone e danni. Inoltre, un montaggio errato del grill BODUM® può implicare pericoli seri. Attenersi alle istruzioni per il montaggio fornite nelle presenti istruzioni per l'uso.

- Utilizzare il grill solo quando tutte le parti sono state montate correttamente e fissate saldamente.
- Prima di cominciare a cuocere sulla griglia, controllare che il contenitore di raccolta cenere sia posizionato correttamente. Non si deve utilizzare il grill senza il contenitore di raccolta cenere (23) già montato.
- Non utilizzare in ambienti chiusi! Il grill conico BODUM® è adatto esclusivamente per l'uso all'aperto. Nei locali chiusi possono svilupparsi gas di combustione velenosi. Non utilizzare mai il grill sotto a tetti infiammabili, ripari, garage o luoghi simili.
- Non versare mai il liquido per l'accensione o il carbone imbevuto di tale liquido sulla carbonella calda o rovente! Dopo l'uso, chiudere il contenitore del liquido di accensione e riporlo lontano dal grill.
- **ATTENZIONE!** Per l'accensione o la riaccensione, non utilizzare alcool, benzina o liquidi simili! Utilizzare un accendifuoco secondo la norma EN 1860-3!
- **ATTENZIONE!** Se si utilizza un liquido per l'accensione del fuoco, fare attenzione che il liquido non si depositi nel contenitore di raccolta cenere (23) e nella bacinella (22).
- **ATTENZIONE!** Non lasciare mai bambini o animali domestici nelle vicinanze del grill senza sorveglianza.
- **ATTENZIONE!** Il grill conico BODUM® diventa molto caldo e non deve essere spostato durante l'utilizzo. Non lasciare mai incustodito il grill durante l'uso.
- Tenere una distanza tra il grill e i materiali infiammabili di almeno 1,5 metri.
- Non posizionare il grill su una superficie infiammabile.
- Durante la grigliata, non indossare mai vestiti con maniche lunghe e ampie.
- Rimuovere la cenere soltanto quando i bricchetti di carbone sono bruciati completamente e la cenere si è raffreddata.
- Non smaltire mai la cenere calda o la brace ancora accesa di bricchetti o carbonella. Pericolo di incendio!
- Per spostare il grill, sollevarlo leggermente tenendolo per l'impugnatura (10) e posizionarlo nel luogo desiderato. Non spostarlo mai quando è caldo! Prima di spostare o sollevare il grill, attendere sempre che il grill e la carbonella si siano raffreddati.
- Non appendere oggetti pesanti, infiammabili o sensibili al calore sulla piastra di supporto del motore con gancio per posate (11). I ganci per posate sono progettati esclusivamente per l'uso con posate per grill BODUM®.
- Utilizzare esclusivamente il motore per grill fornito in dotazione (12) e proteggerlo dal caldo, dal freddo e dall'umidità.
- Quando si prevede di non usare il motore per lungo tempo, rimuovere la batteria dal motore del grill (12) per evitare che si scarichi.
- Non grigliare in caso di vento forte.
- Il grill conico BODUM® non è indicato per essere montato o utilizzato in camper, roulotte o imbarcazioni.
- Il grill conico BODUM® non deve essere utilizzato per il riscaldamento.

AVVERTENZE PER LA SICUREZZA

Prima della messa in funzione, collocare il grill conico BODUM® su un piano sicuro. Non sistemarlo mai in posizione obliqua o inclinata!

- Prima di ogni utilizzo, controllare che il contenitore di raccolta cenere (23) sia montato e che i fori di aerazione (24) siano aperti.
- Se si usa un cesto accenditore (BODUM® FYRKAT Chimney Starter) per accendere la carbonella: controllare che durante il travaso del carbone acceso i fori di aerazione (24) sul contenitore di raccolta cenere (23) siano chiusi. Riaprire i fori di aerazione sul contenitore di raccolta cenere dopo avere travasato tutta la carbonella nel grill conico BODUM®.
- Disporre la carbonella sempre sulla griglia per carbonella (20), mai direttamente sul fondo della bacinella (22) o nel contenitore di raccolta cenere (23).
- Non toccare mai né il grill, né la griglia per constatare se sono caldi.
- Per cuocere alla griglia e per regolare i fori di aerazione (24), indossare dei guanti da forno o usare delle presine per proteggere le mani.
- Utilizzare apposite posate per barbecue (posate per grill BODUM® FYRKAT) con lunghe impugnature.
- Per spegnere la carbonella, chiudere i fori di aerazione (24) sul contenitore di raccolta cenere (23) e attendere finché la brace e tutte le parti del grill si siano raffreddate completamente. Non spegnere la carbonella con acqua poiché si potrebbe danneggiare la superficie smaltata.
- Non utilizzare acqua per spegnere il grasso che brucia. Sistemare invece i cibi in un altro punto sulla graticola (16 / 19) e attendere alcuni secondi finché il grasso sia bruciato completamente.
- Manipolare con attenzione gli accenditori elettrici e conservarli in un luogo sicuro. Rispettare sempre le istruzioni per l'uso.
- Tenere lontano i cavi elettrici dalle superfici calde.

INFORMAZIONI UTILI

- Dopo l'accensione della carbonella, attendere 25 - 30 minuti circa prima di iniziare a cuocere, finché la carbonella appare ricoperta da un sottile strato grigio.
- Durante la cottura, i fori di aerazione (24) sul contenitore di raccolta cenere (23) devono restare sempre aperti. Per regolare i fori di aerazione, indossare dei guanti protettivi da forno.
- Utilizzare esclusivamente bricchetti di carbone o di gusci di cocco di buona qualità e conservarli in un luogo asciutto poiché assorbono facilmente l'umidità e ciò potrebbe comprometterne la buona combustione. Se si intende conservare i bricchetti all'aperto, riporli in un contenitore resistente agli agenti atmosferici dotato di un coperchio ermetico.
- Se si utilizza un liquido di accensione, lasciarlo penetrare alcuni minuti nella carbonella prima di accendere il fuoco. **ATTENZIONE!** Fare attenzione che nella bacinella (22) e nel contenitore di raccolta cenere (23) non si depositi nessun liquido di accensione.
- Questo grill è adatto sia per la cottura alla griglia, che per la cottura con girarrosto. Utilizzare il metodo di cottura più adatto alla ricetta da preparare. Nel paragrafo "Suggerimenti per la cottura alla griglia e con il girarrosto" troverete alcuni consigli utili per entrambi i metodi.
- Per girare i cibi, utilizzare una spatola (paletta BODUM® FYRKAT) o una pinza per grill (pinza per grill BODUM® FYRKAT). Evitare di bucare la carne con oggetti appuntiti per impedire la fuoriuscita del sugo e dell'aroma.
- Se possibile, girare i cibi solo una volta. Seguire i consigli della ricetta da preparare.
- Non spalmare olio direttamente sulla graticola di cottura (16 / 19). Per ottenere una superficie bruna uniforme ed evitare che i cibi si attacchino alla graticola, può essere utile spalmare leggermente i cibi con un po' di olio.
- Non rivestire la griglia con un foglio di alluminio per non bloccare il flusso dell'aria.

SUGGERIMENTI PER LA COTTURA ALLA GRIGLIA E CON IL GIRARROSTO

Prima di cuocere alla griglia, leggere attentamente tutte le istruzioni e i suggerimenti. Il grill conico BODUM® permette di cuocere i cibi secondo due diversi metodi di cottura alla griglia: cottura alla griglia e cottura con girarrosto.

COTTURA ALLA GRIGLIA

Le due graticole di cottura posizionate una sopra l'altra (16 / 19) permettono di cuocere le pietanze con diverse intensità di calore. La graticola di cottura piccola inferiore (19) è particolarmente indicata per i cibi con rapidi tempi di cottura a calore elevato, ad es. bistecche, spiedini, cotolette, ecc.

La graticola di cottura grande superiore (16) è particolarmente indicata per i cibi con tempi di cottura prolungati a calore moderato, ad es. verdure, wurstel, pollo, filetti di pesce, ecc.

COTTURA ALLA GRIGLIA CON GIRARROSTO E MOTORE

Il grill conico BODUM® si può trasformare facilmente in un grill dotato di spiedo girarrosto (17). Grazie al motore per grill fornito in dotazione (12), i cibi cuociono in modo uniforme girando sullo spiedo.

Sistemare i cibi il più possibile al centro del girarrosto (17) fissandoli sullo spiedo con i due ganci di fissaggio (9). Posizionare i cibi il più possibile al centro del grill in modo da suddividere equamente il peso.

L'esatta durata della cottura può variare notevolmente in base al tipo e alle dimensioni del cibo. È opportuno quindi seguire sempre i consigli della ricetta da preparare.

Attenzione! Il grasso che cola sulla carbonella ardente può provocare delle fiamme. Non spegnere le fiamme con acqua, bensì sistemare la carbonella sulla griglia (20) in modo che il grasso non possa più colarvi sopra.

Peso massimo del cibo per la cottura con girarrosto: 2 kg.

ISTRUZIONI PER LA MANUTENZIONE

Si può prolungare di anni la durata di vita del vostro grill BODUM® se lo si pulisce accuratamente una volta all'anno. Per la pulizia della graticola di cottura, del girarrosto e della griglia, non usare oggetti appuntiti, né sostanze abrasive, poiché ne rovinano la superficie.

Per la pulizia, eseguire queste semplici operazioni:

- Accertarsi che il grill si sia raffreddato e che la brace sia bruciata completamente.
- Rimuovere la cenere.
- Togliere la graticola di cottura o il girarrosto e la griglia per carbonella e rimuovere il motore del grill.
- Lavare la griglia con un detergente delicato e acqua. Sciacquare bene con acqua pulita e asciugare con un panno.
- La graticola di cottura non deve essere lavata dopo ogni grigliata. Rimuovere i resti utilizzando una spazzola metallica in ottone o un foglio di alluminio arrotolato, quindi pulire con un panno di carta per cucina.
- Pulire il motore del grill con un panno umido. Non immergere mai il motore nell'acqua.

HARTELIJK WELKOM IN DE OPEN LUCHT!

Wat hoort er meer bij de lente en de zomer dan buiten eten? En waarmee wordt dat een groter feest dan met een eersteklas barbecue? Of u nu het meeste houdt van een flinke steak, een knapperige worst of van gegrilde groente – met de BODUM® Cone-Grill “FYRKAT” hebt u de juiste keuze gemaakt om uw zomer echt gezellig te maken. Een barbecue is waarschijnlijk de enige culinaire gelegenheid waarbij het spreekwoord “Veel koks verzouten de brij” niet geldt: bij het barbecueën zijn er vele chefs. Als u niet zo houdt van rijke sauzen, is gegrild eten niet alleen zeer smakelijk, maar ook gezond en licht, vooral wanneer het gaat om vetarm vlees, vis en groente.

We wensen u smakelijk eten!

Rest ons slechts u te vragen deze gebruiksaanwijzing met belangrijke veiligheidsaanwijzingen, gevaar-informatie en nuttige grilltips aandachtig door te lezen, en u natuurlijk een fantastische zomer toe te wensen.

Uw BODUM®-designteam

MONTAGE-INSTRUCTIES:

DE GRILL INSTALLEREN

1. Schroef M5 (8 stuks)
2. Schroef M6 (6 stuks)
3. Moer M5 (8 stuks)
4. Moer M6 (6 stuks)
5. Dopmoer M6 (3 stuks)
6. Sluitring Ø 5 mm (16 st.)
7. Sluitring Ø 6 mm (9 st.)
8. Borgring Ø 6 mm (6 st.)
9. Positiehaak (2 st.)
10. Handgreep
11. Motorplaat met grillbestekhaak
12. Grillmotor (batterijaandrijving 1 x LR20/1,5 V / D, niet meegeleverd)
13. Poot met hoek (3 st.)
14. Poot met standvoet (3 st.)
15. Stabilisator
16. Grillrooster-groot
17. Draaispies
18. Aanslagschijf
19. Grillrooster-klein
20. Houtskoolrooster
21. Plaatsingsleuf voor spies
22. Grillkuip
23. Asopvangkoker
24. Luchtopeningen
25. Bevestigingshaak-groot
26. Bevestigingshaak-klein

MONTAGE-INSTRUCTIES

Afbeelding A

Let op! Bij de volgende montage­stap dient u de schroeven en moeren nog niet te strak aan te draaien.

Zet de grillkuip (22) voorzichtig op een vlakke ondergrond en monteer opeenvolgend de drie poten met hoek (13) op de grillkuip (22). Gebruik voor elke poot twee schroeven M6 (2), twee sluitringen Ø 6 mm (7), twee borgringen Ø 6 mm (8) en twee moeren M6 (4). Breng vervolgens in elke poot met hoek (13) een poot met standvoet (14) en bevestig de poten met een stabilisator (15), sluitringen (7) en dopmoeren (5), zie afb. A. Haal nu alle schroeven en moeren op de grill zo ver aan totdat alle delen goed vastzitten.

Afbeelding B

Zet de grill op een stevige en vlakke ondergrond op de poten en monteer de asopvangkoker (23) aan de grillkuip (22). De luchtopeningen (24) in de asopvangkoker (23) kunnen worden geopend en gesloten door de asopvangkoker te draaien. Bij het grillen moeten de luchtopeningen (24) in de asopvangkoker zo mogelijk open blijven staan om te zorgen voor voldoende luchtcirculatie.

Monteer de handgreep (10) en de motorplaat met grillbestekhaak (11) met schroeven M5 (1), sluitringen Ø 5 mm (6) en moeren M5 (3) op de grillkuip (22).

Afbeelding C en D

De BODUM® "FYRKAT" Cone-Grill kan op twee manieren worden gebruikt: als grill met grillrooster (16/19) en als grill met draaispies (17). Neem de bijbehorende montage-instructies in afbeelding C en D in acht.

Grill met grillrooster (afbeelding C)

Als u de BODUM® Cone-Grill wilt gebruiken met grillrooster, dient u eerst het houtskoolrooster (20) in de grillkuip (22) te plaatsen. Daarna plaatst u het grillrooster-klein (19) in de grillkuip (22) met de roosterstang naar beneden. Let erop dat de achterste roosterstang precies in de bevestigingshaak-klein (26) wordt geplaatst (zie afb. C/detail X), om het grillrooster-klein (19) op zijn plaats vast te zetten.

Vervolgens legt u het grillrooster-groot (16) met de grillstangen naar boven op de bovenste rand van de grillkuip (22) in de daarvoor bedoelde uitsparingen op de grillkuip (22). Terwijl u dit doet, moet u zorgen dat het grillrooster-groot (16) in de bevestigingshaak-groot (25) wordt geplaatst (zie afb. C/detail Y)

Grill met draaispies (17)

Als u de BODUM® Cone-Grill wilt gebruiken met draaispies, dient u eerst het houtskoolrooster (20) in de grillkuip (22) te plaatsen. Breng de beide positiehaken (9) op de draaispies (17) aan en schroef deze vast op de gewenste positie. De positiehaken (9) zijn bedoeld om te zorgen dat het grillgoed aan de draaispies (17) gelijkmatig meedraait. Plaats nu een batterij (LR20, 1,5 V/D, niet meegeleverd) in de grillmotor (12) en steek de grillmotor vanaf de zijkant in de motorplaat (11). Steek de draaispies (17) door het gat op de grillkuip (22) en de motorplaat (11) in het vierkante gat van de grillmotor (12) en het andere uiteinde van de draaispies in de plaatsingsleuf (21) in de grillkuip. Let er daarbij op dat de aanslagschijf (18) van de draaispies (17) zich binnen in de grillkuip (22) bevindt. Dit voorkomt dat de draaispies er tijdens het grillen uitvalt.

Aanwijzing! Als u met de draaispies grilt, mogen het grillrooster-klein (19) en het grillrooster-groot (16) niet zijn gemonteerd.

Om het houtskoolrooster (20), het grillrooster-klein (19) en het grillrooster-groot (16) in de grill te plaatsen of uit de grill te halen, dient u altijd gebruik te maken van daartoe geschikt grillbestek (BODUM® FYRKAT Grillbestek) en grillhandschoenen.

We raden u aan de BODUM® Cone-Grill en de houtskool voor het eerste gebruik minstens dertig minuten te laten doorgloeien.

Maximale vulhoogte voor de kooltjes: 6 cm boven het houtskoolrooster.

GEVAARINFORMATIE

Wanneer u deze veiligheidsaanwijzingen en voorzorgsmaatregelen niet in acht neemt, kan dit tot ernstige verwondingen of schade leiden. Bovendien kan het niet correct monteren van de BODUM®-Grill groot gevaar opleveren. Houdt u zich aan de montage-instructies in deze gebruiksaanwijzing.

- Gebruik de grill pas wanneer alle onderdelen vakkundig zijn gemonteerd en bevestigd.
- Controleer voor het grillen altijd of de asopvangkoker correct is aangebracht. De grill mag niet worden gebruikt zonder aangebrachte asopvangkoker (23).
- Niet in afgesloten ruimten gebruiken! De BODUM® Cone-Grill is uitsluitend ontwikkeld voor gebruik in de open lucht. In afgesloten ruimten kunnen zich giftige rookgassen ontwikkelen. Gebruik de grill nooit onder brandbare daken of overkappingen of in een garage o.i.d.
- Giet/leg nooit aanmaakvloeistof of daarin gedrenkte houtskool op hete of warme kooltjes! Sluit na gebruik de vloeistofhouder af en berg deze op een veilige afstand van de grill op.
- **VOORZICHTIG!** Gebruik voor het aansteken of weer aanmaken geen spiritus, benzine of soortgelijke vloeistoffen! Gebruik alleen aanmaakhulpmiddelen conform EN1860-3!
- **LET OP!** Controleer wanneer u aanmaakvloeistof gebruikt of zich in de asopvangkoker (23) en in de grillkuip (22) geen vloeistof heeft verzameld.
- **LET OP!** Kinderen en huisdieren mogen niet zonder toezicht in de buurt van een hete grill komen.
- **LET OP!** De BODUM® Cone-Grill wordt zeer heet en mag tijdens het gebruik niet worden verplaatst. Laat de grill tijdens gebruik niet onbewaakt achter.
- De grill moet minstens 1,5 m van brandbaar materiaal verwijderd zijn.
- Zet de grill niet op een brandbaar oppervlak.
- Draag bij het grillen geen kleding met wijde, lange mouwen.
- Verwijder de as pas wanneer alle houtskoolbriketten volledig zijn uitgegloeid en de as is afgekoeld.
- Gooi nooit hete as of nog gloeiende houtskoolbriketten of houtskoolresten weg. Brandgevaar!
- Om de grill te verplaatsen, tilt u hem iets op aan de handgreep (10) en zet u hem op de gewenste plaats. Verplaats de grill nooit wanneer deze heet is! Wacht met het verplaatsen of optillen van de grill totdat de grill en de kolen zijn afgekoeld.
- Hang geen zware, brandbare of niet-hittebestendige voorwerpen aan de motorplaat met grillbestekhaken (11). De grillbestekhaken zijn alleen bedoeld voor gebruik met BODUM®-grillbestek.
- Gebruik alleen de meegeleverde grillmotor (12) en stel deze niet bloot aan hitte, koude en vocht.
- Neem de batterij uit de grillmotor (12) als u de grillmotor voor langere tijd niet gebruikt. Daarmee voorkomt u dat de batterij leegraakt.
- Grill niet wanneer er een sterke wind staat.
- De BODUM®-grill is niet bedoeld voor montage of gebruik in caravans, campingwagens of op boten.
- De BODUM® Cone-Grill mag niet als verwarming worden gebruikt.

VEILIGHEIDSAANWIJZINGEN

Zet uw BODUM® Cone-Grill vóór ingebruikname op een stevige ondergrond. Nooit kantelen of schuin neerzetten!

- Controleer voor ieder gebruik of de asopvangkoker (23) is aangebracht en of de luchtopeningen (24) geopend zijn.
- Wanneer u een aanmaaktoren (BODUM® FYRKAT Chimney Starter) gebruikt om de kooljes aan te steken: Zorg ervoor dat de luchtopeningen (24) in de asopvangkoker (23) tijdens het overladen van de gloeiende kolen gesloten zijn. Open de luchtopeningen in de asopvangkoker weer nadat u alle kooltjes in de BODUM® Cone-Grill hebt overgeladen.
- Leg de houtskool altijd op het houtskoolrooster (20), niet direct op de bodem van de grillkuip (22) of in de asopvangkoker (23).
- Raak noch de grill noch het rooster aan om te zien of deze heet zijn.
- Draag bij het grillen en bij het instellen van de luchtopeningen (24) ter bescherming van uw handen altijd grillhandschoenen of gebruik pannenlappen.
- Gebruik een grillbestek (BODUM® FYRKAT-grillbestek) met lange stelen.
- Sluit voor het doven van de houtskool de luchtopeningen (24) op de asopvangkoker (23) en wacht totdat de kooltjes en alle onderdelen van de grill volledig zijn afgekoeld. Doof de houtskool niet met water, aangezien daardoor het geëmailleerde oppervlak beschadigd kan raken.
- Gebruik geen water om opvlammend vet te doven. Plaats in plaats daarvan uw grillgoed op een andere plek op het grillrooster (16/19) en wacht een paar seconden tot het opvlammend vet is verbrand.
- Hete elektrische aanstekers moeten voorzichtig worden gehanteerd en op een veilige plaats worden opgeborgen. Neem de bijbehorende gebruikshandleiding in acht.
- Houd het elektrische snoer uit de buurt van hete oppervlakken.

NUTTIGE AANWIJZINGEN

- Wacht na het aanmaken van de houtskool ca. 25 tot 30 minuten met grillen, tot de houtskool bedekt is met een dunne grijze laag.
- De luchtopeningen (24) op de asopvangkoker (23) moeten tijdens het grillen altijd open staan. Draag bij het afstellen van de luchtopeningen altijd grillhandschoenen.
- Gebruik alleen houtskool of kokosbriketten van goede kwaliteit en bewaar deze op een droge plaats, want ze nemen gemakkelijk vocht op en branden dan slecht. Als u de briketten in de buitenlucht bewaart, kunt u daarvoor het beste een weerbestendige houder met goed sluitend deksel gebruiken.
- Als u aanmaakvloeistof gebruikt, laat deze dan voor het aansteken een paar minuten in de houtskool trekken. LET OP! Let op dat zich in de grillkuip (22) en in de asopvangkoker (23) geen aanmaakvloeistof verzamelt.
- Deze grill is geschikt voor grillen met grillrooster en voor grillen met draaispies. Gebruik de grillmethode waar uw recept om vraagt. Tips voor deze beide grillmethoden vindt u in de paragraaf "Tips voor 'Grillen met grillrooster' en 'Grillen met draaispies'".
- Gebruik een spatel ((BODUM® FYRKAT-grillspatel) of een grilltang (BODUM FYRKAT®-grilltang) om het grillgoed om te draaien. Prik geen scherpe voorwerpen in het vlees, aangezien daardoor braadsap en aroma ontsnapt.
- Draai het grillgoed indien mogelijk slechts eenmaal om. Volg hierbij de tips in uw recept.
- Bestrijk het grillrooster (16/19) nooit direct met olie. Om een gelijkmatiger bruin oppervlak te krijgen en eventueel vastplakken aan het grillrooster te voorkomen, kan het nuttig zijn om het grillgoed licht met olie te bestrijken.
- Leg geen aluminiumfolie in de grill, want daardoor kan de luchtcirculatie gehinderd worden.

TIPS VOOR "GRILLEN MET GRILLROOSTER" EN "GRILLEN MET DRAAISPIES"

Lees alle aanwijzingen en tips nauwgezet door voordat u begint te grillen. De BODUM® Cone-Grill is geschikt voor twee verschillende manieren van grillen: grillen met grillrooster en grillen met draaispies.

GRILLEN MET GRILLROOSTER

Door de boven elkaar liggende grillroosters (16/19) kan de etenswaren worden bereid met verschillende hitte-intensiteit. Het onderste grillrooster-klein (19) is uitstekend geschikt voor grillgoed dat op hoge temperatuur verhit moet worden om voldoende gaar te worden (bijv. steaks, schaschlik, karbonade enz.)

Het bovenste grillrooster (16) is zeer goed geschikt voor grillgoed dat op minder hoge temperatuur over een langere tijd verhit moet worden om voldoende gaar te worden (bijv. groente, worst, kip of visfilet enz.)

GRILLEN MET DRAAISPIES EN GRILLMOTOR

De BODUM® Cone-Grill kan zeer eenvoudig en moeiteloos worden omgebouwd tot een grill met draaispies (17). Dankzij de meegeleverde grillmotor (12) wordt het grillgoed met de draaispies gelijkmatig rondom gaar.

Steek het grillgoed, het liefst zoveel mogelijk naar het midden toe en zo dicht mogelijk op elkaar, op de draaispies (17) en bevestig het grillgoed met beide positiehaken (9) op de draaispies. Plaat het grillgoed het liefst in het midden van de grill om te zorgen voor een gelijkmatige gewichtsverdeling.

De exacte gaartijd kan sterk verschillen afhankelijk van de soort en grootte van het grillgoed. Wijk daarom niet van de tips in uw recept af.

Voorzichtig! Vet dat vanaf het grillgoed op gloeiende kooltjes belandt kan steekvlammen veroorzaken. Doof deze vlammen niet met water. Zorg in plaats daarvan dat de grillkooltjes zo op het houtskoolrooster (20) zijn gelegd dat er geen vet op de gloeiende kooltjes kan druppelen.

Maximaal gewicht van het grillgoed voor gebruik aan de draaispies: 2 kg.

AANWIJZINGEN VOOR ONDERHOUD

U kunt de levensduur van uw BODUM® Cone-Grill met jaren verlengen door deze eens per jaar grondig schoon te maken. Gebruik voor het reinigen van het grillrooster, de draaispies en de grill geen scherpe voorwerpen of schuurmiddelen, want deze beschadigen het oppervlak.

Volg voor reiniging deze eenvoudige stappen:

- Vergewis u ervan dat de grill is afgekoeld en dat alle kooltjes zijn uitgegloeid.
- Verwijder de as.
- Neem het grillrooster of de draaispies en het houtskoolrooster uit en verwijder de grillmotor.
- Was de grill met een mild reinigingsmiddel en water. Spoel de grill grondig af met schoon water en droog hem af met een doek.
- Het grillrooster hoeft niet na elk gebruik te worden gereinigd. U hoeft alleen de resten met een messingborstel of met een prop aluminiumfolie los te maken en met keukenpapier af te vegen.
- Neem de grillmotor af met een enigszins vochtige doek. Dompel de grillmotor nooit onder in water.

HJÄRTLIGT VÄLKOMMEN UTOMHUS!

Vad förknippar vi mer med vår och sommar än att äta ute? Vad gör nöjet mer perfekt än en riktigt förstklassig BBQ? Oavsett vad du föredrar – en rejäl biff, en krispig korv eller även grillade grönsaker – med BODUM:s® kongrill "FYRKAT" har du gjort rätt val för att få en riktigt härlig sommar i goda vänners lag. En BBQ är väl det enda kulinariska tillfället då talesättet "ju fler kockar, desto sämre soppa" inte stämmer in. Här lagar flera kockar. Om du inte vill låta dig förföras av alltför mycket av feta såser, så är grillat inte bara underbart läckert, utan även nyttigt och smalt, särskilt om det rör sig om magert kött, fisk eller grönsaker.

Smaklig måltid!

Nu vill vi bara be dig om att läsa igenom bruksanvisningen med säkerhetsråd och varningar liksom de värdefulla grilltipsen och – givetvis – önska dig en underbar sommar.

Ditt Designerteam från BODUM®

Montageanvisning

MONTERING AV GRILLEN

1. Skruv M5 (8 st)
2. Skruv M6 (5 st)
3. Mutter M5 (8 st)
4. Mutter M6 (6 st)
5. Hattmutter M6 (3 st)
6. Bricka Ø 5 mm (16 st)
7. Bricka Ø 6 mm (9 st)
8. Låsbricka Ø 6 mm (6 st)
9. Positioneringskrok (2 st)
10. Handtag
11. Hållplatta för motorn med krokar för grillbestick
12. Grillmotor (batteridrivnen 1 x LR20/1,5 V / D, omfattas ej av leveransen)
13. Ben med vinkel (3 st)
14. Ben med fot (3 st)
15. Stabilisator
16. Stort grillgaller
17. Grillspett med vev
18. Anslagsplatta
19. Litet grillgaller
20. Kolgaller
21. Öppning för att hålla stekspettet på plats
22. Grillskål
23. Behållare för askan
24. Ventilationsöppningar
25. Stor hållhake
26. Liten hållhake

MONTERINGSANVISNING

Bild A

Obs! Dra inte åt skruvarna och muttrarna för hårt vid följande monteringssteg.

Ställ grillskålen (22) försiktigt på ett jämnt underlag och montera var och en av de tre benen med vinkel (13) på grillskålen (22). Använd två M6-skruvar (2) för vardera ben, två brickor Ø 6 mm (7), två låsbrickor Ø 6 mm (8) och två muttrar M6 (4). För därefter in alla benen med vinkel (13) i benen med fot (14) och fäst benen med hjälp av stabilisatorn (15), brickor (7) och hattmuttrar (5) enligt bild A. Dra därefter åt grillens alla skruvar och muttrar så att alla delar sitter fast ordentligt.

Bild B

Ställ grillen på benen, på ett säkert och jämnt underlag och montera behållaren för askan (23) på grillskålen (22). Ventilationsöppningarna (24) och behållaren för askan (23) kan öppnas och tillslutas genom att vrida behållaren för aska. Vid grillning ska ventilationsöppningarna (24) vid behållaren för aska hållas öppna om det är möjligt, för att säkerställa tillräcklig luftcirkulation.

Montera nu handtaget (10) och hållplattan för motorn med krokar för grillbestick (11) med hjälp av skruvar M5 (1), bricka Ø 5 mm (6) och muttrar M5 (3) på grillskålen (22).

Bild C och D

BODUM:s "FYRKAT" kongrill kan användas på två sätt: som grill med grillgaller (16 / 19) och som grill med grillspett med vev (17). Var vänlig och följ motsvarande monteringshänvisning vid bild C och D.

Grill med grillgaller (bild C)

Om du vill använda BODUM:s kongrill med grillgaller, ska kolgallret (20) först placeras i grillskålen (22). Därefter ska det lilla grillgallret (19) med roststavarna vända nedåt i grillskålen (22). Kontrollera att den bakre roststaven placeras exakt i den lilla hållhaken (26) (se bild C/Detalj X) för att placera det lilla grillgallret (19) på rätt plats.

Därefter ska det stora grillgallret (16) placeras med roststavarna uppåt på grillskålens (22) övre rand i de avsedda öppningarna i grillskålen (22). Observera även att det stora grillgallret (16) ska placeras i den stora hållhaken (25) (se bild C/Detalj Y)

Grill med grillspett med vev (17)

Om du vill använda din kongrill från BODUM® med grillspett med vev och grillmotor, ska kolgallret (20) läggas i grillskålen (22) först. Stoppa in de båda positioneringskrokarna (9) på grillspettet med vev (17) och skruva fast dessa i önskad position. Positionshakarna (9) syftar till att det som ska grillas rullas jämnt på grillspettet (17). Lägg nu i ett batteri (LR20, 1,5 V / D, omfattas ej av leveransen) i grillmotorn (12) och stoppa i grillmotorn från sidan in i hållplattan för motorn (11). För grillspettet med vev (17) genom hålen på grillskålen (22) och hållplattan för motorn (11) i grillmotorns fyrkantiga hål och den andra sidan av grillspettet i hålen på grillskålen (21). Kontrollera därvid att grillspettets (17) anslagsplatta (18) befinner sig i grillskålen (22). Detta förhindrar att grillspettet faller ur under grillningen.

OBS! När du grillar med grillspett får inte det lilla grillgallret (19) eller det stora grillgallret (16) vara monterat.

Var vänlig och använd alltid ett avsett grillbestick (BODUM® FYRKAT Grillbestick) och grillhandskar för att sätta in eller avlägsna kolgallret (20), det lilla grillgallret (19) och det stora grillgallret (16) i/ut ur grillen.

Vi rekommenderar att man låter BODUM:s kongrill och kolen grilla i minst 30 minuter innan man använder grillen första gången.

Kolens maximala fyllnadsmängd: 6 cm över kolgallret.

INFORMATION OM RISKER

Underlåtenhet att beakta dessa säkerhetsråd och försiktighetsåtgärder kan leda till allvarliga personskador eller skador. Dessutom kan en felaktig montering av BODUM®-grillen leda till allvarlig fara. Följ monteringsanvisningarna i denna bruksanvisning.

- Använd grillen först då alla delar har monterats ordentligt och sitter fast ordentligt.
- Försäkra dig inför varje användning om att behållaren för aska är korrekt fästad. Grillen får inte användas om behållaren för aska (23) inte är monterad.
- Får inte användas i slutna rum! BODUM:s kongrill är endast utvecklad för utomhusbruk. Giftiga rökgaser kan utvecklas i rum. Använd aldrig grillen under brännbara tak eller hyllor eller i garage eller liknande.
- Spruta aldrig tändvätska direkt på het eller varm grillkol, och lägg inte grillkol som är indränkt med tändvätska på het eller varm grillkol! Tillslut behållaren för tändvätska och förvara den på säkert avstånd från grillen efter att tändvätskan har använts.
- VAR FÖRSIKTIG! Ingen sprit, ingen bensin eller liknande vätskor får användas för att tända på eller återtända! Använd enbart braständare som lever upp till EN1860-3!
- OBSERVERA! Kontrollera att inga vätskor har samlats i behållaren för aska (23) eller grillskålen (22) om du använder tändvätskor!
- OBS! Barn och husdjur får inte utan uppsikt uppehålla sig i närheten av en het grill.
- OBS! BODUM:s kongrill blir mycket het och får inte flyttas då den används. Lämna aldrig grillen utan översikt då den används.
- Grill och brännbart material ska befinna sig minst 1,5 m från varandra.
- Ställ inte grillen på en brännbar yta.
- Tänk på att inte bära kläder med vida, långa ärmar då du grillar.
- Avlägsna askan först då all grillkol helt har slutat glöda och då askan har svalnat.
- Kasta aldrig het aska, grillkol eller kolrester som fortfarande glöder. Brandrisk!
- För att flytta grillen, lyft den försiktigt i handtaget (10) och placera den på önskad plats. Flytta aldrig på grillen då den är het! Vänta tills grillen och kolen har svalnat innan du skjuter på eller lyfter den.
- Häng inga svarta eller brännbara eller värmekänsliga föremål på hållplattan för motorn med krokarna för grillbestick (11). Krokarna för grillbestick är enbart avsedda för att användas med grillbestick från BODUM®.
- Använd bara grillmotorn (12) som är med i leveransen och skydda den från hetta, kyla och fukt.
- Avlägsna batteriet ur grillmotorn (12), om grillmotorn inte ska användas under längre tid, för att undvika att batteriet läcker.
- Grilla inte vid stark vind.
- BODUM®-grillen är inte avsedd för att monteras i, eller för användning i husvagnar, husbilar eller på båtar.
- BODUM® kongrill får inte användas som uppvärmning.

Säkerhetsanvisningar

Ställ din BODUM® kongrill på ett säkert underlag innan du börjar använda den. Luta den aldrig och ställ den aldrig snett!

- Försäkra dig inför varje användning om att behållaren för aska (23) är monterad och att ventilationsöppningarna (24) är öppna.
- Om du använder en tändkamin (BODUM® FYRKAT Chimney Starter) för att tända kolen: Försäkra dig om att ventilationsöppningarna (24) och behållaren för aska (23) är tillslutna då glödande kol flyttas. Öppna ventilationsöppningarna på behållaren på aska först efter att all kol är flyttad i BODUM:s® kongrill.
- Lägg alltid grillkolen på kolgallret (20), inte direkt på grillskålens (22) botten eller i behållaren för aska (23).
- Vidrör inte vare sig grillen eller gallret för att kontrollera om de är varma.
- Bär alltid grillhandskar eller grytlappar för att skydda händerna vid grillning eller vid inställning av ventilationsöppningarna (24).
- Använd grillbestick (BODUM® FYRKAT grillbestick) med långa handtag.
- Tillslut ventilationsöppningarna (24) vid behållaren för aska (24) när du vill släcka grillkolen, och vänta tills kolen och grillens alla delar har svalnat helt. Släck inte kolen med vatten, eftersom den emaljerade ytan kan skadas av det.
- Använd inte vatten för att släcka uppflammande fett. Placera i stället det som ska grillas på ett annat ställe på grillgallret (16 / 19) och vänta några sekunder tills det uppflammande fett har brunnit upp.
- Heta elektriska tändare måste hanteras med försiktighet och förvaras på en säker plats. Var vänlig och följ motsvarande bruksanvisning.
- Var vänlig och se till att elektriska kablar hålls borta från heta ytor.

ANVÄNDBARA RÅD

- Vänta ca 25 - 30 minuter innan du börjar grilla, efter att du har tänt på grillen, tills grillkolen är täckta med ett tunt grått lager.
- Ventilationsöppningarna (24) på behållaren för aska (23) ska alltid vara öppna under grillningen. Bär alltid grillhandskar vid inställning av ventilationsöppningarna.
- Använd enbart grillkol eller kokosbricketter av god kvalitet och förvara dessa torrt, eftersom de lätt absorberar fukt och har svårt att fatta eld i ett sådant tillstånd. Om du vill förvara bricketterna utomhus, är det bäst att använda en vattenfast behållare med ett tättslutande lock.
- Om du använder tändvätska, låt denna dra under några minuter innan du tänder på. Obs! Kontrollera att tändvätska samlas i grillskålen (22) eller i behållaren för aska (23).
- Denna grill är avsedd för att grilla med galler samt med vridande grillspett. Använd motsvarande grillmetod som anges i receptet. Tips för båda grillmetoderna återfinns under rubriken "Tips för grillning med grillgaller" och "Grilla med vridande grillspett".
- Använd en stekspade (BODUM® FYRKAT grillspade) eller en grilltång (BODUM® FYRKAT grilltång), för att vända det som ska grillas. Undvik att sticka vassa föremål i köttet eftersom köttsaften och aromen då sipprar ut.
- Om det är möjligt, vänd den grillade maten enbart en gång. Följ råden i receptet gällande den frågan.
- Stryk aldrig olja direkt på grillgallret (16 / 19). För att uppnå en jämn brun yta och för att undvika risken för att maten klibbar fast i grillgallret, kan det hjälpa att pensla maten som ska grillas med lite olja.
- Lägg inte aluminiumfolie i grillen eftersom luftgenomströmningen kan förhindras av detta.

TIPS FÖR "GRILLNING MED GRILLGALLER" OCH GRILLNING MED VRIDANDE GRILLSPETT

Var vänlig och läs noggrant igenom råden och tipsen innan du börjar grilla. BODUM® kongrill är avsedd för två olika sorters grillning: Grillning med grillgaller och grillning med vridande grillspett.

GRILLNING MED GRILLGALLER

Genom de båda grillgallren (16 / 19) som ligger över varandra låter sig maten tillredas med olika stark hetta. Det undre, lilla grillgallret (19) är utmärkt för mat som ska grillas vid stark hetta (t ex biff, saschlik och kotletter).

Det övre grillgallret (16) är utmärkt för mat som ska grillas vid mindre hetta, under en längre tid (t ex grönsaker, korv, kyckling och fiskfilé).

GRILLA MED VRIDANDE GRILLSPETT OCH GRILLMOTOR

BODUM® kongrill är mycket lätt att bygga om till en grill med vridande grillspett (17). Tack vare grillmotorn (12) som omfattas av leveransen tillagas maten som ska grillas jämnt runt om.

Sätt på maten som ska grillas så fast och så nära mitten som möjligt på det vridande grillspettet (1) och fixera maten som ska grillas med de båda positioneringshakarna (9) på det vridande grillspettet. Placera maten som ska grillas så nära grillens mitt som möjligt, för att uppnå en jämn viktfördelning.

Den exakta tillagningstiden beror mycket på vilken typ av mat som grillas och dess storlek. Följ därför råden i ditt recept noggrant.

Varning! Fett som droppar på glödande kol kan orsaka sprutande eld. Släck inte denna eld med vatten. Flytta istället grillkolen på kolgallret (20) så att inget fett kan droppa på den glödande kolen.

Maximal vikt på den grillade maten vid användning av vridande grillspett: 2 kg.

Råd om skötseln

Du kan förlänga livslängden på din kongrill från BODUM® med flera år om du rengör den ordentligt en gång om året. Använd inga vassa föremål eller rengöringsmedel som innehåller slipmedel vid rengöringen av grillgallret, det vridande grillspettet eller grillen eftersom detta skadar ytan.

Följ dessa lätta steg vid rengöringen:

- Kontrollera att grillen har svalnat och att allt kol har slutat att glöda.
- Avlägsna askan.
- Ta ur grillgallret eller det vridande grillspettet och kolgallret och avlägsna grillmotorn.
- Rengör grillen med ett mildt rengöringsmedel och vatten. Skölj noggrant av grillen med rent vatten och torka den torr.
- Grillgallret behöver inte rengöras efter varje grillning. Det räcker att torka av rester med en stålborste i mässing eller med en bit hopknycklad aluminiumfolie och därefter torka av med hushållspapper.
- Torka av grillmotorn med en lätt fuktad trasa, tills den blir ren. Doppa aldrig ned grillmotorn i vatten.

SEJA BEM-VINDO AO AR LIVRE!

O que há de mais típico durante a Primavera e o Verão do que comer ao ar livre? E o que poderia ser mais perfeito do que um churrasco de primeira categoria? Independentemente do que pretende cozinhar – um apetitoso bife, enchidos saborosos ou até legumes grelhados, o grelhador cone “FYRKAT” da BODUM® é a escolha certa para o convívio de Verão. O churrasco é provavelmente o único evento culinário em que o provérbio “Muitos cozinheiros estragam a sopa” não se aplica: aqui, quantos mais cozinheiros, melhor. Se não é grande apreciador de molhos pesados, os grelhados são ideais para si. Não só são extremamente saborosos, como também são saudáveis e leves, especialmente, se cozinhar carnes com pouca gordura, peixe e legumes.

Bom apetite!

Resta-nos só pedir-lhe que leia atentamente e na íntegra estas instruções de utilização, com importantes indicações de segurança e de perigo, assim como boas dicas para os seus grelhados, e desejar-lhe um óptimo Verão.

A sua equipa de design BODUM®

INSTRUÇÕES DE MONTAGEM:

MONTAGEM DO GRELHADOR

1. Parafuso M5 (8 uni.)
2. Parafuso M6 (6 uni.)
3. Porca M5 (8 uni.)
4. Porca M6 (6 uni.)
5. Porca de capa M6 (3 uni.)
6. Anilha plana Ø 5 mm (16 uni.)
7. Anilha plana Ø 6 mm (9 uni.)
8. Anilha de bloqueio Ø 6 mm (6 uni.)
9. Gancho de posição (2 uni.)
10. Pega
11. Placa de suporte do motor com cavilha
12. Motor do grelhador (funciona a pilhas 1 x LR20/1,5 V / D, não incluída)
13. Perna com ângulo (3 uni.)
14. Perna com pé de suporte (3 uni.)
15. Estabilizador
16. Grelha- grande
17. Espeto rotativo
18. Anilha batente
19. Grelha-pequena
20. Grelha para carvão vegetal
21. Ranhura para espeto
22. Cuba
23. Colector de cinzas
24. Aberturas de ventilação
25. Gancho de suporte-grande
26. Gancho de suporte-pequeno

INSTRUÇÕES DE MONTAGEM

Figura A

Atenção! Ainda não deve apertar demasiado os parafusos e as porcas no passo de montagem seguinte.

Coloque a cuba (22) cuidadosamente sobre uma superfície plana e monte as três pernas com ângulo (13) uma após a outra na cuba (22). Utilize por perna respectivamente dois parafusos M6 (2), duas anilhas planas Ø 6 mm (7), duas anilhas de bloqueio Ø 6 mm (8) e duas porcas M6 (4). Em seguida insira em cada perna com ângulo (13) uma perna com pé de suporte (14) e fixe as pernas com o estabilizador (15), as anilhas planas (7) e as porcas de capa (5) conforme representado na Fig. A. Aperte suficientemente todos os parafusos e porcas do grelhador, para que todas as peças fiquem bem fixas.

Figura B

Coloque o grelhador com as pernas sobre uma base estável e plana, e monte o colector de cinzas (23) na cuba (22). As aberturas de ventilação (24) do colector de cinzas (23) podem ser abertas e fechadas rodando o colector. Para grelhar, as aberturas de ventilação (24) do colector de cinzas devem permanecer sempre abertas para assegurar uma circulação de suficiente.

Monte agora a pega (10) e a placa de suporte do motor com cavilhas (11) através dos parafusos M5 (1), as anilhas planas 5 mm (6) e as porcas M5 (3) na cuba (22).

Figuras C e D

O grelhador cone "FYRKAT" da BODUM® pode ser utilizado de duas formas: como grelhador com grelha (16 / 19) e como grelhador com espeto rotativo (17). Observe as respectivas instruções de montagem nas figuras C e D.

Grelhador com grelha (Figura C)

Se pretender utilizar o grelhador cone da BODUM® com grelha, coloque primeiro a grelha para carvão vegetal (20) na cuba (22). Em seguida posicione a grelha-pequena (19) com as barras da grelha viradas para baixo na cuba (22). Certifique-se de que a barra da grelha traseira é posicionada exactamente no gancho de suporte-pequeno (26) (consulte a Fig. C / detalhe X), para fixar a posição da grelha-pequena (19).

Em seguida coloque a grelha-grande (16) com as barras da grelha viradas para cima sobre o rebordo da cuba (22) nos respectivos entalhes da cuba (22). Certifique-se de que posiciona a grelha-grande (16) no gancho de suporte-grande (25) (consulte a Fig. C / detalhe Y)

Grelhador com espeto rotativo (17)

Se pretender utilizar o grelhador cone da BODUM® com espeto rotativo e motor de grelhador, coloque primeiro a grelha para carvão vegetal (20) na cuba (22). Aplique os dois ganchos de posição (9) no espeto rotativo (17) e aparafuse-os na posição pretendida. Os ganchos de posição (9) asseguram que o alimento a grelhar gire uniformemente no espeto rotativo (17). Insira agora uma pilha (LR20, 1,5 V / D, não incluída) no motor do grelhador (12) e insira o motor do grelhador na placa de suporte do motor (11) a partir do lado. Enfie o espeto rotativo (17) através do orifício da cuba (22) e da placa de suporte do motor (11) no orifício quadrado do motor do grelhador (12) e a outra extremidade do espeto rotativo na ranhura (21) da cuba. Certifique-se de que a anilha batente (18) do espeto rotativo (17) se encontra dentro da cuba (22). Esta evita que o espeto rotativo caia durante o grelhar.

Nota! A grelha-pequena (19) e a grelha-grande (16) não devem ser montadas se grelhar com o espeto rotativo.

Para inserir ou retirar a grelha para carvão vegetal (20), a grelha-pequena (19) e a grelha-grande (16) no grelhador utilize sempre utensílios para grelhador adequados (utensílios para grelhador FYRKAT da BODUM®) e luvas para grelhador.

Antes de utilizar o grelhador cone da BODUM® pela primeira vez, recomendamos que deixe o carvão arder, pelo menos, 30 minutos.

Quantidade máxima de carvão: 6 cm acima da grelha para carvão vegetal.

INDICAÇÕES DE PERIGO

O incumprimento destas indicações de segurança e precauções pode dar origem a ferimentos ou danos graves. A montagem incorrecta do grelhador cone da BODUM® pode representar grandes perigos. Respeite os passos de montagem destas instruções de utilização.

- Utilize o grelhador apenas quando todas as peças estiverem devidamente montadas e fixadas.
- Antes de cada utilização, certifique-se de que o colector de cinzas está correctamente colocado. Não use o grelhador sem o colector de cinzas (23) estar montado.
- Não utilize em espaços fechados! O grelhador cone da BODUM® foi concebido apenas para utilização no exterior. Em espaços fechados, podem formar-se gases de combustão tóxicos. Nunca utilize o grelhador sob tectos ou alpendres inflamáveis, nem em garagens ou edifícios semelhantes.
- Nunca deite a acendalha líquida sobre carvão quente ou morno! Após a utilização, feche o recipiente de acendalha líquida e guarde-o a uma distância segura do grelhador.
- CUIDADO! Não use álcool etílico, gasolina ou outros líquidos semelhantes para acender ou reacender o grelhador! Use apenas acendalhas em conformidade com a norma EN1860-3!
- ATENÇÃO! Se usar acendalhas líquidas, certifique-se de que não se acumulam líquidos no colector de cinzas (23) nem na cuba (22).
- ATENÇÃO! Crianças e animais não devem permanecer na proximidade de um grelhador quente sem supervisão.
- ATENÇÃO! O grelhador cone da BODUM® aquece muito e não deve ser deslocado durante a utilização. Não deixe o grelhador sem supervisão quando está aceso.
- Deve manter uma distância mínima de 1,5 m entre o grelhador e materiais inflamáveis.
- Não coloque o grelhador sobre superfícies inflamáveis.
- Ao grelhar, não use roupa com mangas compridas e largas.
- Retire as cinzas apenas quando todos os briquetes de carvão já não estiverem incandescentes e as cinzas tiverem arrefecido.
- Nunca deite fora cinzas quentes, briquetes ou restos de carvão ainda incandescentes. Perigo de incêndio!
- Para deslocar o grelhador, levante-o ligeiramente pela pega (10) e coloque-o no local pretendido. Nunca desloque o grelhador quando este está quente! Aguarde que o grelhador arrefeça antes de o deslocar ou levantar.
- Não pendure objectos pesados, inflamáveis ou sensíveis ao calor na placa de suporte do motor com cavilha (11). As cavilhas destinam-se apenas à utilização com utensílios para grelhador da BODUM®.
- Utilize apenas o motor do grelhador (12) fornecido e proteja-o contra calor, frio e humidade.
- Retire a pilha do motor do grelhador (12), se não utilizar o grelhador durante um período de tempo prolongado, para evitar fugas da pilha.
- Não grelhe se o vento estiver forte.
- O grelhador da BODUM® não é indicado para montagem ou utilização em autocaravanas, roulotes ou barcos.
- O grelhador cone da BODUM® não deve ser utilizado como aquecedor.

INDICAÇÕES DE SEGURANÇA

Antes da utilização do grelhador cone da BODUM® coloque-o sobre uma base estável. Nunca o tombe nem o deixe inclinado!

- Antes de cada utilização, certifique-se de que o colector de cinzas (23) está montado e as aberturas de ventilação (24) estão abertas.
- Se utilizar uma chaminé de acendimento (Chimney Starter FYRKAT da BODUM®) para atear o carvão: assegure que as aberturas de ventilação (24) do colector de cinzas (23) estão fechadas durante a transferência do carvão incandescente. Abra as aberturas de ventilação do colector de cinzas só depois de ter transferido todo o carvão para o grelhador cone da BODUM®.
- Coloque sempre o carvão vegetal na respectiva grelha (20), não o deite directamente no fundo da cuba (22) ou no colector de cinzas (23).
- Não toque no grelhador nem na grelha para ver se estes estão quentes.
- Ao grelhar e ao ajustar as aberturas de ventilação (24) use sempre luvas próprias ou pegas para proteger as mãos.
- Utilize utensílios próprios (utensílios para grelhador FYRKAT da BODUM®) com cabo comprido.
- Se pretender apagar o carvão, feche as aberturas de ventilação (24) no colector de cinzas (23) e aguarde até o carvão e todas as peças do grelhador terem arrefecido completamente. Não apague o carvão vegetal com água, caso contrário, poderá danificar a superfície esmaltada.
- Não utilize água para apagar gordura que se tenha incendiado. Em vez disso coloque o alimento a grelhar num outro lugar da grelha (16 / 19) e aguarde alguns segundos até a gordura incendiada queimar.
- Os isqueiros eléctricos quentes devem ser manuseados cuidadosamente e guardados num local seguro. Respeite as respectivas instruções de utilização.
- Mantenha cabos eléctricos afastados das superfícies quentes.

INDICAÇÕES ÚTEIS

- Depois de atear o carvão vegetal, aguarde aproximadamente 25 a 30 minutos até o carvão estar coberto com uma camada cinzenta-clara para começar a grelhar.
- As aberturas de ventilação (24) do colector de cinzas (23) devem permanecer sempre abertas enquanto estiver a grelhar. Para ajustar as aberturas de ventilação, use sempre luvas próprias.
- Utilize apenas briquetes de carvão vegetal ou de coco de boa qualidade e guarde-os num local seco, dado que absorvem facilmente a humidade e tem uma má combustão quando húmidos. Se pretender guardar os briquetes no exterior, a melhor opção será utilizar um recipiente resistente às intempéries e com uma tampa que feche bem.
- Se utilizar acendalha líquida, deixe o carvão vegetal absorvê-la durante alguns minutos antes de acender. **ATENÇÃO!** Tenha cuidado para que não se acumule líquido na cuba (22) nem no colector de cinzas (23).
- Este grelhador é adequado para grelhar com grelha e para grelhar com espeto rotativo. Escolha o método que seja apropriado para as suas receitas. Na rubrica "Dicas para 'Grelhar com grelha' e 'Grelhar com espeto rotativo'" encontra dicas sobre os dois métodos de grelhar.
- Use uma espátula (espátula para grelhador FYRKAT da BODUM®) ou uma pinça (pinça para grelhador FYRKAT da BODUM®) para virar os alimentos. Evite espetar objectos afiados na carne para o molho e o aroma não se escaparem.
- Se possível, vire os alimentos apenas uma vez. Siga as indicações das suas receitas.
- Nunca unte a grelha (16 / 19) directamente com óleo. Para obter uma superfície tostada mais uniforme e evitar que os alimentos fiquem agarrados à grelha, pode ajudar untar os alimentos com um pouco de óleo.
- Não cubra o grelhador com folha de alumínio para não impedir a passagem do ar.

DICAS PARA "GRELHAR COM GRELHA" E "GRELHAR COM ESPETO ROTATIVO"

Leia atentamente todas as instruções e dicas antes de grelhar. O grelhador cone da BODUM® é adequado para duas formas de grelhar diferentes: grelhar com grelha e grelhar com espeto rotativo.

GRELHAR COM GRELHA

As duas grelhas (16 / 19) sobrepostas permitem a preparação dos alimentos com intensidades de calor diferentes. A grelha-pequena (19) inferior adequa-se excelentemente a alimentos que devem ser cozinhados rapidamente com calor intenso (por exemplo, bifés, espetadas, costeletas, etc.).

A grelha-grande (16) superior adequa-se excelentemente a alimentos que devem ser cozinhados a um calor mais brando e durante mais tempo (por exemplo vegetais, salsichas, frango ou filetes de peixe, etc.).

GRELHAR COM ESPETO ROTATIVO E MOTOR DE GRELHADOR

O grelhador cone da BODUM® pode ser convertido rápida e facilmente num grelhador com espeto rotativo (17). Graças ao motor de grelhador (12) incluído os alimentos são cozinhados uniformemente com o espeto rotativo.

Coloque o alimento centrado e compactamente no espeto rotativo (17) e fixe-o com os dois ganchos de posição (9) no espeto rotativo. Posicione o alimento no centro do grelhador para obter uma distribuição uniforme do peso.

O tempo de cozedura exacto varia consideravelmente em função do tipo e tamanho do alimento. Por este motivo siga sempre as indicações das suas receitas.

Cuidado! A gordura do alimento que pinga sobre o carvão em brasa pode provocar chamas. Não apague estas chamas com água. Em vez disso disponha o carvão na grelha para carvão vegetal (20) de forma que a gordura não consiga pingar sobre o carvão em brasa.

Peso máximo do alimento para a utilização com o espeto rotativo: 2 kg.

INSTRUÇÕES DE CUIDADO

Pode prolongar a vida útil do seu grelhador cone da BODUM® em anos se o limpar a fundo uma vez por ano. Não utilize objectos afiados ou produtos abrasivos para limpar a grelha, o espeto rotativo e o grelhador pois podem danificar as superfícies.

Siga estes passos simples para a limpeza:

- Certifique-se de que o grelhador arrefeceu e que as brasas se apagaram.
- Remova a cinza.
- Retire a grelha ou o espeto rotativo e a grelha para carvão vegetal e retire o motor do grelhador.
- Lave o grelhador com um detergente suave e água. Enxague-o abundantemente com água limpa e seque-o.
- A grelha não tem de ser limpa após cada utilização. Basta raspar os restos com uma escova de latão ou com um pedaço de película de alumínio amachucado e limpar depois com papel de cozinha.
- Limpe o motor do grelhador com um pano limpo ligeiramente húmido. Nunca mergulhe o motor do grelhador em água.

BODUM® SHOPS & SHOP-IN-SHOP**AUSTRALIA****SHOP-IN-SHOP**

Galerie, Bondi Junction (NSW)
 Il Mondo, Townsville (QLD)
 Kitchenware-Plus, Loganholme/
 Brisbane (QLD)
 Moda Aroma, Cairns (QLD)
 Peters of Kensington (NSW)
 Your Habitat, Hobart (TAS)
 Your Habitat, Canberra (ACT)
 Your Habitat, Launceston (TAS)
 Dallimores (WA)
 Inside Out (NSW)
 Roost (VIC)
 Cucina Cucina (NSW)
 MYER (NSW)
 MYER (QLD)
 MYER (SA)
 MYER (VIC)
 David Jones (NSW)
 David Jones (QLD)

AUSTRIA**BODUM® STORE**

Marc Aurel Strasse 2 b
 A-1010 Wien
 T +43 1 925 7999
 F +43 1 925 7999
 shop.wien@bodum.com

SHOP-IN-SHOP

Cusinarium, Singerstrasse 14,
 1010 Wien
 Herwig Gasser, Süßes vom Feinsten
 AG, Albertschweizergasse 4, 1140 Wien
 Slama, Mariahilferstrasse 71,
 1060 Wien
 Redl, Taubenmarkt Arkade Spittelwiese
 6, 4020 Linz
 Rechberger, Lastenstrasse 42, 4021 Linz
 Schildmeier, Gärtnerstrasse 6,
 4600 Wels
 Rösler + Wagner, Schärdingerstasse 63,
 4910 Ried
 Zur Küchenfee, Linzergassen 56, 5020
 Salzburg
 Brühwasser, Stadtplatz 56,
 5280 Brunau
 Putzenbacher, Anichstrasse 14,
 6020 Innsbruck
 Ortner und Stanger, Fürstenweg 66,
 6050 Innsbruck
 Eder, Franz-Josefs Platz 2 – 4,
 6332 Kufstein
 Tschofen, Rathhausgasse 2,
 6700 Bludenz
 Frühauf, Kaiserstrasse 15, 6900 Bregenz
 Klammerth, Herrengasse 7 – 9,
 8010 Graz
 Kastner & Öhler Sackstrasse 7 – 13,
 8021 Graz

PARTNERS

Interio Austria
 Kika
 Leiner
 Lutz

ONLINE SHOP AUSTRIA

www.bodum.com

BELGIUM**BODUM® OUTLET**

Maasmechelen Village
 Shop number 96
 Zetellaan 196
 3630 Maasmechelen
 T 00 32 89 773731
 F 00 32 89 773732
 shop.maasmechelen@bodum.com

SHOP-IN-SHOP

INNO, Antwerp
 INNO, Bruxelles, rue Neuve

CANADA**SHOP-IN-SHOP**

THE BAY (QUEENS STREET),
 176 Yonge Street, Toronto, ON,
 M5C 2L7
 THE BAY (MONTREAL),
 585 Rue Catherine Ouest,
 Montreal, QC, H3B 3Y5
 THE BAY (YORKDALE), 3401 Dufferin
 St., Toronto, ON, M6A 2T9
 THE BAY (BAYSHORE), 100 Bayshore
 Dr., Nepean, ON, K2B 8C1
 THE BAY (SOUTHCENTER), 100
 Anderson Rd. Southeast, Calgary, AB,
 T2J 3V1
 THE BAY (SOUTHGATE), 111 St. & 51
 Ave., Edmonton, AB, T6H 4M7
 THE BAY (MISSISSAUGA), 100
 City Court Drive, Hwy10 and
 Burnhamthorpe Road West,
 Mississauga, ON , L5B 2C9
 BOUTIQUE 1101 LAURIER,
 1101 Avenue Laurier Outermont,
 Montreal, QC, H2V 2L3
 HOMEWERX, 1053 Davie Street,
 Vancouver, BC, V6E 1M5
 CALL THE KETTLE BLACK, 2294 W. 4th
 Avenue, Vancouver, BC, V6K 1N8
 BRADSHAW'S, 129 Ontario St.,
 Stratford, ON, N5A 3H1
 JILL'S TABLE, 115 King St., London, ON,
 N6A 1C3
 POT EN CIEL, 27 Rue de Petit-Champlin,
 Quebec, QC, G1K 4H5
 VINCENT & MOORE, 825 Rue Saint-
 Laurent Ouest, #44, Longueuil, QC, J4K
 2V1
 THE CASUAL GOURMET, 1027 King
 Street West, Hamilton, ON, L8S 1L6
 TEA DESIRE, 1232-Barnet Highway,
 Coquitlam, BC, V3B 5R5
 LE CHEF COMPLET, 447 Brant Street,
 Burlington, ON, L7R 2G3

CHINA**SHOP-IN-SHOP**

Sogo Department Store, 7/F, Nanjing
 West Rd., Shanghai
 CitySuper, IFC, B2, LG2, 8,
 Century avenue Pudong new district ,
 Shanghai
 ST Plaza, B1, 22 Jianguamenwai
 Avenue, Beijing
 Shin Kong Place, 5/F, No. 87, Jianguo
 Road, Chaoyang District, Beijing
 Emily Coffee, No. 0158A , Zone C,
 Chaowai SOHO, 6B, Chaowai Daijie,
 Beijing
 Music Coffee, 4# New Hope Rd,
 Chengdu, Sichuan
 Wangfujing Department Store, No.99,
 Qinxian North Street, Taiyuan
 Parkson Department Store, No. 189,
 Qinxian North Street, Taiyuan
 Chicago Coffee, 36 Times Avenue,
 Think UK Apartment Complex, 88 Jiao
 Ling Road, Kunming
 Charter Department Store, 6/F, No.1255
 Chongqing road, Chang Chun, Jilin
 Ouya Commercial Capital, 6/F, No.
 1128, Gong Nong Da Lu , Chang Chun,
 Jilin
 Nenlu Tea Lounge, 10/F, Hongyadong,
 No.88 Jiabin Road, Yuzhong District,
 Chongqing

DENMARK**SHOP-IN-SHOP**

Inspiration Illum, København K
 Inspiration Aarhus, Aarhus
 Magasin A/S Rødovre, Rødovre
 Magasin Fields, København S
 Magasin Lyngby, Lyngby
 Magasin Odense, Odense C
 Magasin Aarhus, Aarhus C
 Magasin Kgs. Nytorv, København K
 Bahne Brugskunst Fields, København S
 Bahne Brugskunst Fisketorvet,
 København V
 Bahne Brugskunst Rødovre, Rødovre
 Bahne Brugskunst Lyngby, Lyngby
 Bahne Brugskunst Roskilde, Roskilde
 Bahne Brugskunst Holbæk, Holbæk
 Bahne Brugskunst Horsens, Horsens
 Bahne Brugskunst Vejle, Vejle
 Bahne Brugskunst Aarhus C, Aarhus C
 Bahne Brugskunst Aalborg, Aalborg
 Bahne Brugskunst Esbjerg, Esbjerg

ONLINE SHOP SCANDINAVIA

www.bodum.com

ESTONIA**SHOP-IN-SHOP**

Kaubamaja, Tallinna
 Kaubamaja, Tartu

FRANCE**BODUM® STORE**

38, avenue de l'Opéra
 75002 Paris
 Ouverture Avril 2011
 T +33 1 42 33 01 68
 F +33 1 42 33 11 67
 shop.opera@bodum.com

BODUM® OUTLET

La Vallée Shopping Village
 Centre Commercial Val d'Europe
 3, cours de la Garonne
 77700 Serris
 T +33 1 64 63 26 25
 F +33 1 64 63 23 31
 shop.serris@bodum.com

SHOP-IN-SHOP

Paris
 BHV, rue de Rivoli, Paris 4ème
 BON MARCHE, 24, rue de Sévre, Paris
 7ème
 GALERIES LAFAYETTE MAISON,
 35 boulevard Haussmann, Paris 9ème
 PRINTEMPS BEAUTE MAISON 64,
 boulevard Haussmann, Paris 9ème
 Province
 ELLEN DESFORGES, 29, rue de la
 Monnaie, Lille
 GALERIES LAFAYETTE, Marseille Bourse
 GALERIES LAFAYETTE, Nice Cap 3000
 GALERIES LAFAYETTE,
 Toulouse Capitole
 PRINTEMPS, Lille
 PRINTEMPS, Vélizy 2

ONLINE SHOP FRANCE

www.bodum.com

GERMANY**SHOP-IN-SHOP**

KaDeWe, Berlin
 Karstadt, Frankfurt Zeil
 Karstadt, Dortmund
 Karstadt, Stuttgart
 Karstadt, München Bahnhofplatz
 Karstadt Bremen
 Karstadt Nürnberg
 Möbel Hesse
 Lorey, Frankfurt

ONLINE SHOP GERMANY

www.bodum.com

BODUM® SHOPS & SHOP-IN-SHOP

GREECE

SHOP-IN-SHOP

Notos Galleries
105 51, Athinas 48, Kotzia Square

HONG KONG

SHOP-IN-SHOP

Allure Living Central, 109B Caine Road, Mid-Level
Citysuper Harbour City Store, Level 3, Harbour City, Tsim Sha Tsui
Franc Franc, Shop S01-03 & S08-12, 2/F., Hang Lung Center, 2-20 Paterson St., Causeway Bay
GOD Causeway Bay, Leighton Centre, Sharp Street East Entrance, Causeway Bay
GOD Central, 48 Hollywood Road, Central
GOD Tsimshatsui, Shop B02, Basement, Silvercord, 30 Canton Road, Tsim Sha Tsui
Gourmet, Basement, Lee Gardens, Causeway Bay
Great Food Hall, Basement, Two Pacific Place, Queensway
Lane Crawford (Pacific Place), 88 Queensway, Admiralty
Lane Crawford (Times Square), 1 Matheson Street, Times Square, Causeway Bay
Lane Crawford (Tsim Sha Tsui), 3 Canton Road, Tsim Sha Tsui
Marc James Design, 16/F Horizon Plaza, Ap Lei Chau
Sogo Hong Kong Co., Ltd., 555 Hennessy Road, Causeway Bay
Today's Living Service Centre, 1/F., 20 Pak Sha Road, Causeway Bay
Towngas Avenue, G/F 59-65 Paterson St., Fashion Walk, Causeway Bay
Towngas Cooking Centre, Basement, Leighton Centre, 77 Leighton Road, Causeway Bay
Wing On (Main Store), Wing On Centre, 211 Des Voeux Road Central, Sheung Wan
Wing On (Taikoo Shing Store), Cityplaza, Units 074 & 144, 18 Taikoo Shing Road, Taikoo Shing
Wing On Plus (Nathan Road), Wing On Kowloon Center, 345 Nathan Road, Yau Ma Tei
Yata, Phase III, New Town Plaza, 2-8 Shatin Centre Street, Shatin

INDONESIA

SHOP-IN-SHOP

Metro Pondok Indah, Jakarta
Metro Senayan, Jakarta
Metro Taman Anggrek, Jakarta
Grand Lucky, Sudirman Business District, Jakarta
OGO Plaza Senayan, Jakarta
Debenhams Senayan City, Jakarta
Metro bandung Supermall, Bandung

ITALY

BODUM® STORE

Via di San Francesco a Ripa, 141 a/b
00153 Roma
T 0039 06 58 34 49 26
F 0039 06 58 97 941
shop.roma@bodum.com

BODUM® STORE

Via di Campo Marzio, 46 a/b
00186 Roma
T 0039 06 68 80 13 20
F 0039 06 68 80 13 20
shop.roma@bodum.com

SHOP-IN-SHOP

LA RINASCENTE, Milano Duomo
ONLINE SHOP ITALY
www.bodum.com

JAPAN

BODUM® OUTLET

Rinku Premium Outlet
Section 1630
3-28 Rinku Ourai Minami
Izumisano-shi
598-8508 Osaka
T +81 72 458 4688
F +81 72 458 4688
shop.rinku@bodum.com

BODUM® OUTLET

Gotemba Premium Outlet
Section 550
1312 Fukasawa, Gotemba-shi
412-0023 Shizuoka
T +81 550 81 3118
F +81 550 81 3118
shop.gotemba@bodum.com

SHOP-IN-SHOP

Illums Nihonbashi
Illums Umeda
Illums Koriyama
Illums Sapporo
Seibu Department Store Ikebukuro

ONLINE SHOP JAPAN

www.bodum.com

KOREA

Shinsegae Main, 9 F,
52-5 chungmuro Joong-Gu Seoul
Timesquare, 5F, 434-5 Youngdeungpo
4-ga Youngdeungpo- Gu Seoul
Shinsegae Busan Centerm City, 7F,
1495 Woo-dong Haewundae-gu Busan
Lotte Main, 7F, 1 Joong-gu Sogong-
dong Seoul
Lotte Kangnam, 7 F, 937 Daechi-dong
Kangnam-Gu Seoul
AK Plaza Bundang, 5F, 263 Seohyun-
dong, Bundang-gu Seongnam City,
Kyunggi-do
Hyundai Cheonho, 10 F, 455-8
Cheonho-dong Kangdong-gu Seoul
Shinsegae Yeongdeungpo, 6F, Building
B, 434-5 Yeongdeungpo-dong 4ga,
Yeongdeungpo-gu, Seoul
Shinsegae Incheon, 5F, 15 Gwangyo-
dong, Nam-gu, Incheon

MALAYSIA

SHOP-IN-SHOP

"LIVE IT UP!" Homestore, LG306,
One Utama Shopping Centre (New
Wing)
Isetan Departmental Store, 3rd floor
Kuala Lumpur City Centre
Robinsons Departmental Store, 2nd
floor
The Gardens Midvalley
Parkson Pavilion, 6th floor, Pavilion
Kuala Lumpur

NETHERLANDS

SHOP-IN-SHOP

DE BIJENKORF, Amsterdam
DE BIJENKORF, Arnhem
DE BIJENKORF, Den Haag
DE BIJENKORF, Eindhoven
DE BIJENKORF, Rotterdam
DE BIJENKORF, Utrecht

RUSSIA

SHOP-IN-SHOP

Bolshoy Gostiny Dvor, St. Petersburg
Studio Detali, Fortuna Grand, Irkutsk
Studio Detali, Irkutsk
Dom nemetskoy posudi, Magnitogorsk
Dom nemetskoy posudi, Gostiny Dvor,
Magnitogorsk
Dom nemetskoy posudi, Magnit,
Chelyabinsk
Dom nemetskoy posudi, Tyumen

SINGAPORE

SHOP-IN-SHOP

Tangs, Basement 1, Orchard Road
Tangs (Vivo), Level 2, Vivo City
Takashimaya, Basement 1, Orchard
Road
Robinson Centrepoint, Level 5, Orchard
Road
Robinsons Raffles City, Level 4, City
Hall
Isetan Scotts, Level 4, Orchard Road
Isetan Katong, Level 2, Marine Parade
Road
Isetan Nex Mall, Level 3, Serangoon

SPAIN

BODUM® OUTLET

Las Rozas Village - loc. 46
C/ Juan Ramón Jiménez, 3
28230 Las Rozas
Madrid
T +34 91 636 64 76
shop.madrid@bodum.com

SHOP-IN-SHOP

ISOLEE, Claudio Coello 55, Madrid
VINÇON, Passeig de Gràcia 96,
Barcelona
VINÇON, Castelló 18, Madrid

SWEDEN

BODUM® STORE

Helsingborg
Norra Storgatan 13-19
SE-25220 Helsingborg
T +46 42 13 80 80
shop.helsingborg@bodum.com

SWITZERLAND

BODUM® STORE

Weinmarkt 7
6004 Luzern
T +41 41 412 38 38
F +41 41 412 38 39
shop.luzern@bodum.com

BODUM® STORE

Metallicenter
Baarerstrasse 22
6300 Zug
T +41 41 711 48 79
F +41 41 711 48 80
shop.zug@bodum.com

BODUM® STORE

Limmatquai 72
8001 Zürich
T +41 44 253 17 15
F +41 44 253 17 18
shop.zurich@bodum.com

SHOP-IN-SHOP

GLOBUS: Basel, Luzern
HUBACHER AG: Rössliweg 43, 4852
Rothrist
LOEB AG: Spitalgasse 47-51, 3001 Bern
COOP CITY WARENHÄUSER: Baden,
Bern Ryfflihof, Kriens (Pilatusmarkt),
Lausanne Au Centre, Oerlikon,
Schaffhausen, Winterthur, Zürich St.
Annahof, Bellevue, Coop
CITY PFAUEN: Freie Strasse 75, 4002
Basel
MANOR: Aarau, Ascona, Baden, Basel,
Basel, St. Jakob, Biel, Chavannes, Chur,
Emmen, Fribourg, Genève, Lausanne,
Lugano, Luzern, Monthey, Pfäffikon
SZ, Rapperswil SG, Schönbühl, Sierre,
Sion, Schaffhausen, Solothurn,
Spreitenbach, Vevey, Winterthur,
Zürich Bahnhofstrasse, Zürich Letzipark

BODUM® SHOPS & SHOP-IN-SHOP**PARTNERS**

Globus
 Interio
 Loeb AG
 Pfister
 E&H Services, Industriestrasse 14
 4658 Däniken

**FACHHANDELS-PARTNER
WESTSCHWEIZ**

Boutique la Ballade,
 Centre commercial, Signy
 BUTIK für Küche und Wohnen,
 Neue Bahnhofstrasse 8,
 3110 Münsingen
 FMT Wohnmarkt Heimberg AG,
 Blümlisalpstrasse 40, 3627 Heimberg
 Kauer Trend Möbelmarkt AG,
 Längfeldstrasse 20, 2504 Biel
 Tekoe Tea Shop,
 Gare Lausanne, Bâle, Berne
 Tekoe, 1997 Haute-Nedaz
 La 3ème Main, 10, rue Verdaine,
 1204 Genève
 MIDI4DIM, Grand-rue 2, 1009 Pully
 Rondorouge, 46, rue Ancienne,
 1227 Carouge
 La Papille Gourmande, Grand Rue 16,
 1530 Payerne
 La Semeuse, 1, Allée des Paysans-
 Horlogers 2301 La-Chaux-de-Fonds
 Kaufmann Côté Ambiance, 18,
 rue Neveu 2302 La-Chaux-de-Fonds

DEUTSCHSCHWEIZ

Küche & Raum, Kramgasse 6,
 3011 Bern
 Füglistaller AG, Freie Strasse 109,
 4001 Basel
 Muff Haushalt, Hauptstrasse 80
 4550 Sissach
 Ambiente Haushaltwaren, Vordere
 Hauptgasse 104,
 4800 Zofingen
 Filiale Friedmattstrasse 24,
 6260 Reiden
 Filiale Unterer Graben 1,
 6210 Sursee
 Regalino, Marktgasse 28,
 4900 Langenthal
 L'arte del benessere, Rain 15,
 5000 Aarau
 Tee, Kafi und Gwürzegge, Alb.
 Zwysigstr. 88, 5430 Wettingen
 Karpf & Co. Sandgasse 5,
 5734 Reinach AG
 Filiale Zentralstrasse 4,
 5620 Bremgarten AG Filiale
 Zentralstrasse 2, 5610 Wohlen AG
 Grüter Süter, Hirschmattstrasse 8
 6002 Luzern
 Hunkeler Gastro AG, Grimselweg 5
 6002 Luzern
 Die Nische, Brünigstrasse 131,
 6060 Sarnen
 Eichholzer & Zumbrunnen,
 Via Veglia 3, 7500 St.Moritz
 Füglistaller AG, Werdmühlestrasse 4
 8001 Zürich
 Küche & Haushalt, Hottingerstrasse 37
 8032 Zürich
 Casa Fantastica, Airport-Shopping
 8058 Zürich Flughafen
 Hasler Haushalt, Stadthausstrasse 113
 8400 Winterthur
 S'Leue Lädeli, Ferrachstrasse 3 – 5,
 8630 Rüti
 Filiale Bahnhofwiese 3,
 8712 Stäfa
 Filiale im Zentrum 10,
 8634 Hombrechtikon
 Josef, Giger, Städtchen 11,
 8730 Uznach
 Landolt Kaffee, Kirchstrasse 9,
 8752 Näfels

Cucina Pero, Zugerstrasse 33,
 8820 Wädenswil
 Markus Kleger, Haushalt und
 Geschenke, Willerstr. 15,
 9230 Flawil
 Finnshop AG, In der Altstadt, 9500 Wil
 Filiale Neugasse 33,
 9000 St. Gallen
 Filiale Freiestrasse 8,
 8500 Frauenfeld

ONLINE SHOP SWITZERLAND

www.bodum.com

SHOP-IN-SHOP

8F, Sogo Department Store, Chung
 Hsiao
 8F, Shin Kong Mitsukoshi Department
 Store Taichung
 10F, Far East Department Store,
 Banciao

THAILAND**SHOP-IN-SHOP**

Isetan 5 Fl., Central world
 CDC (Crystal Design Center) B Building
 Emporium
 Siam Paragon
 Central Chidlom
 Robinson Changmai
 Central Pattaya
 Central Chaengwattana

UNITED KINGDOM**BODUM® OUTLET**

Unit 6A
 Pingle Drive
 Bicester Village
 Bicester
 Oxfordshire
 OX26 6WD
 T +44 1869 321 209
 F +44 1869 321 209
shop.bicester@bodum.com

ONLINE SHOP UK

www.bodum.com

USA**SHOP-IN-SHOP**

BED, BATH & BEYOND, 555 9th St, San
 Francisco, CA, 94103
 BED, BATH & BEYOND, 620 6th Ave,
 New York, NY, 10011
 BROADWAY PANHANDLER, 65 East 8th
 St., New York, NY, 10003
 KITCHEN COLLAGE, 430 E. Locust
 Street, Des Moines, IA , 50309
 KIM'S HOME CENTER, 2940 W Olympic
 Blvd., Los Angeles, CA 90006

ONLINE SHOP USA

www.bodumusa.com

BODUM® SALES OFFICES

AUSTRALIA

Bodum (Australia) Pty Ltd
Suite 39, 26-32 Pirrama Road
Pyrmont NSW 2009
Australia
T +61 2 9692 0582
F +61 2 9692 0586
office.australia@bodum.com

AUSTRIA

Peter BODUM® GmbH
Roseggerstrasse 35
DE 21079 Hamburg
T +49 4191 99830
F +49 4191 2969
office.austria@bodum.com

BENELUX

C/O BODUM® AG
Kantonsstrasse 100
Postfach 463
CH-6234 Triengen
T 0900 42 555 België/Belgique
T 0900 43 555 Luxemburg/Luxembourg
T 0900 263 86 65 Nederland
F +41 41 935 45 91
office.benelux@bodum.com

Agent Belgium/Luxembourg
Rombouts BVBA
Brialmontlei 10
BE-2018 Antwerpen
T +32 3 213 16 13
F +32 3 213 16 05
distribution.belux@bodum.com

Agent The Netherlands
Bonkers B.V.
Molenweg 19A
NL-3738 DC Maartensdijk
T +31 346 21 40 23
F +31 346 21 24 30
distribution.netherlands@bodum.com

CHINA

BODUM® Hong Kong Ltd
Shanghai Representative Office
Unit 15A04, Wang Jiao Plaza
No.175, Yan'An Road (E)
Shanghai 200002
T +86 21 6326 5870
F +86 21 6326 5873
office.china@bodum.com

Distribution China
BODUM® Hong Kong Ltd
Shanghai Representative Office
Unit 15A04, Wang Jiao Plaza
No.175, Yan'An Road (E)
Shanghai 200002
T +86 21 6326 5870
F +86 21 6326 5873
office.china@bodum.com

FRANCE

BODUM® France S.A.S
144, avenue Charles de Gaulle
FR-92200 Neuilly sur Seine
T 0821 230 060
F 0811 115 051
office.france@bodum.com

GERMANY

Peter BODUM® GmbH
Roseggerstrasse 35
DE 21079 Hamburg
T +49 4191 99830
F +49 4191 2969
office.germany@bodum.com

GREECE

Distribution Greece
YALCO
9, A Metaxa St. Kifissia
GR 145 64 Athens
T +30 210 629 99 66

HONG KONG

BODUM® Hong Kong Ltd
BODUM® Asia Ltd
Unit 2503, 25/F K. Wah Centre
191 Java Road, North Point
Hong Kong
T +852 25 43 45 55
F +852 25 43 33 23
office.hongkong@bodum.com

Distribution Hong Kong
Carsac Limited
1128, Block B, Sea View Estate
2-8 Watson Road, North Point
Hong Kong
T +852 2968 1088
F +852 2968 5048
distribution.hongkong@bodum.com

ITALY

C/O BODUM® AG
Kantonsstrasse 100
Postfach 463
CH-6234 Triengen
T 199 30 77 78
F 199 30 77 79
office.italy@bodum.com

JAPAN

BODUM® Japan Co., Ltd
3-25-12 Jingumae
Shibuya-ku
150-0001 Tokyo
T +81 3 5775 0681
F +81 3 5775 0701
office.japan@bodum.com

KOREA

Distribution Korea
Sun Woo Ind. Co., Ltd
465-070
#251-6 Hang-Dong
Hanam-City, Kyungki-Do
Korea
T +82 31 793 1172
F +82 31 793 1176
distribution.korea@bodum.com

NEW ZEALAND

Distribution New Zealand
Michael Joyce
19 Westmoreland Street West
Grey Lynn Auckland 1141
T +64 9 376 6667
F +64 9 378 1122
sales@michaeljoyce.co.nz

PORTUGAL

Bodum Portuguesa, Produção de Artigos
Metálicos, SA
Z.I. Tondela, Apartado 8
P3460-909 Tondela
Portugal
T +351 232819900
F +351 232819902
office.portugal@bodum.com

Agent Portugal
Luis Filipe Santos & Luzio, Lda
Avenida Estados Unidos da América
Nº2 - Loja 9
1700-174 Lisboa
T 21 848 43 08/10
F 21 848 43 09
distribution.portugal@bodum.com

RUSSIA

Distribution Russia
DOMOSTROY
Bely Kuna Ulitsa 32
192 236 Saint Petersburg
T +7 812 334 96 34

SCANDINAVIA

Denmark
BODUM® (SKANDINAVIEN) A/S
Humblebæk Strandvej 21
DK-3050 Humlebæk
T +45 49 14 80 00
F +45 49 18 18 44
office.denmark@bodum.com

NORWAY

T +47 66 91 04 72
F +47 22 51 36 36
Viderekople til Danmark

Agent Norway
Carl F. Mykkestad AS
Sandakerveien 76 F
N-0484 Oslo
T +47 22 09 12 40
F +47 22 09 12 41

SWEDEN

T +46 87 16 91 60
F +46 87 18 23 27
Kopplas vidara til Danmark

SINGAPORE

Distribution Singapore/
Indonesia/Malaysia
YEO TECK SENG (S) PTE. Ltd
59 Jalan Pemimpin
03-00 L&Y Building
Singapore 577218
T +65 6254 1511
F +65 6251 5415
distribution.singapore@bodum.com

SPAIN

C/O BODUM® AG
Kantonsstrasse 100
Postfach 463
CH-6234 Triengen
T 902 995 604
F 902 996 138
office.spain@bodum.com

Agent Spain
MIM S.I.
Avda Somosierra, 12-esc. dcha. 1ºB
ES-28700 San Sebastián de los Reyes (Madrid)
T +34 91 663 61 01
F +34 91 651 01 68
distribution.spain@bodum.com

SWITZERLAND

BODUM® (Schweiz) AG
Kantonsstrasse 100
Postfach 463
6234 Triengen
T +41 41 935 45 00
F +41 41 935 45 80
office.switzerland@bodum.com

TAIWAN

BODUM® Taiwan
7th Floor
5 Kwo Kang Road
205 Keelung City
T +886 2 24 58 38 48
F +886 2 24 58 38 36
distribution.taiwan@bodum.com

THAILAND

Distribution Thailand
CAC Pacific Ltd
89 Chalermprakiart Soi 34
Nongbon, Pravet
Bangkok 10250
Thailand
T +662 328 1984
F +662 328 1985
distribution.thailand@bodum.com

UNITED KINGDOM

BODUM® (UK) Ltd
Hill House
1 Little New Street
London
EC4A 3TR
T 0845 40 17778
office.uk@bodum.com

USA (CANADA, SOUTH AMERICA)

BODUM® USA, Inc.
601 West 26th St.
Suite 1250
New York, NY 10001
T +1 212 367 8844
F +1 212 367 8855
info@bodumusa.com

Proof of purchase
Firmenstempel
Cachet du revendeur
Firmastempel
Sello de la empresa
Timbro del rivenditore
Stempel van de zaak
Firmastämpel
Carimbo da empresa

Date
Datum
Date
Dato
Fecha
Data
Datum
Datum
Data

11344 FYRKAT


www.bodum.com

Free Manuals Download Website

<http://myh66.com>

<http://usermanuals.us>

<http://www.somanuals.com>

<http://www.4manuals.cc>

<http://www.manual-lib.com>

<http://www.404manual.com>

<http://www.luxmanual.com>

<http://aubethermostatmanual.com>

Golf course search by state

<http://golfingnear.com>

Email search by domain

<http://emailbydomain.com>

Auto manuals search

<http://auto.somanuals.com>

TV manuals search

<http://tv.somanuals.com>