

FYRKAT

PICNIC GAS GRILL
PICKNICK GAS-GRILL
BARBECUE PIQUE-NIQUE À GAZ
PICNIC GAS GRILL
BARBACOA A GAS PORTÁTIL
BARBECUE A GAS PER PICNIC
DRAAGBARE GASBARBECUE
PICKNICK GASOLGRILL
GRELHADOR PICNIC A GÁS
PIKNIKKAASUGRILLI
ГАЗОВЫЙ ГРИЛЬ ДЛЯ ПИКНИКА

Instruction for use
ENGLISH

Gebrauchsanweisung
DEUTSCH

Mode d'emploi
FRANÇAIS

Brugsanvisning
DANSK

Instrucciones de uso
ESPAÑOL

Istruzioni per l'uso
ITALIANO

Gebruiksaanwijzing
NEDERLANDS

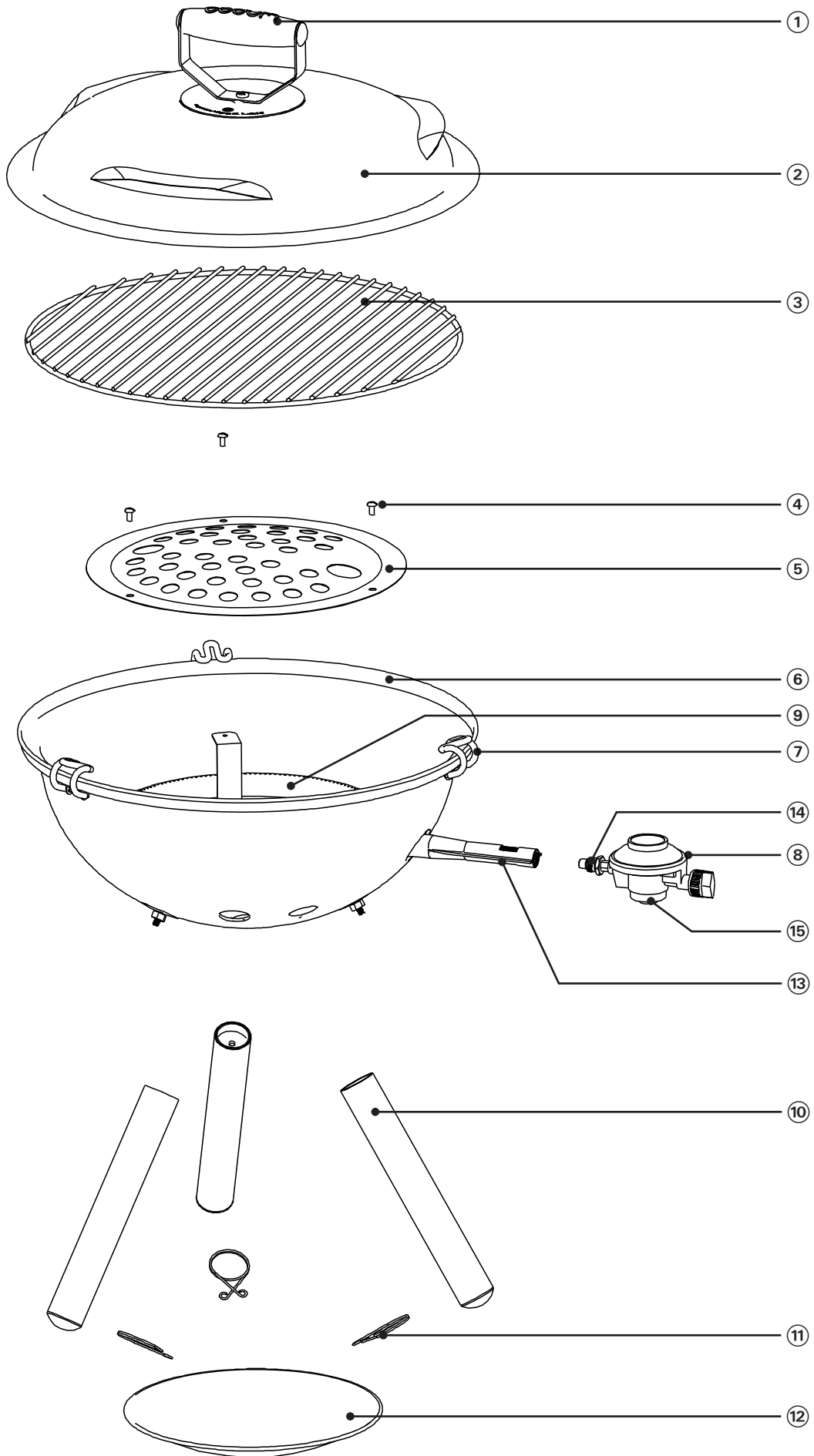
Bruksanvisning
SVENSKA

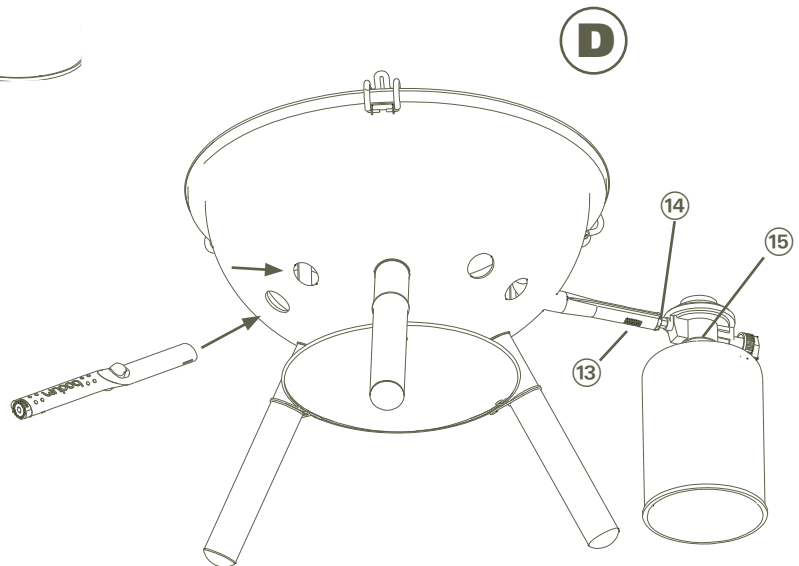
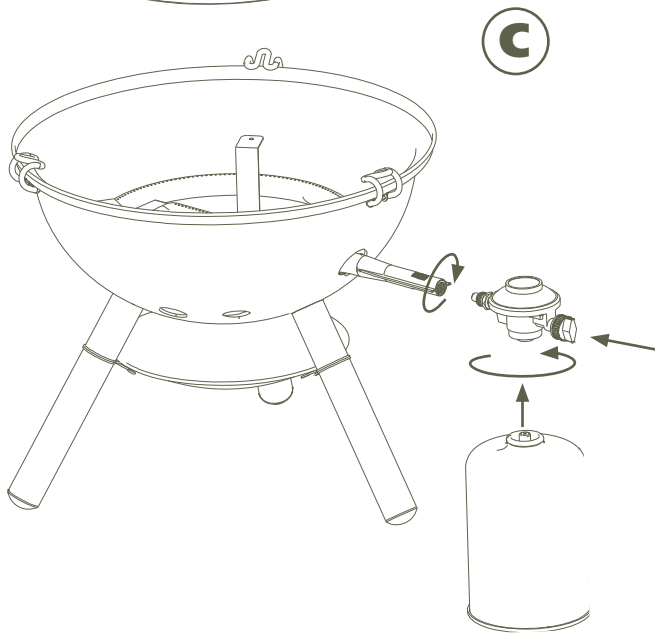
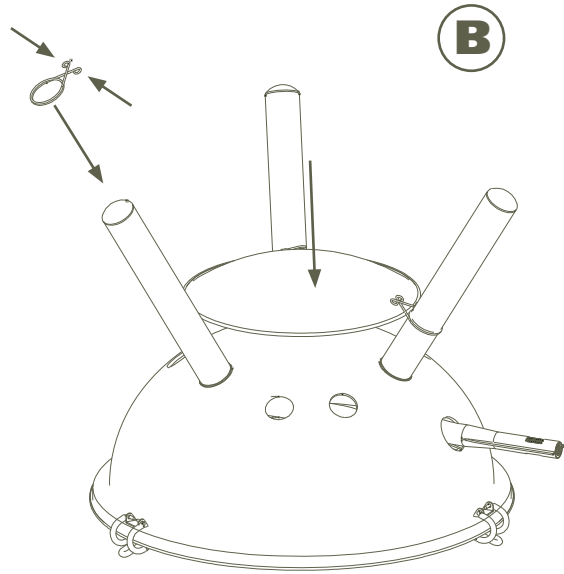
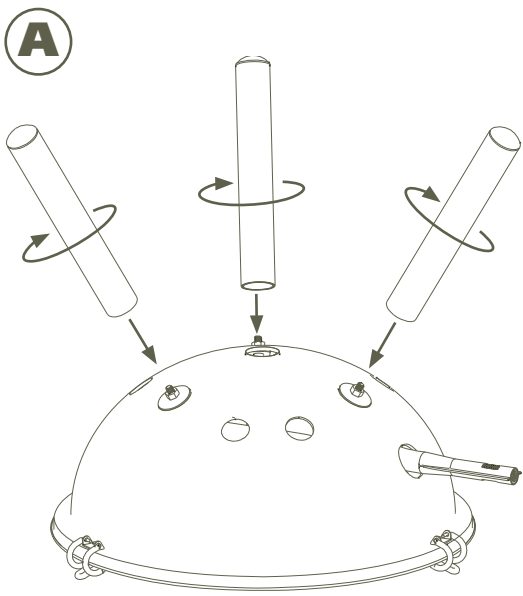
Manual de Instruções
PORTUGUÊS

Käyttöohje
SUOMI

Руководство по эксплуатации
РУССКИЙ







A very warm welcome outside!

What do we associate more with spring and summer than eating outside? And what is more perfect than the pleasure of a really first-class barbecue? Whatever you like best – a hearty steak, a juicy sausage or grilled veggies – with the BODUM® Picnic Gas BBQ «FYRKAT» you have made the right choice for a sociable summer. A barbecue is probably the only culinary event at which the proverb «Too many cooks spoil the broth» does not apply: When barbecuing, many cooks are at work. If you are not too easily seduced by rich sauces, barbecued food is not only extremely tasty but also healthy and light, especially if you use lean meat, fish and vegetables.

We wish you bon appétit!

All we would like to do now is to ask you to read these instructions carefully as they contain important safety and hazard warnings as well as useful barbecuing tips, and – of course – to wish you a wonderful summer.

With best wishes from the BODUM® Design Team

ASSEMBLY INSTRUCTIONS

GRILL SET UP

- 1 Handle
- 2 Lid
- 3 Grilling grate
- 4 M4 screw (3 units)
- 5 Flame tamer
- 6 Grilling bowl
- 7 Locking clip
- 8 Regulator
- 9 Burner
- 10 Support leg (3 units)
- 11 Grease tray fastening (3 units)
- 12 Grease tray
- 13 Air opening
- 14 Connection between burner & regulator
- 15 Connection between gas canister & regulator

FIGURE A

Place the grilling bowl (6) carefully upside down on a level surface and attach each of the three support legs (10) to the grilling bowl (6). Use a pre-fitted M6 screw for each support leg and screw in the support leg (10) until securely fastened. Tighten all of the grill screws, so that all parts are secure.

FIGURE B

Place the grease tray (12) upside down in the centre of the three support legs (10). Fit the three grease tray fastenings (11) onto the support legs (10). The grease tray fastenings (11) can be slid over the support legs (10) with ease by pressing the two eyelets together. The grease tray (12) is now clamped in place by the support leg (10) and the grease tray fastening (11). Ensure that the grease tray (12) is positioned at a distance of approx. 6 cm from the grilling bowl (6).

FIGURE C

After attaching the support legs (10) & grease tray (12) to your BODUM® Picnic Gas BBQ, position the BBQ grill on a firm, level surface. Place the flame tamer (5) on the three support plates intended for this purpose, and mount these on the stays using the M4 screws (4) provided. Tighten all of the grill screws sufficiently, so that the flame tamer (5) is secure.

Mount the regulator (8) on the burner (9) with the M6 nut. Tighten the nut of the regulator (8) sufficiently, so that the regulator (8) is secure on the burner (9).

Once assembly is complete, place the grilling grate (4) on the grilling bowl (6).

In order to transport your BODUM® Picnic Gas BBQ, place the lid (3) on the grilling bowl (6) and clamp it firmly in place using the three locking clips (7). Carry the BBQ by the handle (1). The BBQ must never be transported whilst hot. Always leave it to cool off completely. Always switch the regulator (8) to OFF prior to transportation.

HAZARDS & SAFETY INFORMATION

Failure to observe these safety instructions and precautions can result in serious damage and injury or even death.

- Do not use the grill indoors! The BODUM® Picnic Gas BBQ is designed for outdoor use only. Toxic gases can form if used inside.
- Place your BODUM® Picnic Gas BBQ on a secure base before using it. The gas grill must never be positioned on an incline or tilted!
- Warning! Never use spirit, petrol or similar liquids to light or relight! Only use firelighters complying with EN1860-3!
- Children and pets are not allowed to stay unattended near a hot grill.
- Grill and flammable materials should be kept at least 1.5 m away from each other.
- Do not place the grill on a flammable surface or on glass.
- Never store any spare or open gas canisters underneath or in close proximity to the grill.
- Incorrect assembly can result in danger. Always keep the assembly instructions provided in these instructions close at hand.
- After the picnic gas BBQ has been in storage or out of use for an extended period always check for gas leaks and blockages of the burner (9) prior to use. You can find the instructions for this under "Checking for a gas leak"
- Do not wear clothes with long, wide sleeves when you are grilling.
- If the flame at the burner (9) should extinguish during use, switch the regulator (8) to OFF and open the lid.
- Never use charcoal, briquettes or lava stones in your picnic gas BBQ.
- If fat starts to burn, switch the regulator (8) to OFF and wait until the fire has extinguished.
- To move the grill, lift it by the handle (1) and position it at the desired location. Never try to move the grill when it is hot! Wait until the grill has cooled down before moving or lifting it.
- The BODUM® Picnic Gas BBQ must not be used as a heater.
- The BODUM® Picnic Gas BBQ is not intended for installation or use in caravans, campers or on boats.
- When cleaning the regulator (8) or the burner (9) ensure that the nozzles and connections are not damaged.
- Butane/propane are not crude gas. Any modification of the grill for use with crude gas and any attempt to use this butane/propane grill with crude gas is dangerous and will result in the warranty being voided.
- A dented or rusty gas canister can be hazardous and should be checked by your gas supplier. Never use gas canisters with a damaged valve.
- Gas may still be present inside gas canisters that appear completely empty. Gas canisters are to be transported and stored with this in mind.
- Never, under any circumstances, attempt to detach the regulator (8) or any other parts of the gas line when using the grill.
- When grilling always remove the lid to the side - never lift up and off - otherwise suction may be generated.
- Only use the regulator (8) supplied together with the picnic gas BBQ.
- Do not grill when it is windy.
- Outdoor use only.
- **CAUTION:** The gas canister must never be used above head height.
- Use disposable butane/propane canisters with a minimum full weight of 430 g and a maximum full weight of 460 g. The canisters must be fitted with a valve with thread complying with EN417.
- Never search for a gas leak with the aid of a naked flame. Prior to hunting for a leak, ensure that no sparks or naked flames are close by. Sparks and flames may trigger an explosion, which could cause severe or even fatal injuries and lead to material damage.
- Only tighten the canister connection by hand. The use of excessive force could damage the regulator connection and the canister valve.
This may in turn lead to a leak or prevent gas from flowing.
- Remove the lid when lighting and keep the grill uncovered as it starts to burn.
- Never touch the grill or grate to determine whether it is hot.
- Always wear barbecuing mitts or use an oven cloth when grilling in order to protect your hands.
- Use grill utensils with long, heat-resistant handles.
- Please keep electric cables away from hot surfaces.
- Do not line your grill with aluminum foil as this can hinder the flow of air.
- Do not use sharp objects and abrasive cleaners to clean the grilling grate and grill as these may damage the surface.

USEFUL TIPS

- When igniting the gas grill use the BISTRO lighter from Bodum. Never ignite the grill from the top but instead only through the ventilation holes or the ignition holes as shown in Figure D.
- Use a spatula (BODUM® FYRKAT barbecue spatula) or tongs ((BODUM® FYRKAT barbecue nipper) to turn the barbecue food. Avoid using sharp objects to pierce the meat as this can cause meat juices and flavor to escape.
- Ideally, turn the barbecue food once only. Follow the tips in your recipe.

GAS CONNECTION

- Use disposable butane/propane canisters with a minimum full weight of 430 g and a maximum full weight of 460 g. The canisters must be fitted with a valve with thread complying with EN417.

CAUTION: Only use gas canisters labeled to indicate that they contain a propane/butane mix.

- Push the disposable liquid gas canister into the regulator and turn the canister in a clockwise direction as shown in Figure C, until it is firmly seated.

NOTE: Only tighten the canister connection by hand. The application of excessive force could lead to the regulator (8) and the valve on the canister being damaged. This may in turn lead to a leak or prevent gas from flowing.

CHECKING FOR A GAS LEAK:

YOU NEED THE FOLLOWING:

Disposable liquid gas canister, soap solution and a cloth or brush to apply the solution.

It is necessary to check the following connections for a gas leak. The connection between the burner and regulator (14) and the connection between the gas canister and regulator (15) **FIGURE D**.

- 1) Attach the gas canister at the regulator (8) as shown in **FIGURE C**.
- 2) Mix soap with water.
- 3) Moisten the connections listed above with the soap solution.
- 4) Turn the gas regulator in a counter clockwise direction, to ON.
- 5) Check for any leaks. If bubbles form or if a bubble starts to become larger, a leak is present. If a leak is present, turn the regulator (8) to OFF and tighten the canister connection more firmly. Turn the regulator (8) back to ON and check once again using the soap solution. If a leak is still present then turn the regulator (8) to OFF again and remove the gas canister. Try with a second gas canister. If the leak is still present then contact your dealer. **DO NOT USE THE BARBECUE.**
- 6) Switch the regulator (8) to OFF once the leak test is complete, and clean the connection between the burner and regulator (14) and the connection between the gas canister and regulator (15) using a damp cloth. **FIGURE D**

MANUAL IGNITION

- 1) Always open the lid prior to ignition. The gas BBQ must never be ignited whilst the lid is closed.
- 2) Check that the regulator (8) is in the OFF position.
- 3) When igniting the grill use the BISTRO lighter from Bodum. Ignite the lighter and hold the flame in one of the two ignition openings beneath the burner as shown in Figure D.

NOTE: Do not bend over the open grill. Keep your face and body a minimum 30 cm away from the ignition opening whilst igniting the grill.

- 4) Turn the regulator (8) for the burner (9) into the ON position.
- 5) Check that the burner (9) is on by looking through the grilling grate. A blue flame must be visible.

CAUTION: If you do not open the lid during the ignition process, or fail to adhere to the 5 minute waiting time to allow the gases to dissipate in case the grill does not light, there is a risk that an explosive burst of flames may form, which can cause severe physical or even fatal injuries.

CLEANING

- 1) The reductor must be switched to the OFF position and the picnic gas grill must be cold.
- 2) Open the lid (2).
- 3) Remove the grilling grate (3).
- 4) Unscrew the three M4 screws (4) on the flame reflector (5). Remove the M4 screws (4) and the flame reflector (5).
- 5) Remove any remaining food from the grilling bowl (6) and clean the grilling bowl (6) and the flame reflector (5) using a mild detergent and water.
- 6) The grilling grate does not need to be cleaned after each use. Just loosen any left-over food with a brass wire brush or crumpled up aluminum foil and then wipe clean with kitchen paper.
- 7) Attach the flame reflector (5) after cleaning in accordance with the «ASSEMBLY INSTRUCTIONS»

STORAGE

- If the picnic gas BBQ is not in use it is essential that the gas canister be stored in a well-ventilated place, outdoors.
- The gas grill must be checked for gas leaks and blockages of the burner (9) prior to use.
- Check the air openings (13) for damage. **FIGURE D**

GRILLING TIPS

Please read all instructions carefully before you start to grill. The lid is an important part of the BODUM® Picnic Gas BBQ and should be kept closed at all times when barbecuing foods. You save up to one third of cooking time compared with a conventional oven, because hot air is constantly flowing around the food during grilling. The barbecued food must be turned once, halfway through grilling.

HERE ARE THE REASONS FOR GRILLING WITH A CLOSED LID:

- No flames flaring: When the lid is closed flames cannot flare up.
- Fast barbecuing: The BODUM® Picnic Gas BBQ is optimally designed for heat retention. The heat is reflected by all surfaces (above all by the lid) back onto the barbecue food, so that the grilling time is considerably reduced.

YOU CAN EXTEND THE USEFUL LIFE OF YOUR BODUM® PICNIC GAS BBQ BY SEVERAL YEARS IF YOU CLEAN IT THOROUGHLY ONCE EACH YEAR. JUST FOLLOW THESE SIMPLE STEPS:

- Ensure that the grill has cooled down.
- Ensure that the regulator (8) is switched to OFF.
- Remove the grilling grate.
- Wipe out the grilling bowl (6) with a cloth. All BBQ remnants can be wiped into the grease tray (12).
- Remove the BBQ remnants and grease from the grease tray.
- Wipe the outside of the grill using a damp cloth.
- The grilling grate does not need to be cleaned every time it is used. Just loosen any left-over food with a brass wire brush or with crumpled up aluminum foil and then wipe clean with kitchen paper.

TECHNICAL DATA

Rated output	2.9 kW (210 g/h)
Gastype	Butane/Propane
Approval marks	CE



Ganz herzlich willkommen im Freien!

Was verbinden wir mehr mit Frühling und Sommer, als draussen zu essen? Und was macht das Vergnügen perfekter als ein richtig erstklassiges Barbecue? Was immer Sie am liebsten mögen – ein herzhaftes Steak, eine knusprige Wurst oder gar gegrilltes Gemüse –, mit dem BODUM® Picknick Gas-Grill «FYRKAT» haben Sie die richtige Wahl getroffen, um Ihren Sommer so richtig gesellig zu machen. Ein Barbecue ist wohl der einzige kulinarische Anlass, bei dem das Sprichwort «Zu viele Köche verderben den Brei» nicht zutrifft: Hier kochen viele Chefs. Wenn Sie sich von reichhaltigen Saucen nicht zu stark verführen lassen, ist Gegrilltes nicht nur äusserst schmackhaft, sondern auch noch gesund und leicht, vor allem, wenn es sich um fettarmes Fleisch, Fisch und Gemüse handelt.

Guten Appetit wünschen wir Ihnen!

Nun bleibt uns nur noch, Sie darum zu bitten, diese Gebrauchsanweisung mit wichtigen Sicherheits- und Gefahrenhinweisen sowie wertvollen Grilltipps ganz genau durchzulesen und – natürlich – Ihnen einen wunderschönen Sommer zu wünschen.

Ihr BODUM® Design-Team

MONTAGEANWEISUNG

GRILL AUFBAU

- 1 Griff
- 2 Deckel
- 3 Grillrost
- 4 Schraube M4 (3 Stk.)
- 5 Flammenreflektor
- 6 Grillkessel
- 7 Arretierbügel
- 8 Regler
- 9 Brenner
- 10 Standbein (3 Stk.)
- 11 Tropfschalenbefestigung (3 Stk.)
- 12 Tropfschale
- 13 Luftöffnung
- 14 Verbindung zwischen Brenner & Regler
- 15 Verbindung zwischen Gaskartusche & Regler

ABBILDUNG A

Stellen Sie den Grillkessel (6) vorsichtig kopfüber auf eine ebene Unterlage und montieren Sie nacheinander die drei Standbeine (10) am Grillkessel (6). Verwenden Sie pro Standbein jeweils eine bereits vormontierte Schraube M6 und schrauben Sie das Standbein (10) fest. Ziehen Sie sämtliche Schrauben des Grills ausreichend nach, damit alle Teile fest sitzen.

ABBILDUNG B

Legen Sie die Tropfschale (12) kopfüber in die Mitte der drei Standbeine (10). Montieren Sie die drei Tropfschalenbefestigungen (11) an dem jeweiligen Standbein (10). Die Tropfschalenbefestigungen (11) können durch zusammendrücken der zwei Ösen einfach über die Standbeine (10) geschoben werden. Die Tropfschale (12) wird nun vom Standbein (10) und der Tropfschalenbefestigung (11) eingeklemmt. Prüfen Sie ob die Tropfschale (12) in einem Abstand von ca. 6 cm zum Grillkessel (6) platziert ist.

ABBILDUNG C

Stellen Sie Ihren BODUM® Picknick Gas-Grill nach Montage der Standbeine (10) & Tropfschale (12) auf einen sicheren Untergrund. Legen Sie den Flammenreflektor (5) auf die drei dafür vorgesehenen Blechstützen und montieren Sie diesen mit den mitgelieferten Schrauben M4 (4) an den Stützen. Ziehen Sie sämtliche Schrauben ausreichend nach, damit der Flammenreflektor (5) fest sitzt.

Montieren Sie den mitgelieferten Regler (9) mit Hilfe der 6-Kant Mutter am Brenner (10). Ziehen Sie die Mutter ausreichend nach, damit der Regler (9) fest am Brenner (10) sitzt.

Nach der Montage legen Sie den Grillrost (3) auf den Grillkessel (6).

Zum Transportieren Ihres BODUM® Picknick Gas-Grills legen Sie den Deckel (3) auf den Grillkessel (6) und klemmen Sie ihn mit den drei Arretierbügeln (7) fest. Tragen Sie den Grill, indem Sie ihn am Griff (1) halten. Der Grill darf nie in heissem Zustand transportiert werden, lassen Sie ihn immer vollständig abkühlen. Schalten Sie den Regler (8) beim Transportieren immer auf OFF.

GEFAHRENHINWEIS & SICHERHEITSHINWEIS

Die Nichtbeachtung dieser Sicherheitshinweise und Vorsichtsmassnahmen kann zu Schäden, ernsthaften Verletzungen bis hin zum Tode führen.

- Nicht in geschlossenen Räumen verwenden! Der BODUM® Picknick Gas-Grill ist nur für den Gebrauch im Freien entwickelt. In Räumen können sich giftige Gase entwickeln.
- Stellen Sie Ihren BODUM® Picknick Gas-Grill vor Inbetriebnahme auf einen sicheren Untergrund. Der Gas- Grill darf nie gekippt oder schräg gestellt werden!
- Achtung! Keinen Spiritus, kein Benzin oder vergleichbare Flüssigkeiten zum Anzünden oder Wiederanzünden verwenden! Verwenden Sie nur Feueranzünder gemäss EN1860-3!
- Kinder und Haustiere dürfen sich nicht unbeaufsichtigt in der Nähe eines heissen Grills aufhalten.
- Grill und brennbares Material sollten mindestens 1,5 m voneinander entfernt sein.
- Stellen Sie den Grill nicht auf Glas oder eine brennbare Fläche.
- Lagern Sie keine Reserve- oder nicht angeschlossene Gaskartuschen unter oder in der Nähe des Grills.
- Eine unsachgemäße Montage kann Gefahren verursachen. Halten Sie die Montageanleitungen in dieser Bedienungsanleitung unbedingt ein.
- Prüfen Sie nach längerer Lagerung oder längerem Nichtgebrauch den Picknick Gas-Grill vor Gebrauch auf Gaslecks und auf Verstopfung des Brenners (9). Die korrekte Anleitung dazu finden Sie unter "Überprüfen auf Gasleck"
- Bitte tragen Sie zum Grillen keine Kleider mit weiten, langen Ärmeln.
- Sollte die Flamme am Brenner (9) während des Betriebs erlöschen, schalten Sie den Regler (8) auf OFF und öffnen Sie den Deckel
- Verwenden Sie keine Holzkohle, Briketts oder Lavasteine in Ihrem Picknick Gas- Grill.
- Falls Fette anfangen zu brennen, schalten Sie den Regler (8) auf OFF und warten Sie bis das Feuer erloschen ist.
- Um den Grill zu verschieben, heben Sie ihn am Griff (1) an und platzieren ihn an der gewünschten Stelle. Verschieben Sie den Grill nie in heissem Zustand! Warten Sie, bis der Grill abgekühlt ist, bevor Sie den Grill verschieben oder anheben.
- Der BODUM® Picknick Gas-Grill darf nicht als Heizung verwendet werden.
- Der BODUM® Picknick Gas-Grill ist nicht für die Montage oder Verwendung in Caravans, Campingwagen oder auf Booten vorgesehen.
- Achten Sie beim Reinigen des Reglers (8) oder des Brenners (9) dass die Düsen und Anschlüsse nicht beschädigt werden.
- Butan/Propan ist kein Erdgas. Der Umbau des Grills auf Erdgas und der Versuch, Erdgas mit diesem Butan-/Propan-Grill zu nutzen, sind gefährlich und führen zum Verlust der Garantie.
- Eine verbeulte oder rostige Gaskartusche kann Gefahren verursachen und sollte von Ihrem Gaslieferanten geprüft werden. Verwenden Sie keine Gaskartuschen mit beschädigtem Ventil.
- Auch in einer scheinbar leeren Gaskartusche kann noch Gas enthalten sein. Die Gaskartuschen sind entsprechend zu transportieren und zu lagern.
- Versuchen Sie unter keinen Umständen, während des Gebrauchs des Grills den Regler (8) oder sonstige Teile der Gasleitung zu demontieren.
- Nehmen Sie beim Grillen den Deckel immer seitlich – nicht nach oben – weg, da sonst ein Sog entstehen kann.
- Verwenden Sie ausschliesslich den mit dem Picknick Gas-Grill gelieferten Regler (8).
- Grillen Sie nicht bei starkem Wind.
- Den Grill nur im Freien verwenden.
- **VORSICHT:** Die Gaskartusche darf nie kopfüber benutzt werden.
- Verwenden Sie Butan-/Propan-Einwegkartuschen mit einem Mindestfüllgewicht von 430 g und einem maximalen Füllgewicht von 460 g. Die Kartusche muss über ein Ventil mit Schraubgewinde gemäss EN417 verfügen.
- Suchen Sie nicht mit Hilfe einer offenen Flamme nach Gaslecks. Stellen Sie vor der Überprüfung auf Lecks sicher, dass sich keine Funken oder offene Flammen in der Nähe befinden. Funken oder Flammen können eine Explosion auslösen, die zu schweren oder gar tödlichen Verletzungen und zu Sachschäden führen kann.
- Ziehen Sie die Kartusche nur handfest an. Durch übermäßige Kraftaufwendung können der Regleranschluss und das Kartuschenventil beschädigt werden. Dadurch kann ein Leck entstehen oder kein Gas ausströmen.
- Nehmen Sie beim Anzünden und während der ersten Brennphase den Deckel ab.
- Berühren Sie weder den Grill noch den Rost, um festzustellen, ob sie heiss sind.
- Tragen Sie beim Grillen zum Schutz Ihrer Hände stets Grillhandschuhe oder nehmen Sie dazu Topflappen.
- Verwenden Sie ein Grillbesteck mit langen, hitzebeständigen Griffen.
- Bitte halten Sie Elektrokabel von heissen Flächen fern.
- Legen Sie Ihren Grill nicht mit Aluminiumfolie aus, da dadurch der Luftstrom behindert werden kann.
- Verwenden Sie zum Reinigen des Grillrosts und des Grills keine scharfen Gegenstände und Scheuermittel, da diese die Oberfläche beschädigen.

NÜTZLICHE HINWEISE

- Zum Anzünden des Gas-Grills benutzen Sie den BISTRO Anzünder von Bodum. Zünden Sie den Grill niemals von der oberen Seite an sondern nur durch die Lüftungslöcher beziehungsweise Zündöffnungen gemäss **ABBILDUNG D**.
- Verwenden Sie einen Bratenheber (BODUM® FYRKAT Grillschaufel) oder eine Grillzange (BODUM® FYRKAT Grillzange), um das Grillgut zu wenden. Vermeiden Sie, mit spitzen Gegenständen ins Fleisch zu stechen, da sonst Bratensaft und Aroma entweichen.
- Drehen Sie das Grillgut nach Möglichkeit nur einmal um. Befolgen Sie hierzu die Tipps Ihres Rezepts.

GASANSCHLUSS

- Verwenden Sie Butan-/Propan-Einwegkartuschen mit einem Mindestfüllgewicht von 430 g und einem maximalen Füllgewicht von 460 g. Die Kartusche muss über ein Ventil mit Schraubgewinde gemäss EN417 verfügen.

VORSICHT: Verwenden Sie nur Gaskartuschen mit der Kennzeichnung für Butan/Propan-Gemisch.

- Drücken Sie die Flüssiggas-Einwegkartusche in den Regler und drehen Sie die Kartusche gemäss **ABBILDUNG C** im Uhrzeigersinn, bis sie fest sitzt.

HINWEIS: Ziehen Sie die Kartusche nur handfest an. Durch übermäßige Kraftaufwendung kann der Regler (8) und das Ventil an der Kartusche beschädigt werden. Dadurch kann ein Leck entstehen oder kein Gas ausströmen.

ÜBERPRÜFEN AUF GASLECKS:

SIE BENÖTIGEN FOLGENDES:

Flüssiggas-Einwegkartusche, eine Seifenlösung und einen Lappen oder eine Bürste zum Auftragen der Lösung.

Folgende Verbindungen müssen auf Gaslecks überprüft werden. Die Verbindung zwischen Brenner & Regler (14) & die Verbindung zwischen Gaskartusche & Regler (15) **ABBILDUNG D**.

- 1) Montieren Sie die Gaskartusche am Regler (8) gemäss **ABBILDUNG C**.
 - 2) Mischen Sie Seife in das Wasser.
 - 3) Befeuchten Sie dazu die oben aufgeführten Verbindungen mit der Seifenlösung
 - 4) Drehen Sie den Gasregler entgegen dem Uhrzeigersinn auf ON.
 - 5) Überprüfen Sie auf Lecks. Wenn sich Blasen bilden oder wenn eine Blase größer wird, ist ein Leck vorhanden. Falls ein Leck vorhanden ist, drehen Sie den Regler (8) auf OFF und ziehen Sie die Kartusche etwas fest. Drehen Sie den Regler (8) wieder auf ON und prüfen Sie mit der Seifenlösung erneut. Ist noch immer ein Leck vorhanden, drehen Sie den Regler (8) erneut auf OFF und entfernen Sie die Gaskartusche. Probieren Sie eine zweite Kartusche. Falls das Leck weiterhin vorhanden ist und wenden Sie sich an den für Sie zuständigen Händler.
- BETREIBEN SIE DEN GRILL NICHT.**
- 6) Schalten Sie nach Beendigung der Lecktests den Regler (8) auf OFF und reinigen Sie die Verbindung zwischen Brenner & Regler (14) und die Verbindung zwischen Gaskartusche & Regler (15) Verbindungen mit einem feuchten Lappen **ABBILDUNG D**.

MANUELLES ZÜNDEN

- 1) Öffnen Sie den Deckel immer vor dem Anzünden. Der Gas-Grill darf nie mit geschlossenem Deckel angezündet werden.
- 2) Prüfen Sie, dass sich der Reglerknopf in der Position OFF befindet.
- 3) Zum Anzünden des Grills verwenden Sie den BISTRO Anzünder von Bodum. Zünden Sie diesen und halten Sie die Flamme in eine der zwei Zündungsöffnung unter dem Brenner gemäss **ABBILDUNG D**.

HINWEIS: Beugen Sie sich nicht über den offenen Grill. Halten Sie mit Ihrem Gesicht und Ihrem Körper einen Mindestabstand von 30 cm zur Zündungsöffnung ein, wenn Sie den Grill anzünden.

- 4) Drehen Sie den Regler (8) für den Brenner (9) in die ON- Position
- 5) Prüfen Sie, dass der Brenner (9) an ist, indem Sie durch den Grillrost schauen. Es muss eine blaue Flamme erkennbar sein.

VORSICHT: Wenn Sie den Deckel während des Zündens des Brenners nicht öffnen, oder die Wartezeit von 5 Minuten nicht einhalten, um das Gas entweichen zu lassen, falls der Grill nicht brennt, kann eine explosive Stichflamme entstehen, die ernsthafte Körperverletzungen oder tödliche Unfälle verursachen kann.

REINIGUNG

- 1) Der Regler muss in der OFF Position stehen und der Picknick Gas-Grill muss kalt sein.
- 2) Öffnen Sie den Deckel (2).
- 3) Nehmen Sie den Grillrost (3) heraus.
- 4) Lösen Sie die drei M4 Schrauben (4) am Flammenreflektor (5). Nehmen Sie die M4 Schrauben (4) und den Flammenreflektor (5) heraus.
- 5) Entfernen Sie die Speisereste aus dem Grillkessel (6) und reinigen Sie den Grillkessel (6) und den Flammenreflektor (5) mit einem milden Reinigungsmittel und Wasser.
- 6) Der Grillrost braucht nicht nach jedem Grillen gereinigt zu werden. Einfach die Reste mit einer Messingdrahtbürste oder zusammengeknüllter Aluminiumfolie lösen und dann mit Küchenkrepp abwischen.
- 7) Montieren Sie den Flammenreflektor (5) nach der Reinigung gemäss «MONTAGEANWEISUNG»

AUFBEWAHRUNG

- Wird der Picknick Gas-Grill nicht benutzt, müssen Sie die Gaskartusche an einem gut belüfteten Ort im Freien lagern.
- Der Gas-Grill muss vor der Nutzung auf Gaslecks und Verstopfungen in den Brenner (9) geprüft werden.
- Prüfen Sie auch die Luftöffnungen (13) auf Beschädigungen **ABBILDUNG D**.

GRILLTIPPS

Bitte lesen Sie vor dem Grillen alle Anweisungen genau durch. Der Deckel ist ein wichtiger Bestandteil des BODUM® Picknick Gas-Grills und sollte beim Grillen aller Speisen stets geschlossen werden. Im Vergleich zu einem herkömmlichen Herd sparen Sie bis zu einem Drittel der Zeit, da die heisse Luft das Grillgut während des Grillens ständig umströmt. Das Grillgut wird einmal nach der Hälfte der Grillzeit gewendet.

HIER DIE GRÜNDE FÜR DAS GRILLEN MIT GESCHLOSSEM DECKEL:

- Kein Aufflammen: Bei geschlossenem Deckel können keine Flammen hochschlagen.
- Schnelles Grillen: Die BODUM® Picknick Gas-Grills sind für optimale Wärmerückhaltung ausgelegt. Die Wärme wird von allen Oberflächen (vor allem dem Deckel) auf das Grillgut reflektiert, sodass sich die Grillzeit wesentlich verkürzt.

SIE KÖNNEN DIE LEBENSDAUER IHRES BODUM® PICKNICK GAS-GRILLS UM JAHRE VERLÄNGERN, WENN SIE IHN EINMAL PRO JAHR GRÜNDLICH REINIGEN. HIER DIE EINFACHEN SCHRITTE:

- Sicherstellen, dass der Grill abgekühlt ist.
- Der Regler (8) auf OFF steht
- Grillrost herausnehmen.
- Den Grillkessel (6) mit einem Tuch auswischen. Alle Grillreste können in die Tropfschale (12) gewischt werden.
- Die Grillreste und das Bratfett aus der Tropfschale entfernen.
- Den Grill mit einem feuchten Tuch Aussen abwischen.
- Der Grillrost braucht nicht nach jedem Grillen gereinigt zu werden. Einfach die Reste mit einer Messingdrahtbürste oder mit zusammengeknüllter Aluminiumfolie lösen und dann mit Küchenkrepp abwischen.

TECHNICAL DATA

Nennleistung	2,9 kW (210 g/h)
Gas	Butan/Propan
Prüfzeichen	CE



Un moment très chaleureux en plein air !

Lorsque reviennent le printemps et l'été, qu'y a-t-il de mieux que de manger à l'extérieur ? Et qu'y a-t-il de plus agréable que de profiter des plaisirs d'un véritable barbecue haut de gamme ? Un bon steak, une saucisse juteuse ou des légumes grillés... Quel que soit le plat que vous préférez, avec le barbecue pique-nique à gaz « FYRKAT » de BODUM®, vous avez fait le bon choix pour un été placé sous le signe de la convivialité. Un barbecue est certainement le seul outil culinaire pour lequel le proverbe « on n'arrive à rien quand tout le monde s'en mêle » ne s'applique pas : lorsque l'on cuisine au barbecue, il peut y avoir plusieurs personnes aux fourneaux. Et si vous n'êtes pas un amoureux des sauces riches, la nourriture cuite au barbecue est non seulement très riche en saveurs, mais également saine et légère, en particulier si vous cuisinez des viandes maigres, du poisson et des légumes.

Nous vous souhaitons un bon appétit !

Nous aimerions maintenant vous demander de lire attentivement ces instructions, car elles contiennent d'importants avertissements de sécurité et de danger ainsi que des conseils utiles relatifs à la cuisson au barbecue. Et nous tenons également à vous souhaiter un très bel été, bien sûr.

L'équipe design de BODUM® vous souhaite d'excellents moments.

INSTRUCTIONS DE MONTAGE

INSTALLATION DU BARBECUE

- 1 Poignée
- 2 Couvercle
- 3 Grille de cuisson
- 4 Vis M4 (3 pièces)
- 5 Diffuseur de flamme
- 6 Cuve de cuisson
- 7 Clip de verrouillage
- 8 Régulateur
- 9 Brûleur
- 10 Pied de support (3 pièces)
- 11 Fixation du bac à graisse (3 pièces)
- 12 Bac à graisse
- 13 Ouverture d'air
- 14 Raccord entre le brûleur et le régulateur
- 15 Raccord entre la bouteille de gaz et le régulateur

FIGURE A

Avec précaution, placez la cuve de cuisson (6), partie inférieure vers le haut, sur une surface plane, et fixez chacun des trois pieds de support (10) sur la cuve de cuisson (6). Utilisez une vis M6 pré-montée pour chaque pied de support et vissez le pied de support (10) jusqu'à ce qu'il soit correctement fixé. Resserrez toutes les vis du barbecue afin que toutes les pièces soient bien fixées.

FIGURE B

Placez le bac à graisse (12), partie inférieure vers le haut, au centre des trois pieds de support (10). Placez les trois fixations du bac à graisse (11) sur les pieds de support (10). Les fixations du bac à graisse (11) peuvent être glissées sur les pieds de support (10) facilement en pressant les deux œilletons ensemble. Le bac à graisse (12) est maintenant fixé par le pied de support (10) et la fixation du bac à graisse (11). Assurez-vous que le bac à graisse (12), est positionné à environ 6 cm de la cuve de cuisson (6).

FIGURE C

Après avoir fixé les pieds de support (10) et le bac à graisse (12) sur votre barbecue pique-nique à gaz BODUM®, placez le barbecue sur une surface solide et plane. Placez le diffuseur de flamme (5) sur les trois plaques de support prévues à cet effet, puis montez-les sur les supports à l'aide des vis M4 (4) fournies. Resserrez suffisamment toutes les vis du barbecue afin que le diffuseur de flamme (5) soit bien fixé.

Placez le régulateur (8) sur le brûleur (9) à l'aide de l'écrou M6. Resserrez l'écrou du régulateur (8) suffisamment de sorte que le régulateur (8) soit bien fixé au brûleur (9).

Une fois que le montage est terminé, placez la grille de cuisson (4) sur la cuve de cuisson (6).

Pour transporter le barbecue pique-nique à gaz BODUM®, placez le couvercle (3) sur la cuve de cuisson et fixez-le en place en actionnant les trois clips de verrouillage (7). Portez le barbecue par la poignée (1). Le barbecue ne doit jamais être transporté quand il est chaud. Laissez-le toujours refroidir complètement. Placez toujours le régulateur (8) en position OFF (ARRÊT) avant de transporter le barbecue.

INFORMATIONS DE SÉCURITÉ ET DE DANGER

Le non-respect des instructions et des précautions de sécurité peut entraîner des dégâts importants, des blessures graves, voire la mort.

- N'utilisez pas le barbecue à l'intérieur ! Le barbecue pique-nique à gaz BODUM® est exclusivement conçu pour une utilisation en extérieur. Des gaz toxiques peuvent se former s'il est utilisé à l'intérieur.
- Placez votre barbecue pique-nique à gaz BODUM® sur une surface sécurisée avant de l'utiliser. Le barbecue au gaz ne doit jamais être incliné ni basculé !
- Avertissement ! N'utilisez jamais de spiritueux, d'essence ou d'autres liquides inflammables pour allumer ou rallumer votre barbecue ! Utilisez uniquement des allume-feux conformes à la norme EN1860-3 !
- Les enfants et les animaux de compagnie ne doivent pas rester près d'un barbecue chaud sans surveillance.
- Le barbecue et les matériaux inflammables doivent être séparés d'au moins 1,5 m.
- Ne placez pas le barbecue sur une surface inflammable ou sur du verre.
- Ne stockez jamais des bouteilles de gaz de rechange ou ouvertes sous ou à proximité du barbecue.
- Un montage incorrect peut entraîner un danger. Conservez toujours les consignes de montage fournies dans ces instructions à portée de main.
- Lorsque le barbecue pique-nique à gaz a été rangé ou qu'il n'a pas été utilisé pendant une longue période, vérifiez toujours la présence éventuelle de fuites de gaz et d'obstructions du brûleur (9) avant de l'utiliser. Vous pouvez trouver les instructions relatives à ce point dans la rubrique « Vérifier une fuite de gaz »
- Ne portez pas de vêtements avec des manches longues et amples lorsque vous utilisez le barbecue.
- Si la flamme au niveau du brûleur (9) s'éteint pendant l'utilisation, positionnez le régulateur (8) sur OFF (ARRÊT) et ouvrez le couvercle.
- N'utilisez jamais de charbon, de briquettes ni de pierres de lave dans votre barbecue pique-nique à gaz.
- Si de la graisse commence à brûler, positionnez le régulateur (8) sur OFF (ARRÊT) et attendez que le feu se soit éteint.
- Pour déplacer le barbecue, saisissez-le par la poignée (1) et positionnez-le à l'endroit désiré. N'essayez jamais de déplacer le barbecue lorsqu'il est chaud ! Attendez que le barbecue ait refroidi avant de le déplacer ou de le soulever.
- Le barbecue pique-nique à gaz BODUM® ne doit pas être utilisé comme un radiateur.
- Le barbecue pique-nique à gaz BODUM® n'est pas conçu pour être installé ni utilisé dans des caravanes, des camping-cars ou des bateaux.
- Lorsque vous nettoyez le régulateur (8) ou le brûleur (9), assurez-vous que les buses et les raccords ne sont pas endommagés.
- Le butane/le propane ne sont pas des gaz bruts. Toute modification apportée au barbecue en vue de l'utiliser avec du gaz brut ainsi que toute tentative d'utiliser ce barbecue au butane/propane avec du gaz brut peut s'avérer dangereuse et entraîne une annulation de la garantie.
- Une bouteille de gaz bosselée ou rouillée peut être dangereuse et devrait être vérifiée par votre fournisseur de gaz. N'utilisez jamais de bouteilles de gaz avec une vanne endommagée.
- Du gaz peut subsister à l'intérieur de bouteilles de gaz qui semblent complètement vides. Les bouteilles de gaz doivent être transportées et stockées en gardant cela à l'esprit.
- Ne tentez jamais, quelles que soient les circonstances, de détacher le régulateur (8) ou toute autre pièce de la ligne de gaz lorsque vous utilisez le barbecue.
- Lorsque vous utilisez le barbecue, enlevez toujours le couvercle en le glissant sur le côté (ne le soulevez jamais vers le haut). Dans le cas contraire, cela pourrait générer un appel d'air.
- N'utilisez que le régulateur (8) fourni avec le barbecue pique-nique à gaz.
- N'utilisez pas le barbecue lorsqu'il y a du vent.
- Utilisation extérieure uniquement.
- **ATTENTION:** La cartouche de gaz ne doit pas être utilisée la tête la première.
- Utilisez des bouteilles de butane/propane jetables avec un poids minimum de 430 g et un poids maximum de 460 g. Les bouteilles doivent être équipées d'une vanne avec filetage, conformément à la norme EN417.
- Ne cherchez jamais une fuite de gaz à l'aide d'une flamme nue. Avant de rechercher une fuite, assurez-vous qu'aucune étincelle ni flamme nue ne sont à proximité. Des étincelles et des flammes peuvent déclencher une explosion, ce qui peut causer des blessures graves voire mortelles et engendrer des dégâts matériels.
- Resserrez uniquement le raccord de la bouteille à la main. Exercer une force excessive peut endommager le raccord de régulateur et la vanne de la bouteille.
Cela peut engendrer une fuite ou empêcher le gaz de circuler.
- Enlevez le couvercle lorsque vous allumez le barbecue, et laissez-le découvert tandis qu'il commence à brûler.
- Ne touchez jamais le barbecue ou la grille pour vérifier qu'ils sont chauds.
- Portez toujours des maniques de barbecue ou de four lorsque vous utilisez le barbecue afin de protéger vos mains.
- Utilisez des ustensiles de barbecue dotés de longues poignées résistantes à la chaleur.
- Veuillez conserver les câbles électriques éloignés des surfaces chaudes.
- Ne mettez pas de feuilles d'aluminium sur la grille de cuisson, car cela pourrait entraver le flux d'air.
- N'utilisez pas d'objets tranchants ni de nettoyeurs abrasifs pour nettoyer la grille de cuisson, car cela pourrait endommager la surface.

ASTUCES UTILES

- Pour allumer le barbecue à gaz, utilisez l'allume-gaz BISTRO de Bodum. N'allumez jamais le barbecue du dessus, mais toujours par les orifices de ventilation ou d'allumage, comme illustré à la figure D.
- Utilisez une spatule (spatule pour barbecue FYRKAT de BODUM®) ou des pinces (pinces pour barbecue FYRKAT de BODUM®) pour retourner les aliments sur le barbecue. Evitez d'utiliser des objets tranchants pour percer la viande, car les jus et les saveurs de la viande pourraient s'échapper.
- Idéalement, retournez la nourriture une seule fois. Suivez les conseils indiqués dans votre recette.

RACCORD DE GAZ

- Utilisez des bouteilles de butane/propane jetables avec un poids minimum de 430 g et un poids maximum de 460 g. Les bouteilles doivent être équipées d'une vanne avec filetage, conformément avec la norme EN417.

ATTENTION : Utilisez uniquement les bouteilles de gaz dont l'étiquette indique qu'elles contiennent de butane/propane.

- Pressez la bouteille de gaz liquide jetable dans le régulateur et tournez la bouteille dans le sens des aiguilles d'une montre, comme illustré à la figure C, jusqu'à ce qu'elle soit fermement fixée.

REMARQUE : Resserrez uniquement le raccord de la bouteille à la main. Exercer une force excessive peut endommager le régulateur (8) et la vanne de la bouteille. Cela peut engendrer une fuite ou empêcher le gaz de circuler.

VÉRIFIER UNE FUITE DE GAZ:

VOUS AVEZ BESOIN DES ÉLÉMENTS SUIVANTS :

Bouteille de gaz liquide jetable, solution savonneuse et chiffon ou brosse pour appliquer la solution.

Pour vérifier la présence d'une éventuelle fuite de gaz, vous devez vérifier les raccords suivants. Le raccord entre le brûleur et le régulateur (14) et le raccord entre la bouteille de gaz et le régulateur (15) FIGURE D.

- 1) Fixez la bouteille de gaz au régulateur (8), comme illustré à la FIGURE C.
- 2) Mélangez l'eau et le savon.
- 3) Humidifiez les raccords indiqués ci-dessus à l'aide de la solution savonneuse.
- 4) Tournez le régulateur de gaz dans le sens inverse des aiguilles d'une montre, sur ON (MARCHE).
- 5) Vérifiez la présence d'une fuite. Si des bulles se forment ou si une bulle grossit, vous êtes en présence d'une fuite. S'il existe une fuite, tournez le régulateur (8) sur OFF (ARRÊT) et resserrez davantage le raccord de la bouteille. Tournez le régulateur (8) de nouveau sur ON (MARCHE) et effectuez une nouvelle vérification à l'aide de la solution savonneuse. Si une fuite est toujours présente, tournez le régulateur (8) sur OFF (ARRÊT) et ôtez la bouteille de gaz. Essayez avec une autre bouteille de gaz. Si la fuite est toujours présente, contactez votre détaillant. **N'UTILISEZ PAS LE BARBECUE.**

6) Placez le régulateur (8) sur OFF (ARRÊT) une fois que le test de vérification de fuite est terminé, puis nettoyez le raccord entre le brûleur et le régulateur (14) et le raccord entre la bouteille de gaz et le régulateur (15) à l'aide d'un chiffon humide. FIGURE D

ALLUMAGE MANUEL

- 1) Ouvrez toujours le couvercle avant l'allumage. Le barbecue à gaz ne doit jamais être allumé quand le couvercle est fermé.
- 2) Vérifiez que le régulateur (8) est en position OFF (ARRÊT).
- 3) Pour allumer le barbecue, utilisez l'allume-gaz BISTRO de Bodum. Activez l'allume-gaz et maintenez la flamme dans l'un des deux orifices d'allumage situés sous le brûleur, comme illustré à la figure D.

REMARQUE : Ne vous penchez pas sur le barbecue ouvert. Maintenez votre visage et votre corps au minimum à 30 cm de l'orifice d'allumage pendant que vous allumez le barbecue.

- 4) Tournez le régulateur (8) du brûleur (9) sur la position ON (MARCHE).
- 5) Vérifiez que le brûleur (9) est allumé en regardant à travers la grille de cuisson. Vous devez voir une flamme bleue.

ATTENTION : Si vous n'ouvrez pas le couvercle pendant la procédure d'allumage ou que vous ne respectez pas le temps d'attente de 5 minutes pour permettre aux gaz de se dissiper au cas où le barbecue ne s'allume pas, il existe un risque de retour de flammes, ce qui peut entraîner des blessures physiques graves voire mortelles.

NETTOYAGE

- 1) Le régulateur doit être en position OFF (ARRÊT), et le barbecue pique-nique à gaz doit être froid.
- 2) Ouvrez le couvercle (2).
- 3) Ôtez la grille de cuisson (3).
- 4) Desserrez les trois vis M4 (4) sur le diffuseur de flamme (5). Ôtez les vis M4 (4) et le diffuseur de flamme (5).
- 5) Ôtez les résidus alimentaires de la cuve de cuisson (6) et nettoyez la cuve de cuisson (6) et le diffuseur de flamme (5) à l'aide d'un détergent doux et d'eau.
- 6) Il n'est pas nécessaire de nettoyer la grille de cuisson après chaque utilisation. Il suffit d'enlever les résidus alimentaires à l'aide d'une brosse métallique en laiton ou d'une feuille d'aluminium froissée, puis d'essuyer à l'aide de papier essuie-tout.
- 7) Montez le diffuseur de flamme (5) après le nettoyage en suivant les « INDICATIONS DE MONTAGE »

ENTREPOSAGE

- Lorsque le barbecue pique-nique à gaz n'est pas utilisé, il est essentiel que la bouteille de gaz soit rangée dans un endroit bien ventilé, en extérieur.
- Il convient de vérifier les fuites de gaz et les obstructions du brûleur (9) du barbecue à gaz avant de l'utiliser.
- Vérifiez que les ouvertures d'air (13) ne sont pas endommagées. **FIGURE D**

ASTUCES DE CUISSON

Veillez lire soigneusement toutes les instructions avant de commencer à utiliser le barbecue. Le couvercle est une pièce importante du barbecue pique-nique à gaz BODUM® et doit être maintenu fermé à tout moment lorsque vous cuisez des aliments au barbecue. Vous économisez un tiers de temps de cuisson par rapport à un four traditionnel, car l'air chaud circule constamment autour de la nourriture pendant la cuisson. La nourriture cuite au barbecue doit être retournée une fois, à mi-cuisson.

RAISONS POUR LESQUELLES UTILISER LE BARBECUE AVEC UN COUVERCLE FERMÉ :

- Pas d'embrasement : lorsque le couvercle est fermé, les flammes ne peuvent pas s'intensifier.
- Cuisson rapide au barbecue : le barbecue pique-nique à gaz BODUM® est conçu de manière optimale pour la rétention de chaleur. La chaleur est renvoyée par toutes les surfaces (principalement par le couvercle) et concentrée sur les aliments, ainsi le temps de cuisson au barbecue est considérablement réduit.

VOUS POUVEZ PROLONGER LA DURÉE DE VIE DE VOTRE BARBECUE PIQUE-NIQUE À GAZ BODUM® DE PLUSIEURS ANNÉES SI VOUS LE NETTOYEZ EN PROFONDEUR UNE FOIS PAR AN. IL VOUS SUFFIT DE SUIVRE CES ÉTAPE SIMPLES :

- Assurez-vous que le barbecue ait refroidi.
- Assurez-vous que le régulateur (8) est en position OFF (ARRÊT).
- Ôtez la grille de cuisson.
- Essuyez la cuve de cuisson (6) à l'aide d'un chiffon. Tous les résidus du barbecue peuvent être mis dans le bac à graisse (12).
- Ôtez les résidus et la graisse du bac à graisse.
- Essuyez l'extérieur du barbecue à l'aide d'un chiffon humide.
- Il n'est pas nécessaire de nettoyer la grille de cuisson à chaque utilisation. Il suffit d'enlever les résidus de nourriture à l'aide d'une brosse métallique en laiton ou d'une feuille d'aluminium froissée, puis d'essuyer à l'aide de papier essuie-tout.

DONNÉES TECHNIQUES

Puissance nominale	2,9kW (210g/h)
Type de gaz	Butane/Propane
Marques d'homologation	CE



En meget varm velkomst udenfor!

Hvad forbinder vi mere med foråret og sommeren end at spise udenfor? Og hvad er mere perfekt end fornøjelsen ved at bruge en virkelig førsteklases grill? Uanset hvad du bedst kan lide - en god bøf, en saftig pølse eller grillede grøntsager - med BODUM® Picnic Gas BBQ "Fyrkat", har du har truffet det rigtige valg for en hyggelig sommer. En grill er formodentlig den eneste kulinariske arrangement, hvor ordsproget "For mange kokke fordærver maden" ikke gælder: Når der grilles, er der mange kokke om maden. Hvis du ikke er alt for let forført af fede sovse, er grillet mad ikke kun yderst velsmagende, men også sundt og let, især hvis du bruger magert kød, fisk og grøntsager. Vi ønsker dig Bon Appétit!

Det eneste, vi gerne vil gøre nu, er at bede dig om at læse disse instruktioner omhyggeligt, da de indeholder vigtige sikkerhedsinstruktioner og advarsler, samt nyttige grilltips, og - selvfølgelig - at ønske dig en dejlig sommer.

Med de bedste ønsker fra BODUM® designholdet

MONTERINGSVEJLEDNING

OPSÆTNING AF GRILL

- 1 Håndtag
- 2 Låg
- 3 Grillrist
- 4 M4 skrue (3 styk)
- 5 Flammetæmmer
- 6 Grillskål
- 7 Låseclip
- 8 Regulator
- 9 Brænder
- 10 Støtteben (3 styk)
- 11 Beslag til drypbakke (3 styk)
- 12 Drypbakke
- 13 Luftsplæld
- 14 Forbindelse mellem brænder og regulator
- 15 Forbindelse mellem gasbeholder og regulator

FIGUR A

Placér grillskålen (6) forsigtigt med undersiden opad på en plan overflade og monter hver af de tre støtteben (10) til grillskålen (6). Brug en allerede monteret M6 skrue til hvert støtteben og skru støttebenet (10) ind, indtil det sidder godt fast. Stram alle skruerne på grillen, således at alle dele er sikre.

FIGUR B

Placér drypbakken (12) med undersiden opad i midten af de tre støtteben (10). Fastgør de tre beslag til drypbakken (11) på støttebenene (10). Beslagene til drypbakken (11) kan let skydes over støttebenene (10) ved at trykke de to snøringer sammen. Drypbakken (12) holdes nu på plads af støttebenet (10) og beslaget til drypbakken (11). Sørg for, at drypbakken (12) er placeret i en afstand af ca. 6 cm fra grillskålen (6).

FIGUR C

Efter montering af støttebenene (10) og drypbakken (12) på din BODUM® Picnic Gas BBQ, skal du placere din BBQ grill på en fast, plan overflade. Placér flammetæmmeren (5) på de tre støtteplader, der er beregnet til dette formål, og monter disse på holderne ved hjælp af de leverede M4-skruer (4). Stram alle skruerne på grillen, således at flammetæmmeren (5) sidder sikkert fast.

Monter regulatoren (8) på brænderen (9) med M6 møtrikken. Stram møtrikken på regulatoren (8) tilstrækkeligt, således at regulatoren (8) sidder fast på brænderen (9).

Når monteringen er færdig, skal du placere grillristen (4) på grillskålen (6).

For at transportere din BODUM® Picnic Gas BBQ, så placér låget (3) på grillskålen (6) og klem det fast ved hjælp af de tre låseclips (7). Bær grillen med håndtaget (1). Du må aldrig transportere grillen mens den er varm. Lad den altid køle helt af. Sæt altid regulatoren (8) til OFF før transport.

FARER OG SIKKERHEDSOPLYSNINGER

Manglende overholdelse af disse sikkerhedsoplysninger og forholdsregler kan resultere i alvorlige skader og personskader, eller endog dødsfald.

- Brug ikke grillen indendørs! BODUM® Picnic Gas BBQ er kun beregnet til udendørs brug. Giftige gasser kan dannes, hvis grillen anvendes indendørs.
- Placer din BODUM® Picnic Gas BBQ på et sikkert grundlag, før du bruger den. Grillen må aldrig placeres på en skråning eller vippe!
- Advarsel! Brug aldrig alkohol, benzin eller lignende væsker til at tænde eller tænde igen! Brug kun optændingsblokke, der overholder EN1860-3!
- Børn og kæledyr må ikke opholde sig uden opsyn i nærheden af en varm grill.
- Grillen og brændbare materialer skal holdes mindst 1,5 m væk fra hinanden.
- Du må ikke placere grillen på et brændbart underlag eller på glas.
- Du må aldrig opbevare nogle ekstra eller åbne gasbeholdere under eller i umiddelbar nærhed af grillen.
- Forkert montering kan resultere i fare. Hav altid monteringsvejledningen leveret med denne vejledning lige i nærheden.
- Efter at picnicgrillen har været opbevaret eller ude af brug i en længere periode, skal du altid tjekke for gaslækager og blokeringer af brænderen (9) før brug. Du kan finde instruktionerne for dette under "Tjek for gaslækager"
- Undgå at bære tøj med lange, brede ærmer, når du griller.
- Hvis flammen ved brænderen (9) går ud under brug, så sæt regulatoren (8) til OFF og åbn låget.
- Brug aldrig kul, briketter eller lavasten i din picnicgrill.
- Hvis fedt begynder at brænde, så sæt regulatoren (8) til OFF og vent, indtil ilden er slukket.
- For at flytte grillen, løft den med håndtaget (1), og placér den på det ønskede sted. Forsøg aldrig at flytte grillen, når den er varm! Vent, indtil grillen er kølet ned, før du flytter eller løfter den.
- BODUM® Picnic Gas BBQ må ikke bruges som varmekilde.
- BODUM® Picnic Gas BBQ er ikke beregnet til installation eller brug i campingvogne, autocampere eller både.
- Ved rengøring af regulator (8) eller brænder (9), skal du sikre, at dyserne og forbindelser ikke er beskadiget.
- Butan/propan er ikke rå gasser. Enhver ændring af grillen til brug sammen med rå gas, og ethvert forsøg på at bruge denne butan/propan grill med rå gas er farligt, og vil medføre, at garantien bliver ugyldig.
- En bulet eller rusten gasbeholder kan være farlig og bør tjekkes af din gasleverandør. Brug aldrig gasbeholdere med en beskadiget ventil.
- Der kan stadigvæk være gas i gasbeholdere, der ser ud til at være helt tomme. Gasbeholdere skal transporteres og opbevares med dette i tankerne.
- Du må aldrig, under ingen omstændigheder, forsøge at afmontere regulatoren (8) eller nogen andre dele af gasledningen, når du bruger grillen.
- Når du griller, skal du altid fjerne låget til side - du må aldrig løfte det op og af - ellers kan der dannes sugning.
- Brug kun den regulator (8), der leveres sammen med picnicgrillen.
- Du må ikke grille, når det blæser.
- Kun til udendørs brug.
- **FORSIGTIG:** Gaspatronen må ikke bruges på hovedet.
- Brug engangs butan-/propanbeholdere med en minimum fuld vægt på 430 g og en maksimal fuld vægt på 460 g. Beholderne skal være forsynet med en ventil med gevind i overensstemmelse med EN417.
- Du må aldrig søge efter en gaslækage med hjælp af åben ild. Før du leder efter en lækage, skal du sikre, at der ikke er nogle gnister eller åben ild i nærheden. Gnister og flammer kan udløse en eksplosion, som kan forårsage alvorlige eller endda livsfarlige kvæstelser og medføre materielle skader.
- Du må kun stramme forbindelsen til beholderen manuelt. Brug af overdreven kraft kan beskadige regulatorforbindelsen og beholderventilen.
Dette kan igen føre til en lækage eller forhindre gassen fra at flyde.
- Fjern låget, når grillen tændes og hold grillen utildækket, når den begynder at brænde.
- Rør aldrig grillen eller risten for at se, om de er varme.
- Brug altid grillvanter eller en ovnklud når du griller, for at beskytte dine hænder.
- Brug grillredskaber med lange, varmebestandige håndtag.
- Hold elektriske ledninger væk fra varme overflader.
- Du bør ikke line din grill med aluminiumsfolie, da dette kan forhindre tilførsel af luft.
- Brug ikke skarpe genstande og skuremidler til at rengøre grillristen og grillen, da disse kan beskadige overfladen.

NYTTIGE RÅD

- Når du tænder gasgrillen, bør du bruge en BISTRO lighter fra Bodum. Du må aldrig tænde grillen fra toppen, men i stedet kun gennem ventilationshullerne eller tændingshullerne, som vist i figur D.
- Brug en spatel (BODUM® Fyrkat grillspatel) eller tænger ((BODUM® Fyrkat grilltang) til at vende grillmaden. Undgå at bruge skarpe genstande til at stikke gennem kødet, da dette kan forårsage at kødsaft og smagen løber ud.
- Du bør helst kun vende grillmaden én gang. Følg rådene i din opskrift.

GASFORBINDELSE

- Brug engangs butan-/propanbeholdere med en minimum fuld vægt på 430 g og en maksimal fuld vægt på 460 g. Beholderne skal være forsynet med en ventil med gevind i overensstemmelse med EN417.

FORSIGTIG: Brug kun gasbeholdere, der er mærket med at de indeholder en butan-/propanblanding.

- Skub den disponible flydende gasbeholder ind i regulatoren og drej beholderen i urets retning, som vist i figur C, indtil den sidder fast.

BEMÆRK: Du må kun stramme forbindelsen til beholderen manuelt. Brug af overdreven magt kan lede til, at regulatoren (8) og ventilen på beholderen bliver beskadiget. Dette kan igen føre til en lækage eller forhindre gassen fra at flyde.

TJEK FOR GASLÆKAGER:

DU SKAL BRUGE DET FØLGENDE:

Engangs flydende gasbeholder, sæbevand og en klud eller børste til at anvende vandet.

Det er nødvendigt at tjekke de følgende forbindelser for en gaslækage. Forbindelsen mellem brænder og regulator (14) og forbindelsen mellem gasbeholderen og regulator (15) FIGUR D.

- 1) Sæt gasbeholderen på regulatoren (8) som vist i FIGUR C.
- 2) Bland sæbe med vand.
- 3) Fugt de ovennævnte forbindelser med sæbevandet.
- 4) Drej gasregulatoren mod uret, til ON.
- 5) Tjek for lækager. Hvis der danner sig bobler, eller hvis en boble begynder at blive større, er der en lækage til stede. Hvis en lækage er til stede, drej regulatoren (8) til OFF og stram beholderen mere fast. Drej regulatoren (8) tilbage til ON og tjek igen ved hjælp af sæbevandet. Hvis en lækage stadigvæk er til stede, drej regulatoren (8) til OFF igen og fjern gasbeholderen. Forsøg igen med en anden gasbeholder. Hvis lækagen stadig er til stede, så kontakt din forhandler. **BRUG IKKE GRILLEN.**
- 6) Drej regulatoren (8) til OFF, når lækagetesten er færdig, og rengør forbindelsen mellem brænder og regulator (14) og forbindelsen mellem gasbeholder og regulator (15) med en fugtig klud. FIGUR D

MANUEL TÆNDING

- 1) Åbn altid låget før antændelse. Gasgrillen må aldrig tændes, mens låget er lukket.
- 2) Tjek, at regulatoren (8) er i OFF positionen.
- 3) Når du tænder gasgrillen, bør du bruge en BISTRO lighter fra Bodum. Tænd lighteren og hold flammen i én af de to tændingsåbninger under brænderen, som vist i figur D.

BEMÆRK: Du må ikke bøje dig over den åbne grill. Hold dit ansigt og krop mindst 30 cm væk fra tændingsåbningen, mens grillen tændes.

- 4) Drej regulatoren (8) på brænderen (9) til ON positionen.
- 5) Kontrollér, at brænderen (9) er tændt ved at kigge gennem grillristen. En blå flamme skal være synlig.

FORSIGTIG: Hvis du ikke åbner låget under tændingsprocessen, eller undlader at overholde ventetiden på 5 minutter, for at gøre det muligt for gasserne at sprede i tilfælde af grillen ikke tænder, er der risiko for, at et eksplosivt udbrud af flammer kan dannes, der kan give alvorlige fysiske eller endda dødelige skader.

RENGØRING

- 1) Regulatoren skal stå på OFF, og picknick-gasgrillen skal være kold.
- 2) Åbn låget (2).
- 3) Tag grillristen ud (3).
- 4) Skru de tre M4-skruer (4) af på flammereflektoren (5). Fjern M4-skruerne (4), og tag flammereflektoren (5) ud.
- 5) Fjern madrester fra grillkedlen (6), og rengør grillkedlen (6) og flammereflektoren (5) med et mild rengøringsmiddel og vand.
- 6) Grillristen skal rengøres, hver gang der har været grillet. Fjern resterne let og enkelt med en messingstålbørste eller med sammenkrøllet aluminiumsfolie, og tør derefter af med køkkenrulle.
- 7) Monter flammereflektoren (5) efter rengøring iht. «MONTERINGSANVISNING»

OPBEVARING

- Hvis picnicgrillen ikke er i brug, er det vigtigt, at gasbeholderen bliver opbevaret i et godt ventileret sted, udendørs.
- Gasgrillen skal tjekkes for gaslækager og blokeringer af brænderen (9) før brug.
- Tjek luftåbningerne (13) for skader. **FIGUR D**

GODE RÅD OM AT GRILLE

Læs venligst alle instruktionerne omhyggeligt, før du begynder at grille. Låget er en vigtig del af BODUM® Picnic Gas BBQ og skal holdes lukket på alle tider når der grilles mad. Du sparer op til en tredjedel af madlavningstiden i forhold til en almindelig ovn, da der konstant flyder varm luft rundt om maden ved grilning. Grillmaden skal vendes én gang, halvvejs gennem grilningen.

HER ER DE GODE GRUNDE TIL AT GRILLE MED ET LUKKET LÅG:

- Ingen ild, der flammer op. Når låget er lukket, kan ilden ikke flamme op.
- Hurtig grilning: BODUM® Picnic Gas BBQ er optimalt designet til holde på varmen. Varmen reflekteres fra alle overfladerne (først og fremmest fra låget) tilbage på grillmad, så griltiden bliver betydeligt reduceret.

Du kan forlænge levetiden af din BODUM® Picnic Gas BBQ med flere år, hvis du rengør den grundigt en gang om året. Følg blot disse enkle trin:

- Sørg for, at grillen er kølet af.
- Sørg for, at regulatoren (8) er slået til OFF.
- Fjern grillristen.
- Tør grillskålen (6) af med en klud. Alle madrester kan tørres af ned i drypbakken (12).
- Fjern madrester og fedt fra drypbakken.
- Tør ydersiden af grillen med en fugtig klud.
- Grillristen behøver ikke at blive rengjort hver gang den anvendes. Du kan bare løsne eventuel tiloversbleven mad med en messingstålbørste eller med sammenkrøllet aluminiumsfolie og derefter tørre risten af med køkkenrulle.

TEKNISKE DATA

Nominel effekt	2,9kW (210g/h)
Gastype	Butan/Propan
Godkendelsesmærker	CE



¡Una cálida bienvenida al aire libre!

¿Qué otra cosa asociamos más con la primavera y el verano que comer al aire libre? ¿Y qué es más perfecto que disfrutar de una auténtica y deliciosa barbacoa? Sea cual sea su plato preferido (un buen chuletón, unas jugosas brochetas o unas verduras a la parrilla), con la barbacoa a gas portátil FYRKAT de BODUM® ha hecho la elección perfecta para disfrutar del verano en compañía. Una barbacoa es, probablemente, el único acontecimiento culinario en el que no se cumple aquel refrán que dice "Demasiados cocineros echan a perder el cocido". En una barbacoa intervienen muchos cocineros. Si las salsas no son lo suyo, los alimentos hechos a la barbacoa no sólo son extremadamente sabrosos, sino también ligeros y saludables, sobre todo si elige carne magra, pescado y verduras. ¡Le deseamos buen provecho!

Sólo nos queda pedirle que lea atentamente estas instrucciones, ya que contienen importantes advertencias de seguridad y de prevención de accidentes, así como útiles consejos a la hora de utilizar su barbacoa; y también, por supuesto, que pase un verano delicioso.

Con los mejores deseos del equipo de diseño de BODUM®

INSTRUCCIONES DE MONTAJE

MONTAJE DE LA BARBACOA

- 1 Mango
- 2 Tapa
- 3 Parrilla
- 4 Tornillos M4 (3 unidades)
- 5 Supresor de llamas
- 6 Recipiente
- 7 Abrazadera de cierre
- 8 Regulador
- 9 Quemador
- 10 Patas de apoyo (3 unidades)
- 11 Sujeción de la bandeja para grasa (3 unidades)
- 12 Bandeja para recoger la grasa
- 13 Abertura para el aire
- 14 Conexión entre el quemador y el regulador
- 15 Conexión entre la bombona de gas y el regulador

FIGURA A

Ponga el recipiente (6) boca abajo con cuidado sobre una superficie plana y coloque cada una de las tres patas de apoyo (10) en el recipiente de la barbacoa (6). Utilice un tornillo M6 premontado para cada pata de apoyo y enrosque la pata (10) hasta que quede bien firme. Apriete todos los tornillos de la barbacoa de manera que todas las piezas queden firmemente aseguradas.

FIGURA B

Coloque la bandeja para recoger la grasa (12) boca abajo entre las tres patas de apoyo (10). Coloque las tres sujeciones de la bandeja (11) en las patas (10). Las sujeciones (11) de la bandeja para grasa se pueden deslizar fácilmente en las patas de apoyo (10) presionando los dos ojales. La bandeja para recoger la grasa (12) queda ahora bien sujeta en su lugar por medio de las patas de apoyo (10) y las abrazaderas (11). Asegúrese de que la bandeja (12) esté colocada a una distancia de aprox. 6 cm del recipiente (6).

FIGURA C

Una vez colocadas las patas de apoyo (10) y la bandeja para recoger la grasa (12) en la barbacoa a gas portátil de BODUM®, ponga el conjunto sobre una superficie plana y nivelada. Coloque el supresor de llamas (5) sobre las tres placas de soporte previstas al efecto y monte las placas con ayuda de los tornillos M4 (4) suministrados. Apriete bien todos los tornillos a fin de que el supresor de llamas (5) quede firmemente colocado.

Monte el regulador (8) en el quemador (9) con la tuerca M6. Apriete bien la tuerca del regulador (8) para que éste quede fijo sobre el quemador (9).

Una vez finalizado el montaje, coloque la parrilla (4) sobre el recipiente (6).

Si desea transportar su barbacoa a gas portátil BODUM®, coloque la tapa (3) sobre el recipiente (6) y asegúrela en su sitio por medio de las tres abrazaderas de cierre (7). Utilice el asa (1) para transportar la barbacoa. Nunca transporte la barbacoa mientras está caliente. Deje primero que se enfríe por completo. Ponga siempre el regulador (8) en la posición OFF antes de transportar la barbacoa.

INFORMACIÓN SOBRE RIESGOS Y SEGURIDAD

No respetar las presentes precauciones e instrucciones de seguridad puede ocasionar daños o lesiones personales graves, e incluso la muerte.

- ¡No utilice la barbacoa en espacios cerrados! La barbacoa a gas portátil de BODUM® ha sido diseñada para su uso exclusivo al aire libre. Si se utiliza en recintos cerrados, los gases desprendidos pueden resultar tóxicos.
- Antes de usar la barbacoa a gas portátil de BODUM®, colóquela sobre una base firme. No la ponga nunca sobre una superficie inclinada.
- Advertencia: no use nunca alcohol, petróleo o líquidos similares para encender o volver a prender la llama. Utilice sólo líquidos encendedores que cumplan la norma EN1860-3.
- No permita que niños y mascotas se acerquen a la barbacoa caliente.
- Entre la barbacoa y los materiales inflamables debe dejarse una distancia de al menos 1,5 m.
- No coloque la barbacoa sobre una superficie inflamable o de cristal.
- No guarde nunca bombonas de gas abiertas o de repuesto debajo de la barbacoa o en sus inmediaciones.
- Un montaje incorrecto puede resultar peligroso. Tenga siempre a mano las indicaciones de montaje incluidas en estas instrucciones.
- Si la barbacoa a gas portátil ha permanecido guardada o sin usar durante un largo periodo de tiempo, antes de volver a usarla compruebe que no haya fugas de gas y que el quemador (9) no esté atascado. En el apartado "A la búsqueda de fugas de gas" encontrará instrucciones al respecto.
- No se ponga prendas de vestir de mangas largas y anchas cuando vaya a cocinar con la barbacoa.
- Si la llama del quemador (9) se apagara durante el uso, desconecte el regulador (8) y abra la tapa.
- Nunca utilice carbón, briquetas o piedras volcánicas en la barbacoa a gas portátil.
- Si la grasa empieza a arder, apague el regulador (8) y espere a que el fuego se haya extinguido.
- Para mover la barbacoa, levántela por el asa (1) y colóquela en el lugar deseado. ¡No intente nunca mover la barbacoa cuando esté caliente! Espere a que la barbacoa se haya enfriado por completo antes de moverla o levantarla.
- La barbacoa a gas portátil de BODUM® no debe usarse como calefactor.
- La barbacoa a gas portátil de BODUM® no ha sido diseñada para su instalación o uso en caravanas, autocaravanas o barcos.
- Cuando limpie el regulador (8) o el quemador (9), asegúrese de que las boquillas y las conexiones no estén dañadas.
- El butano y el propano no son gases sin refinar. Cualquier modificación de la barbacoa para su uso con gas sin refinar, así como cualquier intento de usar esta barbacoa a gas con gas sin refinar, representan un peligro y darán lugar a la anulación de la garantía.
- Una bombona oxidada o abollada puede ser peligrosa y debería ser revisada por la empresa proveedora del gas. No use nunca bombonas que tengan dañada la válvula.
- Puede quedar gas en el interior de bombonas que parecen totalmente vacías. Ello debe tenerse en cuenta a la hora de transportar y almacenar las bombonas.
- No intente nunca, bajo ninguna circunstancia, desmontar el regulador (8) ni ninguna otra pieza del conducto del gas cuando esté usando la barbacoa.
- Cuando cocine con la barbacoa, retire siempre la tapa hacia un lado, nunca la levante hacia arriba; de lo contrario, podría producirse una succión.
- Utilice sólo el regulador (8) que se suministra junto con la barbacoa a gas portátil.
- No utilice la barbacoa cuando haga viento.
- Para su uso exclusivo al aire libre.
- **PRECAUCIÓN:** la bombona de gas no debe utilizarse nunca del revés.
- Utilice bombonas desechables de butano/propano que tengan un peso en lleno de entre 430 g y 460 g. Las bombonas deben estar equipadas con una válvula roscada que cumpla la norma EN417.
- Nunca utilice una llama viva para localizar fugas de gas. Antes de buscar fugas, asegúrese de que no haya chispas o llamas en las inmediaciones. Las chispas y las llamas pueden provocar una explosión, lo que podría ocasionar daños materiales y lesiones graves o incluso mortales.
- Apriete la conexión de la bombona a mano exclusivamente. Si emplea una fuerza excesiva podría dañar la conexión del regulador y la válvula de la bombona.
Ello a su vez podría dar lugar a una fuga o impedir que salga el gas.
- Quite la tapa para encender la barbacoa y mantenga la barbacoa destapada mientras se inicia el fuego.
- Nunca toque la parrilla o rejilla para determinar si está caliente.
- Cuando cocine en la barbacoa, protéjase siempre las manos con unas manoplas adecuadas o utilice un paño acolchado de los de horno.
- Utilice utensilios largos con mangos resistentes al calor.
- Mantenga los cables eléctricos alejados de las superficies calientes.
- No forre la parrilla con papel de aluminio, ya que ello puede impedir la circulación del aire.
- No utilice objetos afilados ni detergentes abrasivos para limpiar la parrilla y la rejilla, ya que podrían dañar la superficie.

CONSEJOS ÚTILES

- Utilice el encendedor BISTRO de Bodum para encender la barbacoa a gas. Nunca prenda fuego a la barbacoa desde arriba; en lugar de ello, hágalo sólo a través de los orificios de ventilación o de ignición, como se muestra en la figura D.
- Utilice una espátula (espátula para barbacoa FYRKAT de BODUM®) o unas tenazas (pinzas para barbacoa FYRKAT de BODUM®) para darle la vuelta a los alimentos. Evite usar objetos afilados para pinchar la carne, ya que ello puede provocar que se derramen los jugos y se pierda sabor.
- Lo ideal es darle la vuelta a los alimentos una sola vez. Siga las indicaciones de la receta.

CONEXIÓN DEL GAS

- Utilice bombonas desechables de butano/propano que tengan un peso en lleno de entre 430 g y 460 g. Las bombonas deben estar equipadas con una válvula roscada que cumpla la norma EN417.

PRECAUCIÓN: utilice sólo bombonas de gas etiquetadas en las que se indique que contienen de butano y propano.

- Inserte la bombona desechable de gas líquido en el regulador y gírela en el sentido de las agujas del reloj, como se muestra en la figura C, hasta que quede bien firme.

NOTA: apriete la conexión de la bombona a mano exclusivamente. Si emplea una fuerza excesiva podría dañar el regulador (8) y la válvula de la bombona. Ello a su vez podría dar lugar a una fuga o impedir que salga el gas.

A LA BÚSQUEDA DE FUGAS DE GAS

NECESITARÁ LO SIGUIENTE:

Bombona desechable de gas líquido, solución jabonosa y un paño o cepillo para aplicarla.

Es necesario comprobar las siguientes conexiones por si tuvieran fugas de gas: la conexión entre el quemador y el regulador (14) y la conexión entre la bombona de gas y el regulador (15) FIGURA D.

- 1) Inserte la bombona de gas en el regulador (8) como se muestra en la FIGURA C.
- 2) Mezcle agua y jabón.
- 3) Humedezca las conexiones indicadas arriba con la solución jabonosa.
- 4) Gire el regulador del gas en sentido contrario a las agujas del reloj, a la posición ON.
- 5) Compruebe si hay alguna fuga. Si se forman burbujas o si una burbuja empieza a aumentar de tamaño, existe una fuga. Si detecta una fuga, gire el regulador (8) a la posición OFF y apriete con más firmeza la conexión entre la bombona y el regulador. Vuelva a girar el regulador (8) a la posición ON y haga una nueva comprobación utilizando la solución jabonosa. Si la fuga sigue apareciendo, gire el regulador (8) a la posición OFF de nuevo y retire la bombona de gas. Inténtelo con otra bombona de gas. Si todavía hay fugas, póngase en contacto con el distribuidor. **NO UTILICE LA BARBACOA.**
- 6) Gire el regulador (8) a la posición OFF una vez que haya terminado de comprobar si hay fugas y limpie la conexión entre el quemador y el regulador (14) y la conexión entre la bombona de gas y el regulador (15) con un paño húmedo. FIGURA D

ENCENDIDO MANUAL

- 1) Abra siempre la tapa antes del encendido. La barbacoa a gas no debe encenderse nunca mientras la tapa esté cerrada.
 - 2) Compruebe que el regulador (8) esté en la posición OFF.
 - 3) Utilice el encendedor BISTRO de Bodum para encender la barbacoa. Sujete el encendedor y acerque la llama a uno de los dos orificios de ignición situados bajo el quemador, como se indica en la figura D.
- NOTA:** no se incline sobre la barbacoa abierta. Mantenga la cara y el cuerpo a una distancia mínima de 30 cm del orificio de ignición mientras enciende la barbacoa.
- 4) Gire el regulador (8) del quemador (9) a la posición ON.
 - 5) Para comprobar si el quemador (9) está encendido, mire a través de la parrilla. Deberá ver una llama azul.

PRECAUCIÓN: si no abre la tapa durante el proceso de encendido, o si no respeta los 5 minutos de espera para que los gases se disipen en caso de que la barbacoa no se haya encendido, existe el riesgo de que se produzca una llamada explosiva, lo que podría causarle lesiones físicas graves o incluso mortales.

LIMPIEZA

- 1) El regulador debe estar en posición OFF y la barbacoa a gas portátil debe estar fría.
- 2) Abra la tapa (2).
- 3) Retire la parrilla (3).
- 4) Desenrosque los cuatro tornillos M4 (4) del supresor de llamas (5). Retire los tornillos M4 (4) y el supresor de llamas (5).
- 5) Elimine los restos de comida del recipiente de la barbacoa (6) y utilice agua y un detergente suave para limpiar dicho recipiente (6) y el supresor de llamas (5).
- 6) No es necesario limpiar la parrilla después de cada uso. Para eliminar los restos bastará con frotar la parrilla con un cepillo de alambre de cobre o con papel aluminio arrugado y pasarle a continuación un papel de cocina.
- 7) Tras la limpieza, coloque el supresor de llamas (5) conforme a las INSTRUCCIONES DE MONTAJE.

ALMACENAMIENTO

- Cuando no utilice la barbacoa a gas portátil es vital que guarde la bombona de gas en un lugar bien ventilado al aire libre.
- Revise la barbacoa antes de usarla por si presentara alguna fuga de gas o el quemador (9) estuviese atascado.
- Compruebe que las aberturas para el aire (13) no estén dañadas. **FIGURA D**

CONSEJOS A LA HORA DE COCINAR CON LA PARRILLA

Lea atentamente y de principio a fin las instrucciones antes de empezar a cocinar con la barbacoa. La tapa es una pieza importante de la barbacoa a gas portátil de BODUM® y debe mantenerse cerrada en todo momento mientras se utiliza el aparato. En comparación con un horno convencional, con la barbacoa ahorrará hasta un tercio del tiempo necesario para cocinar, ya que el aire caliente está en constante circulación en torno a los alimentos. Déle la vuelta a los alimentos una sola vez, hacia la mitad del tiempo de cocción.

MOTIVOS PARA MANTENER LA TAPA CERRADA DURANTE EL USO

- Ausencia llamaradas: si la tapa está cerrada no se producirán llamaradas.
- Cocinado más rápido: la barbacoa a gas portátil de BODUM® ha sido diseñada para retener el calor. Todas las superficies reflejan el calor (en especial, la tapa) sobre los alimentos que se están preparando, con lo que el tiempo necesario se reduce considerablemente.

PARA AUMENTAR EN VARIOS AÑOS LA VIDA ÚTIL DE SU BARBACOA A GAS PORTÁTIL BODUM®, LÍMPIELA A FONDO UNA VEZ AL AÑO. SIGA ESTOS SENCILLOS PASOS:

- Asegúrese de que la barbacoa se ha enfriado por completo.
- Asegúrese de que el regulador (8) está en la posición OFF.
- Retire la parrilla.
- Limpie el recipiente (6) con un paño. Todos los restos se pueden echar en la bandeja para recoger la grasa (12).
- Elimine los restos de la barbacoa y la grasa de la bandeja.
- Limpie el exterior de la barbacoa con un paño húmedo.
- No es necesario limpiar la parrilla después de cada uso. Basta con que elimine los restos de comida con un cepillo de alambre de bronce o con una hoja de aluminio arrugada y pase después un papel de cocina.

ESPECIFICACIONES TÉCNICAS

Salida nominal	2,9kW (210g/h)
Tipo de gas	Butano/Propano
Marcas de aprobación	CE



Benvenuti all'aria aperta!

Quando pensiamo a un pranzo all'aperto, pensiamo subito alla primavera e all'estate. E cosa più di un vero barbecue rende tutto perfetto? Qualunque sia il vostro cibo preferito, una gustosa bistecca, una salsiccia croccante o le verdure alla griglia, con il barbecue a gas BODUM® "FYRKAT", ideale per picnic, avete fatto la scelta giusta per rendere davvero piacevole la vostra estate. Un barbecue è l'unica occasione gastronomica in cui non si può applicare il proverbio "Troppi cuochi rovinano la minestra": in questa occasione, infatti, collaborano molti "chef". Se non subite troppo la seduzione di salse corpose, le pietanze grigliate sono non solo gustose, ma anche sane e leggere, soprattutto la carne magra, il pesce e le verdure.

Vi auguriamo quindi Buon appetito!

Ora non ci resta che invitarvi a leggere con attenzione queste istruzioni per l'uso, che contengono indicazioni importanti per la sicurezza ed avvertenze sui pericoli, nonché preziosi consigli per grigliare e, naturalmente, augurarvi una meravigliosa estate.

Con i migliori auguri dal team di progettazione BODUM®

ISTRUZIONI PER IL MONTAGGIO

COMPONENTI DEL BARBECUE

- 1 Manico
- 2 Coperchio
- 3 Griglia di cottura
- 4 Vite M4 (3 pezzi)
- 5 Riflettore di fiamma
- 6 Recipiente
- 7 Gancio di fissaggio
- 8 Regolatore
- 9 Fornelletto
- 10 Gamba di sostegno (3 pezzi)
- 11 Fermaglio per il raccoglitore liquidi (3 pezzi)
- 12 Raccoglitore liquidi
- 13 Foro di aerazione
- 14 Collegamento tra fornello e regolatore
- 15 Collegamento tra bombola del gas e regolatore

FIGURA A

Posizionare il recipiente del barbecue (6) capovolto su una superficie piana e montare in sequenza sul recipiente (6) le tre gambe di sostegno con staffa (10). Utilizzare per ciascuna gamba di sostegno una vite M6 premontata e avvitare saldamente nella gamba (10). Ora serrare saldamente tutte le viti del barbecue.

FIGURA B

Posizionare il raccoglitore liquidi (12) capovolto nel centro delle tre gambe di sostegno (10). Fissare i tre fermagli del raccoglitore liquidi (11) sulle gambe di sostegno (10). I fermagli del raccoglitore (11) scorrono facilmente sulle gambe di sostegno (10) premendo sulle due asole. Ora il raccoglitore liquidi (12) è bloccato nella posizione corretta dalla gamba di sostegno (10) e dal fermaglio (11). Controllare che il raccoglitore liquidi (12) sia posizionato a una distanza di circa 6 cm dal recipiente del barbecue (6).

FIGURA C

Dopo avere montato le gambe di sostegno (10) e il raccoglitore liquidi (12) sul barbecue BODUM® Picnic Gas, posizionare il barbecue su una superficie piana e stabile. Collocare il riflettore di fiamma (5) sulle tre apposite piastre di supporto e montarle sui rispettivi supporti usando le viti M4 (4) fornite in dotazione. Serrare a sufficienza tutte le viti del barbecue in modo da fissare saldamente il riflettore di fiamma.

Montare il regolatore (8) sul fornello (9) con un dado M6. Serrare a sufficienza il dado del regolatore (8) in modo che il regolatore (8) sia fissato saldamente sul fornello (9).

Dopo avere completato il montaggio, collocare la griglia di cottura (4) sul recipiente del barbecue (6).

Per trasportare il barbecue BODUM® Picnic Gas, collocare il coperchio (3) sul recipiente del barbecue (6) e chiuderlo con i tre ganci di fissaggio (7). Trasportare il barbecue tenendolo per il manico (1). Non trasportare mai il barbecue quando è caldo. Attendere sempre che si sia raffreddato completamente. Prima del trasporto, ruotare sempre il regolatore (8) nella posizione OFF.

PERICOLI E INFORMAZIONI DI SICUREZZA

Il mancato rispetto delle avvertenze per la sicurezza e delle misure precauzionali può provocare danni, lesioni gravi alle persone e perfino la morte.

- Non utilizzare in ambienti chiusi! Il barbecue BODUM® Picnic Gas è progettato esclusivamente per l'uso all'aperto. Nei locali chiusi possono svilupparsi gas di combustione velenosi.
- Prima della messa in funzione, collocare il barbecue BODUM® Picnic Gas su un piano sicuro. Non sistemarlo mai in posizione obliqua o inclinata!
- Avviso! Per l'accensione o la riaccensione, non utilizzare alcool, benzina o altri simili liquidi! Utilizzare un accendifuoco secondo la norma EN 1860-3!
- Non lasciare mai bambini o animali domestici nelle vicinanze del barbecue senza sorveglianza.
- Tenere una distanza tra il barbecue e i materiali infiammabili di almeno 1,5 metri.
- Non posizionare il barbecue su una superficie infiammabile o di vetro.
- Non tenere mai le scorte o le bombolette di gas aperte sotto o nelle vicinanze del barbecue.
- Un montaggio errato può implicare pericoli seri. Tenere sempre a portata di mano le istruzioni per il montaggio.
- Dopo un periodo prolungato di immagazzinaggio o di inutilizzo, prima di usare il barbecue controllare sempre che non vi siano perdite di gas o blocchi del fornello (9). Le istruzioni in merito sono contenute nella sezione "Verifica di eventuali perdite di gas".
- Durante la grigliata, non indossare mai vestiti con maniche lunghe e ampie.
- Se la fiamma del fornello (9) si estingue durante l'uso, posizionare il regolatore (8) su OFF e aprire il coperchio.
- Nel barbecue a gas, non usare mai carbone, bricchetti o pietre laviche.
- Se il grasso comincia ad ardere, posizionare il regolatore (8) su OFF e attendere che la fiamma si estingua.
- Per spostare il barbecue, sollevarlo leggermente tenendolo per il manico (1) e posizionarlo nel luogo desiderato. Non spostarlo mai quando è caldo! Prima di spostare o sollevare il barbecue, attendere sempre che si sia raffreddato.
- Il barbecue BODUM® Picnic Gas non deve essere utilizzato per il riscaldamento.
- Il barbecue BODUM® Picnic Gas non è indicato per essere montato o utilizzato in camper, roulotte o imbarcazioni.
- Quando si pulisce il regolatore (8) o il fornello (9), assicurarsi che gli ugelli e i collegamenti non siano danneggiati.
- Il butano e il propano non sono gas grezzi. Qualsiasi modifica o tentativo di usare questo barbecue per butano/propano con gas grezzi rappresenta un pericolo e comporterà l'annullamento della garanzia.
- Una bombola di gas ammaccata o arrugginita può essere pericolosa ed è opportuno farla controllare dal rivenditore. Non usare mai bombolette di gas con la valvola danneggiata.
- Anche le bombole che sembrano vuote potrebbero contenere ancora del gas. Tenerlo presente durante il trasporto e l'immagazzinaggio.
- Quando si usa il barbecue, non provare mai a staccare il regolatore (8) o altre parti del condotto del gas.
- Durante la cottura, rimuovere sempre il coperchio sollevandolo lateralmente, mai verso l'alto, poiché potrebbe formarsi un risucchio.
- Usare esclusivamente il regolatore (8) fornito con il barbecue a gas per picnic.
- Non grigliare in caso di vento forte.
- Usarlo esclusivamente all'aperto.
- **ATTENZIONE:** la bombola del gas non deve mai essere usata capovolta.
- Usare bombole usa e getta di butano/propano con un peso minimo di 430 g e un peso massimo di 460 g quando piene. Le bombole devono essere dotate di una valvola con filetto conforme alla norma EN417.
- Non usare mai una fiamma per cercare un'eventuale perdita di gas. Prima di cercare una perdita, assicurarsi dell'assenza di fiamme o scintille nelle vicinanze. Fiamme e scintille possono provocare un'esplosione e causare lesioni gravi o fatali e danni al materiale.
- Stringere sempre manualmente il collegamento della bombola. L'uso di forza eccessiva può danneggiare il collegamento del regolatore e la valvola della bombola.
Ciò potrebbe causare una perdita o impedire la fuoriuscita del gas.
- Per l'accensione, rimuovere il coperchio e tenere il barbecue scoperto finché si accende la fiamma.
- Non toccare mai né il barbecue, né la griglia per constatare se sono caldi.
- Per cuocere alla griglia, indossare dei guanti da forno o usare delle presine per proteggere le mani.
- Utilizzare apposite posate per barbecue con lunghe impugnature resistenti al calore.
- Tenere lontano i cavi elettrici dalle superfici calde.
- Non coprire il barbecue con un foglio di alluminio per non bloccare il flusso dell'aria.
- Per la pulizia delle griglie e del barbecue, non usare oggetti appuntiti, né sostanze abrasive, poiché ne rovinano la superficie.

INFORMAZIONI UTILI

- Per accendere il barbecue a gas, usare l'accendino BISTRO di Bodum. Non accendere mai il barbecue dall'alto ma soltanto attraverso i fori di ventilazione o di accensione, come mostrato nella Figura D.
- Per girare i cibi, utilizzare una spatola (paletta BODUM® FYRKAT) o una pinza per barbecue (pinza per barbecue BODUM® FYRKAT). Evitare di bucare la carne con oggetti appuntiti per impedire la fuoriuscita del sugo e dell'aroma.
- Se possibile, girare i cibi solo una volta. Seguire i consigli della ricetta da preparare.

COLLEGAMENTO DEL GAS

- Usare bombole usa e getta di butano o butano/propano con un peso minimo di 430 g e un peso massimo di 460 g quando piene. Le bombole devono essere dotate di una valvola con filetto conforme alla norma EN417.

ATTENZIONE: usare solo bombole di gas etichettate come una miscela di butano/propano.

- Inserire la bombola del gas monouso nel regolatore e ruotarla in senso orario, come mostrato nella Figura C, fino a bloccarla nella posizione corretta.

NOTA: stringere sempre manualmente il collegamento della bombola. L'uso di forza eccessiva può danneggiare il regolatore (8) e la valvola della bombola. Ciò potrebbe causare una perdita o impedire la fuoriuscita del gas.

VERIFICA DI EVENTUALI PERDITE DI GAS

OPERAZIONI NECESSARIE:

Bombola di gas liquido monouso, soluzione saponosa e un panno o una spazzola per applicare la soluzione. Per individuare una perdita di gas, è necessario controllare i seguenti collegamenti: il collegamento tra il fornello e il regolatore (14) e il collegamento tra la bombola di gas e il regolatore (15), FIGURA D.

- 1) Collegare la bombola del gas al regolatore (8), come mostrato nella FIGURA C.
- 2) Mescolare il sapone con acqua.
- 3) Inumidire con la soluzione saponosa i collegamenti sopracitati.
- 4) Ruotare il regolatore del gas in senso orario nella posizione ON.
- 5) Controllare l'eventuale presenza di perdite. Se si formano bolle, o se una bolla comincia ad ingrandirsi, significa che è presente una perdita. In caso di perdite, ruotare il regolatore (8) su OFF e stringere maggiormente il collegamento della bombola. Riposizionare il regolatore (8) su ON e ripetere il controllo usando la soluzione saponosa. Se la perdita persiste, ruotare nuovamente il regolatore (8) su OFF e rimuovere la bombola del gas. Provare con una seconda bombola. Nel caso vi sia ancora una perdita, contattare il proprio rivenditore. **NON UTILIZZARE IL BARBECUE.**
- 6) Dopo avere completato il test per individuare eventuali perdite, posizionare il regolatore (8) su OFF e pulire il collegamento tra il fornello e il regolatore (14) e il collegamento tra la bombola del gas e il regolatore (15) usando un panno inumidito. FIGURA D

ACCENSIONE MANUALE

- 1) Aprire sempre il coperchio prima dell'accensione. Non accendere mai il barbecue a gas con il coperchio chiuso.
- 2) Controllare che il regolatore (8) sia nella posizione OFF.
- 3) Per accendere il barbecue, usare l'accendino BISTRO di Bodum. Accendere l'accendino e tenere la fiamma in uno dei due fori di accensione sotto il fornello, come mostrato nella Figura D.

NOTA: non chinarsi sul barbecue aperto. Durante l'accensione del barbecue, tenere il viso e il corpo a una distanza minima di 30 cm dai fori di accensione.

- 4) Ruotare il regolatore (8) del fornello (9) nella posizione ON.
- 5) Controllare che il fornello (9) sia acceso guardando attraverso la griglia di cottura. Deve essere visibile una fiamma blu.

ATTENZIONE: se non si apre il coperchio durante il processo di accensione, oppure se non si attendono 5 minuti per permettere la dissipazione del gas nel caso in cui il barbecue non si accenda, vi è il rischio che si formi una fiamma esplosiva, con il pericolo di provocare gravi lesioni fisiche o perfino mortali.

PULIZIA

- 1) Il regolatore deve essere posizionato su OFF e il barbecue a gas per picnic deve essere freddo.
- 2) Aprire il coperchio (2).
- 3) Rimuovere la griglia di cottura (3).
- 4) Allentare le tre viti M4 (4) sul riflettore di fiamma (5). Togliere le viti M4 (4) e il riflettore di fiamma (5).
- 5) Rimuovere i residui di cibo dal recipiente del barbecue (6) e pulire il recipiente (6) e il riflettore di fiamma (5) con un detergente delicato e acqua.
- 6) La griglia di cottura non deve essere lavata dopo ogni grigliata. Rimuovere i resti utilizzando una spazzola metallica in ottone o un foglio di alluminio arrotolato, quindi pulire con un panno di carta da cucina.
- 7) Terminata la pulizia, montare il riflettore di fiamma (5) seguendo le «ISTRUZIONI PER IL MONTAGGIO».

CONSERVAZIONE

- Quando non si usa il barbecue a gas per picnic, è importante conservare la bombola del gas in un luogo ben ventilato all'aperto.
- Prima dell'utilizzo è necessario controllare l'eventuale presenza di perdite e bloccaggi del fornello (9).
- Verificare eventuali danni ai fori di aerazione (13). **FIGURA D**

SUGGERIMENTI PER LA COTTURA ALLA GRIGLIA

Prima di cuocere alla griglia, leggere attentamente tutte le istruzioni. Il coperchio è una parte importante del barbecue BODUM® Picnic Gas e deve sempre restare chiuso quando si cuociono cibi alla griglia. Rispetto a un forno tradizionale, si risparmia un terzo del tempo di cottura poiché l'aria calda fluisce costantemente intorno al cibo durante la cottura. Girare gli alimenti almeno una volta dopo circa metà del tempo di cottura.

ECCO I MOTIVI PER CUOCERE I CIBI ALLA GRIGLIA CON IL COPERCHIO CHIUSO:

- Quando il coperchio è chiuso, le fiamme non possono divampare.
- Rapida cottura alla griglia: il barbecue BODUM® Picnic Gas è progettato in modo ottimale per trattenere il calore. Il calore viene riflesso sugli alimenti da tutte le superfici (soprattutto dal coperchio) in modo da ridurre considerevolmente il tempo di cottura.

SI PUÒ PROLUNGARE DI ANNI LA DURATA DI VITA DEL VOSTRO BARBECUE BODUM® PICNIC GAS SE LO SI PULISCE ACCURATAMENTE UNA VOLTA ALL'ANNO. ECCO LE SEMPLICI OPERAZIONI DA ESEGUIRE:

- Accertarsi che il barbecue si sia raffreddato.
- Accertarsi che il regolatore (8) sia nella posizione OFF.
- Rimuovere la griglia di cottura.
- Strofinare con un panno l'interno del recipiente del barbecue (6). Tutti gli avanzi di cibo si possono far cadere nel raccoglitore liquidi (12).
- Rimuovere i residui dei cibi e dei grassi dal raccoglitore.
- Pulire la parte esterna del barbecue usando un panno umido.
- La griglia di cottura non deve essere lavata dopo ogni utilizzo. Rimuovere i resti utilizzando una spazzola metallica in ottone o un foglio di alluminio accartocciato, quindi pulire con un panno di carta da cucina.

DATI TECNICI

Potenza nominale	2,9 kW (210 g/h)
Gas	Butano/Propano
Certificazioni di omologazione	CE



Welkom in de buitenlucht!

Wat is er nou heerlijker in de lente en de zomer dan gezellig buiten eten? Denk daar een topbarbecue bij en het geluk is compleet! Of u nou het liefst een sappige biefstuk, een knapperig worstje of gegrilde groenten eet, de BODUM® Draagbare Gasbarbecue «FYRKAT» is de perfecte keuze voor een feestelijke zomer. Koken is meestal een eenzame aangelegenheid, maar niet op een barbecue: iedereen kan gezellig meedoen. En als het u lukt om de vette sauzen te laten staan, is gegrild voedsel niet alleen bijzonder lekker, maar ook nog mager en gezond. Zeker als u mager vlees, vis en groenten gebruikt. Bon appétit!

Het enige dat we van u vragen, is dat u deze gebruiksaanwijzing zorgvuldig doorleest. Er staan belangrijke veiligheidsinstructies en waarschuwingen in, maar ook handige barbecuetips. En dan rest ons alleen nog u een heerlijke zomer toe te wensen.

Met de beste wensen van het BODUM® Design Team

MONTAGE-INSTRUCTIES

BARBECUE OPZETTEN

- 1 Handvat
- 2 Deksel
- 3 Grillrooster
- 4 M4-schroef (3 stuks)
- 5 Vlammschild
- 6 Grillbekken
- 7 Sluitklem
- 8 Regelaar
- 9 Brander
- 10 Poten (3 stuks)
- 11 Klem voor vetopvangbak (3 stuks)
- 12 Vetopvangbak
- 13 Luchtgat
- 14 Verbinding tussen brander en regelaar
- 15 Verbinding tussen gasfles en regelaar

FIGUUR A

Plaats het grillbekken (6) voorzichtig ondersteboven op een recht oppervlak en bevestig de drie poten (10) aan het bekken (6). Draai elke poot (10) vast aan een van de vaste M6-schroeven. Draai alle schroeven van de barbecue stevig aan.

FIGUUR B

Plaats de vetopvangbak (12) ondersteboven tussen de drie poten (10). Schuif de drie klemmen voor de vetopvangbak (11) op de poten (10). De klemmen (11) kunnen gemakkelijk over de poten (10) worden geschoven door de twee oogjes naar elkaar toe te drukken. De vetopvangbak (12) wordt nu op de juiste plek gehouden door de poten (10) en de klemmen voor de vetopvangbak (11). Controleer of de vetopvangbak (12) ongeveer 6 cm onder het grillbekken (6) is geplaatst.

FIGUUR C

Nadat u de poten (10) en de vetopvangbak (12) aan uw BODUM® Draagbare Gasbarbecue hebt bevestigd, plaatst u de barbecue op een stevige, vlakke ondergrond. Plaats het vlammschild (5) op de drie daarvoor bestemde steunen en maak ze vast met de meegeleverde M4-schroeven (4). Draai alle schroeven voldoende aan zodat het vlammschild stevig is bevestigd.

Bevestig de regelaar (8) aan de brander (9) met de M6-moer. Draai de moer van de regelaar (8) voldoende strak aan, zodat de regelaar (8) stevig aan de brander (9) is bevestigd.

Nadat alles is gemonteerd, plaatst u het grillrooster (4) op het bekken (6).

Als u de BODUM® Draagbare Gasbarbecue wilt verplaatsen, zet u het deksel (3) op het grillbekken (6) en klemt u het stevig dicht met de drie sluitklemmen (7). Draag de barbecue aan het handvat (1). De barbecue mag niet worden verplaatst als deze nog warm is. Laat de barbecue altijd eerst geheel afkoelen. Zet de regelaar (8) altijd op OFF (uit) voordat u de barbecue verplaatst.

VEILIGHEIDSINFORMATIE

Het niet in acht nemen van deze veiligheidsvoorschriften en voorzorgsmaatregelen kan zware schade of zeer ernstig of zelfs dodelijk letsel tot gevolg hebben.

- Gebruik de grill nooit binnenshuis! De BODUM® Draagbare Gasbarbecue is alleen voor gebruik buiten. Binnen kunnen giftige gassen ontstaan.
- Plaats de BODUM® Draagbare Gasbarbecue voor gebruik op een stabiel oppervlak. Zet de gasbarbecue nooit schuin!
- Waarschuwing! Gebruik nooit spiritus, benzine of dergelijke vloeistoffen om de barbecue (opnieuw) aan te steken! Gebruik alleen aanmaakmiddelen die voldoen aan EN1860-3!
- Laat geen kinderen of huisdieren zonder toezicht in de buurt van een hete barbecue.
- Houd brandbaar materiaal altijd tenminste 1,5 m verwijderd van de barbecue.
- Plaats de barbecue nooit op een brandbare ondergrond of op glas.
- Bewaar nooit extra of aangebroken gasflessen onder of dicht bij de barbecue.
- Onjuiste montage kan gevaar opleveren. Houd de montage-instructies van deze handleiding altijd bij de hand.
- Als de draagbare gasbarbecue een tijd niet is gebruikt of opgeslagen is geweest, controleer dan vóór gebruik of de brander (9) niet verstopt is of lekkage vertoont. In het hoofdstuk "Controleren op gaslekken" wordt beschreven hoe u dit doet.
- Draag geen kleren met lange, wijde mouwen tijdens het barbecueën.
- Als de vlam van de brander (9) tijdens het gebruik uit gaat, zet u de regelaar (8) op OFF en opent u de deksel.
- Gebruik nooit houtskool, briketten of lavastenen in uw gasbarbecue.
- Als tijdens het grillen vet vlam vat, zet u de regelaar (8) op OFF en wacht u tot de vlammen zijn gedoofd.
- Als u de barbecue wilt verplaatsen, tilt u de barbecue op aan het handvat (1) en brengt u deze naar de gewenste plaats. Doe dit nooit als de barbecue nog warm is! Wacht tot de barbecue is afgekoeld voordat u deze verplaatst of optilt.
- De BODUM® Draagbare Gasbarbecue mag niet als verwarmingstoestel worden gebruikt.
- De BODUM® Draagbare Gasbarbecue is niet geschikt voor gebruik in caravans, campers of op boten.
- Controleer bij het schoonmaken van de regelaar (8) of brander (9) of de mondstukken en verbindingen niet zijn beschadigd.
- Butaan en propaan zijn geen ruwe gassen. Het ombouwen van de barbecue voor gebruik van ruw gas en pogingen om in deze butaan/propaan-barbecue ruw gas te branden, zijn gevaarlijk en wordt niet gedekt door de garantie.
- Een gedeukte of roestige gasfles kan gevaarlijk zijn en moet worden gecontroleerd door de gasleverancier. Gebruik nooit gasflessen waarvan het ventiel beschadigd is.
- Er kan nog steeds gas aanwezig zijn in gasflessen die geheel leeg lijken. Houd dit in gedachten bij het opslaan en verplaatsen van gasflessen.
- Probeer in geen geval de regelaar (8) of andere delen van de gasleiding te ontkoppelen terwijl de barbecue in gebruik is.
- Als u de deksel tijdens het grillen verwijdert, doe dit dan met een zijwaartse beweging en niet recht omhoog, omdat anders zuiging kan worden opgewekt.
- Gebruik alleen de regelaar (8) die bij de draagbare gasbarbecue is geleverd.
- Gebruik de barbecue niet als het waait.
- Alleen voor gebruik buitenshuis.
- **WAARSCHUWING:** de gasfles mag niet ondersteboven worden gebruikt.
- Gebruik wergwerplessen of butaan/propaan met een minimumgewicht van 430 g en een maximumgewicht van 460 g. De flessen moeten een ventiel met schroefdraad hebben volgens EN417.
- Zoek nooit naar een gaslek met behulp van een vlam. Als u een gaslek zoekt, zorgt dan eerst dat er geen open vuur of vonken in de buurt zijn. Vlammen en vonken kunnen een explosie veroorzaken, wat ernstig of dodelijk letsel en materiële schade tot gevolg kan hebben.
- Draai de gasfles alleen met de hand vast. Te veel kracht kan de verbinding met de regelaar en het flesventiel beschadigen.
Hierdoor kan een lek of een verstopping ontstaan.
- Verwijder de deksel bij het aansteken en laat de deksel er in het begin af.
- Raak de barbecue of het rooster niet aan om te voelen of ze heet zijn.
- Draag altijd ovenwanten of gebruik een pannelap bij het grillen om uw handen te beschermen.
- Gebruik kookgerei met lange, warmtewerende handvaten.
- Houd elektriciteitsnoeren uit de buurt van hete oppervlakken.
- Bekleed de binnenkant van de barbecue niet met aluminiumfolie, aangezien dit de luchtcirculatie kan verstoren.
- Gebruik voor het reinigen geen scherpe gereedschappen of schuurmiddelen, aangezien dit de buitenlaag kan beschadigen.

HANDIGE TIPS

- Gebruik voor het aansteken van de gasbarbecue de BISTRO aansteker van Bodum. Steek de barbecue nooit van bovenaf aan, maar gebruik de luchtgaten of ontstekingsgaten zoals weergegeven in Figuur D.
- Gebruik een spatel (BODUM® FYRKAT barbecuespatel) of tang (BODUM® FYRKAT barbecuetang) om het voedsel op de barbecue te keren. Prik liever geen scherpe vorken of tangen in het vlees, aangezien hierdoor vleessappen en smaak kunnen ontsnappen.
- U kunt het voedsel op de barbecue het beste slechts één maal keren. Volg de aanwijzingen in het recept.

GASVERBINDING

- Gebruik wergwerpflessen of butaan/propaan met een minimumvulgewicht van 430 g en een maximumvulgewicht van 460 g. De flessen moeten een ventiel met schroefdraad hebben volgens EN417.

WAARSCHUWING: Gebruik alleen gasflessen waarop staat dat of een mengsel van butaan en propaan bevatten.

- Druk de gasfles in de regelaar en draai de gasfles met de klok mee zoals weergegeven in Figuur C, tot deze stevig vastzit.

LET OP: draai de gasfles alleen met de hand vast. Door het gebruik van overmatig veel kracht kunnen beschadigingen optreden aan de regelaar (8) en het ventiel van de gasfles. Hierdoor kan een lek of een verstopping ontstaan.

CONTROLLEREN OP GASLEKKEN

U HEBT HET VOLGENDE NODIG:

Wegwerpgasfles, zeepsop en een doek of borstel om het sop aan te brengen.

De volgende verbindingen moeten worden gecontroleerd op lekken: de verbinding tussen de brander en de regelaar (14) en de verbinding tussen de gasfles en de regelaar (15), zie FIGUUR D.

- 1) Sluit de gasfles op de regelaar (8) aan zoals weergegeven in FIGUUR C.
- 2) Meng afwasmiddel en water.
- 3) Maak de bovenstaande verbindingen nat met zeepsop.
- 4) Draai de regelaar tegen de klok in, naar ON (aan).
- 5) Controleer of er lekken zijn. Als zich luchtbellenvormen, of als een luchtbel groter wordt, is er een lekkage. Als u een lek vindt, draai dan de regelaar (8) naar OFF en draai de gasfles nog wat steviger aan. Zet de regelaar (8) weer op ON en controleer de verbinding nogmaals met zeepsop. Als er nog steeds een lek is, zet de regelaar (8) dan weer op OFF en verwijder de gasfles. Probeer een andere gasfles. Als er nog steeds een lek is, neem dan contact op met uw verkoper. **GEBRUIK DE BARBECUE NIET.**
- 6) Zet de regelaar (8) op OFF na het voltooien van de test op lekken, en reinig de verbinding tussen de brander en de regelaar (14) en de verbinding tussen de gasfles en de regelaar (15) met een vochtige doek. FIGUUR D

HANDMATIGE ONTSTEKING

- 1) Zet altijd eerst de deksel open voordat u de barbecue aansteekt. Steek deze nooit aan met een gesloten deksel.
- 2) Controleer of de regelaar (8) op OFF staat.
- 3) Gebruik voor het aansteken van de gasbarbecue de BISTRO aansteker van Bodum. Steek de aansteker aan en houd de vlam in een van de twee aansteekopeningen onder aan de brander, zoals weergegeven in Figuur D.

LET OP: ga niet boven de open barbecue staan. Houd uw gezicht en lichaam tenminste 30 cm van de aansteekopening verwijderd terwijl u de barbecue aansteekt.

- 4) Zet de regelaar (8) voor de brander (9) op ON.
- 5) Kijk door het grillrooster om te controleren of de brander (9) aan is. Er moet een blauwe vlam zichtbaar zijn.

WAARSCHUWING: als u de deksel niet open zet tijdens het aansteken, of als u geen 5 minuten wacht om het gas te laten vervliegen nadat het aansteken is mislukt, loopt u het risico op een explosieve steekvlam met mogelijk ernstig of zelfs dodelijk letsel.

REINIGEN

- 1) De regelaar moet op OFF staan en de barbecue moet zijn afgekoeld.
- 2) Open de deksel (2).
- 3) Verwijder het grillrooster (3).
- 4) Maak de drie M4-schroeven (4) van het vlammschild (5) los. Verwijder de M4-schroeven (4) en het vlammschild (5).
- 5) Verwijder de etensresten uit het grillbekken (6) en maak het grillbekken (6) en het vlammschild (5) schoon met een mild reinigingsmiddel en water.
- 6) Het grillrooster hoeft niet na elk gebruik te worden gereinigd. Borstel eventuele etensresten weg met een koperen staalborstel of een prop aluminiumfolie en neem het rooster vervolgens af met een papieren doek.
- 7) Plaats na het schoonmaken het vlammschild (5) terug volgens de «MONTAGE-INSTRUCTIES».

OPSLAG

- Als de draagbare gasbarbecue niet wordt gebruikt, moet de gasfles worden opgeslagen op een goed-geventileerde plaats, buitenshuis.
- De gasbarbecue moet, voordat deze weer in gebruik wordt genomen, eerst worden gecontroleerd op lekken en verstoppingen bij de brander (9).
- Controleer of de luchtgaten (13) niet zijn beschadigd.**FIGUUR D**

BARBECUETIPS

Lees de gebruiksaanwijzing geheel door voordat u begint met barbecueën. De deksel is een belangrijk onderdeel van de BODUM® Draagbare Gasbarbecue en moet tijdens het bereiden van voedsel altijd gesloten blijven. Het voedsel is dan één derde sneller klaar in vergelijking met een gewone oven, aangezien er constant hete lucht rond het voedsel stroomt. Het voedsel moet halverwege de bereiding eenmaal worden omgedraaid.

REDEKEN OM MET GESLOTEN DEKSEL TE GRILLEN:

- Geen te grote vlammen: als de deksel gesloten is, kunnen de vlammetjes niet plotseling opflakkeren.
- Snel grillen: De BODUM® Draagbare Gasbarbecue is speciaal ontworpen om warmte vast te houden. De warmte wordt door alle oppervlakken (vooral door de deksel) teruggekaatst naar het voedsel, zodat de bereidingstijd aanzienlijk korter is.

ALS U DE BODUM® DRAAGBARE GASBARBECUE EENMAAL PER JAAR GRONDIG SCHOONMAAKT, GAAT DEZE VEEL LANGER MEE. VOER DE VOLGENDE EENVOUDIGE STAPPEN UIT:

- Controleer of de barbecue is afgekoeld.
- Controleer of de regelaar (8) op OFF staat.
- Verwijder het grillrooster.
- Veeg het grillbekken (6) schoon met een doek. Eventuele etensresten kunt u in de vetopvangbak (12) vegen.
- Verwijder de etensresten en het vet uit de vetopvangbak.
- Maak de buitenkant van de barbecue schoon met een vochtige doek.
- Het grillrooster hoeft niet na elk gebruik te worden gereinigd. Borstel eventuele etensresten weg met een koperen staalborstel of een prop aluminiumfolie en neem het rooster vervolgens af met een papieren doek.

TECHNISCHE GEGEVENS

Nominaal vermogen	2,9kW (210g/u)
Gastype	Butaan/Propan
Keurmerken	CE



Ett varmt mottagande utomhus!

Vad hör mer till våren och sommaren än att äta utomhus? Och vad kan då överträffa nöjet av en verkligt förstklassig barbecue? Vad du än föredrar – en stadig biff, en saftig varmkorv eller grillade grönsaker – med en BODUM® Picknick Gas BBQ «FYRKAT» har du gjort rätt val för en sommar i gott sällskap. En barbecue är nog den enda kulinära tillställningen där ordspråket «Ju flera kockar, dess sämre soppa» inte gäller: Vid utegrillen arbetar många kockar tillsammans. Om du inte är alltför förtjust i feta såser är grillad mat inte bara oöverträffat läcker, men även lätt och hälsosam, särskilt om du väljer magert kött, fisk och grönsaker.

Vi önskar dig en smaklig måltid!

Återstår oss endast att be dig läsa dessa anvisningar noggrant, eftersom de innehåller viktiga säkerhetsanvisningar och varningar vid sidan av praktiska grilltips, och - naturligtvis - att önska dig en härlig sommar.

Med hjärtliga hälsningar från BODUM® Design Team

MONTERINGSANVISNINGAR

UPPSTÄLLNING AV GRILLEN

- 1 Handtag
- 2 Lock
- 3 Grillgaller
- 4 Skruvar M4 (3 st.)
- 5 Flamfördelare
- 6 Grillskål
- 7 Spärrklämma
- 8 Reglage
- 9 Brännare
- 10 Stödben (3 st.)
- 11 Fäste för droppskål (3 st.)
- 12 Droppskål
- 13 Luftöppning
- 14 Koppling mellan brännare & reglage
- 15 Koppling mellan gasolflaska & reglage

FIGUR A

Sätt grillskålen (6) försiktigt upp och ned på ett jämnt underlag och montera de tre stödbenen (10) mot grillskålen (6). Använd den förmonterade skruven M6 för varje stödben och skruva in stödbenet (10) tills det sitter stadigt. Dra åt alla skruvar på grillen så att alla delar sitter fast.

FIGUR B

Placera droppskålen (12) upp och ned mitt emellan de tre stödbenen (10). Montera droppskålens tre fästen (11) på stödbenen (10). Droppskålens fästen (11) kan enkelt skjutas över stödbenen (10) genom att klämma de båda öglorna mot varandra. Droppskålen (12) kläms nu på plats mellan stödbenet (10) och fästet (11). Kontrollera att droppskålen (12) befinner sig ca. 6 cm från grillskålen (6).

FIGUR C

När du har monterat stödbenen (10) & droppskålen (12) på din BODUM® Picknick Gas BBQ gasolgrill, ställer du grillen på ett jämnt och stadigt underlag. Placera flamfördelaren (5) på de tre därtill avsedda stödplattorna och montera den på stöden med de bifogade skruvarna M4 (4). Dra åt alla skruvar ordentligt så att flamfördelaren (5) sitter stadigt.

Montera reglaget (8) på brännaren (9) med muttern M6. Dra åt muttern för reglaget (8) ordentligt, så att reglaget (8) sitter stadigt på brännaren (9).

När monteringen är färdig placerar du grillgallret (4) på grillskålen (6).

För att transportera din BODUM® Picknick Gas BBQ, placerar du locket (3) på grillskålen (6) och klämmer den stadigt på plats med de tre spärrklämmorna (7). Bär grillen vid handtaget (1). Grillen får aldrig flyttas medan den är het. Låt den alltid först svalna ordentligt. Sätt alltid reglaget (8) på OFF innan grillen förflyttas.

VARNINGAR & SÄKERHETSANVISNINGAR

Om dessa säkerhetsanvisningar och varningar inte iakttas kan materialskada eller allvarlig och eventuellt dödlig kroppsskada uppstå.

- Använd inte grillen inomhus! Denna BODUM® Picknick GAS BBQ är endast avsedd för utomhusbruk. Vid bruk inomhus kan giftiga gaser bildas.
- Placera din BODUM® Picknick Gas BBQ på ett stadigt underlag före bruk. Gasolgrillen får aldrig lutas eller placeras på ett sluttande underlag!
- Varning! Använd aldrig T-sprit, bensin eller liknande vätskor för tändning eller återtändning! Använd endast tändprodukter som uppfyller EN1860-3!
- Låt aldrig barn eller husdjur vara utan tillsyn i närheten av en het grill.
- Håll brännbara material minst 1,5 meter undan från grillen.
- Placera inte grillen på ett brännbart underlag.
- Förvara aldrig tomma eller extra gasolflaskor under grillen eller i dess direkta närhet.
- Felaktig montering kan orsaka risker. Håll alltid monteringsanvisningarna i denna bruksanvisning nära till hands.
- När gasolgrillen har varit undanställd eller ur bruk under längre tid måste den alltid synas på gasläckage och täppning av brännaren (9) innan den används igen. Anvisningar för detta kan återfinnas under "Syna på gasläckage".
- Bär inte kläder med långa, vida ärmar när du grillar.
- Om lågan vid brännaren (9) skulle slockna under bruk, ska du vrida reglaget (8) till OFF och öppna locket.
- Använd aldrig träkol, briketter eller lavastenar i din Picknick gasolgrill.
- Om fett börjar brinna, vrider du reglaget (8) till OFF och väntar tills elden har slocknat.
- För att flytta grillen lyfter du den vid handtaget (1) och ställer den på den önskade platsen. Försök aldrig flytta grillen medan den är het! Vänta tills den har svalnat innan du lyfter eller flyttar den.
- Din BODUM® Picknick gasolgrill får inte användas som kamin.
- Din BODUM® Picknick gasolgrill är inte avsedd att installeras eller användas i en husvagn, husbil eller ombord på en båt.
- Var försiktig så att du inte skadar munstycket eller kopplingar när du rengör reglaget (8) eller brännaren (9).
- Butan/propan är inte naturgas. Alla ändringar av grillen för bruk med naturgas och alla försök att använda denna butan/propangrill med naturgas medför stora risker och gör att garantin förfaller.
- En bucklig eller rostig gasolflaska kan medföra risker och bör kontrolleras av din gasolleverantör. Använd aldrig en gasolflaska med en skadad ventil.
- Det kan finnas gas kvar i gasolflaskor som verkar vara helt tomma. Tänk på detta vid transport och förvaring av gasolflaskor.
- Försök aldrig under några omständigheter ta lös reglaget (8) eller någon annan del av gasledningen medan grillen är i bruk.
- Flytta alltid undan locket i sidled under grillning - istället för att lyfta det uppåt - annars kan sugverkan uppstå.
- Använd endast reglaget(8) som medföljer gasolgrillen.
- Använd inte grillen i blåsig väder.
- Endast för utomhusbruk.
- **FÖRSIKTIGT:** Gasolflaskor får aldrig användas upp och ned.
- Använd butan/propanflaskor av engångstyp med en fyllnadsvikt på minimalt 430 g och maximalt 460 g. Flaskorna måste vara försedda med en gängad ventil som uppfyller EN417.
- Använd aldrig en öppen låga till att söka efter en gasläcka. Se innan du börjar söka en läcka till att inga gnistor eller öppna lågor finns i närheten. Gnistor och lågor kan utlösa en explosion, vilket i sin tur kan orsaka materialskada eller allvarlig och eventuellt dödlig kroppsskada.
- Gasolflaskans koppling ska endast dras åt för hand. Om du utövar för stor kraft kan reglagets koppling och gasolflaskans ventil skadas.
Detta kan i sin tur orsaka läckage eller hindra gasflödet.
- Avlägsna locket när du tänder grillen och lämna den öppen när den börjar brinna.
- Vidrör aldrig grillen eller gallret för att känna om de är heta.
- Bär alltid ugn- eller grillhandskar eller använd en pannlapp när du grillar för att skydda dina händer.
- Använd grillbestick med långa, värmebeständiga handtag.
- Håll elektriska sladdar undan från heta ytor.
- Kläd inte grillen med aluminiumfolie, detta kan hindra luftflödet.
- Använd inga vassa föremål eller slipande rengöringsmedel till att rengöra grillgallret och grillen, dessa kan skada ytan.

PRAKTISKA TIPS

- Använd en BISTRO tändare från Bodum till att tända gasgrillen. Tänd aldrig grillen från ovansidan. Använd i stället ventilationshålen eller tändningsöppningarna, se figur D.
- Använd en spade (BODUM® FYRKAT grillspade) eller tång (BODUM® FYRKAT grilltång) till att vända ingredienserna på grillen. Undvik att sticka i köttet med vassa föremål, eftersom saft och smak då kan rinna undan.
- Ingredienserna bör helst endast användas en gång. Följ tipsen i ditt recept.

GASANSLUTNING

- Använd butan/propanflaskor av engångstyp med en fyllnadsvikt på minimalt 430 g och maximalt 460 g. Flaskorna måste vara försedda med en gängad ventil som uppfyller EN417.

FÖRSIKTIGT: Använd endast gasolflaskor vars etikett anger att de innehåller en butan/propanblandning.

- Tryck in engångsflaskan med flytande gasolbränsle i reglaget och vrid flaskan medurs tills den sitter stadigt på plats, se figur C.

OBS: Gasolflaskans koppling ska endast dras åt för hand. Om du utövar för stor kraft kan reglaget (8) och ventilen på gasolflaskan skadas. Detta kan i sin tur orsaka läckage eller hindra gasflödet.

SYNA PÅ GASLÄCKAGE:

ERFORDRAT MATERIAL:

Engångsflaska med flytande gasolbränsle, tvållösning och en trasa eller borste för att anbringa lösningen. Följande anslutningar måste synas på gasläckage: Kopplingen mellan brännaren och reglaget (14) och kopplingen mellan gasolflaskan och reglaget (15), FIGUR D.

- 1) Anslut gasolflaskan till reglaget (8) enligt FIGUR C.
- 2) Blanda tvål och vatten.
- 3) Fukta ovanstående anslutningar med tvållösningen.
- 4) Vrid gasreglagets knapp moturs till ON.
- 5) Syna på läckage. Läckage föreligger om bubblor bildas eller om en bubbla börjar växa. Vrid i så fall reglaget (8) till OFF och dra åt gasolflaskans anslutning stadigare. Vrid tillbaka reglaget (8) till ON och kontrollera på nytt med hjälp av tvållösningen. Om du fortfarande konstaterar läckage, vrider du åter reglaget (8) till OFF och avlägsnar gasolflaskan. Försök igen med en annan gasolflaska. Kontakta din återförsäljare om läckage fortfarande föreligger.

ANVÄND INTE GRILLEN.

- 6) Vrid reglaget (8) till OFF när du har avslutat kontrollen och rengör sedan anslutningen mellan brännaren och reglaget (14) och anslutningen mellan gasolflaskan och reglaget (15) med en fuktig trasa. FIGUR D

TÄNDNING FÖR HAND

- 1) Öppna alltid locket innan du tänder grillen. Gasolgrillen får aldrig tändas med locket stängt.
- 2) Kontrollera att reglaget (8) står på OFF.
- 3) Använd en BISTRO tändare från Bodum till att tända grillen. Tänd tändaren och för in lågan i en av de båda tändningsöppningarna under brännaren, se figur D.

OBS: Böj dig inte över den öppna grillen. Håll ansiktet och kroppen minst 30 cm undan från tändningsöppningen medan du tänder grillen.

- 4) Vrid reglaget (8) för brännaren (9) till ON.
- 5) Kontrollera genom grillgallret att brännaren (9) är tänd. Du ska då se en blå låga.

FÖRSIKTIGT: Om du inte har locket öppet medan du tänder grillen, eller om du försummar att vänta i 5 minuter så att gasen kan spridas om grillen inte tänds, kan du löpa risken att det bildas explosiva lågor, vilket i sin tur kan orsaka allvarlig och eventuellt dödlig kroppsskada.

RENGÖRING

- 1) Se till att reglaget står på OFF och att grillen har svalnat.
- 2) Öppna locket (2).
- 3) Tag ut grillgallret (3).
- 4) Lossa de tre skruvarna M4 (4) för flamfördelaren (5). Tag ut skruvarna M4 (4) och flamfördelaren (5).
- 5) Avlägsna alla matrester ur grillskålen (6) och rengör grillskålen (6) och flamfördelaren (5) med vatten och ett mildt rengöringsmedel.
- 6) Grillgallret behöver inte rengöras efter varje användning. Det räcker att torka av rester med en mässingborste eller med skrynklad aluminiumfolie och därefter torka av med hushållspapper.
- 7) Sätt efter rengöring tillbaka flamfördelaren (5) enligt avsnittet «MONTERINGSANVISNINGAR».

FÖRVARING

- När din Picknick gasgrill inte används är det viktigt att gasolflaskan förvaras på en väl ventilerad plats utomhus.
- Gasolgrillen måste före bruk synas på gasläckage och täppning av brännaren (9).
- Syna luftöppningarna (13) på skada. **FIGUR D**

GRILLTIPS

Läs alla anvisningar noggrant innan du börjar grilla. Locket är en viktig del av din BODUM® Picknick Gas BBQ och ska alltid hållas stängt medan du grillar ingredienser. Beredningstiden reduceras med upp till en tredjedel jämfört med en vanlig ugn, eftersom het luft hela tiden strömmar längs ingredienserna under grillning. Ingredienserna på grillen ska vändas en gång, halvvägs genom grillprocessen.

DÄRFÖR ÄR DET VIKTIGT ATT DU GRILLAR MED LOCKET STÄNGT:

- Inga blossande lågor: Med locket stängt kan inga lågor blossa upp.
- Snabb grillning: Denna BODUM® Picknick Gas BBQ är optimalt konstruerad för att hålla kvar värmen. Värmen reflekteras tillbaka mot ingredienserna från alla ytor (och särskilt från locket), så att grillningstiden reduceras avsevärt.

DU KAN FÖRLÄNGA DET PRAKTISKA BRUKSLIVET FÖR DIN BODUM® PICKNICK GAS BBQ MED FLERA ÅR GENOM ATT RENGÖRA DEN NOGGRANT VARJE ÅR. FÖLJ DESSA ENKLA STEG:

- Se till att grillen har svalnat.
- Kontrollera att reglaget (8) står på OFF.
- Avlägsna grillgallret.
- Torka ur grillskålen (6) med en trasa. Alla grillrester kan torkas undan till droppskålen (12).
- Avlägsna grillrester och fett ur droppskålen.
- Torka grillens utsida med en fuktig trasa.
- Grillgallret behöver inte diskas varje gång grillen har använts. Lösgör endast alla matrester med en mässingborste eller med skrynklad aluminiumfolie och torka sedan rent med hushållspapper.

TEKNISKA DATA

Nominell effekt	2,9kW (210g/h)
Gastyp	Butan/Propan
Godkännanden	CE



As nossas calorosas saudações ao ar livre!

Que outra ideia associamos mais rapidamente na primavera e no verão senão comer ao ar livre? E o que é mais perfeito do que o prazer de um churrasco realmente de primeira classe? O que preferir - um bom bife, uma salsicha suculenta ou legumes grelhados - com o BODUM® Picnic Gas BBQ «FYRKAT» você fez a escolha certa para um verão a confraternizar. Um churrasco é provavelmente o único evento culinário em que se aplica o provérbio: "Muitos cozinheiros estragam a sopa": Quando se faz um churrasco muitos cozinheiros estão a trabalhar. Se, por acaso, não gosta muito de molhos muito ricos, os alimentos grelhados não só são extraordinariamente saborosos, mas também saudáveis e leves, sobretudo se usar carnes magras, peixe ou legumes.

Desejamos-lhe bon appétit!

O que gostaríamos de fazer agora é pedir-lhe que leia com atenção estas instruções porque contém avisos de segurança e de prevenção importantes, assim como alguns dicas úteis para o seu churrasco e ainda - é claro - desejar-lhe um espectacular verão.

Com os melhores votos da Equipa de Design BODUM® D

INSTRUÇÕES DE MONTAGEM

MONTAR O GRELHADOR

- 1 Punho
- 2 Tampa
- 3 Grelha
- 4 Parafusos M4 (3 unidades)
- 5 Domador de chama
- 6 Taça do grelhador
- 7 Grampo de fecho
- 8 Regulador
- 9 Queimador
- 10 Perna de suporte (3 unidades)
- 11 Fixação do tabuleiro de gordura (3 unidades)
- 12 Tabuleiro de gordura
- 13 Abertura do ar
- 14 Ligação entre queimador e regulador
- 15 Ligação entre a garrafa do gás e o regulador

FIGURA A

Coloque a taça do grelhador (6) com cuidado de pernas para o ar numa superfície plana, fixando cada uma das três pernas com os grampos (10) à taça (6). Use um parafuso M6 pré-montado em cada perna de suporte e aparafuse à perna (10) até estar bem fixo. Aperte todos os parafusos do grelhador para que todas as peças fiquem bem fixas.

FIGURA B

Coloque o tabuleiro da gordura (12) ao contrário no centro das três pernas de suporte (10). Encaixe as três fixações do tabuleiro de gordura (11) nas pernas de suporte (10). As fixações do tabuleiro de gordura (11) podem deslizar por cima das pernas de suporte (10) pressionando ligeiramente os dois olhais ao mesmo tempo. O tabuleiro de gordura (12) está agora encaixado com a ajuda da perna de suporte (10) e a fixação do tabuleiro de gordura (11). Verifique se o tabuleiro de gordura (12) está no sítio e a uma distância de cerca de 6 cm da taça do grelhador (6).

FIGURA C

Depois de fixar as pernas de suporte (10) e o tabuleiro de gordura (12) do seu BODUM® Picnic Gas BBQ, coloque o seu grelhador numa superfície plana e firme. Coloque o domador de chamas (5) nas três chapas destinadas para o efeito e monte-as nos suportes com os parafusos M4 (4) fornecidos. Aperte todos os parafusos do grelhador para que o domador de chamas (5) fique bem seguro.

Monte o regulador (8) no queimador (9) com a porca M6. Aperte a porca do regulador (8) para que o regulador (8) fique bem seguro ao queimador (9).

Quando a montagem estiver concluída, coloque a grelha (4) na taça do grelhador (6).

Para poder transportar o seu BODUM® Picnic Gas BBQ, coloque a tampa (3) na taça do grelhador (6) e fixe-a com firmeza com a ajuda dos três grampos de fecho (7). Transporte o grelhador pelo punho (1). O grelhador nunca deve ser transportado enquanto quente. Deixe sempre o grelhador arrefecer completamente. Desligue (OFF) sempre o regulador (8) antes de transportar o grelhador.

INFORMAÇÃO SOBRE RISCOS E SEGURANÇA

A não observância destas instruções de segurança ou das precauções aqui indicadas pode originar lesões graves ou danos.

- Nunca o use o grelhador dentro de casa! O BODUM® Picnic Gas BBQ destina-se exclusivamente a utilização exterior. Se usado dentro de casa podem-se formar fumos tóxicos.
- Coloque o seu BODUM® Picnic Gas BBQ numa base segura antes de usar. A grelha do gás nunca deve estar inclinada nem tombada!
- Aviso! Nunca use bebidas alcoólicas, petróleo, gasolina ou outros líquidos semelhantes para acender ou reacender! Use apenas gravetos em conformidade com a norma EN1860-3!
- Crianças e animais não devem ficar perto do grelhador sem vigilância.
- Tanto o grelhador como os materiais inflamáveis devem ficar afastados de, pelo menos, a cerca de 1,5 m.
- Não coloque o grelhador sobre uma superfície inflamável ou sobre vidro.
- Nunca guarde quaisquer peças ou garrafas de gás abertas por baixo ou perto do grelhador.
- Uma montagem mal feita pode ser perigosa. Guarde sempre as instruções de montagem junto de si no caso de necessitar de consultá-las.
- Depois de ter guardado o grelhador a gás algum tempo ou se não o tiver usado durante um período longo, verifique sempre se há fugas de gás e bloqueios do queimador (9) antes de voltar a usar. Encontrará as instruções no título "Verificar fugas de gás"
- Não use roupa com mangas largas e compridas quando estiver a grelhar.
- Se a chama do queimador (9) se extinguir durante a utilização do grelhador, gire o regulador (8) para OFF (desligado) e abra a tampa.
- Nunca use carvão, briquetes ou pedra de lava no seu grelhador a gás.
- Se as gorduras começarem a queimar, gire o regulador (8) para OFF (desligado) e aguarde até que o fogo esteja extinto.
- Para mudar o grelhador de sítio, pegue no punho (1), e ponha-o onde desejar. Nunca mude o grelhador de sítio enquanto estiver quente! Aguarde até que o grelhador tenha arrefecido e antes de o mover ou erguer.
- O grelhador BODUM® Picnic Gas BBQ não deve ser usado como aquecedor.
- O BODUM® Picnic Gas BBQ não deve ser montado ou utilizado em caravanas, tendas de campismo ou barcos.
- Sempre que limpar o regulador (8) ou o queimador (9) veja se os bocais e as ligações não estão danificadas.
- O gás butano/propano não são gás crude. Qualquer modificação do grelhador para trabalhar com gás crude e qualquer tentativa de usar este grelhador a gás butano/propano com gás crude é perigosa e anulará a garantia do aparelho.
- Uma garrafa de gás enferrujada ou danificado pode ser perigosa e deve ser verificada pelo fornecedor do gás. Nunca use garrafas de gás com a válvula danificada.
- Pode ainda haver gás dentro da garrafa, embora pareça estar vazia. As garrafas de gás devem ser transportadas e guardadas tendo este facto em atenção.
- Nunca, em circunstância alguma, tente retirar o regulador (8) ou quaisquer outras peças da borracha do gás se estiver a usar o grelhador.
- Quando estiver a grelhar retire sempre a tampa para o lado - nunca a levante nem a baixe - porque a sucção pode ser perigosa.
- Use só o regulador (8) fornecido com o aparelho.
- Se estiver vento, não use o grelhador.
- Só para uso exterior.
- **ATENÇÃO:** O cartucho de gás nunca pode ser utilizado virado ao contrário.
- Use garrafas de gás butano/propano com um peso cheio mínimo de 430 g e um peso cheio máximo de 460 g. Devem estar equipadas com uma válvula de rosca de acordo com a norma EN417.
- Nunca procure uma fuga de gás com a ajuda de uma chama viva. Antes de procurar qualquer fuga, tenha cuidado em não provocar faíscas ou chama perto de si ou do grelhador. As faíscas e chamas vivas podem causar explosão, que por sua vez podem originar lesões graves ou mesmo fatais e danificar o grelhador.
- Aperte a ligação ao gás apenas manualmente. Se usar demasiada força pode danificar a ligação do regulador e a válvula do gás.
Pode com isso provocar uma fuga ou a não deixar passar o gás normalmente.
- Retire a tampa sempre que acender o grelhador e mantenha-o sem tampa quando começar a acender.
- Nunca toque na grelha ou em redor para verificar se estão quentes.
- Use sempre luvas de churrasco ou uma luva de ir ao forno, protegendo assim as suas mãos.
- Use os utensílios do grelhador com manípulos compridos e resistentes ao calor.
- Mantenha os cabos e fios eléctricos afastados de superfícies quentes.
- Não forre o seu grelhador com papel de alumínio porque isso impedirá a circulação do ar.
- Não use objectos afiados nem agentes de limpeza abrasivos para limpar o grelhador porque danificar a superfície.

DICAS ÚTEIS

- Quando acender o grelhador a gás use o acendedor BISTRO da Bodum. Nunca acenda o grelhador por cima mas só através dos orifícios de ventilação ou pelos orifícios de ignição como se vê na Figura D.
- Use uma espátula (espátula para grelhador BODUM FYRKAT) ou pinças (pinças de churrasco BODUM FYRKAT) para virar os alimentos na grelha. Não use objectos afiados para picar a carne porque deixará sair os sucos da carne e perderá sabor.
- De preferência, vire os alimentos só uma vez. Siga as dicas da sua receita.

LIGAÇÃO DO GÁS

- Use garrafas de gás butano/propano com um peso cheio mínimo de 430 g e um peso cheio máximo de 460 g. Devem estar equipadas com uma válvula de rosca de acordo com a norma EN417.

ATENÇÃO: Use somente garrafas de gás rotuladas que indiquem conter um misto de butano/propano.

- Empurre a garrafa de gás líquido descartável para o regulador e rode-a no sentido dos ponteiros do relógio, como se mostra na Figura C, até estar firmemente fixa.

NOTA: Aperte a ligação ao gás apenas manualmente. Se usar de força excessiva pode danificar o regulador (8) e a válvula da ligação de gás. Pode com isso provocar uma fuga ou a não deixar passar o gás normalmente.

VERIFICAR UMA FUGA DE GÁS:

NECESSITA DO SEGUINTE:

Garrafa de gás líquido descartável, solução de sabão e um pano ou escova para aplicar a solução.

É preciso verificar as seguintes ligações para ver se existe fuga de gás. A ligação entre o queimador e o regulador (14) e a ligação entre a garrafa de gás e o regulador (15) FIGURA D.

- 1) Fixe a garrafa de gás ao regulador (8) como se mostra na FIGURA C.
- 2) Misture o sabão com a água.
- 3) Humedeça as ligações acima indicadas com a solução de sabão.
- 4) Ligue o regulador (ON) no sentido dos ponteiros do relógio.
- 5) Veja se há fugas. Se houver formação de bolhas ou se uma bolha começa a ficar maior, é sinal que há uma fuga. Se houver uma fuga, desligue (OFF) o regulador (8) e aperte mais firmemente a ligação à garrafa. Ligue (ON) o regulador (8) e verifique novamente usando na mesma a solução de sabão. Se continuar a haver fuga, desligue (OFF) de novo o regulador (8) e retire a garrafa de gás. Experimente com outra garrafa de gás. Se continuar a haver fuga, contacte o agente. **NÃO USE O GRÉLHADOR.**
- 6) Desligue (OFF) o regulador (8) quando terminar o teste de fuga, limpe a ligação entre o queimador e o regulador (14) e a ligação entre a garrafa de gás e o regulador (15) com um pano húmido. FIGURA D

IGNIÇÃO MANUAL

- 1) Abra sempre a tampa antes de acender. O grelhador a gás nunca deve ser acendido com a tampa fechada.
 - 2) Verifique se o regulador (8) está desligado (OFF).
 - 3) Quando acender o grelhador a gás use o acendedor BISTRO da Bodum. Acenda o acendedor e ponha a chama junto a uma das duas aberturas de ignição por baixo do queimador, como se mostra na Figura D.
- NOTA:** Não se curve por cima do grelhador quando estiver destapado. Mantenha o rosto e o corpo afastados pelo menos 30 cm da abertura de ignição enquanto estiver a acender o grelhador.
- 4) Ligue (ON) o regulador (8) para o queimador (9).
 - 5) Verifique se o queimador (9) acendeu olhando pela grelha. Deverá ver uma chama azul.

ATENÇÃO: Se não abrir a tampa durante o processo de ignição, ou se não esperar 5 minutos para que os gases se dissipem se o grelhador não acender, há o risco de labaredas, o que pode causar lesões graves ou mesmo morte.

LIMPEZA

- 1) O regulador deve estar na posição OFF e o grelhador portátil a gás deve estar frio.
- 2) Abra a tampa (2).
- 3) Retire a grelha dos alimentos (3).
- 4) Desaperte os três parafusos M4 (4) do reflector de chamas (5). Retire os parafusos M4 (4) e o reflector de chamas (5).
- 5) Remova os restos de comida da cuba (6) e limpe a cuba (6) e o reflector de chamas (5) com um detergente suave e água.
- 6) A grelha não tem de ser limpa após cada utilização. Basta raspar os restos com uma escova de latão ou com um pedaço de película de alumínio amachucado e limpar depois com papel de cozinha.
- 7) Após a limpeza, volte a montar o reflector de chamas (5) de acordo com as «INSTRUÇÕES DE MONTAGEM»

COMO GUARDAR

- Se o grelhador a gás não estiver a ser usado é fundamental retirar a garrafa de gás e guardá-la em local bem ventilado e no exterior.
- Deve ver se existem fugas na grelha do gás ou se o queimador (9) está bloqueado antes de usar o grelhador.
- Verifique as aberturas de ar (13) para ver se há danos. **FIGURA D**

DICAS PARA GRELHAR

Leia com atenção as instruções e as dicas antes de começar a grelhar. A tampa é uma parte importante do BODUM® Picnic Gas BBQ e deve estar sempre fechada quando grelhar alimentos. Poupará até um terço do tempo de grelha comparativamente com um forno convencional porque o ar quente está sempre a fluir em torno do alimento que está a ser grelhado. Deve virar os alimentos apenas uma vez, a meio do grelhado.

EIS PORQUE DEVE GRELHAR COM A TAMPA FECHADA:

- Não há chamas vivas: Se a tampa estiver fechada não se podem formar chamas.
- Rapidez a grelhar: O BODUM® Picnic Gas BBQ armazena o calor. O calor reflecte-se em todas as superfícies (sobretudo pela tampa) e retorna ao alimento no grelhador e por isso o tempo de grelha reduz bastante.

PODERÁ PROLONGAR O TEMPO DE VIDA ÚTIL DO SEU BODUM® PICNIC GAS BBQ EM ALGUNS ANOS SE O LIMPAR IMPECAVELMENTE UMA VEZ POR ANO. BASTA SEGUIR ESTES PASSOS SIMPLES:

- Deixe o grelhador arrefecer.
- Verifique se o regulador (8) está desligado (OFF).
- Retire a grelha.
- Limpe bem a taça do grelhador (6) com um pano. Todos os resíduos que ficaram no grelhador devem ser removidos para o tabuleiro de gorduras (12).
- Remova os resíduos e gordura do tabuleiro de gorduras.
- Limpe o exterior da grelha com um pano húmido.
- A grelha não precisa de ser limpa sempre que for usada. Basta soltar quaisquer restos de comida com uma escova de arame ou com um pedaço de folha de alumínio e limpar com papel absorvente.

ESPECIFICAÇÕES TÉCNICAS

Saída nominal	2,9kW (210g/h)
Tipo de gás	Butano/Propano
Marcas de aprovação	CE



Lämpimästi tervetuloa ulkoilmaan!

Kun ajattelemme kevättä ja kesää, ensimmäisenä mieleen tulee ulkona syöminen. Ja mikä olisikaan täydellisempää kuin ensiluokkainen grillausnautinto? Mistä tahansa pidätkin – tukeva pihvi, mehevä makkara tai grillatut kasvikset – BODUM®-piknikkaasugrilli «FYRKAT» on oikea valinta sosiaaliseen kesään. Grillaaminen on todennäköisesti ainoa ruuanlaittotapahtuma, jolloin sanonta «Liian monta kokkia pilaa keiton» ei pidä paikkaansa: Grillaaminen työllistää useammankin kokin. Mikäli et anna runsaiden kastikkeiden vietellä itseäsi liian helposti, grillattu ruoka ei ole vain erittäin maukasta vaan myös terveellistä ja kevyttä, varsinkin jos käytät vähärasvaista lihaa, kalaa ja kasviksia. Toivotamme sinulle hyvää ruokahalua!

Luethan nämä ohjeet huolellisesti läpi, koska ne sisältävät tärkeää tietoa turvallisuudesta ja vaaroista sekä hyödyllisiä grillausvinkkejä. Lisäksi haluamme tietenkin toivottaa sinulle loistavaa kesää.

Ystävällisin terveisin BODUM® Design-tiimi

KOKOAMISOHJEET

GRILLIN ASENNUS

- 1 Kädensija
- 2 Kansi
- 3 Grilliritilä
- 4 M4 ruuvi (3 kpl)
- 5 Liekkisuoja
- 6 Grillikulho
- 7 Lukituspidike
- 8 Säädin
- 9 Poltin
- 10 Tukijalka (3 kpl)
- 11 Rasvapellin kiinnitin (3 kpl)
- 12 Rasvapelti
- 13 Ilma-aukko
- 14 Polttimen ja säätimen välinen kytkentä
- 15 Kaasusäiliön ja säätimen välinen kytkentä

KUVA A

Aseta grillikulho (6) varovasti ylösalaisin tasaiselle pinnalle ja kiinnitä kaikki kolme tukijalkaa (10) grillikulhoon (6). Käytä yksi esiasennettu M6 ruuvi tukijalkaa kohti ja ruuvaa tukijalka (10) tiukasti kiinni. Kiristä kaikki grillin ruuvit, jotta kaikki osat on varmistettu.

KUVA B

Aseta rasvapelti (12) ylösalaisin kolmen tukijalan (10) keskelle. Sovita rasvapellin kolme kiinnitintä (11) tukijalkoihin (10). Rasvapellin kiinnittimet (11) voidaan sujauttaa tukijalkojen (10) päälle helposti painamalla kahta korvaketta yhteen. Tukijalka (10) ja rasvapellin kiinnittimet (11) puristavat nyt rasvapellin (12) paikoilleen. Varmista, että rasvapelti (12) on asetettu n. 6 cm etäisyydelle grillikulhosta (6).

KUVA C

Kiinnitettyäsi tukijalat (10) & rasvapellin (12) BODUM®-piknikkaasugrilliisi, aseta grilli tukevalle, tasaiselle alustalle. Aseta liekkisuoja (5) kolmelle tähän tarkoitukseen suunnitellulle tukilevyille ja kiinnitä ne käyttämällä M4 ruuvveja (4). Kiristä kaikki grillin ruuvit riittävän tiukasti, jotta liekkisuoja (5) on varmistettu.

Kiinnitä säädin (8) polttimeen (9) M6 mutterilla. Kiristä säätimen (8) mutteri tarpeeksi tiukasti, jotta säädin (8) on kiinnitetty tiukasti polttimeen (9).

Kun asennus on suoritettu, aseta grilliritilä (4) grillikulhoon (6).

Mikäli haluat kuljettaa BODUM®-piknikkaasugrilliäsi, aseta kansi (3) grillikulhon (6) päälle ja purista se tiukasti paikoilleen käyttämällä kolmea lukituspidikettä (7). Kanna grilliä kädensijasta (1). Grilliä ei saa koskaan kuljettaa kuumana. Anna sen aina jäähtyä täysin. Käännä säädin (8) aina OFF-asentoon ennen kuljettamista.

TIETOA VAAROISTA JA TURVALLISUUDESTA

Näiden turvaohjeiden ja varoitusten huomiotta jättäminen voi aiheuttaa vakavia vahinkoja ja loukkaantumisia tai jopa kuoleman.

- Älä käytä grilliä sisätiloissa! BODUM®-piknikkaasugrilli on suunniteltu ainoastaan ulkokäyttöön. Mikäli sitä käytetään sisätiloissa, saattaa muodostua myrkyllisiä höyryjä.
- Aseta BODUM®-piknikkaasugrillisi tasaiselle alustalle ennen käyttöä. Kaasugrilliä ei koskaan saa asettaa kaltevalle tasolle tai vinoon!
- Varoitus! Älä koskaan käytä spriiä, bensiiniä tai vastaavia nesteitä sytyttämiseen tai uudelleen sytyttämiseen! Käytä ainoastaan EN1860-3 mukaisia sytyttimiä!
- Lapset ja lemmikit eivät saa oleilla kuuman grillin läheisyydessä ilman valvontaa.
- Helposti syttyvät materiaalit tulee pitää vähintään 1,5 m etäisyydellä grillistä.
- Älä aseta grilliä helposti syttyvälle alustalle tai lasin päälle.
- Älä koskaan säilytä varakaasusäiliöitä tai avonaisia kaasusäiliöitä grillin alla tai sen läheisyydessä.
- Virheellinen kokoaminen voi aiheuttaa vaaran. Säilytä tämän ohjeen sisältämät kokoamisohjeet helposti saatavissa.
- Mikäli piknikkaasugrilli on ollut pitempään varastossa tai käyttämättä, tarkista grilli aina ennen käyttöä kaasuvuotojen ja polttimen (9) tukosten varalta. Löydät ohjeet tähän kohdasta "Tarkastus kaasuvuotojen varalta"
- Älä käytä grillatessasi pitkä- ja leveähihaisia vaatteita.
- Mikäli polttimen (9) liekki sammuu käytön aikana, käännä säädin (8) OFF-asentoon ja avaa kansi.
- Älä koskaan käytä hiiliä, brikettejä tai laavakiviä piknikkaasugrillissäsi.
- Mikäli rasva syttyy palamaan, käännä säädin (8) OFF-asentoon ja odota kunnes tuli on sammunut.
- Siirtääksesi grilliä nosta sitä kädensijasta (1) ja aseta se toivottuun paikkaan. Älä koskaan yritä siirtää grilliä, kun se on kuuma! Odota kunnes grilli on jäähtynyt ennen kuin siirrät tai nostat sitä.
- BODUM®-piknikkaasugrilliä ei saa käyttää lämmittimenä.
- BODUM®-piknikkaasugrilliä ei ole tarkoitettu asennettavaksi tai käytettäväksi matkailuvaunuissa, matkailuautoissa tai veneissä.
- Kun puhdistat säädintä (8) tai poltinta (9) varmista, että suuttimet ja kytkennät eivät ole vahingoittuneet.
- Butaani/propaani ei ole maakaasua. Grillin muuttaminen maakaasukäyttöiseksi sekä kaikenlaiset yritykset käyttää tätä butaani/propaanigrilliä maakaasulla ovat vaarallisia ja aiheuttavat takuun raukeamisen.
- Kolhiintunut tai ruosteinen kaasupullo voi olla vaarallinen ja se tulee tarkistuttaa kaasun toimittajalla. Älä koskaan käytä kaasupulloja, joiden venttiili on vahingoittunut.
- Kaasupullossa saattaa silti olla vielä kaasua, vaikka se vaikuttaa täysin tyhjältä. Kaasupulloja tulee kuljettaa ja varastoida tämä huomioon ottaen.
- Älä koskaan, missään olosuhteissa yritä irrottaa säädintä (8) tai muita kaasuputken osia grillin käytön aikana.
- Avaa kansi grillatessa aina sivusuunnassa - älä nosta sitä koskaan suoraan ylös - muutoin saattaa syntyä imua.
- Käytä ainoastaan säädintä (8), joka toimitettiin piknikkaasugrillin mukana.
- Älä grillaa tuulisella säällä.
- Ainoastaan ulkokäyttöön.
- **HUOMIO:** Kaasupulloa ei saa käyttää ylösalaisin käännettynä.
- Käytä kertakäyttöisiä butaani/propaanipulloja, joiden vähimmäinen täyspaino on 430 g ja maksimitäyspaino 460 g. Pulloissa tulee olla EN417 mukainen kierteellinen venttiili.
- Älä koskaan etsi kaasuvuotoja paljaan liekin avulla. Varmista ennen vuodon etsimistä, että lähistöllä ei ole kipinöitä tai paljaita liekkejä. Kipinät ja liekit voivat aiheuttaa räjähdyksen, joka voi johtaa vakaviin tai jopa kuolettaviin vammoihin sekä materiaalivahinkoihin.
- Kiristä pullon kytkentää ainoastaan käsin. Liiallisen voiman käyttö voi vahingoittaa säätimen kytkentää ja pullon venttiiliä.
Tämä saattaa aiheuttaa vuodon tai estää kaasua virtaamasta.
- Poista kansi sytyttäessä, äläkä peitä grilliä kun se alkaa palaa.
- Älä koskaan koske grilliin tai ritilään kokeillaksesi, ovatko ne kuumia.
- Käytä grillatessa aina grillauskinnasta tai käytä patalappuja suojataksesi käsiäsi.
- Käytä grillausvälineitä, joissa on pitkävartiset, kuumuutta kestävät kädensijat.
- Pidä sähköjohdot loitolla kuumilta pinnoilta.
- Älä vuoraa grilliäsi alumiinifoliolla. Se saattaa estää ilmankierron.
- Älä käytä teräviä esineitä ja hankaavia puhdistusaineita grilliritilän ja grillin puhdistamiseen, koska ne saattavat vahingoittaa pintaa.

HYÖDYLLISIÄ VINKKEJÄ

- Käytä Bodumin BISTRO-sytytintä kaasugrillin sytyttämiseen. Älä koskaan sytytä grilliä ylhäältä vaan ilmanvaihtoreikien tai sytytysreikien kautta kuten kuvassa D.
- Käytä lastaa (BODUM® FYRKAT -grillauslasta) tai pihtejä (BODUM® FYRKAT -grillauspihdit) kääntääksesi grillattavaa ruokaa. Älä käytä teräviä esineitä lihan lävistämiseen, koska se voi aiheuttaa lihanesteen ja maun haihtumisen.
- Käännä grillattavaa ruokaa mielellään vain kerran. Noudata reseptisi vinkkejä.

KAASUKYTKENTÄ

- Käytä kertakäyttöisiä butaani/propaanipulloja, joiden vähimmäinen täyspaino on 430 g ja maksimitäyspaino 460 g. Pulloissa tulee olla EN417 mukainen kierteellinen venttiili.

VAROITUS: Käytä ainoastaan kaasupulloja, joihin on merkitty, että ne sisältävät butaanikaasua tai propani/butaanisekoitusta.

- Paina kertakäyttöinen nestekaasupullo säätimeen ja käännä pulloa myötöpäivään kuten kuvassa C kunnes se on tiukasti paikoillaan.

HUOMIO: Kiristä pullon kytkentää ainoastaan käsin. Liiallisen voiman käyttö voi johtaa säätimen (8) ja pullon venttiin vahingoittumiseen. Tämä saattaa aiheuttaa vuodon tai estää kaasua virtaamasta.

TARKASTUS KAASUVUODON VARALTA:

TARVITSET:

Kertakäyttöisen nestekaasupullon, saippualliuosta ja liinan tai harjan liuoksen lisäämiseen.

On välttämätöntä tarkistaa seuraavat kytkennät kaasuvuodon varalta. Polttimeen ja säätimen (14) välissä oleva kytkentä ja kaasupullon ja säätimen (15) välissä oleva kytkentä KUVA D.

- 1) Liitä kaasupullo säätimeen (8) kuten KUVASSA C.
- 2) Sekoita saippua veteen.
- 3) Kostuta yllä mainitut kytkennät saippualliuoksella.
- 4) Käännä kaasusäädintä vastapäivään, ON-asentoon.
- 5) Tarkista vuotojen varalta. Mikäli muodostuu kuplia tai kuplat suurenevat, kaasua vuotaa. Mikäli vuoto on todettu, käännä säädin (8) OFF-asentoon ja kiristä pullon kytkentä tiukemmin. Käännä säädin (8) takaisin ON-asentoon ja tarkista uudelleen saippualliuoksen avulla. Mikäli vuoto jatkuu, käännä säädin (8) jälleen OFF-asentoon ja irrota kaasupullo. Kokeile toista kaasupulloa. Mikäli vuoto jatkuu, ota yhteys myyjäsi. **ÄLÄ KÄYTÄ GRILLIÄ.**
- 6) Käännä säädin (8) OFF-asentoon, kun vuoto testi on suoritettu ja puhdista polttimeen ja säätimen välinen kytkentä (14) sekä kaasupullon ja säätimen välinen kytkentä (15) kostealla liinalla. KUVA D

MANUAALINEN SYTYTYS

- 1) Avaa kansi aina ennen sytyttämistä. Kaasugrillia ei saa koskaan sytyttää kansi suljettuna.
- 2) Tarkista, että säädin (8) on OFF-asennossa.
- 3) Käytä Bodumin BISTRO-sytytintä grillin sytyttämiseen. Sytytä sytytin ja pidä liekkiä yhdessä sytytysaukoista polttimeen alla kuten kuvassa D.

HUOMIO: Älä kumarru avoimen grillin päälle. Pidä kasvosi ja kehosi vähintään 30 cm etäisyydellä sytytysaukoista grilliä sytytettäessä.

- 4) Käännä polttimeen (9) säädin (8) ON-asentoon.
- 5) Tarkista, että poltin (9) on päällä katsomalla grilliritilän lävitse. Sininen liekki tulee olla nähtävissä.

VAROITUS: Mikäli et avaa kantta sytytyksen yhteydessä tai et noudata 5 minuutin odotusaikaa, jolloin kaasuilla on aikaa haihtua, mikäli grilli ei syty, on mahdollista, että liekit leimahtavat räjähtävästi, mikä saattaa aiheuttaa vakavia tai jopa kuolettavia fyysisiä vammoja.

PUHDISTUS

- 1) Säätimen tulee olla OFF-asennossa ja piknikkaasugrillin kylmä.
- 2) Avaa kansi (2).
- 3) Ota grilliritilä (3) ulos.
- 4) Irrota liekkisuojan (5) kolme M4 ruuvia (4). Poista M4 ruuvit (4) ja liekkisuoja (5).
- 5) Poista ruuanjätteet grillikulhosta (6) ja puhdista grillikulho (6) ja liekkisuoja (5) miedolla puhdistusaineella ja vedellä.
- 6) Grilliritilää ei tarvitse puhdistaa jokaisen grillauskerran jälkeen. Irrota rippeet messinkiharjalla tai yhteenpuristetulla alumiinifoliolla ja pyyhi sitten talouspaperilla.
- 7) Kiinnitä liekkisuoja (5) puhdistuksen jälkeen «ASENNUSOHJEEN» mukaisesti.

SÄILYTYS

- Mikäli piknikkaasugrillia ei käytetä, on tärkeää, että kaasupulloa säilytetään hyvin ilmastoidussa tilassa, ulkotiloissa.
- Kaasugrilli tulee tarkastaa kaasuvuotojen ja polttimen (9) tukosten varalta ennen käyttöä.
- Tarkista ilma-aukot (13) vaurioiden varalta. **KUVA D**

GRILLAUSVINKKEJÄ

Lue ohjeet huolellisesti ennen kuin aloitat grillaamisen. Kansi on tärkeä osa BODUM®-piknikkaasugrillia ja se tulee pitää aina suljettuna grillauksen aikana. Säästät jopa kolmanneksen kypsennysajassa verrattuna tavalliseen uuniin, koska kuuma ilma pyörii jatkuvasti ruuan ympärillä grillauksen aikana. Grillattava ruoka on käännettävä kerran grillauksen puolivälissä.

SYYT GRILLAAMISEEN KANSI SULJETTUNA:

- Ei leimahtavia liekkiä: Kun kansi on suljettu, liekit eivät voi leimahtaa.
- Nopea grillaus: BODUM®-piknikkaasugrilli on suunniteltu optimaalisesti kuumuuden säilyttämiseen. Kuumuus heijastuu kaikista pinnoista (ennen kaikkea kannesta) takaisin grillattavaan ruokaan, joten grillausaika vähenee huomattavasti.

VOIT PIDENTÄÄ BODUM®-PIKNIKKAASUGRILLISI IKÄÄ USEILLA VUOSILLA, MIKÄLI PUHDISTAT SEN HUOLELLISESTI KERRAN VUODESSA. NOUDATA NÄITÄ HELPPOJA ASKELEITA:

- Varmista, että grilli on täysin jäähtynyt.
- Varmista, että säädin (8) on käännetty OFF-asentoon.
- Poista grilliritilä.
- Pyyhi grillikulho (6) liinalla. Kaikki grillausrippeet voidaan pyyhkiä rasvapellille (12).
- Poista grillausrippeet ja rasva rasvapelliltä.
- Pyyhi grillin ulkopinta kostealla liinalla.
- Grilliritilää ei tarvitse puhdistaa jokaisen käyttökerran jälkeen. Irrota rippeet messinkiharjalla tai yhteenpuristetulla alumiinifoliolla ja pyyhi puhtaaksi talouspaperilla.

TEKNISET TIEDOT

Nimellisteho	2,9kW (210g/h)
Kaasutyyppi	Butaani/Propaani
Tarkastusmerkintä	CE



Очень тепло приглашаем на открытый воздух!

С чем больше всего мы ассоциируем весну и лето, как не с пикником на открытом воздухе? И что может сравниться с первоклассным барбекю? Что бы вы ни захотели – сочный стейк, свежие сосиски или жареные овощи – с газовым грилем для пикника **BODUM® «FYRKAT»** вы сделаете правильный выбор для летних пикников. Вероятно барбекю является единственным кулинарным процессом, когда не применима поговорка «Слишком много поваров испортят блюдо»: В барбекю все повара при деле. Если вы не слишком увлекаетесь жирными соусами, пища, приготовленная на барбекю, будет не только вкусной, но также здоровой и легкой, особенно, если вы будете готовить нежирное мясо, рыбу и овощи. Мы желаем вам приятного аппетита!

Всё, что от вас сейчас необходимо, это прочитать внимательно данное руководство, так как он содержит важные инструкции по технике безопасности и предупреждения об опасных ситуациях, а также полезные советы для барбекю, и – конечно – пожелания вам провести чудесное лето.

С наилучшими пожеланиями от проектной группы **BODUM®**

ИНСТРУКЦИЯ ПО СБОРКЕ

СБОРКА ГРИЛЯ

- 1 Рукоятка
- 2 Крышка
- 3 Решетка гриля
- 4 Винты М4 (3 шт.)
- 5 Гаситель пламени
- 6 Котел гриля
- 7 Фиксирующий зажим
- 8 Регулятор
- 9 Горелка
- 10 Опора (3 шт.)
- 11 Скоба поддона для жира (3 шт.)
- 12 Поддон для жира
- 13 Отверстие для воздуха
- 14 Патрубок между горелкой и регулятором
- 15 Патрубок между газовым баллоном и регулятором

РИСУНОК А

Осторожно поместите котел гриля (6) верхней стороной вниз на ровную поверхность и закрепите три опоры (10) к котлу гриля (6). Используйте предварительно установленный винт М6 для каждой опоры и завинтите его в опору (10) до прочного закрепления. Затяните все винты гриля, так чтобы все детали были закреплены.

РИСУНОК В

Поместите поддон для жира (12) верхней стороной вниз по центру трех опор (10). Наденьте три скобы поддона для жира (11) на опоры (10). Скобы поддона для жира (11) можно легко сдвинуть вниз по опорам (10), потянув за два ушка. Теперь поддон для жира (12) фиксируется на месте опорой (10) и скобой поддона для жира (11). Убедитесь, что поддон для жира (12) установлен на расстоянии около 6 см от котла гриля (6).

РИСУНОК С

После крепления опор (10) и поддона для жира (12) к газовому грилю для пикника **BODUM®**, установите гриль на твердой, ровной поверхности. Установите гаситель пламени (5) на три опорные пластины, предназначенные для этой цели, и смонтируйте их на подставки с помощью винтов М4 (4). Затяните все винты гриля для прочного крепления гасителя пламени (5).

Смонтируйте регулятор (8) на горелке (9) с помощью гайки М6. Затяните гайку регулятора (8) для надежного крепления регулятора (8) на горелке (9).

После завершения сборки установите решетку гриля (4) на котле гриля (6).

Чтобы транспортировать газовый гриль для пикника **BODUM®**, установите крышку (3) на котле гриля (6) и зажмите прочно на месте с помощью трех фиксирующих зажимов (7). Носите гриль за рукоятку (1). Гриль нельзя транспортировать в горячем состоянии. Дайте ему полностью охладиться. Всегда выключайте регулятор (8) перед транспортировкой.

ОПАСНЫЕ ФАКТОРЫ И МЕРЫ ПРЕДОСТОРОЖНОСТИ

Несоблюдение данных инструкций по технике безопасности и мер предосторожности может привести к серьезным повреждениям, травмам или даже смертельному исходу.

- Не используйте гриль в помещении! Газовый гриль для пикника BODUM® предназначен для использования только на открытом воздухе. При использовании в помещении могут образовываться токсичные газы.
- Установите газовый гриль для пикника BODUM® на устойчивое основание перед его использованием. Газовый гриль нельзя наклонять или устанавливать на наклонной поверхности!
- Внимание! Не используйте спирт, бензин или подобные жидкости для начального или повторного розжига! Используйте только легковозгораемые вещества, которые соответствуют EN1860-3!
- Не оставляйте детей и животных без присмотра около горячего гриля.
- Гриль и воспламеняемые материалы следует держать на расстоянии не менее 1,5 м друг от друга.
- Не устанавливайте гриль на воспламеняемую поверхность или на стекло.
- Не храните запасные или открытые газовые баллоны под грилем или вблизи гриля.
- Неправильная сборка может привести к опасной ситуации. Держите инструкцию по сборке под рукой.
- После того, как газовый гриль для пикника был на хранении или длительное время не использовался, проверяйте гриль на утечки газа и горелку (9) на засорения перед использованием. Вы можете найти инструкции для этого в разделе «Проверка на утечку газа»
- При использовании гриля не надевайте одежду с длинными, широкими рукавами.
- Если пламя в горелке (9) нужно погасить во время использования, переключите регулятор (8) в положение ВЫКЛ и откройте крышку.
- Не используйте уголь, брикеты или базальтовую лаву в газовом гриле для пикника.
- Если жир начинает гореть, переключите регулятор (8) в положение ВЫКЛ и подождите, пока огонь не погаснет.
- Чтобы переместить гриль, поднимите его за рукоятку (1) и установите на нужное место. Не перемещайте гриль в горячем состоянии! Перед перемещением или подъемом гриля подождите, пока он остынет.
- Газовый гриль для пикника BODUM® нельзя использовать в качестве обогревателя.
- Газовый гриль для пикника BODUM® не предназначен для установки или использования в автофургонах, автоприцепах или на катерах.
- При очистке регулятора (8) или горелки (9) следите за тем, чтобы не повредить сопла и патрубки.
- Бутан/пропан не являются сырым газом. Любая модификация гриля для использования с сырым газом и любая попытка использовать с сырым газом данный гриль, предназначенный для бутана/пропана, сопряжены с опасностью и приведут к аннулированию гарантии.
- Газовый баллон с вмятинами и ржавчиной может представлять опасность и должен быть проверен поставщиком газа. Не используйте газовые баллоны с поврежденным клапаном.
- Газ еще может находиться в газовых баллонах, которые кажутся полностью пустыми. Газовые баллоны следует транспортировать, с учетом этого соображения.
- Ни при каких обстоятельствах не пытайтесь отсоединить регулятор (8) или любые иные детали газопровода при использовании гриля.
- При приготовлении на гриле всегда снимайте крышку в сторону - никогда не поднимайте ее вверх - иначе может возникнуть отсос газа.
- Используйте только регулятор (8), который поставляется в комплекте с газовым грилем для пикника.
- Не пользуйтесь грилем в ветреную погоду.
- Используйте гриль только на открытом воздухе.
- **ОСТОРОЖНО:** Газовый баллон нельзя использовать вниз насадкой.
- Используйте одноразовые баллоны или одноразовые бутан/пропановые баллоны с общим весом 430 г и максимальным общим весом 460 г. Баллоны должны быть оснащены клапаном с резьбой по стандарту EN417.
- Не пытайтесь найти утечку газа с помощью открытого пламени. Прежде чем искать утечку, убедитесь, что поблизости нет источников искр или открытого пламени. Искры или пламя могут вызвать взрыв, который может привести к тяжелым или даже смертельным травмам и нанести материальный ущерб.
- Затягивайте патрубок баллона только вручную. Излишние усилия могут повредить патрубок регулятора и клапан баллона.
Это может, в свою очередь, привести к утечке или препятствовать потоку газа.
- Снимайте крышку при розжиге и не закрывайте гриль, пока не начнется горение.
- Не касайтесь гриля или решетки, чтобы определить, не горячие ли они.
- Надевайте рукавицы для барбекю или используйте печные прихватки для защиты рук.
- Используйте принадлежности для гриля с длинными, теплостойкими рукоятками.
- Держите электрические кабели подальше от горячих поверхностей.
- Не обматывайте гриль алюминиевой фольгой, так как это может мешать потоку воздуха.
- При чистке решетки гриля не используйте острые предметы и абразивные чистящие средства, так как они могут повредить поверхность.

ПОЛЕЗНЫЕ СОВЕТЫ

- При розжиге газового гриля используйте зажигалку BISTRO от компании Bodum. Не разжигайте гриль сверху, а только через вентиляционные отверстия или отверстия для розжига, как показано на Рисунке D.
- Используйте лопатку (лопатку для барбекю BODUM® FYRKAT) или щипцы (щипцы для барбекю BODUM® FYRKAT) для переворачивания пищи барбекю. Старайтесь не использовать острые предметы для протыкания мяса, так как это может вызвать утечку мясного сока и приправ.
- По возможности, переворачивайте пищу барбекю только один раз. Следуйте советам в рецепте.

ПОДКЛЮЧЕНИЕ ГАЗА

- Используйте одноразовые баллоны или одноразовые бутан/пропановые баллоны с общим весом 430 г и максимальным общим весом 460 г. Баллоны должны быть оснащены клапаном с резьбой по стандарту EN417.

ОСТОРОЖНО: Используйте только газовые баллоны, на которых есть маркировка, что они содержат пропан/бутановую смесь.

- Вставьте одноразовый баллон с жидким газом в регулятор и поверните баллон по часовой стрелке, как показано на Рисунке C, до плотной посадки.

ПРИМЕЧАНИЕ: Затягивайте патрубок баллона только вручную. Излишние усилия могут повредить регулятор (8) и клапан баллона. Это может, в свою очередь, привести к утечке или препятствовать потоку газа.

ПРОВЕРКА НА УТЕЧКУ ГАЗА:

ВАМ НЕОБХОДИМО СЛЕДУЮЩЕЕ:

Одноразовый баллон с жидким газом, раствор мыла и тряпка или щетка для нанесения раствора.

Необходимо проверить следующие патрубки на утечку газа. Патрубок между горелкой и регулятором (14) и патрубок между газовым баллоном и регулятором (15), см. РИСУНОК D.

- 1) Закрепите газовый баллон на регуляторе (8), как показано на РИСУНКЕ C.
- 2) Смешайте мыло с водой.
- 3) Промокните соединение раствором мыла.
- 4) Поверните регулятор газа против часовой стрелки, в положение ВКЛ.
- 5) Проверьте утечки газа. Если образуются пузырьки, или если пузырек начинает расти, имеется утечка. Если имеется утечка, поверните регулятор (8) в положение ВЫКЛ и затяните патрубок баллона плотнее. Поверните регулятор (8) обратно в положение ВКЛ и снова проверьте утечку раствором мыла. Если утечка остается, поверните регулятор (8) снова в положение ВЫКЛ и снимите газовый баллон. Проверьте второй баллон. Если утечка остается, обратитесь к вашему дилеру. НЕ ПОЛЬЗУЙТЕСЬ ГРИЛЕМ.
- 6) Переключите регулятор (8) в положение ВЫКЛ, как только завершена проверка на утечку, и очистите патрубок между горелкой и регулятором (14) и патрубок между газовым баллоном и регулятором (15) влажной тряпкой. РИСУНОК D

РУЧНОЙ РОЗЖИГ

- 1) Всегда открывайте крышку перед розжигом. Газовый гриль нельзя разжигать при закрытой крышке.
- 2) Проверьте, что регулятор (8) находится в положении ВЫКЛ.
- 3) При розжиге гриля используйте зажигалку BISTRO от компании Bodum. Зажгите зажигалку и держите пламя в одном из двух отверстий для розжига под горелкой, как показано на Рисунке D.

ПРИМЕЧАНИЕ: Не наклоняйте открытый гриль. При розжиге гриля не приближайте лицо и тело ближе 30 см к отверстию для розжига.

- 4) Поверните регулятор (8) для горелки (9) в положение ВКЛ.
- 5) Проверьте, что горелка (9) включилась, посмотрев через решетку гриля. Должно быть видно голубое пламя.

ОСТОРОЖНО: Если вы не откроете крышку во время процесса розжига, или не подождете 5 минут, пока газ не рассеется, если гриль не разжжется, возникнет опасность взрывного выброса пламени, который может привести к тяжелым физическим или даже смертельным травмам.

ОЧИСТКА

- 1) Регулятор должен находиться в положении ВЫКЛ, а газовый гриль для пикника должен быть холодным.
- 2) Откройте крышку (2).
- 3) Выньте решетку гриля (3).
- 4) Открутите три винта М4 (4) на гасителе пламени (5). Выньте винты М4 (4) и гаситель пламени (5).
- 5) Удалите остатки пищи с котла гриля (6) и очистите котел гриля (6) и гаситель пламени (5) слабым моющим средством и водой.
- 6) Нет необходимости чистить решетку гриля после каждого использования. Остатки пищи поскреести латунной проволочной щеткой или скомканной алюминиевой фольгой и затем вытереть салфеткой.
- 7) Смонтировать гаситель пламени (5) после очистки согласно «РУКОВОДСТВУ ПО МОНТАЖУ»

ХРАНЕНИЕ

- Если газовый гриль для пикника не используется, необходимо хранить газовый баллон в хорошо проветриваемом месте, на открытом воздухе.
- Перед использованием газовый гриль следует проверить на утечки газа и засорения горелки (9).
- Проверьте отверстия для воздуха (13) на повреждения. РИСУНОК D

СОВЕТЫ ПО ПРИГОТОВЛЕНИЮ НА ГРИЛЕ

Прежде чем начать готовить на гриле, внимательно прочитайте все инструкции. Крышка является важной деталью газового гриля для пикника BODUM® и должна быть всегда закрытой во время жарки пищи. Вы сэкономите до одной трети времени, по сравнению с традиционной печью, благодаря постоянному потоку горячего воздуха вокруг пищи во время приготовления на гриле. Пищу барбекю следует перевернуть один раз, посередине срока приготовления на гриле.

НИЖЕ ПРИВЕДЕНЫ ПРИЧИНЫ ДЛЯ ПРИГОТОВЛЕНИЯ НА ГРИЛЕ ПРИ ЗАКРЫТОЙ КРЫШКЕ:

- Не вспыхивает пламя: При закрытой крышке не вспыхивает пламя.
- Быстрое приготовление барбекю: Газовый гриль для пикника BODUM® сконструирован для оптимального удержания тепла. Тепло отражается от всех поверхностей (прежде всего от крышки) обратно на пищу барбекю, так что время приготовления на гриле существенно сокращается.

МОЖНО ПРОДЛИТЬ СРОК СЛУЖБЫ ГАЗОВОГО ГРИЛЯ ДЛЯ ПИКНИКА BODUM® НА НЕСКОЛЬКО ЛЕТ, ЕСЛИ ТЩАТЕЛЬНО ЧИСТИТЬ ЕГО КАЖДЫЙ ГОД. СЛЕДУЙТЕ ДАННЫМ ПРОСТЫМ ШАГАМ:

- Убедитесь, что гриль охладился.
- Убедитесь, что регулятор (8) выключен.
- Снимите решетку гриля.
- Протрите котел гриля (6) тряпкой. Все остатки барбекю можно вытереть в поддон для жира (12).
- Удалите остатки барбекю и жир с поддона для жира.
- Протрите внешнюю сторону гриля влажной тряпкой.
- Нет необходимости чистить решетку гриля после каждого использования. Просто поскребите оставшуюся пищу латунной проволочной щеткой или скомканной алюминиевой фольгой и затем очистите салфеткой.

ТЕХНИЧЕСКИЕ ДАННЫЕ

Номинальная мощность 2,9 кВт (210 г/ч)

Тип газа Бутан/пропан

Знаки приемки CE



BODUM® SHOPS & SHOP-IN-SHOP**AUSTRALIA****SHOP-IN-SHOP**

Galerie, Bondi Junction (NSW)
 Il Mondo, Townsville (QLD)
 Kitchenware-Plus, Loganholme/
 Brisbane (QLD)
 Moda Aroma, Cairns (QLD)
 Peters of Kensington (NSW)
 Your Habitat, Hobart (TAS)
 Your Habitat, Canberra (ACT)
 Your Habitat, Launceston (TAS)
 Dallimores (WA)
 Inside Out (NSW)
 Roost (VIC)
 Cucina Cucina (NSW)
 MYER (NSW)
 MYER (QLD)
 MYER (SA)
 MYER (VIC)
 David Jones (NSW)
 David Jones (QLD)

AUSTRIA**BODUM® STORE**

Marc Aurel Strasse 2 b
 A-1010 Wien
 T +43 1 925 7999
 F +43 1 925 7999
 shop.wien@bodum.com

SHOP-IN-SHOP

Cusinarium, Singerstrasse 14,
 1010 Wien
 Herwig Gasser, Süsches vom Feinsten
 AG, Albertschweizergasse 4, 1140 Wien
 Slama, Mariahilferstrasse 71,
 1060 Wien
 Redl, Taubenmarkt Arkade Spittelwiese
 6, 4020 Linz
 Rechberger, Lastenstrasse 42, 4021 Linz
 Schildmeier, Gärtnerstrasse 6,
 4600 Wels
 Rösler + Wagner, Schärldingerstasse 63,
 4910 Ried
 Zur Küchenfee, Linzergassen 56, 5020
 Salzburg
 Brühwasser, Stadtplatz 56,
 5280 Brunau
 Putzenbacher, Anichstrasse 14,
 6020 Innsbruck
 Ortner und Stanger, Fürstenweg 66,
 6050 Innsbruck
 Eder, Franz-Josefs Platz 2 – 4,
 6332 Kufstein
 Tschofen, Rathhausgasse 2,
 6700 Bludenz
 Frühauf, Kaiserstrasse 15, 6900 Bregenz
 Klammerth, Herrengasse 7 – 9,
 8010 Graz
 Kastner & Öhler Sackstrasse 7 – 13,
 8021 Graz

PARTNERS

Interio Austria
 Kika
 Leiner
 Lutz

ONLINE SHOP AUSTRIA

www.bodum.com

BELGIUM**BODUM® OUTLET**

Maasmechelen Village
 Shop number 96
 Zetellaan 196
 3630 Maasmechelen
 T 00 32 89 773731
 F 00 32 89 773732
 shop.maasmechelen@bodum.com

SHOP-IN-SHOP

INNO, Antwerp
 INNO, Bruxelles, rue Neuve

CANADA**SHOP-IN-SHOP**

THE BAY (QUEENS STREET),
 176 Yonge Street, Toronto, ON,
 M5C 2L7
 THE BAY (MONTREAL),
 585 Rue Catherine Ouest,
 Montreal, QC, H3B 3Y5
 THE BAY (YORKDALE), 3401 Dufferin
 St., Toronto, ON, M6A 2T9
 THE BAY (BAYSHORE), 100 Bayshore
 Dr., Nepean, ON, K2B 8C1
 THE BAY (SOUTHCENTER), 100
 Anderson Rd. Southeast, Calgary, AB,
 T2J 3V1
 THE BAY (SOUTHGATE), 111 St. & 51
 Ave., Edmonton, AB, T6H 4M7
 THE BAY (MISSISSAUGA), 100
 City Court Drive, Hwy10 and
 Burnhamthorpe Road West,
 Mississauga, ON , L5B 2C9
 BOUTIQUE 1101 LAURIER,
 1101 Avenue Laurier Outermont,
 Montreal, QC, H2V 2L3
 HOMEWERX, 1053 Davie Street,
 Vancouver, BC, V6E 1M5
 CALL THE KETTLE BLACK, 2294 W. 4th
 Avenue, Vancouver, BC, V6K 1N8
 BRADSHAW'S, 129 Ontario St.,
 Stratford, ON, N5A 3H1
 JILL'S TABLE, 115 King St., London, ON,
 N6A 1C3
 POT EN CIEL, 27 Rue de Petit-Champlin,
 Quebec, QC, G1K 4H5
 VINCENT & MOORE, 825 Rue Saint-
 Laurent Ouest, #44, Longueuil, QC, J4K
 2V1
 THE CASUAL GOURMET, 1027 King
 Street West, Hamilton, ON, L8S 1L6
 TEA DESIRE, 1232-Barnet Highway,
 Coquitlam, BC, V3B 5R5
 LE CHEF COMPLET, 447 Brant Street,
 Burlington, ON, L7R 2G3

CHINA**SHOP-IN-SHOP**

Sogo Department Store, 7/F, Nanjing
 West Rd., Shanghai
 CitySuper, IFC, B2, LG2, 8,
 Century avenue Pudong new district ,
 Shanghai
 ST Plaza, B1, 22 Jianguamenwai
 Avenue, Beijing
 Shin Kong Place, 5/F, No. 87, Jianguo
 Road, Chaoyang District, Beijing
 Emily Coffee, No. 0158A , Zone C,
 Chaowai SOHO, 6B, Chaowai Daijie,
 Beijing
 Music Coffee, 4# New Hope Rd,
 Chengdu, Sichuan
 Wangfujing Department Store, No.99,
 Qinxian North Street, Taiyuan
 Parkson Department Store, No. 189,
 Qinxian North Street, Taiyuan
 Chicago Coffee, 36 Times Avenue,
 Think UK Apartment Complex, 88 Jiao
 Ling Road, Kunming
 Charter Department Store, 6/F, No.1255
 Chongqing road, Chang Chun, Jilin
 Ouya Commercial Capital, 6/F, No.
 1128, Gong Nong Da Lu , Chang Chun,
 Jilin
 Nenlu Tea Lounge, 10/F, Hongyadong,
 No.88 Jiabin Road, Yuzhong District,
 Chongqing

DENMARK**SHOP-IN-SHOP**

Inspiration Illum, København K
 Inspiration Aarhus, Aarhus
 Magasin A/S Rødovre, Rødovre
 Magasin Fields, København S
 Magasin Lyngby, Lyngby
 Magasin Odense, Odense C
 Magasin Aarhus, Aarhus C
 Magasin Kgs. Nytorv, København K
 Bahne Brugskunst Fields, København S
 Bahne Brugskunst Fisketorvet,
 København V
 Bahne Brugskunst Rødovre, Rødovre
 Bahne Brugskunst Lyngby, Lyngby
 Bahne Brugskunst Roskilde, Roskilde
 Bahne Brugskunst Holbæk, Holbæk
 Bahne Brugskunst Horsens, Horsens
 Bahne Brugskunst Vejle, Vejle
 Bahne Brugskunst Aarhus C, Aarhus C
 Bahne Brugskunst Aalborg, Aalborg
 Bahne Brugskunst Esbjerg, Esbjerg

ONLINE SHOP SCANDINAVIA

www.bodum.com

ESTONIA**SHOP-IN-SHOP**

Kaubamaja, Tallinna
 Kaubamaja, Tartu

FINLAND**SHOP-IN-SHOP**

Stockmann Department Store Helsinki
 Keskustan Huoltotunneli 14
 Ruoholahti
 00100 Helsinki

FRANCE**BODUM® STORE**

38, avenue de l'Opéra
 75002 Paris
 Ouverture Avril 2011
 T +33 1 42 33 01 68
 F +33 1 42 33 11 67
 shop.opera@bodum.com

BODUM® OUTLET

La Vallée Shopping Village
 Centre Commercial Val d'Europe
 3, cours de la Garonne
 77700 Serris
 T +33 1 64 63 26 25
 F +33 1 64 63 23 31
 shop.serris@bodum.com

SHOP-IN-SHOP

Paris
 BHV, rue de Rivoli, Paris 4ème
 BON MARCHE, 24, rue de Sèvres, Paris
 7ème
 GALERIES LAFAYETTE MAISON,
 35 boulevard Haussmann, Paris 9ème
 PRINTEMPS BEAUTE MAISON 64,
 boulevard Haussmann, Paris 9ème
 Province
 ELLEN DESFORGES, 29, rue de la
 Monnaie, Lille
 GALERIES LAFAYETTE, Marseille Bourse
 GALERIES LAFAYETTE, Nice Cap 3000
 GALERIES LAFAYETTE,
 Toulouse Capitole
 PRINTEMPS, Lille
 PRINTEMPS, Vélizy 2

ONLINE SHOP FRANCE

www.bodum.com

BODUM® SHOPS & SHOP-IN-SHOP

GERMANY

SHOP-IN-SHOP

KaDeWe, Berlin
Karstadt, Frankfurt Zeil
Karstadt, Dortmund
Karstadt, Stuttgart
Karstadt, München Bahnhofspatz
Karstadt Bremen
Karstadt Nürnberg
Möbel Hesse
Lorey, Frankfurt

ONLINE SHOP GERMANY

www.bodum.com

GREECE

SHOP-IN-SHOP

Notos Galleries
105 51, Athinas 48, Kotzia Square

HONG KONG

SHOP-IN-SHOP

Allure Living Central, 109B Caine Road, Mid-Level
Citysuper Harbour City Store, Level 3, Harbour City, Tsim Sha Tsui
Franc Franc, Shop S01-03 & S08-12, 2/F., Hang Lung Center, 2-20 Paterson St., Causeway Bay
GOD Causeway Bay, Leighton Centre, Sharp Street East Entrance, Causeway Bay
GOD Central, 48 Hollywood Road, Central
GOD Tsimshatsui, Shop B02, Basement, Silvercord, 30 Canton Road, Tsim Sha Tsui
Gourmet, Basement, Lee Gardens, Causeway Bay
Great Food Hall, Basement, Two Pacific Place, Queensway
Lane Crawford (Pacific Place), 88 Queensway, Admiralty
Lane Crawford (Times Square), 1 Matheson Street, Times Square, Causeway Bay
Lane Crawford (Tsim Sha Tsui), 3 Canton Road, Tsim Sha Tsui
Marc James Design, 16/F Horizon Plaza, Ap Lei Chau
Sogo Hong Kong Co., Ltd., 555 Hennessy Road, Causeway Bay
Today's Living Service Centre, 1/F., 20 Pak Sha Road, Causeway Bay
Towngas Avenue, G/F 59-65 Paterson St., Fashion Walk, Causeway Bay
Towngas Cooking Centre, Basement, Leighton Centre, 77 Leighton Road, Causeway Bay
Wing On (Main Store), Wing On Centre, 211 Des Voeux Road Central, Sheung Wan
Wing On (Taikoo Shing Store), Cityplaza, Units 074 & 144, 18 Taikoo Shing Road, Taikoo Shing
Wing On Plus (Nathan Road), Wing On Kowloon Center, 345 Nathan Road, Yau Ma Tei
Yata, Phase III, New Town Plaza, 2-8 Shatin Centre Street, Shatin

INDONESIA

SHOP-IN-SHOP

Metro Pondok Indah, Jakarta
Metro Senayan, Jakarta
Metro Taman Anggrek, Jakarta
Grand Lucky, Sudirman Business District, Jakarta
OGO Plaza Senayan, Jakarta
Debenhams Senayan City, Jakarta
Metro bandung Supermall, Bandung

ITALY

BODUM® STORE

Via di San Francesco a Ripa, 141 a/b
00153 Roma
T 0039 06 58 34 49 26
F 0039 06 58 97 941
shop.roma@bodum.com

BODUM® STORE

Via di Campo Marzio, 46 a/b
00186 Roma
T 0039 06 68 80 13 20
F 0039 06 68 80 13 20
shop.roma@bodum.com

SHOP-IN-SHOP

LA RINASCENTE, Milano Duomo
ONLINE SHOP ITALY
www.bodum.com

JAPAN

BODUM® OUTLET

Rinku Premium Outlet
Section 1630
3-28 Rinku Ourai Minami
Izumisano-shi
598-8508 Osaka
T +81 72 458 4688
F +81 72 458 4688
shop.rinku@bodum.com

BODUM® OUTLET

Gotemba Premium Outlet
Section 550
1312 Fukasawa, Gotemba-shi
412-0023 Shizuoka
T +81 550 81 3118
F +81 550 81 3118
shop.gotemba@bodum.com

SHOP-IN-SHOP

Illums Nihonbashi
Illums Umeda
Illums Koriyama
Illums Sapporo
Seibu Department Store Ikebukuro

ONLINE SHOP JAPAN

www.bodum.com

KOREA

Shinsegae Main, 9 F,
52-5 chungmuro Joong-Gu Seoul
Timesquare, 5F, 434-5 Youngdeungpo
4-ga Youngdeungpo- Gu Seoul
Shinsegae Busan Centerm City, 7F,
1495 Woo-dong Haewundae-gu Busan
Lotte Main, 7F, 1 Joong-gu Sogong-dong Seoul
Lotte Kangnam, 7 F, 937 Daechi-dong Kangnam-Gu Seoul
AK Plaza Bundang, 5F, 263 Seohyun-dong, Bundang-gu Seongnam City, Kyunggi-do
Hyundai Cheonho, 10 F, 455-8 Cheonho-dong Kangdong-gu Seoul
Shinsegae Yeongdeungpo, 6F, Building B, 434-5 Yeongdeungpo-dong 4ga, Yeongdeungpo-gu, Seoul
Shinsegae Incheon, 5F, 15 Gwangyo-dong, Nam-gu, Incheon

MALAYSIA

SHOP-IN-SHOP

"LIVE IT UP!" Homestore, LG306,
One Utama Shopping Centre (New Wing)
Isetan Departmental Store, 3rd floor
Kuala Lumpur City Centre
Robinsons Departmental Store, 2nd floor
The Gardens Midvalley
Parkson Pavilion, 6th floor, Pavilion
Kuala Lumpur

NETHERLANDS

SHOP-IN-SHOP

DE BIJENKORF, Amsterdam
DE BIJENKORF, Arnhem
DE BIJENKORF, Den Haag
DE BIJENKORF, Eindhoven
DE BIJENKORF, Rotterdam
DE BIJENKORF, Utrecht

RUSSIA

SHOP-IN-SHOP

Bolshoy Gostiny Dvor, St. Petersburg
Studio Detali, Fortuna Grand, Irkutsk
Studio Detali, Irkutsk
Dom nemetskoy posudi, Magnitogorsk
Dom nemetskoy posudi, Gostiny Dvor, Magnitogorsk
Dom nemetskoy posudi, Magnit, Chelyabinsk
Dom nemetskoy posudi, Tyumen

SINGAPORE

SHOP-IN-SHOP

Tangs, Basement 1, Orchard Road
Tangs (Vivo), Level 2, Vivo City
Takashimaya, Basement 1, Orchard Road
Robinson Centrepoint, Level 5, Orchard Road
Robinsons Raffles City, Level 4, City Hall
Isetan Scotts, Level 4, Orchard Road
Isetan Katong, Level 2, Marine Parade Road
Isetan Nex Mall, Level 3, Serangoon

SPAIN

BODUM® OUTLET

Las Rozas Village - loc. 46
C/ Juan Ramón Jiménez, 3
28230 Las Rozas
Madrid
T +34 91 636 64 76
shop.madrid@bodum.com

SHOP-IN-SHOP

ISOLEE, Claudio Coello 55, Madrid
VINÇON, Passeig de Gràcia 96, Barcelona
VINÇON, Castelló 18, Madrid

SWEDEN

BODUM® STORE

Helsingborg
Norra Storgatan 13-19
SE-25220 Helsingborg
T +46 42 13 80 80
shop.helsingborg@bodum.com

SWITZERLAND

BODUM® STORE

Weinmarkt 7
6004 Luzern
T +41 41 412 38 38
F +41 41 412 38 39
shop.luzern@bodum.com

BODUM® STORE

Metallcenter
Baarerstrasse 22
6300 Zug
T +41 41 711 48 79
F +41 41 711 48 80
shop.zug@bodum.com

BODUM® STORE

Limmatquai 72
8001 Zürich
T +41 44 253 17 15
F +41 44 253 17 18
shop.zurich@bodum.com

BODUM® SHOPS & SHOP-IN-SHOP**SHOP-IN-SHOP**

GLOBUS: Basel, Luzern
 HUBACHER AG: Rössliweg 43, 4852 Rothrist
 LOEB AG: Spitalgasse 47-51, 3001 Bern
 COOP CITY WARENHÄUSER: Baden, Bern Ryfflihof, Kriens (Pilatemarkt), Lausanne Au Centre, Oerlikon, Schaffhausen, Winterthur, Zürich St. Annahof, Bellevue, Coop
 CITY PFAUEN: Freie Strasse 75, 4002 Basel
 MANOR: Aarau, Ascona, Baden, Basel, Basel, St. Jakob, Biel, Chavannes, Chur, Emmen, Fribourg, Genève, Lausanne, Lugano, Luzern, Monthey, Pfäffikon SZ, Rapperswil SG, Schönbühl, Sierre, Sion, Schaffhausen, Solothurn, Spreitenbach, Vevey, Winterthur, Zürich Bahnhofstrasse, Zürich Letzipark

PARTNERS

Globus
 Interio
 Loeb AG
 Pfister
 E&H Services, Industriestrasse 14
 4658 Däniken

FACHHANDELS-PARTNER**WESTSCHWEIZ**

Boutique la Ballade,
 Centre commercial, Signy
 BUTIK für Küche und Wohnen,
 Neue Bahnhofstrasse 8,
 3110 Münsingen
 FMT Wohnmarkt Heimberg AG,
 Blümlisalpstrasse 40, 3627 Heimberg
 Kauer Trend Möbelmarkt AG,
 Längfeldstrasse 20, 2504 Biel
 Tekoe Tea Shop,
 Gare Lausanne, Bâle, Berne
 Tekoe, 1997 Haute-Nedaz
 La 3ème Main, 10, rue Verdaine,
 1204 Genève
 MIDI4IDIM, Grand-rue 2, 1009 Pully
 Rondorouge, 46, rue Ancienne,
 1227 Carouge
 La Papille Gourmande, Grand Rue 16,
 1530 Payerne
 La Semeuse, 1, Allée des Paysans-
 Horlogers 2301 La-Chaux-de-Fonds
 Kaufmann Côté Ambiance, 18,
 rue Neveu 2302 La-Chaux-de-Fonds

DEUTSCHSCHWEIZ

Küche & Raum, Kramgasse 6,
 3011 Bern
 Füglistaller AG, Freie Strasse 109,
 4001 Basel
 Muff Haushalt, Hauptstrasse 80
 4550 Sissach
 Ambiente Haushaltwaren, Vordere
 Hauptgasse 104,
 4800 Zofingen
 Filiale Friedmattstrasse 24,
 6260 Reiden
 Filiale Unterer Graben 1,
 6210 Sursee
 Regalino, Marktgasse 28,
 4900 Langenthal
 L'arte del benessere, Rain 15,
 5000 Aarau
 Tee, Kafi und Gwürzegge, Alb.
 Zwyssigstr. 88, 5430 Wettingen
 Karpf & Co. Sandgasse 5,
 5734 Reinach AG
 Filiale Zentralstrasse 4,
 5620 Bremgarten AG Filiale
 Zentralstrasse 2, 5610 Wohlen AG
 Grüter Süter, Hirschmattstrasse 8
 6002 Luzern
 Hunkeler Gastro AG, Grimselweg 5
 6002 Luzern

Die Nische, Brünigstrasse 131,
 6060 Sarnen
 Eichholzer & Zumbrennen,
 Via Veglia 3, 7500 St.Moritz
 Füglistaller AG, Werdmühlestrasse 4
 8001 Zürich
 Küche & Haushalt, Hottingerstrasse 37
 8032 Zürich
 Casa Fantastica, Airport-Shopping
 8058 Zürich Flughafen
 Hasler Haushalt, Stadthausstrasse 113
 8400 Winterthur
 S'Leue Lädeli, Ferrachstrasse 3 – 5,
 8630 Rüti
 Filiale Bahnhofwiese 3,
 8712 Stäfa
 Filiale im Zentrum 10,
 8634 Hombrechtikon
 Josef, Giger, Städtchen 11,
 8730 Uznach
 Landolt Kaffee, Kirchstrasse 9,
 8752 Näfels
 Cucina Pero, Zugerstrasse 33,
 8820 Wädenswil
 Markus Kleger, Haushalt und
 Geschenke, Willenstr. 15,
 9230 Flawil
 Finnshop AG, In der Altstadt, 9500 Wil
 Filiale Neugasse 33,
 9000 St. Gallen
 Filiale Freiestrasse 8,
 8500 Frauenfeld

ONLINE SHOP SWITZERLAND
www.bodum.com

SHOP-IN-SHOP

8F, Sogo Department Store, Chung
 Hsiao
 8F, Shin Kong Mitsukoshi Department
 Store Taichung
 10F, Far East Department Store,
 Banciao

THAILAND**SHOP-IN-SHOP**

Isetan 5 Fl., Central world
 CDC (Crystal Design Center) B Building
 Emporium
 Siam Paragon
 Central Chidlom
 Robinson Changmai
 Central Pattaya
 Central Chaengwattana

UNITED KINGDOM**BODUM® OUTLET**

Unit 6A
 Pingle Drive
 Bicester Village
 Bicester
 Oxfordshire
 OX26 6WD
 T +44 1869 321 209
 F +44 1869 321 209
shop.bicester@bodum.com

ONLINE SHOP UK

www.bodum.com

USA**SHOP-IN-SHOP**

BED, BATH & BEYOND, 555 9th St, San
 Francisco, CA, 94103
 BED, BATH & BEYOND, 620 6th Ave,
 New York, NY, 10011
 BROADWAY PANHANDLER, 65 East 8th
 St., New York, NY, 10003
 KITCHEN COLLAGE, 430 E. Locust
 Street, Des Moines, IA , 50309
 KIM'S HOME CENTER, 2940 W Olympic
 Blvd., Los Angeles, CA 90006

ONLINE SHOP USA

www.bodumusa.com

BODUM® SALES OFFICES

AUSTRALIA

Bodum (Australia) Pty Ltd
Suite 39, 26-32 Pirrama Road
Pyrmont NSW 2009
Australia
T +61 2 9692 0582
F +61 2 9692 0586
office.australia@bodum.com

AUSTRIA

Peter BODUM® GmbH
Roseggerstrasse 35
DE 21079 Hamburg
T +49 4191 99830
F +49 4191 2969
office.austria@bodum.com

BENELUX

C/O BODUM® AG
Kantonsstrasse 100
Postfach 463
CH-6234 Triengen
T 0900 42 555 België/Belgique
T 0900 43 555 Luxemburg/Luxembourg
T 0900 263 86 65 Nederland
F +41 41 935 45 91
office.benelux@bodum.com

Agent Belgium/Luxembourg
Rombouts BVBA
Brialmontlei 10
BE-2018 Antwerpen
T +32 3 213 16 13
F +32 3 213 16 05
distribution.belux@bodum.com

Agent The Netherlands
Bonkers B.V.
Molenweg 19A
NL-3738 DC Maartensdijk
T +31 346 21 40 23
F +31 346 21 24 30
distribution.netherlands@bodum.com

CHINA

BODUM® Hong Kong Ltd
Shanghai Representative Office
Unit 15A04, Wang Jiao Plaza
No.175, Yan'An Road (E)
Shanghai 200002
T +86 21 6326 5870
F +86 21 6326 5873
office.china@bodum.com

Distribution China
BODUM® Hong Kong Ltd
Shanghai Representative Office
Unit 15A04, Wang Jiao Plaza
No.175, Yan'An Road (E)
Shanghai 200002
T +86 21 6326 5870
F +86 21 6326 5873
office.china@bodum.com

FRANCE

BODUM® France S.A.S
38, avenue de l'Opéra
75002 Paris
T 0821 230 060
F 0811 115 051
office.france@bodum.com

GERMANY

Peter BODUM® GmbH
Roseggerstrasse 35
DE 21079 Hamburg
T +49 4191 99830
F +49 4191 2969
office.germany@bodum.com

GREECE

Distribution Greece
YALCO
9, A Metaxa St. Kifissia
GR 145 64 Athens
T +30 210 629 99 66

HONG KONG

BODUM® Hong Kong Ltd
BODUM® Asia Ltd
Unit 2503, 25/F K. Wah Centre
191 Java Road, North Point
Hong Kong
T +852 25 43 45 55
F +852 25 43 33 23
office.hongkong@bodum.com

Distribution Hong Kong
Carsac Limited
1128, Block B, Sea View Estate
2-8 Watson Road, North Point
Hong Kong
T +852 2968 1088
F +852 2968 5048
distribution.hongkong@bodum.com

ITALY

C/O BODUM® AG
Kantonsstrasse 100
Postfach 463
CH-6234 Triengen
T 199 30 77 78
F 199 30 77 79
office.italy@bodum.com

JAPAN

BODUM® Japan Co., Ltd
3-25-12 Jingumae
Shibuya-ku
150-0001 Tokyo
T +81 3 5775 0681
F +81 3 5775 0701
office.japan@bodum.com

KOREA

Distribution Korea
Sun Woo Ind. Co., Ltd
465-070
#251-6 Hang-Dong
Hanam-City, Kyungki-Do
Korea
T +82 31 793 1172
F +82 31 793 1176
distribution.korea@bodum.com

NEW ZEALAND

Distribution New Zealand
Michael Joyce
19 Westmoreland Street West
Grey Lynn Auckland 1141
T +64 9 376 6667
F +64 9 378 1122
sales@michaeljoyce.co.nz

PORTUGAL

Bodum Portuguesa, Produção de Artigos
Metálicos, SA
Z.I. Tondela, Apartado 8
P3460-909 Tondela
Portugal
T +351 232819900
F +351 232819902
office.portugal@bodum.com

Agent Portugal
Luis Filipe Santos & Luzio, Lda
Avenida Estados Unidos da América
Nº2 - Loja 9
1700-174 Lisboa
T 21 848 43 08/10
F 21 848 43 09
distribution.portugal@bodum.com

RUSSIA

Distribution Russia
DOMOSTROY
Bely Kuna Ulitsa 32
192 236 Saint Petersburg
T +7 812 334 96 34

SCANDINAVIA

Denmark
BODUM® (SKANDINAVIEN) A/S
Humblebæk Strandvej 21
DK-3050 Humlebæk
T +45 49 14 80 00
F +45 49 18 18 44
office.denmark@bodum.com

NORWAY

T +47 66 91 04 72
F +47 22 51 36 36
Viderekople til Danmark

Agent Norway
Carl F. Myklestad AS
Sandakerveien 76 F
N-0484 Oslo
T +47 22 09 12 40
F +47 22 09 12 41

SWEDEN

T +46 87 16 91 60
F +46 87 18 23 27
Kopplas vidara til Danmark

SINGAPORE

Distribution Singapore/
Indonesia/Malaysia
YEO TECK SENG (S) PTE. Ltd
59 Jalan Pemimpin
03-00 L&Y Building
Singapore 577218
T +65 6254 1511
F +65 6251 5415
distribution.singapore@bodum.com

SPAIN

C/O BODUM® AG
Kantonsstrasse 100
Postfach 463
CH-6234 Triengen
T 902 995 604
F 902 996 138
office.spain@bodum.com

Agent Spain
MIM S.I.
Avda Somosierra, 12-esc. dcha. 1ºB
ES-28700 San Sebastián de los Reyes (Madrid)
T +34 91 663 61 01
F +34 91 651 01 68
distribution.spain@bodum.com

SWITZERLAND

BODUM® (Schweiz) AG
Kantonsstrasse 100
Postfach 463
6234 Triengen
T +41 41 935 45 00
F +41 41 935 45 80
office.switzerland@bodum.com

TAIWAN

BODUM® Taiwan
7th Floor
5 Kwo Kang Road
205 Keelung City
T +886 2 24 58 38 48
F +886 2 24 58 38 36
distribution.taiwan@bodum.com

THAILAND

Distribution Thailand
CAC Pacific Ltd
89 Chalermprakiat Soi 34
Nongbon, Pravat
Bangkok 10250
Thailand
T +662 328 1984
F +662 328 1985
distribution.thailand@bodum.com

UNITED KINGDOM

BODUM® (UK) Ltd
Hill House
1 Little New Street
London
EC4A 3TR
T 0845 40 17778
office.uk@bodum.com

USA (CANADA, SOUTH AMERICA)

BODUM® USA, Inc.
601 West 26th St.
Suite 1250
New York, NY 10001
T +1 212 367 8844
F +1 212 367 8855
info@bodumusa.com

Proof of purchase
Firmenstempel
Cachet du revendeur
Firmastempel
Sello de la empresa
Timbro del rivenditore
Stempel van de zaak
Firmastämpel
Carimbo da empresa
Yrityksen leima
Фирменное клеймо

Date
Datum
Date
Dato
Fecha
Data
Datum
Datum
Data
Päiväys
Дата

11450 FYRKAT


www.bodum.com

Free Manuals Download Website

<http://myh66.com>

<http://usermanuals.us>

<http://www.somanuals.com>

<http://www.4manuals.cc>

<http://www.manual-lib.com>

<http://www.404manual.com>

<http://www.luxmanual.com>

<http://aubethermostatmanual.com>

Golf course search by state

<http://golfingnear.com>

Email search by domain

<http://emailbydomain.com>

Auto manuals search

<http://auto.somanuals.com>

TV manuals search

<http://tv.somanuals.com>