

BOGEN[®]

COMMUNICATIONS, INC.

Interphone/Paging System

Models TP-6AP

TP-12AP

Specifications

No. of stations:	Numeral in model number indicates maximum number of stations
Operating Voltage:	24VDC
Power Supply:	Bogen Model RF24A regulated 24VDC @ 1 amp.
Supply Current:	25mA minimum (idle); 180mA max.; 140mA calling
Page Output Power:	250mW
Output Impedance:	600 ohms
Station Operation:	Push button station selection; full duplex handset communication; all-station page by pressing selector button of station used to make the page.
Loudspeaker Page:	Page to remote speakers or additional one-way or one-way-with-talkback channel using TB10A accessory and appropriate loudspeakers.
Mounting:	Wall or desk-top. Junction boxes supplied.
Dimensions:	8 $\frac{1}{4}$ "H x 4 $\frac{1}{2}$ "W x 2 $\frac{3}{4}$ "D (22.2 x 11.4 x 6.9cm)

9502
54-5984-01
Printed in Korea 9501

Important Safety Instructions

- Do not connect the power supply until system wiring is complete.
- Except for the power supply AC power cord plug, do not connect wires directly to AC power.
- Do not expose any equipment to rain or moisture.
- Do not hammer on or staple through cables.
- Route cables away from excessive heat and high-voltage cables.
- Do not alter component wiring.

Installation

The junction box supplied may be mounted to a wall or single-gang outlet box. The screw terminal designations are as follows:

1,2,3...12	Station Numbers
L	Call line terminal
L1	Common talk line
+	+ 24VDC connection
-	-24VDC connection
P	Page terminal
-1	External speaker

Lay the system out before beginning installation. Decide on the most efficient cable runs and assign station numbers. Future service or expansion of the system will be facilitated if you draw a diagram of the system. System wiring diagram is shown in Figure 1.

Station Mounting

Each phone has a bracket for wall mounting installation. Secure bracket to wall with screws provided. Fit slots in phone base over the hooks on bracket and pull phone down to secure.

Wiring

Use multi-conductor cable. Do not use twisted pair or shielded cable. The number of conductors required equals 4 plus the number of stations. AWG22 gauge is recommended for cable runs of less than 1000 feet. AWG24 gauge may be used for small systems. We recommend Belden 8400/9400 or West Penn 500 series cable.

Begin wiring with station number 1. Write the color code of each wire on your diagram. Be sure to connect the proper wire to the L terminal at each station.

Power Supply

Use only the Bogen Model RF24A power supply. **BE SURE TO OBSERVE CORRECT POLARITY WHEN CONNECTING THE POWER SUPPLY TO THE JUNCTION BOX.**

Connect power supply after system wiring is complete. If cable runs are very long, connect power supply to a point mid-way in the system.

External Page Speakers

You can add an external speaker at any station. This is especially useful in areas with high ambient noise levels. The Bogen Model IH-8A is recommended for this purpose. Wiring for the external speaker is shown in Figure 1.

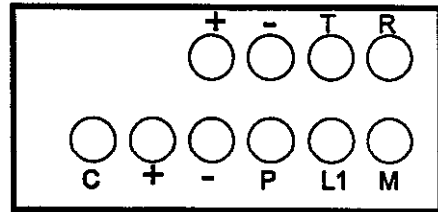
TB10A Page Adaptor

The TB10A provides paging to areas not served by a phone. It can also provide an additional paging channel with or without talkback. For all-station paging, phone capacity is not reduced. For an additional page channel, you reduce station capacity by one. See Figures 2 and 3.

Terminals are provided for input from a tuner permitting addition of background music to the remote speaker system. See Figures 2 and 3.

One amplified loudspeaker (Bogen AH-5A), or talkback speaker can be connected directly to the TB10A, as shown in Figures 2 and 3. Additional loudspeakers may be connected if provided with a suitable power supply. For a large number of speakers, the TB10A may be connected to the balanced 600-ohm input of a paging or talkback amplifier.

The TB10A Screw Terminal Designations are as follows:



+ , -	24VDC output
T, R	Music/Page output (600 Ohms, balanced)
C	Not used
+ , -	24VDC power
P	Page terminal
L1	Common talk terminal
M	Music input terminal

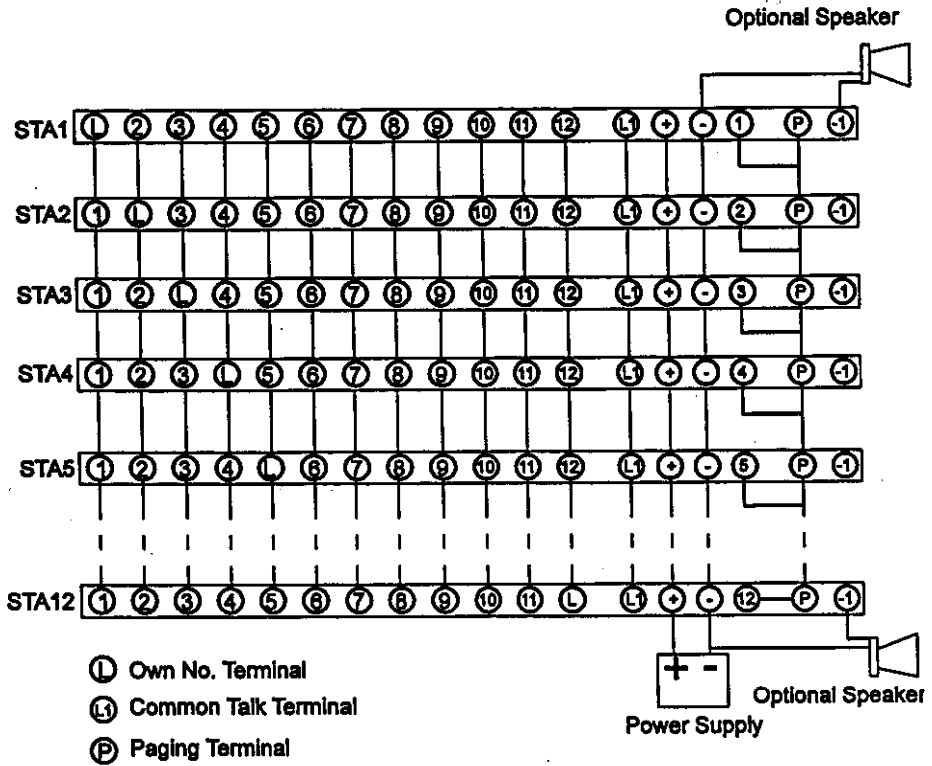


Figure 1. TP-nAP Wiring Diagram

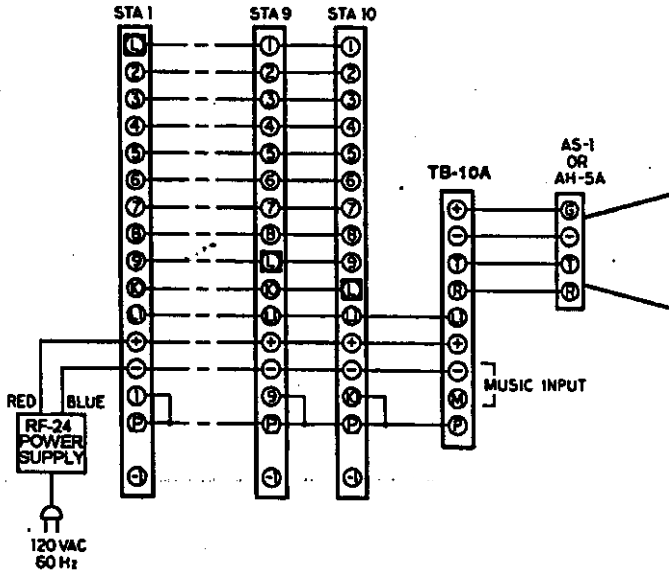


Figure 2. Using TB10A Page Adaptor for Station Paging to Remote Loudspeakers.

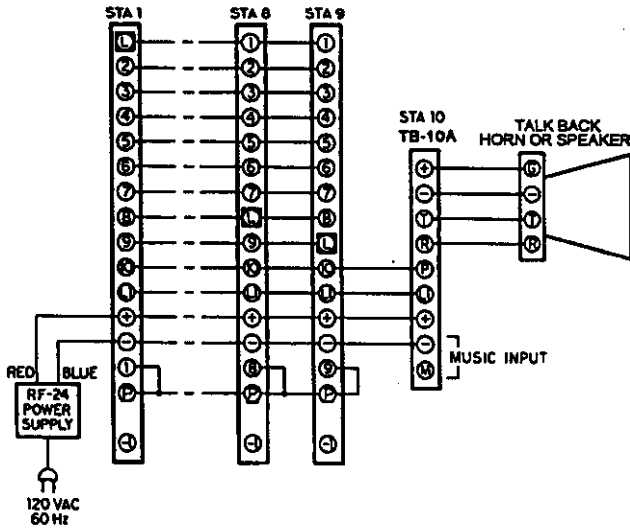


Figure 3. Using TB10A Page Adaptor for Additional Page Channel with Talkback.

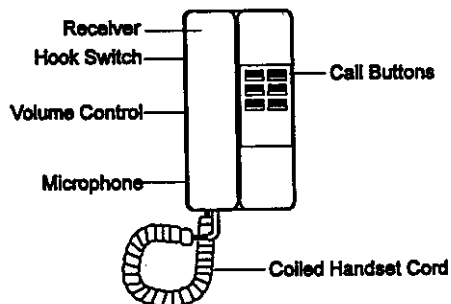
Operation Instructions

Call Another Station

Raise the handset and check that no one else is using the system. Press the desired call button(s). A call tone will be heard at the selected station(s).

To make a conference call, simultaneously press the desired buttons.

Place the handset on the hook switch to end a call.



Receive A Call

When the call tone sounds, lift the handset and reply.

Replace handset when finished.

All Call Paging

Lift the handset, press and hold the button for the station you are at. Speak into the handset microphone.

If a reply is necessary, identify the station from which you are paging, replace the handset and await reply.

To answer a page, call the station identified.

Remote Loudspeaker Paging (Optional)

Lift handset and press button designated for loudspeaker paging. Speak into the handset microphone. If the system includes a talkback feature, your party may reply hands free by speaking into the remote loudspeaker.

If there is no talkback feature, identify the station from which you are paging, replace the handset and await reply.

BOGEN[®]
COMMUNICATIONS, INC.

50 Spring Street, Ramsey, NJ 07446
(201) 934-8500 Fax: (201) 934-9832

Free Manuals Download Website

<http://myh66.com>

<http://usermanuals.us>

<http://www.somanuals.com>

<http://www.4manuals.cc>

<http://www.manual-lib.com>

<http://www.404manual.com>

<http://www.luxmanual.com>

<http://aubethermostatmanual.com>

Golf course search by state

<http://golfingnear.com>

Email search by domain

<http://emailbydomain.com>

Auto manuals search

<http://auto.somanuals.com>

TV manuals search

<http://tv.somanuals.com>