

# BOGEN<sup>®</sup>

## COMMUNICATIONS, INC.

### CALL/EMERGENCY SWITCHES

### MODELS CA-15B, CA-16A & CA21

The Bogen CA15B is a momentary, rocker-type call switch designed for use in Bogen COMMUNITELE<sup>®</sup> 2A and MULTICOM<sup>™</sup> 2000 communication systems. When pushed and released once, the switch signals an administrator to establish a call through a two-way speaker (The switch may also function as a single-push emergency switch in the MULTICOM 2000 system, when the staff station is configured for level 3 access.) When pushed and released four times, the switch initiates an emergency call at the administrative station.

The Bogen CA-16A is a momentary, rocker-type call switch designed for use in the Bogen COMMUNITELE 2A system. The switch functions the same as the CA-15B and has an added privacy feature, which prevents monitoring from the administrative station. The privacy position does not interfere with the ability of the administrative station to call the staff station; however, the privacy switch must be released for communications.

The Bogen CA-21 is a momentary, rocker-type call switch designed for use in the Bogen MULTICOM 2000 system. The switch functions the same as the CA15B and has an added privacy

feature, which prevents monitoring from the administrative station. The privacy position does not interfere with the ability of the administrative station to call the staff station; however, the privacy switch must be released for communications.

All call switches are designed for flush mounting in standard single-gang outlet boxes. Figures 1 and 2 illustrate the proper connections. The shield must not be grounded to the building ground at the outlet box or the speaker. (See appropriate system manual.)

#### Caution

Observe color code: CA-15B — red for annunciator line in COMMUNITELE 2A systems or orange for annunciator line in MULTICOM 2000 systems.

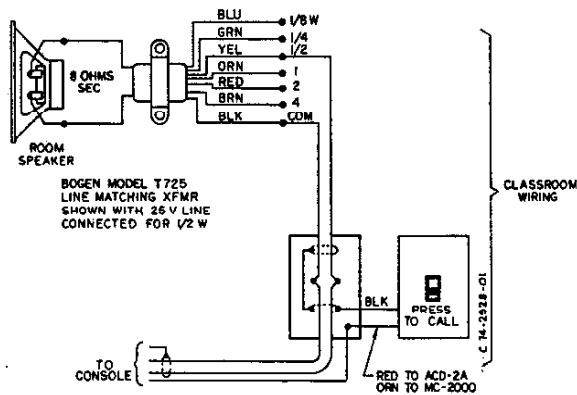


Figure 1 - Model CA-15B, Connecting Diagram

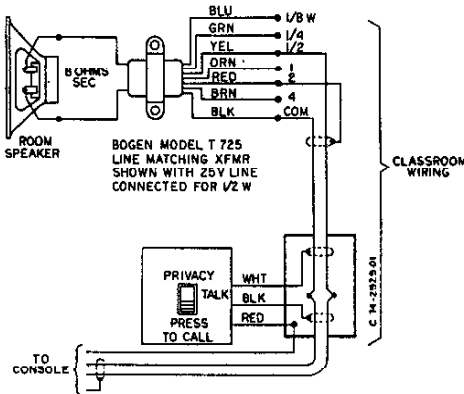


Figure 2 - Model CA-16A & CA-21, Connecting Diagram

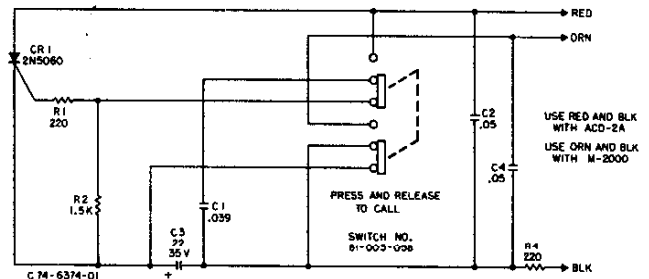


Figure 3 - Model CA-15B, Schematic Diagram

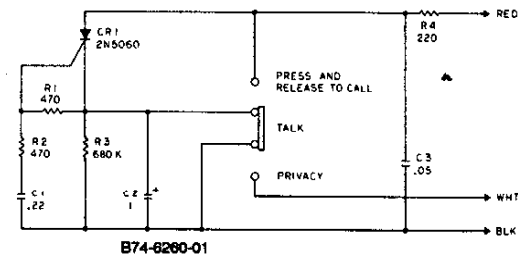


Figure 4 - Model CA-16A, Schematic Diagram

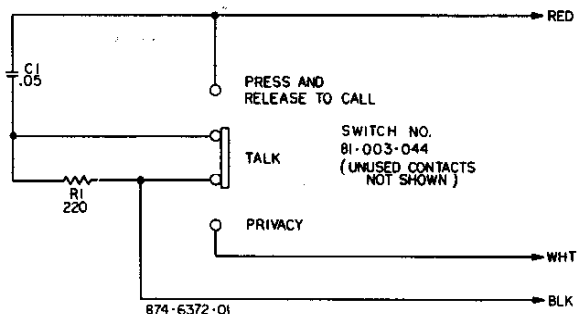


Figure 5 - Model CA-21, Schematic Diagram

**BOGEN<sup>®</sup>**  
**COMMUNICATIONS, INC.**  
 50 SPRING STREET, P.O. Box 575  
 RAMSEY, NJ 07446 (201) 934-8500

54-5918-01 8912 Printed In U.S.A.

## Free Manuals Download Website

<http://myh66.com>

<http://usermanuals.us>

<http://www.somanuals.com>

<http://www.4manuals.cc>

<http://www.manual-lib.com>

<http://www.404manual.com>

<http://www.luxmanual.com>

<http://aubethermostatmanual.com>

Golf course search by state

<http://golfingnear.com>

Email search by domain

<http://emailbydomain.com>

Auto manuals search

<http://auto.somanuals.com>

TV manuals search

<http://tv.somanuals.com>