



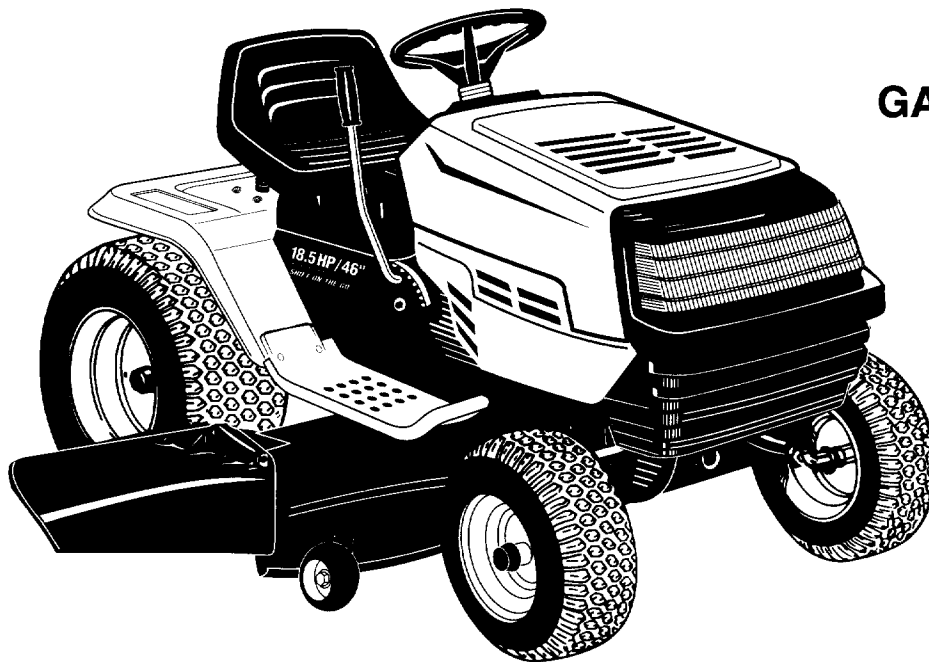
OWNER'S GUIDE

Model Series

820 thru 829

840 thru 849

**TRANSMATIC
GARDEN TRACTORS**



IMPORTANT: READ SAFETY RULES AND INSTRUCTIONS CAREFULLY

Warning: This unit is equipped with an internal combustion engine and should not be used on or near any unimproved forest-covered, brush-covered or grass-covered land unless the engine's exhaust system is equipped with a spark arrester meeting applicable local or state laws (if any). If a spark arrester is used, it should be maintained in effective working order by the operator. In the State of California the above is required by law (Section 4442 of the California Public Resources Code). Other states may have similar laws. Federal laws apply on federal lands. A spark arrester for the muffler is available through your nearest engine authorized service dealer or contact the service department, P.O. Box 368022 Cleveland, Ohio 44136-9722.

MTD PRODUCTS INC. P.O. BOX 368022 CLEVELAND, OHIO 44136-9722

IMPORTANT

SAFE OPERATION PRACTICES



THIS SYMBOL POINTS OUT IMPORTANT SAFETY INSTRUCTIONS WHICH, IF NOT FOLLOWED, COULD ENDANGER THE PERSONAL SAFETY AND/OR PROPERTY OF YOURSELF AND OTHERS. READ AND FOLLOW ALL INSTRUCTIONS IN THIS MANUAL BEFORE ATTEMPTING TO OPERATE YOUR UNIT. WHEN YOU SEE THIS SYMBOL—



HEED ITS WARNING.



DANGER:

Your lawn mower was built to be operated according to the rules for safe operation in this manual. As with any type of power equipment, carelessness or error on the part of the operator can result in injury. This lawn mower is capable of amputating hands and feet and throwing objects. Failure to observe the following safety instructions could result in serious injury or death.



I. GENERAL OPERATION

1. Read, understand, and follow all instructions in the manual and on the machine before starting. Keep this manual in a safe place for future and regular reference and for ordering replacement parts.
2. Only allow responsible individuals familiar with the instructions to operate the machine. Know controls and how to stop the machine quickly.
3. Do not put hands or feet under cutting deck or rear rotating parts.
4. Clear the area of objects such as rocks, toys, wire, etc., which could be picked up and thrown by the blade. A small object may have been overlooked and could be accidentally thrown by the mower in any direction and cause injury to you or a bystander. To help avoid a thrown objects injury, keep children, bystanders and helpers at least 75 feet from the mower while it is in operation. Always wear safety glasses or safety goggles during operation or while performing an adjustment or repair, to protect eyes from foreign objects. Stop the blade(s) when crossing gravel drives, walks or roads.
5. Be sure the area is clear of other people before mowing. Stop machine if anyone enters the area.
6. Never carry passengers.
7. Disengage blade(s) before shifting into reverse and backing up. Always look down and behind before and while backing.
8. Be aware of the mower and attachment discharge direction and do not point it at anyone. Do not operate the mower without either the entire grass catcher or the chute guard in place.
9. Slow down before turning. Operate the machine smoothly. Avoid erratic operation and excessive speed.
10. Never leave a running machine unattended. Always turn off blade(s), place transmission in neutral, set park brake, stop engine and remove key before dismounting.
11. Turn off blade(s) when not mowing.
12. Stop engine and wait until blade(s) comes to a complete stop before (a) removing grass catcher or unclogging chute, or (b) making any repairs, adjusting or removing any grass or debris.
13. Mow only in daylight or good artificial light.
14. Do not operate the machine while under the influence of alcohol or drugs.
15. Watch for traffic when operating near or crossing roadways.
16. Use extra care when loading or unloading the machine into a trailer or truck. This unit should not be driven up or down a ramp onto a trailer or truck under power, because the unit could tip over, causing serious personal injury. The unit must be pushed manually on a ramp to load or unload properly.
17. Never make a cutting height adjustment while engine is running if operator must dismount to do so.
18. Wear sturdy, rough-soled work shoes and close-fitting slacks and shirts. Do not wear loose fitting clothes or jewelry. They can be caught in moving parts. Never operate a unit in bare feet, sandals, or sneakers.
19. Check overhead clearance carefully before driving under power lines, wires, bridges or low hanging tree branches, before entering or leaving buildings, or in any other situation where the operator may be struck or pulled from the unit, which could result in serious injury.
20. Disengage all attachment clutches, thoroughly depress the brake pedal, and shift into neutral before attempting to start engine.
21. Your mower is designed to cut normal residential grass of a height no more than 10". Do not attempt to mow through unusually tall, dry grass (e.g., pasture) or piles of dry leaves. Debris may build up on the mower deck or contact the engine exhaust presenting a potential fire hazard.



II. SLOPE OPERATION

Slopes are a major factor related to loss of control and tip-over accidents which can result in severe injury or death. All slopes require extra caution. If you cannot back up the slope or if you feel uneasy on it, do not mow it.

For your safety, use the slope gauge included as part of this manual to measure slopes before operating this unit on a sloped or hilly area. If the slope is greater than 15° as shown on the slope gauge, do not operate this unit on that area or serious injury could result.

DO:

Mow up and down slopes, not across.

Remove obstacles such as rocks, limbs, etc.

Watch for holes, ruts or bumps. Uneven terrain could overturn the machine. **Tall grass can hide obstacles.**

Use slow speed. Choose a low enough gear so that you will not have to stop or shift while on the slope. Always keep machine in gear when going down slopes to take advantage of engine braking action. Follow the manufacturer's recommendations for wheel weights or counterweights to improve stability.

Use extra care with grass catchers or other attachments. These can change the stability of the machine.

Keep all movement on the slopes **slow** and **gradual**. Do not make sudden changes in speed or direction. Rapid engagement or braking could cause the front of the machine to lift and rapidly flip over backwards which could cause serious injury.

Avoid starting or stopping on a slope. If tires lose traction, disengage the blade(s) and proceed slowly **straight** down the slope.

DO NOT:

Do not turn on slopes unless necessary; then, turn slowly and gradually downhill, if possible.

Do not mow near drop-offs, ditches or embankments. The mower could suddenly turn over if a wheel is over the edge of a cliff or ditch, or if an edge caves in.

Do not mow on wet grass. Reduced traction could cause sliding.

Do not try to stabilize the machine by putting your foot on the ground.

Do not use grass catcher on steep slopes.



III. CHILDREN

Tragic accidents can occur if the operator is not alert to the presence of children. Children are often attracted to the machine and the mowing activity. Never assume that children will remain where you last saw them.

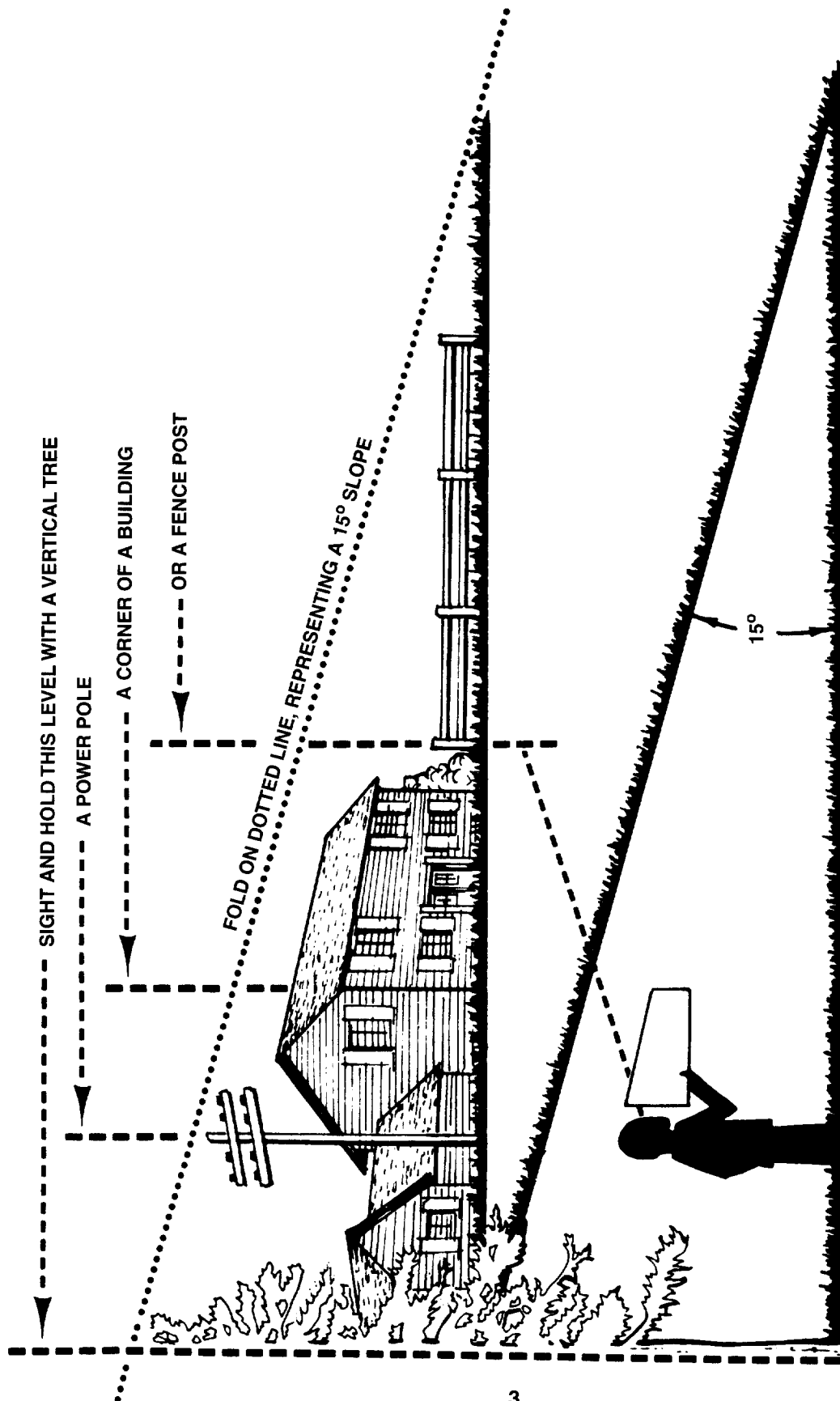
1. Keep children out of the mowing area and in watchful care of an adult other than the operator.
2. Be alert and turn machine off if children enter the area.
3. Before and when backing, look behind and down for small children.

(continued on page 5)

SLOPE GAUGE

(Keep this sheet in a safe place for future reference.)

USE THIS SHEET AS A GUIDE TO DETERMINE SLOPES WHERE YOU MAY NOT OPERATE SAFELY.



Do not mow on inclines with a slope in excess of 15 degrees (a rise of approximately 2-1/2 feet every 10 feet). A riding mower could overturn and cause serious injury. If operating a walk-behind mower on such a slope, it is extremely difficult to maintain your footing and you could slip, resulting in serious injury.

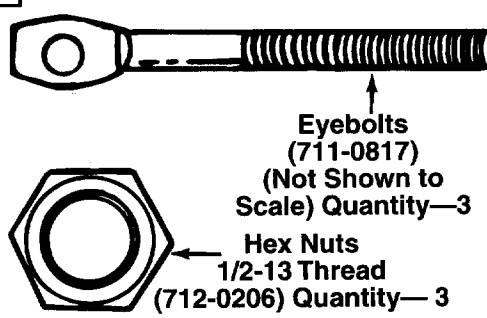
Operate RIDING mowers up and down slopes, never across the face of slopes.
Operate WALK-BEHIND mowers across the face of slopes, never up and down slopes.

CONTENTS OF HARDWARE PACK

Remove this sheet from your owner's manual and lay the hardware on the illustration for identification purposes. After assembly, keep the Slope Gauge which is on the reverse side of this sheet for future use.

(Hardware pack may contain extra items which are not used on your unit.
Part numbers are shown in parentheses.)

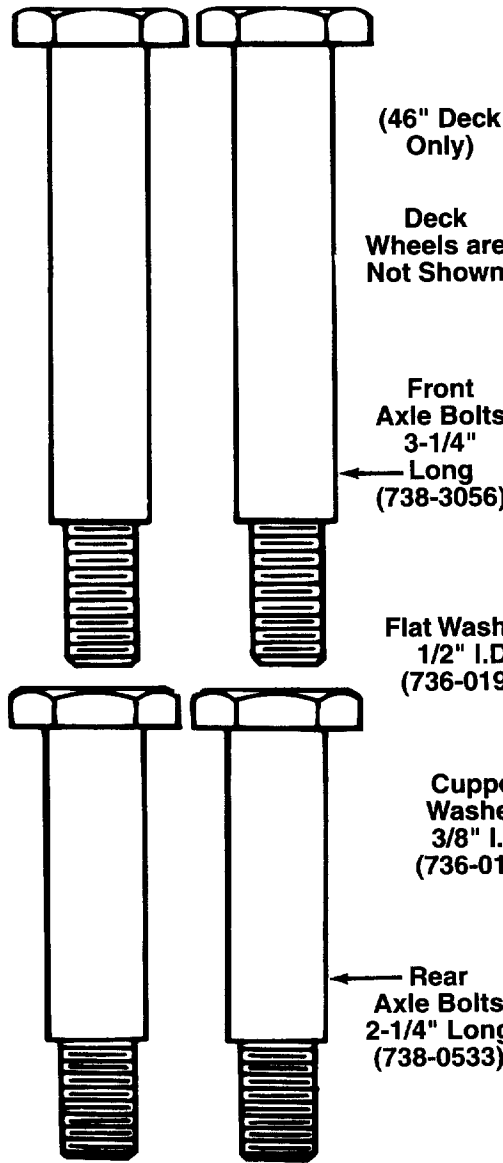
A ATTACHING THE DECK LINKS



Eyebolts
(711-0817)
(Not Shown to Scale) Quantity—3

Hex Nuts
1/2-13 Thread
(712-0206) Quantity—3

C ATTACHING THE DECK WHEELS
(if not already attached).



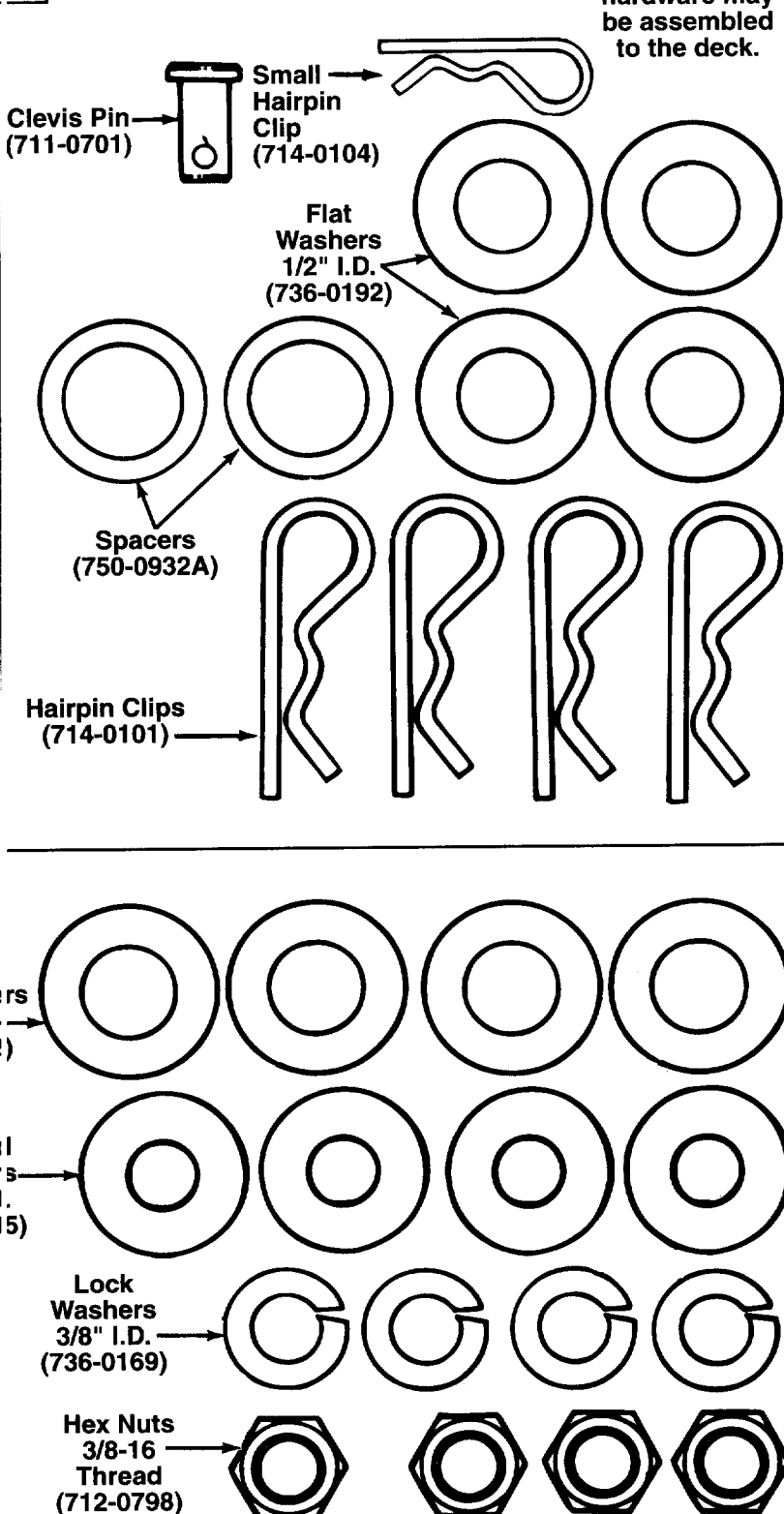
(46" Deck Only)
Deck Wheels are Not Shown

Front Axle Bolts
3-1/4" Long
(738-3056)

Rear Axle Bolts
2-1/4" Long
(738-0533)

B ATTACHING THE CUTTING DECK

NOTE: This hardware may be assembled to the deck.



Clevis Pin (711-0701)

Small Hairpin Clip (714-0104)

Flat Washers 1/2" I.D. (736-0192)

Spacers (750-0932A)

Hairpin Clips (714-0101)

Flat Washers 1/2" I.D. (736-0192)

Cupperl Washers 3/8" I.D. (736-0105)

Lock Washers 3/8" I.D. (736-0169)

Hex Nuts 3/8-16 Thread (712-0798)

Cut Along This Line

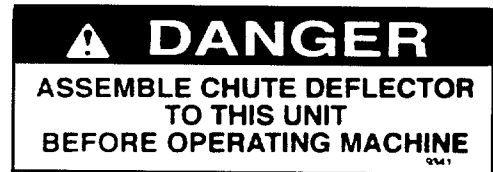
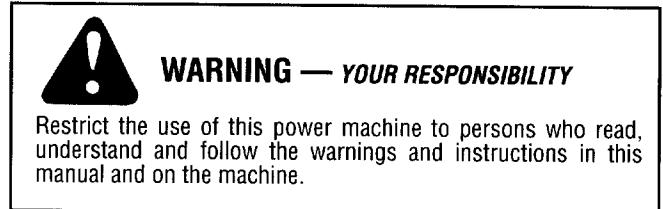


4. Never carry children, even with the blades off. They may fall off and be seriously injured or interfere with the safe machine operation.
5. Never allow children under 14 years old to operate the machine. Children 14 years and over should only operate machine under close parental supervision and proper instruction.
6. Use extra care when approaching blind corners, shrubs, trees or other objects that may obscure your vision of a child or other hazard.
7. Remove key when machine is unattended to prevent unauthorized operation.

IV. SERVICE

1. Use extreme care in handling gasoline and other fuels. They are extremely flammable and the vapors are explosive.
 - a. Use only an approved container.
 - b. Never remove fuel cap or add fuel with the engine running. Allow engine to cool at least two minutes before refueling.
 - c. Replace fuel cap securely and wipe off any spilled fuel before starting the engine as it may cause a fire or explosion.
 - d. Extinguish all cigarettes, cigars, pipes and other sources of ignition.
 - e. Never refuel the machine indoors because fuel vapors will accumulate in the area.
 - f. Never store the fuel container or machine inside where there is an open flame or spark, such as a gas hot water heater, space heater or furnace.
2. Never run a machine inside a closed area.
3. To reduce fire hazard, keep the machine free of grass, leaves or other debris build-up. Clean up oil or fuel spillage. Allow machine to cool at least 5 minutes before storing.
4. Before cleaning, repairing or inspecting, make certain the blade and all moving parts have stopped. Disconnect the spark plug wire, and keep the wire away from the spark plug to prevent accidental starting.
5. Check the blade and engine mounting bolts at frequent intervals for proper tightness. Also, visually inspect blade for damage (e.g., excessive wear, bent, cracked). Replace with blade which meets original equipment specifications.

6. Keep all nuts, bolts and screws tight to be sure the equipment is in safe working condition.
7. Never tamper with safety devices. Check their proper operation regularly. Use all guards as instructed in this manual.
8. After striking a foreign object, stop the engine, remove the wire from the spark plug and thoroughly inspect the mower for any damage. Repair the damage before restarting and operating the mower.
9. Grass catcher components are subject to wear, damage and deterioration, which could expose moving parts or allow objects to be thrown. For your safety protection, frequently check components and replace with manufacturer's recommended parts when necessary.
10. Mower blades are sharp and can cut. Wrap the blade(s) or wear gloves and use extra caution when servicing blade(s).
11. Check brake operation frequently. Adjust and service as required.
12. Muffler, engine and belt guards become hot during operation and can cause a burn. Allow to cool down before touching.
13. Do not change the engine governor settings or overspeed the engine. Excessive engine speeds are dangerous.
14. Observe proper disposal laws and regulations. Improper disposal of fluids and materials can harm the environment and the ecology.
 - a. Prior to disposal, determine the proper method to dispose of waste from your local Environmental Protection Agency. Recycling centers are established to properly dispose of materials in an environmentally safe fashion.
 - b. Use proper containers when draining fluids. Do not use food or beverage containers that may mislead someone into drinking from them. Properly dispose of the containers immediately following the draining of fluids.
 - c. DO NOT pour oil or other fluids into the ground, down a drain or into a stream, pond, lake or other body of water. Observe Environmental Protection Agency regulations when disposing of oil, fuel, coolant, brake fluid, filters, batteries, tires and other harmful waste.



UNPACKING

TO REMOVE UNIT FROM CRATE

1. Remove all screws from the top of the crate using a 1/4" hex head socket or a flat blade screwdriver.
2. To remove ends, grasp top board on the end, and pull towards you in a downward motion.
3. Set panel aside to avoid tire punctures.
4. Repeat procedure for each side of the crate.
5. Remove and discard plastic bag which covers unit.
6. Loose parts (may include the owner's guide, steering wheel, battery fluid, chute deflector, etc.) are on the seat or in a box and wrapped in plastic. Carefully cut and remove the plastic wrap. Remove loose parts from the seat.
7. Remove the deck from beneath the tractor. Make certain parking brake is released and unit is in neutral. See the controls section of this manual for location of the parking brake release and the shift lever. Push unit off of the skid.
8. Remove page four from this manual and lay out the contents of the hardware pack according to the illustration for identification.

ASSEMBLY INSTRUCTIONS

BATTERY INFORMATION



- A. Battery acid must be handled with great care as contact with it can burn and blister the skin. It is also advisable to wear protective clothing (goggles, rubber gloves and apron) when working with it.*
- B. Should battery acid accidentally splatter into the eyes or onto the face, rinse the affected area immediately with clean cold water. If there is any further discomfort, seek prompt medical attention.
- C. If acid spills on clothing, first dilute it with clean water, then neutralize with a solution of ammonia/water or baking soda/water.
- D. Since battery acid is corrosive, do not pour it into any sink or drain. Before discarding empty electrolyte containers, rinse them with a neutralizing solution.
- E. NEVER connect or disconnect charger clips to battery while charger is turned on as it can cause sparks.
- F. Keep all lighted materials (cigarettes, matches, lighters) away from the battery as the hydrogen gas generated during charging can be combustible.
- G. As a further precaution, only charge the battery in a well-ventilated area.

***Always shield eyes, protect skin and clothing when working near batteries.**



DANGER

Battery contains sulfuric acid. Refer to warning above. Antidote: EXTERNAL—Flush with water. INTERNAL—Drink large quantities of water or milk. Follow with milk of magnesia, beaten eggs or vegetable oil. Call physician immediately. EYES: Flush with cool water for at least 15 minutes, then get prompt medical attention.

Since batteries produce explosive gases, keep all lighted materials (cigarettes, lighters, matches, etc.) away. Be sure to charge battery only in well-ventilated areas. Make certain venting path of battery (drain tube) is always open.

**KEEP BATTERIES
OUT OF THE REACH OF CHILDREN!**

IMPORTANT: After assembly, service engine with gasoline, and check oil level as instructed in the separate engine manual packed with your unit.

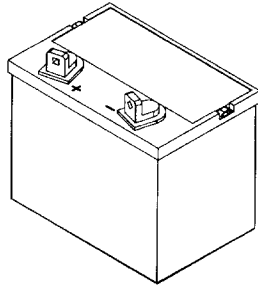
NOTE: Reference to right or left hand side of the unit is observed from the driver's seat, facing forward.

TOOLS REQUIRED FOR ASSEMBLY

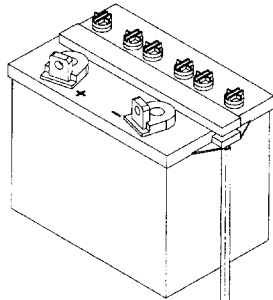
- (1) 1/4" socket wrench or flat blade screwdriver
- (1) 1/2" wrench or socket wrench*
- (1) 9/16" wrench or socket wrench
- (2) 7/16" wrenches or socket wrenches
- (1) Pair of pliers

* If your steering wheel cap is square, you **must** have a socket wrench in order to install the steering wheel.

BATTERY IDENTIFICATION



Type "A"



Type "B"

Compare the battery in your tractor (located under the hood) with the illustration above. Type "A" batteries are activated and are ready to use. Type "B" batteries must be filled with battery fluid (acid) and charged before they are put into service. Follow the instructions which apply to the battery in your lawn tractor.

ACTIVATING AND CHARGING THE BATTERY

TYPE "B" BATTERY ONLY)

Do not activate battery (fill with battery acid) until battery is actually placed in service. Be certain to read previous warnings before activating the battery.

1. Lift the hood of the tractor. Remove the wing nuts from the hold-down rods which secure the battery cover to the battery. Refer to figure 12 on page 11. Remove the battery cover. Disconnect the positive cable from the positive terminal. Save the hardware.
2. Remove the battery from the tractor, paying attention to how the battery is placed in the unit, and how the drain tube (if equipped) is routed.
3. Activate the battery as instructed in the "Quick Start" brochure included with the battery fluid. Read instructions carefully.

NOTE: You can continue assembling the tractor while battery is standing for 30 minutes (after filling with acid), and later while you are charging the battery.

IMPORTANT: To obtain the maximum life from your battery, it **MUST BE CHARGED** prior to initial use.

CHARGE THE BATTERY after the 30 minute standing period. Battery P/N 725-1705B—Charge at 2-3 amps for one hour. Battery P/N 725-1707B and 725-0453E—Charge at 6 amps for one hour.

NOTE: If you charge the battery at a lower AMP rate, use a hydrometer to make sure the battery is completely charged. The hydrometer should read 1.260 minimum at an electrolyte temperature of 60-110°F. **DO NOT CHARGE AT MORE THAN 6 AMPS.**

STEERING WHEEL INSTALLATION

1. The hardware for attaching the steering wheel has been packed inside the steering wheel. Carefully pry off the steering wheel cap and remove the hardware.
2. Remove the steering bellow from the lift lever on the right hand side of tractor. Place steering bellow over the steering shaft extending through the dash. See figure 1.

NOTE: If the openings on each end of the steering bellow are two different sizes, the smaller end goes down against the dash of the tractor.

3. With the wheels of the tractor pointing straight forward, place the steering wheel over the steering shaft, positioning steering wheel as desired.
4. Place the washer with the cupped side down over the steering shaft. Secure with hex lock bolt. See figure 1.

NOTE: If your steering wheel cap is square, you **must** use a socket wrench.

5. Place the steering wheel cap over the center of the steering wheel and seat it with your hand.

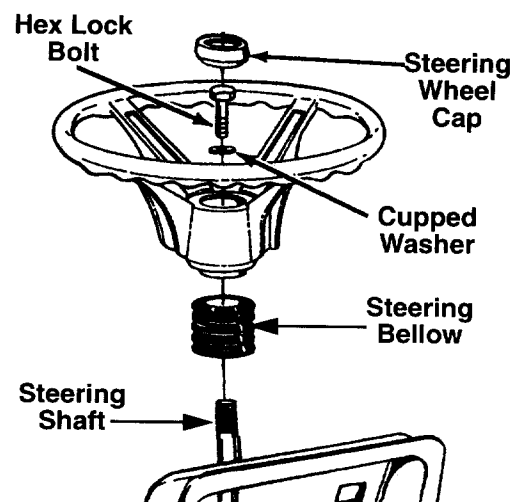


FIGURE 1.

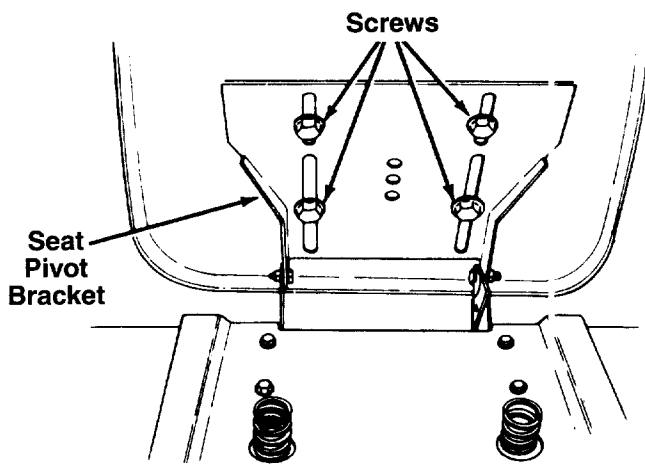
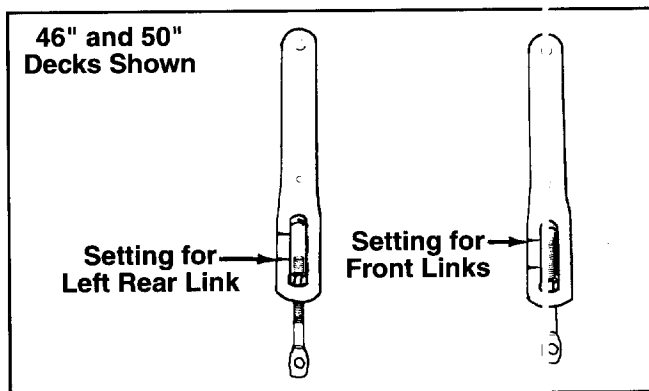


FIGURE 2.



SEAT ASSEMBLY

Remove the four screws from the bottom of the seat. Place the seat in position against the seat pivot bracket, lining up the slotted holes in the pivot bracket with the holes in the seat. Select desired position for the seat, and secure with the four screws. See figure 2.

ATTACHING THE DECK LINKS (Hardware A)

The three adjustable deck links have been shipped unassembled. Attach as follows.

1. Start 1/2" hex nuts on eyebolts provided. Insert the hex nuts and eyebolts into the adjustable lift links as shown in figure 3.
2. Thread eyebolts into the lift links and hex nuts. The left rear link should be adjusted so the eyebolt is to the **lower** mark as shown. The two front links should be adjusted to the **higher** mark.

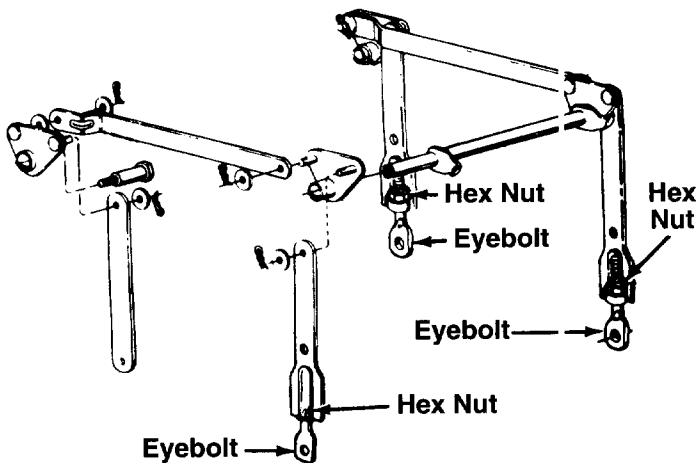


FIGURE 3.

ATTACHING THE CUTTING DECK (Hardware B)

1. Working beneath the tractor, remove the round belt guard from the idler by removing the hairpin clip. See figure 4. Remove the two hex bolts which act as belt keepers by the engine pulley.
2. Move the tractor lift handle all the way back to the full raised position. Turn the tractor steering wheel all the way to the left.

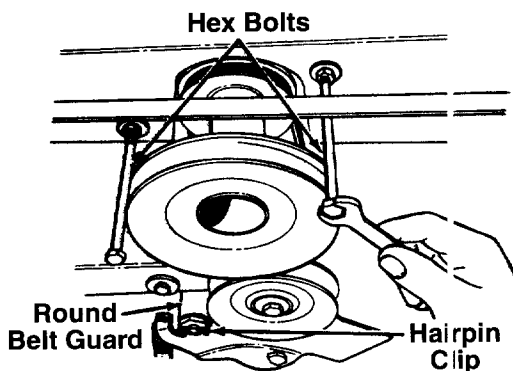


FIGURE 4.

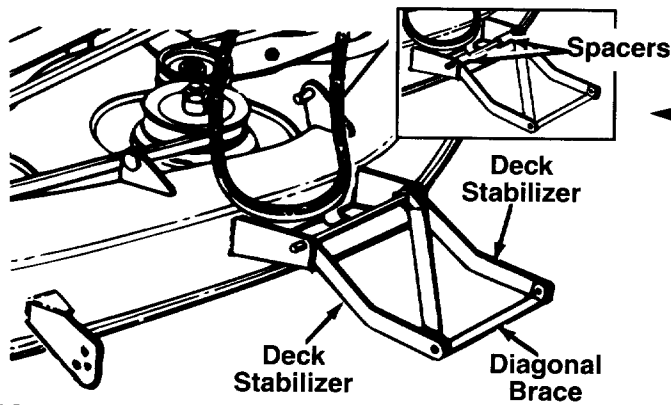


FIGURE 5.

3. The two deck stabilizers and the diagonal brace which are attached to the front of the deck are folded back over the deck for shipping purposes. Unfold them at this time. See figure 5.

NOTE: If the hardware for attaching the deck is assembled to your deck, remove the hairpin clips and flat washers from each deck bracket. Remove the spacers from the rod which is through the deck stabilizer by removing the hairpin clips and sliding out the rod. Replace the rod and hairpin clips. See figure 5, inset.

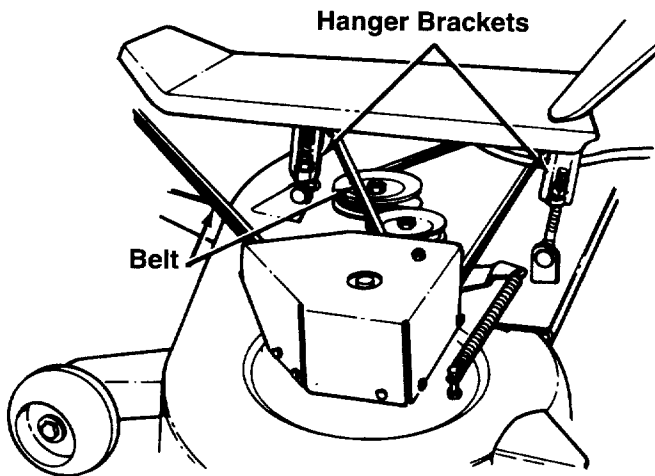


FIGURE 6.

4. Slide the deck under the tractor from the right side as you lift the stabilizers and diagonal brace over the right front wheel.
5. Move tractor lift handle forward to the lowest position.
6. Attach the four tractor hanger brackets to the deck as follows. The left front tractor hanger bracket goes through the center of the V-belt. See figure 6. Attach the rear hanger brackets first, then the front, using four flat washers and hairpin clips.
7. Disassemble the front cross bar from the tractor by removing two hairpin clips. Use the cross bar to attach the deck stabilizers, the diagonal brace and two spacers to the tractor frame.

46" Deck: Use the **rear** set of holes.
50" Deck: Use the **forward** set of holes.
 Secure with the two hairpin clips just removed. See figure 7.

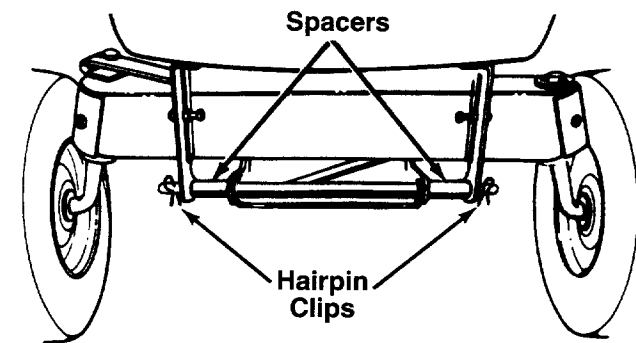


FIGURE 7.

8. Place the deck belt around the engine pulley and idler pulley.
9. Replace the round belt guard by the idler pulley (hex side down). Replace the hex bolts (belt keepers) by the engine pulley. Refer to figure 4.

10. Check all belt guards for clearance. The belt guards must be between 1/16" and 1/8" away from the belt when the PTO lever is in the engaged position (be certain to disengage the PTO lever after checking).

11. Secure the brake release cable to the tractor idler bracket with clevis pin and small hairpin clip, using the hole in the idler bracket as shown in figure 8.

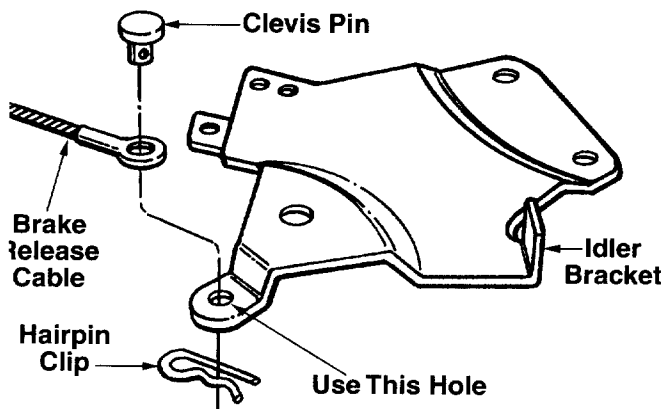


FIGURE 8.—Underneath Tractor

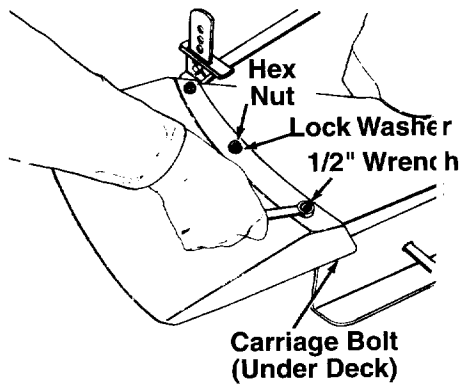


FIGURE 9A.—50" Deck

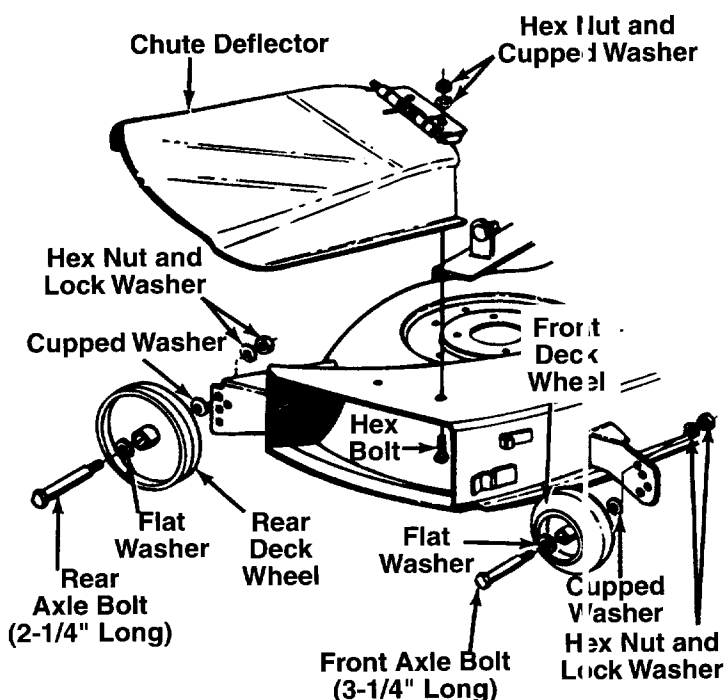


FIGURE 9B.—46" Deck

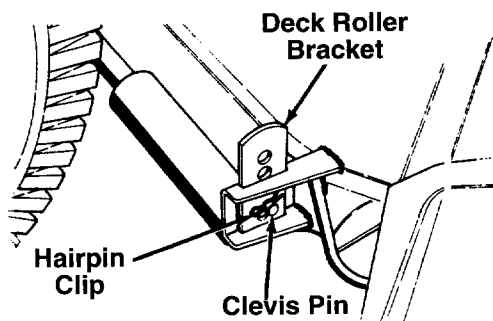


FIGURE 10.

ATTACHING THE CHUTE DEFLECTOR



WARNING: Do not operate the tractor unless the chute deflector has been properly installed.

Remove the bolts, nuts and cupped washers which are attached to the deck next to the chute opening. Place the chute deflector in position as shown in figure 9. Secure with hardware just removed.

ATTACHING THE DECK WHEELS (Hardware C) (46" Deck Only)

If the deck wheels are not already attached, attach the wheels to the deck as follows. All wheels must be placed in the same relative position.

Front Wheels: Front axle bolts are the longer bolts. Front deck wheels have a rounded surface.

Rear Wheels: Rear axle bolts are the shorter bolts. Rear deck wheels are flatter.

Place flat washer 1/2" I.D. on axle bolt, then the deck wheel and cupped washer (crowned side of washer goes against the wheel). See figure 9. Secure to deck with lock washer and hex nut. Tighten securely. Assemble remaining wheels in same manner.

ATTACHING THE DECK ROLLER (50" Deck Only)

Remove the hairpin clips and clevis pins from each end of the deck roller. Insert the deck roller brackets up through the brackets provided on the rear of the deck. Attach with clevis pins and hairpin clips just removed, using the same hole location on each side of the deck. See figure 10.

TIRE PRESSURE

The tires on your unit may be over-inflated for shipping purposes. Reduce the tire pressure before operating the unit. Check the sidewall of the tires for proper inflation pressure.



WARNING: Maximum tire pressure under any circumstances is 30 p.s.i. Equal tire pressure should be maintained on all tires.

LEVELING THE DECK

After attaching the deck to the tractor, check to be certain it is adjusted properly.

1. Check tire pressure in all four tires. See sidewall of tire for recommended inflation pressure.
2. Make certain all deck wheels or both ends of the deck roller are mounted in same relative hole locations.

- Place the tractor on a level surface.
- 46" Deck:** Lower the deck until it reaches the ground. All four deck wheels should reach the ground at the same time.
- Both Decks:** Place the deck approximately 1" above the ground. Check to be certain the distance from the bottom edge of the deck to the ground is the same on both sides of the deck.

If adjustment is necessary, adjust the deck links on the left side of the deck as follows.

- Make certain the PTO is disengaged. Remove the hairpin clip and washer from the weld bolt. Thread eyebolt up or down the link as necessary, and reassemble.
- Check to be certain the front of the deck is 1/4" to 3/8" lower than the rear of the deck. If it is not, adjust the two front links to obtain this distance.

FINAL ASSEMBLY

- Make certain **all** nuts and bolts are tightened securely.

INSTALLING THE BATTERY (Type "A" Battery)

NOTE: If battery is put into service after date shown on top of battery, charge for minimum of 1 hour at 6-10 amps.

- Lift the hood of the tractor. Remove the wing nuts from the hold-down rods which secure the battery cover to the battery. See figure 12.
- Remove the plastic cover from the negative terminal.
- Remove the hex bolt and nut from the negative (black) cable. Attach negative cable to the negative terminal with this bolt and nut.
- Place battery cover over battery and secure with wing nuts removed in step 1.

NOTE: It may be necessary to pull up on the hold-down rods in order to start the wing nuts.

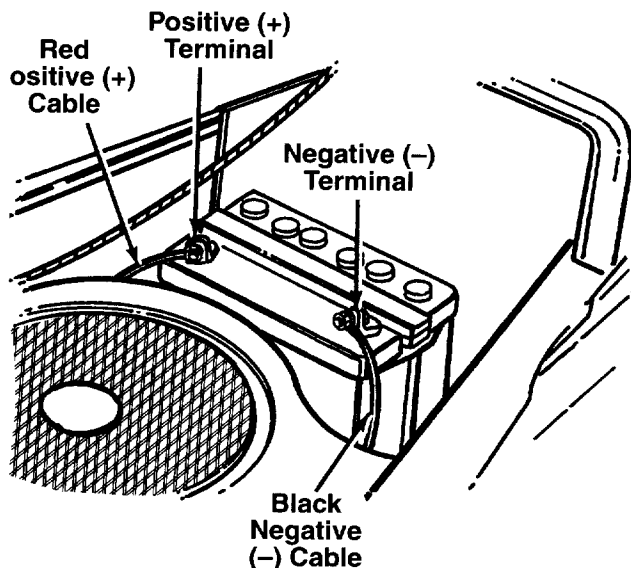


FIGURE 11.

INSTALLING THE BATTERY (Type "B" Battery)

NOTE: The positive battery terminal is marked Pos. (+). The negative battery terminal is marked Neg. (-).

- Place the battery on the battery plate with the terminals toward the front of the tractor.
- Attach the positive cable (heavy red wire) to the positive battery terminal (+) with hex bolt and hex nut. See figure 11. Slide the rubber boot down over the positive terminal.
- Remove the hex bolt and nut from the negative cable. Attach the negative cable (heavy black wire) to the negative battery terminal (-) with the bolt and nut.
- Place the battery cover in position over the hold-down rods. Secure with wing nuts. See figure 12.

NOTE: It may be necessary to pull up on the hold-down rods in order to start the wing nuts.

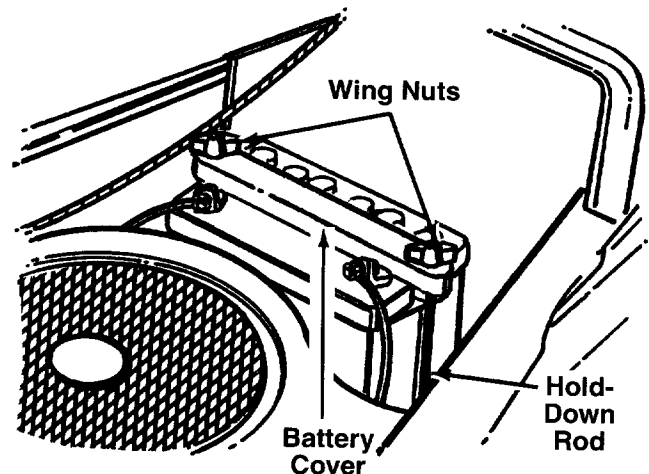


FIGURE 12.

- Route the battery drain tube over to the left side of the tractor. Loosen the self-tapping screw which secures the mounting clamp. See figure 13. Slip the end of the drain tube into the mounting clamp. Tighten the self-tapping screw to secure the clamp. Do not overtighten which could collapse the drain tube.

NOTE: The vented battery allows any gases or liquid from the battery to be drained onto the ground.

- Trim end of drain tube if more than 1 inch extends below the frame.

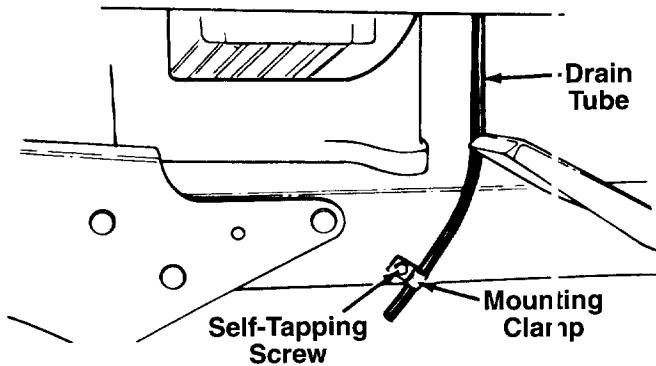


FIGURE 13.

CONTROLS

IGNITION SWITCH

The ignition switch is located on the dashboard. The engine is started by turning the key to the **START** position. When the engine is running, leave the key in the **ON** position. To stop the engine, turn the key to the **OFF** position. See figures 14 and 15.



WARNING: Remove the key from the tractor when the tractor is not in use to prevent accidental starting.

THROTTLE CONTROL

The throttle control is located on the left side of the dashboard and is used to regulate the engine speed. See figure 15. The engine should be operated at full throttle (**FAST**) when operating any equipment that uses the tractor engine as a source of power such as the mowing deck, snow thrower or rotary tiller.

CHOKE CONTROL

The choke control is located on the dashboard and is operated manually. Details for the choke operation are covered in the separate engine manual packed with your unit. See figure 15.

IGNITION/LIGHT SWITCH

To prevent accidental starting and/or battery discharge, remove the key from the ignition switch when the tractor is not in use.

To start engine insert key into ignition switch and turn clockwise to the **START** position. Release key to the **ON** position once engine has fired. The lights are controlled by the ignition switch. After the tractor is running, turn the key counterclockwise to the **LIGHTS ON** position. See figure 14.



WARNING: To prevent accidental starting and/or battery discharge, remove the key from the ignition switch when the tractor is not in use.

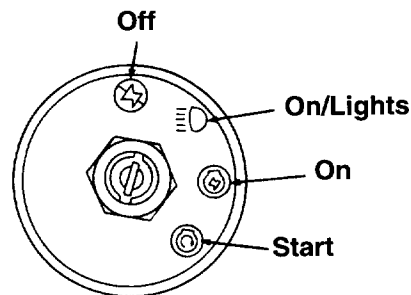


FIGURE 14.

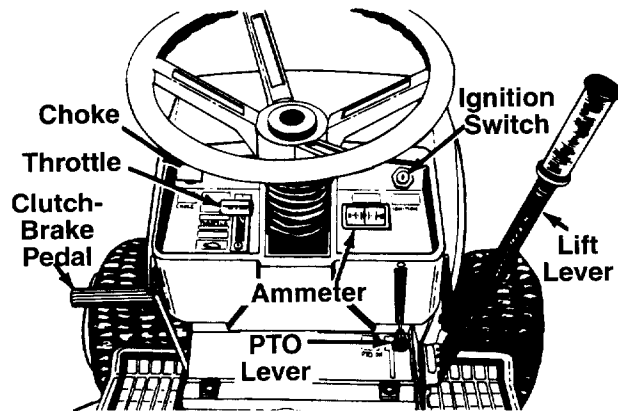


FIGURE 15A.—Models 820, 825, 840 and 845 Shown

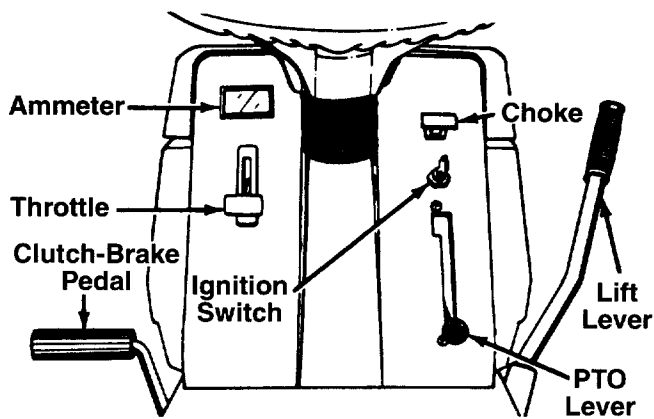


FIGURE 15B.—Models 82A and 84A Shown

AMMETER (Optional)

The ammeter registers the rate of battery charge or discharge. The ammeter will register on the discharging side when starting the engine. It should register on the opposite side (charging) when the engine is running in the fast position until the battery is completely charged. With a fully charged battery or with the engine idling, the ammeter will not show a charge. See figure 15.

CLUTCH-BRAKE PEDAL

The clutch-brake pedal is located on the left side of the tractor. See figure 15. Depressing the clutch-brake pedal partway disengages the clutch. Pressing the pedal all the way down disengages the clutch and engages the disc brake.

NOTE: *The clutch-brake pedal must be depressed to start the engine.*

SHIFT LEVER

The shift lever is located in the center of the console and has four positions, HIGH, LOW, NEUTRAL and REVERSE. See figure 16. The clutch-brake pedal must be depressed and the lawn tractor must not be moving when shifting gears. Do not force the shift lever. Release the clutch-brake pedal slightly to line up the shifting collar in the transmission. Then try to shift gears.

PARKING BRAKE

To set the parking brake, depress the clutch-brake pedal and pull up the parking brake knob. It will stay in the raised position. To release the parking brake, depress and release the clutch-brake pedal. See figure 16.

NOTE: *The parking brake must be set if the operator leaves the seat with the engine running.*

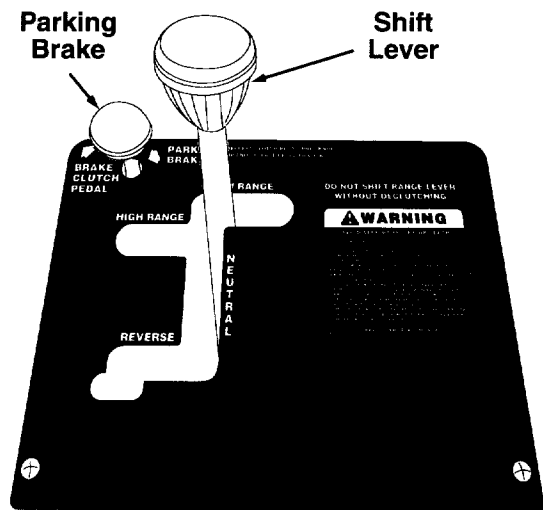


FIGURE 16.

SPEED CONTROL LEVER

The speed control lever is located on the left fender. It allows you to regulate the ground speed of the lawn tractor. See figure 17. To select the ground speed, depress clutch pedal. Push speed control lever outward and move backward to slow lawn tractor, move forward to increase speed. When desired speed has been obtained, release lever in that position. Whenever clutch is engaged, unit will automatically go to the pre-set speed.

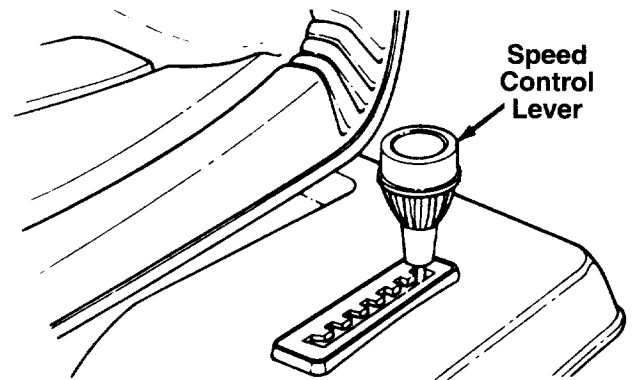


FIGURE 17.

LIFT LEVER

The five position lift lever is used to change the operating position of the attachments. To operate, pull the lever towards you. To release, move the lever to the right and then forward. See figure 15.

POWER TAKE-OFF (PTO) LEVER

The PTO lever is located on the right side of the dashboard. The PTO lever is used to engage and disengage the power to the attachments. To engage the PTO, lift the lever slowly and lock it into the notch. See figure 15.

NOTE: *The PTO lever **must** be in the disengaged position (down) when starting the engine, when shifting into reverse and if the operator leaves the seat.*

OPERATION



WARNING

AVOID SERIOUS INJURY OR DEATH

- GO UP AND DOWN SLOPES, NOT ACROSS. • AVOID SUDDEN TURNS.
- DO NOT OPERATE THE UNIT WHERE IT COULD SLIP OR TIP.
- IF MACHINE STOPS GOING UPHILL, STOP BLADE(S) AND BACK DOWNHILL SLOWLY.
- DO NOT MOW WHEN CHILDREN OR OTHERS ARE AROUND.
- NEVER CARRY CHILDREN.
- LOOK DOWN AND BEHIND BEFORE AND WHILE BACKING.
- KEEP SAFETY DEVICES (GUARDS, SHIELDS, AND SWITCHES) IN PLACE AND WORKING.
- REMOVE OBJECTS THAT COULD BE THROWN BY THE BLADE(S).
- KNOW LOCATION AND FUNCTION OF ALL CONTROLS.
- BE SURE BLADE(S) AND ENGINE ARE STOPPED BEFORE PLACING HANDS OR FEET NEAR BLADE(S).
- BEFORE LEAVING OPERATOR'S POSITION, DISENGAGE BLADE(S), PLACE THE SHIFT LEVER IN NEUTRAL, ENGAGE BRAKE LOCK, SHUT ENGINE OFF AND REMOVE KEY.

READ OPERATOR'S MANUAL

GAS AND OIL FILL-UP

Check oil level and add if necessary. Service the engine with gasoline as instructed in the separate engine manual packed with your tractor. Read instructions carefully.

IMPORTANT: Your tractor is shipped with oil; however, you must check the oil level before operating. Be careful not to overfill.

The gasoline tank is located under the seat. The filler neck is behind the seat. Do not overfill.



WARNING: Never fill fuel tank in doors, with engine running or while engine is hot.

STARTING THE ENGINE

IMPORTANT: This unit is equipped with a **safety interlock system** for your protection. The purpose of the safety interlock system is to prevent the engine from cranking or starting unless the clutch-brake pedal is depressed and the PTO lever is in the disengaged position. In addition, the PTO lever must be in the disengaged position when the unit is put into reverse or the engine will shut off. If the operator leaves the seat with the PTO lever engaged and/or without setting the parking brake, the engine will shut off.



WARNING: Do not operate the tractor if the interlock system is malfunctioning because it is a safety device, designed for protection.

1. Place the PTO lever in the disengaged (down) position.
2. Depress the clutch-brake pedal and set the parking brake.
3. Place the shift lever in the NEUTRAL position.
4. Set the throttle control in the FAST position.
5. Pull out the choke control (a warm engine may not require choking).
6. Turn the ignition key to the right to the START position. After the engine starts, release the key. It will return to the ON position.
7. Slowly push in the choke as the engine warms up.

STOPPING THE ENGINE

Turn the ignition key to the left to the OFF position. Remove the key to prevent accidental starting.

IMPORTANT: If you strike a foreign object, stop the engine. Remove wire from spark plug, thoroughly inspect the unit for any damage, and repair the damage before restarting and operating the mower.

NOTE: If any problems are encountered, refer to the *Trouble Shooting Guide* on page 22.

SETTING THE CUTTING HEIGHT

Select the position for the tractor lift lever which gives the desired cutting height. Then move the wheels on the deck so that the wheels are 1/4 to 1/2 inch above the ground.

NOTE: To obtain the best, uniform cut, the deck is designed to be suspended from the tractor at the desired cutting height. The deck wheels or deck roller should be just off the ground, to smooth out the cut and guard against gouging.



WARNING: Keep hands and feet away from the chute area on cutting deck.

OPERATING THE TRACTOR

1. Start the engine as instructed previously.
2. Move throttle control to full throttle to prevent strain on the engine and to operate attachments.
3. Place the shift lever in one of the two forward positions (LOW or HIGH), or in REVERSE. Place the speed control lever in desired position. Use first speed position when operating the tractor for the first time.



WARNING: Look to the rear before backing up.

4. Release the parking brake by depressing the clutch-brake pedal. Release clutch-brake pedal slowly to put unit into motion.
5. The tractor is brought to a stop by depressing the clutch-brake pedal.
6. The cutting blades (or other attachment) may be engaged while the tractor is moving or standing still. **DO NOT** engage the cutting blades abruptly as the sudden belt tension on the pulley may cause the engine to stall.



WARNING: Keep feet and hands away from the discharge opening, the blades or any part of the deck.

NOTE: *When operating the unit initially, there will be little difference between the highest two speeds until after the belts have seated themselves into the pulleys during the break-in period. Be certain to change oil in the crankcase after the first 5 hours of operation.*

Be sure that the lawn is clear of stones, sticks, wire, or other objects which could damage tractor or engine. For best results and to insure more even grass distribution, do not mow when lawn is excessively wet.



WARNING: Before leaving the operator's position for any reason, disengage the blades, place the shift lever in neutral, engage the parking brake, shut engine off and remove the key.

When stopping the unit to empty a grass bag, etc., follow the instructions above. This procedure will also eliminate "browning" the grass, which is caused by hot exhaust gases from a running engine.

If unit stalls with speed control in sixth or seventh speed, or if unit will not operate with speed control lever in first or second speed position, proceed as follows.

1. Place shift lever in NEUTRAL.
2. Restart engine.
3. Place speed control lever in highest speed position.
4. Release clutch-brake pedal fully.
5. Depress clutch-brake pedal.
6. Place speed control lever in desired position.
7. Place shift lever in one of the forward positions (HIGH or LOW) or REVERSE, and follow normal operating procedures.

HIGH-LOW TRANSMISSION RANGES

HIGH range position is for normal load conditions, such as mowing or transporting.

LOW range position is for situations which require more torque when the tractor is used under high load conditions, such as tilling, snow removal or hauling heavy loads.

GRASS COLLECTOR AVAILABLE

GRASS COLLECTOR Model 190-083 is available as optional equipment for tractors with 46" mowing decks.



WARNING: The mower should not be operated without the entire grass catcher or chute deflector in place.

NOTE: *Under normal usage bag material is subject to wear, and should be checked periodically. Be sure to use only factory authorized replacement bag.*

ADJUSTMENTS



WARNING: Disconnect the spark plug wire(s) and ground against the engine before performing any adjustments, repairs or maintenance.

SEAT ADJUSTMENT

To adjust the position of the seat, loosen the four screws on the bottom of the seat. See figure 2. Slide the seat forward or backward as desired. Retighten the four screws.

SPEED CONTROL ADJUSTMENT (See figure 18)

NOTE: *When operating the unit initially or after replacing the belts, there will be little difference between the highest two speeds until after the belts have gone through a break-in period and have seated themselves into the pulleys.*

If speed control adjustment is needed, adjust the speed control links as follows. (A 3/4" shim or suitable spacer is required.)

1. Start the engine.
2. Place the shift lever in NEUTRAL position.
3. Place the speed control lever in highest speed position.
4. Release the clutch-brake pedal completely, then slowly depress the pedal all the way (to park position). Hold the pedal in this position.
5. Turn the engine off.

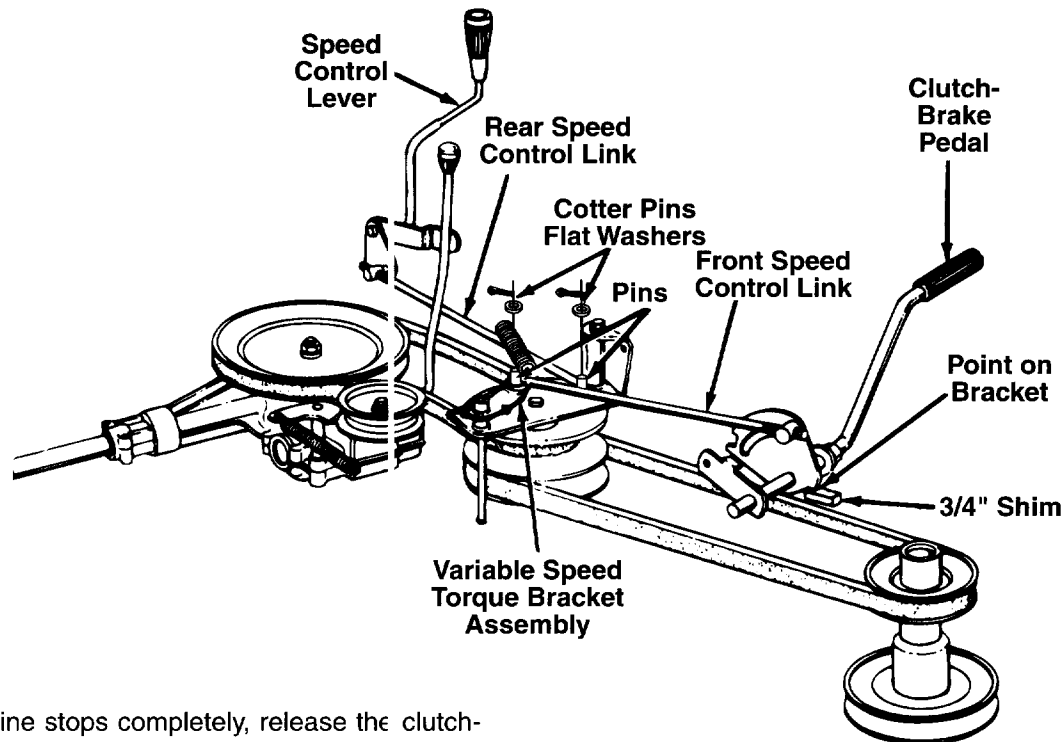


FIGURE 18.

6. After engine stops completely, release the clutch-brake pedal.
7. Remove the transmission cover by removing the parking brake knob, shift knob and two truss machine screws.
8. Disconnect the rear speed control link from the variable speed torque bracket by removing the cotter pin and flat washer.
9. **Models 820 thru 829:** Place the speed control lever in the first position.
Models 840 thru 849: Place the speed control lever in the second position.
10. Disconnect the front speed control link from the variable speed torque bracket by removing the cotter pin and flat washer.
11. Place a 3/4" shim or other suitable object under the point on the bracket on the clutch-brake pedal as shown.
12. Thread the front speed control link in or out of the ferrule until the hole in the link lines up with the pin on the variable speed torque bracket. Secure with the flat washer and cotter pin removed in step 10.
13. Push the rear speed control link backward using light pressure, and hold it in this position as you thread it into or out of the ferrule until the hole in the link lines up with the pin on the variable speed torque bracket.
Models 820 thru 829 Only: Turn the link three more times (making it longer).
14. Move the speed control lever toward the right so the hole in the rear speed control link fits over the pin on the variable speed torque bracket. Secure with the flat washer and cotter pin removed in step 8.

15. Remove the 3/4" shim from beneath the bracket on the clutch-brake pedal.

LEVELING THE DECK

The sides of the deck should be the same distance from the ground. The front of the deck should be 1/4" to 3/8" lower than the rear of the deck. If adjustment is required, refer to "Leveling the Deck" in Assembly Instructions.

STEERING ADJUSTMENT

If the tractor turns tighter in one direction compared to the other, the steering drag link must be adjusted. To adjust the drag link follow these steps. Refer to figure 19.

1. Loosen hex jam nut (A) at the rear of the ball joint.
2. Loosen and remove hex nut (B).
3. Lift the threaded portion of the ball joint out of the steering arm. Please do not misplace the hardware used to hold ball joint to steering arm. You will need it again.
4. Set the front wheels facing straight ahead.
5. Turn the steering wheel to the right or the left to match the alignment holes in the steering brace and the steering gear.
6. Once aligned, drop a nail through the steering brace and steering gear alignment holes.
7. Adjust the ball joint in or out on the drag link until the threaded portion of the ball joint slips through the hole in the steering arm. Make sure lock washer (C) is in position between the ball joint and the steering arm.

8. Tighten hex jam nut (A) against the ball joint.
9. Reattach the ball joint to the steering arm with hex nut (B). Finger tighten only at this time.
10. Turn the steering wheel fully to the left and the right to make sure that the drag link does not touch any part of the tractor frame. If the drag link does touch, start at step 1 and redo the adjustment.
11. Tighten hex nut (B).
12. Remove the nail used to align the steering gear.

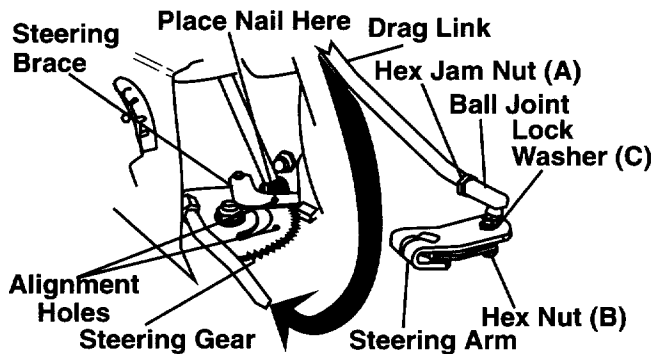


FIGURE 19.

BRAKE ADJUSTMENT (See figure 20)

The brake is located on the right side of the transaxle. During normal operation of this machine, the brake is subject to wear and will require periodic examination and adjustment. To see if brake needs adjusting proceed as follows.



WARNING: Do not adjust the brake while the engine is running. Be sure to block the wheels of the tractor before making the brake adjustment.

1. Set the parking brake by depressing the clutch-brake pedal and pulling up the parking brake knob.
2. Working on the right side of the tractor, try inserting a piece of paper through the coils of the brake spring. See figure 20.
3. If the paper can be inserted through the coils of the brake spring, the brake is properly adjusted.
4. If the paper **cannot** be inserted, tighten the hex lock nut until the paper can be inserted through the coils.
5. Release the parking brake and place the tractor in neutral. Depress the clutch-brake pedal and try rolling the tractor. The tractor should not move. If the tractor moves, repeat the above steps until proper brake adjustment is achieved.

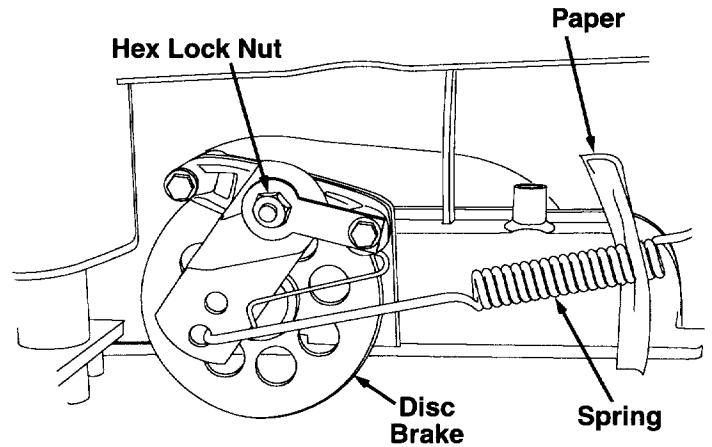


FIGURE 20.

CARBURETOR ADJUSTMENTS



WARNING: If any adjustments are made to the engine while the engine is running (e.g. carburetor), disengage all clutches and blades. Keep clear of all moving parts. Be careful of heated surfaces and muffler.

Minor carburetor adjustments may be required to compensate for differences in fuel, temperature, altitude and load. Refer to separate engine manual for carburetor adjustment information.

NOTE: A dirty air cleaner will cause an engine to run rough. Be certain air cleaner is clean and attached to the carburetor before adjusting carburetor.

LUBRICATION



WARNING: Always stop engine and disconnect spark plug wire(s) before cleaning, lubricating or doing any kind of work on lawn tractor.

STEERING GEARS

Lubricate teeth of steering gears with automotive multi-purpose grease after every 25 hours of operation or once a season. Refer to figure 19.

STEERING SHAFT

Lubricate steering shaft at least once a season with light oil.

TRANSAXLE

The transaxle is lubricated and sealed at the factory and does not require checking. If disassembled for any reason, lubricate with 32 oz. of Shell Darina grease, part number 737-0148 (16 oz. tube).

LINKAGE

Once a season lubricate all the pivot points on the clutch, brake and lift linkage with SAE 30 engine oil.

WHEELS

The front wheels may be provided with grease fittings. Lubricate at least once a season with automotive multi-purpose grease.

PIVOT POINTS

Lubricate all pivot points with light oil at least once a season.

BALL JOINTS

The ball joints and drag link ends are permanently lubricated.

BLADE SPINDLES

The blade spindles on the cutting deck are permanently lubricated.

MAINTENANCE



WARNING: Disconnect the spark plug wire(s) and ground against the engine before performing any adjustments, repairs or maintenance.

TROUBLE SHOOTING

Refer to the chart on page 22 for troubleshooting information.

ENGINE

Refer to the separate engine manual for engine maintenance instructions.

Maintain **engine oil** as instructed in the separate engine manual packed with your unit. **Read and follow instructions carefully.**

Service **air cleaner** every 25 hours under normal conditions. Clean every few hours under extremely dusty condition. To service the air cleaner, refer to the separate engine manual packed with your unit.

The **spark plugs** should be cleaned and the gap reset once a season. Spark plug replacement is recommended at the start of each mowing season; check engine manual for correct plug type and gap specifications.

CLEANING ENGINE AND DECK

Any fuel or oil spilled on the machine should be wiped off promptly. Grass, leaves, and other dirt must not be allowed to accumulate around the cooling fins of the engine or on any part of the machine.

Clean the underside of the deck after each mowing.

CUTTING BLADES



WARNING: Protect hands by using heavy gloves or a rag to grasp the cutting blades.

The blades may be removed for sharpening or replacement as follows:

46" Deck

Remove the hex flange nut that holds the blade to the blade spindle. See figure 21A.

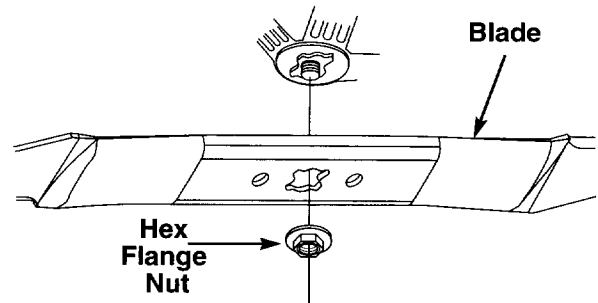


FIGURE 21A.—46" Deck

50" Deck

1. Remove the 3/8" bolt and lock washer holding the blade and adapter to the blade spindle.
2. Remove the blade and adapter from the blade spindle.
3. Remove the two 5/16" bolts, lock washers and nuts holding the blade to the adapter. See figure 21B.

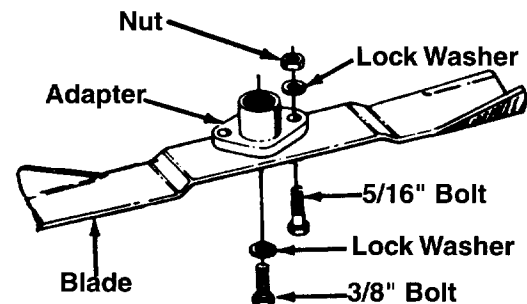


FIGURE 21B.—50" Deck

Both Decks

When sharpening the blades, follow the original angle of grind as a guide. It is **extremely important** that each cutting edge be ground equally to prevent an unbalanced blade. An unbalanced blade will cause excessive vibration when rotating at high speeds, may cause damage to the mower and could break, causing personal injury.

The blade can be tested for balance by balancing it on a round shaft screwdriver. Remove metal from the heavy side until it balances evenly.

When replacing the blade, be sure to install the blade with the side of the blade marked "Bottom" (or with part number) facing the ground when the mower is in the operating position.

TORQUE SPECIFICATIONS

46" Deck:

Blade

Hex Flange Nut: 70 ft.-lbs., 90 ft.-lbs.

Blade Spindle Screws

If disassembled for any reason, tighten the blade spindle screws between 200 and 275 inch pounds.

50" Deck:

Blade

3/8" Dia. Bolt: 450 in. lb. min., 600 in. lb. max.

5/16" Dia. Bolt: 200 in. lb. min., 350 in. lb. max.

Blade Spindle Nuts

If disassembled for any reason, tighten the blade spindle nuts between 200 and 350 in. lbs.

To ensure safe operation of your unit, **all** nuts and bolts must be checked periodically for correct tightness.

WHEEL ADJUSTMENT

The caster (forward slant of the king pin) and the camber (tilt of the wheels out at the top) require no adjustment. Automotive steering principles have been used to determine the caster and camber on the tractor. The front wheels should toe-in 1/8 inch.

Some units have adjustable tie rods so the toe-in can be adjusted. To adjust the toe-in on these units, follow these steps.

1. Remove the hex nut and lock washer, and drop the end of the tie rod from the axle bracket. See figure 22.
2. Loosen the hex jam nut on tie rod.
3. Adjust the tie rod assembly for correct toe-in.

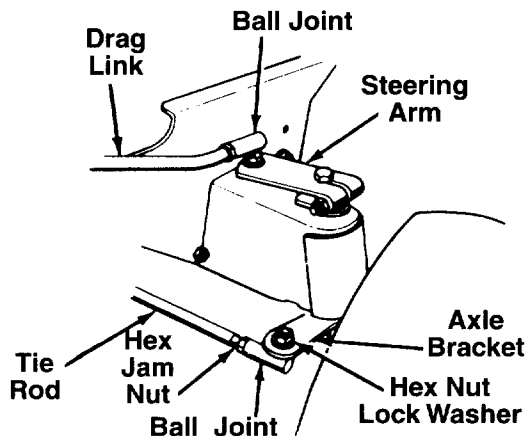


FIGURE 22.—Units with adjustable tie rods

Dimension "B" should be approximately 1/8" less than Dimension "A." See figure 23. To increase Dimension "B," screw tie rod into tie rod end. To decrease Dimension "B," unscrew tie rod from tie rod end. Reassemble tie rod. Check dimensions. Readjust if necessary.

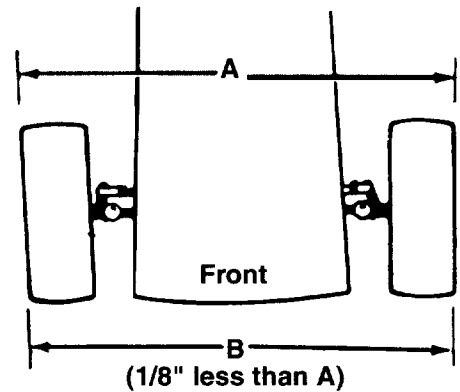


FIGURE 23.—Units with adjustable tie rods

BATTERY CARE AND MAINTENANCE (TYPE "A" BATTERY)

Type "A" batteries are sealed and are maintenance free.

BATTERY CARE AND MAINTENANCE (TYPE "B" BATTERY)

CHECK FLUID LEVEL

Check fluid level inside each cell of the battery every two weeks and before and after charging. Always keep level just below the split rings.

Add only distilled water. Never add additional acid or any other chemicals to the battery after initial activation.

NOTE: After operating the tractor for a long period of time, check the fluid level in the battery as it can overheat and lose fluid.

CHARGING THE BATTERY (All Batteries)

The engine is equipped with an alternator which charges battery when tractor is operated. Under normal conditions, the battery only needs to be charged before, during and after off-season storage. Follow the instructions under "Off-Season Storage."

To charge the battery: Battery P/N 725-1705B—Charge at 2-3 amps for one hour. Battery P/N 725-1707B and 725-0453E—Charge at 8 amps for one hour.

REMOVING / INSTALLING / JUMP STARTING



WARNING: When removing or installing the battery, follow these instructions to prevent the screwdriver from shorting against the frame.

Removing the Battery: Disconnect negative cable first, then positive cable.

Installing the Battery: Connect positive cable first, then negative cable.

Jump Starting

1. First, connect end of one jumper cable to the positive terminal of the good battery, then the other end to the positive terminal of the dead battery.
2. Connect the other jumper cable to the negative terminal of the good battery, then to the **FRAME OF THE UNIT WITH THE DEAD BATTERY**.



WARNING: Failure to use this procedure could cause sparking, and the gas in either battery could explode.

CLEAN THE BATTERY

Clean the battery by removing it from the unit and washing with a baking soda and water solution. If necessary, scrape the battery terminals with a wire brush to remove deposits. Coat terminals and exposed wiring with grease or petroleum jelly to prevent corrosion.

BATTERY FAILURES

Some common causes for battery failure are: incorrect initial activation, lack of water, adding chemicals other than water after initial activation, undercharging, overcharging, corroded connections, freezing. **These failures do not constitute warranty.**

TIRES

Maximum tire pressure under any circumstances is 30 p.s.i. Equal tire pressure should be maintained on all tires. Check tire sidewalls for proper inflation.

When installing a tire to the rim, be certain rims clean and free of rust. Lubricate both the tire and rim generously. Never inflate to over 30 p.s.i. to seat beads.



WARNING: Excessive pressure (over 30 p.s.i.) when seating beads may cause tire/rim assembly to burst with force sufficient to cause serious injury.

FUEL FILTER

Your unit is equipped with a replaceable in-line fuel filter. Replace filter whenever contamination or discoloration is noticed. Order replacement filter through your authorized engine service dealer.

BELT REPLACEMENT

Deck Belt

1. Remove the deck by following instructions on pages 8 and 9 in reverse order.
2. Remove the left hand pulley cover by unhooking the spring and removing five self-tapping screws. See figure 24.

3. Remove the first drive belt.
4. Remove the right hand pulley cover by removing three self-tapping screws.
5. Pivot the spring-loaded idler, and lift belt off.
6. Remove the belt from around the three deck pulleys.
7. Reassemble new belts in reverse order.

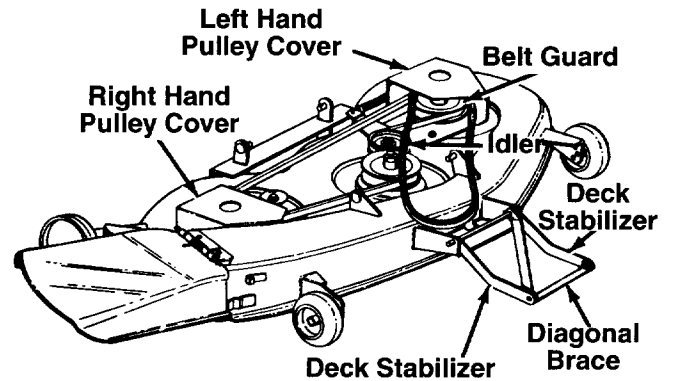


FIGURE 24.

Front Drive Belt

1. Depress the clutch pedal and set parking brake.
2. Remove the deck from the tractor.
3. Raise and block the front wheels of the tractor so you can work under it.
4. Remove the four self-tapping screws which hold the belt keeper assembly to the frame at the engine pulley. Push the belt keeper assembly forward, out of the way. See figure 25.

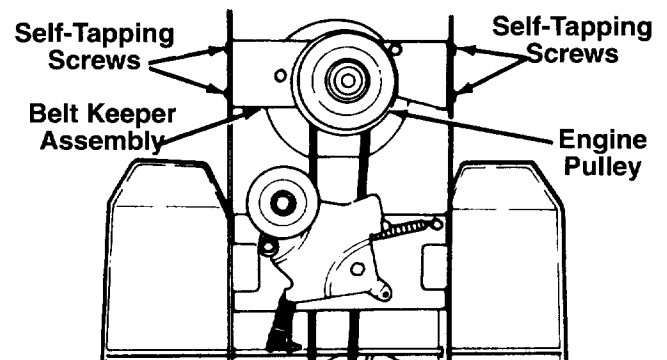


FIGURE 25.

5. Remove the two pins which act as belt keepers by the variable speed pulley. See figure 26.
6. Roll the belt off the variable speed pulley, then remove from the engine pulley.
7. Reassemble the new belt, following instructions in reverse order.

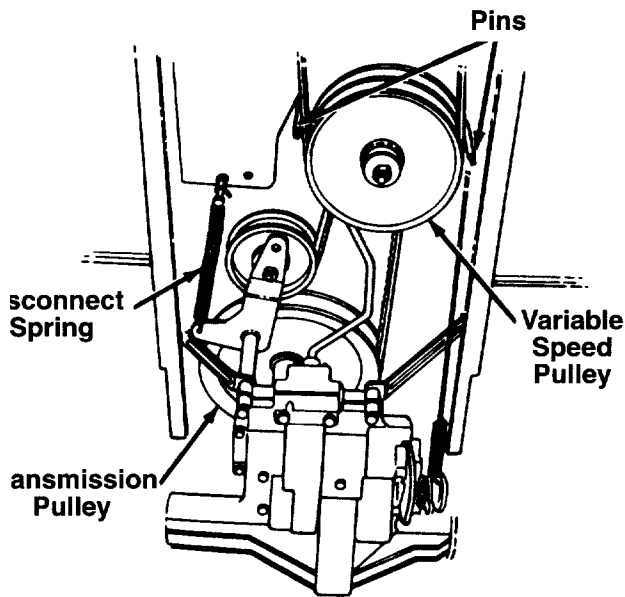


FIGURE 26.

Rear Drive Belt

1. First remove the front drive belt as instructed in the previous section.
2. Disconnect the spring which secures the idler pulley to the frame.
3. Remove the transmission cover by unscrewing the two knobs, and removing two truss machine screws.
4. Roll the belt over the top of the transmission pulley. Remove belt from the variable speed pulley.
5. Reassemble the new belt, following instructions in reverse order.

OFF-SEASON STORAGE

If the machine is to be inoperative for a period longer than 30 days, prepare for storage as follows.

1. Clean the engine and the entire unit thoroughly.
2. Lubricate all lubrication points. Wipe the entire machine with an oiled rag to protect the surfaces.
3. Refer to the engine manual for correct engine storage instructions. The engine must be completely drained of fuel and a fuel stabilizer used to prevent gum deposits from forming on essential carburetor parts, fuel lines and fuel tanks.
4. **Charge battery fully.** The battery loses some of its charge each day when the unit is not used. NEVER store battery without a full charge. Recharge battery before returning to service or every two months, whichever occurs first.
5. When storing unit for extended periods, disconnect battery cables. Removing battery from unit is recommended.
6. Store unit in a clean, dry area. Do not store next to corrosive materials, such as fertilizer.

NOTE: When storing any type of power equipment in an unventilated or metal storage shed, care should be taken to rustproof the equipment. Using a light oil or silicone, coat the equipment, especially any chains, springs, bearings and cables.

OPTIONAL EQUIPMENT

At the time of manufacture of tractor, the following optional equipment is available.

Description	Model No.
40" Single Stage Snow Thrower	OEM-190-832
45" Two Stage Snow Thrower	OEM-190-624
48" Dozer Blade	OEM-190-840
46" Deck Mulching Kit	OEM-190-118
Grass Collector	OEM-190-083
Tire Chains—23 x 9.5	OEM-190-964
100 lb. Wheel Weights	190-784-000
Sleeve Hitch Kit	OEM-190-929
Electric Lift Kit	OEM-190-749
Row Crop Cultivator	OEM-190-984
28" PTO Driven Rear Mounted Tiller	OEM-190-756
38" 8 HP Rear Mounted Tiller	OEM-190-766
Single Disc Harrow	OEM-190-980
10" Moldboard Plow	OEM-190-978
Gang Reel (Set of three)	45-0195*
38" Lawn Sweeper	45-0222*
Heavy Duty Lawn Roller	45-0179*
Heavy Duty Dump Cart	45-0171*
Tine De-Thatcher	45-0186*

*Available through your local dealer or from Agri-Fab Inc., 303 W. Raymond Street, Sullivan, Illinois 61951.

TROUBLE SHOOTING GUIDE

PROBLEM	POSSIBLE CAUSE(S)	CORRECTIVE ACTION
Engine will not crank	Safety switch button not depressed	There are two switches in the starting circuit of your unit: the clutch pedal switch and the deck lift lever switch. Make certain the actuator is fully depressing the buttons on each switch.
	Battery installed	The battery must be installed with negative terminal attached to black ground wire. Negative terminal is incorrectly identified at the post by "NEG", "N" or "-". The positive terminal, identified by "POS", "P" or "+", must be attached to the big red wire which goes to the solenoid.
	Battery is dead or weak	Check fluid level in battery. If fluid is low, fill between maximum and minimum fill lines with water. Charge with 6 amp charger until fully charged.
	Blown fuse or circuit breaker	Replace fuse with automotive type fuse. Fuses seldom fail without a reason. The problem must be corrected. Check for loose connections in the fuse holder. Replace fuse holder if necessary. A dead short may be in the cranking or charging circuit where the insulation may have rubbed through and exposed the bare wire. Replace the wire or repair with electrician's tape if the wire strands have not been damaged. Note: Look for a wire pinched between body panels, burned by the exhaust pipe or muffler or rubbed against a moving part.
Engine cranks but will not start	Throttle or choke not in starting position	Check owner's guide for correct position for throttle control and choke for starting.
	No spark to spark plug	Spark plug lead disconnected. Connect lead. Place spark plug lead away from engine block about 1/8". Crank engine. There should be a spark. If not, have engine repaired at authorized engine service dealer. Faulty spark plug. To test, remove spark plug. Attach spark plug lead to spark plug. Ground the spark plug body against the engine block. Crank the engine. The spark plug should fire at the electrode. Replace if it does not.
	No fuel to the carburetor	Gasoline tank empty. Fill. Fuel line or in line fuel filter plugged. Remove and clean fuel line. Replace filter if necessary.
	Air filter dirty	If the air cleaner is dirty, the engine may not start. Clean or replace as recommended by the engine manufacturer.
Engine smokes	Engine loses crankcase vacuum	Dipstick not seated or broken. Replace defective part. Engine breather defective. Replace.
Excessive vibration	Bent or damaged blade spindle	Stop engine immediately. Check all pulleys, blade adapters, keys, nuts and bolts for tightness and damage. Tighten or replace any damaged parts.
	Bent blade	Stop engine immediately. Replace damaged blade. Only use original equipment blades.
Mower will not discharge grass or leaves uncut strips	Engine speed low Speed selection Blades short or dull	Throttle must be set at full throttle. Use lower ground speed. The slower your ground speed, the better the quality of cut. Sharpen or replace blades (uncut strip problem only).

If the above steps fail to correct the problem, take the unit to your local authorized service dealer for repair.

Copy the information from your model plate here:

(Located Under The Seat)

MTD PRODUCTS INC
CLEVELAND, OHIO 44136

Please help us help you!

Have your model number available when you call

Engine Oil (SAE 30)	737-0208	V-Belt Front	754-0280
Throttle Control Wire 35" Lg.	746-0634	V-Belt Rear	754-0446
Throttle Control Wire 39" Lg.	746-0630	Ignition Key	725-0201
Battery (275 Cold Crank Amps)	725-1707B	46" Deck:	
Steering Wheel (3 Spoke)	731-1693	Upper Deck Belt	754-0350
Steering Wheel (4 Spoke)	631-0027	Lower Deck Belt	754-0349
Steering Wheel Cap	731-0220	Outer Blades (2 Req'd.)	742-0644
Front Wheel Cover (Optional)	731-0484A (2)	Center Blade	742-0645
Rear Wheel Cover (Optional)	731-0556 (2)	50" Deck:	
Front Wheel Bearing—Plastic	741-0516 (4)	Upper Deck Belt	754-0364
Front Wheel Bearing—Ball Bearing	741-3032 (4)	Lower Deck Belt	754-0291A
Fuse 7.5 Amp	725-1625	Blade (3 Req'd.)	742-0171B
Fuse 20 Amp	725-1381	Blade Adapter	748-0300
Head Lamp Bulbs	721-0963 (2)		

For Parts, Accessories or Service Information,

CALL NOW!

1 (800) 800-7310

The only way to ensure the performance of your product is to use original equipment parts and accessories. MTD designs and engineers quality parts to exacting specifications. When you substitute, you take a chance on quality, reliability, safety and performance. Use MTD original equipment, the best buy on the American Landscape—American Made and American Owned!



WARNING: The Engine Exhaust from this product contains chemicals known to the State of California to cause cancer, birth defects or other reproductive harm.

Free Manuals Download Website

<http://myh66.com>

<http://usermanuals.us>

<http://www.somanuals.com>

<http://www.4manuals.cc>

<http://www.manual-lib.com>

<http://www.404manual.com>

<http://www.luxmanual.com>

<http://aubethermostatmanual.com>

Golf course search by state

<http://golfingnear.com>

Email search by domain

<http://emailbydomain.com>

Auto manuals search

<http://auto.somanuals.com>

TV manuals search

<http://tv.somanuals.com>