

5-CUP | STAINLESS STEEL CARAFE

Coffee Brewer

bonavita



Model: BV1500TS

HOUSEHOLD USE ONLY

Customer Service Line:
1-855-664-1252

2-year limited warranty

bonavitaworld.com

- Simple to operate
- Optional pre-infusion cycle for better extraction of freshly roasted coffee
- Large shower head facilitates even coffee saturation
- Advanced heating logic
- Durable stainless steel thermal carafe

PLEASE READ THIS MANUAL BEFORE USE. SAVE FOR FUTURE REFERENCE.

Rev. 09/14

IMPORTANT SAFEGUARDS

This appliance is for household use only. When using electrical appliances, basic safety precautions should always be followed to avoid fires, electric shocks, burns, or other injuries and damage. Read these operating and safety instructions carefully. Call our customer service number for information on examination, repair, and adjustments; do not attempt to repair the appliance yourself.

Read all instructions

- Do not touch hot surfaces - use the handles or knobs.
- To protect against fire, electric shock and injury to persons do not immerse cord, plugs or the appliance in water or other liquids.
- Close supervision is necessary when any appliance is used by or near children.
- Unplug from outlet when not in use and before cleaning. Allow to cool before putting on or taking off parts, and before cleaning the appliance.
- Do not operate any appliance with a damaged cord or plug or after the appliance malfunctions, or has been damaged in any manner. Return appliance to the nearest authorized service facility for examination, repair or adjustment.
- The use of accessory attachments is not recommended by the appliance manufacturer and may result in fire, electrical shock or personal injury.
- Do not use outdoors or in damp areas.
- Do not let the cord hang over the edge of a table or counter.
- Do not place appliance on or near a hot electric or gas burner, or in a heated oven.
- To disconnect the appliance, turn any control to off, then remove plug from the wall outlet.
- Do not use this appliance for anything other than its intended use.

SAVE THESE INSTRUCTIONS

Additional Safeguards

- Place the appliance on a flat level surface.
- Do not attempt to operate the appliance without putting water in the tank. Only fresh, filtered, cold water should be used in the tank. Do not use hot water.
- Remove the carafe lid before brewing.
- Scalding may occur if the brewer lid is removed during the brewing cycle.
- Never remove the stainless steel carafe or filter basket during brewing cycle.
- Do not use the carafe if it has a loose or damaged handle.
- Do not clean carafe with abrasive cleansers, steel wool pads, or other abrasive material.
- Do not remove the bottom cover on the appliance. There are no user serviceable parts inside.
- The carafe is designed for use with this appliance. It must never be used on a range top.
- Make sure that the voltage in your home corresponds with the voltage indicated on the bottom of the appliance.
- If the carafe sustains a heavy

impact, it may be damaged.

Check for cracks or damage before using, especially if there are signs of leakage.

- Never lay the carafe on its side when it is full, even if the lid is firmly attached.

Power Cords

1. A short power-supply cord is provided to reduce the risks resulting from becoming entangled in or tripping over a longer cord.
2. Longer detachable power-supply cords or extension cords may be used if care is exercised in their use.
3. If a long detachable power-supply cord or extension cord is used:
 - a. The marked electrical rating of the detachable power-supply cord or extension cord should be at least as great as the electrical rating of the appliance
 - b. If the appliance is of the grounded type, the extension cord should be a grounding-type 3-wire cord; and

SAVE THESE INSTRUCTIONS

- c. The longer cord should be arranged so that it will not drape over the counter top or table top where it can be pulled on by children or tripped over.

Polarized Plug

This appliance has a polarized plug, which means that one blade is wider than the other. To reduce the risk of electric shock, this plug is designed to fit into a polarized outlet only one way. If plug does not fully fit into the outlet, reverse the plug. If it still does not fit, contact a qualified electrician. Do not attempt to modify the plug in any way.

LIMITED WARRANTY

2 year limited warranty from the date of original purchase.

1. This warranty extends only to the original retail purchaser or gift recipient. Keep the original sales receipt, as proof of purchase is required to make a warranty claim.
2. Defects that occurred due to improper connection, improper handling, or repair attempts by non-authorized persons are not covered by the warranty. The same applies for failure to comply with the use of cleaning and decalcifying agents that do not correspond to the original specifications.
3. This device was designed and built for household use only. It is not suited for other uses.
4. Damages which are not the responsibility of the manufacturer are not covered by the warranty. This is valid especially for claims arising from improper use (e.g. operation with insufficient current or improper voltage).
5. The warranty becomes void if repairs are carried out by third parties not authorized by the manufacturer and/or if spare parts are used other than the original ones.
6. Please call 1-855-664-1252 or email customersupport@bonavitaworld.com for warranty claims.

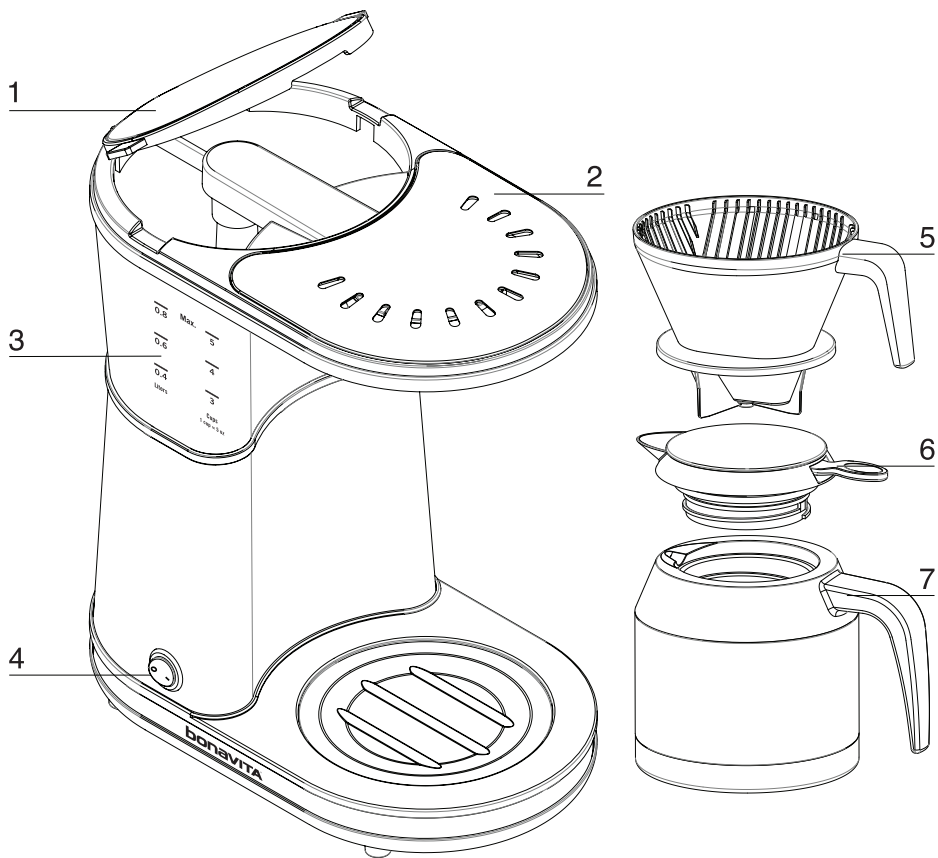
BREWING A BETTER CUP

- This Bonavita coffee brewer is engineered to heat the brewing water to within the 195°- 205°F (91°-96°C) range. The heating elements in the Bonavita coffee brewers are designed to deliver the correct temperature water over the correct brewing time.
- For ideal extraction levels, brew your coffee in 3-5 cup batches, with fresh, filtered, cold water.
- Brewing time is about 5 minutes for 5 cups of coffee. This will allow for proper water flow and saturation time.
- The quality of the coffee has a great impact on brewed coffee's flavor. Using freshly roasted beans and grinding the beans just before brewing are important considerations. We recommend using coffee within a couple of weeks of its roast date. Air tight storage will help extend your coffee's lifespan.
- Grinding coffee is another key point on the timeline of flavor and perishability. Once coffee is

ground the air begins to attack essential oils and other volatile flavor components. It's only a matter of hours before most of the ground coffee's aroma has evaporated. Sometimes pre-grinding can't be avoided, but if it can, delay until shortly before brewing.

- For the most consistent results, Bonavita recommends measuring coffee by weight, using 10 grams of coffee per cup.
- Measuring coffee by volume is less consistent. For example, two tablespoons of drip grind coffee can weigh between 6 grams of dark roast coffee to 11 grams of light roast coffee. Bonavita recommends beginning with two level tablespoons of drip grind coffee as a starting point with your preferred roast, and adjust according to your taste.
- Keep the filter basket, water tank, and carafe clean.
- For maximum heat retention we recommend rinsing the carafe with hot water shortly before the brew begins.

BREWER DIAGRAM



1. Water tank lid
2. Brewer lid
3. Water level indicator
4. On/off switch
5. Filter basket
6. Carafe lid
7. Stainless steel thermal carafe

Technical Data

Rated voltage: AC 120V, 60Hz

Rated current: 9.2A

Rated power input: 1100W

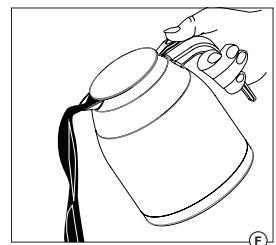
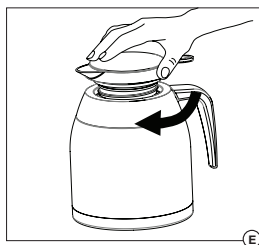
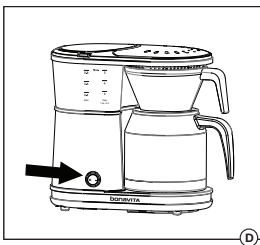
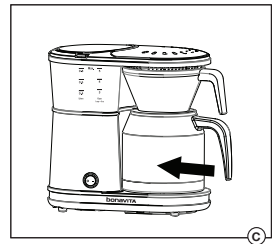
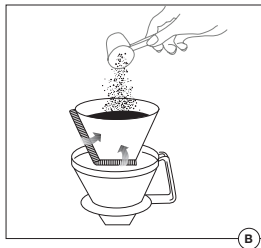
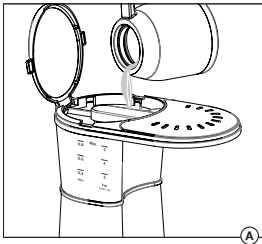
ABOUT YOUR BONAVITA COFFEE BREWER

The heaters in the Bonavita coffee brewers are designed to deliver the correct temperature water over the correct brewing time. For ideal extraction levels, brew your coffee in 3-5 cup batches. Brew with fresh, filtered, cold water whenever possible. Brewing time is about 5 minutes for 5 cups of coffee. This will allow for proper water flow and saturation time.

Before first use

1. Remove packaging materials, labels, and stickers from the coffee brewer.
2. Wash filter basket and stainless steel thermal carafe with a mild dish detergent.
3. Read the BREWING INSTRUCTIONS section.
4. Clean the brewer by filling the water tank with fresh, filtered, cold water to the MAX line.
5. Turn on the brewer, and allow the water to run through a brew cycle.
6. Let the brewer cool down for 5 minutes before repeating the process at least 2 more times before brewing coffee.

BREWING DIAGRAM



Brewing instructions

1. Set the brewer on a flat and steady surface.
2. Remove the carafe and filter basket from the brewer.
3. Raise the lid of the water tank and pour in the required volume of fresh, filtered, cold water to the desired batch size. Do not fill above the MAX line. **(Fig. A)**.
4. Place a V style filter in filter basket. We recommend a #4 Melitta filter.
5. Scoop ground coffee into the filter basket **(Fig. B)**, using 10 grams of coffee per cup.
6. If you measure coffee by volume, begin with two level tablespoons, and adjust according to your taste. This amount will vary depending upon your preferred roast. For example, two tablespoons of ground coffee can weigh between 6 grams of dark roast coffee to 11 grams of light roast coffee.
7. Place the filter basket on the carafe (without lid) and put both back into the brewer **(Fig. C)**.
8. Turn the brewer on. The on/off switch will stay lit during the brewing process **(Fig. D)**. The brewer will automatically shut off when the brewing cycle is complete. It can also be switched off manually at any time by pressing the on/off switch.
9. After the brewing process ends, remove the coffee-filled carafe

and the filter basket from the brewer.

10. For maximum heat retention place the lid on the carafe shortly after the brew cycle is complete.

(Fig. E).

11. To dispose of the used filter, dump it from the filter basket, rinse out filter basket, and set aside to dry.
12. To pour coffee from the carafe, depress the lever on the carafe lid. The lid must be tightened firmly to allow for one-handed pouring **(Fig. F).**

Optional Pre-infusion Mode – for brewing freshly roasted coffee.

1. Press and hold the on/off switch for 5 seconds.
2. It will flash indicating you have chosen the pre-infusion mode.
3. Follow the BREWING INSTRUCTIONS, making sure you press the on/off switch to begin brewing.
4. In pre-infuse mode, the on/off switch will flash during the brew cycle.
5. The brewer will remain in pre-infusion mode until the mode is turned off or the brewer is unplugged.
6. You can turn off the pre-infusion mode by pressing the on/off switch until the light flashes (5 sec.).

CLEANING AND MAINTENANCE

Proper care will ensure years of service from this coffee brewer. Aside from keeping the brewer clean and descaling when necessary, there is no user maintenance required.

This brewer contains no internal user serviceable parts. Leave servicing and repairs to qualified personnel.

CAUTION: Always unplug the coffee brewer before cleaning.

Cleaning the Coffee Brewer

Use a soft, damp cloth and a mild dish cleaning liquid for cleaning the housing.

The filter basket may be cleaned in the top rack of a dishwasher.

Cleaning the Stainless Steel Thermal Carafe

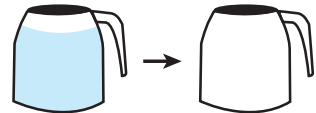
The carafe is manufactured to the highest standards, and will last for many years if handled properly. If coffee is left in the carafe for too long, the stainless lining will become discolored. For cleaning, we recommend using Full Circle coffee machine cleaning powder.



1 | Mix 1 packet cleaning powder with 32 oz of lukewarm water

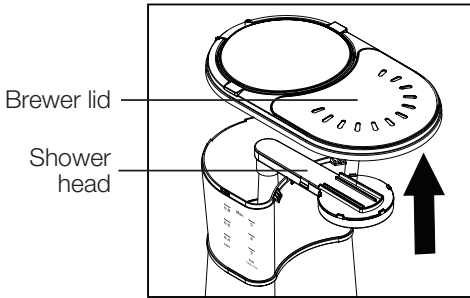


2 | Pour into Bonavita carafe



3 | Let mixture sit in carafe for 15 minutes before emptying and rinsing

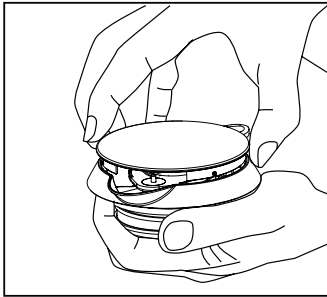
Do not use scrubbing pads or hard bristled brushes, which will damage the stainless lining.



Cleaning the Brewer Lid and Shower Head

The brewer lid and shower head are removable, and are top rack dishwasher safe.

1. Pull the front edge of the brewer lid upwards to remove.
2. Remove the shower head.
3. Clean.
4. Re-install shower head separately from brewer lid, for better shower head alignment.
5. Re-install brewer lid.



Cleaning the Carafe Lid

The carafe lid should be disassembled for cleaning, and is top rack dishwasher safe.

1. Twist the lid cap counter clockwise and lift off.
2. Clean inner parts of lid.
3. Align cap recesses with spout and carafe lid lever and press on to lid.
4. Twist cap clockwise to lock in place.

Descaling

In hard-water areas, scaling from limestone content in the water may build up in your brewer. Scaling can lead to extended preparation time and possible damage to your Bonavita coffee brewer.

We recommend that you descale your brewer after every 100 brew cycles, or once every three months. However, if the brewer makes an unusually loud noise, extends brew time, or fails to achieve the recommended water temperature of 195°-205°F (91°-96°C), you may need to descale more often.

We recommend using Full Circle descaling powder, which is designed to break down mineral build-up inside your brewer to ensure great coffee and consistent functionality. Do not use vinegar, which may not effectively descale your brewer, and may leave behind an odor that can impact the flavor of your coffee.



1 | Mix 1 packet descaler with 32 oz of lukewarm water



2 | Pour into water tank



3 | Brew



4 | Brew two more times with fresh, cold water

5 TASSES | CARAFE EN ACIER INOXYDABLE

Cafetière



Modèle: BV1500TS

**DESTINÉ À UN
USAGE DOMESTIQUE
UNIQUEMENT**

Service à la clientèle:
1-855-664-1252

Garantie limitée de
deux ans

bonavitaworld.com

- Facile à utiliser
- Cycle de préinfusion optionnel pour obtenir une meilleure extraction des grains de café fraîchement torréfiés
- La pomme de douche plus large permet une meilleure saturation du café
- Technologie de réchauffement avancée
- Carafe isolante doublée en acier inoxydable durable

**LIRE LE MANUEL D'INSTRUCTIONS AVANT L'UTILISATION ET LE
CONSERVER POUR RÉFÉRENCE ULTÉRIEURE**

Rev. 09/14

MISES EN GARDE IMPORTANTES

Cet appareil est conçu pour une utilisation domestique seulement. Lors de l'utilisation d'appareils électriques, toujours respecter les mesures de sécurité de base pour éviter le feu, les décharges électriques, les brûlures et autres blessures et les bris. Lire attentivement le mode d'emploi et les consignes de sécurité. Composer le numéro sans frais de notre service à la clientèle pour une vérification, une réparation ou un ajustement; ne pas essayer de réparer soi-même l'appareil.

Lire toutes les instructions

- Ne pas toucher aux surfaces chaudes; utiliser les poignées ou les boutons.
- Pour éviter un incendie, une décharge électrique ou une blessure, ne pas immerger le cordon, la fiche, la base ou la bouilloire dans l'eau ou un autre liquide.
- Exercer une étroite surveillance lors de l'utilisation de tout appareil électrique par des enfants ou à proximité de ceux-ci.
- Débrancher l'appareil lorsqu'il n'est pas utilisé et avant de le

nettoyer. Laisser refroidir avant d'ajouter ou enlever des parties et avant le nettoyage de l'appareil.

- N'utiliser aucun appareil dont le cordon ou la fiche est en mauvais état, qui ne fonctionne pas convenablement ou qui a été endommagé de quelque façon que ce soit. Retourner l'appareil au centre de réparation autorisé le plus près aux fins de vérification, de réparation ou d'ajustement.
- L'utilisation d'accessoires non recommandés par le fabricant de l'appareil peut causer un incendie, une décharge électrique ou des blessures.
- Ne pas utiliser l'appareil à l'extérieur ou dans des endroits humides.
- Ne pas laisser le cordon d'alimentation pendre d'une table ou d'un comptoir.
- Ne pas placer l'appareil sur le dessus ou près d'un brûleur à gaz ou électrique, ni dans un four chaud.
- Pour débrancher l'appareil, tourner n'importe quel bouton de commande en position d'arrêt et retirer la fiche de la prise murale.
- Ne pas utiliser l'appareil pour un autre usage que celui auquel il est destiné.

CONSERVER CES INSTRUCTIONS

Mises en garde additionnelles

- Placer l'appareil sur une surface plane.
- Ne pas tenter de faire fonctionner l'appareil sans eau dans le réservoir. Utiliser seulement de l'eau fraîche, filtrée et froide dans le réservoir. Ne pas utiliser d'eau chaude.
- Enlever le couvercle de la carafe avant l'infusion.
- Ne pas soulever le couvercle durant le cycle d'infusion, afin d'éviter tout risque de brûlure.
- Ne jamais enlever la carafe en acier inoxydable ou le panier à filtre durant le cycle d'infusion.
- Ne pas utiliser si la poignée de la carafe est endommagée ou desserrée.
- Ne pas nettoyer la carafe avec des nettoyeurs abrasifs, un tampon de laine d'acier ou autre matériau abrasif.
- Ne pas retirer la partie inférieure de l'appareil. Aucune pièce interne ne peut être réparée par l'utilisateur.
- La carafe est conçue pour être utilisée avec cet appareil. Elle ne doit jamais être utilisée sur une cuisinière.
- La tension dans votre maison doit correspondre à celle indiquée au

bas de l'appareil.

- Si la carafe subit un grand choc, elle pourrait être endommagée. Vérifier avant l'utilisation si la carafe a des fissures ou autres dommages, particulièrement s'il y a des signes de fuite.
- Ne jamais déposer la carafe sur le côté lorsqu'elle est pleine, même si le couvercle est fixé solidement.

Cordons d'alimentation

1. Un cordon d'alimentation court est fourni pour réduire le risque d'enchevêtrement du cordon, ou de trébuchement.
2. Des cordons d'alimentation amovibles plus longs ou des rallonges peuvent être utilisés avec circonspection.
3. Si un long cordon d'alimentation amovible ou une rallonge est utilisé:
 - a. - la capacité électrique indiquée du cordon d'alimentation ou de la rallonge doit être égale ou supérieure à celle de l'appareil;
 - b. - si l'appareil comporte une mise à la terre, la rallonge doit être un cordon d'alimentation à 3 fils avec une mise à la terre; et

CONSERVER CES INSTRUCTIONS

- c. - le cordon plus long devrait être disposé de sorte qu'il ne pende pas d'un comptoir ou d'une table pour éviter qu'un enfant ne trébuche, ne l'accroche, ou ne le tire.

Fiche polarisée

Cet appareil est équipé d'une fiche polarisée, ce qui signifie qu'une broche est plus large que l'autre. Afin de réduire le risque de décharge électrique, cette fiche ne peut être insérée dans une prise polarisée que d'une seule façon. Si la fiche n'entre pas complètement dans la prise, tourner la fiche de façon à l'inverser. Si elle ne s'insère toujours pas, contacter un électricien qualifié. Ne pas tenter de modifier la fiche d'une quelconque façon.

GARANTIE LIMITÉE

Garantie de deux ans à compter de la date d'achat du produit.

1. Cette garantie s'applique seulement à l'acheteur initial de l'appareil ou à celui à qui il a été offert. Conserver la facture comme preuve d'achat en cas de demande de service sous garantie.
2. Les défauts causés par un branchement inapproprié, une

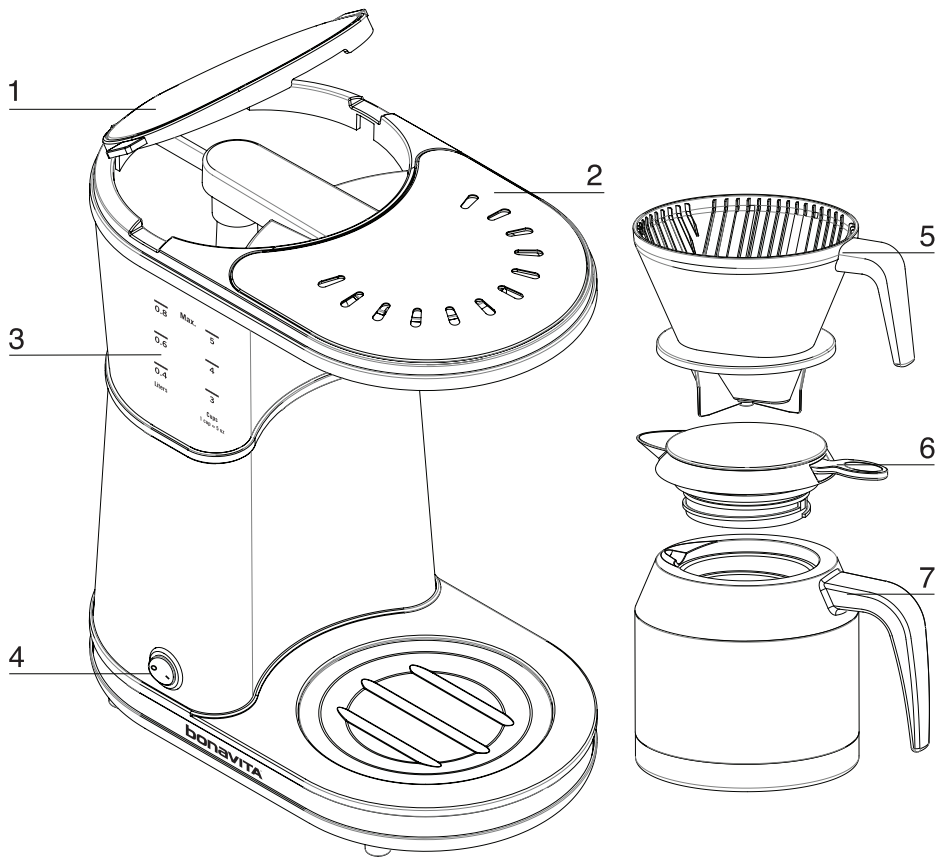
manipulation inappropriée ou une tentative de réparation par une personne non autorisée ne sont pas couverts par la garantie. Ceci s'applique également au non-respect de l'usage de produits de nettoyage et de décalcification qui ne correspondent pas aux spécifications d'origine.

3. Cet appareil a été conçu et fabriqué pour une utilisation domestique seulement. Cet appareil ne convient pas pour d'autres utilisations.
4. Les défauts qui ne sont pas sous la responsabilité du fabricant ne sont pas couverts par la garantie. Ceci concerne particulièrement les réclamations dues à une utilisation inappropriée (par ex., utilisation d'un courant insuffisant ou de la mauvaise tension).
5. La garantie est nulle et non avenue si des réparations ont été effectuées par une tierce partie non autorisée par le fabricant, et/ou si des pièces de rechange ont été utilisées à la place des pièces d'origine.
6. Veuillez composer le 1-855-664-1252 ou écrire à customersupport@bonavitaworld.com pour les réclamations au titre de la garantie.

INFUSER UN MEILLEUR CAFÉ

- Cette cafetière Bonavita est conçue pour chauffer l'eau d'infusion entre 195° et 205°F (de 91° à 96°C) degrés. L'élément chauffant des cafetières Bonavita est conçu pour offrir une eau de la bonne température, exactement au bon moment pendant le cycle d'infusion.
- Pour des niveaux d'extraction optimaux, infuser le café par quantité de 3 à 5 tasses avec de l'eau fraîche, filtrée et froide.
- Le temps d'infusion devrait être d'environ 5 minutes pour 5 tasses de café. Ceci permet à l'eau de bien se répartir et de bien saturer le café.
- La qualité du café influence fortement sur la saveur du café infusé. L'utilisation de grains de café fraîchement torréfiés et moulus juste avant l'infusion est un facteur important. Il est recommandé d'utiliser les grains de café dans les deux semaines suivant la date de torréfaction. Un contenant hermétique prolongera la durée de conservation du café
- Moudre le café est aussi un facteur essentiel concernant la saveur et la durée de conservation. Une fois le café moulu, l'air commence à s'attaquer aux huiles essentielles et autres composés volatils qui ont une influence sur la saveur. En seulement quelques heures, la majorité des arômes du café moulu s'évapore. S'il n'est pas toujours possible de moudre le café juste avant l'infusion, éviter de le moudre longtemps avant de l'infuser.
- Pour obtenir des résultats plus réguliers, Bonavita recommande de mesurer le poids du café et d'utiliser 10 grammes par tasse.
- Mesurer le volume du café donne des résultats moins réguliers. Par exemple, le poids de deux cuillères à soupe de café filtre moulu peut se situer entre 6 grammes de café noir torréfié et 11 grammes de café torréfié doux. Bonavita recommande de déposer deux cuillères à soupe combles de café filtre moulu, de la torréfaction que vous préférez, comme point de référence et d'ajuster la quantité selon votre goût.
- Garder le panier à filtre, le réservoir d'eau et la carafe propres.
- Pour une conservation maximale de la chaleur, il est recommandé de rincer la carafe à l'eau chaude juste avant de commencer l'infusion.

DIAGRAMME D'INFUSION



1. Couverture du réservoir d'eau
2. Couverture de la cafetière
3. Indicateur du niveau d'eau
4. La touche marche/arrêt
5. Panier à filtre
6. Couverture de la carafe
7. Carafe isolante en acier inoxydable

Données Techniques

Tension nominale : AC 120V, 60 Hz

Courant nominal : 9,2 A

Puissance nominale : 1100 W

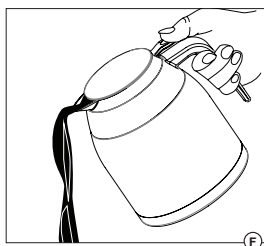
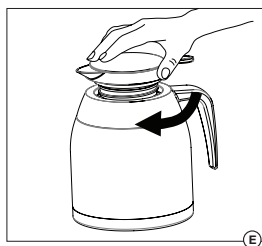
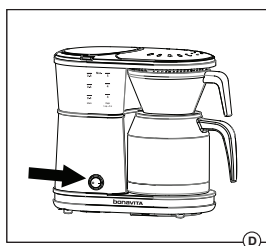
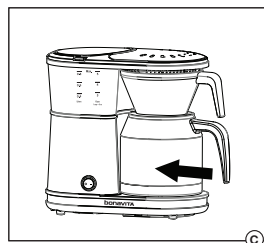
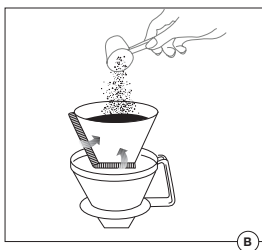
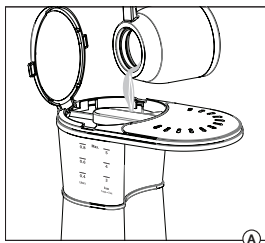
À PROPOS DE VOTRE CAFETIÈRE BONAVITA

L'élément chauffant des cafetières Bonavita est conçu pour offrir une eau de la bonne température, exactement au bon moment pendant le cycle d'infusion. Pour des niveaux d'extraction optimaux, infuser le café par quantité de 3 à 5 tasses. Faire l'infusion avec de l'eau fraîche, filtrée et froide lorsque c'est possible. Le temps d'infusion devrait être d'environ 5 minutes pour 5 tasses de café. Ceci permet à l'eau de bien se répartir et de bien saturer le café..

Avant la première utilisation

1. Retirer les matériaux d'emballage, les étiquettes et les autocollants de la cafetière.
2. Lavez le panier à filtre et la carafe isolante en acier inoxydable avec un détergent doux.
3. Lire la section des INSTRUCTIONS CONCERNANT L'INFUSION.
4. Nettoyer la cafetière en remplissant le réservoir d'eau fraîche, filtrée et froide jusqu'à l'indication du niveau d'eau maximal.
5. Mettre la cafetière en marche et permettre à l'eau d'effectuer un cycle d'infusion complet.
6. Laisser la cafetière refroidir pendant 5 minutes avant de répéter le processus au moins 2 fois avant d'infuser le café.

DIAGRAMME D'INFUSION



Instructions concernant l'infusion

1. Déposer la cafetière sur une surface plane et stable.
2. Retirer la carafe et le panier à filtre de la cafetière.
3. Soulever le couvercle du réservoir et y verser la quantité requise d'eau fraîche, filtrée et froide pour infuser la quantité de café désirée. Ne pas dépasser l'indicateur de capacité maximum (**Fig. A**).
4. Placer un filtre en papier n° 4 dans le panier à filtre. Un filtre papier de Melitta n° 4 est recommandé.
5. À l'aide de la pelle à mesurer, déposer le café moulu dans le filtre (**Fig. B**) en utilisant 10 grammes de café par tasse.
6. Si vous mesurez le volume du café, utilisez d'abord deux cuillères à soupe complètes et ajuster la quantité selon votre goût. Cette quantité peut varier selon le niveau de torréfaction que vous préférez. Par exemple, le poids de deux cuillères à soupe de café filtre moulu peut se situer entre 6 grammes de café noir torréfié et 11 grammes de café torréfié doux.
7. Placer le panier à filtre sur la carafe en acier inoxydable (sans son couvercle) et replacer les deux éléments dans la cafetière (**Fig. C**).
8. Mettre la cafetière en marche. La touche marche/arrêt demeurera allumé pendant le processus

d'infusion (**Fig. D**). La cafetière s'éteindra automatiquement à la fin du cycle d'infusion. Il est également possible de l'éteindre manuellement en tout temps, en appuyant sur la touche marche/arrêt .

9. Lorsque l'infusion est terminée, retirer la carafe contenant le café et le panier à filtre de la cafetière.
10. Pour conserver la chaleur au maximum, placer le couvercle sur la carafe peu de temps après le cycle d'infusion (**Fig. E**).
11. Utiliser le panier à filtre pour jeter le filtre usagé; rincer le panier à filtre et laisser sécher à l'air.
12. Pour verser le café de la carafe en acier inoxydable, appuyer sur le levier du couvercle de la carafe. Le couvercle doit être serré fermement pour permettre le versement à une main (**Fig. F**).

Mode de préinfusion facultatif

– pour infuser du café fraîchement torréfié.

1. Maintenir la touche marche/arrêt enfoncée pendant 5 secondes.
2. Le voyant clignotera, indiquant que vous avez choisi le mode de préinfusion.
3. Suivre les INSTRUCTIONS D'INFUSION en s'assurant d'appuyer sur la touche marche/arrêt pour commencer l'infusion.
4. En mode de préinfusion, la touche marche/arrêt clignotera lors du cycle d'infusion.
5. La cafetière demeurera en mode préinfusion jusqu'à ce que ce mode soit désactivé ou que la cafetière soit débranchée.
6. Vous pouvez enlever la fonction de mouillage préalable en pressant l'indicateur marche/arrêt jusqu'à ce que la lumière clignote (cinq sec.).

NETTOYAGE ET ENTRETIEN

Un entretien approprié vous permettra de profiter de votre cafetière pendant de nombreuses années. À l'exception du nettoyage de la cafetière et du détartrage au besoin, aucun autre entretien n'est requis.

Cette cafetière ne contient aucune pièce interne à entretenir par l'utilisateur. Confier l'entretien et la réparation à un technicien qualifié.

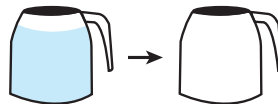
MISE EN GARDE: Toujours débrancher la cafetière avant le nettoyage



1 Mélanger 1 sachet à 960 ml (32 oz liq.) d'eau tiède



2 Verser le mélange dans la carafe



3 Permettre au mélange de reposer dans la carafe pendant 15 minutes avant de la vider et de la rincer

ou de brosse à poils durs qui pourraient endommager la doublure en acier inoxydable.

Nettoyage de la cafetière

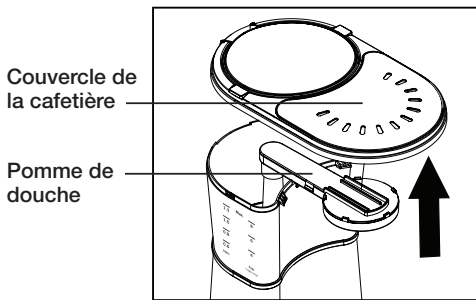
Utiliser un linge doux et humide avec un nettoyant à vaisselle liquide doux pour nettoyer la base.

Le panier à filtre peut être nettoyé dans le panier supérieur du lave-vaisselle.

Nettoyer la carafe isolante en acier inoxydable

La carafe en acier inoxydable est fabriquée selon les normes les plus élevées; entretenue avec soins, elle durera de nombreuses années. Si le café est laissé dans la carafe trop longtemps, l'acier inoxydable peut se décolorer. Pour la nettoyer, nous recommandons d'utiliser la poudre de nettoyage et un cycle d'infusion complet.

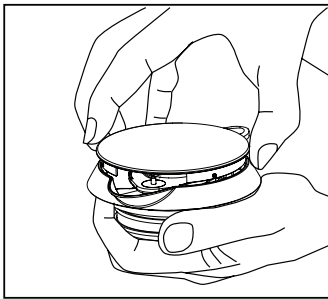
Ne pas utiliser de tampon à récurer



Nettoyage du couvercle de la cafetière et de la pomme de douche

Le couvercle et la pomme de douche sont amovibles et peuvent être nettoyés en utilisant le panier supérieur du lave-vaisselle.

1. Tirer délicatement l'avant du couvercle de la cafetière vers le haut pour le retirer.
2. Retirer la pomme de douche.
3. Nettoyer.
4. Replacer la pomme de douche séparément du couvercle de la cafetière, pour mieux aligner la pomme de douche.
5. Replacer le couvercle de la cafetière.



Nettoyage du couvercle de la carafe

Le couvercle de la carafe doit être démonté pour le nettoyage et peut être nettoyé sur le panier supérieur du lave-vaisselle.

1. Tourner le dessus du couvercle dans le sens horaire et le soulever.
2. Nettoyer les parties internes du couvercle.
3. Aligner les renforcements avec le bec et le levier du couvercle de la carafe et appuyer sur le couvercle.
4. Tourner le dessus du couvercle dans le sens horaire pour le bloquer en place.

DÉTARTRAGE

Dans les cas où l'eau est dure, des dépôts de calcaire contenus dans l'eau peuvent s'accumuler dans votre cafetière. Ces dépôts peuvent ralentir le temps de préparation et ils pourraient même endommager votre cafetière Bonavita.

Nous vous recommandons de détartrer votre cafetière après 100 cycles d'infusion, ou tous les trois mois. Toutefois, si la cafetière fait un bruit inhabituel, prolonge l'infusion ou n'atteint pas la température de 91 °C (195 °F) à 96 °C (205 °F), il est peut-être nécessaire de la détartrer plus souvent.

Nous vous recommandons d'utiliser la poudre détartrante Full Circle, qui est conçue pour dissoudre les dépôts de minéraux dans votre cafetière, de manière à garantir un excellent café et une fonctionnalité constante. N'utilisez pas de vinaigre, ce qui peut détartrer efficacement votre cafetière, mais qui peut laisser une odeur qui aura un impact sur la saveur de votre café.



1 | Mélanger 1 sachet à 1 l (32 oz liq.) d'eau tiède



2 | Verser le mélange dans le réservoir



3 | Infuser



4 | Répéter deux fois avec de l'eau fraîche, filtrée et froide

Free Manuals Download Website

<http://myh66.com>

<http://usermanuals.us>

<http://www.somanuals.com>

<http://www.4manuals.cc>

<http://www.manual-lib.com>

<http://www.404manual.com>

<http://www.luxmanual.com>

<http://aubethermostatmanual.com>

Golf course search by state

<http://golfingnear.com>

Email search by domain

<http://emailbydomain.com>

Auto manuals search

<http://auto.somanuals.com>

TV manuals search

<http://tv.somanuals.com>