



RECYCLABLE PACKAGING

*BONTRAGER & BONTRAGER B-DOT ARE REGISTERED TRADEMARKS OF
TREK BICYCLE CORPORATION. ©2007 TREK BICYCLE CORPORATION,
WATERLOO, WISCONSIN 53594 USA. ALL RIGHTS RESERVED.*

Part Number 284206



BONTRAGER

*English
Español
Deutsch
Français*

*Race X Lite
Aerobar Owner's Manual*



BONTRAGER™

Race X Lite Aerobar Manual

READ THIS MANUAL BEFORE YOU RIDE

Please read this instruction manual thoroughly before using your new aerobar; it contains important safety and maintenance information. Also check our web site for further information or updates. If you do not understand the information, or you have a question about your aerobar that this manual does not cover, consult your Bontrager dealer. If you have a question or problem that your Bontrager dealer can't handle, contact us at:


Bontrager Components 920.478.4678
Attn: Customer Service <http://www.bontrager.com>
801 W. Madison Street
Waterloo, Wisconsin 53594

Contents

Conditions for use	1
Safe use	2
Inspect the aerobar before every ride	2
Test ride the aerobar before your first ride	5
Only install and use approved accessories	5
Maintenance	6
Adjust the position	6
Keep all fasteners tight.....	6
Remove the arm pads before transporting on a car	7
Installation.....	8
Bontrager limited warranty	14
Carbon crash replacement policy	15

CONDITIONS FOR USE

Many bicycle parts are intended to be used in a specific type or condition of riding. It is unsafe to use a bicycle or part in a condition higher than the condition for which it is intended, as listed below:

	Use Condition	Bontrager part
	Riding on a paved surface where the tires do not lose ground contact	All Bontrager aerobars

For more information about Use Conditions, visit our web site at <http://www.bontrager.com>.



In this manual, the Safety Alert Symbol is used to alert you to potential personal injury hazards. Obey all safety messages that follow this symbol to avoid possible injury or death.

SAFE USE



The following information is very important for your safety.

WARNING! Failure to follow the safety information in this manual may result in failure of the aerobar resulting in serious personal injury or death.

Inspect the aerobar before every ride

Before every ride, complete the following check list to inspect the aerobar and its connected parts: the handlebar, stem, and fork. If any part of the bicycle fails the inspection, repair the bicycle by following the information provided in this manual or take the bicycle to your dealer for service. Never ride a bicycle with a damaged part; replace the part.



Check the handlebar and stem

Make sure the stem is aligned with the front wheel. Test the stem connection to the fork by attempting to turn the handlebar from side to side with the front wheel locked between your knees (Figure 1). Test the security of the handlebar by attempting to rotate it in the stem. It should not move or be loose. Make sure that no



Figure 1- Function testing the handlebar and stem

cables are stretched or pinched by rotating the handlebar.

Check that the aerobar cannot rotate around the handlebar. Check that the handlebar plugs are properly inserted into both ends of the aerobar. If your bicycle fails a test, see the Maintenance section or take the bicycle to your dealer for service.



Check the aerobar for fatigue or impact damage

Before and after each ride, carefully inspect your aerobar for signs of impact or fatigue stress:

- Dents
- Cracks
- Scratches
- Deformation
- Discoloration
- Noise

Even if you perform regular inspections, if you exceed the limit of strength of a given part, it may fail if overloaded. After any high force load, thoroughly inspect all the parts of your bicycle. High



WARNING

A damaged carbon fiber part can fail suddenly. Inspect your carbon fiber bicycle or parts for damage frequently. If you have crashed or impacted your bicycle, or suspect a carbon part is damaged, IMMEDIATELY STOP RIDING YOUR BICYCLE. Take it to your dealer for inspection, service, and evaluation under the crash replacement policy.

force loads include crashes, but you don't have to crash to put a high force load on your bicycle. For example, hitting a large hole in the road or a sharp bump such as a railroad track can put large forces on your bicycle.

The manner in which you ride will determine whether your bicycle and its parts will last. If you ride hard or aggressively, you should replace the bicycle and/or its parts more often than riders who ride smoothly or cautiously. When evaluating your use of the bike or part, there are many variables: weight, speed, technique, terrain, maintenance, riding environment (humidity, salinity, temperature, etc.), and the frame or part itself—so it is impossible to give a precise timetable for replacement. But as a rule, it is better to err on the safe side and replace the bicycle or parts more frequently. If you aren't sure, ask your dealer.

Carbon fiber composite inspection procedures

Carbon fiber is among the strongest materials used in bicycle manufacture. However, carbon fiber has unique qualities, different from metal parts, and must be inspected carefully for damage.

Inspecting carbon fiber parts

Unlike metal parts, carbon fiber parts that have been damaged may not bend, bulge, or deform; a damaged part may appear to be normal to a cursory glance. Use the following procedures to inspect carbon fiber parts (*These tests may not be conclusive*):

- Check for scratches, gouges, or other surface problems.
- Check the part for loss of rigidity.
- Check the part for delamination.
- Listen for unusual creaking or clicking noises.

The tests are difficult to describe, so we provide a movie of

inspecting a carbon fiber part in the owner's manual section of the Bontrager web site as an aid to describing the tests. If you have any doubts about the integrity of a part, do not ride the bicycle.

Test ride the aerobar before your first ride

Be extra careful when using aerobars for the first time. Riding with aerobars requires a position that may be new or different, and the bicycle may steer or handle differently. Practice using these aerobars in a low traffic area to become accustomed to any changes in the steering or handling characteristics.

Also, look forward when riding. Do not look down at the ground.

Only install and use approved accessories

Not all accessories are compatible or safe, so only add accessories that are approved by the manufacturer. As an example, the clamp design on some parts applies a powerful but uneven force, which

WARNING

Never modify your aerobar in any way, including sanding, drilling, filing, removing redundant retention devices, or by any other technique. Such modifications will void your warranty, may cause your aerobar to fail, and may contribute to loss of control resulting in personal injury or death.

can crush or damage the part to which it clamps. If you are unsure whether a part is approved, consult your dealer.

MAINTENANCE

This section explains the possible adjustments to the position of your aerobar and the maintenance that you should regularly perform.

Adjust the position

The Race X Lite aerobar offers several adjustments to provide an increase in comfort or aerodynamics. For instructions on how to perform these adjustments, read the Installation section.

Extension tube length- the distance from the handlebar to the ends of the extension tubes. Slide the extension tubes forward or backward in the extension tube clamps. Leave at least 15 mm of extension tube exposed behind the clamp.

Extension tube angle- the angle of the aerobar. Rotate the handlebar clamp on the handlebar.

Arm width- the width of the arm rests. Move the arm rests on the arm rest adjusters, or move the handlebar clamps on the handlebar.

Arm pad position- the position of the arm rests relative to the front of the bike. Move the arm rests forward or backwards on the width adjusters. Choose from one of four possible positions.

Arm pad angle- the angle of the arm rests. Rotate the brackets on the extension tubes.

Keep all fasteners tight



Follow these maintenance suggestions to keep your aerobar in correct condition.

Once a month

Check that all the fasteners (screws or bolts) on your aerobar are tightened correctly:

- Handlebar clamp bolts: 100 lb•in (11.3 N•m)
- Extension tube pinch bolts: 60 lb•in (6.7 N•m)
- Width adjusters attachment bolts: 60 lb•in (6.7 N•m)
- Arm pad holder screws: 30 lb•in (3.4 N•m)

Tighten threaded fasteners correctly

All fasteners must be tightened to Bontrager (or the bicycle manufacturer's) specifications. A threaded fastener that is too loose can result in a part coming loose. The torque specifications should be used to make sure you do not over-tighten a fastener. Applying more than the recommended torque to a fastener does not provide extra holding power, and may actually lead to damage or failure of a part. If a part that is tightened to the correct torque is still loose, take the bicycle to your dealer for service.

During production, threaded areas of all fasteners have been pre-treated with a special blue thread-locking compound. This special compound is easy to detect. If you cannot detect this thread locking compound or if you have cleaned it off through normal maintenance, re-apply a suitable blue thread-locking compound such as Loctite[®] 242 before assembly.

Do not grease the handlebar clamping area. This may cause the aerobar to slip while riding.

Remove the arm pads before transporting on a car

When carrying your bicycle on a roof rack, remove the arm pads.

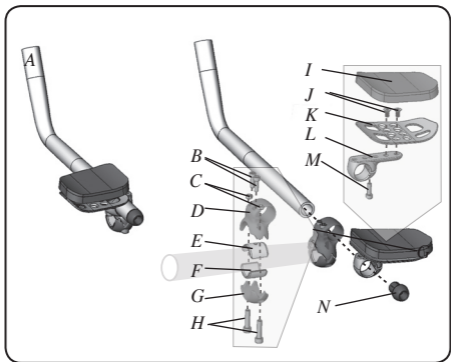


Figure 2 Race X Lite aerobar parts

Parts List

	Part name	Quantity
A	Extension tube	2
B	Bolt, extension tube pinch	4
C	Nut, handlebar clamp	4
D	Bracket, upper handlebar clamp	2
E	Shim, upper	2
F	Shim, lower	2
G	Bracket, lower handlebar clamp	2
H	Bolt, handlebar clamp, M6 x 18	4
I	Arm pad, right	1
	Arm pad, left (not shown)	1
J	Screw, arm pad holder	4
K	Arm pad holder, right	1
	Arm pad holder, left (not shown)	1
L	Pad width adjuster	2
M	Bolt, width adjuster pinch	2
N	Cable guide plug	2

INSTALLATION

Incorrect installation of the aerobar could cause you to lose control and fall from your bicycle. If you are not familiar with the installation of aerobars, have your dealer install them.

Before installing your aerobar, read the Safety information.

Note to Dealers: If you install this product for the consumer, please provide him or her with this owner's manual after installation of the aerobar.

Make sure this aerobar is compatible with your bicycle

Some lightweight aluminum or carbon fiber handlebars are not compatible with aerobar assemblies; refer to the handlebar manufacturer's installation instructions.

This aerobar is designed to fit handlebars with either a 26.0 mm or 31.8 mm stem clamp diameter using the following parts:

- For a 26.0 mm handlebar, use the four shims (two each, E and F, Figure 2) included with this aerobar assembly.
- For a 31.8 mm handlebar, no shims are required.

Tools and materials required:

- 3, 4, and 5 mm allen wrenches
- Torque wrench

To install the extension tubes to the handlebar

The following letter references (A, B, C, etc.) are for Figure 2.

1. Determine the desired aerobar width.

If needed, unwrap the top section of handlebar tape to attain the desired width.

2. Attach the upper brackets (D) and lower brackets (G) to the handlebar. Insert two handlebar clamp bolts (H) through each upper bracket and lower bracket, and into the nuts (C), which fit into the upper bracket.

For a 26.0 mm handlebar, use the shims (E and F) listed above. Locate and place the dimple on the shim into the recess of the bracket. If the dimple is in the recess, it will prevent each shim from rotating.

3. Tighten the handlebar clamp bolts (H) to 100 lb•in (11.3 N•m).
4. Slide the left and right extension tubes (A) through the upper brackets (D) and adjust the position of the extension tubes to the desired length and rotational angle.
Leave a minimum of 15 mm of extension tube exposed behind the clamp of the upper bracket.
5. Insert the extension tube pinch bolts (B) and tighten to 60 lb•in (6.7 N•m).
Do not overtighten bolts, as this may damage the carbon tube.
6. Slide the left pad width adjuster (L) and right pad width adjuster (L) onto the extension tubes.
7. Insert the width adjuster pinch bolts (M).
8. Adjust the angle of the width adjusters. Rotate the bracket to the desired angle, and tighten the pinch bolts to 60 lb•in (6.7 N•m).
Note that extreme angle adjustment might limit the ability of the arm pad holders to align correctly.

To install the arm pad holders and arm pads

The width of the arm pad holders can be customized to suit your body type and riding style.

1. Insert two arm pad holder screws (J) through the desired holes of the left and right arm pad holders (K) and into the pad width adjusters (L).
2. Tighten each arm pad holder screw to 30 lb•in (3.4 N•m).
Two screws are required per side to prevent the arm pad holders from spinning on the arm width adjusters.
3. Repeat on the second arm pad holder.
4. Place the arm pads on the hook-and-loop fasteners of the arm pad holders.

To install shift levers

If you wish to install bar end shift levers into the tip of the Race X Lite® extension tubes (A), slide the control cables and housing through the cable guide plug (N). Do not drill or cut the extension tubes. Tighten the shift lever mounting bolt until the shift lever is firmly in place.

Do not over tighten the shift lever mounting bolt as this may damage the carbon extension tube. Do not exceed 45 lb•in (5 N•m).

To check the installation

Re-check all fasteners for tightness after the first use of the aerobar and periodically thereafter to insure secure attachment of the aerobar.

BONTRAGER LIMITED WARRANTY

Bontrager warrants each new Bontrager component or wheelset against defects in workmanship and materials:

For five years-

- All Bontrager components and accessories, except consumables such as tires and inner tubes.

For one year-

- Bontrager consumables such as tires and inner tubes.

This warranty does not cover-

- Normal wear and tear
- Improper assembly
- Improper follow-up maintenance
- Installation of parts or accessories not originally intended for or compatible with the Bontrager components or wheelsets as sold
- Damage or failure due to accident, misuse, abuse, or neglect
- Labor charges for part replacement or changeover

This warranty is void in its entirety by any modification of the wheelset or components.

This warranty is expressly limited to the repair or replacement of a defective item and is the sole remedy of the warranty. This warranty extends from the date of purchase, applies only to the original owner, and is not transferable. Bontrager is not responsible for incidental or consequential damages. Some states do not allow the exclusion of incidental or consequential damages, so the above exclusion may not

apply to you.

Claims under this warranty must be made through an authorized Bontrager dealer. Proof of purchase is required.

This warranty gives the consumer specific legal rights, and those rights may vary from place to place. This warranty does not affect the statutory rights of the consumer.

Carbon crash replacement policy

Assessing any damage done to a carbon fiber part requires more experience than is needed to inspect metal parts. If you crash or impact your bicycle and the force of the impact is absorbed by a carbon part, we strongly encourage you to replace the part, even if there are no indications of damage.

If such a crash or impact occurs, Bontrager offers a crash replacement program for carbon parts, substantially reducing any replacement cost. To take advantage of this program, contact us using the information listed in the front of this manual and ask for the Warranty department.



BONTRAGER™

Manual del manillar aerodinámico Race X Lite

LEA ESTE MANUAL ANTES DE UTILIZAR EL MANILLAR AERODINÁMICO

Lea detenidamente este manual de instrucciones antes de empezar a utilizar el manillar aerodinámico; contiene información importante de mantenimiento y seguridad. Consulte también nuestra página web para obtener más información o actualizaciones. Si tiene dudas o preguntas sobre el manillar aerodinámico que no pueda resolver con esta documentación, consulte con su distribuidor de Bontrager. Si tiene alguna duda o algún problema que su distribuidor de Bontrager no pueda solucionar, póngase en contacto con nosotros en la dirección:

Bontrager Components 920.478.4678
Attn: Customer Service <http://www.bontrager.com>
801 W. Madison Street
Waterloo, Wisconsin 53594


Contenido

Condiciones de uso	1
Uso seguro	2
Inspección del manillar aerodinámico antes de cada uso... 2	
Conducción de prueba con el manillar aerodinámico antes del primer uso.....	5
Uso e instalación exclusiva de accesorios aprobados	5
Mantenimiento	6
Sujeción de los elementos de fijación	6
Instalación	8
Garantía limitada de Bontrager	14
Política de sustitución de piezas de carbono por accidente	15

Español i

CONDICIONES DE USO

Muchas piezas de bicicleta están diseñadas para su uso en condiciones o tipos de ciclismo específicos. Es peligroso utilizar una bicicleta o una pieza en condiciones más extremas a las indicadas en la lista siguiente:

	Condiciones de uso	Pieza de Bontrager
 For riding on pavement only	Conducción en una superficie pavimentada donde las cubiertas no pierden el contacto con el terreno	Todos los manillares aerodinámicos Bontrager

Para obtener más información sobre las condiciones de uso, visite nuestra página web en la dirección <http://www.bontrager.com>.



En este manual, el símbolo de alerta de seguridad sirve para advertir al lector de los posibles riesgos de sufrir heridas. Respete todos los mensajes de seguridad que aparecen tras este símbolo para evitar posibles heridas o incluso la muerte.

USO SEGURO

La información siguiente es de vital importancia para su seguridad.



ADVERTENCIA: Si no sigue las instrucciones de seguridad de este manual, el manillar aerodinámico podría fallar, lo que podría ocasionarle lesiones graves o incluso la muerte.

Inspección del manillar aerodinámico antes de cada uso

Antes de subirse a la bicicleta, realice las comprobaciones siguientes para inspeccionar el manillar aerodinámico y las piezas conectadas al mismo: el manillar, el vástago y la horquilla. Si alguna de las piezas de la bicicleta no supera la inspección, repárela de acuerdo con la información proporcionada en este manual o llévala a su distribuidor para que efectúe el mantenimiento necesario. No conduzca nunca una bicicleta con una pieza dañada; sustituya la pieza afectada.



Inspección del manillar y el vástago

Asegúrese de que el vástago está alineado con la rueda delantera. Compruebe la conexión entre este y la horquilla intentando girar el manillar de un lado a otro mientras retiene la rueda delantera entre sus piernas (Figura 1). Compruebe la seguridad del manillar intentando girarlo en el vástago. No debería haber ninguna holgura ni acusar ningún movimiento. Gire el manillar y compruebe que los cables no quedan tirantes ni apresados por ninguna de las piezas de la bicicleta.



Figura 1. Comprobación de las funciones del manillar y el vástago

Asegúrese de que el manillar aerodinámico no gira alrededor del manillar. Compruebe que los tapones del manillar están correctamente insertados en ambos extremos del manillar aerodinámico. Si la bicicleta no supera alguna de las pruebas, consulte la sección “Mantenimiento” más abajo o llévala a su distribuidor para que realice las reparaciones oportunas.

Comprobación de indicios de fatiga o impactos en el manillar aerodinámico

Antes de cada uso, inspeccione detenidamente el manillar aerodinámico para comprobar si existen indicios de impactos o fatiga por desgaste:

- Abolladuras
- Grietas
- Arañazos
- Deformaciones
- Decoloración
- Ruidos

Aunque lleve a cabo revisiones periódicas, si excede el límite de resistencia de alguna pieza, la sobrecarga puede provocar algún fallo. Revise minuciosamente todas las piezas de la bicicleta tras cualquier situación de sobrecarga. Los golpes también se consideran



ADVERTENCIA

Una pieza de fibra de carbono dañada puede fallar repentinamente. Revise con frecuencia las piezas y la bicicleta de fibra de carbono para detectar posibles daños. Si su bicicleta ha sufrido un impacto o un golpe, o sospecha que se ha dañado alguna de las piezas de carbono, DETENGA LA BICICLETA INMEDIATAMENTE. Llévela a su distribuidor para que efectúe los trabajos de inspección, mantenimiento y reparación acordes con la política de sustitución de piezas vigente.

sobrecargas, aunque no es necesario que se produzca ninguno para someter la bicicleta a una carga de alta intensidad. Por ejemplo, la bicicleta se verá sometida a intensas fuerzas si impacta contra un agujero de la carretera o contra salientes pronunciados, como los de una vía de tren.

El modo de conducción determinará la duración de la bicicleta y de sus piezas. Si su conducción es dura y agresiva, deberá sustituir la bicicleta o sus piezas con mayor frecuencia que si fuera una conducción suave y precavida. Existen muchas variables en la evaluación del uso de la bicicleta o las piezas: el peso, la velocidad, la técnica, el terreno, el mantenimiento, el entorno de conducción (humedad, salinidad, temperatura, etc.), así como el cuadro o la pieza en cuestión; por ello, es imposible ofrecer un calendario preciso de sustituciones. No obstante, como norma general, es mejor ser precavidos en exceso y sustituir la bicicleta o sus piezas con mayor frecuencia. Si tiene alguna duda, consulte con su distribuidor.

Procedimientos de inspección del compuesto de fibra de carbono

La fibra de carbono es uno de los materiales más resistentes que se utilizan en la fabricación de bicicletas. No obstante, la fibra de carbono tiene cualidades únicas, diferentes de las piezas de metal y se debe inspeccionar cuidadosamente para detectar daños.

Inspección de las piezas de fibra de carbono

A diferencia de las piezas metálicas, las piezas de fibra de carbono dañadas no se doblan, abollan ni deforman; una pieza dañada puede parecer normal a simple vista. Realice los procedimientos siguientes para inspeccionar las piezas de fibra de carbono (*es posible que los resultados de estas pruebas no sean concluyentes*):

- Examine la superficie para detectar posibles arañazos, grietas u otros daños.

- Compruebe si la pieza ha perdido rigidez.
- Examine la pieza para comprobar que no se ha producido su laminación.
- Escuche con atención para detectar crujidos inusuales o ruidos anómalos.

Es difícil describir las pruebas, por lo que incluimos una filmación sobre el procedimiento de inspección de una pieza de fibra de carbono en la sección del manual del propietario de la página web de Bontrager como ayuda para la descripción de las pruebas. En caso de duda acerca de la integridad de una pieza, no utilice la bicicleta.

Conducción de prueba con el manillar aerodinámico antes del primer uso

Sea extremadamente precavido cuando utilice manillares aerodinámicos por primera vez. La conducción con manillares aerodinámicos requiere que el ciclista se coloque en una posición que puede resultar nueva o distinta, y es posible que obligue a conducir o maniobrar la bicicleta de un modo distinto. Practique el ciclismo con este tipo de manillares aerodinámicos en zonas con poco tráfico para acostumbrarse a cualquier cambio en las características de conducción o maniobrabilidad.

Cuando conduzca, mire hacia el frente y no hacia el suelo.



ADVERTENCIA

No efectúe ninguna modificación en el manillar aerodinámico, ya sea mediante lijado, perforación, limadura, retirada de dispositivos obsoletos de retención o cualquier otro método. Estas modificaciones anularán la garantía, pueden provocar fallos del manillar aerodinámico y hacerle perder el control, lo que puede ocasionarle heridas o incluso la muerte.

MANTENIMIENTO

En esta sección se describen los posibles ajustes de posición del manillar aerodinámico y los trabajos de mantenimiento que se deben realizar periódicamente.

Ajuste de la posición

Para obtener información sobre cómo realizar estos ajustes, lea la sección “Instalación”.

Longitud de los tubos prolongadores: distancia desde el manillar hasta los extremos de los tubos prolongadores. Deslice los tubos prolongadores hacia adelante o hacia atrás en sus abrazaderas. Deje al menos 15 mm de dichos tubos expuestos tras la abrazadera.

Ángulo de los tubos de extensión: ángulo del manillar aerodinámico. Gire la abrazadera del manillar en el manillar.

Anchura de los brazos: anchura del reposabrazos. Desplace el reposabrazos en los reguladores correspondientes, o bien desplace las abrazaderas del manillar en el manillar.

Posición de las almohadillas para los codos: posición del reposabrazos en relación con la parte frontal de la bicicleta. Desplace el reposabrazos hacia delante o hacia atrás en los reguladores de anchura. Seleccione una de las cuatro posiciones posibles.

Ángulo de las almohadillas: ángulo de los reposabrazos. Gire los soportes en los tubos prolongadores.

Sujeción de los elementos de fijación

Siga estas recomendaciones de mantenimiento para mantener el manillar aerodinámico en buenas condiciones.

Una vez al mes

Compruebe que todos los elementos de fijación (tornillos o pernos) del manillar aerodinámico están bien apretados:

- Pernos de sujeción del manillar: 11,3 N•m
- Pernos de sujeción de los tubos prolongadores: 6,7 N•m
- Pernos de fijación de los reguladores de anchura: 6,7 N•m
- Tornillos del soporte de las almohadillas: 3,4 N•m

Sujeción correcta de los elementos roscados

Todos los elementos de fijación deben apretarse de acuerdo con las especificaciones de Bontrager (o el fabricante de la bicicleta). Si un elemento roscado no está bien apretado, la pieza puede quedar suelta. Siga las especificaciones de par de torsión para evitar un apriete excesivo del elemento de fijación. La aplicación de un par superior al recomendado no se traduce en una mejor fijación; al contrario, puede dar lugar al deterioro o fallo de una pieza. Si aprieta una pieza según el par de torsión indicado y ésta parece que sigue estando mal fijada, lleve la bicicleta al distribuidor para que efectúe el mantenimiento oportuno.

Durante el proceso de producción, las áreas roscadas de todos los elementos de fijación han sido pretratadas con un compuesto fijador de roscas especial de color azul, fácil de detectar. Si no consigue detectarlo o si lo ha eliminado a base de realizar tareas de limpieza en las operaciones de mantenimiento habituales, aplique de nuevo un compuesto fijador de roscas de color azul como, por ejemplo, Loctite® 242, antes de iniciar el montaje.

No lubrique el área de fijación del manillar, ya que este podría resultar resbaladizo durante la conducción.

Extracción de las almohadillas para los codos antes de transportar la bicicleta en un vehículo

Si va a transportar la bicicleta en la baka del coche, retire las almohadillas para los codos.

INSTALACIÓN



La instalación incorrecta del manillar aerodinámico podría hacerle perder el control y ocasionarle una caída. Si no está familiarizado con la instalación de manillares aerodinámicos, solicite a su distribuidor que lo instale.

Antes de instalar el manillar aerodinámico, lea la información de seguridad.

Nota para los distribuidores: Si realiza la instalación para el cliente, devuélvale el manual del propietario tras la instalación del manillar aerodinámico.

Comprobación de que el manillar aerodinámico es compatible con la bicicleta

Algunos manillares de aluminio ligero o fibra de carbono no son compatibles con los manillares aerodinámicos. Consulte las instrucciones de instalación del fabricante del manillar.

Este manillar aerodinámico está diseñado para manillares con una abrazadera de vástago de 26,0 ó 31,8 mm de diámetro que utilicen las piezas siguientes:

- En el caso de un manillar de 26,0 mm, se requieren las cuatro cuñas (dos de cada, E y F, Figura 2) incluidas con este manillar aerodinámico.
- En el caso de un manillar de 31,8 mm, no se requieren cuñas.

Herramientas y material necesario:

- Llaves Allen de 3, 4 y 5 mm
- Llave dinamométrica

Lista de piezas

	Nombre de la pieza	Cantidad
A	Tubo prolongador	2
B	Perno, sujeción del tubo de extensión	4
C	Tuerca, abrazadera del manillar	4
D	Soporte, abrazadera superior del manillar	2
E	Cuña, superior	2
F	Cuña, inferior	2
G	Soporte, abrazadera inferior del manillar	2
H	Perno, abrazadera del manillar, M6 x 18	4
I	Almohadilla, lado derecho	1
	Almohadilla, lado izquierdo (no se muestra)	1
J	Tornillo, soporte de la almohadilla	4
K	Soporte de la almohadilla, lado derecho	1
	Soporte de la almohadilla, lado izquierdo (no se muestra)	1
L	Regulador de anchura de la almohadilla	2
M	Perno, fijación del regulador de anchura	2
N	Tapón de la guía del cable	2

Instalación de los tubos prolongadores en el manillar

Las siguientes referencias de letras (A, B, C, etc.) son para la Figura 2.

1. Determine la anchura que desee para el manillar aerodinámico.
Si fuera necesario, retire la parte superior de la cinta del manillar para conseguir la anchura deseada.
2. Coloque los soportes superiores (D) e inferiores (G) en el manillar. Inserte dos pernos de la abrazadera del manillar (H) en los soportes inferior y superior, así como en las tuercas (C), que se encajan en el soporte superior.
En el caso de un manillar de 26,0 mm, utilice las cuñas (E y F) que aparecen en la lista anterior. Localice y coloque el hueco de la cuña en la ranura del soporte. Si se coloca el hueco en la ranura, se impedirá que la cuña gire.
3. Apriete los pernos de la abrazadera del manillar (H) a 100 lb•in (11,3 N•m).
4. Deslice los tubos prolongadores derecho e izquierdo (A) por los soportes superiores (D) y ajuste la posición de los tubos en la longitud y el ángulo giratorio que desee.
Deje un mínimo de 15 mm del tubo prolongador expuesto tras la abrazadera del soporte superior.
5. Inserte los pernos de fijación del tubo prolongador (B) y apriételos a 60 lb•in (6,7 N•m).
No exceda el par indicado al fijar los pernos, ya que podría dañar el tubo de carbono.

6. Deslice el regulador de anchura de la almohadilla izquierda (L) y derecha (L) en los tubos prolongadores.
7. Inserte los pernos de fijación del regulador de anchura (M).
8. Ajuste el ángulo de los reguladores de anchura. Gire el soporte hasta el ángulo deseado y apriete los pernos de fijación a 60 lb•in (6,7 N•m).
Recuerde que un ajuste excesivo del ángulo puede impedir la correcta alineación de los soportes de las almohadillas.

Instalación de las almohadillas y sus soportes

Es posible personalizar la anchura de los soportes de las almohadillas para adaptarla a su constitución corporal y a su estilo de conducción.

1. Inserte dos tornillos del soporte de la almohadilla (J) en los orificios que desee de los soportes izquierdo y derecho (K) y en los reguladores de anchura de las almohadillas (L).
2. Apriete los tornillos del soporte de la almohadilla a 30 lb•in (3,4 N•m).
Se requieren dos tornillos en cada lado para evitar que los soportes de las almohadillas giren en los reguladores de anchura del reposabrazos.
3. Repita la operación con el segundo soporte de la almohadilla.
4. Coloque las almohadillas en los elementos de fijación con corchetes y presillas de los soportes de las almohadillas.

Instalación de la palanca de cambio de marchas

Si desea instalar palancas de cambio de marchas en el diente de los tubos de extensión Race X Lite (A), deslice los cables de control y las fundas en el tapón de la guía del cable (N). No corte ni perforo los tubos prolongadores. Apriete el perno de montaje de la palanca de cambio de marchas hasta que quede bien sujeta.

No apriete excesivamente el perno de montaje de la palanca de cambio de marchas, ya que el tubo prolongador de carbono podría resultar dañado. No exceda el par 45 lb•in (5 N•m).

Revisión de la instalación

Vuelva a comprobar que los elementos de fijación están bien apretados tras el primer uso del manillar aerodinámico y, en adelante, realice revisiones periódicas para garantizar una correcta fijación del manillar aerodinámico.

Garantía limitada de Bontrager

Bontrager garantiza todos los componentes nuevos o ruedas completas de Bontrager contra defectos en mano de obra y materiales:

Durante cinco años -

- Todos los componentes y accesorios Bontrager, excepto los consumibles como los neumáticos y las cámaras interiores.

Durante un año -

- Consumibles de Bontrager como neumáticos y cámaras interiores.

Esta Garantía no cubre -

- El desgaste normal
- El montaje incorrecto
- Mantenimiento de seguimiento incorrecto
- La instalación de piezas o accesorios que no se hayan diseñado originalmente para, o que no sean compatibles con, el manillar, los componentes o las ruedas completas de Bontrager.
- Daños o fallos debidos a accidente, mal uso, abuso o negligencia.
- Cargos por mano de obra por sustitución o cambio de piezas.

Esta Garantía queda anulada en su integridad por cualquier modificación de las ruedas completas o componentes.

Esta Garantía está limitada expresamente a la reparación o cambio del artículo defectuoso y es el único remedio de la Garantía. Esta Garantía se extiende desde la fecha de compra, se aplica solamente al

propietario original y no es transferible. Bontrager no es responsable de daños consecuentes o fortuitos. Algunos estados no permiten la exclusión de daños consecuentes o fortuitos, por lo que la exclusión anterior puede que no se le aplique a usted.

Las reclamaciones dentro de esta Garantía se tienen que hacer a través de un distribuidor autorizado de Bontrager. Es necesaria la prueba de compra.

Esta Garantía concede a los consumidores derechos legales específicos y dichos derechos pueden variar de lugar a lugar. Esta Garantía no afecta a los derechos reglamentarios del consumidor.

Política de sustitución de carbono roto

Para evaluar los daños causados a una pieza de fibra de carbono requiere más experiencia que la necesaria para inspeccionar piezas de metal. Si tiene un golpe o impacta su bicicleta y la fuerza del impacto la absorbe una pieza de carbono, le animamos fuertemente a cambiar la pieza, incluso si no hay indicaciones de daños.

Si ocurre dicho golpe o impacto, Bontrager ofrece un programa de sustitución por golpes para piezas de carbono, que reduce sustancialmente todo coste de sustitución. Para aprovecharse de este programa, póngase en contacto con nosotros utilizando la información enumerada en la página i y pregunte por el departamento de garantía.



BONTRAGER™

Race X Lite Handbuch Aerobar

HANDBUCH VOR ANTRITT DER FAHRT LESEN

Lesen Sie sich dieses Handbuch sorgfältig durch, bevor Sie Ihren neuen Aerobar verwenden. Es enthält wichtige Sicherheits- und Wartungshinweise. Weitere Informationen und Neuerungen finden Sie auf unserer Website. Wenn Sie etwas nicht verstehen oder Fragen haben, die dieses Handbuch nicht beantwortet, wenden Sie sich an Ihren Bontrager Händler vor Ort. Wenn Ihr Bontrager Händler eine Frage nicht beantworten oder ein Problem nicht lösen kann, wenden Sie sich an uns:

Bontrager Components
Attn: Customer Service
801 W. Madison Street
Waterloo, Wisconsin 53594

920.478.4678
<http://www.bontrager.com>


Inhalt

Einsatzbedingungen	1
Sicherheit	2
Aerobar vor jeder Fahrt kontrollieren	2
Testfahrt mit dem Aerobar vor Fahrtantritt	5
Nur zugelassenes Zubehör verwenden	5
Wartung	6
Befestigungselemente sichern	6
Armstützenpolster vor dem Transport mit dem Auto entfernen	7
Montage	8
Bontrager Eingeschränkte Garantie	14
Austauschgarantie für Carbonteile bei Sturzschäden	15

Deutsch i

EINSATZBEDINGUNGEN

Viele Fahrradteile sind nur für den Einsatz unter bestimmten Fahrbedingungen vorgesehen. Wenn ein Fahrrad oder ein Fahrradteil unter Bedingungen eingesetzt wird, für die es nicht vorgesehen ist, gefährdet dies die Sicherheit (siehe folgende Tabelle).

	Einsatzbedingungen	Bontrager Teil
	Fahren auf befestigten Wegen, die Räder verlieren den Bodenkontakt nicht	Alle Aerobars von Bontrager

Weitere Informationen zu Einsatzbedingungen finden Sie auf unserer Website unter <http://www.bontrager.com>.



Das Symbol „Sicherheitswarnung“ wird im Handbuch als Warnung bei Verletzungsgefahr verwendet. Beachten Sie alle Hinweise, die mit diesem Symbol gekennzeichnet sind, um Gefahr für Leib und Leben abzuwenden.

SICHERHEIT

Die folgenden Informationen sind von großer Bedeutung für Ihre Sicherheit.



WARNUNG! Die Missachtung dieser Sicherheitshinweise kann Fehlfunktionen des Aeroar und damit Verletzungs- oder Lebensgefahr nach sich ziehen.

Aeroar vor jeder Fahrt kontrollieren

Überprüfen Sie den Aeroar und die mit ihm verbundenen Teile anhand der folgenden Checkliste: Lenker, Vorbau und Gabel. Sollten Sie bei dieser Überprüfung ein defektes Teil bemerken, reparieren Sie es mithilfe der Informationen im Handbuch, oder lassen Sie diese Arbeit von einem Händler ausführen. Fahren Sie keinesfalls mit einem defekten Fahrrad. Lassen Sie es umgehend reparieren.



Lenker und Vorbau kontrollieren

Achten Sie darauf, dass der Vorbau dieselbe Ausrichtung hat wie das Vorderrad. Überprüfen Sie die Verbindung von Vorbau und Gabel, indem Sie versuchen, den Lenker seitwärts zu bewegen, während Sie das Vorderrad zwischen Ihren Knien einklemmen (Abbildung 1). Überprüfen Sie die Sicherheit des Lenkers, indem Sie versuchen, ihn im Vorbau zu drehen. Er darf sich dabei nicht bewegen lassen. Achten Sie darauf, dass beim Einschlagen der Lenker die Züge nicht gedehnt oder eingeknickt werden.

Stellen Sie sicher, dass sich der Aeroar am Lenker nicht bewegen lässt. Prüfen Sie, ob die



Abbildung 1:
Funktionstest von
Lenker und Vorbau
Deutsch 2

Lenkerhörnchen korrekt in beide Enden des Aerobar eingesetzt sind. Wenn sich beim Test Probleme an Ihrem Fahrrad zeigen, lesen Sie im Kapitel zur Wartung nach oder suchen Sie Ihren Händler auf.

Aerobar auf Ermüdung und Beschädigung überprüfen

Vor und nach jeder Fahrt sollten Sie den Aerobar auf Anzeichen von Beschädigungen oder Materialermüdung überprüfen:

- Beulen
- Risse
- Kratzer
- Verformungen
- Verfärbungen
- Geräusche

Auch bei regelmäßigen Inspektionen ist es nicht auszuschließen, dass ein Fahrradteil Schaden nimmt, wenn es überlastet wird. Überprüfen Sie deshalb alle Teile Ihres Fahrrads gründlich, nachdem Sie es hohen Belastungen ausgesetzt haben. Hohe Belastungen treten zum Beispiel bei Stürzen auf, können aber auch anders verursacht werden. Auch Stöße durch Schlaglöcher oder Schläge durch Bahnschienen setzen ein Fahrrad hohen Belastungen aus.

Die Lebensdauer Ihres Fahrrads und seiner Teile hängt von Ihrem Fahrstil ab. Wenn Sie also besonders hart oder aggressiv fahren,

WARNUNG

Beschädigte Teile aus Carbonfaser können plötzlich versagen. Überprüfen Sie Fahrräder und Komponenten aus Carbonfaser regelmäßig auf Beschädigungen. Wenn Ihr Fahrrad beschädigt wurde, Sie damit gestürzt sind, oder wenn Sie vermuten, dass eine Komponente aus Carbon beschädigt wurde, FAHREN SIE NICHT WEITER. Bringen Sie das Fahrrad zur Inspektion, Wartung und Einschätzung im Rahmen der Austauschgarantie bei Sturzschäden zu Ihrem Händler.

werden Sie das Fahrrad bzw. dessen Teile häufiger austauschen müssen als bei einer zurückhaltenden Fahrweise. Um zu bewerten, welchen Beanspruchungen Ihr Fahrrad ausgesetzt ist, müssen zahlreiche Kriterien berücksichtigt werden: Gewicht, Geschwindigkeit, Fahrtechnik, Untergrund, Wartung, Umgebung (Luftfeuchtigkeit, Salzgehalt, Temperatur usw.) und der Rahmen bzw. das Teil selbst. Es ist also unmöglich vorherzusagen, wann ein Teil ersetzt werden muss. In jedem Fall ist es sicherer, das Fahrrad oder einzelne Komponenten häufiger zu wechseln. Wenn Sie sich nicht sicher sind, wenden Sie sich an Ihren Händler.

Inspektion der Carbonfaser-Komponenten

Carbon ist eines der stabilsten Materialien bei der Fahrradherstellung. Im Vergleich zu Metall weist Carbon jedoch sehr spezielle Eigenschaften auf. Aus diesem Grund müssen Komponenten aus Carbon sorgfältig auf Schäden untersucht werden.

Carbonfaserteile überprüfen

Im Gegensatz zu Metallteilen sieht man Carbonkomponenten nicht immer an, ob sie beschädigt sind. Sie verbiegen oder verformen sich nicht, und ein beschädigtes Teil kann auf den ersten Blick intakt erscheinen. Halten Sie sich beim Überprüfen von Carbonteilen an die folgenden Anweisungen (*diese Tests liefern nicht unbedingt abschließende Ergebnisse*):

- Überprüfen Sie die Teile auf Kratzer, Wölbungen und andere Veränderungen der Oberfläche.
- Überprüfen Sie, ob die Komponente an Stabilität eingebüßt hat.
- Überprüfen Sie die Komponente auf Materialablösungen.
- Überprüfen Sie, ob ungewöhnliche Geräusche auftreten.

Die Tests sind schwierig zu beschreiben, deshalb gibt es auf der Website von Bontrager ein Video zur Illustration dieser Tests. Fahren Sie nicht mit dem Fahrrad, wenn Sie sich nicht sicher sind, ob alle Komponenten unbeschädigt sind.

Testfahrt mit dem Aerobar vor Fahrtantritt

Beim ersten Gebrauch eines Aerobar sollten Sie besonders vorsichtig sein. Das Fahren mit einem Aerobar erfordert eine andere Sitzhaltung. Auch das Lenken und die Handhabung des Fahrrads können ungewohnt erscheinen. Üben Sie sich im Gebrauch des Aerobar in möglichst verkehrsarmem Gelände, um seine Eigenschaften kennen zu lernen.

Und, nicht zu vergessen, sehen Sie beim Fahren nach vorn. Schauen Sie nicht auf den Boden.

Nur zugelassenes Zubehör verwenden

Nicht alle Zubehörteile sind mit Ihrem Fahrrad kompatibel bzw. genügen den Sicherheitsansprüchen. Kaufen Sie deshalb nur vom Hersteller zugelassenes Zubehör. So kann zum Beispiel eine Klemme stark genug, aber ungleichmäßig greifen, was möglicherweise Beschädigungen des befestigten Teils nach sich zieht. Fragen Sie Ihren Händler, wenn Sie sich unsicher sind, ob ein Teil zugelassen ist oder nicht.

WARNUNG

Führen Sie keinesfalls Veränderungen am Aerobar durch, z. B. durch Schleifen, Bohren, Feilen, Entfernen überflüssiger Haltesysteme und das Anbringen nicht kompatibler Gabeln. Bei derartigen Veränderungen erlischt die Garantie. Der Aerobar zeigt möglicherweise Fehlfunktionen, was Gefahr für Leib und Leben nach sich zieht.

WARTUNG

In diesem Abschnitt werden die Einstellungsmöglichkeiten für den Aerobar sowie die empfohlenen Wartungsmaßnahmen erläutert.

Position einstellen

Der Race X Lite Aerobar bietet zahlreiche Einstellungsmöglichkeiten zur Verbesserung des Komforts und der Aerodynamik. Weitere Informationen zu den Einstellungen finden Sie im Abschnitt mit den Montageanweisungen.

Länge der Steuerrohrverlängerung - Entfernung zwischen dem Lenker und den Enden der Steuerrohrverlängerungen. Schieben Sie die Steuerrohrverlängerung in den Befestigungsklammern vor und zurück. Hinter der Klammer müssen mindestens 15 mm der Steuerrohrverlängerung stehen bleiben.

Steuerrohrverlängerungswinkel - Winkel des Aerobar. Drehen Sie die Lenkerklemme am Lenker.

Armbreite - Abstand zwischen den Armstützen. Bewegen Sie die Armstützen in der Befestigung oder die Lenkerklemme am Lenker.

Armstützenposition - Position der Armstützen zur Vorderseite des Fahrrads. Bewegen Sie die Armstützen in der Vorrichtung für die Abstandseinstellung vor und zurück. Wählen Sie eine der vier möglichen Positionen aus.

Armstützenwinkel - Winkel der Armstützen. Drehen Sie die Halterung der Steuerrohrverlängerung.

Befestigungselemente sichern

Folgen Sie diesen Anweisungen, um den Aerobar in gutem Zustand zu halten.

Einmal im Monat

Prüfen Sie alle Befestigungselemente (Schrauben oder Bolzen) des Aerobar.

- Lenkerklemmschrauben: 11,3 N•m
- Klemmschrauben für Steuerrohrverlängerung: 6,7 N•m
- Befestigungsschrauben für die Einstellung des Abstands: 6,7 N•m
- Schrauben für Armstützenhalter: 3,4 N•m

Befestigungselemente korrekt festziehen

Alle Befestigungselemente müssen den Angaben von Bontrager (oder denen des Fahrradherstellers) entsprechend festgezogen werden. Wenn ein Befestigungselement nicht ordnungsgemäß festgezogen ist, können sich Teile lösen. Halten Sie das vorgegebene Anzugsmoment ein, und ziehen Sie die Schrauben nicht zu fest an. Wenn Sie eine Schraube mit mehr als dem empfohlenen Anzugsmoment anziehen, wird die Verbindung nicht stabiler. Teile könnten beschädigt werden oder versagen. Wenn ein Teil korrekt angezogen wurde und dennoch nicht fest sitzt, suchen Sie Ihren Händler auf.

Bei der Herstellung werden alle Befestigungselemente mit einer blauen Versiegelung für das korrekte Anzugsmoment versehen. Diese Versiegelung ist einfach zu erkennen. Wenn Sie die Versiegelung nicht finden oder bei der Wartung entfernt haben sollten, verwenden Sie vor dem Zusammenbau ein zur Schraubensicherung geeignetes Material, z. B. Loctite® 242.

Lenkerklemme nicht schmieren. Andernfalls kann der Aerobar beim Fahren rutschen.

Armstützenpolster vor dem Transport mit dem Auto entfernen

Entfernen Sie die Armstützenpolster, wenn Sie Ihr Fahrrad auf einem Dachgepäckträger transportieren wollen.

MONTAGE

Mit einem nicht korrekt montierten Aerobar verlieren Sie möglicherweise die Kontrolle über das Fahrrad und stürzen. Wenn Sie mit der Montage des Aerobar nicht zurechtkommen, wenden Sie sich an Ihren Händler.

Lesen Sie die Sicherheitshinweise, bevor Sie Ihren Aerobar montieren.

Hinweis für Händler: Wenn Sie dieses Produkt für Käufer vormontieren, händigen Sie diesen das dazugehörige Handbuch aus.

Ist der Aerobar mit Ihrem Fahrrad kompatibel?

Einige Lenkermodelle aus Aluminium oder Carbon sind möglicherweise nicht kompatibel mit Aerobar-Bausätzen. Beachten Sie die Montageanweisungen des Herstellers.

Dieser Aerobar ist für Lenkerklemmen mit 26,0 mm oder 31,8 mm Durchmesser geeignet. Verwenden Sie folgende Teile:

- Bei Lenkern mit 26,0 mm Durchmesser verwenden Sie die vier mitgelieferten Unterlegscheiben (jeweils zwei für E und F, Abbildung 2).
- Bei Lenkern mit 31,8 mm Durchmesser sind keine Unterlegscheiben erforderlich.

Benötigte Werkzeuge und Materialien:

- Inbusschlüssel (3, 4 und 5 mm)
- Drehmomentschlüssel

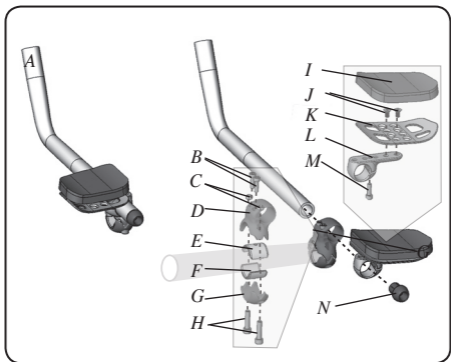


Abbildung 2: Race X Lite Aerobar-Teile

Teileliste

	Artikelbezeichnung	Anzahl
A	Steuerrohrverlängerungen	2
B	Bolzen, Klemmschrauben für Steuerrohrverlängerung	4
C	Muttern, Lenkerklemme	4
D	Halterungen, Lenkerklemme oben	2
E	Unterlegscheiben, oben	2
F	Unterlegscheiben, unten	2
G	Halterung, Lenkerklemme unten	2
H	Bolzen, Lenkerklemme, M6 + 18	4
I	Armstützenpolster, rechts	1
	Armstützenpolster, links(nicht abgebildet)	1
J	Schrauben, Armstützenhalter	4
K	Armstützenhalter, rechts	1
	Armstützenhalter, links (nicht abgebildet)	1
L	Einstellschrauben Armstützenabstand	2
M	Bolzen, Schrauben für Abstandseinstellung	2
N	Kabelführungen	2

So montieren Sie die Steuerrohrverlängerung am Lenker:

Die folgenden Buchstaben (A, B, C usw.) beziehen sich auf Abbildung 2.

1. Bestimmen Sie die vorgesehene Aero-Bar-Breite.
Entfernen Sie bei Bedarf den oberen Teil des Lenkerbands, um die gewünschte Breite zu erhalten.
2. Bringen Sie die obere (D) und die untere Befestigungen (G) am Lenker an. Führen Sie je zwei Lenkerklemmschrauben (H) durch die obere und untere Befestigung ein, und verbinden Sie diese mit der Mutter (C) für die untere Befestigung.
Verwenden Sie für 26,0-mm-Lenker die oben angegebenen Unterlegscheiben (E und F). Passen Sie die Vertiefung in der Unterlegscheibe in die Aussparung der Befestigung ein. Dadurch wird verhindert, dass sich die Scheibe mitdreht.
3. Ziehen Sie die Klemmschrauben (H) bis 11,3 N•m an.
4. Führen Sie die rechte und linke Steuerrohrverlängerung (A) in die obere Befestigung (D) ein, und passen Sie Länge und Winkel der Steuerrohrverlängerung wie gewünscht an.
Hinter der oberen Befestigung müssen mindestens 15 mm der Steuerrohrverlängerung stehen bleiben.
5. Führen Sie die Klemmschrauben für die Steuerrohrverlängerung (B) ein, und ziehen Sie diese bis 6,7 N•m an.

Ziehen Sie die Schrauben nicht zu fest an, da sonst das Carbonrohr beschädigt werden könnte.

6. Setzen Sie die rechte (L) und linke (L) Einstellschraube für den Armstützenabstand auf die Steuerrohrverlängerung.
7. Führen Sie die Einstellschrauben (M) ein.
8. Stellen Sie den Winkel ein. Drehen Sie die Befestigung bis zum gewünschten Winkel, und ziehen Sie die Schrauben bis $6,7 \text{ N}\cdot\text{m}$ an.

Beachten Sie, dass die Armstützenhalter bei extremer Winklereinstellung möglicherweise nicht korrekt ausgerichtet sind.

So montieren Sie Armstützenhalter und Armstützenpolster:

Sie können den Abstand zwischen den Armstützenhaltern Ihrem Körper und Ihrem Fahrstil anpassen.

1. Führen Sie die zwei Schrauben für den Armstützenhalter (J) in die vorgesehenen Öffnungen des rechten und linken Armstützenhalters (K) und in die Mutter für die Abstandseinstellung (L) ein.
2. Ziehen Sie jede Schraube bis $3,4 \text{ N}\cdot\text{m}$ an.
Es sind zwei Schrauben erforderlich, damit sich die Armstützenhalter in der Befestigung nicht bewegen.
3. Wiederholen Sie diese Schritte mit dem anderen Armstützenhalter.
4. Verbinden Sie die Armstützenpolster mit den Klettverschlüssen am Armstützenhalter.

So montieren Sie den Schalthebel:

Wenn Sie Schalthebel an den Enden der Race X Lite Steuerrohrverlängerung (A) anbringen wollen, schieben Sie Kabel und Hülle in die Kabelführung (N). Verdrehen und verkürzen Sie keinesfalls die Steuerrohrverlängerung. Ziehen Sie die Befestigungsschraube für den Schalthebel in der vorgesehenen Position fest an.

Ziehen Sie die Befestigungsschraube des Schalthebels nicht zu fest an, da die Carbon-Steuerrohrverlängerung sonst beschädigt werden könnte. Ziehen Sie nicht mehr als 5 N•m an.

So überprüfen Sie die Montage:

Überprüfen Sie alle Befestigungselemente nach dem ersten Gebrauch des Aerobar. Wiederholen Sie diese Überprüfung in regelmäßigen Abständen, um sicherzustellen, dass der Aerobar sicher montiert ist.

BONTRAGER EINGESCHRÄNKTE GEWÄHRLEISTUNG

Bontrager gewährleistet, dass alle neuen Teile oder Laufradsätze von Bontrager frei von Material- und Produktionsfehlern sind:

Die Gewährleistung gilt für einen Zeitraum von fünf Jahren-

- Die Gewährleistung gilt für sämtliche Teile und Zubehörteile, bis auf Verschleißteile wie Reifen und Schlauch.

Für eine Dauer von einem Jahr-

- Verschleißteile wie Reifen und Schlauch.

Von der Gewährleistung ausgeschlossen sind-

- Normale Abnutzung und Verschleiß
- Unsachgemäße Montage
- Unsachgemäße Wartung im Laufe der Nutzungsdauer
- Montage von nicht ursprünglich für die Gabel, Teile oder Laufradsatz von Bontrager, vorgesehen und dafür_kompatible Teile und Zubehör, wie verkauft.
- Beschädigungen oder Nicht-Funktionieren in Folge unsachgemäßen Einsatzes, Unfalls oder Nachlässigkeit.
- Arbeitskosten für den Austausch von Teilen oder Überholung.

Die Gewährleistung verliert ihre volle Gültigkeit angesichts Veränderungen am Laufradsatz oder Teilen davon.

Die Gewährleistung ist ausdrücklich auf die Reparatur oder den Austausch von defekten Teilen beschränkt, die das einzige

Rechtsmittel der Gewährleistung sind. Die Gewährleistung beginnt am Tag des Kaufs, gilt nur für den Eigentümer und ist nicht übertragbar. Bontrager übernimmt keine Haftung für Unfall- oder Folgeschäden. In einigen Staaten ist der Ausschluss von Unfall- ,bzw. Folgeschäden nicht erlaubt, somit besteht die Möglichkeit, dass der o.a. Ausschluss für Sie nicht zutreffend ist.

Sämtliche in Folge dieser Gewährleistung auftretenden Ansprüche sind durch einen autorisierten Fachhändler von Bontrager abzuwickeln. Dabei ist die Vorlage des Kaufnachweises erforderlich.

Durch diese Gewährleistung werden dem Verbraucher bestimmte, durch das Gesetz vorgegebene Rechte gewährt, die sich je nach Standort unterscheiden können. Der durch das Gesetz vorgesehene Schutz für den Verbraucher bleibt von dieser Gewährleistung unberührt.

Ersatz der Karbon-Komponenten nach Unfall:

Für die Überprüfung von Karbonteilen auf Beschädigungen bedarf es einer größeren Erfahrung, als dies bei Metallteilen der Fall ist. Nach einem Unfall oder einer anderen Einwirkung auf Ihr Fahrrad, wobei der Aufprall durch eines der Karbonteile aufgefangen wurde, empfehlen wir den Austausch des betreffenden Teils, auch wenn auf den ersten Blick keine Schäden zu erkennen sind.

Bontrager bietet für den Fall eines solchen Unfalls oder Aufpralls ein Programm für den Ersatz von Karbonteilen an, wodurch die Kosten für den Austausch dieser Teile erheblich begrenzt werden. Wenn Sie an diesem Programm teilnehmen möchten, nehmen Sie mit uns unter den auf Seite i angegebenen Angaben Kontakt auf und lassen sich mit der Garantieabteilung verbinden.



BONTRAGER™

Manuel du cintre aérodynamique Race X Lite

LISEZ CE MANUEL AVANT TOUTE UTILISATION

Avant d'utiliser votre nouveau cintre aérodynamique, veuillez lire attentivement ce manuel d'instructions, car il contient des consignes de sécurité et d'entretien importantes. **Consultez également notre site web** pour plus d'informations ou pour connaître les mises à jour. Si vous ne comprenez pas certaines informations ou si vous avez une question à propos de votre cintre aérodynamique à laquelle ce manuel ne répond pas, consultez votre revendeur Bontrager. **Si celui-ci n'est pas en mesure de répondre à votre question ou de résoudre votre problème, contactez-nous :**

Bontrager Components

920.478.4678

Attn: Customer Service

<http://www.bontrager.com>

801 W. Madison Street

Waterloo, Wisconsin 53594


Table des matières

Conditions d'utilisation.....	1
Utilisation en toute sécurité	2
Vérification du cintre aérodynamique avant chaque sortie	2
Test du cintre aérodynamique avant votre première sortie	5
Installation et utilisation d'accessoires agréés uniquement	5
Entretien.....	6
Réglage de la position.....	6
Vérification des fixations.....	6
Installation.....	8
Garantie limitée Bontrager	14
Politique de remplacement du carbone en cas de choc....	15

Français i

CONDITIONS D'UTILISATION

La plupart des pièces de vélo sont destinées à des types et à des conditions de conduite spécifiques. **Par mesure de sécurité, il est recommandé de ne pas utiliser un vélo ou l'une de ses pièces pour une pratique supérieure à celle pour laquelle il a été conçu, comme cela est illustré ci-dessous :**

	Conditions d'utilisation	Pièce Bontrager
	Utilisation sur une surface couverte d'un revêtement où les pneus restent en contact avec le sol	Tous les cintres aérodynamiques Bontrager

Pour plus d'informations sur les conditions d'utilisation, consultez notre site web à l'adresse suivante :
<http://www.bontrager.com>.



Dans ce manuel, le symbole d'alerte de sécurité indique un risque potentiel de blessure corporelle. Respectez toutes les consignes de sécurité suivant ce symbole afin d'écartier tout risque d'accident corporel grave.

UTILISATION EN TOUTE SÉCURITÉ

Les informations suivantes contiennent des instructions de sécurité très importantes.



AVERTISSEMENT Le non respect des consignes de sécurité présentées dans ce manuel risque de détériorer le cintre aérodynamique et d'entraîner des blessures graves, voire fatales.

Vérification du cintre aérodynamique avant chaque sortie

Avant chaque sortie, contrôlez les éléments de la liste ci-après afin de vérifier le cintre aérodynamique et les pièces liées : le guidon, la potence et la fourche. **Si une pièce est défectueuse, réparez votre vélo** en suivant les recommandations décrites dans le présent manuel ou faites-le réparer par votre revendeur. **N'utilisez jamais un vélo présentant une pièce endommagée ; faites-la remplacer.**



Vérification du guidon et de la potence

Vérifiez que la potence est alignée avec la roue avant. **Vérifiez la fixation** de la potence à la fourche en essayant de faire pivoter le guidon latéralement tout en maintenant la roue avant bloquée entre vos genoux (figure 1). **Vérifiez que le guidon** est fermement fixé en essayant de le faire pivoter dans la potence. **Celle-ci ne doit pas bouger ou présenter de jeu.** **Vérifiez** qu'aucun câble n'est tendu ou pincé lorsque vous faites pivoter le guidon.

Vérifiez que le cintre aérodynamique ne peut pas tourner sur le guidon. **Vérifiez que**



Figure 1 - Test fonctionnel du guidon et de la potence

Français 2

les bouchons de guidon sont correctement insérés aux deux extrémités du cintre aérodynamique. **Si votre vélo ne fonctionne pas correctement**, consultez la section Entretien ou faites-le réparer par votre revendeur.

Vérification des signes d'usure ou de coups sur le cintre aérodynamique

Avant et après chaque sortie, contrôlez soigneusement votre cintre aérodynamique pour détecter les éventuels signes d'usure ou de coups :

- Bosses
- Fissures
- Éraflures
- Déformation
- Décoloration
- Bruits

Même si vous effectuez des contrôles réguliers, l'une des pièces de votre vélo peut céder si elle subit une force supérieure à celle qu'elle peut supporter. **Après l'application d'une force importante, contrôlez minutieusement toutes les pièces de votre vélo. Certaines conditions**, notamment les chutes, peuvent produire un impact d'une force importante sur le vélo. **Par exemple, rouler dans un trou profond sur la route** ou heurter un obstacle tel qu'un rail de chemin de fer suffisent parfois.

La façon dont vous roulez détermine la durée de vie de votre vélo et

AVERTISSEMENT

Une pièce en fibre de carbone endommagée risque de céder brutalement. Contrôlez régulièrement votre vélo en fibre de carbone ou les pièces en fibre de carbone de votre vélo afin de détecter d'éventuels dommages. Si votre vélo a subi un choc ou un accident, ou si vous avez de bonnes raisons de penser qu'une pièce en carbone a été endommagée, **CESSEZ IMMÉDIATEMENT D'UTILISER VOTRE VÉLO. Rapportez-le à votre revendeur pour qu'il soit vérifié, remis en état et expertisé conformément à notre politique de remplacement en cas de casse.**

de ses pièces. **Si votre conduite est dure ou agressive, vous devrez** remplacer le vélo et/ou ses pièces plus souvent que les cyclistes qui roulent en douceur ou avec prudence. **L'évaluation de votre utilisation** du vélo prend en compte différents points : **poids, vitesse, technique, terrain, entretien, environnement** (humidité, salinité, température, etc.), cadre ou l'une de ses pièces, autant de facteurs qui rendent impossible l'établissement d'un calendrier de remplacement précis. **En règle générale**, il est préférable d'être prudent et de remplacer le vélo ou ses pièces fréquemment. **Si vous avez un doute, renseignez-vous auprès de** votre revendeur.

Procédures de contrôle de la fibre de carbone composite

La fibre de carbone compte parmi les matériaux les plus résistants utilisés pour fabriquer des vélos. **Cela étant, la fibre de carbone se** singularise par des caractéristiques spécifiques, distinctes des pièces métalliques, et il importe de s'assurer avec attention qu'elle n'a pas été endommagée.

Contrôle des pièces en fibre de carbone

Contrairement aux pièces métalliques, les pièces en fibre de carbone endommagées ne font généralement apparaître aucune pliure, aucun bombement et aucune déformation ; une pièce endommagée peut ainsi sembler normale à l'inspection visuelle. **Pour vérifier des pièces en** fibre de carbone, procédez comme suit (*il se peut que les tests suivants ne soient pas concluants*) :

- Recherchez les stries et les rainures ainsi que les autres défauts de surface.
- Vérifiez si la pièce a perdu de sa rigidité.
- Vérifiez si la pièce est délamifiée.
- Repérez les crissements et autres cliquetis inhabituels.

Les tests sont difficiles à décrire. Nous proposons donc un film décrivant le contrôle d'une pièce en fibre de carbone disponible avec le manuel du propriétaire et sur le site Web de Bontrager. **Si vous avez un** doute concernant l'état d'une pièce, n'utilisez pas le vélo.

Essai du cintre aérodynamique avant votre première sortie

Soyez extrêmement prudent lors de votre première utilisation du cintre aérodynamique. **Le fait de conduire un vélo avec un cintre aérodynamique** requiert une position qui peut être nouvelle ou différente de celle que vous adoptez habituellement. La direction de votre vélo peut réagir différemment et vous devrez vous y prendre autrement pour effectuer vos manœuvres. **Entraînez-vous à rouler** avec ce cintre aérodynamique dans une zone où la circulation est faible afin de vous habituer aux changements concernant la direction et les manœuvres.

Pensez également à regarder devant vous lorsque vous roulez. **Ne regardez pas le sol.**

Installation et utilisation d'accessoires agréés uniquement

Tous les accessoires ne sont pas compatibles ou fiables. N'utilisez que les accessoires approuvés par le fabricant. **Par exemple, la conception du collier de serrage sur certaines pièces applique une force importante mais inégale, qui peut casser ou endommager la pièce à laquelle il s'adapte. Si vous avez un doute sur la compatibilité d'une pièce, renseignez-vous auprès de votre revendeur.**



AVERTISSEMENT

Ne modifiez jamais votre cintre aérodynamique, que ce soit par ponçage, perçage, limage, suppression de dispositifs de fixation superflus ou toute autre méthode. De telles modifications annuleront votre garantie, risquent de détériorer le cintre aérodynamique et d'entraîner une perte de contrôle ainsi que des dommages corporels graves.

ENTRETIEN

Cette section décrit comment régler la position de votre cintre aérodynamique ainsi que les tâches d'entretien à effectuer régulièrement.

Réglage de la position

Le modèle de cintre dynamique Race X Lite inclut différentes possibilités de réglage afin d'améliorer le confort ou l'aérodynamique. **Pour obtenir des instructions sur ces réglages, lisez la section Installation.**

Longueur des tubes d'extension - distance entre le guidon et l'extrémité des tubes d'extension. **Faites glisser les tubes d'extension** vers l'avant ou vers l'arrière dans le collier de serrage. **Laissez au moins 15 mm** du tube à l'extérieur du collier de serrage.

Angle des tubes d'extension - angle du cintre aérodynamique. Faites pivoter le collier de serrage sur le guidon.

Largeur de bras – largeur des repose-bras. **Déplacez les repose-bras** sur les dispositifs de réglage ou faites glisser le collier de serrage sur le guidon.

Position des appuie-bras - position des repose-bras par rapport à l'avant du vélo. **Déplacez les repose-bras vers l'avant ou vers l'arrière** sur les dispositifs de réglage de la largeur. **Choisissez l'une** des quatre positions disponibles.

Angle des appuie-bras – angle des repose-bras. **Faites pivoter les brides d'attache** sur les tubes d'extension.

Vérification des fixations

Suivez les conseils d'entretien ci-après pour conserver votre cintre aérodynamique en bon état.

Une fois par mois

Vérifiez que toutes les fixations (vis et boulons) de votre cintre aérodynamique sont correctement réglées :

- Boulons de serrage du guidon : 11,3 N•m
- Boulons de pincement des tubes d'extension : 6,7 N•m
- Boulons de fixation du dispositif de réglage de la largeur : 6,7 N•m
- Vis du support des appuie-bras : 3,4 N•m

Comment régler correctement les éléments de fixation filetés

Toutes les fixations doivent être réglées selon les spécifications de Bontrager (ou du fabricant du vélo). **Si une fixation filetée n'est pas suffisamment serrée**, les pièces risquent à leur tour d'être mal fixées. Les spécifications de couple doivent être respectées afin que les éléments de fixation ne soient pas trop serrés. **L'application d'un couple supérieur à celui recommandé à un élément de fixation n'augmente pas la qualité du serrage et peut même conduire à la détérioration ou à la rupture d'une pièce.** **Si une pièce fixée au couple approprié n'est pas assez serrée**, faites réparer votre vélo auprès de votre revendeur.

Au cours de la fabrication, les zones filetées de toutes les fixations sont prétraitées avec un adhésif frein-filet bleu spécial. Ce produit se détecte facilement. Si vous ne parvenez pas à détecter cet adhésif frein-filet ou si vous l'avez effacé en nettoyant votre vélo dans le cadre d'un entretien normal, appliquez de nouveau un adhésif frein-filet bleu adapté tel que Loctite® 242 avant l'assemblage.

Ne graissez pas la zone de serrage du guidon. **Cela risque de faire glisser le cintre aérodynamique lorsque vous roulez.**

Suppression des appuie-bras avant le transport sur véhicule

Lorsque vous placez votre vélo sur un porte-vélo, enlevez les appuie-bras.

INSTALLATION

Une mauvaise installation du cintre aérodynamique risque de vous faire perdre le contrôle de votre vélo et tomber. **Si vous n'avez pas** l'habitude d'installer des cintres aérodynamiques, demandez à votre revendeur de l'installer pour vous.

Avant d'installer le cintre aérodynamique, lisez les consignes de sécurité.

*Remarque pour les revendeurs : **si vous** installez ce produit pour le client, fournissez-lui également ce manuel du propriétaire après l'installation.*

Vérification de la compatibilité entre le cintre aérodynamique et votre vélo

Certains guidons en aluminium léger ou en fibre de carbone ne sont pas compatibles avec les assemblages du cintre aérodynamique. Consultez les instructions d'installation fournies par le fabricant du guidon.

Ce cintre aérodynamique est conçu pour des guidons dont le diamètre de serrage est de 26 mm ou de 31,8 mm et qui utilisent les pièces suivantes :

- Pour un guidon de 26 mm, utilisez quatre plaques élévatrices (deux de chaque, E et F, voir la figure 2) incluses avec cet assemblage de cintre aérodynamique.
- Pour un guidon de 31,8 mm, aucune plaque élévatrice n'est nécessaire.

Outils et matériel requis :

- Clés Allen de 3, 4, et 5 mm
- Clé dynamométrique

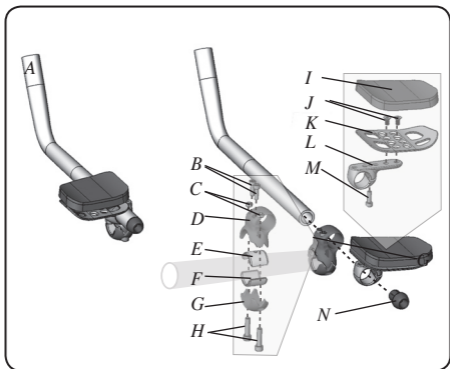


Figure 2 - Pièces du cintre aérodynamique Race X Lite

Liste des pièces

	Nom de la pièce	Quantité
A	Tube d'extension	2
B	Boulon de pincement, tubes d'extension	4
C	Écrou, collier de serrage	4
D	Bride d'attache, collier de serrage supérieur	2
E	Plaque élévatrice, supérieure	2
F	Plaque élévatrice, inférieure	2
G	Bride d'attache, collier de serrage inférieur	2
H	Boulon, collier de serrage M6 x 18	4
I	Appuie-bras, droit	1
	Appuie-bras, gauche (non illustré)	1
J	Vis, support des appuie-bras	4
K	Support des appuie-bras, droit	1
	Support des appuie-bras, gauche (non illustré)	1
L	Dispositif de réglage de la largeur entre les appuie-bras	2
M	Boulon, pince de réglage de la largeur	2
N	Embout de guide de câble	2

Comment installer les tubes d'extension sur le guidon

Les lettres suivantes (A, B, C, etc.) sont utilisées comme références pour la figure 2.

1. **Déterminez la largeur de cintre souhaitée.**

Si nécessaire, ôtez la partie supérieure de la guidoline pour obtenir la largeur souhaitée.

2. **Attachez les brides supérieure (D) et inférieure (G) au guidon. Insérez deux boulons de serrage du guidon (H) dans la bride d'attache inférieure et dans la bride d'attache supérieure ainsi que dans les écrous (C), qui s'adaptent à la bride supérieure.**

*Pour un guidon de 26 mm, utilisez les plaques élévatrices (E et F) mentionnées précédemment. **Recherchez l'alvéole de la plaque élévatrice et placez-la dans le renforcement de la bride. Si l'alvéole est dans le renforcement, cela empêche chaque plaque élévatrice de tourner.***

3. **Réglez les boulons de serrage du guidon (H) à 11,3 N•m.**
4. **Faites glisser les tubes d'extension gauche et droit (A) dans les brides d'attache supérieures (D) et réglez la position des tubes d'extension selon la longueur et l'angle de rotation voulus.**

Laissez au moins 15 mm du tube d'extension exposé à l'extérieur du collier de serrage de la bride supérieure.

5. **Insérez les boulons de pincement du tube d'extension (B) et serrez-les à 6,7 N•m.**

Ne serrez pas trop les boulons, cela risquerait d'endommager le tube de carbone.

6. **Faites glisser les dispositifs de réglage de la largeur** entre l'appuie-bras gauche (L) et droit (L) sur les tubes d'extension.
7. **Insérez les boulons de pincement du dispositif de réglage de la largeur (M).**
8. **Régalez l'angle des dispositifs de réglage de la largeur.**
Faites pivoter la bride d'attache jusqu'à l'angle souhaité, puis serrez les boulons de pincement à 6,7 N•m.
Notez qu'un réglage d'angle extrême risque de réduire les chances d'alignement correct des supports des appuie-bras.

Pour installer les supports des appuie-bras et les appuie-bras

La largeur des supports des appuie-bras peut être adaptée à votre morphologie et à votre utilisation du vélo.

1. **Insérez deux vis du support des appuie-bras (J) dans les emplacements souhaités des supports d'appuie-bras gauche et droit (K) et dans les dispositifs de réglage des appuie-bras (L).**
2. **Régalez chaque vis de support d'appuie-bras sur 3,4 N•m.**
Il est nécessaire de fixer deux vis de chaque côté pour empêcher que les supports des appuie-bras ne s'enroulent autour des dispositifs de réglage de la largeur.
3. **Répétez cette opération pour le deuxième support des appuie-bras.**
4. **Placez les appuie-bras sur les bandes autoagrippantes des supports des appuie-bras.**

Pour installer les manettes de dérailleur

Si vous souhaitez installer des manettes de dérailleur d'embout de cintre dans les tubes d'extension Race X Lite (A), faites glisser les câbles de commande et la gaine dans l'embout du guide de câble (N). **Ne percez pas et ne coupez pas les câbles d'extension. Serrez** le boulon de montage du levier de dérailleur jusqu'à ce que celui-ci soit bien fixé.

Ne serrez pas trop le boulon de montage du levier de dérailleur, cela risquerait d'endommager le tube d'extension en carbone. **Ne** dépassez pas 5 N•m.

Pour vérifier l'installation

Vérifiez de nouveau que toutes les fixations sont bien réglées après la première utilisation du cintre aérodynamique et régulièrement par la suite, afin de vous assurer que celui-ci est bien attaché.

GARANTIE LIMITÉE BONTRAGER

Bontrager garantit chaque nouveau composant ou jeu de roues Bontrager contre les défauts de main-d'oeuvre et de mat_riaux :

Pendant cinq ans-

- Tous les composants et accessoires Bontrager, à l'exception des consommables tels que les pneus et les chambres à air.

Pendant un an-

- Les consommables Bontrager, tels que les pneus et les chambres à air.

Cette garantie ne couvre pas-

- L'usure normale
- Un montage incorrect
- Un suivi d'entretien incorrect
- L'installation de pièces ou d'accessoires non prévus à l'origine pour, ou non compatibles avec, la fourche, les composants ou les jeux de roues Bontrager tels qu'ils sont vendus
- Les dommages ou défaillances occasionnés par un accident, une mauvaise utilisation, un mauvais traitement ou une négligence.
- Les coûts de la main-d'oeuvre pour le remplacement d'une pièce par une pièce identique ou par une pièce différente

Toute modification apportée au jeu de roues ou aux composants entraîne l'annulation de cette garantie dans son intégralité.

Cette garantie est expressément limitée à la réparation ou au remplacement d'un article défectueux ; il s'agit de l'unique recours de la garantie. Cette garantie commence à courir à partir de la date d'achat, ne s'applique qu'au propriétaire initial et est incessible. Bontrager ne peut être tenu pour responsable des dommages fortuits ou consécutifs. Certains états (Etats-Unis) n'autorisent pas l'exclusion des dommages fortuits ou consécutifs ; il se peut donc que l'exclusion ci-dessus ne s'applique pas à vous.

Les réclamations rentrant dans le champ de cette garantie doivent être adressées par l'intermédiaire d'un concessionnaire Bontrager agréé. Une preuve d'achat est exigée.

Cette garantie donne au consommateur des droits juridiques spécifiques, et ces droits peuvent varier d'un endroit à un autre. Cette garantie n'affecte pas les droits statutaires du consommateur.

Politique de remplacement du carbone en cas d'accident

L'évaluation de toute détérioration d'une pièce en fibre de carbone nécessite davantage d'expérience qu'une inspection de pièces métalliques. Si votre vélo subit un accident ou un impact et si la force de l'impact est absorbée par une pièce en carbone, nous vous conseillons vivement de remplacer la pièce, même si aucun signe apparent de détérioration n'est observé.

En cas d'accident ou d'impact, Bontrager propose un programme de remplacement des pièces en carbone qui réduit sensiblement les coûts de remplacement. Pour bénéficier de ce programme, prenez contact avec nous au moyen des coordonnées mentionnées sur la page i et demandez le service des garanties.

Free Manuals Download Website

<http://myh66.com>

<http://usermanuals.us>

<http://www.somanuals.com>

<http://www.4manuals.cc>

<http://www.manual-lib.com>

<http://www.404manual.com>

<http://www.luxmanual.com>

<http://aubethermostatmanual.com>

Golf course search by state

<http://golfingnear.com>

Email search by domain

<http://emailbydomain.com>

Auto manuals search

<http://auto.somanuals.com>

TV manuals search

<http://tv.somanuals.com>