

User's Manual

815CA

**MP3-COMPATIBLE
IN-DASH CD RECEIVER
WITH FRONT PANEL AUX INPUT**



815CA

**MP3-COMPATIBLE IN-DASH CD RECEIVER
WITH FRONT PANEL AUX INPUT**

01.2010

tech support: www.bosssaudio.com/support



10 R - 03 0500

BOSS Audio Systems • 3451 Lunar Court • Oxnard, CA 93030
www.bosssaudio.com

800.999.1236

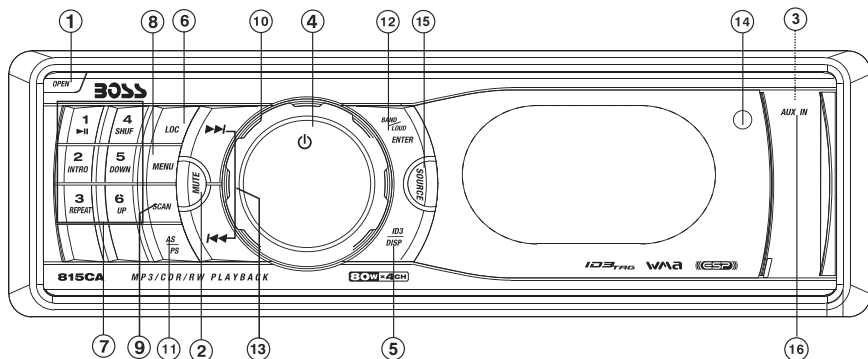
BOSS[®]

AUDIO SYSTEMS

BOSS[®]

AUDIO SYSTEMS

1. BUTTONS LOCATION AND FUNCTIONS



EN

1. Panel Release Button
2. Mute Button
3. CD Eject Button
4. Power Button
5. Display Button / ID3 Information Button
6. Local / Distant Button
7. Preset Memory Buttons
8. Menu Button
9. Scan Button
10. Volume Knob
11. MP3 Menu Button & Automatically Store / Preset Scan Button
12. Band/Loudness Button / MP3 Enter Button
13. Tuning Up/Down & Track Up / Down Buttons
14. Remote Control Receiver
15. Source Button
16. Aux In Jack

PT

1. Tecla para remover o painel frontal
2. Tecla Mute
3. Tecla para ejetar o disco
4. Tecla Ligar/desligar
5. Tecla Display /informação MP3-ID3
6. Tecla Local/Distante
7. Teclas de memória de estações
8. Tecla Menu
9. Tecla Scan
10. Controle de volume
11. Memorização automática (As) / Preset Scan (Ps)
12. Tecla Banda / Loudness / MP3 Enter
13. Teclas de sintonização de estações / mudança de faixas de música
14. Sensor do controle remoto
15. Tecla Source
16. Entrada Auxiliar

DE

1. Entriegel-Taste Bedienteil
2. Stumm-Taste
3. CD-Auswurf-taste
4. Einschalt-Taste
5. Display- / ID3-Taste
6. Local / Distant-Taste
7. Senderspeichertasten
8. Suchlauf Taste
9. Scan- Taste
10. Lautstärkenregler
11. AMS Taste
12. Frequenzband-Taste / MP3 Eingabe-Taste
13. Titel AUF / AB - Taste
14. Fernbedienungs-Taste
15. Source
16. Front-Audio-Anschluss

ES

1. Extracción del panel frontal
2. Silenciamiento rápido
3. Apertura del panel motorizado y expulsión del disco
4. Encendido/Apagado
5. Selección información Display/ID3 TAG muestra
6. Botón Distancia/Local
7. Botones de estaciones memorizadas
8. Menú del Sistema
9. Botón De Búsqueda
10. Botón De Volumen
11. Memorización Automática de emisoras / selección de memorias
12. Selector Bandas / Bajos/MP3
13. Botón de selección de emisoras & banda de música
14. Receptor de control remoto
15. Selección modos Radio/CD/Entrada auxiliar&Botón De Sub-W
16. Entrada de auxiliar

FR

1. Bouton De Déclenchement Du Panneau
2. Bouton D'assourdissement
3. Bouton Ejection D'un Cd
4. Bouton D'alimentation
5. Bouton D'écran / Affichage D'information Sur Les Disques MP3
6. Bouton Local/distant
7. Boutons Des Stations Préréglées (m1 ~m6)
8. Bouton De Menu
9. Bouton Du Scanner
10. Bouton De Volume
11. Bouton De Stockage Des Stations Dans La Mémoire
12. Bouton De Bande / Entrée De MP3
13. Bouton De Recherche Des Stations/pistes : En Avant / En Arrière
14. Récepteur De La Commande À Distance
15. Bouton De Régime/Subwoofer
16. Aux A Jack

IT

1. Tasto Rilascio Frontalino
2. Tasto Mute
3. Tasto Eject
4. Tasto Power
5. Tasto Display/ID3 (informazioni)
6. Bottone Distante Locale
7. Tasti Stazioni Memorie Preimpostate
8. Tasto Menu
9. Tasto Scan
10. Tasto Volume
11. Tasto AS/Forte
12. Tasto Banda/Forte & Enter MP3
13. Tasto sintonizzazione su/gui & traccia su/gui
14. Destinatario di controllo remoto
15. Tasto Mode/Subwoofer
16. Entrada Aux

2. HANDLING COMPACT DISCS

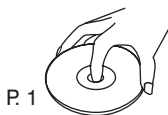
MOISTURE CONDENSATION

On a rainy day or in a very damp area, moisture may condense on the lenses inside the unit. Should this occur, the unit will not operate properly. In such a case, remove the disc and wait for about an hour until the moisture has evaporated.

NOTES ON CDs

1. A dirty or defective disc may cause sound dropouts while playing. To enjoy optimum sound, handle the disc as follows.

Handle the disc by its edge. To keep the disc clean, do not touch the surface (P.1).



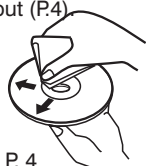
2. Do not stick paper or tape on the disc (P.2).



3. Do not expose the discs to direct sunlight or heat sources such as hot air-ducts, or leave them in a car parked in direct sunlight where there can be a considerable rise in temperature inside the car (P.3).



4. Before playing, clean the discs with an optional cleaning cloth. Wipe each disc from the centre out (P.4).



5. Do not use solvents such as benzine, thinner, commercially available cleaners, or antistatic spray intended for analog discs.

NOTES ON DISCS

If you use the discs explained below, the sticky residue can cause the CD to stop spinning and may cause malfunction or ruin your discs.

Do not use second-hand or rental CDs that have a sticky residue on the surface (for example, from peeled-off stickers or from ink, or glue leaking from under the stickers).

There are paste residue.

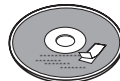
Ink is sticky (P5).



Do not use rental CDs with old labels that are beginning to peel off.

Stickers that are beginning to peel away, leaving a sticky residue (P6).

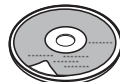
P. 6



Do not use your CDs with labels or stickers attached.

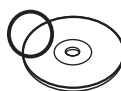
Labels are attached (P.7).

P. 7



Do Not Use Special Shape CDs

Be sure to use round shape CDs only for this unit and do not use any special shape CDs. Use of special shape CDs may cause the unit to malfunction.(P.8).



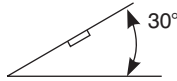
P. 8



Be sure to use CDs with disc mark CD-Rs and CD-RWs which have not undergone finalization processing cannot be played. (For more information on finalization processing, refer to the manual for your CD-R/CD-RW writing software or CD-R/CD-RW recorder.) Additionally, depending on the recording status, it may prove impossible to play certain CDs record on CD-R or CD-RW.

3. INSTALLATION

- Before finally installing the unit, connect the wiring temporarily and make sure it is all connected up properly and the unit and system work properly.
- Use only the parts included with the unit to ensure proper installation. The use of unauthorized parts can cause malfunctions.
- Consult with your nearest dealer if installation requires the drilling of holes or other modifications of the vehicle.
- Install the unit where it does not get in the driver's way and cannot injure the passenger if there is a sudden stop, like an emergency stop.
- If installation angle exceeds 30° from horizontal, the unit might not give its optimum performance.



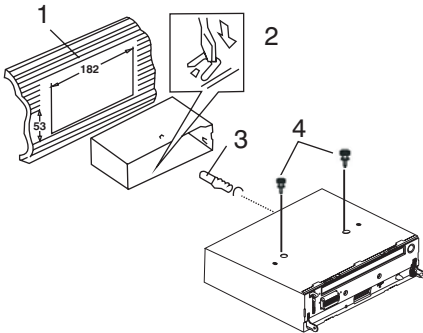
- Avoid installing the unit where it would be subject to high temperature, such as from direct sunlight, or from hot air, from heater, or where it would be subject to dust dirt or excessive vibration.
- Be sure to remove the front panel before installing the unit.

DIN FRONT/REAR-MOUNT

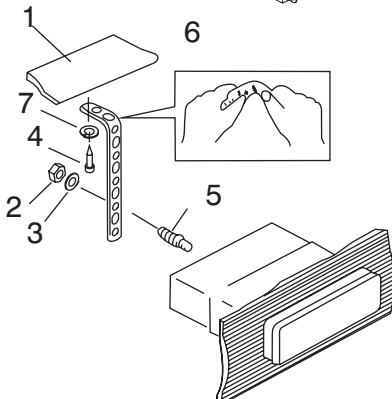
This unit can be properly installed either from "Front" (conventional DIN Front-mount) or "Rear" (DIN Rear-mount installation, utilizing threaded screw holes at the sides of the unit chassis). For details, refer to the following illustrated installation methods A and B.

- **DIN FRONT-MOUNT (Method A)**

Installation the unit

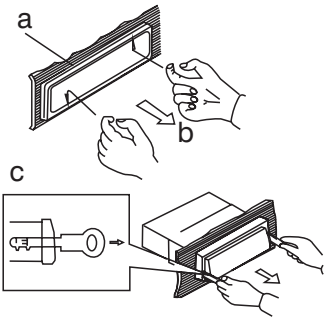


1. Dashboard
2. Half Sleeve
After inserting the half sleeve into the dashboard, select the appropriate tab according to the thickness of the dashboard material and bend them inwards to secure the holder in place.
3. Screw
4. Remove the two screws that fix the CD deck mechanism player before mounting the unit.



1. Dashboard
2. Nut (5mm)
3. Spring washer
4. Screw (4x12mm)
5. Screw
6. Support Strap
Be sure to use the support strap to secure the back of the unit in place. The strap can be bent by hand to the desired angle.
7. Plain washer

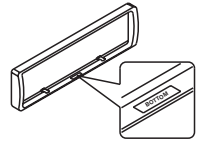
Removing the unit



- Frame
- Insert fingers into the groove in the front of frame and pull out to remove the frame. (When re-attaching the frame, point the side with a groove down wards and attach it.)
- Insert the levers supplied with the unit into the grooves at both sides of the unit as shown in figure until they click. Pulling the levers makes it possible to remove the unit from the dashboard.

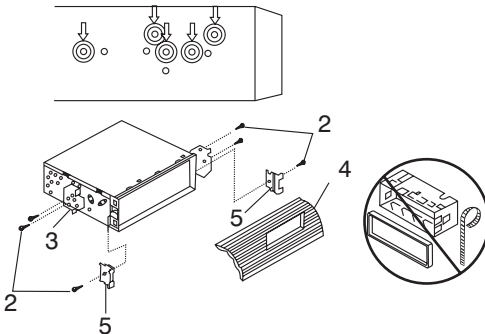
- Trim Plate Installation:

Before attaching the trim plate, the side with a "Bottom" Label stuck should be at down side (as shown on diagram). Push the trim plate against the main panel until it is fitted.



- DIN REAR-MOUNT (METHOD B)

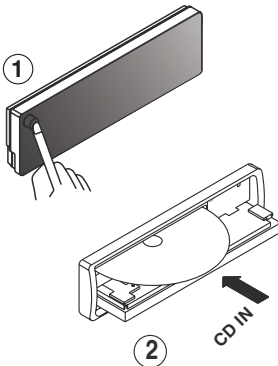
Installation using the screw holes on the sides of the unit. Fastening the unit to the factory radio mounting bracket.



- Select a position where the screw holes of the bracket and the screw holes of the main unit become aligned (are fitted) and tighten the screws at 2 places on each side.
- Screw
- Factory radio mounting bracket.
- Dashboard or Console
- Hook (Remove this part)

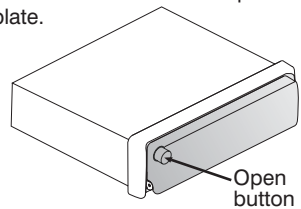
Note: The mounting box, outer trim ring, and half-sleeve are not used for method B installation.

- PANEL OPEN / CLOSE OPERATION



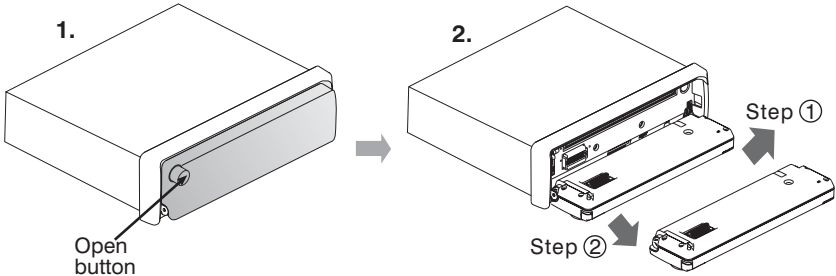
- Press Open button
- The CD slot will be accessible.
- After CD is loaded or unloaded return the panel to its original position.

Note: Before inserting or ejecting disc, press the Release button to flip down the faceplate.



4. DETACHABLE CONTROL PANEL(D.C.P)

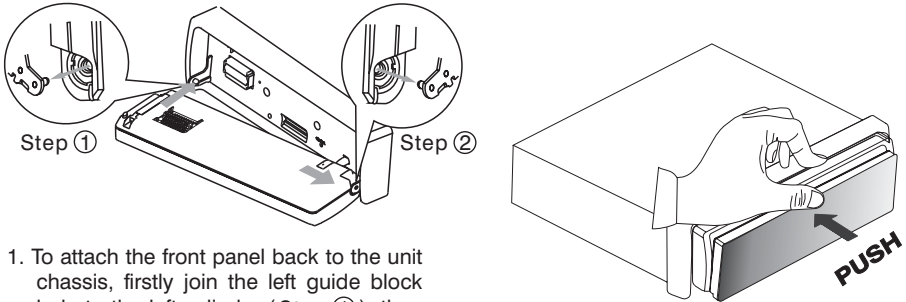
Removing The Detachable Front Panel



To remove the front panel:

1. Press the Panel Open Button.
2. After flipping down the front panel, push it rightwards (Step ①), then draw the left of the front panel outwards (Step ②).

Attaching The Detachable Front Panel

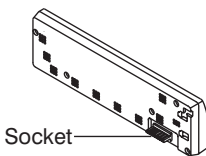


1. To attach the front panel back to the unit chassis, firstly join the left guide block hole to the left cylinder (Step ①), then join the right guide block hole and the right cylinder (Step ②).

2. Press the centre of the front panel until a “click” sound is heard.

CAUTION

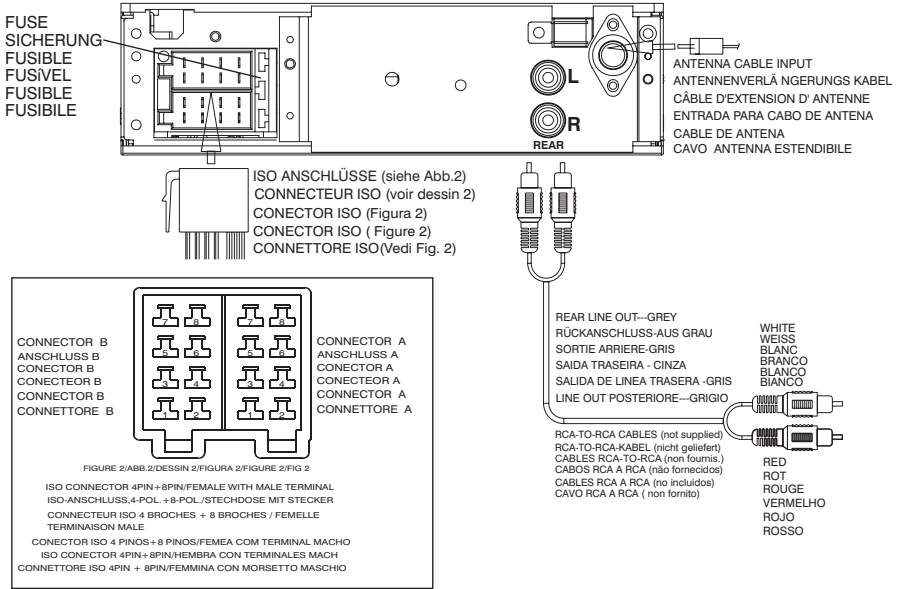
- The D.C.P can easily be damaged by shocks. After removing it, place it in a protective case and be careful not to drop it or subject it to strong shocks.
- When the release button is pressed and the D.C.P is unlocked, the car's vibrations may cause it to fall. To prevent damage to the D.C.P, always store it in a protective case after detaching it.
- The rear connector that connects the main unit and the D.C.P is an extremely important part. Be careful not to damage it by pressing on it with fingernails, pens, screwdrivers, etc.



Note:

If the D.C.P is dirty, wipe off the dirt with soft, dry cloth only. And use a cotton swab soaked in isopropyl alcohol to clean the socket on the back of the D.C.P.

5. WIRING DIAGRAM



EN

CONNECTOR WIRING CHART

PIN	WIRE COLOR	FUNCTION/LABEL
A4	YELLOW	CONSTANT 12 VOLTS
A5	BLUE	POWER ANTENNA/REMOTE TURN ON
A7	RED	IGNITION (ACC)
A8	BLACK	GROUND
B1	VIOLET	RIGHT REAR SPEAKER (+)
B2	VIOLET/BLACK	RIGHT REAR SPEAKER (-)
B3	GREY	RIGHT FRONT SPEAKER (+)
B4	GREY/BLACK	RIGHT FRONT SPEAKER (-)
B5	WHITE	LEFT FRONT SPEAKER (+)
B6	WHITE/BLACK	LEFT FRONT SPEAKER (-)
B7	GREEN	LEFT REAR SPEAKER (+)
B8	GREEN/BLACK	LEFT REAR SPEAKER (-)

FR

PLAN DE CABLAGE

FICHE	COULEUR DU CABLE	FONCTION / MARQUE
A4	JAUNE	BATTERIE (+)
A5	BLEU	PUISSANC ANTENNE
A7	ROUGE	IGNITION (ACC)
A8	NOIR	TERRE
B1	VIOLET	HAUT PARLEUR COTE DROIT (+)
B2	VIOLET/NOIR	HAUT PARLEUR COTE DROIT (-)
B3	GRIS	HAUT PARLEUR AVANT DROIT (+)
B4	GRIS/NOIR	HAUT PARLEUR AVANT DROIT (-)
B5	BLANC	HAUT PARLEUR AVANT GAUCHE (+)
B6	BLANC/NOIR	HAUT PARLEUR AVANT GAUCHE (-)
B7	VERT	HAUT PARLEUR COTE GAUCHE (+)
B8	VERT/NOIR	HAUT PARLEUR COTE GAUCHE (-)

ES

TABLA DE CONEXIONES EN CONECTORES

PIN	COLOR DE CABLE	FUNCI
A4	AMARILLO	+12V PERMANENTE
A5	AZUL	SALIDA ANTENA AUTOMÁTICA
A7	ROJO	+12V CONTACTO (ACC)
A8	NEGRO	MASA
B1	VIOLETA	ALTAVOZ TRASERO DERECHO (+)
B2	VIOLETA/NEGRO	ALTAVOZ TRASERO DERECHO (-)
B3	GRIS	ALTAVOZ FRONTAL DERECHO (+)
B4	GRIS/NEGRO	ALTAVOZ FRONTAL DERECHO (-)
B5	BLANCO	ALTAVOZ FRONTAL IZQUIERDO (+)
B6	BLANCO/NEGRO	ALTAVOZ FRONTAL IZQUIERDO (-)
B7	VERDE	ALTAVOZ TRASERO IZQUIERDO (+)
B8	VERDE/NEGRO	ALTAVOZ TRASERO IZQUIERDO (-)

DE

SCHALTPLAN ANSCHLUSS

PIN	KABELFARBE	FUNKTION / ETIKETT
A4	GELB	BATTERIE (+)
A5	BLAU	MOTORANTENNE
A7	ROT	ZÜNDUNG (ACC)
A8	SCHWARZ	ERDUNG
B1	VIOLETT	RECHTER REARLAUTSPRECHER (+)
B2	VIOLETT/SCHWARZ	RECHTER REARLAUTSPRECHER (-)
B3	GRAU	RECHTER FRONTLAUTSPRECHER (+)
B4	GRAU/SCHWARZ	RECHTER FRONTLAUTSPRECHER (-)
B5	WEIß	LINKER FRONTLAUTSPRECHER (+)
B6	WEIß/SCHWARZ	LINKER FRONTLAUTSPRECHER (-)
B7	GRÜN	LINKER REARLAUTSPRECHER (+)
B8	GRÜN/SCHWARZ	LINKER REARLAUTSPRECHER (-)

PT

TABELA DE CONEXÕES

PIN	COR DO FIO	FUNÇÃO/ETIQUETA
A4	AMARELO	BATERIA (+)
A5	AZUL	ANTENA ELÉTRICA
A7	VERMELHO	IGNIÇÃO
A8	PRETO	MASSA (FIO TERRA)
B1	VIOLETA	ALTO-FALANTE TRASEIRO DIREITO (+)
B2	VIOLETA/PRETO	ALTO-FALANTE TRASEIRO DIREITO (-)
B3	CINZA	ALTO-FALANTE DIANTEIRO DIREITO (+)
B4	CINZA/PRETO	ALTO-FALANTE DIANTEIRO DIREITO (-)
B5	BRANCO	ALTO-FALANTE DIANTEIRO ESQUERDO (+)
B6	BRANCO/PRETO	ALTO-FALANTE DIANTEIRO ESQUERDO (-)
B7	VERDE	ALTO-FALANTE TRASEIRO ESQUERDO (+)
B8	VERDE/PRETO	ALTO-FALANTE TRASEIRO ESQUERDO (-)

IT

SCHEMA DI COLLEGAMENTO

PIN	COLOR E CAVO	FUNZIONE
A4	GIALLO	BATTERIA (+)
A5	BLU	ANTENNA DI POTENZA
A7	ROSSO	ACCENSIONE (ACC)
A8	NERO	TERRA
B1	VIOLA	CASSA DESTRA POSTERIORE (+)
B2	VIOLA/NERO	CASSA DESTRA POSTERIORE (-)
B3	GRIGIO	CASSA DESTRA ANTERIORE (+)
B4	GRIGIO/NERO	CASSA DESTRA ANTERIORE (-)
B5	BIANCO	CASSA SINISTRA ANTERIORE (+)
B6	BIANCO/NERO	CASSA SINISTRA ANTERIORE (-)
B7	VERDE	CASSA SINISTRA POSTERIORE (+)
B8	VERDE/NERO	CASSA SINISTRA POSTERIORE (-)

6. BASIC OPERATIONS

1) PANEL OPEN BUTTON ()

Press the Panel open Button to fold down the front panel.

5) POWER ON/OFF BUTTON ()

Press this button to turn on or off the power.

10) DISPLAY BUTTON(DIS)

Press this button briefly, the LCD will display the clock for about 2 seconds, then return to previous display mode.

Clock Adjustment

Under clock display mode, press DISP button until the LCD flashes, press Tuning Up Button to adjust hour and Tuning Down Button to adjust minute.

7) SOURCE BUTTON (SOURCE)

- Press this button to select different mode , sequence as follow:

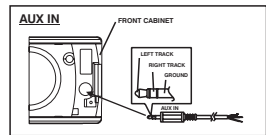
A) Tuner mode (Radio)

B) CDP / MP3 (only if a CD or MP3 disc is inserted)

C) AUX IN (optional, only if this unit with this features)

14) AUX-IN JACK ON FRONT PANEL

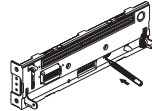
Connect the external signal to AUX in jack located at the front of the panel , then press Mode button to select Aux mode. Press Mode Button again to cancel Aux Mode and return to previous mode.



RESET BUTTON

The RESET button is located on the main unit (as shown on the diagram). To press it vertically with a ballpoint pen or metal object will activate it. The reset button is to be activated for the following reasons:

- Initial installation of the unit when all wiring is completed.
- All the function buttons do not operate.
- Error symbol on the display.



Note: If press RESET button, the unit still cannot function normally, please use a cotton swab soaked in isopropyl alcohol to clean the socket on the back of the control panel.

7. AUDIO OPERATIONS

2) ENCODER VOLUME KNOB

Turn this knob to adjust desired volume level.

13) AUDIO /MENU BUTTON

Press this button to select desired audio function.

ORDER OF FUNCTION: VOL->BASS (BAS)->TREBLE (TRE)->BALANCE (BAL)-> FADER (FAD)

While the selected function is displayed, turn Volume Knob to adjust the level within 5 seconds, otherwise the unit will return to volume adjustment mode.

6) MUTE BUTTON (MUTE)

Press this button to mute the sound. Press it again to resume listening.

8) BAND/LOUDNESS BUTTON (BAND/LOUD)

Press the Band/Loudness Button long to switch the loudness on or off. When Loudness is on, display will show 'Loud On' for a few seconds.

8. RADIO OPERATIONS

9) AUTO MEMORY STORE/PRESET SCAN BUTTON (AS)

1. PRESET SCAN: Press AS/PS button briefly to enter Preset Scan mode, it will scan all the preset stations in the memories, you can hear that it will stay on each station for about 5 seconds.

2. AUTO MEMORY STORE: Press AS/PS button for couple of seconds to enter Auto Store mode, this feature will automatically scan the current band and enter up to 6 strongest stations into the 6 preset memories. To stop Auto Store & Scan, press the AS/PS button again.

3) STATION PRESET BUTTONS (M1-M6)

1. Press these buttons briefly to recall the stored stations in the selected band.

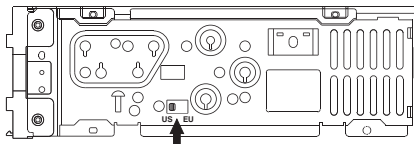
2. Presetting stations manually, Press the BAND button to select the band for the station to be preset. Use Tuning Up/Down to tune in the stations to be preset. Press the Preset button at which you want to store the station for at least 2 second. The preset number will appear on the display accompanied by a beep, this indicate that the station has been stored into memory.

8) BAND/LOUDNESS BUTTON (BND/LOU)

This a dual function button. Press this button short to change between BAND FM1, FM2, FM3 & AM/MW bands. Press it long to turn on or off Loudness function.

DUAL FREQUENCY SWITCH

Unit is defaulted in U.S.A frequency, if EURO frequency is required, a sharp pen is needed to switch the button on the left side of the chassis to EURO frequency.



4) TUNING / SEEK UP AND TUNING / SEEK DOWN BUTTONS

1. Press these buttons briefly will operate AUTO SEARCH tuning mode, the radio will tune up or down to the next station and remain on the frequency.

2. Press these buttons more than 2 seconds, operate as MANUAL SEARCH buttons, under this mode the tuning frequency will advance up or down rapidly when the button is pressed. If the buttons are not pressed within 3 seconds, they will return to auto search mode.

11) SCAN BUTTON(SCN)

Press this button, the radio will tune up to search stations, the available stations will blinking and stay on the display for a few seconds.

12) LOCAL/DISTANT BUTTON (LO/DX)

During station tuning, this button allows you prior to access strong local station only (Local mode), or to access a wider range of using distant mode (DX). When power up DX mode will be selected automatically; Press LOC button briefly to select Local mode and "LOCAL" symbol on the LCD will light up for a few seconds.

9.CD OPERATIONS

15) CD SLOT

Insert the disc into CD slot. The CD will begin to play.

M1) PAUSE BUTTON (PAU)

Press this button to pause CD play, press again to release pause.

M2) INTROL BUTTON (SCN)

Press this button, the first 10 seconds of each track will be played sequentially until this button is pressed again, then normal play will resume at the current track.

M3) REPEAT BUTTON (RPT)

Press this button, the current track will be played repeatedly until this button is pressed again.

M4) RANDOM PLAY BUTTON(SHF)

When random play mode is selected, the tracks will be played in random order, press this key one more time to cancel random play mode.

4) TRACK UP AND TRACK DOWN BUTTON

Press the Track Up Button to skip to the next track or previous track. Press the Track Down button during play will return to the beginning of the current track, press it one more time to skip to previous skip. Press and hold Track Up/Down Button to fast forward or fast reverse. CD player starts when you release the button.

16) EJECT BUTTON (▲)

Press this button to eject the CD from the unit. The receiver will switches to radio mode automatically.

10.MP3 OPERATIONS(ENCODER VERSION)

Notes :

- An MP3 directory is shown in this manual as "Directory", and an MP3 file is shown as "Track".
- Maximum length of file name : 28 characters.
- Maximum length of directory : 16 characters.
- Maximum no of folder on CD-Disc: 99
- Maximum no of files / songs on CD-Disc 999
- Sampling Frequencies support : 32KHz, 44 KHz, 48KHz.
- Bit Rates support : 64 - 320KHz including VBR.
- Supports Multi-Session recording.
- Supports CD, CDR and CDRW.
- Disc written by Packet Write (UDF) is not supported.

LOADING DISC

Insert the CD as usual, if it is an MP3 CD, the display will show "MP3 T01" then the message "READING" will appear, when disc scanning completed, the first track on the first directory will play.

NOTE: 1)MP3 ICON turns on when a MP3 disc is playing.

2)MP3 ICON is blinking when under directory/Files search mode.

NAVIGATING THROUGH DIRECTORIES AND TRACKS

NOTE: MP3 Directory / Track selection can be done by Encoder Volume Knob or Tune Up / Down Buttons Both operations will be described. But Encoder Volume Knob is available on some models only. Please skip this description if your model is not equipped with this feature.

THERE ARE FOUR WAYS TO SELECT YOUR FAVORITE TRACK / DIRECTORY

A) SEARCHING TRACK DIRECTLY

Under MP3 play mode, press MP3 MENU BUTTON once, the display shows "MP3 T*", enter the desired track number directly, then press MP3 ENTER BUTTON to confirm. The distribution of the number are listed as follow:

Number	1	2	3	4	5	6	7	8	9	0
Button	M1	M2	M3	M4	M5	M6	MODE	TUNE.DN	TUNE.UP	DISP

SEARCH TRACK NUMBER BY USING ENCODER VOLUME KNOB

Rotate the ENCODER VOLUME KNOB to scroll through the numbers, then press MP3 ENTER BUTTON to confirm.

B) SEARCHING BY DIRECTORY OR TRACK NAME

(1) SEARCH DIRECTORY / TRACK NAME BY USING TUNE UP / DOWN BUTTON

Under MP3 Play Mode, press MP3 MENU BUTTON twice, the display shows " * ", enter the character directly. The unit searches files and directories which have the same character which is inputted by the user. The unit shows these sorted files and directories by TUNE UP / DOWN Button (TUNE DOWN First). If the selected name is directory, the user can go into the selected directory by press MP3 ENTER BUTTON and continue to search the directory or file name in the directory by TUNE UP / DOWN Button (TUNE DOWN First). The selected file can be played by pressing MP3 Enter Button

The distribution of alphabetical characters are listed as follow :

Button	M1	M2	M3	M4	M5	M6	MODE	TUNE DN	TUNE UP		SEL	VOL UP/DN
Character	A,B,C	D,E,F	G,H,I	J,K,L	M,N,O	P,Q,R	S,T,U	V,W,X	Y,Z, Space	_,*,+	Move Cursor	Next/Previous Character

(2) SEARCH DIRECTORY / TRACK NAME BY USING ENCODER VOLUME KNOB

Under MP3 Play Mode, press MP3 MENU BUTTON twice, the display shows " * ". Rotate the ENCODER VOLUME KNOB for selecting the character. In this Encoder Search mode, SELECT button use as move cursor. Press BAND/LOUDNESS button use as MP3 CONFIRM BUTTON. The unit searches files and directories which have the same character which is inputted by the user. The unit shows these sorted files and directories by ENCODER VOLUME KNOB (ROTATE ANTI-CLOCKWISE First). If the selected name is directory, the user can go into the selected directory by press MP3 CONFIRM BUTTON and continue to search the directory or file name in the directory by ENCODER VOLUME KNOB (ROTATE ANTI-CLOCKWISE First) The selected file can be played by pressing MP3 ONFIRM BUTTON.

(C) SEARCHING FROM DIRECTORY

(1) SEARCH DIRECTORY BY USING TUNE UP / DOWN BUTTON.

Under MP3 play mode, press MP3 MENU BUTTON three times, Then the first Directory name is shown. Press TUNE UP/DOWN (TUNE DOWN FIRST) to navigate through the directory list, press MP3 ENTER BUTTON to select the desired directory. The display will show " \ ". To select the tracks under the selected directory, by pressing TUNE UP/DOWN Buttons (TUNE DOWN FIRST) then press MP3 ENTER BUTTON to confirm when desired track is found.

(2) SEARCH DIRECTORY BY USING ENCODER VOLUME KNOB

Under MP3 play mode, press MP3 MENU BUTTON three times, Then the first Directory name is shown. Rotate ENCODER VOLUME KNOB (ROTATE ANTI-CLOCKWISE First) to navigate through the directory list, press MP3 ENTER BUTTON to select the desired directory. The display will show " \ ". To select the tracks under the selected directory, by Rotate ENCODER VOLUME KNOB (ROTATE ANTI-CLOCKWISE First) then press MP3 ENTER BUTTON to confirm when desired track is found.

(D) NAVIGATING THROUGH DIRECTORY BY USING M5/M6 BUTTON

Press directory up (M6) or directory down (M5) buttons to skip the current directory forward or backward by one position.

In a multi-level directories disc, the movement will take place at the current level until the last directory is reached. At this point press directory down (M5) again , it will move to the next level of directory.

ID3 TAG

Press DISPLAY button repeatedly to Display ID3 TAG information.

If the MP3 file is available with ID3 TAG, pressing the display button repeatedly will show information in the following sequence:

SONG TITLE > ARTIST> ALBUM TITLE

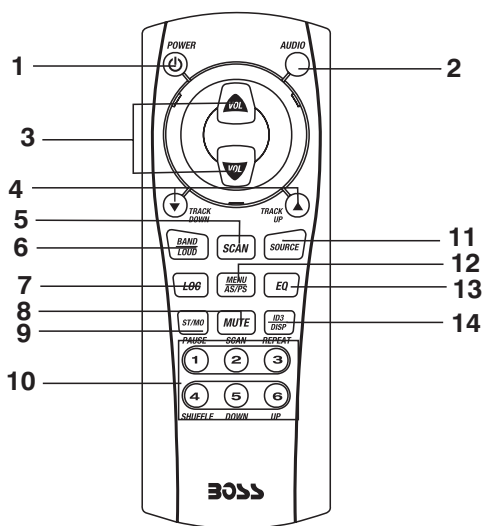
If any of the ID3-TAG information is not available, pressing the DISPLAY button repeatedly will show information in the following sequence:

UNKNOWN SONGNAME> UNKNOWN ARTIST> NO ALBUM TITLE

If the MP3 file is without ID3 TAG, pressing the DISPLAY button, & "NO ID3 TAG" will be displayed.

The file name & track number of the MP3 file will scroll repeatedly through the display during the playing of the MP3 file.

11.REMOTE CONTROL



OPERATIONS:

Key	Radio Mode	CD Player Mode	MP3 Mode
1. Power (⏻)	Power On/Off	Power On/Off	Power On/Off
2. Audio	Select Vol, Bas, Tre, Fad, Bal	Select Vol, Bas, Tre, Fad, Bal	Select Vol, Bas, Tre, Fad, Bal
3. Volume Up/Down	Adjust Vol,Bas, Tre,Fad,Bal	Adjust Vol,Bas, Tre,Fad,Bal	Adjust Vol,Bas, Tre,Fad,Bal
4. Tuning Up/Down	Tuning/Seek Up/Down	Track Up/Down	Track Up/Down or Numeric Key 8 (DN), 9(UP)*
5. Scan (SCN)	Station Scan	No Function	No Function
6. Band (BND)	Band/Loudness	Loudness	Loudness or Enter*
7. Loc	Local/DX	No Function	No Function
8. Mute	Mute	Mute	Mute
9. Mono/ST (MO)	FM Mono/Stereo	No Function	No Function
10. Numeric Key(1)	Preset station 1	Pause	Pause
(2)	Preset station 2	CD Scan	CD Scan
(3)	Preset station 3	Repeat	Repeat
(4)	Preset station 4	Shuffle	Shuffle
(5)	Preset station 5	No Function	Directory Down
(6)	Preset station 6	No Function	Directory Up
11. Mode (MOD)	Change to CD Mode	Change to Radio Mode	Change to Radio Mode or Numeric Key 7*
12. AMS	Auto Store/Preset Scan	No Function	Menu
13. PEQ	Preset EQ	Preset EQ	Preset EQ
14. DISP	Display Clock	Display Clock, Track, Play Time	Display Clock, MP3 info or Numeric Key 0*

*Numeric Key 0,7,8,9, and "Enter" Function are accessible after Menu key has been pressed.

12.SPECIFICATIONS

EN

CD PLAYER

System	Compact disc audio system
Usable disc	Compact disc
Sampling frequency	44,1KHz
No of quantization bits	1bit
Frequency	5-20,000Hz
Number of channels	2 channels
S/N Ratio	70dB

RADIO SECTION

FM

Frequency Range

Intermediate Frequency	87.5-107.9MHz
Usable Sensitivity	87.5-108MHz
Stereo Separation	10.7 MHz
S/N Ratio	Better than 15dB at S/N 30 dB
	25 dB at 1KHz
	50 dB

AM/MW

Frequency Range

Intermediate Frequency	530-1710KHz
Usable Sensitivity	522-1620KHz
S/N Ratio	450KHz
	Better than 45dB
	40 dB

GENERAL

Power Supply

Polarity

Speaker Impedance

Power Output

DC 11 -14V
Negative Ground
4 ohms
4x 80 Watts

REMARK :

Specifications subject to change without notice.

DE

CD PLAYER

System	Compact Disc Audio System
Abspielbare Discs	Compact Disc
Sampling-Frequenz	44,1 kHz
Anzahl Quantisierungsbits	1 bit
Frequenz	5-20.000Hz
Anzahl Kanäle	2 Kanäle
Signalrauschabstand	70 dB

RADIOTEIL

FM

Frequenzbereich

87.5-107.9MHz
87.5-108MHz
10.7 MHz
Besser als 15 dB bei einem
Signalrauschabstand von 30 dB
25 dB bei 1 kHz
50 dB

Stereotrennung

Signalrauschabstand

AM/MW

Frequenzbereich

530-1710KHz
522-1620KHz
450KHz
Besser als 45 dB
40 dB

Zwischenfrequenz

Nutzbare Empfindlichkeit

Signalrauschabstand

ALLGEMEINES

Stromversorgung

Polarität

Lautsprecherimpedanz

Ausgangsleistung

DC 11-14 V
Erde negativ
4 Ohm
80 W x 4

ANMERKUNG:

Technische Änderungen ohne Meldepflicht vorbehalten.

FR

LECTEUR CD

Systeme	Compact disc audio system
Disques utilisables	Compact disc
Fréquence échantillonnage	44,1 KHz
Nbre de quantisation bits	1bit
Fréquence	5-20,000Hz
Nombre de canaux	2 canaux
Ratio S/B	70dB

SECTION RADIO

FM

Gamme de fréquences

87.5-107.9MHz
87.5-108MHz
10.7 MHz
Plus de 15dB à S/B 30 dB
25 dB à 1KHz
50 dB

Fréquence intermédiaire

Sensibilité utilisable

Séparation stéréo

Ratio S/B

AM/MW

Plage de fréquences

530-1710KHz
522-1620KHz
450KHz
Supérieure à 45 dB
40 dB

Fréquence intermédiaire

Sensibilité utilisable

Rapport Signal/Bruit

GENERAL

Alimentation

Polarité

Résistance des enceintes

Puissance de sortie

11 -14V DC
Masse / négative
4 ohms
80W x 4

REMARQUE :

Les spécifications sont susceptibles d'être modifiées sans préavis.

PT

CD Player

Sistema:	Sistema áudio CD
Tipo de disco:	CD
Frequência de Amostragem:	44,1KHz
Conversor D/A:	1bit
Resposta de frequência	5-20,000Hz
Número de canais:	2 canais
Relação sinal/ruído:	70dB

Rádio FM

Faixa de Frequencia:

87.5-107.9MHz
87.5-108MHz
10.7 MHz
Sensibilidade útil:
Separação estéreo
Relação Sinal/Ruído
50 dB

AM/MW

Faixa de frequência:

530-1710KHz
522-1620KHz
450KHz
Melhor do que 45dB
40dB

Geral:

Alimentação:

Polaridade:

Impedância alto-falantes:

Potência de saída:

DC 11-14V
Terra negativo
4ohms
40W x 4

Nota:

As especificações estão sujeitas a alterações sem prévio aviso.

ES

CD PLAYER

Sistema:	Compact disc audio system.
Disco:	Compact Disc.
Frecuencia Muestreo:	44,1KHz.
Cuantificación:	1bit.
Frecuencia:	5-20,000Hz.
Número de canales:	2 canales.
Relación señal/Ruido S/N Ratio	70dB

RADIO SECCIÓN

FM

Rango Frecuencia:

87.5-107.9MHz
87.5-108MHz
10.7MHz.
Mejor que 15dB a S/N 30dB.
25dB a 1KHz.
50dB.

AM/MW

Rango Frecuencia:

530-1710KHz
522-1620KHz
450KHz.
Mejor que 45dB.
40dB.

Frecuencia Intermedia:

Sensibilidad útil:

S/N Ratio:

GENERAL

Alimentación:

Polaridad:

Impedancia altavoces:

Potencia de salida:

Nota: Debido al rápido avance tecnológico, estas especificaciones están sujetas a cambios sin previo aviso.

IT

LETTORE CD

Sistema	Sistema di Audio CD
Tipo di disco	CD
Frequenza di campionatura	44,1KHz
N° quantizzazioni Bit	1 bit
Frequenza	5-20,000 Hz
Numero di Canali	2 Canali
Rapporto S/N	70db

SEZIONE RADIO

FM

Raggio di Frequenza

87.5-107.9MHz
87.5-108MHz
10.7 MHz
migliore di 15dB a S/N 30 dB
25dB a 1KHz
50dB

Frequenza intermedia

Sensibilità

Separazione Stereo

Rapporto S/N

AM/MW

Raggio di Frequenza

530-1710KHz
522-1620KHz
450KHz
migliore di 45dB
40dB

Frequenza intermedia

Sensibilità

Rapporto S/N

GENERALE

Alimentazione

Polarità

Impedenza altoparlanti

Potenza d'uscita

Dc11 14V
Terra negativo
4 ohms
4x 80 Watts

Le specifiche sono soggette a cambiamenti senza alcun preavviso.

13.TROUBLE SHOOTING

Before going through the check list, check wiring connection. If any of the problems persist after check list has been made, consult your nearest service dealer.

Symptom	Cause	Solution
No power	The car ignition is not on.	If the power supply is properly connected to the car accessory terminal, switch the ignition key to "ACC"
	The fuse is blown.	Replace the fuse.
Disc cannot be loaded or ejected	Presence of CD disc inside the player.	Remove the disc in the player, then put a new one.
	Inserting the disc in reverse direction.	Insert the compact disc with the label facing upward.
	Compact disc is extremely dirty or defective disc.	Clean the disc or try to play a new one.
	Temperature inside the car is too high.	Cool off or until the ambient temperature returns to normal.
	Condensation.	Leave the player to off for an hour or so, then try again.
No sound	Volume is in minimum.	Adjust volume to a desired level.
	Wiring is not properly connected.	Check wiring connection.
The operation keys do not work	The built-in microcomputer is not operating properly due to noise.	Press the RESET button. Front panel is not properly fixed into its place
Sound skips.	The installation angle is more than 30 degrees.	Adjust the installation angle to less than 30 degrees.
	The disc is extremely dirt or defective disc.	Clean the compact disc. Then try to play a new one.
The radio does not work. The radio station automatic selection does not work.	The antenna cable is not connected.	Insert the antenna cable firmly.
	The signals are too weak.	Select a station manually.
ERROR 1	Mechanism Error	Press the reset button if the error code does not disappear, consult your nearest service dealer.
ERROR 2	Servo Error	Press the reset button if the error code does not disappear, consult your nearest service dealer.



If at any time in the future you should need to dispose of this product, please noted that: Waste electrical products should not be disposed of with household waste. Please recycle where facilities exist. Check with your local Authority or retailer for recycling advice. (Waste Electrical and Electronic Equipment Directive).

Free Manuals Download Website

<http://myh66.com>

<http://usermanuals.us>

<http://www.somanuals.com>

<http://www.4manuals.cc>

<http://www.manual-lib.com>

<http://www.404manual.com>

<http://www.luxmanual.com>

<http://aubethermostatmanual.com>

Golf course search by state

<http://golfingnear.com>

Email search by domain

<http://emailbydomain.com>

Auto manuals search

<http://auto.somanuals.com>

TV manuals search

<http://tv.somanuals.com>