

MR1525UI

FULLY MARINIZED
FULL iPod® CONTROL
MP3-COMPATIBLE IN-DASH CD AM/FM RECEIVER
WITH USB AND SD MEMORY CARD PORTS AND FRONT PANEL AUX INPUT

08.2011

BOSS® AUDIO SYSTEMS

3451 Lunar Court • Oxnard, CA 93030
www.bosssaudio.com
800.999.1236

tech support: www.bosssaudio.com/support



iPod® is a trademark of Apple, Inc.
registered in the U.S. and other countries.

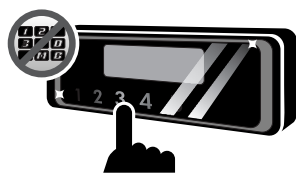
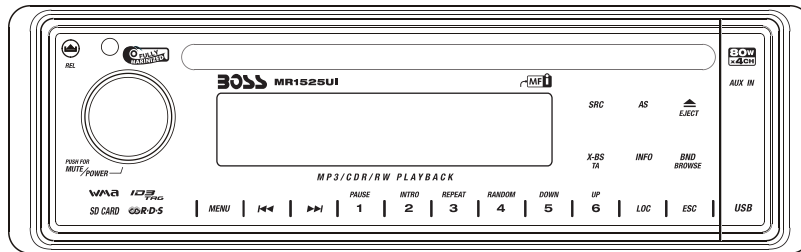
USER'S MANUAL MR1525UI

FULLY MARINIZED
FULL iPod® CONTROL
MP3-COMPATIBLE IN-DASH
CD AM/FM RECEIVER
WITH USB AND SD MEMORY CARD PORTS AND
FRONT PANEL AUX INPUT



BOSS® AUDIO SYSTEMS

Boss Audio Systems is not affiliated with Apple, Inc.



BUTTON LESS TOUCH PAD PANEL

This radio is equipped with the most advanced "TOUCH SENSE PANEL", so that it is easy and convenient to use while driving.

Tips Here are some tips to show you how easy it is to use this touch sense panel:

- Using a very light touch on the radio panel will activate that feature. You will not need to "PRESS" hard on the panel to make this radio change features.
- The power button along with some of the buttons that have dual functions, will need to be "TOUCHED" from 2 to 3 seconds to make the change.
- The best area to "TOUCH" on the panel to make it activate is the illuminated or lighted area. For example, just touch for 2 to 3 seconds the illuminated power symbol and the unit will turn on or off.

1. HANDLING COMPACT DISCS

MOISTURE CONDENSATION

On a rainy day or in a very damp area, moisture may condense on the lenses inside the unit. Should this occur, the unit will not operate properly. In such a case, remove the disc and wait for about an hour until the moisture has evaporated.

NOTES ON CDs

1. A dirty or defective disc may cause sound dropouts while playing. To enjoy optimum sound, handle the disc as follows.

Handle the disc by its edge. To keep the disc clean, do not touch the surface (P.1).



2. Do not stick paper or tape on the disc (P.2).



3. Do not expose the discs to direct sunlight or heat sources such as hot air-ducts, or leave them in a car parked in direct sunlight where there can be a considerable rise in temperature inside the car (P.3).



4. Before playing, clean the discs with an optional cleaning cloth. Wipe each disc from the centre out (P.4).



5. Do not use solvents such as benzene, thinner, commercially available cleaners, or antistatic spray intended for analog discs.

NOTES ON DISCS

If you use the discs explained below, the sticky residue can cause the CD to stop spinning and may cause malfunction or ruin your discs.

Do not use second-hand or rental CDs that have a sticky residue on the surface (for example, from peeled-off stickers or from ink, or glue leaking from under the stickers).

**There are paste residue.
Ink is sticky (P.5).**



Do not use rental CDs with old labels that are beginning to peel off.

Stickers that are beginning to peel away, leaving a sticky residue (P.6).



Do not use your CDs with labels or stickers attached.

Labels are attached (P.7).



Do Not Use Special Shape CDs

Be sure to use round shape CDs only for this unit and do not use any special shape CDs. Use of special shape CDs may cause the unit to malfunction.(P.8).

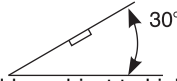


Be sure to use CDs with disc mark

CD-Rs and CD-RWs which have not undergone finalization processing cannot be played. (For more information on finalization processing, refer to the manual for your CD-R/CD-RW writing software or CD-R/CD-RW recorder.) Additionally, depending on the recording status, it may prove impossible to play certain CDs record on CD-R or CD-RW.

2. INSTALLATION

- Before finally installing the unit, connect the wiring temporarily and make sure it is all connected up properly and the unit and system work properly.
- Use only the parts included with the unit to ensure proper installation. The use of unauthorized parts can cause malfunctions.
- Consult with your nearest dealer if installation requires the drilling of holes or other modifications of the vehicle.
- Install the unit where it does not get in the driver's way and cannot injure the passenger if there is a sudden stop, like an emergency stop.
- If installation angle exceeds 30° from horizontal, the unit might not give its optimum performance.



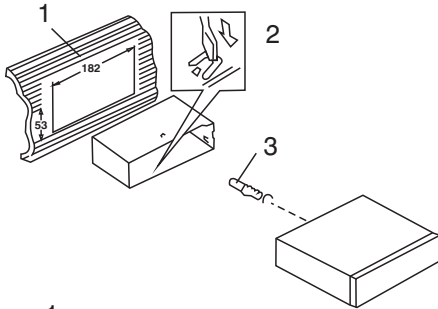
- Avoid installing the unit where it would be subject to high temperature, such as from direct sunlight, or from hot air, from heater, or where it would be subject to dust dirt or excessive vibration.
- Be sure to remove the front panel before installing the unit.

DIN FRONT/REAR-MOUNT

This unit can be properly installed either from "Front" (conventional DIN Front-mount) or "Rear" (DIN Rear-mount installation, utilizing threaded screw holes at the sides of the unit chassis). For details, refer to the following illustrated installation methods A and B.

DIN FRONT-MOUNT (Method A)

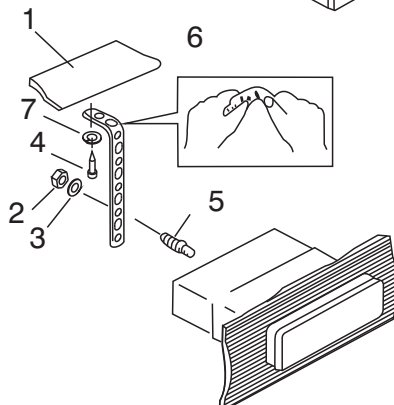
Installation the unit



1. Dashboard
2. Holder

After inserting the half sleeve into the dashboard, select the appropriate tab according to the thickness of the dashboard material and bend them inwards to secure the holder in place.

3. Screw

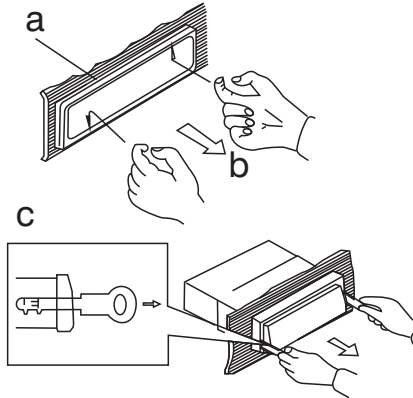


1. Dashboard
2. Nut (5mm)
3. Spring washer
4. Screw (4x12mm)
5. Screw
6. Support Strap
7. Plain washer

Be sure to use the support strap to secure the back of the unit in place. The strap can be bent by hand to the desired angle.

7. Plain washer

Removing the unit



- a. Frame
- b. Insert fingers into the groove in the front of frame and pull out to remove the frame. (When re-attaching the frame, point the side with a groove down wards and attach it.)
- c. Insert the levers supplied with the unit into the grooves at both sides of the unit as shown in figure until they click. Pulling the levers makes it possible to remove the unit from the dashboard.

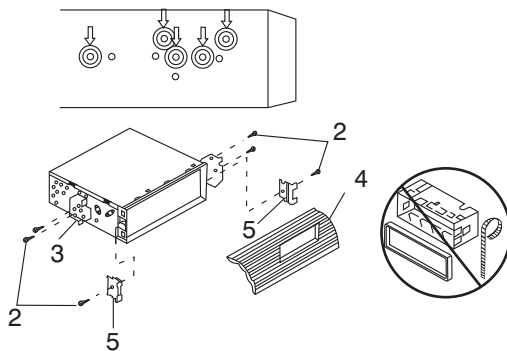
Trim Plate Installation:

Push the trim plate against the chassis until it is fitted.

You must do this before you install the front panel, otherwise it can't be attached.

DIN REAR-MOUNT (METHOD B)

Installation using the screw holes on the sides of the unit.
Fastening the unit to the factory radio mounting bracket.



1. Select a position where the screw holes of the bracket and the screw holes of the main unit become aligned (are fitted) and tighten the screws at 2 places on each side.
2. Screw
3. Factory radio mounting bracket.
4. Dashboard or Console
5. Hook (Remove this part)

Note: the mounting box, outer trim ring, and half-sleeve are not used for method B installation.

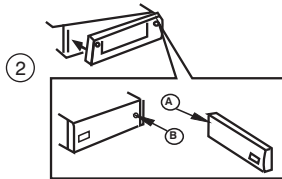
3. DETACHABLE CONTROL PANEL (D.C.P.)

Removing The Detachable Control Panel (D.C.P).



1. Turn the power off
2. Press the D.C.P. release button
3. Remove the D.C.P.

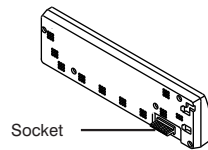
Attaching the DCP



1. Attach the panel at the right side first, with point B on the main unit touching point A on the D.C.P. (As shown on the diagram).
2. Then press the left side of D.C.P. onto the main unit until a "click" sound is heard.

CAUTION

- DO NOT insert the D.C.P. from the left side. Doing so may damage it.
- The D.C.P. can easily be damaged by shocks. After removing it, place it in a protective case and be careful not to drop it or subject it to strong shocks.
- When the release button is pressed and the D.C.P. is unlocked, the car's vibrations may cause it to fall. To prevent damage to the D.C.P, always store it in a protective case after detaching it.
- The rear connector that connects the main unit and the D.C.P is an extremely important part. Be careful not to damage it by pressing on it with fingernails, pens, screwdrivers, etc.

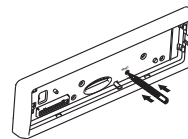


Note:

If the D.C.P is dirty, wipe off the dirt with soft, dry cloth only. And use a cotton swab soaked in isopropyl alcohol to clean the socket on the back of the D.C.P.

RESETTING THE UNIT:

- After releasing the front panel, use a pencil or any non-metalic object to press & hold the reset button for five seconds to reset the unit.



4. WIRING DIAGRAM (BUILT-IN ISO)

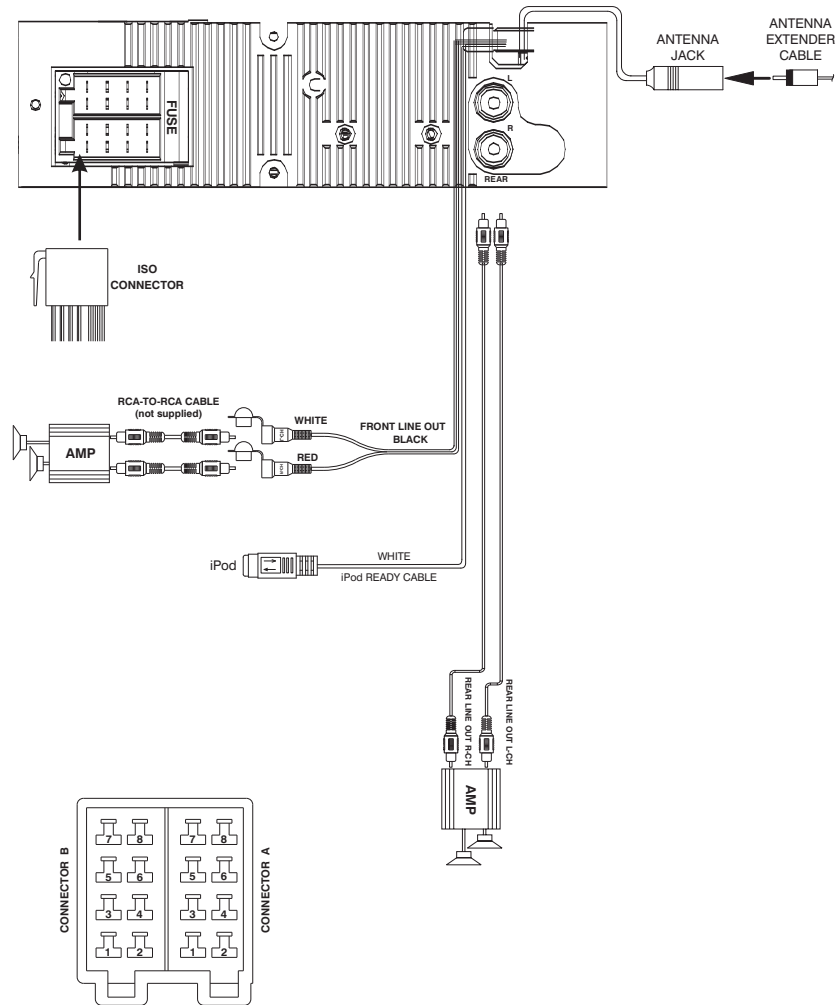
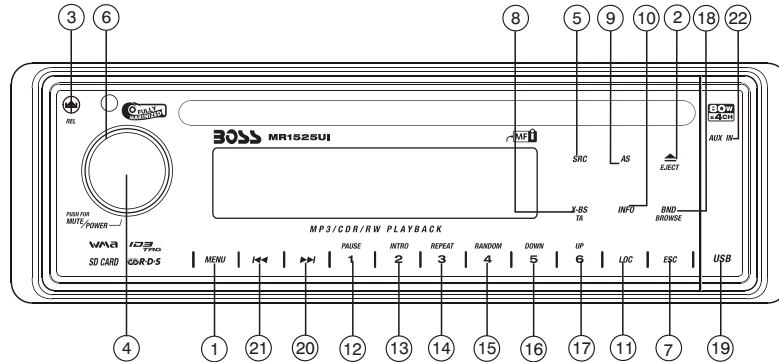


Figure 2

ISO CONNECTOR WIRING CHART

PIN	WIRE COLOR	FUNCTION/LABEL
A4	YELLOW	BATTERY(+)
A5	BLUE	POWER ANTENNA
A7	RED	IGNITION(ACC)
A8	BLACK	GROUND
B1	VIOLET	RIGHT REAR SPEAKER (+)
B2	VIOLET/BLACK	RIGHT REAR SPEAKER (-)
B3	GREY	RIGHT FRONT SPEAKER (+)
B4	GREY/BLACK	RIGHT FRONT SPEAKER (-)
B5	WHITE	LEFT FRONT SPEAKER (+)
B6	WHITE/BLACK	LEFT FRONT SPEAKER (-)
B7	GREEN	LEFT REAR SPEAKER (+)
B8	GREEN/BLACK	LEFT REAR SPEAKER (-)

5. CONTROL PANEL FUNCTION



OPERATIONS:

KEY	SYSTEM		TUNER		CD/MP3/WMA		iPod	
	Short Press	Long Press	Short Press	Long Press	Short Press	Long Press	Short Press	Long Press
1	Audio Menu	System Menu						
2	Eject							
3	Panel Release button							
4	Mute	Power			Enter		Enter	
5	Mode							
6	Encoder Volume							
7	ESC							
8	ix-Bass			TA				
9				Auto Store				
10			RDS Info		ID3 Info		iPod Info	
11			LO/DX					
12			M1	Memory 1	Pause /Play		Pause /Play	
13			M2	Memory 2	Intro	Folder Intro		
14			M3	Memory 3	Repeat	Folder Repeat	Repeat	Album Repeat
15			M4	Memory 4	Random	Folder Random	Random	Album Random
16			M5	Memory 5	Folder Down			
17			M6	Memory 6	Folder Up			
18			Band		File Browser		iPod Browser	
19	USB Cover / Socket							
20			Seek Up	Tune Up	Track/File Up	Fast Forward	File Up	Fast Forward
21			Seek Down	Tune Down	Track/File Down	Fast Backward	File Down	Fast Backward
22	AUX IN JACK ON FRONT PANEL							

6. BASIC OPERATIONS

3) PANEL RELEASE BUTTON ()

Press this button to remove the control panel.

4) POWER ON/OFF BUTTON (POWER/MUTE)

Press POWER/MUTE button or any other button on the front of the radio (except Open/Eject) to turn the unit on. And hold & press POWER/MUTE button again to turn the unit off.

4) MUTE BUTTON (POWER/MUTE)

Short press the POWER/MUTE button momentarily to mute the audio volume, and "MUTE" will flash in the display. Press the POWER/MUTE button again to restore volume to the previous setting.

8) iX-BASS BUTTON (XBS)

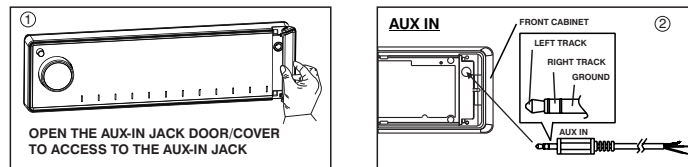
Press the XBS button to turn on the iX-Bass function, and the "X-BAS" icon will appear on the LCD display. Press the XBS button again to turn off the iX-Bass function.

5) SOURCE BUTTON (SRC)

Press SOURCE button to select a different mode of operation as indicated on the display panel. Available modes include TUNER, DISC, USB, AUX-IN , SD CARD & iPod.

22) AUX IN JACK ON FRONT PANEL

Connect the external signal to AUX in jack located at the front of the panel , then press Source button to select Aux mode. Press Source Button again to cancel Aux Mode and return to previous mode.



6) ENCODER VOLUME BUTTON

To increase the volume, rotate the Encoder Volume Knob clockwise. To decrease the volume, rotate the Encoder Volume Knob counter clockwise. When volume is adjusted, the volume level will be shown on the display panel as a number ranging from 0 (lowest) to 46 (highest).

2) EJECT BUTTON ()

Press this button to eject the CD from the unit. The receiver will switch to radio mode automatically.

7) ESC BUTTON (ESC)

Press this button to quick return previous menu or mode.

7. SYSTEM MENU SETTING

1) MENU FUNCTION LIST (MENU)

Hold & Press MENU button to access into the System Menu setting mode. *MENU* Will appear in the display momentarily. Navigate the menu by pressing MENU momentarily to move to the next option. Once the desired option appears in the display, adjust that option by rotating the Encoder Volume Knob (press the volume up / down button) within 5 seconds. The following options are adjusted through this menu feature.

PTY (Program Type)

Once into the PTY mode, you can be press Audio button to get into program type item, and rotate Encoder Volume Knob to selected category.

Music Group	Speech Group
POP M, ROCK M	NEWS, AFFAIRS, INFO
EASY M, LIGHT M	SPORT, EDUCATE, DRAMA
CLASSICS, OTHER M	CULTURE, SCIENCE, VARIED
JAZZ M, COUNTRY	WEATHER, FINANCE, CHILDREN
NATION M, OLDIES M	SOCIAL, RELIGION, PHONE IN
FOLK M, A-TEXT, ALARM	TRAVEL, LEISURE, DOCUMENT

AF ON/OFF (Alternate Frequencies)

User can rotate the Encoder Volume Knob to turn On / Off the AF (Alternate Frequencies) function. When AF in On mode, the unit will be searches for another station with stronger signal but with the same program identification as the current station automatically.

REG ON/OFF (Regional Radio)

User can rotate the Encoder Volume Knob to turn On / Off the Regional function.

[REG ON]: Only stations in the current region can be tuned to automatically.

[REG OFF]: All stations can be tuned to automatically.

AREA (TUNER FREQUENCY SPACING)

This option allows the selection of the frequency spacing appropriate for your area. "AREA U.S.A." is the default setting. Rotate the Encoder Volume Knob to select the U.S.A., EUR (Europe)

BEEP ON/OFF (Beep Tone)

The beep tone feature allows the selection of an audible beep tone to be heard each time a button is pressed on the face of the radio. "BEEP ON" is the default display. Rotate the Encoder Volume Knob (Press the volume up/down button) to select the "BEEP OFF" option.

INFO SYS (System Information)

Once into the System Information mode, press the Audio button to view the details system software informations of this unit.

8. ADJUST AUDIO SETTING

Press MENU button to access the Audio Menu. Once the desired menu item appears on the display, adjust that option by rotate the Encoder Volume Knob. The following menu items can be adjusted as described above.

BAS (Bass Level)

- User has 5 seconds to use the Encoder Volume Knob to adjust the desired Bass level range from -10 to +10.

TRE (Treble Level)

- User has 5 seconds to use the Encoder Volume Knob to adjust the desired Treble level range from -10 to +10.

BAL (Balance)

- User has 5 seconds to use the Encoder Volume Knob to adjust the Balance between the right and left speakers from 10R (full right) to 10L (full left). "C00" represents an equal balance between the right and left speakers.

FAD (Fader)

- User has 5 seconds to use the Encoder Volume Knob to adjust the Fader between the front and rear speakers from 10R (full rear) to 10F (full front). "C00" represents an equal balance between the front and rear speakers.

9. TUNER OPERATION

18) BAND BUTTON (BROWSE/BAND)

Press BROWSE/BAND button to change between FM bands and AM(MW)

20-21) TUNING UP/DOWN BUTTON (◀▶)

Manual Tuning

Hold & press the Up Tuning or Down Tuning button to move the radio frequency number up or down one step.

Auto Seek Tuning

Press the Up Tuning or Down Tuning button to move to next station automatically.

12-17) PRESET STATIONS BUTTONS

Six numbered preset buttons store and recall stations for each band.

Store a Station

Select a band (if needed), then select a station. Hold a preset button for 3 seconds. The preset number will appear in the display.

Recall a Station

Select a band (if needed). Press a preset button to select the corresponding stored station.

9) AUTOMATICALLY STORE / PRESET SCAN (AS)

Automatically Store

Automatically select 6 strong stations and store them in the current band. Select a band (if needed). Press AS button for more than three seconds. The new stations replace stations already stored in that band.

Preset Scan

Scan stations stored in the current band. Select a band (if needed). Press AS button for less than 3 seconds. The unit will pause for ten seconds at each preset station. Press AS button again to stop scanning when the desired station is reached.

STEREO

The unit will automatically pick up a stereo signal, when available. When in stereo mode, the ST icon appears in the display. When no stereo signal is available, the unit will automatically revert to mono operation, and no icon will be displayed.

11) LOCAL / DISTANCE SELECTOR

Short press the LO/DX button to select between Local or Distant model. This feature is used to designate the strength of the signals at which the radio will stop during automatic tuning. "Distance" is the default, allowing the radio to stop at a broader range of signals. To set the unit to select only strong local stations during automatic tuning, press this button until "Local" appears in the display.

10. RDS OPERATION

RDS functions

The unit is equipped with the following RDS function:

- AF Alternative Frequencies
- CT Clock Time
- PI Program identifications
- PS Program service name
- PTY Program Type
- TA Traffic Announcement
- TP Traffic program

1. TA Function

Hold & press the XBS/TA button to turn On the TA standby mode, the "TA" icon will be appear in the display. In the stand by mode, when a traffic announcement broadcast starts, the traffic announcement broadcast will be received as top priority regardless of the function mode. When a traffic announcement starts, "TRAFFIC INFO" will show on the LCD, press the TA button can cancelled the broadcast reception while a traffic announcement broadcast is being received. The unit will go back to the previous mode and TA goes into stand by mode again. When the TP icon is not light up for 60 seconds. A beep Alarm tone is heard and the LCD will show "Lost TP, TA". TA seek will automatic activate and searches to another TA station.

11. CD /MP3/WMA OPERATION

INSERT AND EJECT CD

Insert a CD label-side up with the unit turned on, and the disc will begin to play. Press the Eject button to stop CD play and eject the CD. The unit does not have to be turned on to eject the CD.

CD-DA OPERATION

M1) PAUSE BUTTON (PAUSE)

Press the PAUSE button to suspend disc play. Press the PAUSE button again to resume disc Play.

20-21) TRACK SELECT (⏮ ⏭)

Press the Up Tuning or Down Tuning button (⏮ ⏭) for less than one second to advance to the next track on the CD, The selected track number will appear on the display. Press and hold the Up Tuning or Down Tuning button (⏮ ⏭) for more than one second to fast forward or fast reverse through the disc. CD play starts when the button is released.

M2) INTRO BUTTON (INTRO)

During disc play, press INT (Intro) button to play the first 10 seconds to each track on the disc. When the desired track is reached, press INT (Intro) button again to end the scan and play the selected track.

M3) REPEAT BUTTON (REPEAT)

Press RPT (Repeat) button during disc play to continuously repeat the track. Press RPT (Repeat) button again to stop Repeating.

M4) RANDOM BUTTON (RDM)

Press RDM (Random) button during disc play to play all tracks on a CD in random, shuffled order. Press RDM (Random) again to stop random play.

MP3/WMA OPERATION

MP3 and WMA (Windows Media Audio) music files are audio compression format. This unit can play MP3/WMA directly from files contained on a CD-R/RW, USB Memory Stick, SD Card.

Notes on MP3/WMA Play

This unit can play MP3 (MPEG1, 2, 2.5 Audio Layer 3). However, the MP3 recording media and accepted formats are limited. When writing MP3/WMA, pay attention to the following restrictions.

Acceptable Medium Formats

The following formats are available for the media used in this unit. The maximum number of characters used for file name including the delimiter (".") and three-character extension are indicated in parentheses.

- ISO 9660 Level 1 (11 characters)
- ISO 9660 Level 2 (31 characters)
- Joliet (31 characters)
- Romeo (31 characters)

Up to 200 characters can be displayed in the long file name format. For a list of available characters, see the instruction manual of the writing software and the section "Entering File and Folder Names" below. The media reproducible on this unit has the following limitations:

- Maximum number of nested folders: 8
- Maximum number of files per disc: 2000
- Maximum number of files per media device: 2000
- Maximum number of folders per disc: 255

MP3/WMA written in the formats other than the above may not be successfully played and their file names or folder names may not be properly displayed.

MP3/WMA Encoder and CD Writer Settings

Use the following settings when compressing audio data in MP3 data with the MP3 encoder.

- Transfer bit rate : 32- 320 kbps
- Sampling frequency : 32,44.1,48 kHz(WMA) 16,22.05,24,32,44.1, 48kHz (MP3)

When using a CD writer to record MP3/WMA up to the maximum disc capacity, disable additional writing. For recording on an empty disc up to the maximum capacity at once, check disc at once.

Entering ID3 Tag

This unit supports ID3 tag versions 1.0 and 1.1.

Entering File and Folder Names

Names using the code list characters are the only file names and folder names that can be entered and displayed. Using any other character will cause the file and folder names to be displayed incorrectly. The unit recognizes and plays only files with the MP3/WMA extension.

NOTE ➤ ***A file name entered with characters not on the code list may not play correctly.***

Writing Files into a Media

When a media containing MP3/WMA data is loaded, the unit checks all data. If the media contains many folders or non-MP3/WMA files, MP3/WMA play will be delayed, it may take time for the unit to move to the next file, and searches may not be performed smoothly. Loading such a media may produce loud noise and cause damage to the speakers. ***Do not attempt to play a media containing a non-MP3/WMA file with the MP3/WMA extension or a media containing non MP3/WMA files.***

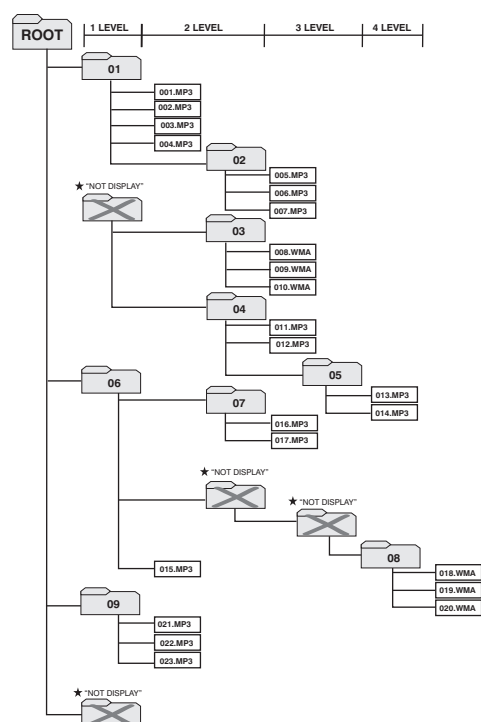
Bit Rates

The unit supports bit rates from 32 - 320 kbps.

Files Playing Order

When selected for play, Folder Search, File Search or Folder Select, files and folders are accessed in the order in which they were written by the PC writer. Because of this, the order in which they are expected to be played may not match the order in which they are actually played. For example, a media with the following folder/file hierarchy is subject to Folder Search, File Search or Folder Select as shown below.

- An outline of a Media with MP3/WMA is shown below. Subfolders are shown as folders in the folder currently selected.



- The equipment assigns folder numbers. The user can not assign folder numbers.
- ★ • It is not possible to check folders that do not include MP3/WMA files. (These folders will be skipped without displaying the folder number and name)

FILE/FOLDER PLAY

There are three different play methods as following:

File/Folder Intro play:

- Press M2 button more than 3 seconds during playing MP3/WMA disc for “intro play” all files of the current folder. Intro play should restart from the first song of the current folder, after all files in the current files have been intro-played.
To disable current folder “intro play”, long press M2 button more than 3 seconds
- Press M2 button less than 3 seconds is “intro play” all files on the disc. Intro play should restart at the very first file of the disc after all files in the disc has been intro played.
To disable all files “intro play”, press M2 button less than 3 seconds

File/Folder Repeat play :

- Press M3 button more than 3 seconds during playing MP3/WMA disc for “repeat play” all files of the current folder. And keep on repeat playing the current folder until “repeat play” is disabled.
To disable current folder “repeat play”, long press M3 button more than 3 seconds
- Press M3 button less than 3 seconds to “repeat play” the current file. And keep on repeat playing the current file until the “repeat play” is disabled.
To disable current file “repeat play”, press M3 button less than 3 seconds

File/Folder Random play:

- Press M4 button more than 3 seconds during playing MP3/WMA disc to “random play” all files of the current folder.
To disable current folder “random play”, long press M4 button more than 3 seconds
- Press M4 button less than 3 seconds is “random play” all files on the disc.
To disable all file “random play”, press M4 button less than 3 seconds.

Folder Up / Down Play

- Press M5 button less than 3 seconds to One Folder Down
- Press M6 button less than 3 seconds to One Folder Up

MP3/WMA File or Folder Search

Direct File Number Searching

Press BROWSE/BAND button. The LCD will display **PNUMBER**, and the **▶** will blink. Rotate the Encoder Volume Knob to select the desired track number, then press enter to confirm and play the selected file.

Folder / Files Navigate Searching

Press BROWSE/BAND button twice. The LCD will display **▶BROWSE▶**, and the **▶** will blink. Rotate the Encoder Volume Knob to navigate through all folders and sub-folders on the disc. The folder names will be displayed on the LCD. Press the select knob for more than three seconds to play the first file in the folder. Press the select knob for less than three seconds to access the sub-folders or files. Rotate the Encoder Volume Knob to navigate, then press the select knob to confirm and begin file play. During navigation search, press PS or rotate the Encoder Volume Knob counterclockwise to move back to the last upper level of a folder.

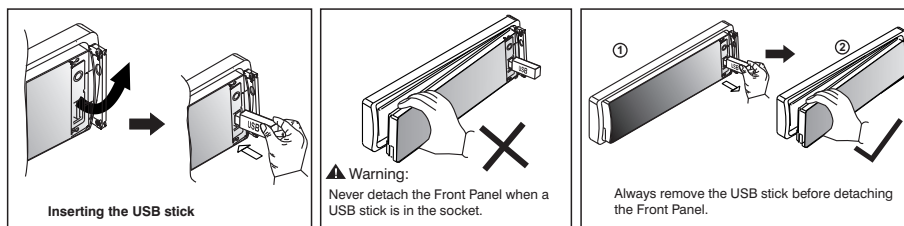
ID3 INFORMATION DISPLAY

If any MP3/WMA file recording with ID3 Tag information. The ID3 information such like Album title, Track title, Artist Title will be displayed and automatic scrolling through the LCD while the file is playing. User also allows pressing the INFO button repeatedly to view the ID3 tag information manually.

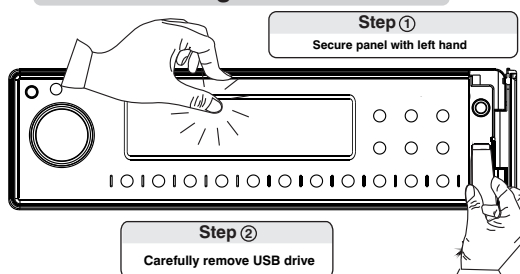
12. USB OPERATION

The unit can support USB Host Function. It can playback MP3 and WMA Audio format which are stored into USB Memory Stick or USB interface Music Player. Please read below before you start the operation of USB HOST Function.

Inserting and Removing USB Drive



Removing USB Drive



Mode change to USB HOST

Under any other mode while inserting a USB Stick into the front panel USB plug, the unit will automatically switch from present playing mode to USB Host mode. The unit will display **USB** for a while then starts **READ** the files contained on the USB Stick. Once the unit read the USB Stick successfully, the first audio music file on the USB stick Playback will Automatically start. Press Mode button repeatedly to change to other modes or switch back to USB HOST.

▲ WARNING:

Before remove the USB stick from the Front panel USB plug. Always remember to switch off the unit's power or switch to other mode then remove out the USB Stick. Never try removing the USB Stick while playing music file on the USB stick. It may damage the USB Stick and sometimes will caused the unit system lock up.

NOTE The unit can support playback Music Player which have USB Interface. However due to the fast changing decoder technology and different kind of hardware interface. This unit may or may not be compatible to all the Music Player and USB Stick especially those USB Stick / Player which require to install a program driver.

NOTE About Music Flash Player with USB Interface, Usually, the unit takes longer time to read this kind of player than normal USB Stick. Especially, if the Flash Player with built-in power battery sometimes takes 20-30 seconds to start up the playback

NOTE The unit is not compatible to playing any Portable Hard disk.

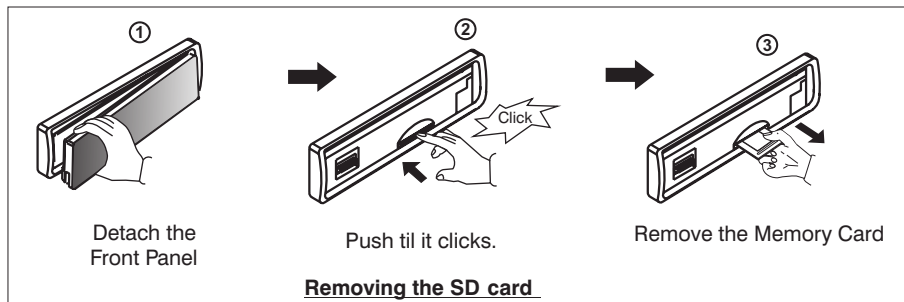
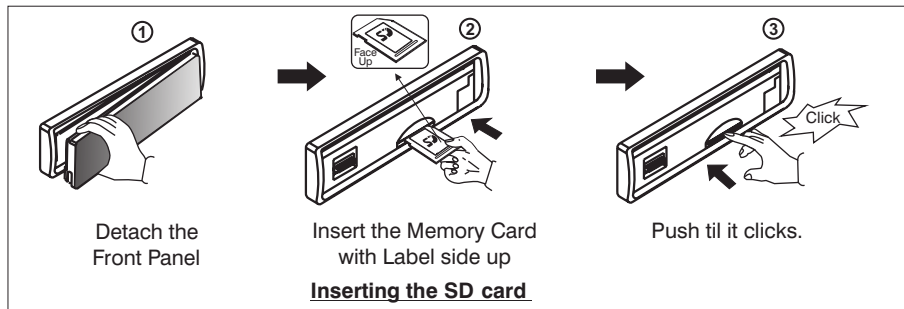
Music File Playback Operation

All the USB playback operation function is same as the operation on CD/MP3/WMA. Please refer to 'CD/MP3/WMA Operation' for more details.

13. MEMORY CARD OPERATION

The unit can support playback MP3 and WMA Audio format which are stored into SD Card. Please read below before you start the operation of Memory Card.

Inserting and Removing a SD card on the main unit



Mode change to SD Card

After an SD card is inserted into the main unit card slot, press the Mode button to select *SD CARD* mode. The unit will automatically playback files contained from the SD Card. Press Mode button repeatedly is allowing changing to other modes or switch back to SD Card mode.

NOTE ➤ If no SD Card is inserted into the main unit card slot. Pressing mode button will automatically skip SD CARD mode.

Music File Playback Operation

All the SD Card playback operation functions is same as the operation on CD/MP3/WMA. Please refer 'CD/MP3/WMA Operation' for more details.

14. iPod OPERATION

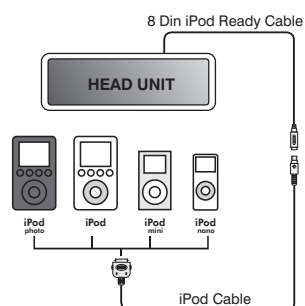
This unit is equipped with iPod Ready function which allow end user to have direct control of the iPod on the front panel control button and display iPod song information on the unit's LCD display. Please read below for more details operation.

iPod Compatibility Chart

This unit is support following iPod software version

iPod 1G	Not Supported
iPod 2G	Not Supported
iPod 3G	Firmware Version 2.2
iPod Mini	All versions
iPod 4G	All versions
iPod Photo	All versions
iPod Nano	Nano All versions(Can not support 3G Nano)
iPod 5G(Video)	All versions

Connect the iPod to this unit



About Video File

This unit is **NOT ABLE** to select any VIDEO FILE OR VIDEO ALBUM which contained in the iPod Video. This unit will only automatically select Music Album or File regardless the connected Video iPod last playing is a Video File or Album.

Turning iPod Power On and Off

The iPod power turns on automatically as soon as it is connected to the 30 Pin Connector and as long as the vehicle's ignition is turned ON. The iPod power can be turned OFF by removing the iPod from the 30 Pin Connector or if the vehicle's ignition is turned OFF. Under this condition the iPod will go into pause mode and goes into sleep mode about 2 minutes later

NOTE While the iPod is connected, the power cannot be turned on or off from the iPod itself.

Tips "OK to disconnect" to disconnect will be shown in the iPod's display while it is connected to the unit .

iPod Battery Charging

While connected to the unit, the iPod will automatically start re-charging as long as the vehicle's ignition key is turn to ACC or ON.

Switch to iPod Mode

When the Head unit is power on and iPod is connected to the 30 pin connector, press the Mode button to change to iPod Mode and the unit will display **IPOD** for a while then starts **READY** the music files contained in the iPod and the playback will automatically start. Press Mode button repeatedly to change to other modes or switch back to iPod mode.

iPod information Display on the Head Unit LCD

This unit can display the Song, Artist, Album name and Elapsed time on the LCD display, these information can be displayed by pressing the INFO button repeatedly while a iPod Song file is playing.

Searching a Desire Song

Under iPod playback mode, press BROWSE/BAND button to enter into the iPod Searching Mode. Pressing BROWSE/BAND button repeatedly to accesses the different searching methods as below :

- 1) **Playlist**
- 2) **Artist**
- 3) **Album**
- 4) **Song**
- 5) **Genre**

Once selected the desire searching method, within 10 second press the AUDIO button as confirm & access into the searching mode, then turn the rotate Encoder Volume Knob to navigate thru the Album or Artist or Song contained in the iPod. Press the AUDIO button to confirm & play the selected song. During the searching mode, press INFO as quick move back to the last upper level of Album, Playlist, Genre, etc.

Song Select

Press the Track UP (>>) or Track DOWN (<<) button for less than one second to skip to the next or previous song. Press and Hold Track UP (>>) or Track DOWN (<<) button for more than 3 seconds to fast forward or fast reverse of the current song.

Song Repeat

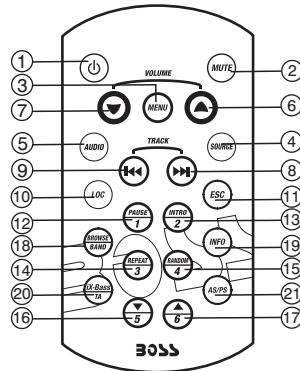
Press the M3 button for less than 3 seconds to "REPEAT PLAY" the current song. And keep on repeat playing the current song until the "REPEAT PLAY" function is disabled. To disable current song "REPEAT PLAY", press the M3 button less than 3 seconds.

Random Play: / Random Album

Long press the M4 button for more than 3 seconds during iPod playback mode to activate the "RANDOM ALBUM" function. This function allows RANDOM playback of all the albums contained on the iPod. To disable "RANDOM ALBUM" function, long press M4 button for more than 3 seconds.

Press the M4 button for less than 3 seconds during iPod playback mode to activate "RANDOM PLAY". This function allows the playback of all the songs in the iPod in random sequence. To disable "RANDOM PLAY", short press M4 button again for less than 3 seconds.

15. REMOTE FUNCTION



OPERATIONS:

KEY	SYSTEM		TUNER		CD/MP3/WMA		iPod	
	Short Press	Long Press	Short Press	Long Press	Short Press	Long Press	Short Press	Long Press
1	Power							
2	Mute							
3	Menu							
4	Source							
5	Audio							
6	Volume Up							
7	Volume Down							
8			Seek Up	Tune Up	Track/File Up	Fast Forward	File Up	Fast Forward
9			Seek Down	Tune Down	Track/File Down	Fast Backward	File Down	Fast Backward
10			Loc					
11			ESC					
12			M1	Memory 1	Pause /Play		Pause /Play	
13			M2	Memory 2	Intro	Folder Intro		
14			M3	Memory 3	Repeat	Folder Repeat	Repeat	Album Repeat
15			M4	Memory 4	Random	Folder Rando m	Shuffle	Album Shuffle
16			M5	Memory 5	Folder Down			
17			M6	Memory 6	Folder Up			
18			Band		File Browse		iPod informati on	
19			Info		Info		iPod Info	
20	ix-Bass			TA				
21			PS	AS				

16. SPECIFICATIONS

CD PLAYER

System	Compact disc audio system
Usable disc	Compact disc
Sampling frequency	44.1KHz
No of quantization bits	1bit
Frequency	5-20,000Hz
Number of channels	2 stereo
S/N Ratio	70dB

MEDIA SECTION

USB Host Host 1.1 compatibles 2.0

Memory Card

Support Type of Memory Card SD

RADIO SECTION

FM

Frequency Range	87.5-107.9MHz U.S. 87.5-108MHz EURO
Intermediate Frequency	10.7 MHz
Usable Sensitivity	Better than 15dB at S/N 30 dB
Stereo Separation	25 dB at 1KHz
S/N Ratio	50 dB

AM/MW

Frequency Range	530-1710KHz U.S. 522-1620KHz EURO
Intermediate Frequency	450KHz
Usable Sensitivity	Better than 45dB
S/N Ratio	40 dB

GENERAL

Power Supply	DC 11 -14V
Polarity	Negative Ground
Speaker impedance	4 ohms
Power Output	4 x 80W

REMARK :

Specifications subject to change without notice.

17. TROUBLE SHOOTING

Before going through the check list, check wiring connection. If any of the problems persist after check list has been made, consult your nearest service dealer.

Symptom	Cause	Solution
No power	The car ignition is not on.	If the power supply is properly connected to the car accessory terminal, switch the ignition key to "ACC"
	The fuse is blown.	Replace the fuse.
Disc cannot be loaded or ejected	Presence of CD disc inside the player.	Remove the disc in the player, then put a new one.
	Inserting the disc in reverse direction.	Insert the compact disc with the label facing upward.
	Compact disc is extremely dirty or defective disc.	Clean the disc or try to play a new one.
	Temperature inside the car is too high.	Cool off or until the ambient temperature returns to normal.
	Condensation.	Leave the player to off for an hour or so, then try again.
No sound	Volume is in minimum.	Adjust volume to a desired level.
	Wiring is not properly connected.	Check wiring connection.
The operation keys do not work	The built-in microcomputer is not operating properly due to noise.	Press the RESET button. Front panel is not properly fixed into its place
Sound skips.	The installation angle is more than 30 degrees.	Adjust the installation angle to less than 30 degrees.
	The disc is extremely dirty or a defective disc.	Clean the compact disc or try to play a new one.
The radio does not work. The radio station automatic selection does not work.	The antenna cable is not connected.	Insert the antenna cable firmly.
	The signals are too weak.	Select a station manually.
ERROR 1	Mechanism Error	Press the reset button to correct the problem. If the error code does not disappear, consult your nearest service dealer.
Read Error	The Media Device not able to play file by the unit	Replace the Media Device or
No File	No file Format supports for Playback on the disc or Media Device	Replace the disc or Media Device..
Disc Error	Maybe disc dirty / disc scratched /disc upside down.	Replace the disc.



If at any time in the future you should need to dispose of this product please note that Waste electrical products should not be disposed of with household waste. Please recycle where facilities exist. Check with your Local Authority or retailer for recycling advice.(Waste Electrical and Electronic Equipment Directive)

Free Manuals Download Website

<http://myh66.com>

<http://usermanuals.us>

<http://www.somanuals.com>

<http://www.4manuals.cc>

<http://www.manual-lib.com>

<http://www.404manual.com>

<http://www.luxmanual.com>

<http://aubethermostatmanual.com>

Golf course search by state

<http://golfingnear.com>

Email search by domain

<http://emailbydomain.com>

Auto manuals search

<http://auto.somanuals.com>

TV manuals search

<http://tv.somanuals.com>