

# User's Manual

## HS-IR

**WIRELESS INFRARED AUDIO  
HEADPHONE SYSTEM  
WITH TWO HEADPHONES  
AND TRANSMITTER**

## HP10

**WIRELESS INFRARED  
HEADPHONES**

### HS-1R

**WIRELESS INFRARED AUDIO  
HEADPHONE SYSTEM  
WITH TWO HEADPHONES AND TRANSMITTER**

### HS-1R

**WIRELESS INFRARED HEADPHONES**

03.2011



tech support: [www.bossaudio.com/support](http://www.bossaudio.com/support)

**BOSS**<sup>®</sup>  
AUDIO SYSTEMS

BOSS Audio Systems  
3451 Lunar Court • Oxnard, CA 93030

[www.bossaudio.com](http://www.bossaudio.com)

800.999.1236

**BOSS**<sup>®</sup>  
AUDIO SYSTEMS



## HS-IR


*Wireless Infrared Headphone System  
(Two Headphones and Transmitter)*

## HP-10

*Wireless Headphones  
(for use with BOSS HS-IR and  
BOSS Monitors with Infrared  
Audio Transmission)*

### **Congratulations on your purchase of a wireless infrared headphone system.**

It has been designed, engineered and manufactured to bring you the highest level of performance and quality, and will afford you years of listening pleasure.

Thank you for making  your choice in car audio and video entertainment!

## USER'S MANUAL

page	CONTENTS
2	General precautions
2	Safety precautions
2	Installation precautions
2	What is included?
3	Headphone controls and features
4	HS-IR features
5	System wiring: HS-IR transmitter
6	Headphone battery replacement
7	Using HP-10 with a monitor with built-in IR audio transmitter
8	Troubleshooting
8	Specifications

## General precautions

Please read this manual completely and carefully prior to attempting to install your new **BOSS** mobile audio/video equipment. Installed correctly, your **BOSS** equipment will provide you with years of enjoyable and safe usage.

Installation of this equipment in any portion of a vehicle which impairs or distracts the driver is improper and dangerous. **BOSS** assumes no liability whatsoever for failure to follow the proper installation of this product.

Please keep this manual in a safe place for future reference.

## Safety precautions

- Do not operate this equipment while driving – safe driving should always be your highest priority.
- Do not open or attempt to repair this unit yourself. Dangerous high voltages may be present which may result in electric shock. Refer any repairs to a qualified service technician.
- Do not attempt to repair a damaged, broken or faulty power cord. Replace it with a new one immediately.
- If there is smoke or any peculiar odor present during use or if there is damage to any of the component enclosures, immediately unplug the power cord and send the monitor to your local dealer or service center as soon as possible.

## Installation precautions

Do not install components in areas which are susceptible to rain, moisture, direct sunlight, extreme heat or cold, excessive dust, dirt or humidity.

Use only the installation parts and hardware provided with the unit to ensure proper installation. Using other parts can cause malfunction and possible damage to your **BOSS** headphone system.

Use only a power source with 12 Volts DC (negative ground).

Before final installation, temporarily connect the wiring according to the diagram near the end of this manual, check it to ensure that it has been connected properly, and test the unit to make sure it is working correctly.

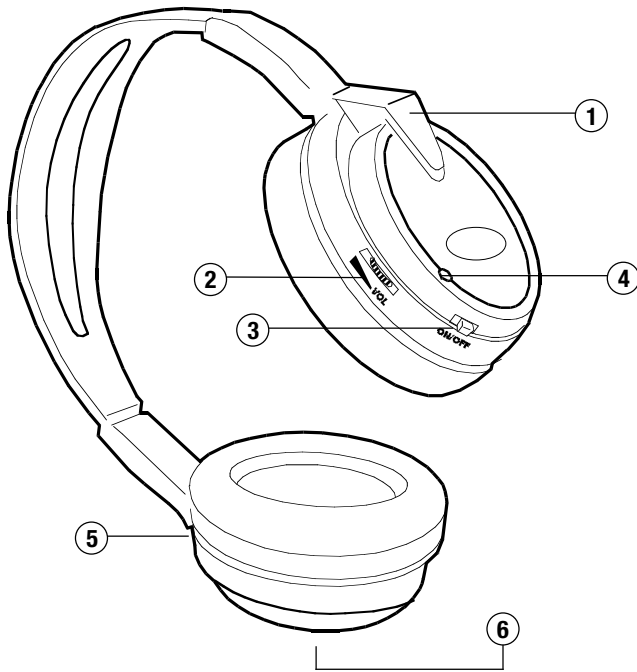
## What is included?

The HS-IR wireless infrared audio system includes:

- **Wireless audio transmitter**
- **(2) wireless headphones**

The HP10 is an **additional set of wireless headphones** for use with the HS-IR system or **BOSS** monitors with wireless infrared audio transmission capability.

# HS-IR and HP10 Headphone Controls and Features



**① ⑤ IR SENSORS**

**② VOLUME CONTROL KNOB**

**③ POWER ON/OFF SWITCH**

This button turns the headphone on and off.

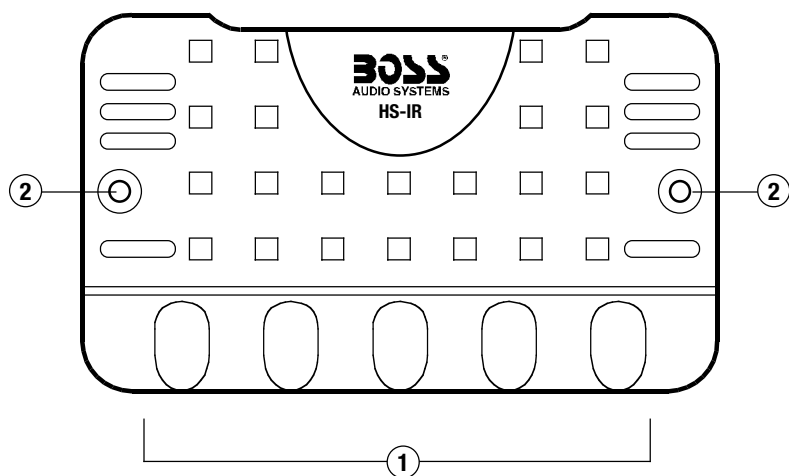
In addition, if headphones do not receive any infrared audio signal after a short period of time, they will shut off automatically to conserve battery life.

**④ POWER LED**

**⑥ BATTERY COVER**

See the section of this manual about battery replacement for more details.

## HS-IR Transmitter Features



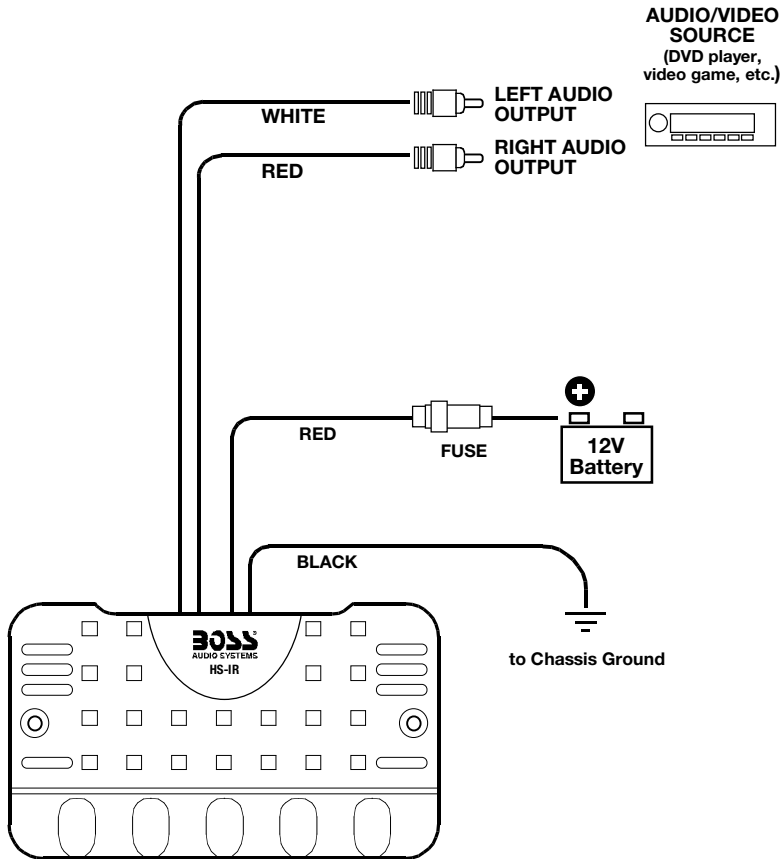
① IR EMITTERS (AUDIO TRANSMITTERS)

② MOUNTING HOLE

## System wiring: HS-IR Transmitter

Using the wires provided, complete the audio, and power connections in your vehicle as shown in the diagram below.

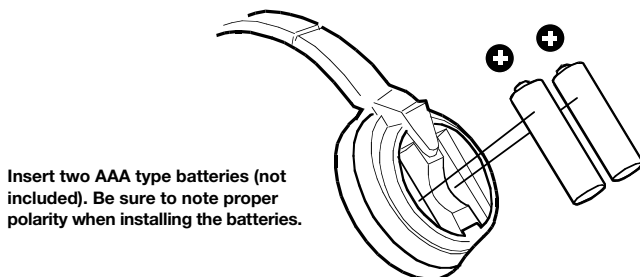
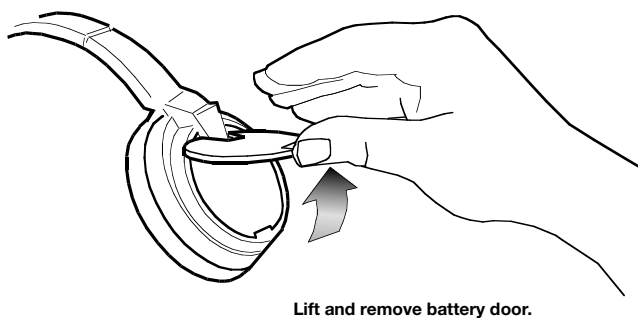
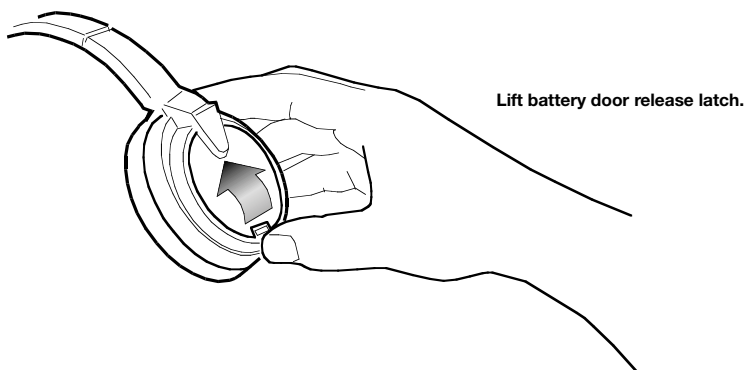
Be sure to locate the transmitter in a location and position within direct line-of-sight of the location in the vehicle you plan to have passengers wearing headphones.



## Installing or replacing headphone batteries

The wireless headphones use (2) AAA batteries (not included), which are located in one of the earphone housings.

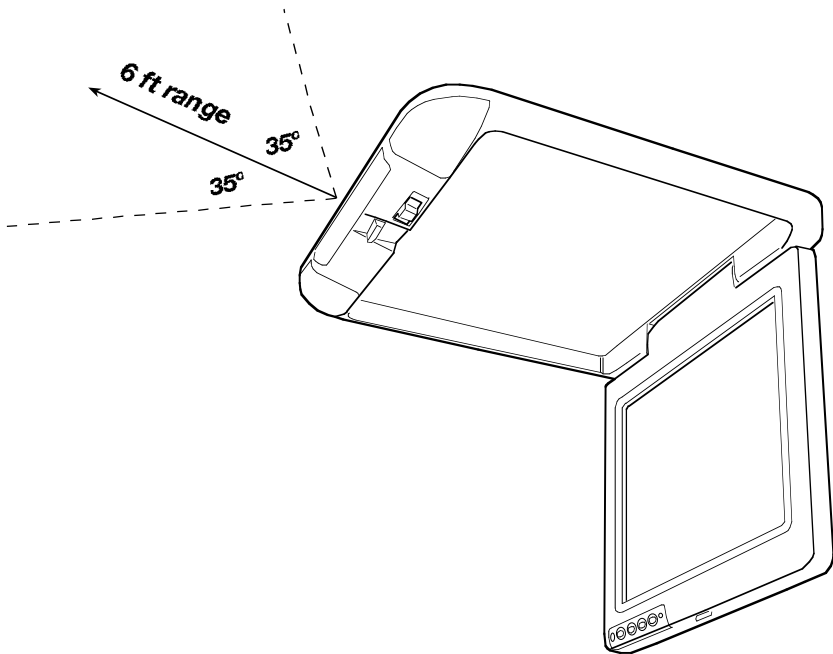
To replace the batteries, follow the diagrams below. To conserve battery life, please be sure to turn off the headphones whenever they are not in use, even though they will turn off after a short period of interrupted IR reception. If you expect the headphones to be unused for several days, remove and store the batteries.



## Using the HP10 headphones with a Boss Monitor

Several **BOSS** AUDIO SYSTEMS video monitors include a wireless infrared transmitter. The transmitter sends a high-quality stereo signal which can be received by the HP10 wireless infrared headphones.

The infrared signal is emitted from the large dark lens on the front of the monitor console. Best sound will be obtained if you sit directly in front of the monitor within about six feet. If you choose to sit to one side of the monitor, you can expect good reception within 35° to the right or left of the monitor.





## Troubleshooting

If you experience operation or performance problems with this product, compare your installation with the electrical wiring diagram on the previous page. If problems persist, read the following troubleshooting tips which may help eliminate the problems.

SYMPTOM	CAUSE	REMEDY
<b>No audio present in headphones.</b>	Power cord is not properly connected.	<i>Check that power connections are properly made and all fuses are in functioning condition.</i>
	Audio input cables not properly connected.	<i>Check all cables.</i>
	Audio input source is not operating properly.	<i>Replace or repair A/V source (DVD player, video game, etc.)</i>
	Batteries are dead.	<i>Replace headphone batteries.</i>
<b>Sound is of poor quality or has interruptions and dropouts.</b>	Headphone is not being used in direct line-of-sight with the player or remote IR sensor. Transmission is best within 6 feet/35° angle of IR sensor on the monitor.	<i>Move to a better location. If this is not possible, consider a more suitable location for the transmitter.</i>

## Specifications



MODEL	<b>HP10</b> <i>Wireless Headphones</i> <b>HS-IR</b> <i>Wireless Headphones with IR Audio Transmitter</i>
<b>Transmission system</b>	Infrared light
<b>Carrier frequency</b>	2.3 MHz (left channel), 2.8MHz (right channel)
<b>Modulation</b>	FM
<b>Mode</b>	Stereo
<b>S/N ratio</b>	greater than 60 dB
<b>Channel separation</b>	greater than 40 dB
<b>Distortion</b>	les than 1%
<b>Frequency response</b>	30Hz - 20kHz
<b>Power source, headphones</b>	(2) x AAA batteries
<b>Current consumption, headphones</b>	25 mA max (during play) / 15mA (muted)

*All specifications subject to change without notice.*

## Free Manuals Download Website

<http://myh66.com>

<http://usermanuals.us>

<http://www.somanuals.com>

<http://www.4manuals.cc>

<http://www.manual-lib.com>

<http://www.404manual.com>

<http://www.luxmanual.com>

<http://aubethermostatmanual.com>

Golf course search by state

<http://golfingnear.com>

Email search by domain

<http://emailbydomain.com>

Auto manuals search

<http://auto.somanuals.com>

TV manuals search

<http://tv.somanuals.com>