

# User's Manual

## 612UA

**MP3-COMPATIBLE DIGITAL  
MEDIA AM/FM RECEIVER  
WITH USB AND SD MEMORY CARD PORTS  
AND FRONT PANEL AUX INPUT**



### 612UA

**MP3-COMPATIBLE  
DIGITAL MEDIA AM/FM RECEIVER  
WITH USB AND SD MEMORY CARD PORTS AND  
AND FRONT PANEL AUX INPUT**

04.2011



iPod is a trademark of Apple, Inc.  
registered in the U.S. and other countries.

**tech support: [www.bosssaudio.com/support](http://www.bosssaudio.com/support)**

**BOSS**<sup>®</sup>  
AUDIO SYSTEMS

BOSS Audio Systems  
3451 Lunar Court Oxnard, CA 93030

[www.bosssaudio.com](http://www.bosssaudio.com)

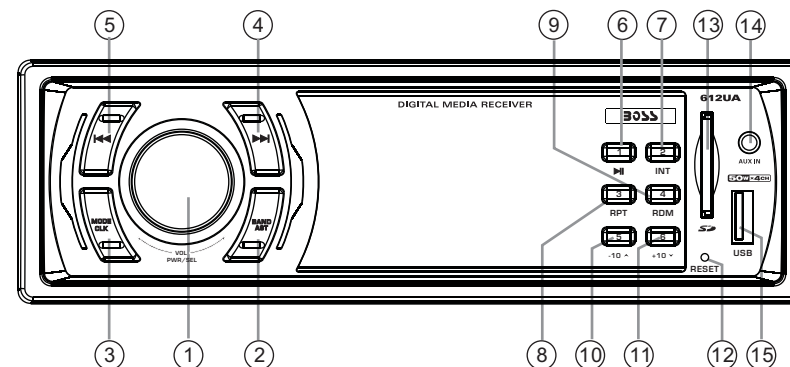
**800.999.1236**

**BOSS**<sup>®</sup>  
AUDIO SYSTEMS

BOSS Audio Systems is not affiliated with Apple, Inc.

Downloaded from [www.manuals.com](http://www.manuals.com). All Manuals Search And Download.

## Panel Function



1. PWR/SEL/VOL (power/mode select/volume button)
2. BAND/AST (band switch/station auto scan & store)
3. MODE/CLOCK (mode shift/clock time display & setup)
4. ►► STATION SCANNING/REWIND/TURN UP
5. ◀◀ STATION SCANNING/REWIND/TURN DOWN
6. Number button 1 / ►|| (play/pause)
7. Number button 2 / INT (track browse & playback)
8. Number button 3 / RPT (repeat playback)
9. Number button 4 / RDM (random playback)
10. 5 / -10 ^ button
11. 6 / +10 v button
12. Reset (system reset) button
13. SD
14. AUX
15. USB

# INSTRUCTIONS

---

## 1. PWR/SEL/VOL (power/mode select/volume button)

After the unit gets connected to the power supply, short press the button to turn the unit on, long press it to turn the unit off. Repeatedly short press SEL button to select your desired mode in the following sequence:

VOL→BASS→TRE→BAL→FAD→LOUD→EQ→ST→BEEP→AREA

(USA: America/EUR: Europe)

Work with VOL button, rotate it to make adjustment.

Rotate the button to adjust the volume level, the change value of volume level shall be displayed on LCD screen.

## 2. BAND/AST (band switch/station auto scan & store)

Under radio status, press the button to shift band cyclically as shown below, the actual shift is the standard.

① Fm1→Fm2→Fm3→Am1→Am2→Fm1;

② Fm1→Fm2→Fm3→Mw1→Mw2→Fm1;

Hold AST button for 3 seconds to automatically scan station in the whole band and store station. Press the number button to listen to stored stations.

During reading a card, long press the button to display TRK SCH to search for track. Work with VOL+/- to make adjustment and press SEL for confirmation.

If no adjustment is made within 3 seconds, system automatically skips from units to tens and hundreds. During adjustment, press BND to move back to the previous digit level. Short press this button to browse ID3 information.

## 3. MODE/CLOCK (mode shift/clock time display & setup)

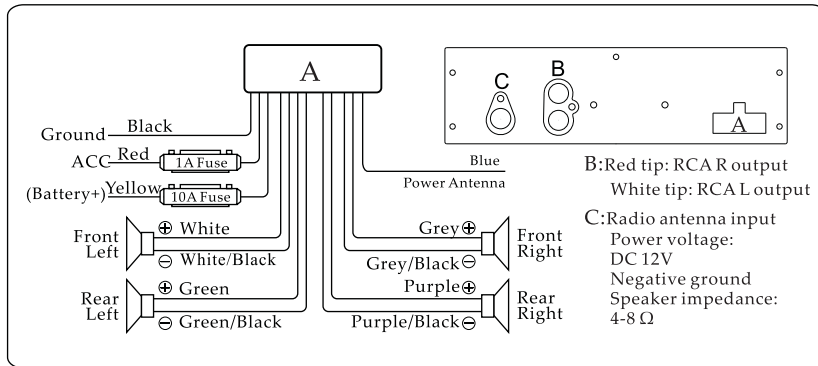
When the power is on, each time the button is pressed, the mode switches between RADIO/USB/SD(MMC)/AUX.

**Note:** When there is no USB/SD card connected to the unit, system shall automatically skip the unconnected modes.

Setting the clock:

Press and hold the MODE/CLK until the clock appears. Press and hold the MODE/CLK until the clock starts to blink. Using the volume knob set the hour, then press the volume knob to set the minutes.

## WIRING DIAGRAM



## 4. ►► STATION SCANNING/REWIND/TURN UP

In radio mode, short press the button to automatically scan station downward, long press the button to scan station downward manually. In playback mode, short press the button to select song downward, long press the button to perform fast forward playback.

## 5. ◀◀ STATION SCANNING/REWIND/TURN DOWN

In radio mode, short press the button to automatically scan station upward, long press the button to scan station upward manually. In playback mode, short press the button to select song upward, long press the button to perform fast backward playback.

## 6. Number button 1 / ► (play/pause)

Press the button to switch between play and pause.

## 7. Number button 2 / INT (track browse & playback)

Under FM radio status, short press the button to get into the corresponding stored radio channels; under AM radio status, short press the button to get into the corresponding stored channels. After searching for a station manually, hold the button for 2 seconds to save the station in the number button 2's position. Browse & playback: Under USB playback status, press the button to browse and play the previous 10 songs, each for 10 seconds, repress it to cancel browsing and playback.

## 8. Number button 3 / RPT (repeat playback)

Under FM radio status, short press the button to get into the corresponding stored radio channels; under AM radio status, short press the button to get into the corresponding stored channels. After searching for a station manually, hold the button for 2 seconds to save the station in the number button 3's position. Repeat playback: Under USB playback status, press the button to repeatedly play the current song, repress it to cancel repeat playback.

## 9. Number button 4 / RDM (random playback)

Under FM radio status, short press the button to get into the corresponding stored radio channels; under AM radio status, short press the button to get into the corresponding stored channels. After searching for a station manually, hold the button for 2 seconds to save the station in the number button 4's position. Random playback: Under USB playback status, press the button to play songs in the disc randomly, repress it to cancel random playback.



## 10. Long press **5**/**-10** **^** to select the previous folder short press to play the -10 song

Under FM radio status, short press the button to get into the corresponding stored radio channels; under AM radio status, short press the button to get into the corresponding stored channels. After searching for a station manually, hold the button for 2 seconds to save the station in the number button 5's position.

Under USB playback status, press the button to select the -10 song cyclically. Long press the button to select the previous folder.

## 11. Long press **6**/**+10** **v** to select the previous folder short press to play the +10 song

Under FM radio status, short press the button to get into the corresponding stored radio channels; under AM radio status, short press the button to get into the corresponding stored channels. After searching for a station manually, hold the button for 2 seconds to save the station in the number button 6's position.

Under USB playback status, press the button to select the +10 song cyclically. Long press the button to select the next folder.

## 12. Reset (system reset)

If the unit crashes or has a low response, or if some other abnormal conditions occur, press the button to resume system default settings; the times, channels and breakpoint memories stored before are all canceled.

## 13. SD

SD/MMC CARD SLOT

## 14. AUX

External audio input socket

## 15. USB

USB slot

## Comprehensive Functions

1. There are 18 FM stations and 12 AM stations pre-stored in the unit (6 stations each on the FM1/FM2/FM3/AM1/AM2 band).
2. Excellent anti-interference electronic tuning radio system
3. In FM stereo status, the stereo indicators lights up.
4. EDC system

## Performance Figure

### FM Band

Frequency Range: 87.5~107.9MHz

FM Mid Frequency: 10.7MHz  $\pm$  0.1MHz

FM Stereo SNR:  $\geq$  55dB

FM Stop Sensitivity:  $\leq$  20dB

FM Stereo Indicator On Sensitivity:  $\leq$  20dB

FM Stereo Separation:  $\geq$  32dB

FM Harmonic Distortion:  $\leq$  1%

### AM Band

Frequency Range: 530~1710MHz

AM SNR:  $\geq$  45dB

AM AUTO SEEK SENS:  $\leq$  30dB

AM Distortion:  $\leq$  3%

Rated Voltage: 12V

Output Power: 4 \* 50W

Output Impedance: 4~8 $\Omega$

## Free Manuals Download Website

<http://myh66.com>

<http://usermanuals.us>

<http://www.somanuals.com>

<http://www.4manuals.cc>

<http://www.manual-lib.com>

<http://www.404manual.com>

<http://www.luxmanual.com>

<http://aubethermostatmanual.com>

Golf course search by state

<http://golfingnear.com>

Email search by domain

<http://emailbydomain.com>

Auto manuals search

<http://auto.somanuals.com>

TV manuals search

<http://tv.somanuals.com>