

# **Boss Audio System**

# **SERVICE MANUAL**

**MODEL NO. 14.1 FLIP**

## **CONTENTS**

SPECIFICATION.....	1
BLOCK DIAGRAM.....	2
SCHEMATIC DIAGRAM.....	3-12
EXPLODED VIEW.....	13-14

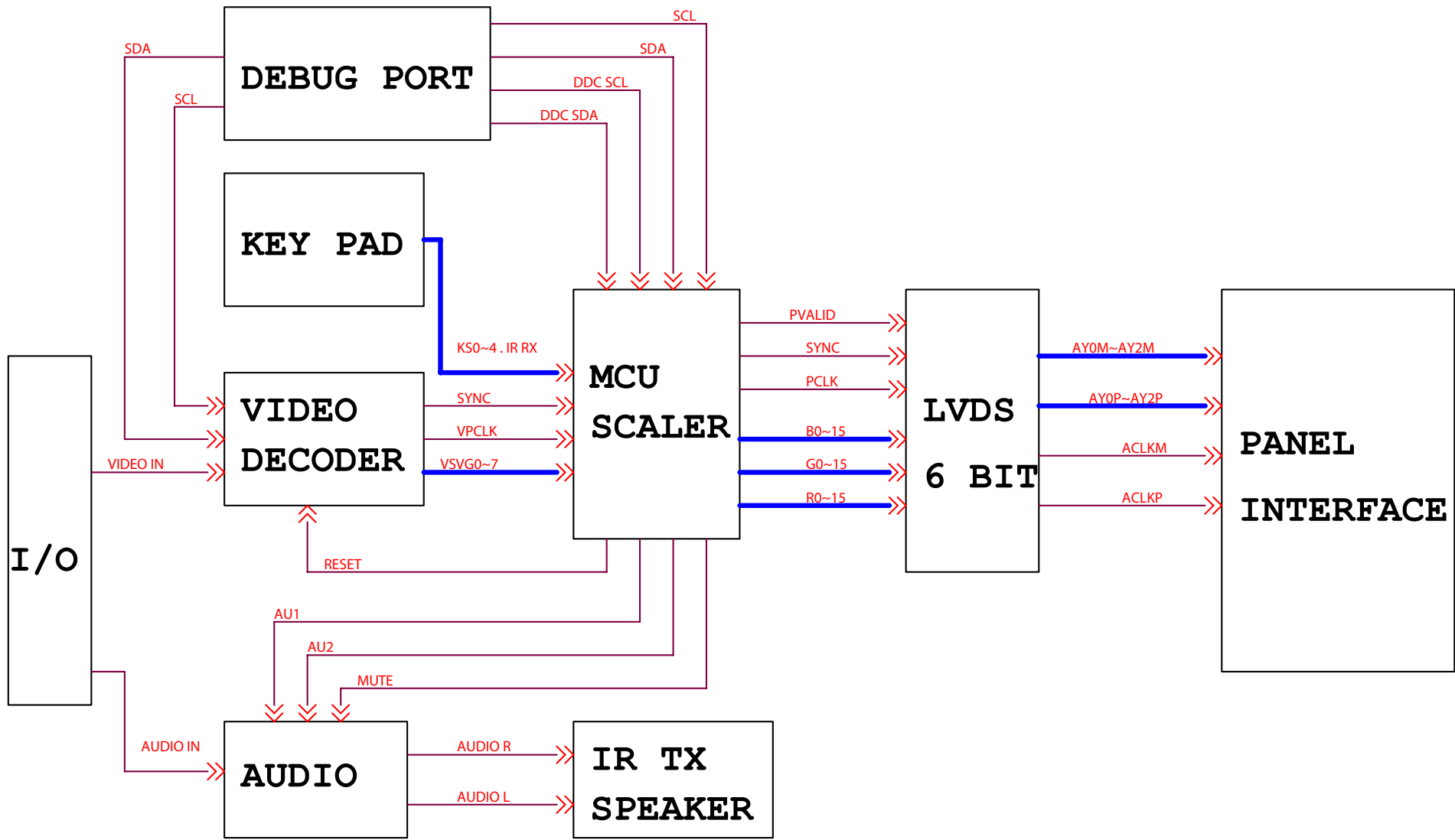
APPROVED BY

CHECK BY:

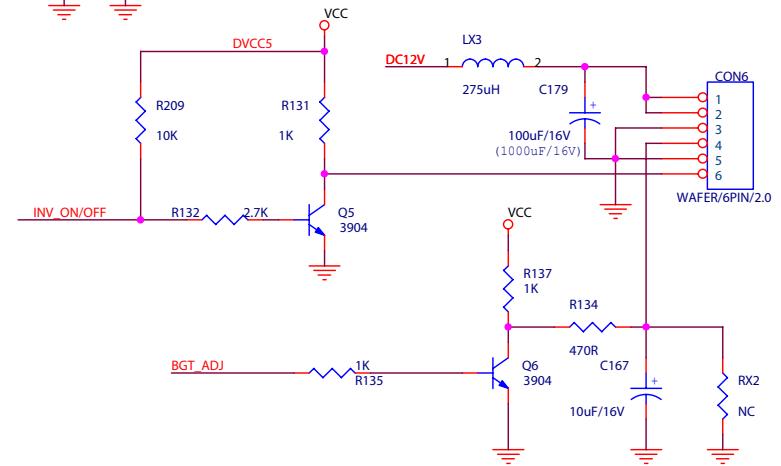
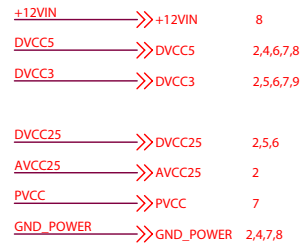
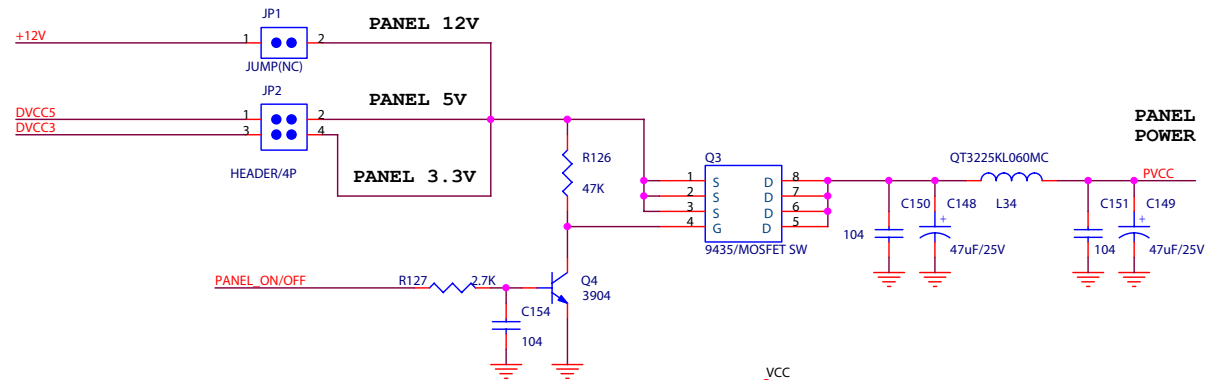
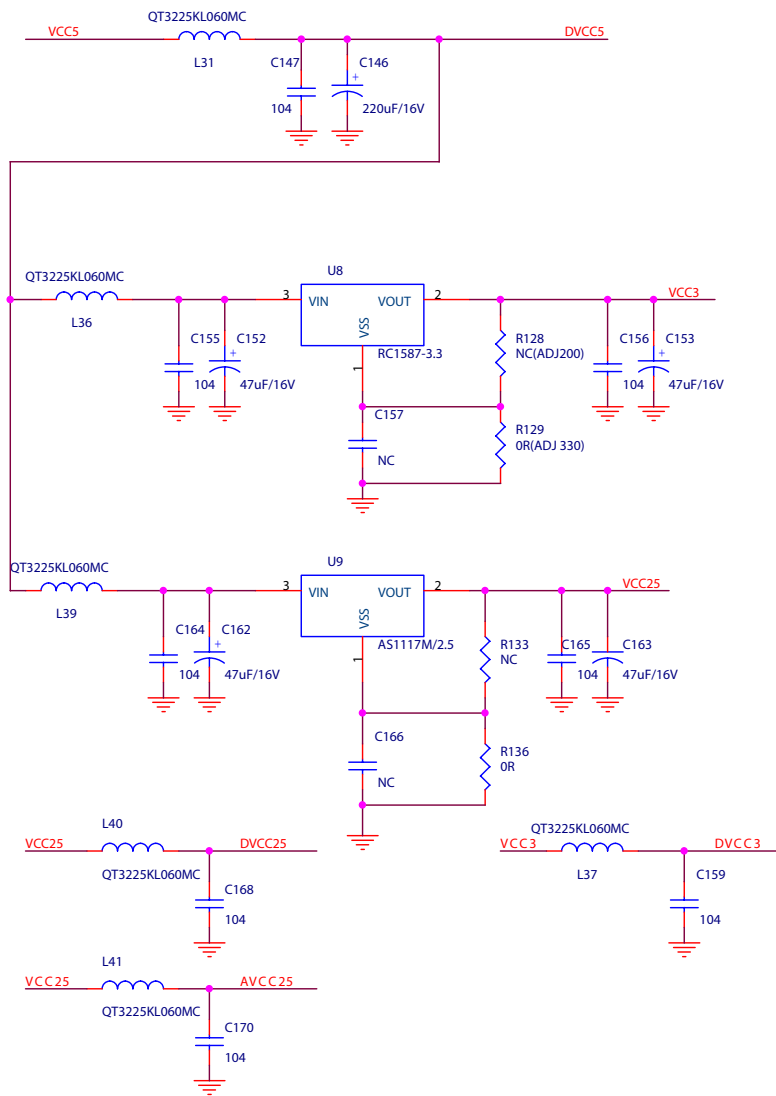
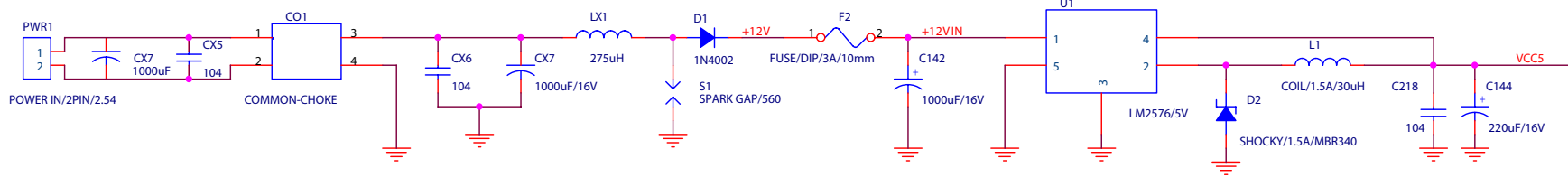
ISSUED BY:

## SPECIFICATION

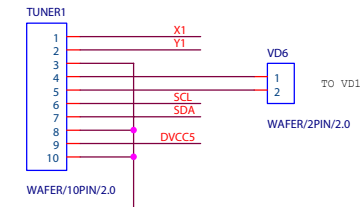
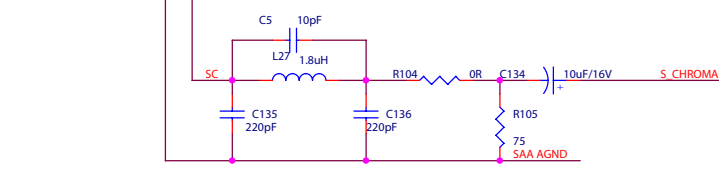
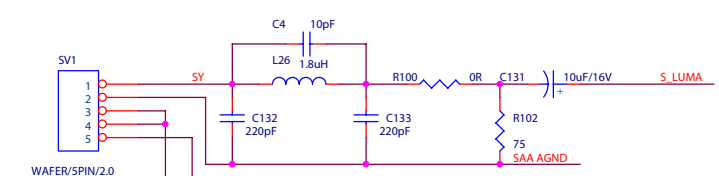
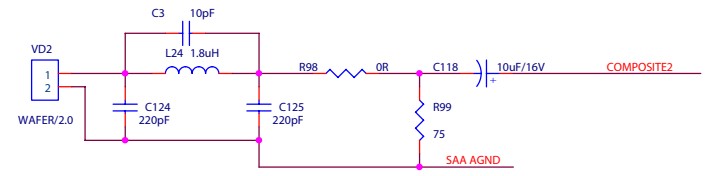
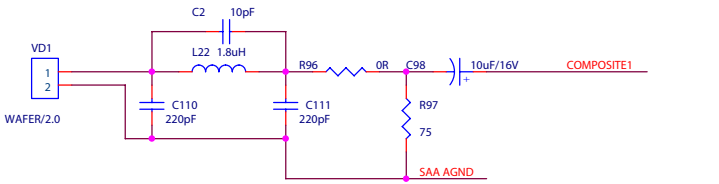
Type	14.1" Roof Mount Color Display Monitor
Signal Input	Video : Composite sync. System : NTSC, PAL, SECAM Audio : 1.0Vp-p
Display System	Active Matrix High Resolution TFT-LCD Monitor
Environment	Operating Temperature : 0 C~35 C Storage Temperature : -20 C~ 60 C Humidity : 20% ~ 90%



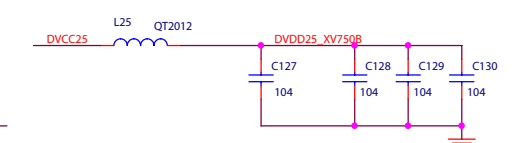
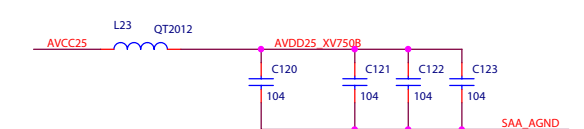
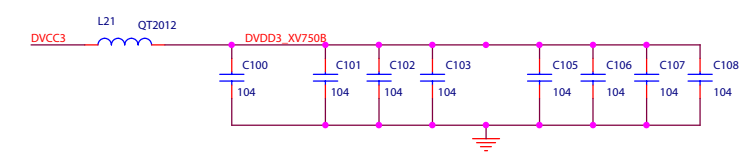
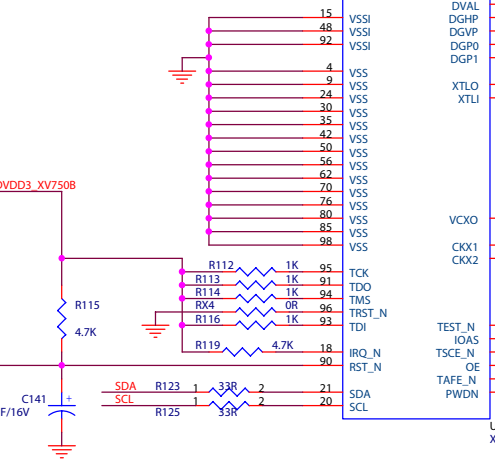
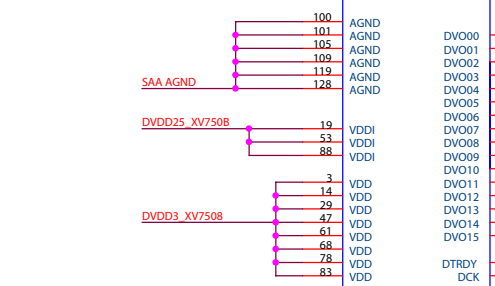
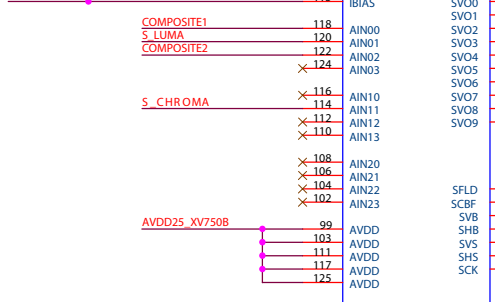
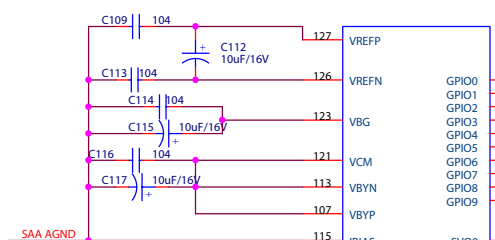
Title		
Size	Document Number	Rev
Date: Tuesday, August 05, 2003		
Sheet 1 of 1		



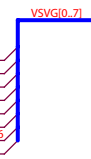
Title		POWER	
Size	Document Number	Rev B	
Custom			
Date:	Friday, August 08, 2003	Sheet	1 of 9



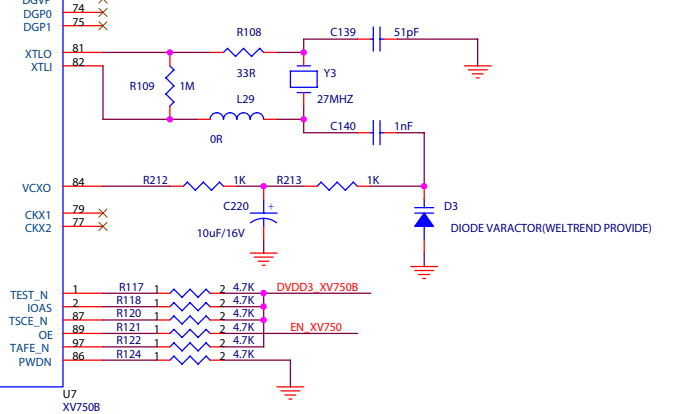
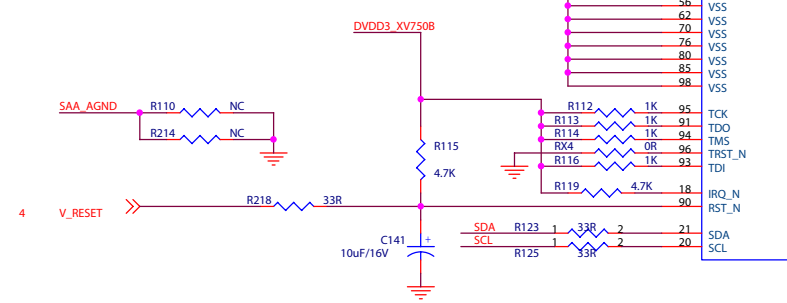
- 1,4,6,7,8 DVCC5 >> DVCC5
- 1,5,6,7,9 DVCC3 >> DVCC3
- 1,5,6 DVCC25 >> DVCC25
- 1 AVCC25 >> AVCC25
- 4,6 SCL >> SCL
- 4,6 SDA >> SDA
- 4 EN\_XV750 >> EN\_XV750



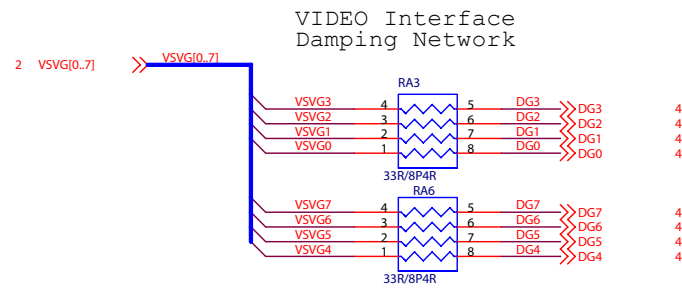
- GPIO0 5
- GPIO1 6
- GPIO2 7
- GPIO3 8
- GPIO4 10
- GPIO5 11
- GPIO6 12
- GPIO7 13
- GPIO8 16
- GPIO9 17
- SV00 22
- SV01 23
- SV02 25
- SV03 26
- SV04 27
- SV05 28
- SV06 31
- SV07 32
- SV08 33
- SV09 34
- SFLD 36
- SCFB 37
- SVB 38
- SHB 39
- SVS 40
- SHS 41
- SCK 49
- DVO00 43
- DVO01 44
- DVO02 45
- DVO03 46
- DVO04 51
- DVO05 52
- DVO06 54
- DVO07 55
- DVO08 57
- DVO09 58
- DVO10 59
- DVO11 60
- DVO12 63
- DVO13 64
- DVO14 65
- DVO15 66
- DTRDY 67
- DCK 69
- DVAL 71
- DGHP 72
- DGVP 73
- DGP0 74
- DGP1 75
- XTLO 81
- XTLI 82
- VCXO 84
- CKX1 79
- CKX2 77
- TEST\_N 1
- IOAS 2
- TSCE\_N 87
- OE 89
- TAFE\_N 97
- PWDN 86
- U7 XV7508



- VSVG0\_71 >> VSVG0\_71 3
- VPCLK >> VPCLK 4
- VHSYNC >> VHSYNC 4
- VVSYNC >> VVSYNC 4
- X1 >> X1 8
- Y1 >> Y1 8
- GND\_POWER >> GND\_POWER 4,7,8

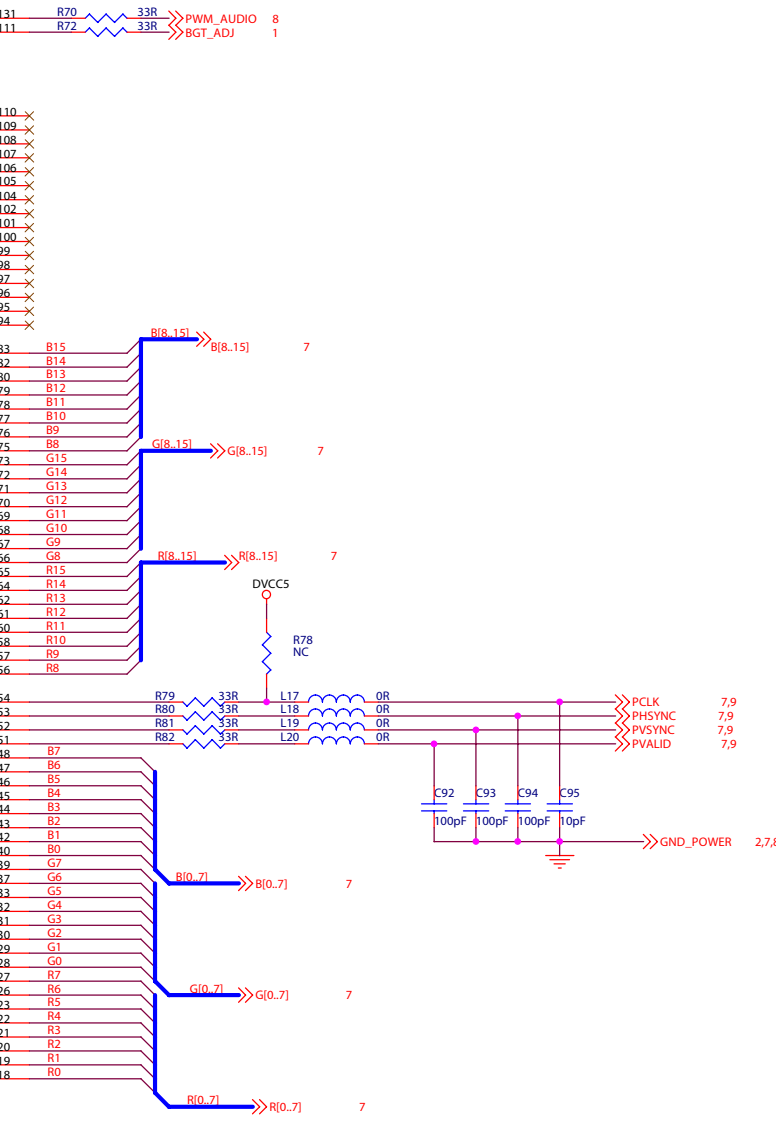
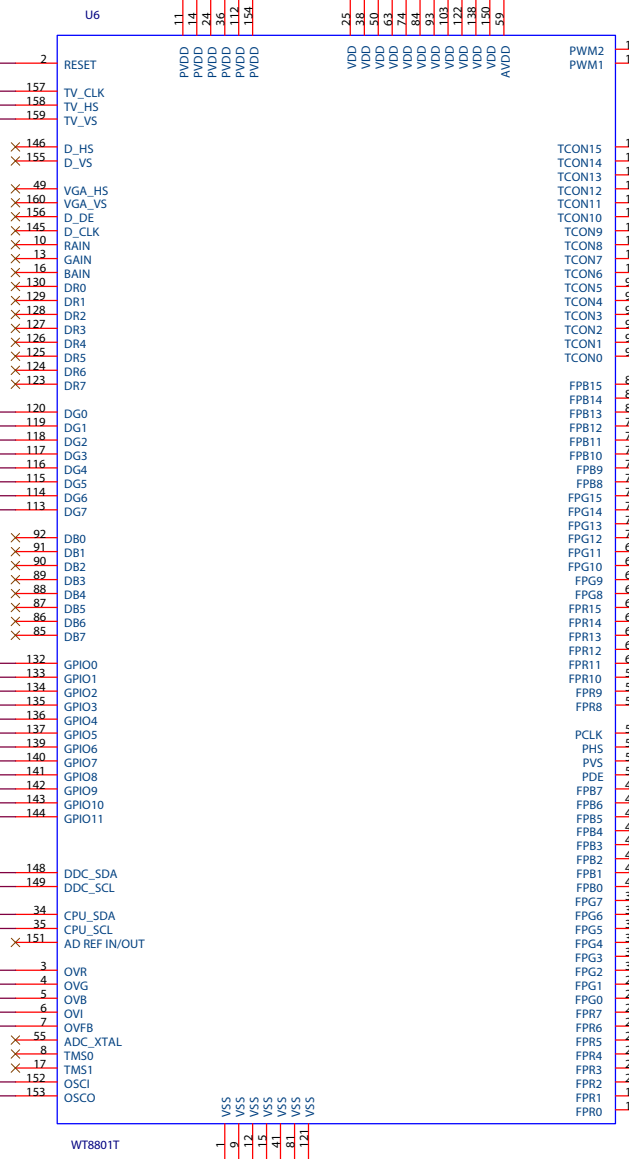
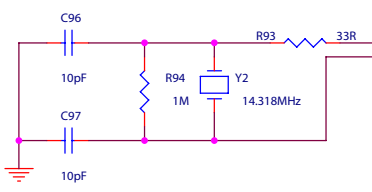
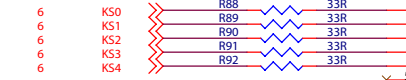
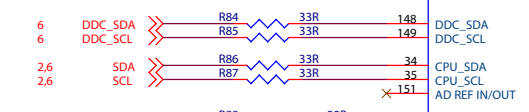
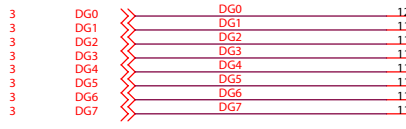
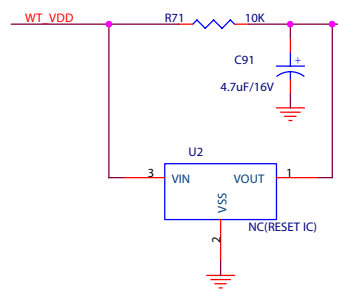
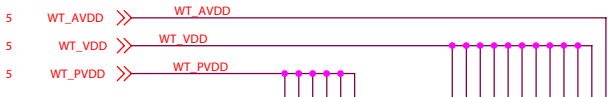


Title		VIDEO DECODER	
Size	A3	Document Number	Rev B
Date:	Friday, August 08, 2003	Sheet	2 of 9



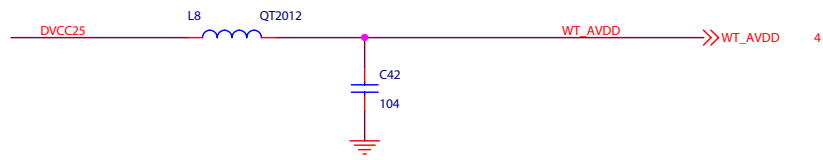
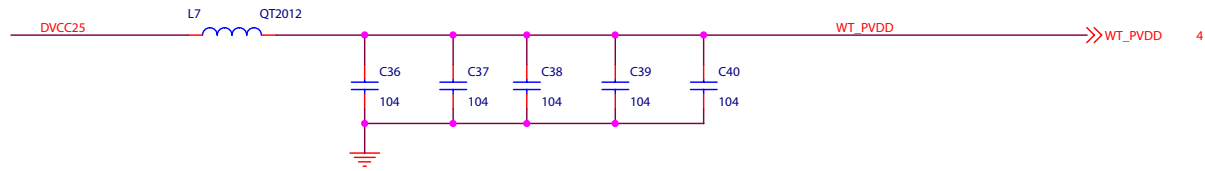
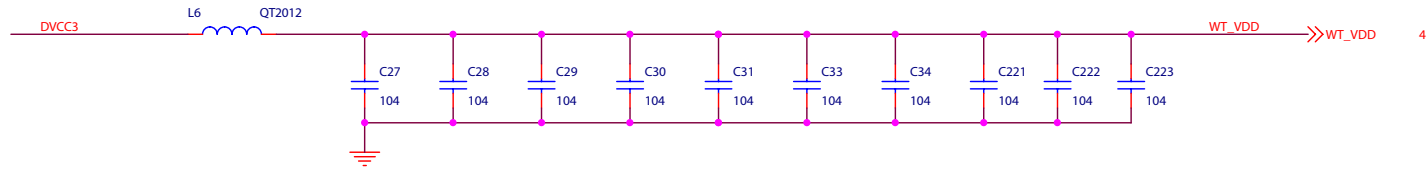
Title		
DAMPING NETWORKS		
Size	Document Number	Rev
B		B
Date:	Friday, August 08, 2003	Sheet 3 of 9

1,2,6,7,8 DVCC5



Title		
SCALER + MCU		
Size	Document Number	Rev
Custom		B
Date:	Friday, August 08, 2003	Sheet 4 of 9

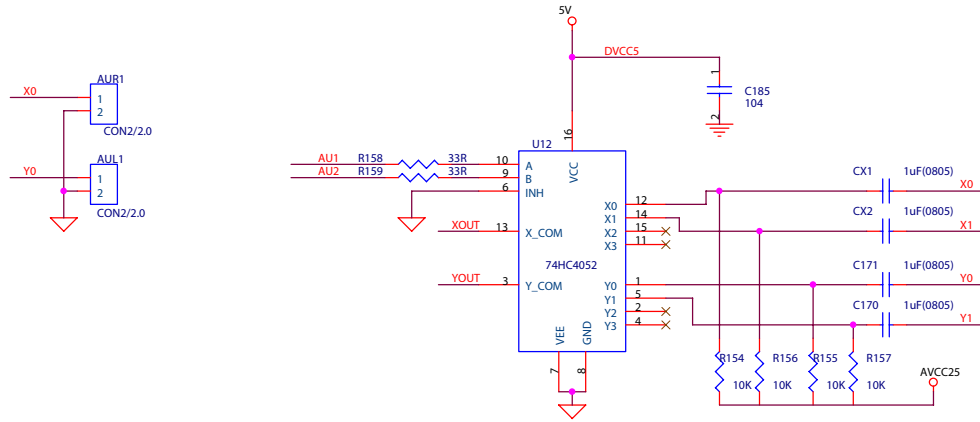
1,2,6,7,9 DVCC3 >> DVCC3  
 1,2,6 DVCC25 >> DVCC25



GND\_POWER >> GND\_POWER 2,4,7,8

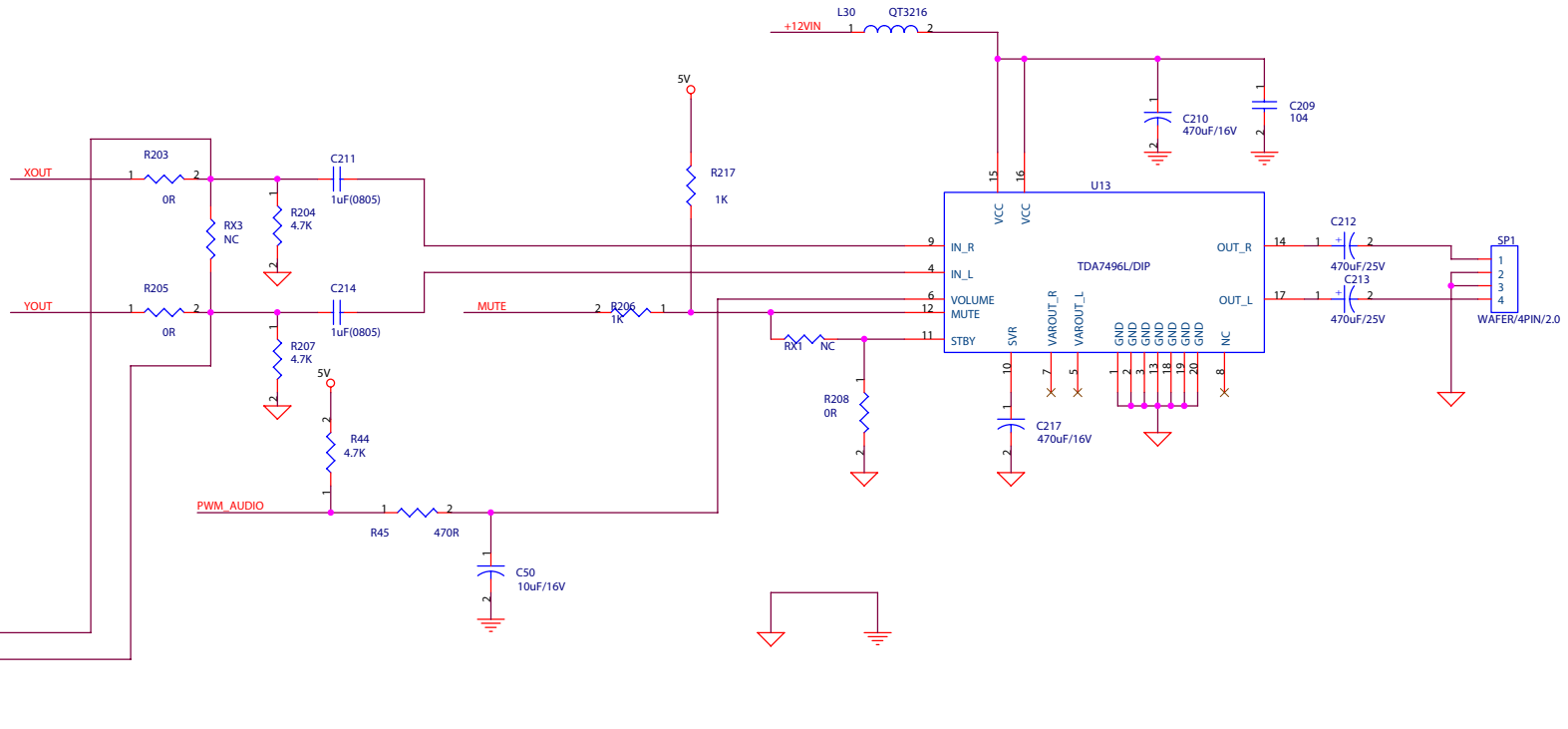
Title		
SCALER POWER		
Size	Document Number	Rev
B		B
Date:	Friday, August 08, 2003	Sheet 5 of 9



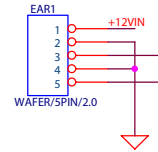


INH	AV_SEL_2	AV_SEL_1	ON CHANNEL
L	L	L	X0, Y0
L	L	H	X1, Y1
L	H	L	X2, Y2
L	H	H	X3, Y3
H	X	X	NONE

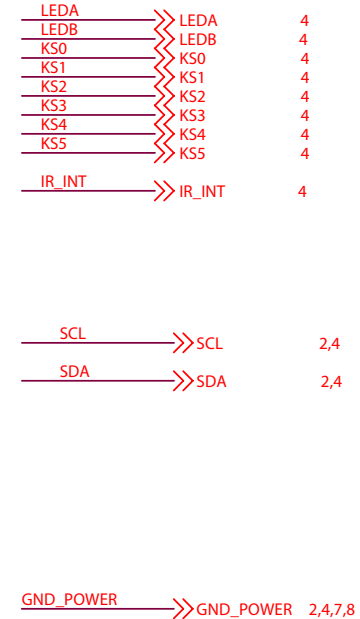
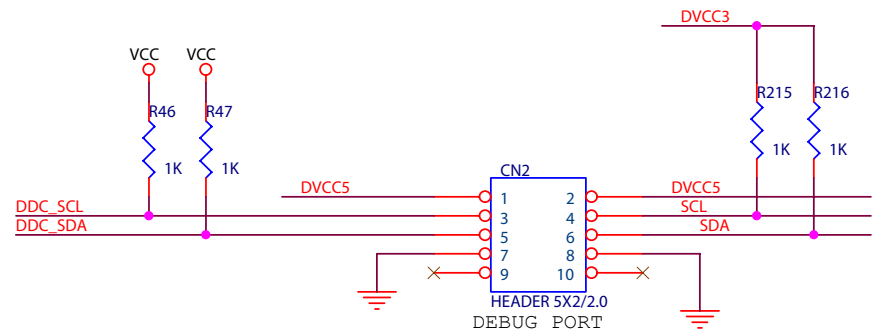
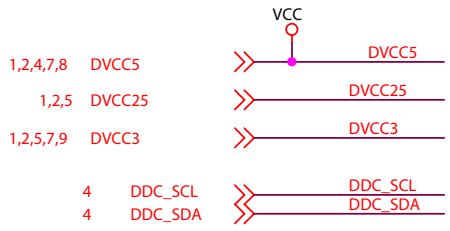
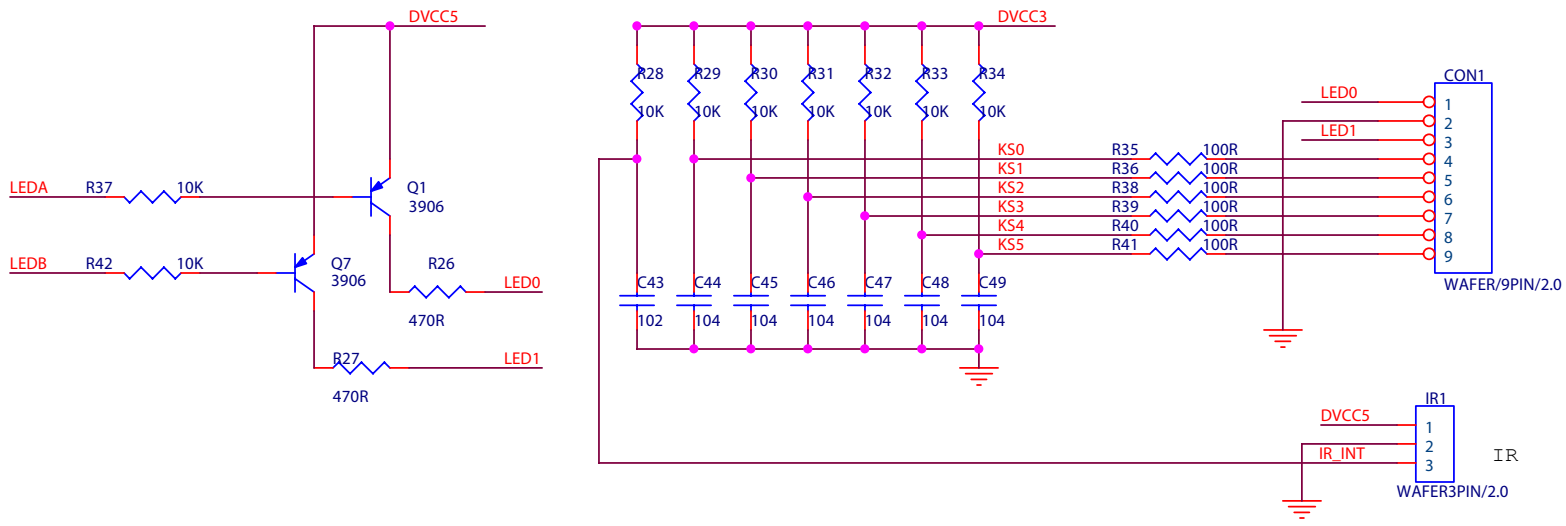
- 1 +12VIN >> +12VIN
- 1,2,4,6,7 DVCCS >> DVCCS
- 4 PWM\_AUDIO >> PWM\_AUDIO
- 4 MUTE >> MUTE
- 4 AU1 >> AU1
- 4 AU2 >> AU2
- 2 X1 >> X1
- 2 Y1 >> Y1



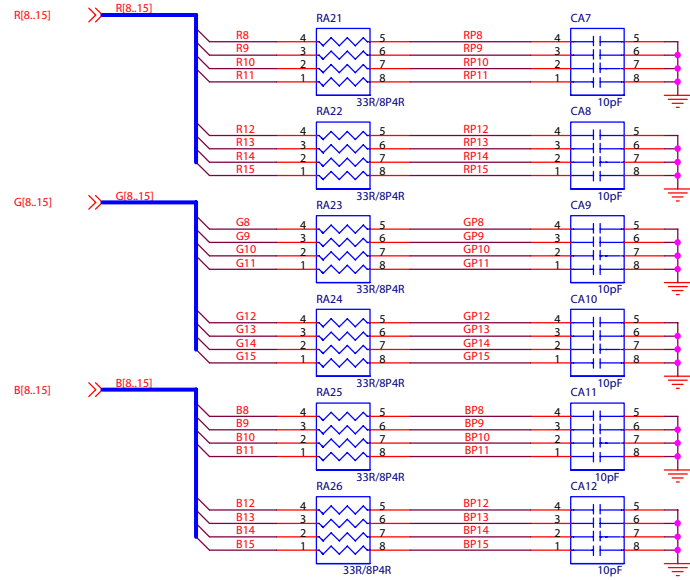
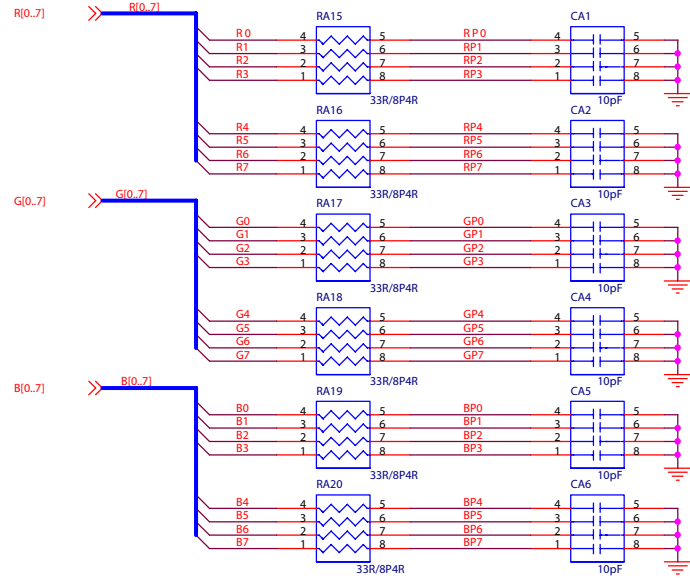
- 2,4,7 GND\_POWER >> GND\_POWER



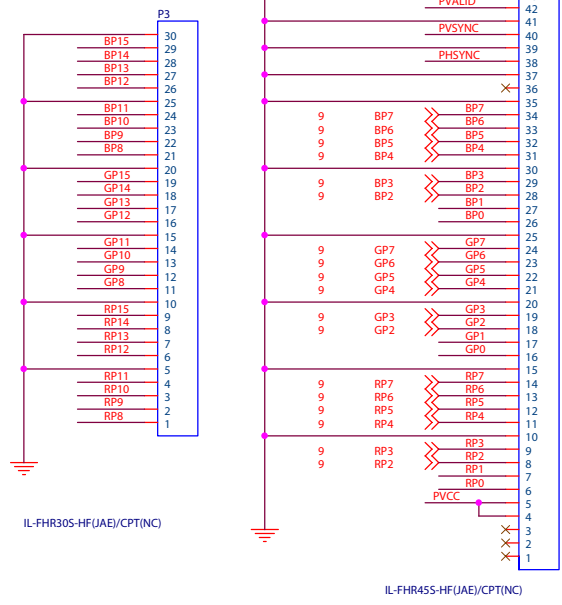
Title			Audio
Size	Document Number		Rev
A3			B
Date:	Friday, August 08, 2003	Sheet	8 of 9



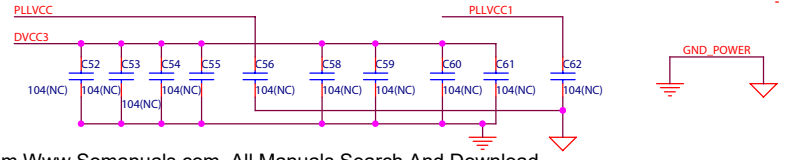
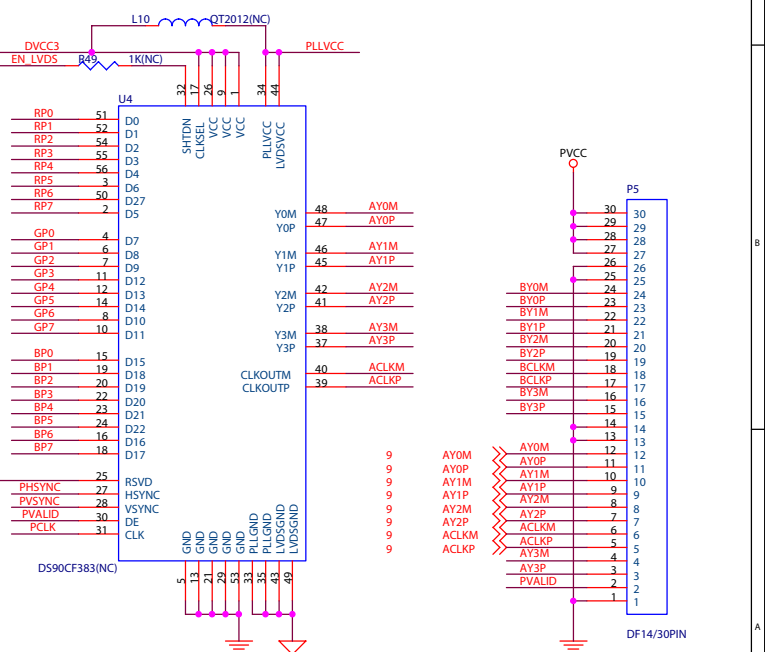
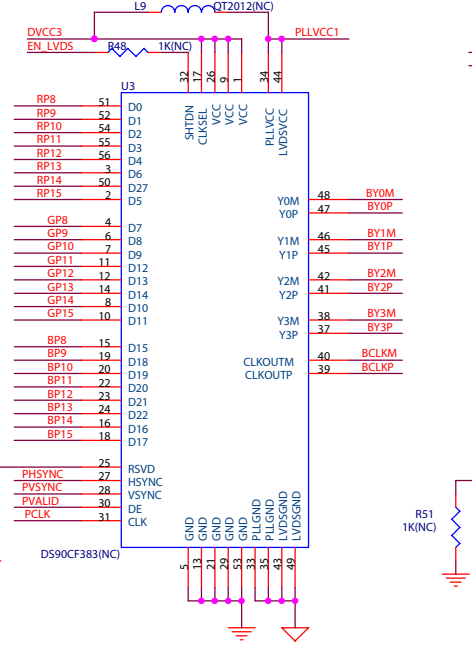
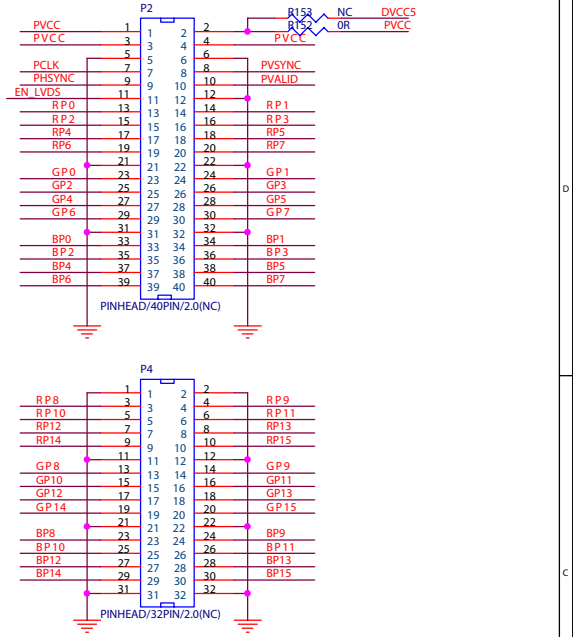
Title		
KEY PAD		
Size	Document Number	Rev
A4		
Date:	Friday, August 08, 2003	Sheet 6 of 9



**Panel connector**

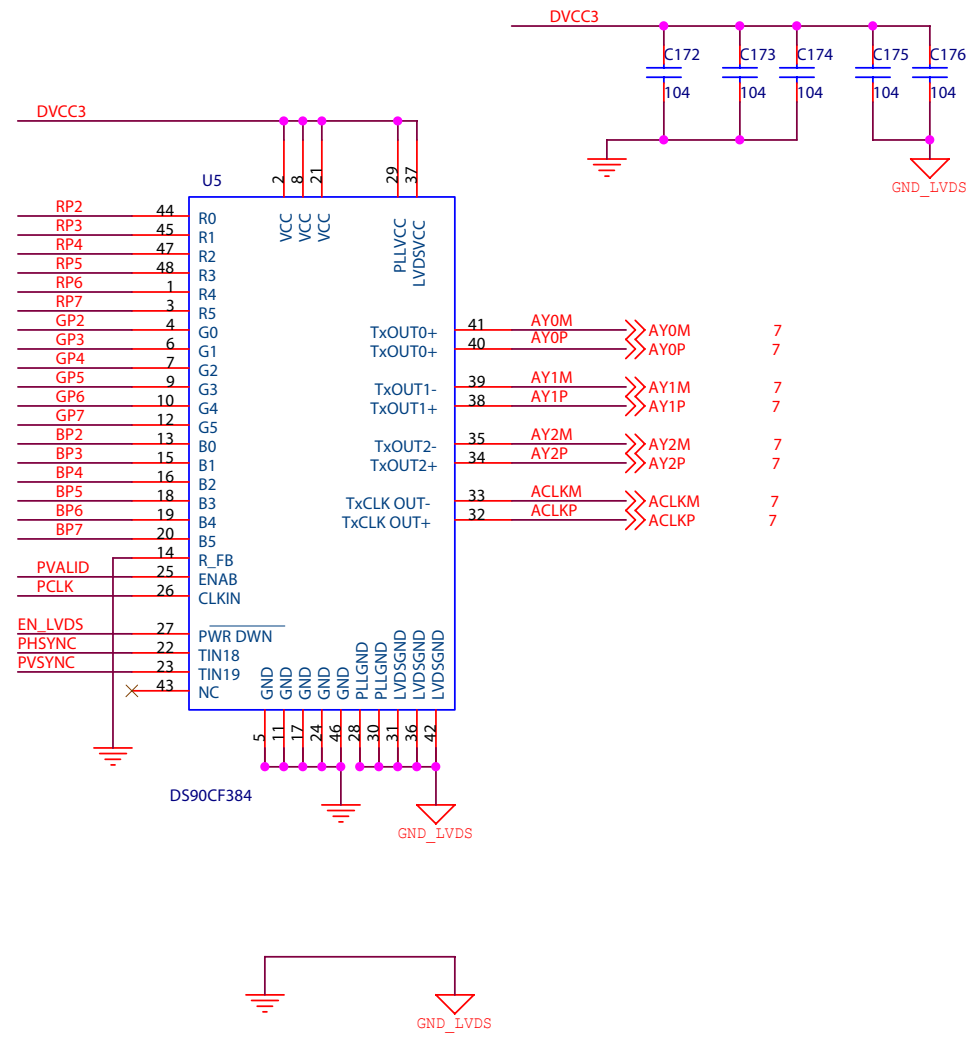
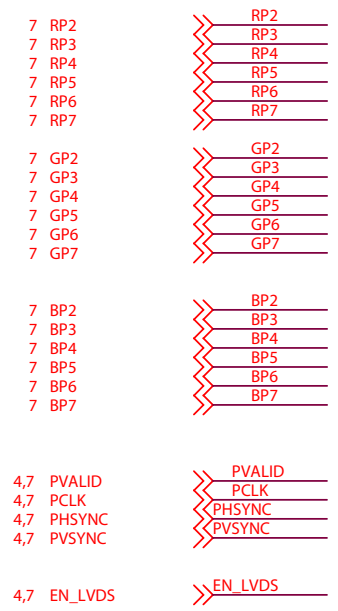


**General Panel connector**

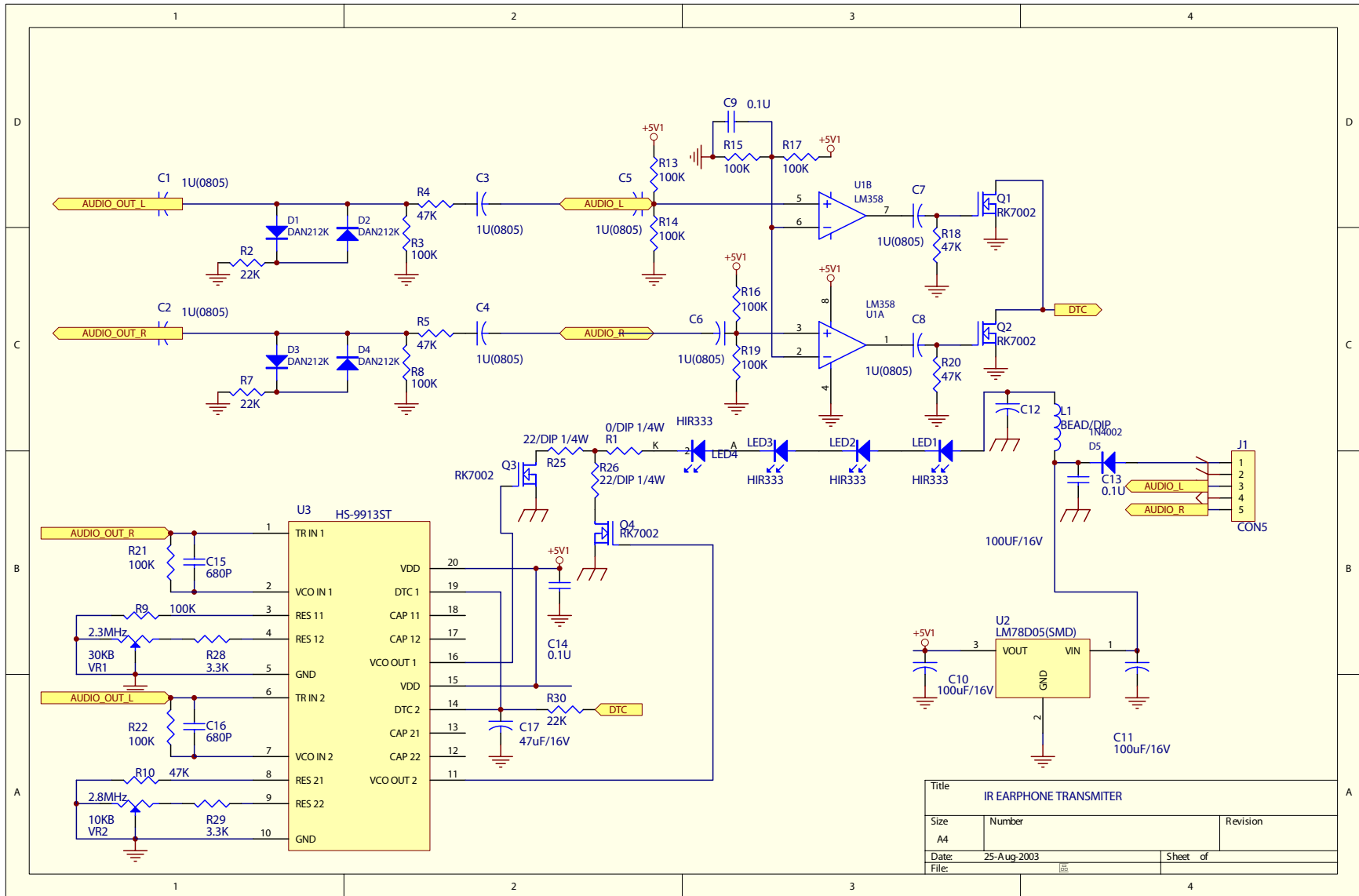


Title			PANEL INTERFACE		
Size	Document Number		Rev		
A3			B		
Date:	Friday, August 08, 2003		Sheet 7 of 9		

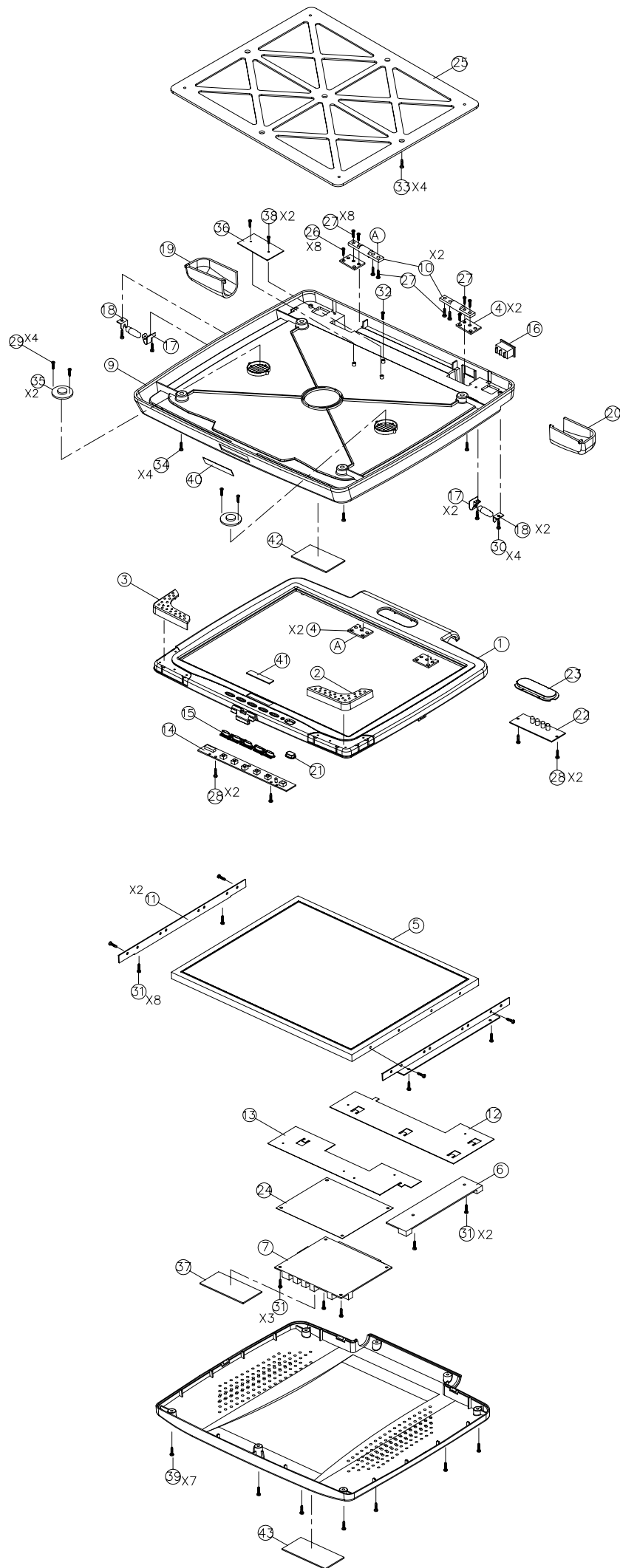
1,2,5,6,7 DVCC3



Title		
LVDS 6 BIT		
Size	Document Number	Rev
A4		B
Date:	Friday, August 08, 2003	Sheet 9 of 9



Title		
IR EARPHONE TRANSMITER		
Size	Number	Revision
A4		
Date:	25-Aug-2003	Sheet of
File:		



## EXPLODED VIEW PARTS

NO.	PART NO.	DESCRIPTION	QTY
1.	100-01410-010	FRONT CABINET	1
2.	110-00170-010	CABINET RUBBER L	1
3.	110-00170-020	CABINET RUBBER R	1
4.	106-00104-080	HINGE BRACKET	1
5.	045-01410-010	LCD PANEL	1
6.	002-01410-010	INVERTER	1
7.	710-01410-010	MAIN BOARD	1
8.	100-01410-020	BACK CABINET	1
9.	102-01410-010	BOTTOM BASE	1
10.	105-00133-010	HINGE	2
11.	106-01410-010	PANEL BRACKET	2
12.	106-01410-020	MAIN BRACKET (UP)	1
13.	106-01410-030	MAIN BRACKET(DO)	1
14.	701-01410-010	KEY BOARD	1
15.	104-01410-010	KEY KNOB	1
16.	043-00104-010	POWER KNOB	1
17.	109-00104-020	LAMP METAL L	2
18.	109-00104-010	LAMP METAL R	2
19.	107-01500-030	LAMP WINDOW L	1
20.	107-01500-040	LAMP WINDOW R	1
21.	107-00104-010	IR WINDOW	1
22.	716-00104-030	IR BOARD	1
23.	107-01500-020	IR TX WINDOW	1
24.	110-00104-020	SHIELD PLATE	1
25.	105-00133-010	BOTTOM BRACKET	1
26.	115-40080-012	MACHINE SCREW RM 4#X8L BLK	8
27.	115-40120-011	MACHINE SCREW RM 4#X12L NI	8
28.	118-26060-011	TAPPING SCREW RT 2.6#X6L NI	4
29.	117-20040-112	TAPPING SCREW 2#X4L BLK	4
30.	117-30060-011	TAPPING SCREW RT 3#X6L NI	4
31.	115-30050-061	MACHINE SCREW BM 3#X5L NI	13
32.	118-26080-111	TAPPING SCREW RM 2.6#X8L NI	1
33.	117-60200-012	MACHINE SCREW RM 6#X20L BLK	4
34.	115-40100-012	MACHINE SCREW RM 4#X10L BLK	4
35.	046-01770-010	SPEAKER	2
36.	706-01500-010	CABLE BOARD	1
37.	706-01410-020	FM CABLE BOARD	1
38.	118-26050-011	TAPPING SCREW RM 2.6#X5L NI	2
39.	115-30080-032	MACHINE SCREW RM 3#X8L BLK	7
40.		NAME PLATE 40X8MM	1
41.		NAME PLATE 50X10MM	1
42.	125-00550-010	LABEL 39X24MM	1
43.		NAME PLATE 49.5X29.5MM	1

## Free Manuals Download Website

<http://myh66.com>

<http://usermanuals.us>

<http://www.somanuals.com>

<http://www.4manuals.cc>

<http://www.manual-lib.com>

<http://www.404manual.com>

<http://www.luxmanual.com>

<http://aubethermostatmanual.com>

Golf course search by state

<http://golfingnear.com>

Email search by domain

<http://emailbydomain.com>

Auto manuals search

<http://auto.somanuals.com>

TV manuals search

<http://tv.somanuals.com>