

Boss Audio

SERVICE MANUAL

MODEL NO. B V 17 FLIP

CONTENTS

SPECIFICATION.....	1
BLOCK DIAGRAM.....	2
SCHEMATIC DIAGRAM.....	3-12
EXPLODED VIEW.....	13-14

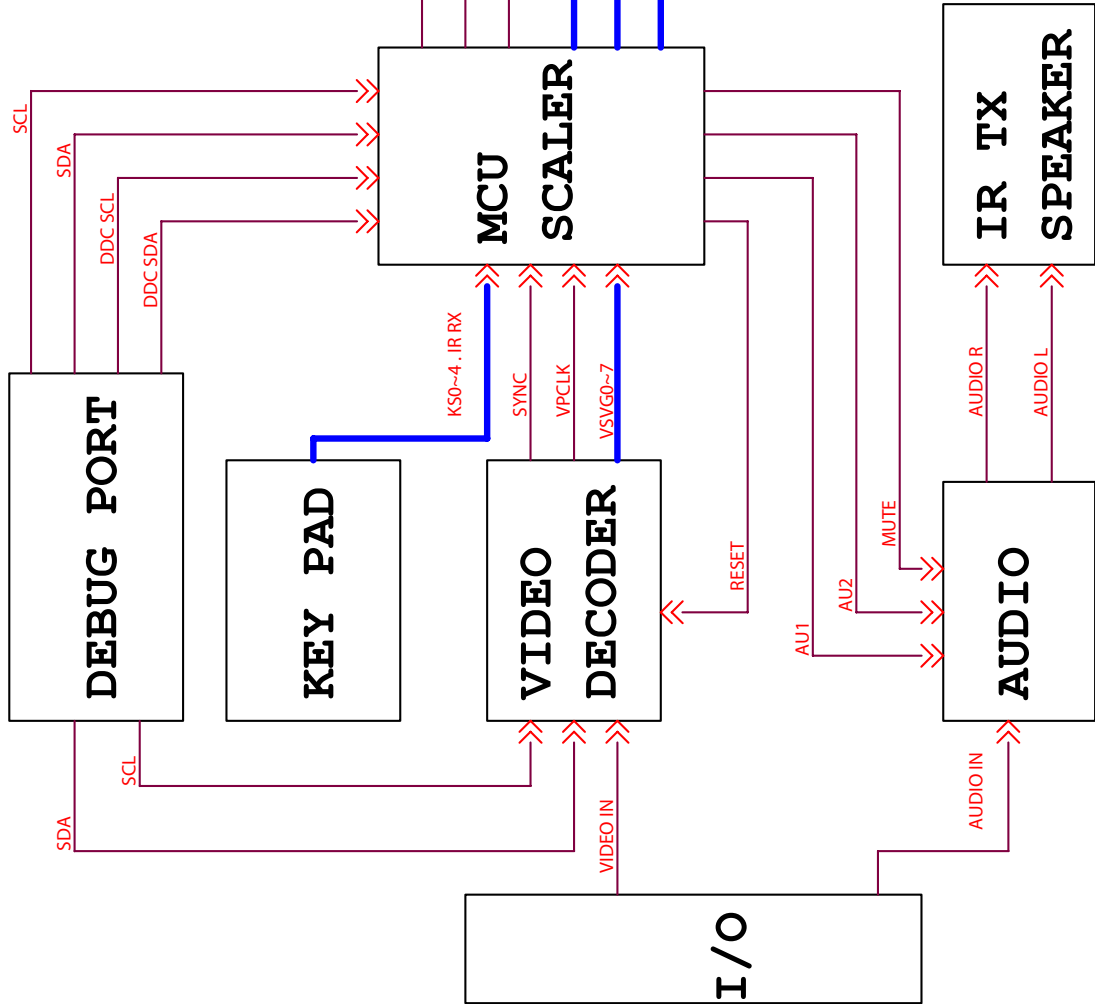
APPROVED BY

CHECK BY:

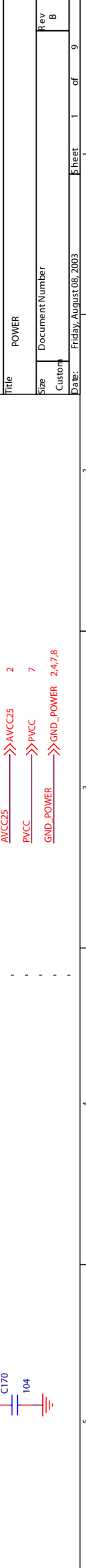
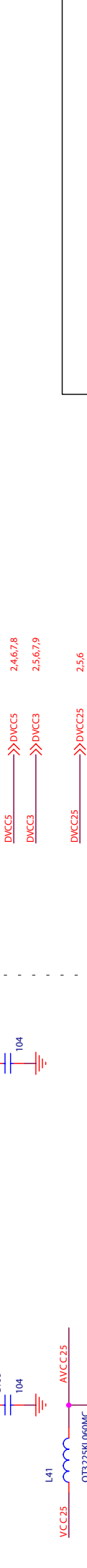
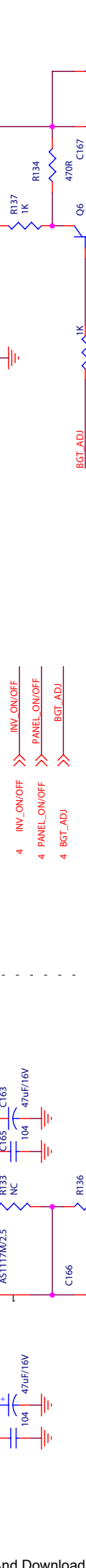
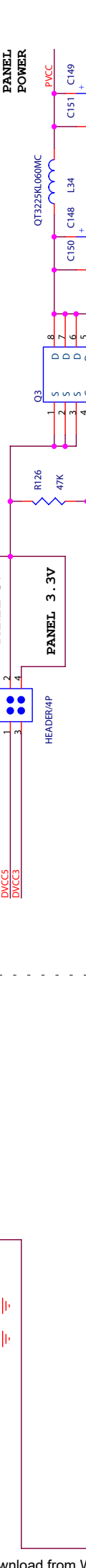
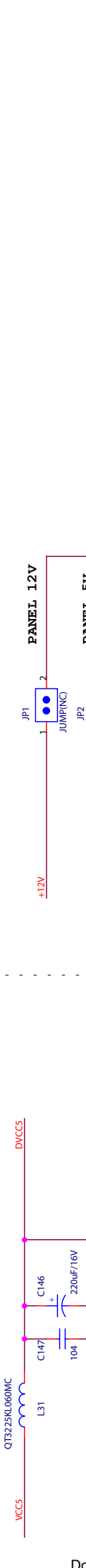
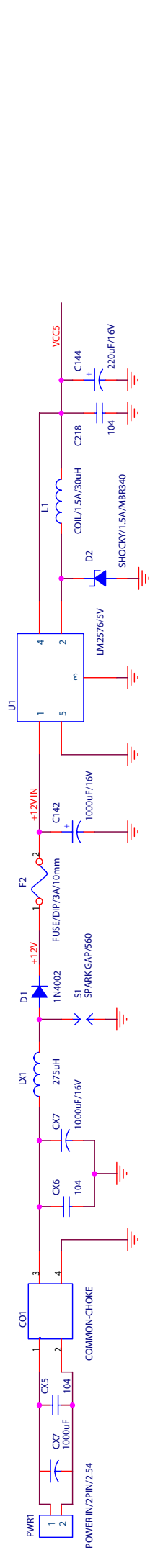
ISSUED BY:

SPECIFICATION

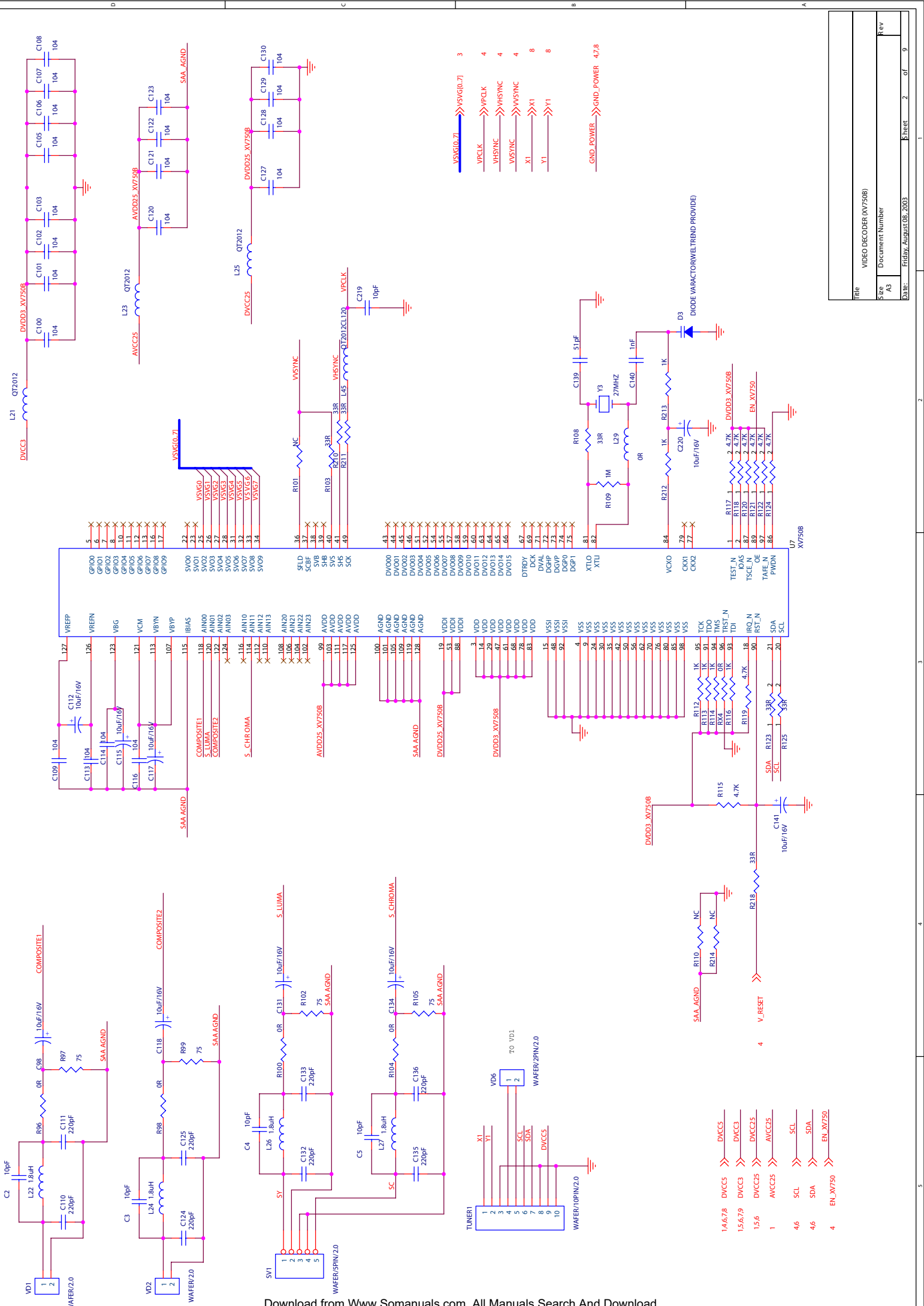
Type	Roof Mount Color Display Monitor
Signal Input	Sync. : Separate TTL sync. Video: Composite sync. System: NTSC M,N PAL SECAM Audio : 1.0 V p-p
Display System	Active Matrix High Resolution TFT-LCD Monitor
Environment	Operating Temperature: 0-35C Storage Temperature : -20C-60C Humidity: 20%-90%



Title	
Size	Document Number
A	
Date:	Tuesday, August 05, 2003
Sheet	1 of 1



Title		POWER
Size		Document Number
Customer	Rev	B
Date:	Friday, August 08, 2003	Sheet 1 of 9

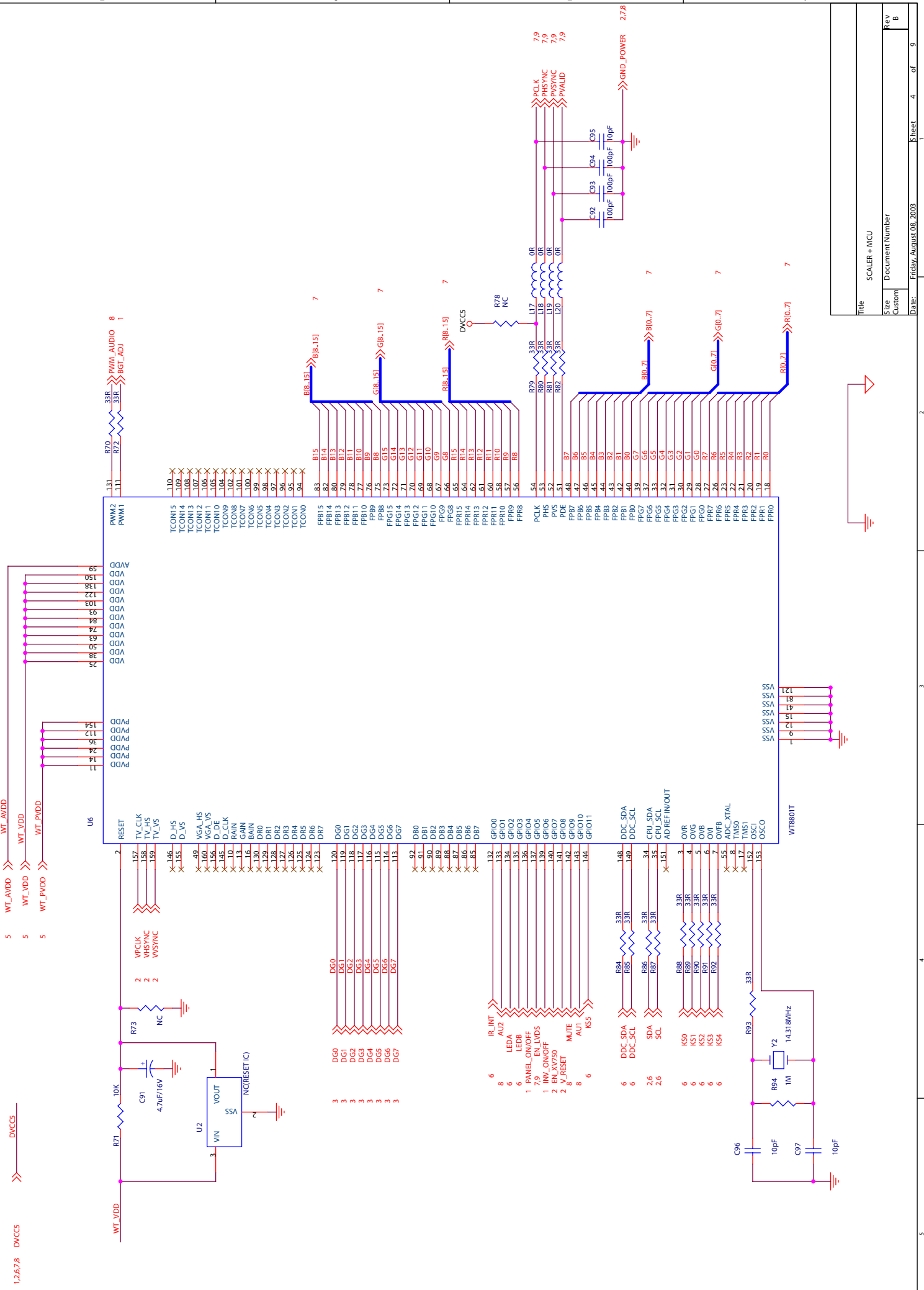


- 1 VSWG0.71
- 2 VSWG0.71
- 3 VSWG0.71
- 4 VCLK
- 5 VHSYNC
- 6 VHSYNC
- 7 VVSYNC
- 8 X1
- 9 Y1

GND_POWER → GND_POWER 4,7,8

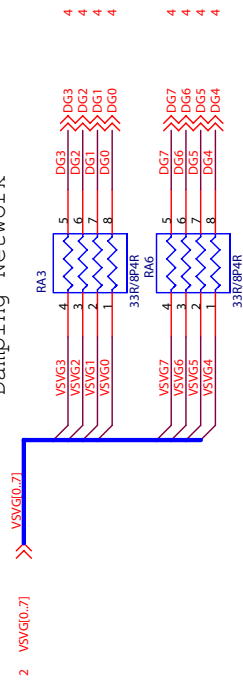
- 1 1A,6,7,8 DVCC5
- 2 1,5,6,7,9 DVCC3
- 3 1,5,6 DVCC25
- 4 1 AVCC25
- 5 4,6 SCL
- 6 4,6 SDA
- 7 4 EN_XV750

Title		VIDEO DECODER (XV750B)
Sheet		Document Number
AS		
Date:		Friday, August 08, 2003
Sheet	2	of 9



Title	SCALER + MCU
Size	Document Number
Custom	
Date:	Friday, August 06, 2009
Sheet	4 of 9
Rev	B

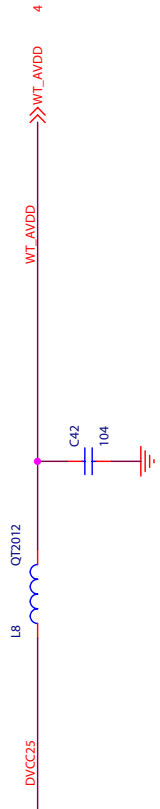
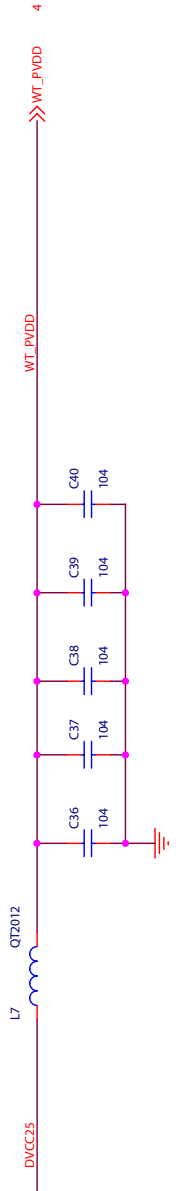
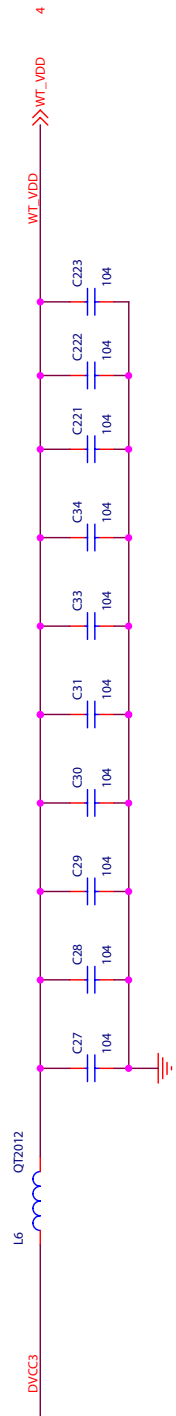
VIDEO Interface
Damping Network



Title	DAMPING NETWORKS
Size	B
Rev	Document Number
Date:	Friday, August 08, 2003

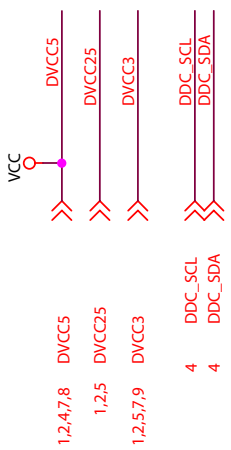
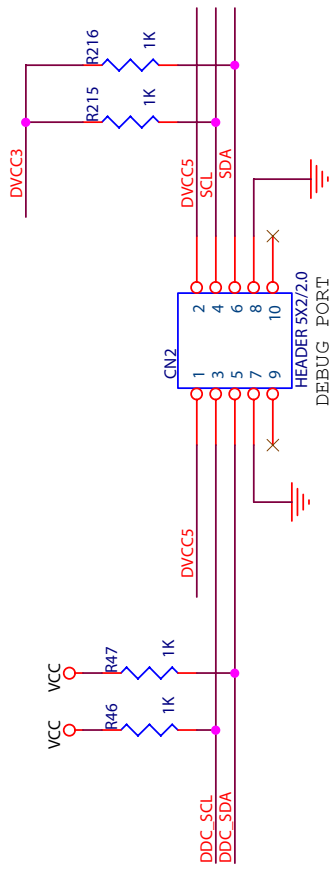
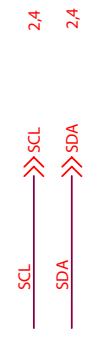
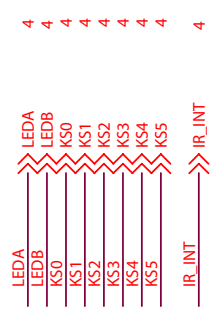
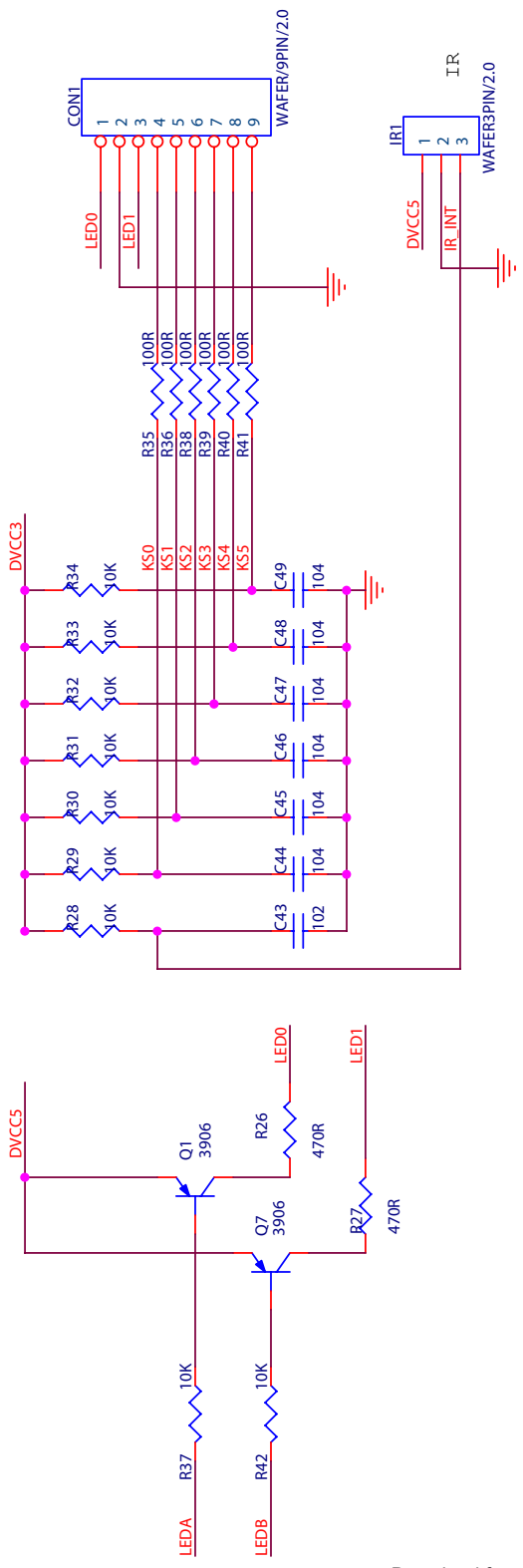
Sheet	3	of	9
-------	---	----	---

1,2,6,7,9 DVCC3
 1,2,6 DVCC25

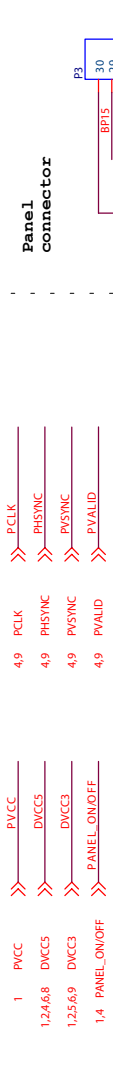
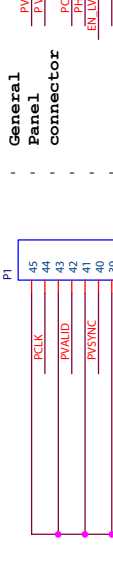
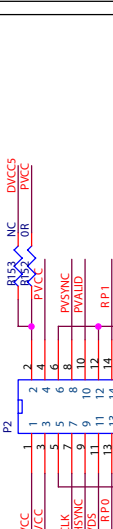


GND_POWER → GND_POWER 2,4,7,8

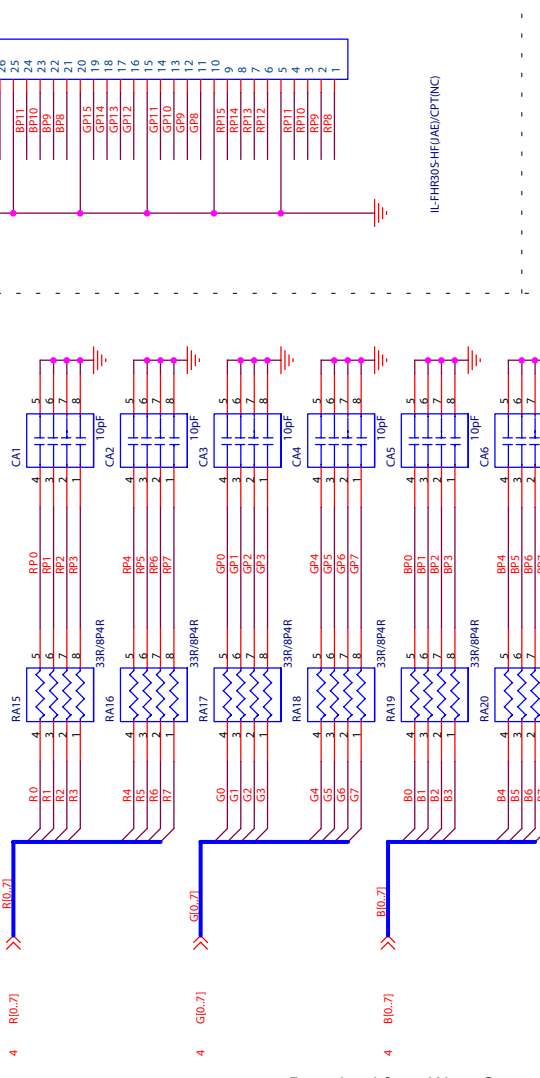
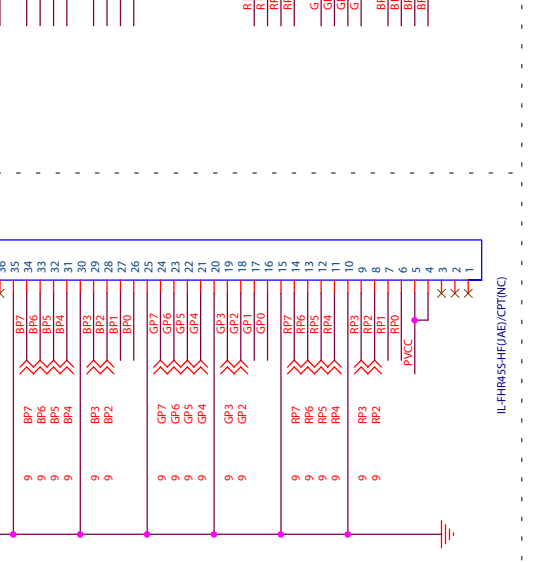
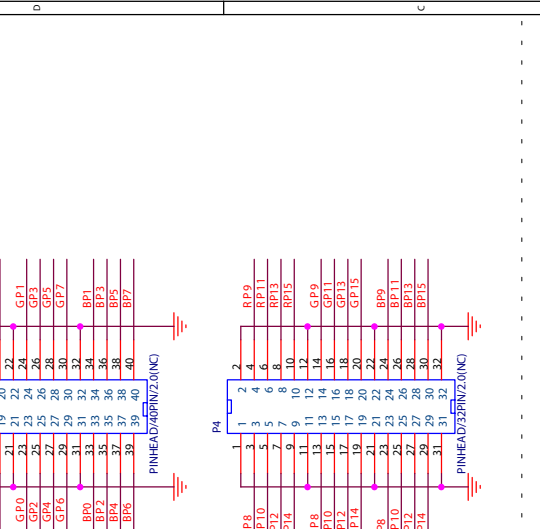
Title		SCALER POWER
Size	Document Number	
B	B	
Date:	Friday, August 08, 2003	Sheet 5 of 9



Title		KEYPAD	
Size	A4	Document Number	
Date:	Friday, August 08, 2003	Sheet	6 of 9



Download from www.Somanuals.com. All Manuals Search And Download.



Download from www.Somanuals.com. All Manuals Search And Download.

1 P1 P2 P3 P4 P5

4.9 PCLK PVALID PHSYNC PHSYNC PHSYNC PVALID EN_LVDS

30 BP15 BP14 BP13 BP12 BP11 BP10 BP9 BP8 BP7 BP6 BP5 BP4 BP3 BP2 BP1 RP8 RP7 RP6 RP5 RP4 RP3 RP2 RP1 GP7 GP6 GP5 GP4 GP3 GP2 GP1 RP8 RP7 RP6 RP5 RP4 RP3 RP2 RP1 GP7 GP6 GP5 GP4 GP3 GP2 GP1 RP8 RP7 RP6 RP5 RP4 RP3 RP2 RP1

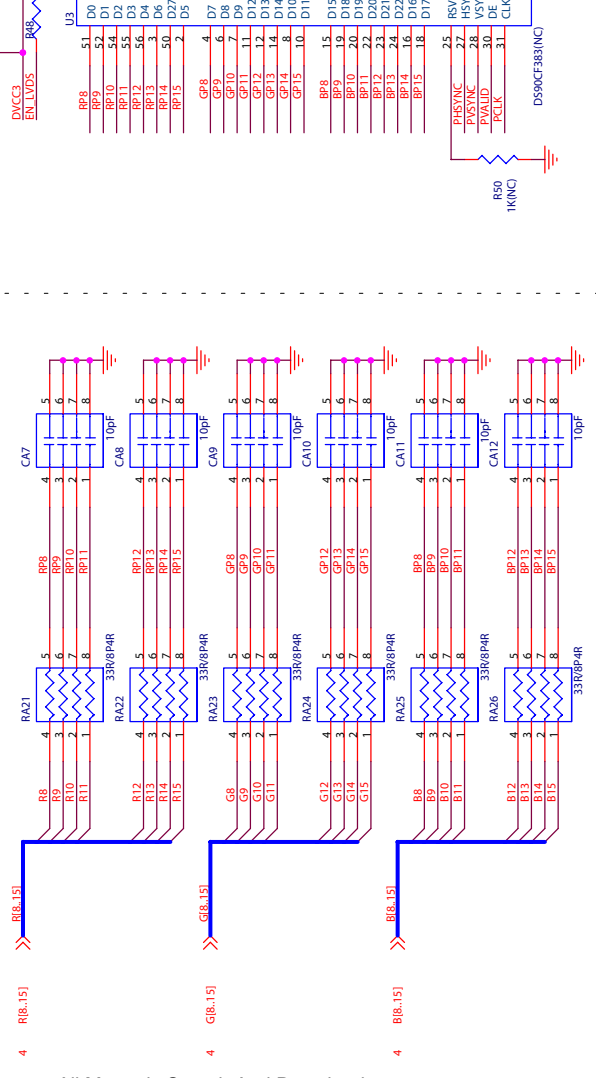
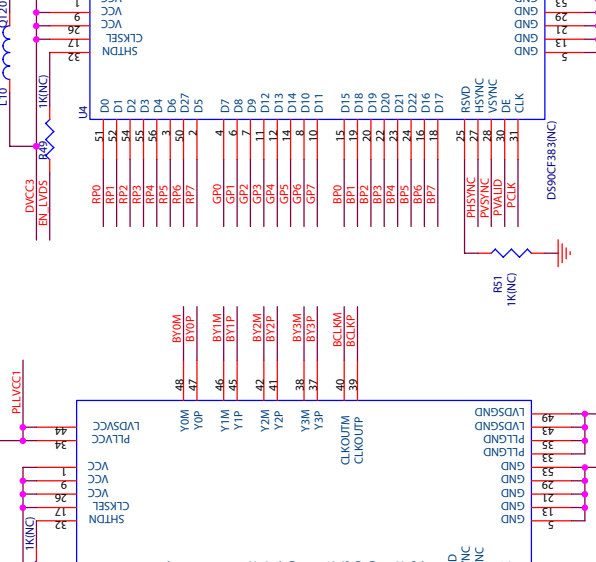
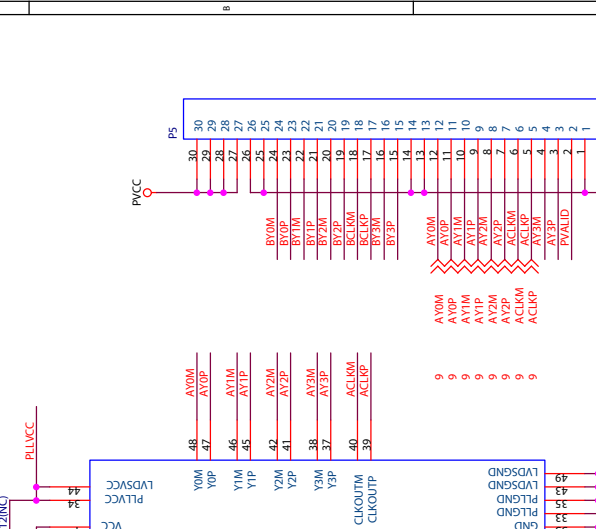
P1 P2 P3 P4 P5

4.9 PCLK PVALID PHSYNC PHSYNC PHSYNC PVALID EN_LVDS

30 BP15 BP14 BP13 BP12 BP11 BP10 BP9 BP8 BP7 BP6 BP5 BP4 BP3 BP2 BP1 RP8 RP7 RP6 RP5 RP4 RP3 RP2 RP1 GP7 GP6 GP5 GP4 GP3 GP2 GP1 RP8 RP7 RP6 RP5 RP4 RP3 RP2 RP1 GP7 GP6 GP5 GP4 GP3 GP2 GP1 RP8 RP7 RP6 RP5 RP4 RP3 RP2 RP1

4.9 PCLK PVALID PHSYNC PHSYNC PHSYNC PVALID EN_LVDS

Download from www.Somanuals.com. All Manuals Search And Download.



Download from www.Somanuals.com. All Manuals Search And Download.

1 P1 P2 P3 P4 P5

4.9 PCLK PVALID PHSYNC PHSYNC PHSYNC PVALID EN_LVDS

30 BP15 BP14 BP13 BP12 BP11 BP10 BP9 BP8 BP7 BP6 BP5 BP4 BP3 BP2 BP1 RP8 RP7 RP6 RP5 RP4 RP3 RP2 RP1 GP7 GP6 GP5 GP4 GP3 GP2 GP1 RP8 RP7 RP6 RP5 RP4 RP3 RP2 RP1 GP7 GP6 GP5 GP4 GP3 GP2 GP1 RP8 RP7 RP6 RP5 RP4 RP3 RP2 RP1

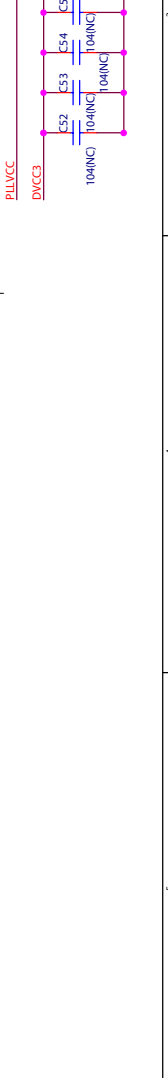
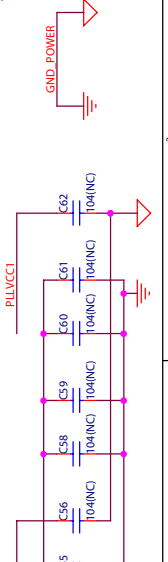
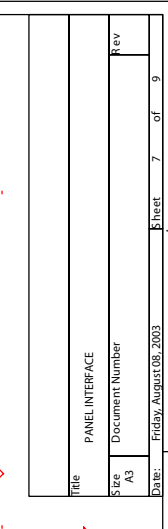
P1 P2 P3 P4 P5

4.9 PCLK PVALID PHSYNC PHSYNC PHSYNC PVALID EN_LVDS

30 BP15 BP14 BP13 BP12 BP11 BP10 BP9 BP8 BP7 BP6 BP5 BP4 BP3 BP2 BP1 RP8 RP7 RP6 RP5 RP4 RP3 RP2 RP1 GP7 GP6 GP5 GP4 GP3 GP2 GP1 RP8 RP7 RP6 RP5 RP4 RP3 RP2 RP1 GP7 GP6 GP5 GP4 GP3 GP2 GP1 RP8 RP7 RP6 RP5 RP4 RP3 RP2 RP1

4.9 PCLK PVALID PHSYNC PHSYNC PHSYNC PVALID EN_LVDS

Download from www.Somanuals.com. All Manuals Search And Download.



Download from www.Somanuals.com. All Manuals Search And Download.

1 P1 P2 P3 P4 P5

4.9 PCLK PVALID PHSYNC PHSYNC PHSYNC PVALID EN_LVDS

30 BP15 BP14 BP13 BP12 BP11 BP10 BP9 BP8 BP7 BP6 BP5 BP4 BP3 BP2 BP1 RP8 RP7 RP6 RP5 RP4 RP3 RP2 RP1 GP7 GP6 GP5 GP4 GP3 GP2 GP1 RP8 RP7 RP6 RP5 RP4 RP3 RP2 RP1 GP7 GP6 GP5 GP4 GP3 GP2 GP1 RP8 RP7 RP6 RP5 RP4 RP3 RP2 RP1

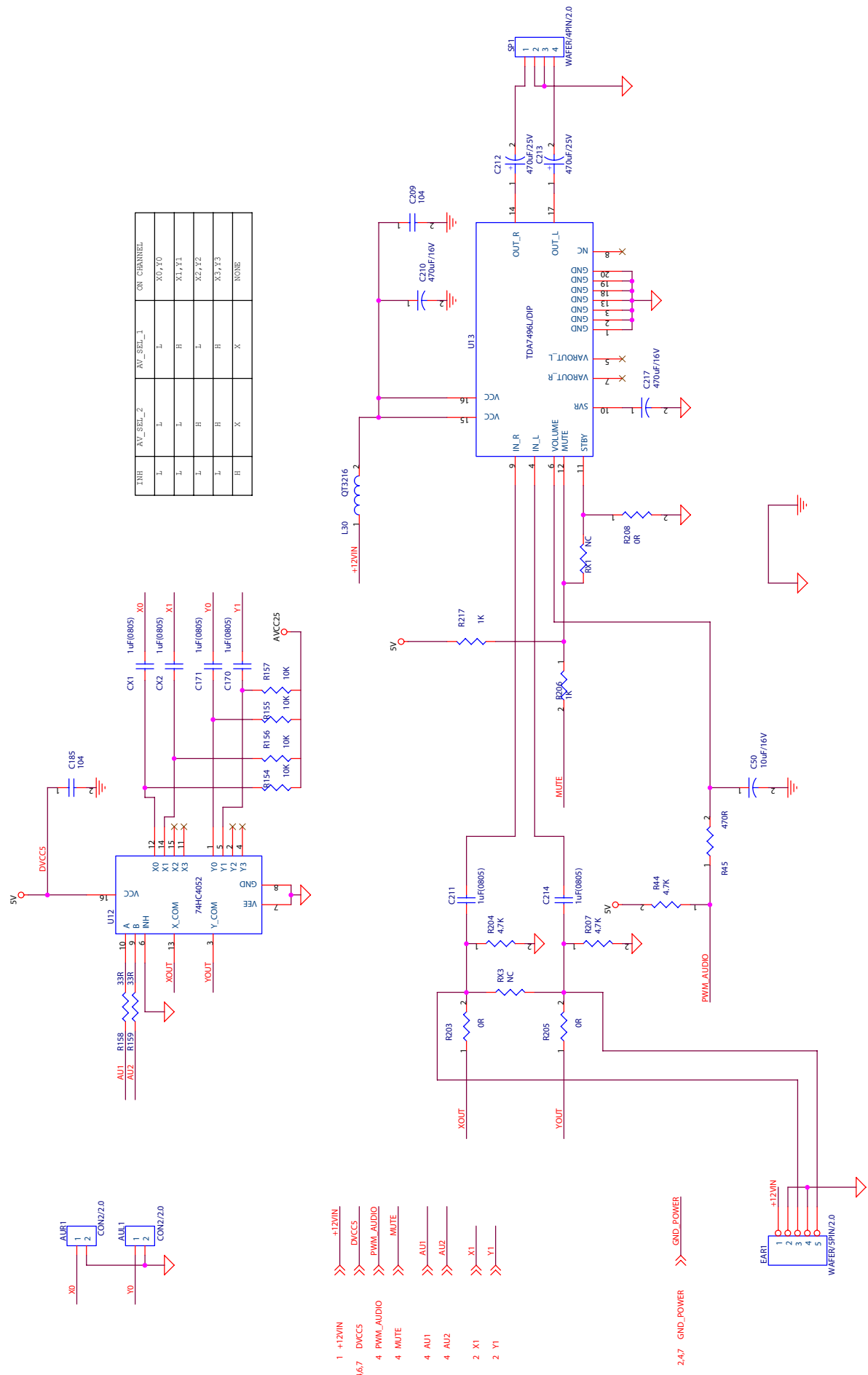
P1 P2 P3 P4 P5

4.9 PCLK PVALID PHSYNC PHSYNC PHSYNC PVALID EN_LVDS

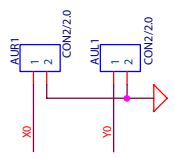
30 BP15 BP14 BP13 BP12 BP11 BP10 BP9 BP8 BP7 BP6 BP5 BP4 BP3 BP2 BP1 RP8 RP7 RP6 RP5 RP4 RP3 RP2 RP1 GP7 GP6 GP5 GP4 GP3 GP2 GP1 RP8 RP7 RP6 RP5 RP4 RP3 RP2 RP1 GP7 GP6 GP5 GP4 GP3 GP2 GP1 RP8 RP7 RP6 RP5 RP4 RP3 RP2 RP1

Download from www.Somanuals.com. All Manuals Search And Download.

Title: PANEL INTERFACE
 Document Number: A3
 Date: Friday, August 08, 2003
 Page: 7 of 9

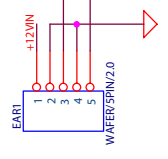


INH	AV_SEL_2	AV_SEL_1	ON CHANNEL
L	L	L	X0, Y0
L	L	H	X1, Y1
L	H	L	X2, Y2
L	H	H	X3, Y3
H	X	X	NONE

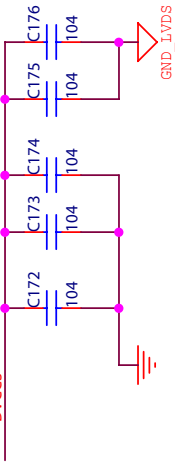


- 1 +12VIN
- 1,2,4,6,7 DVCCS
- 4 PWM_AUDIO
- 4 MUTE
- 4 AU1
- 4 AU2
- 2 X1
- 2 Y1

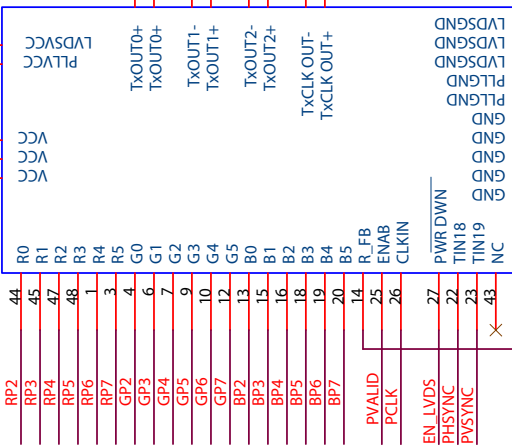
- 2,4,7 GND_POWER



1,2,5,6,7 DVCC3



- 7 RP2
- 7 RP3
- 7 RP4
- 7 RP5
- 7 RP6
- 7 RP7
- 7 GP2
- 7 GP3
- 7 GP4
- 7 GP5
- 7 GP6
- 7 GP7
- 7 BP2
- 7 BP3
- 7 BP4
- 7 BP5
- 7 BP6
- 7 BP7
- 4,7 PVALID
- 4,7 PCLK
- 4,7 PHSYNC
- 4,7 PVSYSN
- 4,7 EN_LVDS



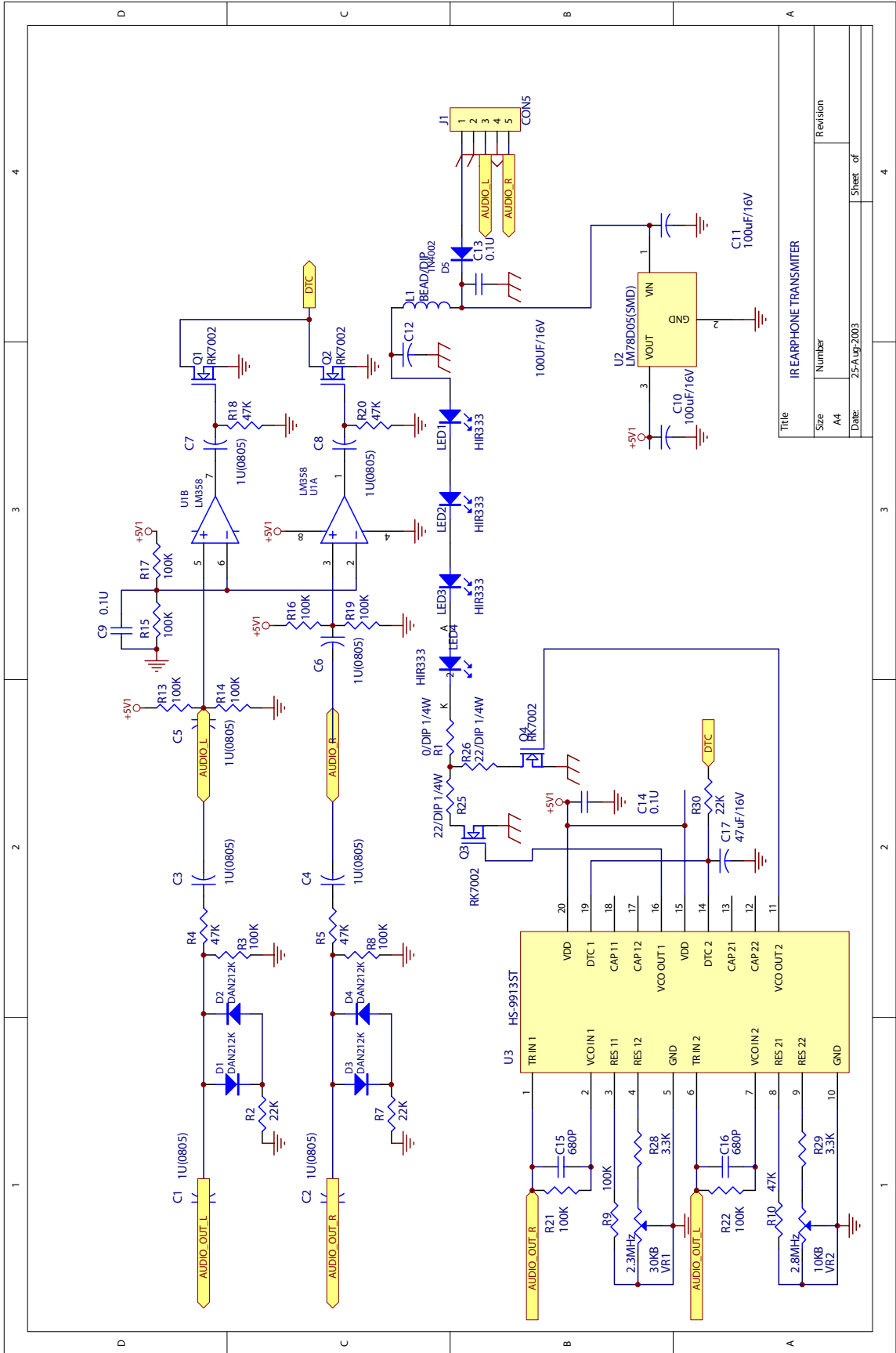
- 41 AY0M
- 40 AY0P
- 39 AY1M
- 38 AY1P
- 35 AY2M
- 34 AY2P
- 33 ACLKM
- 32 ACLKP

4,7 EN_LVDS

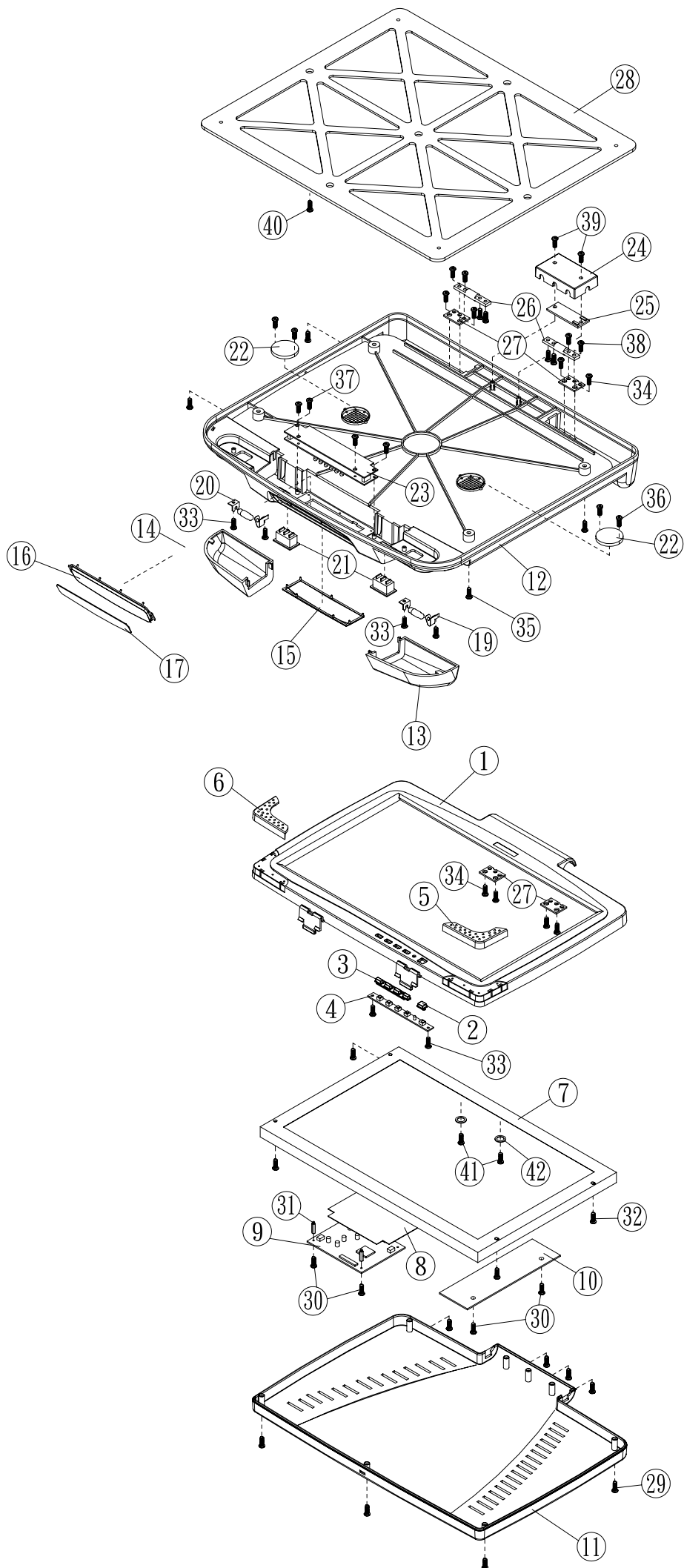
DS900CF384



Title		LVDS 6 BIT	
Size	A4	Document Number	
Date:	Friday, August 08, 2003	Sheet	9 of 9



Title		IREARPHONE TRANSMITTER	
Size	Number	Revision	
A4			
Date:	25-Aug-2003	Sheet	of



EXPLODED VIEW PARTS

NO.	PART NO.	DESCRIPTION	QTY
1.	100-01770-010	FRONT CABINET	1
2.	107-01770-050	CABINET RUBBER R	1
3.	104-01770-010	KEY KNOB	1
4.	701-01770-010	KEY BOARD	1
5.	110-00170-010	CABINET RUBBER L	1
6.	110-00170-020	CABINET RUBBER R	1
7.	045-00170-020	LCD PANEL	1
8.	110-00104-020	SHIELD PALTE	1
9.	710-00170-010	MAIN BOARD	1
10.	002-00170-010	INVERTER	1
11.	100-00153-020	BACK CABINET	1
12.	102-01770-010	BOTTOM BASE	1
13.	107-01770-030	LAMP WINDOW L	1
14.	107-01770-040	LAMP WINDOW R	1
15.	107-01770-020	ACRYLIC WINDOW	1
16.	103-01770-010	LOGO HOLDER A	1
17.		NAME PLATE 142X32MM	1
18.	103-01770-020	LOGO HOLDER B	1
19.	109-00104-020	LAMP METAL L	2
20.	109-00104-010	LAMP METAL R	2
21.	043-00104-010	POWER SWITCH	2
22.	046-01770-010	SPEAKER 36#	2
23.	716-01770-010	IR TX BOARD	1
24.	102-01770-021	CABLE COVER	1
25.	706-00170-010	CABLE BOARD	1
26.	105-00133-010	HINGE	2
27.	106-00104-080	HINGE BRACKET	4
28.	106-00170-030	BOTTOM BRACKET	1
29.	115-30100-012	MACHINE SCREW RM 3#X10L BLK	8
30.	118-30050-011	TAPPING SCREW RT 3#X5L NI	4
31.	105-00170-010	COPPER POST M3X10X6.3	2
32.	115-30080-111	MACHINE SCREW RM 3#X8L NI	4
33.	117-26060-011	TAPPING SCREW RT 2.6#X6L NI	6
34.	115-40080-012	MACHINE SCREW RM 4#X8L BLK	8
35.	115-40100-012	MACHINE SCREW RM 4#X10L BLK	4
36.	117-20040-112	TAPPING SCREW RT 2#X4L BLK	4
37.	118-30050-011	TAPPING SCREW RT3#X5L NI	4
38.	115-40120-011	MACHINE SCREW RM 4#X12L NI	8
39.	118-26100-012	TAPPING SCREW RT 2.6#X10L BLK	2
40.	117-60200-012	MACHINE SCREW RM 6#X20L BLK	4
41.	118-26050-111	TAPPING SCREW RT 2.6#X5L NI	2
42.	111-32100-010	WASHER 3.2#X10#X1T	2

Free Manuals Download Website

<http://myh66.com>

<http://usermanuals.us>

<http://www.somanuals.com>

<http://www.4manuals.cc>

<http://www.manual-lib.com>

<http://www.404manual.com>

<http://www.luxmanual.com>

<http://aubethermostatmanual.com>

Golf course search by state

<http://golfingnear.com>

Email search by domain

<http://emailbydomain.com>

Auto manuals search

<http://auto.somanuals.com>

TV manuals search

<http://tv.somanuals.com>