

Specifications	Pro60
Nominal Size	6 1/2"
RMS Power Handling	125 watts
Peak Power Handling	250 watts
Nominal Impedance	3 ohms
Frequency Response	50Hz-22kHz (±3dB)
Sensitivity	90dB (1watt @ 1meter)

#	Description	Quantity
1	Pro60 Woofer	2
2	Type-M2 1" Alloy Dome Tweeter	2
3	Pro60 Woofer Crossover	2
4	Pro60 Tweeter Crossover	2
5	Tweeter Grille	2
6	Tweeter Axis-Mount	2
7	Tweeter Flush-Mount	2
8	Tweeter Angle-Mount (top)	2
9	Tweeter Angle-Mount (bottom)	2
10	5 x 7" (127 x 177mm) Adapter	2
11	6" (160mm) Adapter	2
12	6 1/2" (165mm) Adapter	2
13	Woofer Gasket	2
not shown	Woofer Hardware Package	1
14	Boston Hex Tool	1
15	Woofer Grille	2
16	Small Gold Terminal	2
17	Large Gold Terminal	2
18	Crossover Bridge	2
19	1/2" (13mm) Spacer	2
not shown	11/16" Socket Button Head Screw	6
20	1/4" Socket Button Head Screw	6
not shown	Tweeter Hardware Pack	2
21	1" Socket Head Screw	4
22	Spring Clips	4
23	Terminated Tweeter Wire	2
24	Axis-Mount Stand-Off	2
25	3/8" Pan Head Screw	2
26	1" Flat Hex Head Screw	2
not shown	1/2" Pan Head Screw	2
27	11/8" Socket Button Head Screw	16
28	11/2" Flat Hex Head Screw	2
29	1/2" Self-Tapping Screw	4
30	1" Self-Tapping Screw	4
31	3/32" Hex Bit	1

**High Performance 6 1/2-inch Component Speaker System**

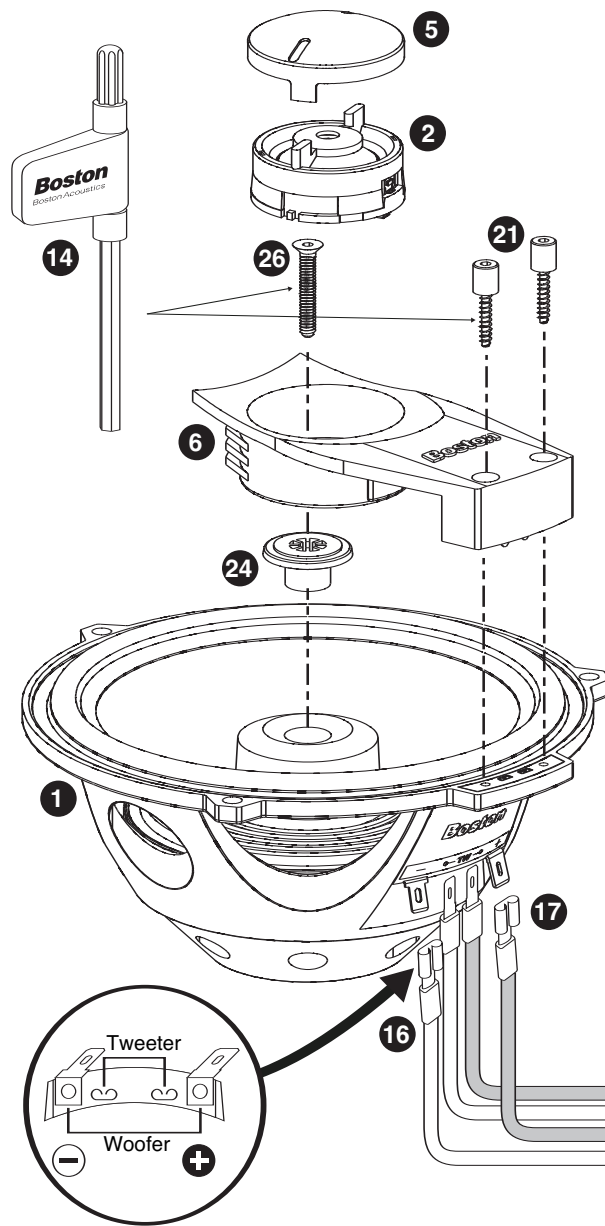


Boston Acoustics, Inc. 300 Jubilee Drive, Peabody, MA 01960 USA T: 978.538.5000 F: 978.538.5100 W: bostonacoustics.com  
 Boston, Boston Acoustics, and the Boston Acoustics logo are registered trademarks of Boston Acoustics, Inc.  
 Specifications are subject to change without notice.  
 © 2004 Boston Acoustics, Inc. All rights reserved. Covered by patents issued and/or pending.

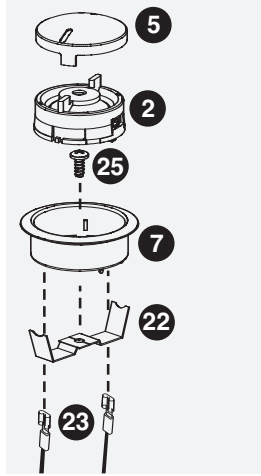
042-001841-0



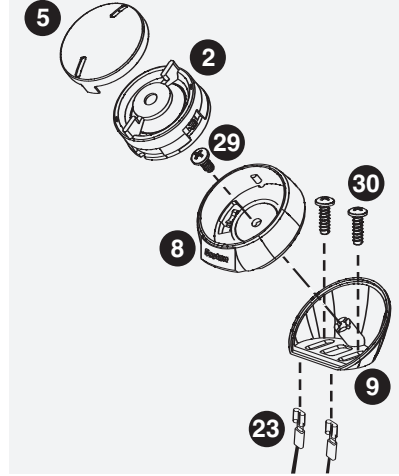
### Axis-Mount



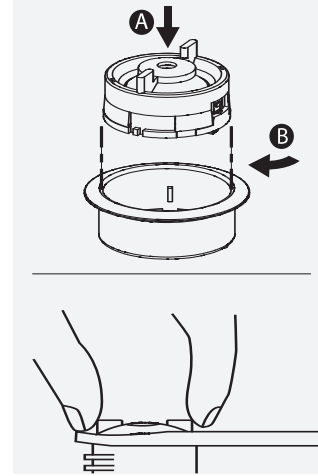
### Flush-Mount



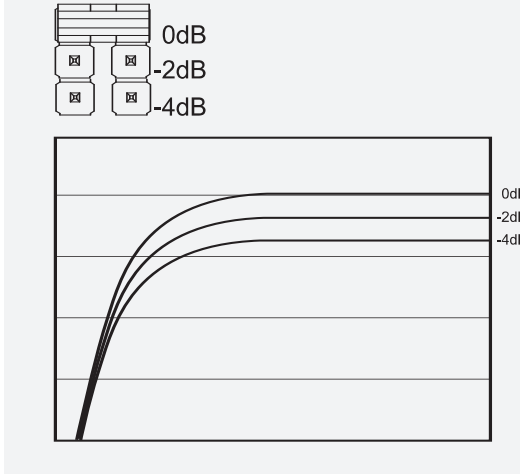
### Angle-Mount



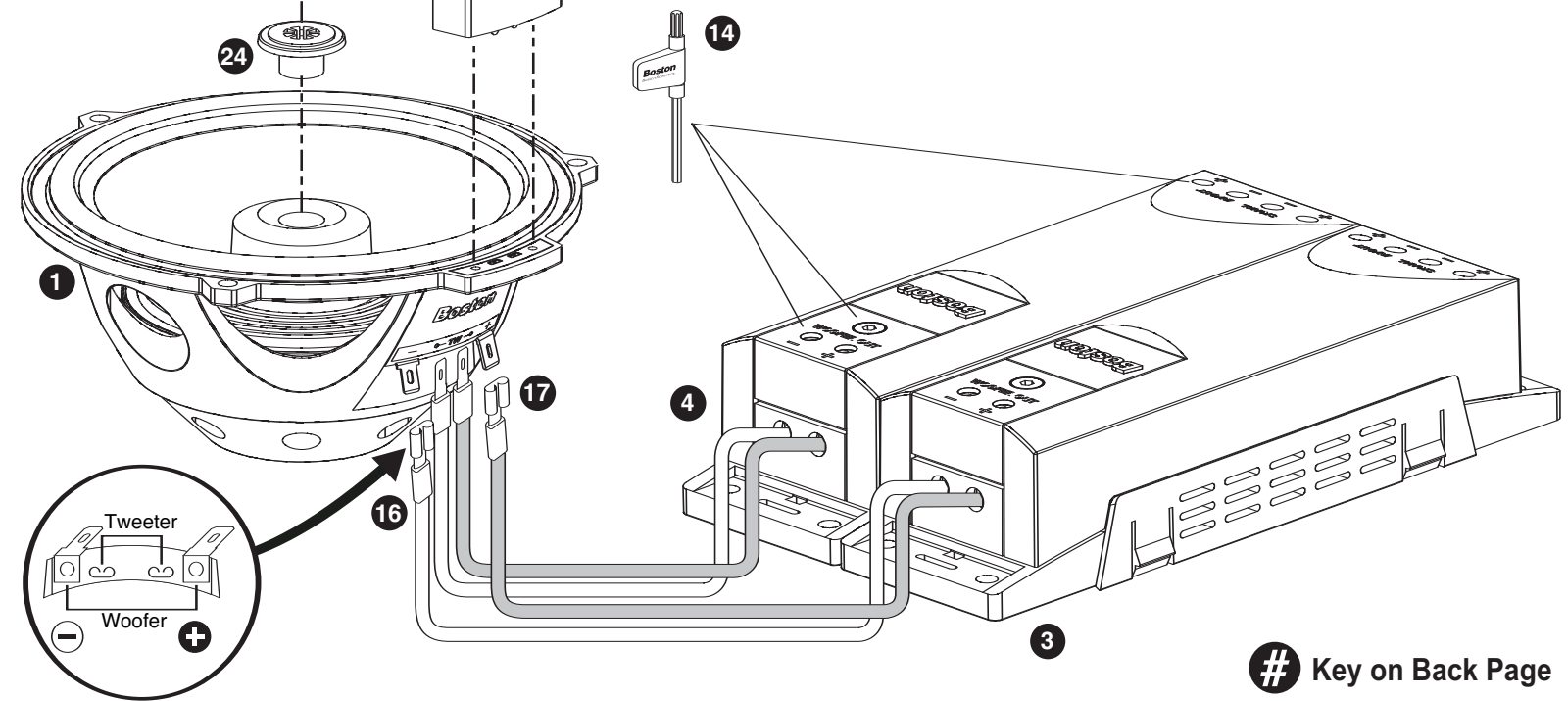
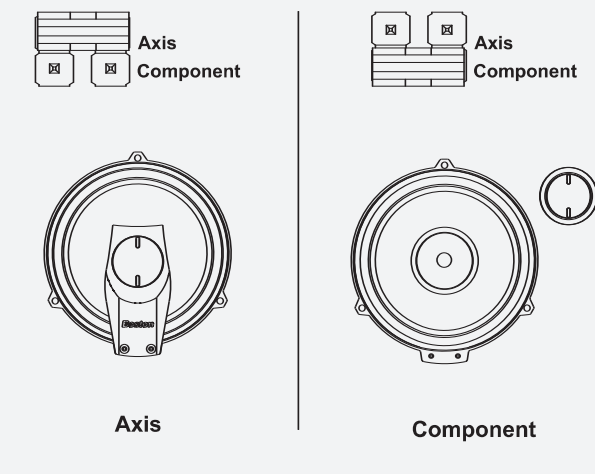
### Tweeter Installation



### Tweeter Attenuation

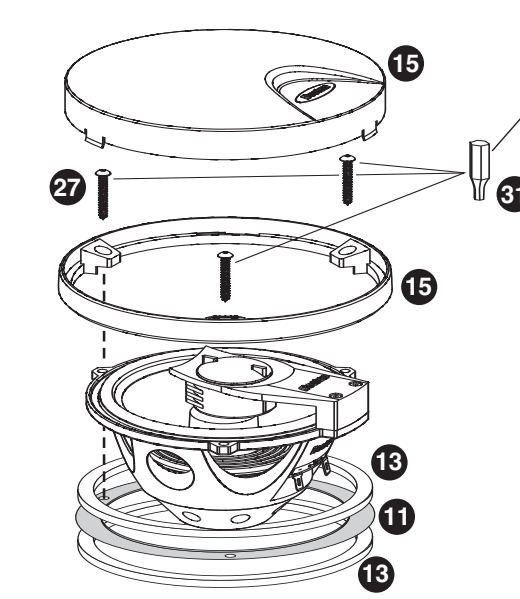


### Axis / Component Configuration

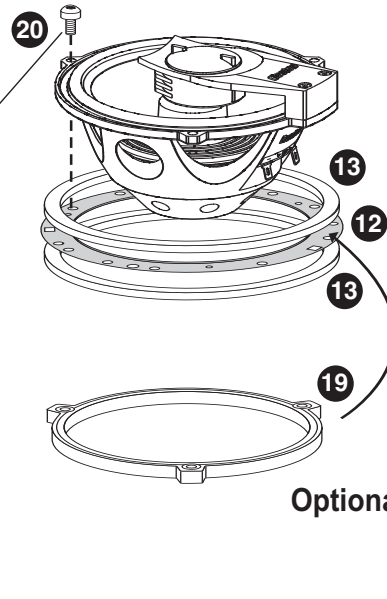


# Key on Back Page

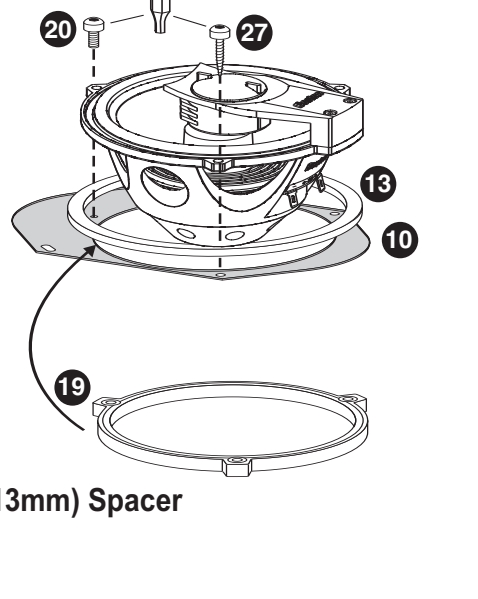
### 6-inch (160mm) Adapter



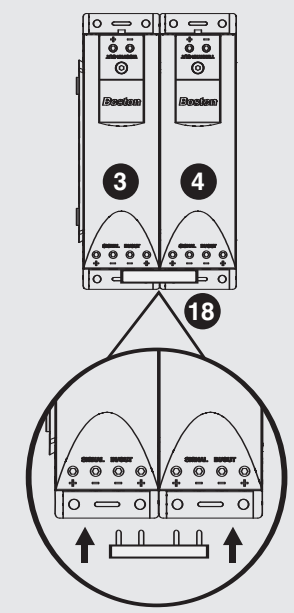
### 6½-inch (165mm) Adapter



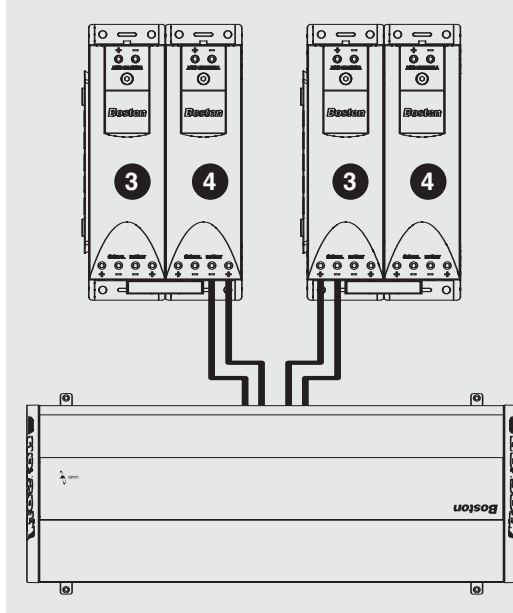
### 5 x 7-inch (127 x 177mm) Adapter



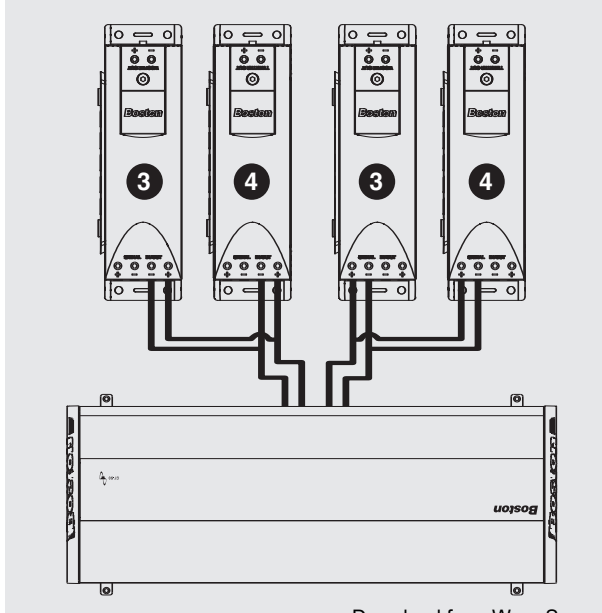
### Signal Bridge



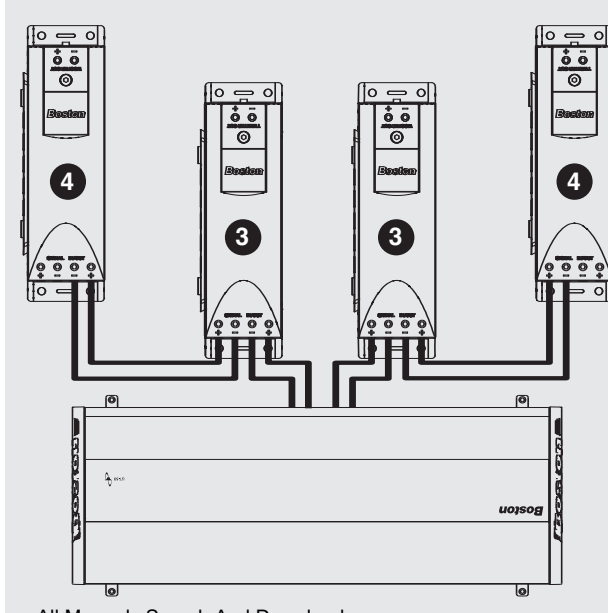
### Crossover - Single Input



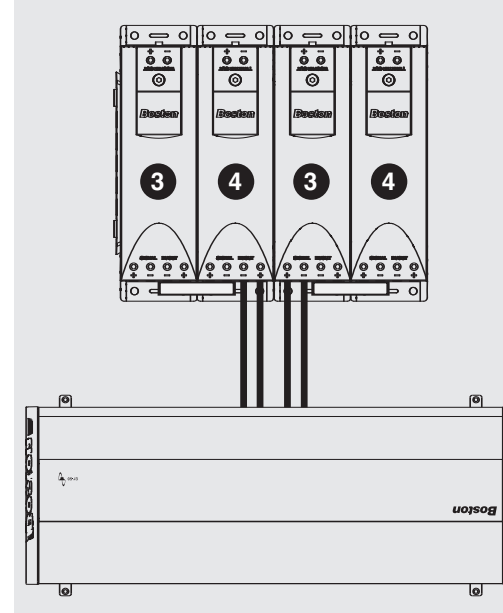
### Crossover - Bi-Wire / Bi-Amp



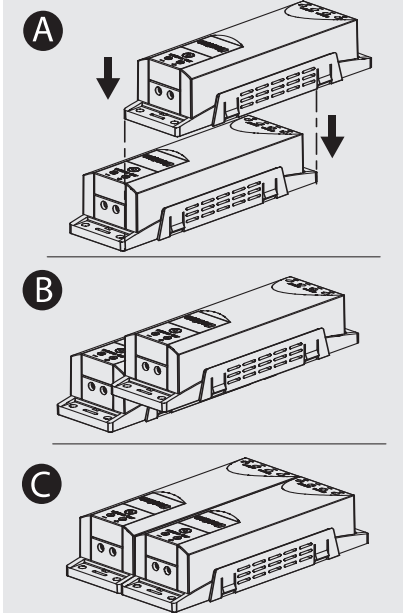
### Crossover - Daisy Chain



### Crossover - All Connected



### Crossover - Connection



## Free Manuals Download Website

<http://myh66.com>

<http://usermanuals.us>

<http://www.somanuals.com>

<http://www.4manuals.cc>

<http://www.manual-lib.com>

<http://www.404manual.com>

<http://www.luxmanual.com>

<http://aubethermostatmanual.com>

Golf course search by state

<http://golfingnear.com>

Email search by domain

<http://emailbydomain.com>

Auto manuals search

<http://auto.somanuals.com>

TV manuals search

<http://tv.somanuals.com>