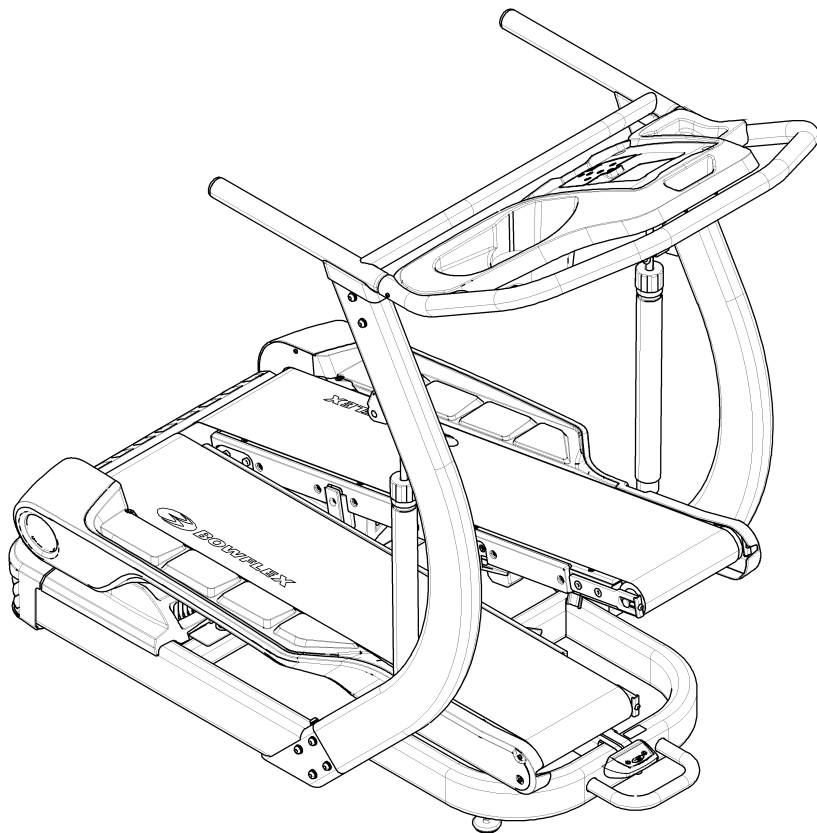




Bowflex® TreadClimber® TC5500



Owner's Manual
Manuel du Propriétaire



English

Français Canadien

Nautilus® Bowflex® Schwinn® Fitness StairMaster® Universal® Nautilus Institute®

a brand of **NAUTILUS** Inc

001-7321-112008A

Table of Contents

Specifications	2	Remote Heart Rate Monitor	14
Important Safety Instructions	3	Maintenance	16
Safety Warning Labels and Serial Numbers	5	Moving Your Machine	19
Features	7	Troubleshooting	20
How Often Should You Exercise	10	100% Satisfaction Guarantee	23
Before You Start	11	Contacts	24
Preliminary Workout	12	Manuel du Propriétaire	26

Specifications

Dimensions

Length 55" (139.7 cm)

Width 31.5" (80 cm)

Height 55.25" (140.3 cm)

Weight 218 lbs (98.9 kg)

Shipping Weight

Box #1 43 lbs (19.5 kg)

Box #2 146.8 lbs (66.6 kg)

Box #3 71.6 lbs (32.5 kg)

Capacities

Maximum Weight Capacity 300 lbs. (136 kg)

Workout Resistance Levels 12

Component Specifications

Frame Steel

Power Requirements

Operational Voltage 120V AC 60 Hz,

Operating Current 10A max

Regulatory Approvals

c-ETL-us mark. Evaluated per UL 1647 Fourth Edition, January 2008 and CAN/CSA-C22.2. 68-92.

Patent Information

This product may be covered by US and Foreign Patents and Patents Pending.

Important Safety Instructions



This icon means a potentially hazardous situation which, if not avoided, could result in death or serious injury.

Before using this equipment, obey the following warnings:



To decrease the risk of burns, electric shock, or injury to persons, read and understand the complete Owner's Manual. Failure to follow these guidelines can cause a serious or possibly fatal electrical shock or other serious injury.

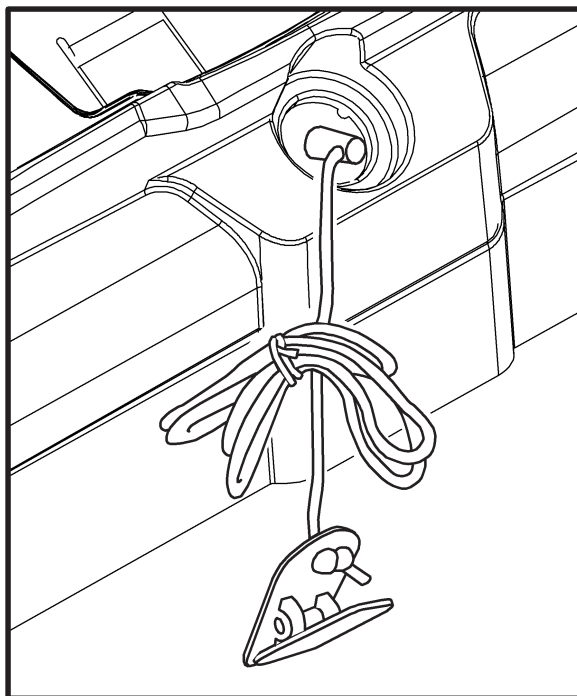
Read and understand the complete Owner's Manual. Keep Owner's Manual for future reference

Read and understand all warnings on this machine. If at any time the Warning stickers become loose, unreadable or dislodged, contact Nautilus® Customer Service for replacement stickers.

- Keep children away from this machine. Monitor them closely when near the machine. Parts that move and appear dangerous to adults can appear safe to children.
- Consult a physician before you start an exercise program. Stop exercising if you feel pain or tightness in your chest, become short of breath, or feel faint. Contact your doctor before you use the machine again. Use the values calculated or measured by the machine's computer for reference purposes only.
- Before each use, examine this machine for damage to power cord, power receptacle, loose parts or signs of wear. Do not use if found in this condition. Contact Nautilus® Customer Service for repair information.
- Maximum user weight limit: 300 lbs. (136 kg). Do not use if you are over this weight.
- This machine is for home use only.
- Do not wear loose clothing or jewelry. This machine contains moving parts.
- Always wear rubber soled athletic shoes when you use this machine. Do not use the machine with bare feet or only wearing socks.
- Set up and operate this machine on a solid, level, horizontal surface.
- Use caution when you step on and off the machine. Use the supplied foot support platforms for stability before walking on the moving belt.
- **⚠ DANGER** To reduce the risk of electrical shock, always unplug the power cord and wait 5 minutes before cleaning, maintaining or repairing this machine.
- Do not operate this machine outdoors or in moist or wet locations.
- Keep a minimum clearance behind the machine of 79" (2 m) and 39" (1 m) on each side. This is the recommended safe distance for access, movement and emergency dismounts from the machine. Keep third parties out of this space when the machine is in operation.
- Do not over exert yourself during exercise. Operate the machine in the manner described in this manual.
- Read, understand, and test the Emergency Stop Procedure before use.
- Keep the walking belt clean and dry.
- Keep power cord away from heat source and hot surfaces.
- Do not drop or put objects into any opening of the machine.
- This machine must be connected to an appropriate, dedicated electrical circuit. Nothing else must be connected to the circuit
- Always connect the power cord to a circuit capable of handling 10 amperes with no other loads applied.
- Do not operate where aerosol products are being used.
- Do not let liquids touch the electronic controller. If it does, the controller must be inspected and tested for safety by an approved technician before it can be used again.
- This machine is designed for walking. Do not try to run on this machine.

Emergency Stop Procedures

The TreadClimber® machine is equipped with a Safety Key that can prevent serious injury, as well as prevent children from playing with and/or being injured on the machine. If the Safety Key is not fully put into the Safety Keyhole, the belts will not operate.



! To prevent unsupervised operation of the machine always remove the Safety Key and disconnect the power cord from the wall outlet or machine AC input.

Always attach the Safety Key Clip to your clothing during your workout.

When you use the machine, only remove the Safety Key in an emergency. When the key is removed while the machine is in operation, it will stop quickly, which could cause the loss of balance and possible injury.

Instructional DVD

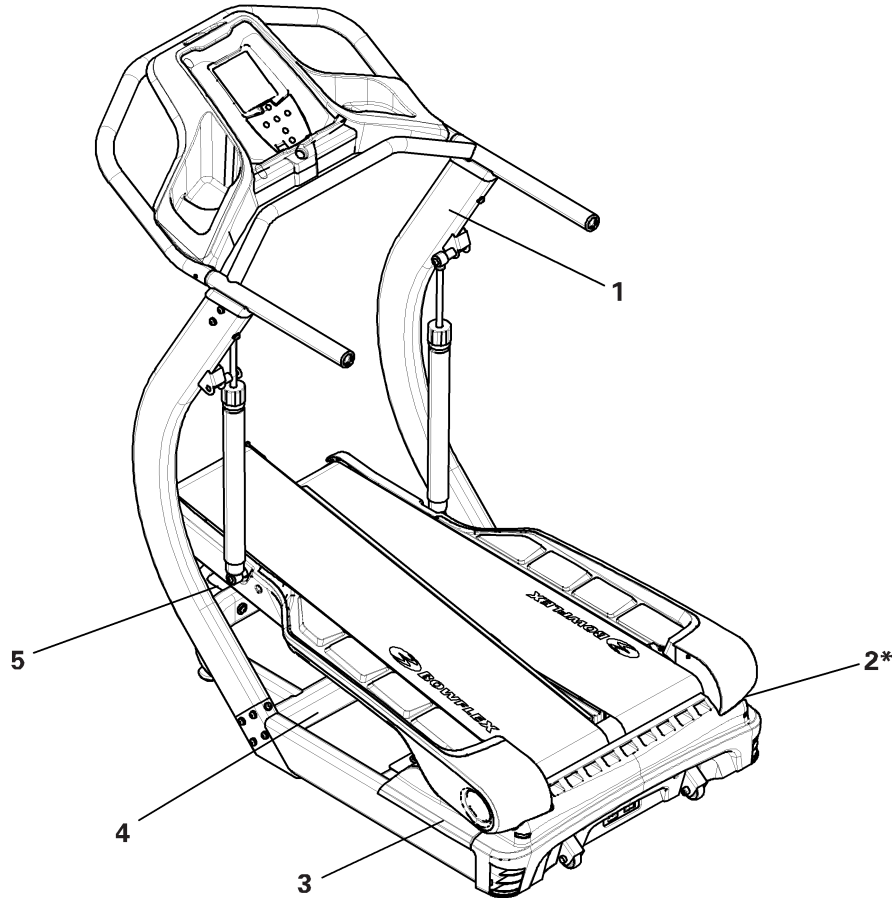
Your manual kit includes an instructional DVD that shows how to adjust the resistance cylinders and get started using your TreadClimber® machine.

Note: The information shown is for reference only and will be different from your TreadClimber® machine.

Consult the Console and the TC5500 Owner's Manuals for information specific to your machine.

Safety Warning Labels and Serial Number

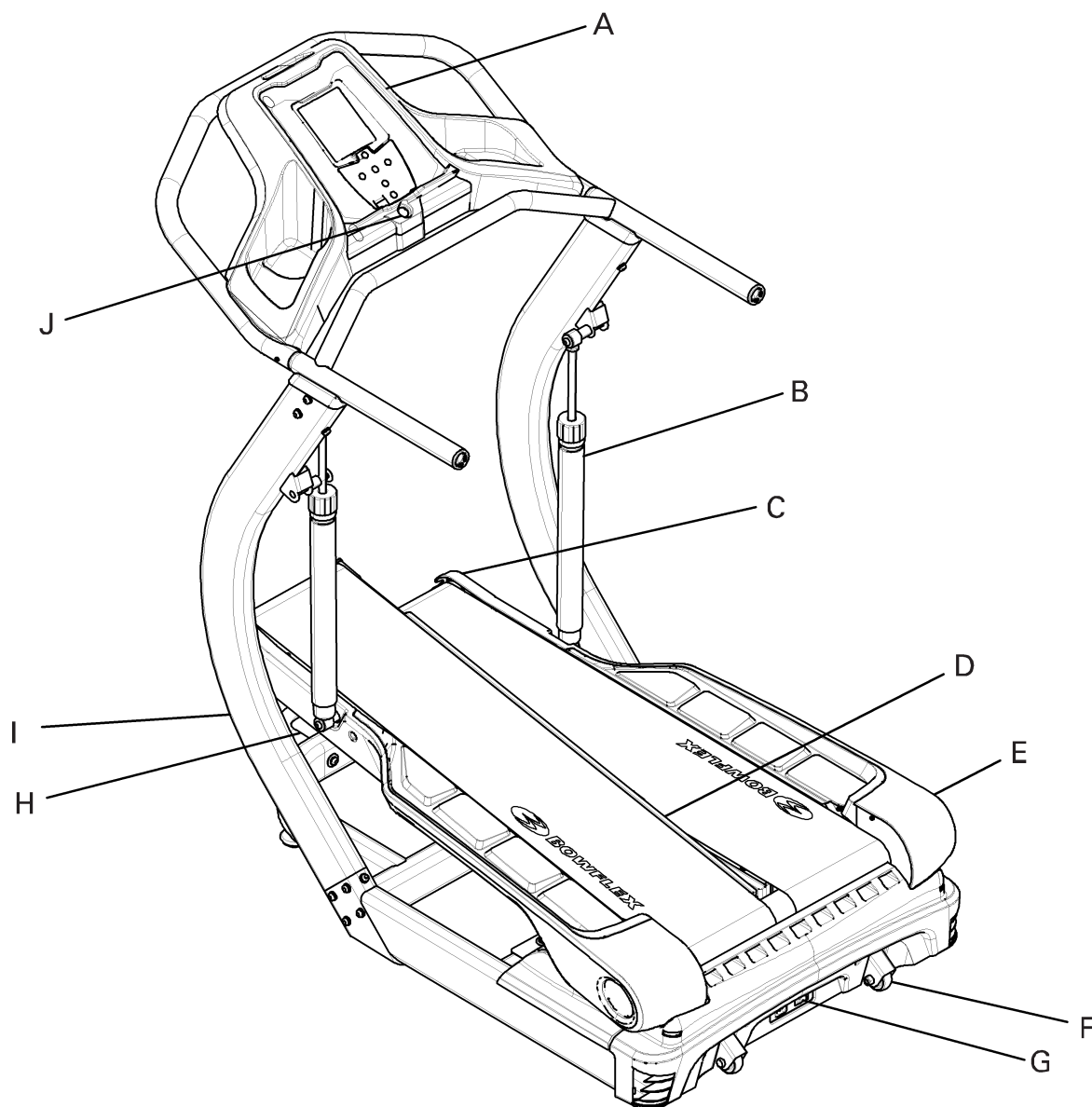
Locate and read all the safety warnings before operation. Replace any warning label if it is damaged, illegible, or missing. For replacement labels, call a Nautilus® representative (refer to the Contacts page of this manual).



	Type	Description
1	WARNING	<p>Failure to obey these safeguards can cause serious injury or health problems.</p> <ol style="list-style-type: none"> 1. Keep children and pets away from this machine at all times. 2. When this machine is not in operation, remove the Safety Key and keep out of the reach of children. 3. Use Caution when you operate this equipment or serious injury can occur. 4. Prior to use, read and understand the Owner's Manual, including all Warnings. 5. To prevent injury, stand on the Foot Platforms before you start the machine. 6. This machine is for Residential use only. 7. The Maximum user Weight for this machine is 300lbs./136kgs.

	Type	Description
		8. Replace any Warning label that becomes damaged, illegible or is removed.
	AVERTISSEMENT	<p>Le non-respect de ces mesures de protection pourrait entraîner des blessures ou de graves problèmes de santé</p> <ol style="list-style-type: none"> 1. Gardez les enfants et les animaux de compagnie éloignés de cette machine en tout temps. 2. Lorsque cette machine n'est pas utilisée, retirez le cordon de sécurité et gardez-le hors de la portée des enfants. 3. Soyez prudent lorsque vous utilisez cet équipement pour ne pas vous infliger de graves blessures. 4. Lisez et familiarisez-vous avec le Manuel du propriétaire et avec tous les avertissements avant d'utiliser cette machine. 5. Pour éviter les blessures, mettez-vous debout sur les repose-pieds avant de mettre la machine en marche. 6. Cette machine est à usage domestique uniquement. 7. Cette machine supporte un poids maximal de 300 lb (136 kg). 8. Remplacez toute étiquette d'avertissement endommagée, illisible ou manquante.
2*	WARNING	<p>Hazardous Voltage</p> <p>Contact may cause electrical shock or burn.</p> <p>Turn off and lock out power before servicing.</p>
	AVERTISSEMENT	<p>Avertissement Voltage Dangereux</p> <p>Une électrcution ou des brûlures peuvent survenir au contact.</p> <p>Coupez l'alimentation et verrouillez-la avany de procéder à un entretien.</p>
3	WARNING	<p>Moving parts can crush and cut.</p> <p>Keep guards in place.</p> <p>Lock out power before servicing.</p>
	AVERTISSEMENT	<p>Les pièces mobiles peuvent s'écraser et être coupantes.</p> <p>Gardez les protecteurs en place.</p> <p>Verrouillez l'alimentation avant de procéder à un entretien.</p>
4	Serial Number	Record serial number on Contacts page at end of this manual.
5	CAUTION	Unplug plower cord before you move the machine.
	ATTENTIÖN	Débranchez le cordon d'alimentation avant de déplacer la machine.
* decal is located under cover		

Features



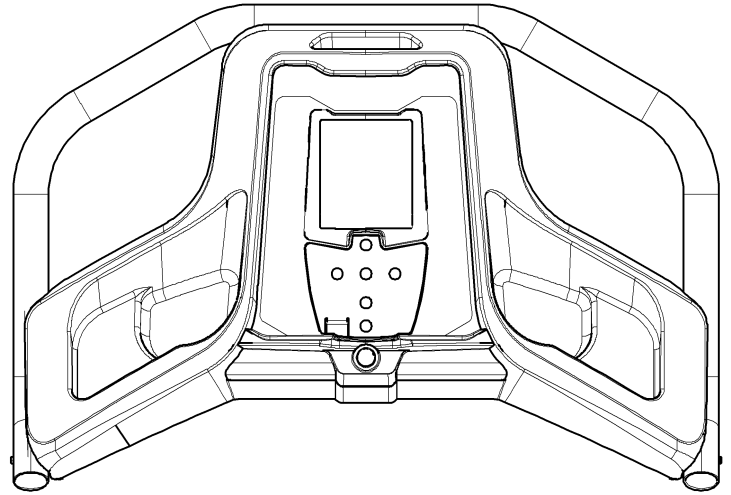
A	Console	F	Transport Wheels
B	Workout Setting Cylinders	G	Main Power Switch
C	Belt Adjustment Bolts (on front)	H	Transport Handle (on front)
D	Treadles	I	Treadle Locking Lever (on front)
E	Side Foot Support Platform	J	Safety Key Port

Console

Your Console has been created specifically to help you achieve your exercise goals. Starting with “Lady Liberty”, you will work your way up world famous landmarks.

The Console allows you to create personal profiles to record workouts, results, and even compare your goals with other users. As you achieve your goals, you earn additional landmarks to climb. There are nine landmarks programmed into the Console, six of which need to be earned.

Note: The number of steps represented to climb a landmark is based on the landmark’s height. This number has no relation to the actual physical number of steps needed to achieve the peak of the landmark.



Please read the TC5500 Console Owner’s Manual. It will take you through the steps to make your TreadClimber® machine operational.

Treadles

Each TreadClimber® Treadle is a separate treadmill with its own belt. The Treadles are driven by the same axle and motor. This makes sure that each belt travels at the same speed. The Treadles are interconnected, which gives a balanced relationship between the left and right sides during the workout.

! Keep your foot in the center of each Treadle, do not let your feet cross in front of your body as you increase the speed.

Lock the Treadles for Treadmill Workout

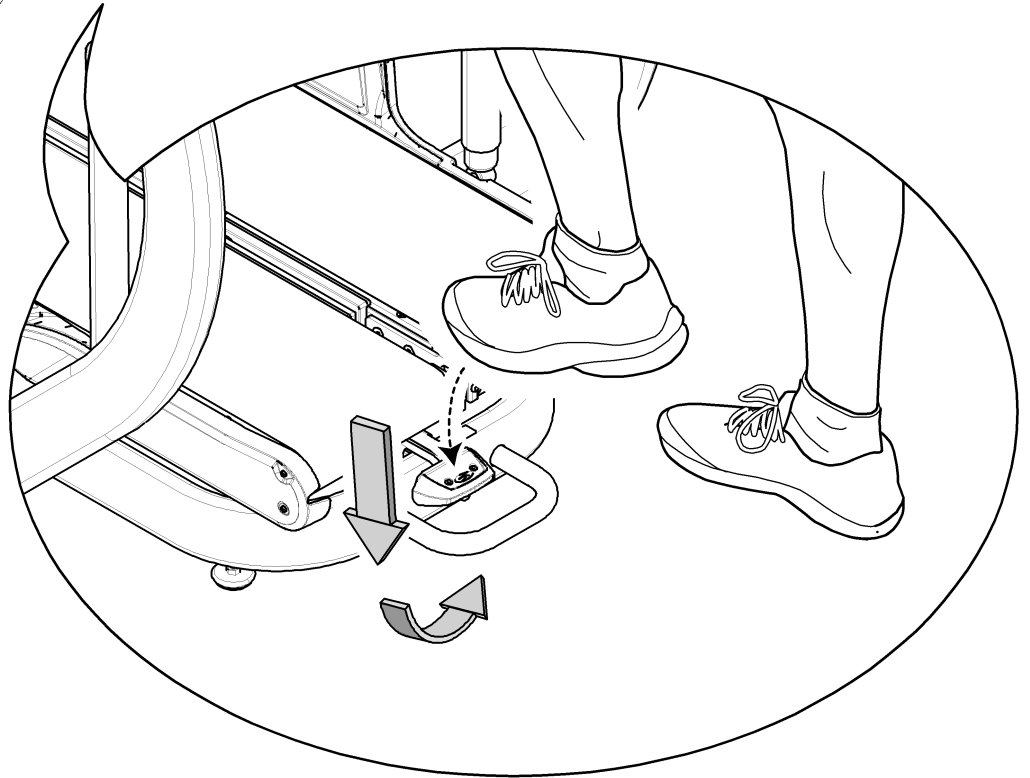
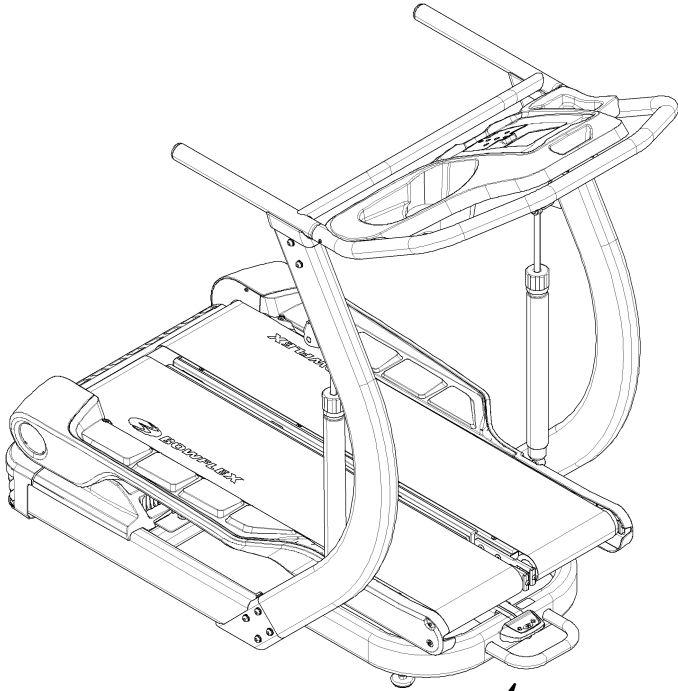
The right and left Treadles can be locked together for a treadmill workout.

! Do not change from or into treadmill mode while the belts are in movement or the machine is powered up. To change the modes, stop the power. Unplug the cord from the wall outlet, line up the Treadles, and then lock or release the Treadle Locking Lever.

The TreadClimber® machine is equipped with a Treadle Locking Lever that can be moved with your foot.

1. Turn off all power to the TreadClimber® machine and unplug the power cord from the wall outlet.
2. Move the Locking Lever down and to the right and then up into the locked position with your foot. Stand on each Treadle individually until they fall to the horizontal position. There will be a click when they lock into position.
3. Plug the power cord into the wall outlet and turn on the Main Power Switch.
4. To release the Treadles, turn off the Main Power switch and push the Lever down and to the left with your foot. The Treadles will return to the inclined position.

Applying the Treadle Locking Lever

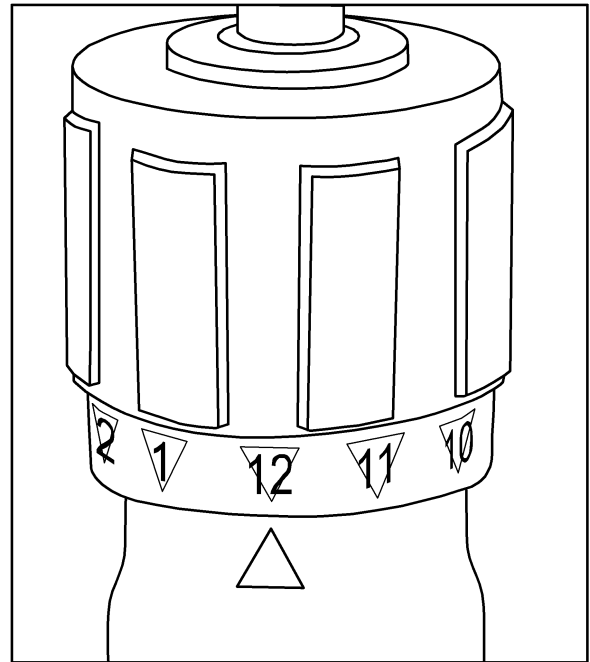


Workout Setting Cylinders

Your TreadClimber® machine uses Hydraulic Resistance Cylinders to absorb your steps and cushion your joints, decreasing your overall fatigue and removing muscle strain. The intensity of a workout can be subtly adjusted through the Workout Intensity Settings. These add a slight level of control to the resistance of the cylinders.

The Workout Intensity Settings dial is found at the top of the Hydraulic Cylinders. Use the dials to line up the setting with the white arrow. Be sure the settings match for both cylinders.

! Do not try to change the resistance level on the Resistance Cylinders during a workout. Stop the workout and step off the machine before you adjust the resistance level.



The higher the Workout Intensity Setting, the more the Treadle travels. A setting of 12 is more intense than a setting of 1. Although the Workout Intensity Settings dial can move continuously in either direction, it is recommended that you only turn the dial clockwise to setting 12 and counterclockwise to setting 1.

Note: “Bottoming out” occurs when the Treadle travels through too great a range of motion. When this occurs, the Treadles hit against the base on the down step. To reduce treadle travel, decrease the Workout Intensity Setting or increase belt speed.

How Often Should You Exercise

! Consult a physician before you start an exercise program. Stop exercising if you feel pain or tightness in your chest, become short of breath, or feel faint. Contact your doctor before you use the machine again. Use the values calculated or measured by the machine’s computer for reference purposes only.

- 3 times a week for 30 minutes each day.
- Schedule workouts in advance. Try to work out even when you do not want to.

What to Wear

Wear rubber-soled athletic shoes. You will need the appropriate clothes for exercise that allow you to move freely.

Stretching

Stretch before you start your exercise session. Warm muscles respond better to exercise.

- Achilles Tendon and Calf – With both hands against a wall, place one foot behind you. Lean in toward the wall while keeping the rear leg straight and your heel on the ground. Repeat for the other leg.

- Quadriceps – Put your left hand on a wall or table for balance. Reach your right hand behind your back and grasp your right ankle. Pull it gently toward your buttocks until you feel tension along the front of your thigh. Repeat on the other side.
- Hamstring – Stand on one leg and prop the other leg parallel to the ground on a stable cabinet or table top. Slide both hands toward the propped up ankle as far as is comfortable. Repeat on other side.

Before You Start

1. Situate your machine in the desired space of your workout area.



Place the machine on a clean, hard, level surface, free from unwanted material or other objects that may hamper your ability to move freely. A rubber mat should be used below the machine to prevent the release of static electricity and protect your flooring.

The machine can be moved by one or more persons. Make sure that your own physical strength is capable of moving the machine.

2. Decide on your workout mode (treadmill or TreadClimber® mode).

Note: Lock the Treadles if in treadmill mode.

3. Adjust the workout intensity settings on the Hydraulic Cylinders.

Note: Be sure the settings match on each cylinder.

4. If you use the Heart Rate Monitor, follow the heart rate transmitter chest strap directions.
5. Connect the power cord to the machine and into a grounded AC Wall Outlet.

Note: The machine can be equipped with an external circuit breaker.



Put the power cord alongside the machine, out of your way when you dismantle the machine. Prevent stepping on the power cord and plug.

6. Primary Power Switch.

- Power is switched on using the Primary Power Switch near the incoming power cord plug.
- Power is supplied to the motor and Console when the unit is connected and the Main Power Switch is turned on.
- Keep the power cord along the side of the machine and out of your way. Attach the power plug to prevent stepping on it. Always make sure of the location of the cord and plug before your workout.

7. Straddle the belts and stand on the Side Foot Support Platforms. Put the Safety Key into the Safety Keyhole and clip the Safety Key cord to your clothing.



Keep your hands on the support Handlebars and stay as near the front of the machine as is comfortable in order to stay in balance on the Treadles.

- To energize the Drive Belt Motor, the Safety Key must be correctly put into the Safety Keyhole.
- In the event of an emergency while the machine is in motion, pull the Safety Key. This will cut all power to the belts and will stop them quickly (brace yourself—this is an abrupt stop).
- Always attach the Safety Key clip to your clothing during workouts.
- Start your workout when the belts are up to speed.

Note: The Treadles may not be at the same resting level. Step onto the lower treadle with your first step once the belt is moving.

Your machine calculates how many calories you burn based on your weight settings you tell it. When your weight changes, be sure to update your profile in the Console. This will ensure an accurate calculation of the calories you burn during the workout.

Pausing or Stopping

1. Step off of the belts and onto the Side Foot Support Platforms on either side of the Treadles.
2. Push STOP to pause the workout. The belts will slow to a complete stop.
3. To restart your workout, push the ENTER button. To end your workout, press STOP again. The Console will display your results and record them if you are a registered user.

Note: If there is an emergency, pull out the Safety Key to shut off the power to the belts. This will abruptly stop them.

If there are no footfalls after 1 minute, the Console will request if you wish to continue. The belts will stop if there is no response after 30 seconds. The machine will shut down after 5 minutes unless the START button is pushed.



Be sure to lock the Treadles and remove the Safety Key for safe storage when not in operation.

Preliminary Workout



Consult a physician before you start an exercise program. Stop exercising if you feel pain or tightness in your chest, become short of breath, or feel faint. Contact your doctor before you use the machine again. Use the values calculated or measured by the machine's computer for reference purposes only.

First 4 Weeks

Follow these guidelines to ease yourself into a weekly exercise regimen. This weekly regimen can include combinations of treadmill and TreadClimber® modes.

Use your judgment and/or the advice of your physician or health care professional to find the intensity and level of your workouts.

Warming Up

Before you start any workout, you should prepare your body for increased activity by slowly raising your heart rate.

Starting Your Workout

Interval Training and Steady State are 2 types of workouts that you can do on your machine while in TreadClimber® mode (stepping and using the belts at the same time). You can also wish to combine Interval Training with Steady State Training to get a varied workout.

Interval Training involves adjusting your speed for specific lengths of time to raise and lower your heart rate and calorie burn. Interval training changes the intensity of your workout during one exercise session. Alternating high-intensity training with low-intensity rest periods will boost your metabolism and help you burn calories after your workout is completed.

Interval training also helps prevent the injuries frequently associated with repetitive endurance exercise, and lets you increase your training intensity without over training or burning out. To develop a personal Interval Training regimen, change your belt speed or rate of stepping from fast speeds to slower recovery speeds.

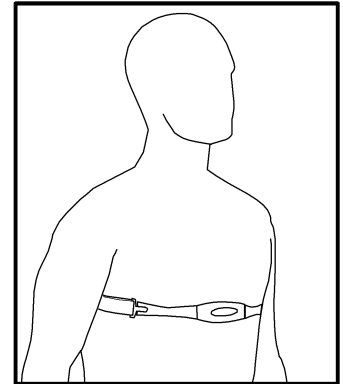
The Steady State workout involves doing one exercise at the same speed and intensity for a long period of time. While there are risks to repetitive workouts, the TreadClimber® machine is designed to cushion your joints and muscles from those stress injuries. Further, repetitive workouts can help you build your endurance, stamina and strength while you continue to hone and improve the tone and lean muscle mass in your long muscles.

	Beginner	Intermediate	Advanced
Week 1	<ul style="list-style-type: none"> • 3 X per week, do a TreadClimber® workout at stable, constant pace – 30 minutes <p>If this feels easier by the end of the week, move on to Week 2. If not, feel free to repeat the week.</p>	<ul style="list-style-type: none"> • 3 X per week, do a TreadClimber® workout at stable, constant pace for 30 minutes 	<ul style="list-style-type: none"> • 2 days interval training – 30 minutes • 1 day steady pace – 30 minutes <p>Increase the workout level adjustment during training weeks, if necessary, to maximize your TreadClimber® fitness benefits.</p>
Week 2	<ul style="list-style-type: none"> • 3 X per week, do a TreadClimber® workout at stable, constant pace – 30 minutes • If this feels easier by the end of the week, continue to Week 3. If not, feel free to repeat the week. 	<ul style="list-style-type: none"> • 2 days steady pace – 30 minutes • 1 day interval training – 30 minutes <p>Increase the workout level adjustment during training weeks, if necessary, to maximize your TreadClimber® fitness benefits.</p>	<p>Use Week 1 as a guide to help you start building your own long-term fitness routine, adjusting your interval speeds, resistance, step depth, etc., in order to maximize your TreadClimber® benefits.</p>
Week 3	<ul style="list-style-type: none"> • 2 days steady pace – 30 minutes • 1 day interval training – 30 minutes 	<p>Use Weeks 1 and 2 as a guide to help you start building your own long-term fitness routine, adjusting your interval speeds, resistance, step depth, etc., in order to maximize your TreadClimber® benefits.</p>	
Week 4	<ul style="list-style-type: none"> • 2 days interval training – 30 minutes • 1 day steady pace – 30 minutes <p>Increase the workout level adjustment during training weeks, if necessary, to maximize your TreadClimber® fitness benefits.</p>		
Week 5	<p>Use Weeks 1, 2, 3 and 4 as a guide to help you start building your own long-term fitness routine, adjusting your interval speeds, resistance, step depth, etc., in order to maximize your TreadClimber® benefit</p>		

Remote Heart Rate Monitor

Monitoring your Heart Rate is one of the best procedures to control the intensity of your exercise.

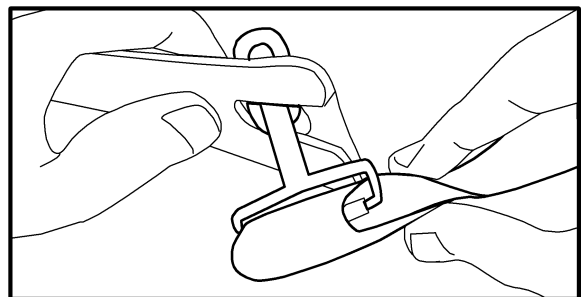
A Heart Rate Chest Strap Transmitter is included to send your Heart Rate signals to the Console. The Console displays your Heart Rate in Beats Per Minute (BPM).



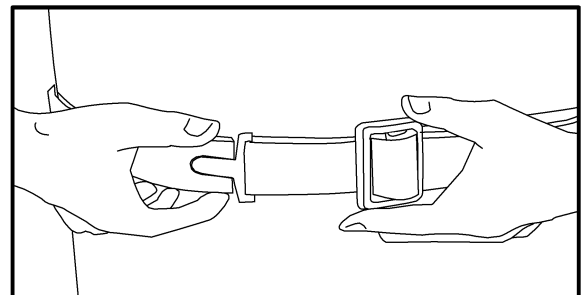
Chest Strap

Using the heart rate transmitter chest strap lets you monitor your heart rate at any time during your workout.

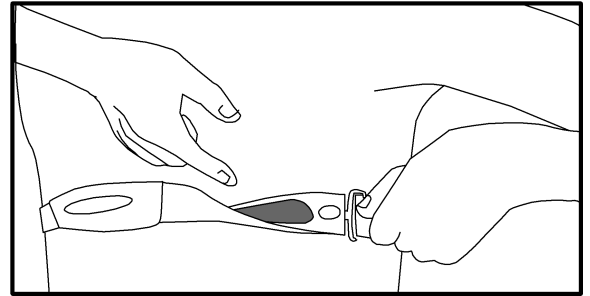
The heart rate transmitter is attached to a chest strap to keep your hands free during your workout. Attach the transmitter to the elastic chest strap.



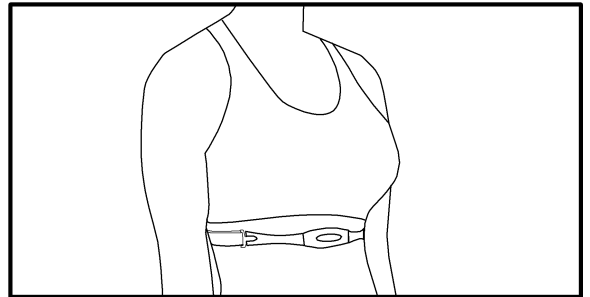
Adjust the strap length to fit snugly and comfortably against your skin. Secure the strap around your chest, just below the chest muscles, and buckle it.



Lift the transmitter off your chest and moisten the two Grooved Electrode Areas on the back.



Check that the wet electrode areas are firmly against your skin.



The transmitter will send your heart rate to the machine's receiver and display your Beats Per Minute (BPM).

Always remove the transmitter before you clean the chest strap. Clean the chest strap regularly with mild soap and water, and thoroughly dry it. Residual sweat and moisture keep the transmitter active and drain the battery in the transmitter.

Note: Do not use abrasives or chemicals such as steel wool or alcohol when you clean the chest strap, as they can damage the electrodes permanently.

If the Console displays a heart rate value of "0", then the transmitter is not sending a signal. Check that the textured contact areas on the chest strap are contacting with your skin. You may need to lightly wet the contact areas. If no signal appears or you need further assistance, call your Nautilus® Representative.

Heart Rate Calculations

Your maximum heart rate usually decreases from 220 Beats Per Minute (BPM) in childhood to approximately 160 BPM by age 60. This fall in heart rate is usually linear, decreasing by approximately one BPM for each year. There is no indication that training influences the decrease in maximum heart rate. Individuals of the same age could have different maximum heart rates. It is more accurate to find this value by getting a stress test than by using an age related formula.

Your at rest heart rate is influenced by endurance training. The typical adult has an at rest heart rate of approximately 72 BPM, where as highly trained runners may have readings of 40 BPM or lower.

The Heart Rate table is an estimate of what Heart Rate Zone (HRZ) is effective to burn fat and better your cardiovascular system. Physical conditions vary, therefore your individual HRZ could be several beats higher or lower than what is shown.

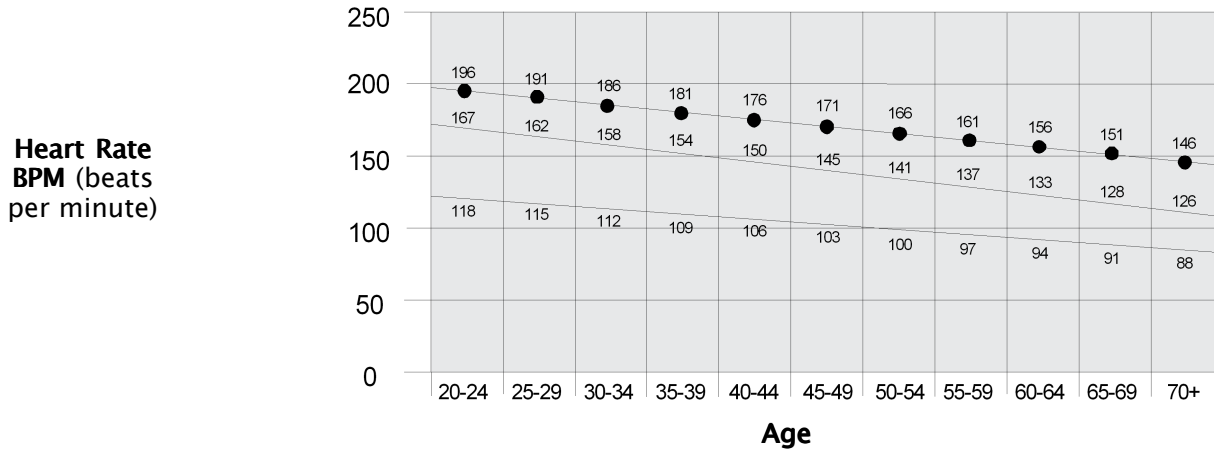
The most efficient procedure to burn fat during exercise is to start at a slow pace and gradually increase your intensity until your heart rate reaches between 60 - 85% of your maximum heart rate. Continue at that pace, keeping your heart rate in that target zone for over 20 minutes. The longer you maintain your target heart rate, the more fat your body will burn.

The graph is a brief guideline, describing the generally suggested target heart rates based on age. As noted above, your optimal target rate may be higher or lower. Consult your physician for your individual

target heart rate zone.

Note: As with all exercises and fitness regimens, always use your best judgment when you increase your exercise time or intensity.

Fat Burning Target Heart Rate



Maximum Heart Rate
Target Heart Rate Zone (keep within this range for optimum fat burning)

Maintenance

⚠ DANGER To decrease the risk of electrical shock, always unplug the power cord and wait 5 minutes before cleaning, maintaining or repairing this machine.

Read all maintenance instructions fully before you start any repair work. In some conditions, an assistant is necessary to do the necessary tasks.

Inspection

Visually inspect your machine after use for wear, damage, or loose parts.



The safety and integrity designed into a machine can only be kept when the equipment is regularly examined for damage and repaired. It is the sole responsibility of the owner to make sure that regular maintenance is done. Worn or damaged components must be replaced immediately or the equipment removed from service until the repair is made. Only manufacturer supplied components must be used to maintain/repair the equipment.

Schedule

Daily: Before each use, inspect for loose, broken, damaged, or worn parts. Do not use the machine if any of these conditions exist.

Weekly: Check for smooth roller operation. Clean the machine to remove dust, dirt, or grime. Do not use an automotive cleaner.

Monthly: Make sure all bolts and screws and tighten if necessary.

NOTICE: To prevent damage to the finish of the machine or Console, do not clean with a petroleum based solvent when you clean. Prevent getting too much moisture on the Console.

Walking Belt and Deck Lubrication

The TreadClimber® machine is equipped with a low maintenance deck and belt system. Belt friction can affect the function and life of the machine. For the best results lubricate the Treadles periodically with a silicone lubricant, using the following instructions:

1. Unplug the machine fully from the wall outlet, and remove the power cord from the machine.
2. Apply a very thin layer of silicone lubricant on the Treadle deck below each belt. Carefully lift each belt and apply a few drops of the lubricant the entire width of the belt.

NOTICE: Always use a silicone-based lubricant. Do not use a degreaser like WD-40® as this could seriously impact performance.

3. Connect the power cord back into the machine and then into the wall outlet.
4. Stay to one side of your machine.
5. Switch on your machine and start the belts at the slowest speed. Let the belts operate for approximately 15 seconds.
6. Switch off your machine.
7. Take care to clean up any excess lubricant from the Treadles. We also recommend a periodic inspection of the Treadle surfaces below the belts. If the decks appear worn, contact a TreadClimber® Representative (refer to the Contacts page of this manual).



To decrease the possibility of slipping, be sure the Treadle area is free from grease or oil. Clean off any excess oil from the machine surfaces.

Use the following timetable as a guide to lubricate the decks:

- Light user (fewer than 3 hours / week): every 3 months
- Moderate user (3–5 hours / week): every 2 months
- Heavy user (more than 5 hours / week): every month

We recommend that you use the following:

- 8300 Silicone Spray, available at most Hardware and Auto Parts stores.
- Lube-N-Walk® Treadmill Lubrication Kit, available from your local specialty fitness dealer or Nautilus, Inc.

Walking Belt Adjustment

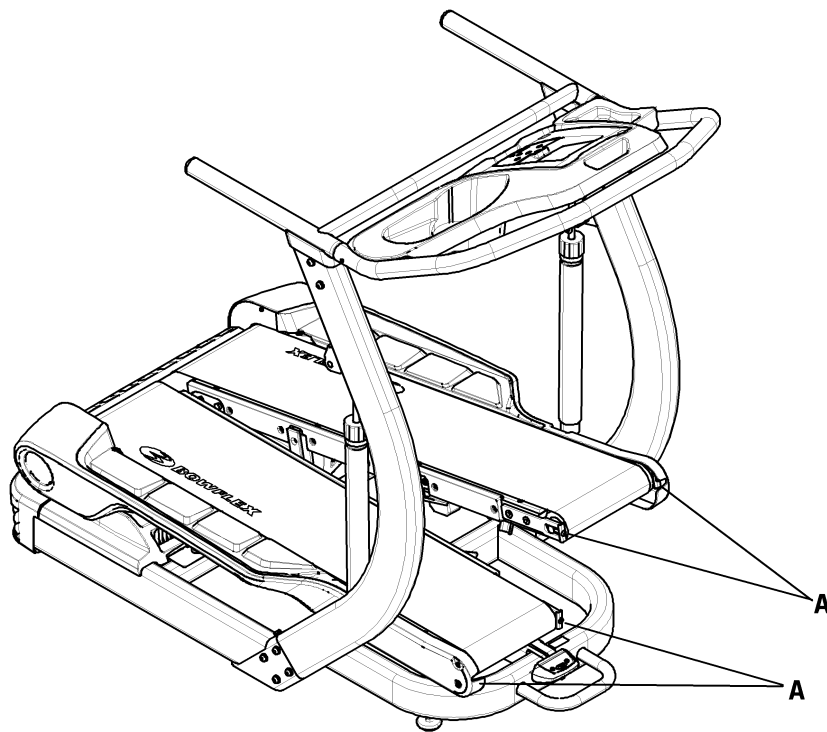
If either of the walking belts track too much to one side, adjustments can be made at the Front Roller of each Treadle.

Belt Alignment Check – Stand adjacent to the unit and set the speed to 1.5 MPH. The alignment adjustment bolts are on the front end of each Roller. If the belt is tracking too far to the right, use the provided Hex Key to turn the right adjustment bolt clockwise on that belt in full turn increments. If the belt tracks too far to the left, do the same thing on the left adjustment bolt.

Note: Do not turn the bolts counterclockwise when you adjust the belt alignment.

Belt Tension Check – Correct belt tension should only allow a finger to fit snugly below the belt's midpoint. Carefully slide a finger under the belt to test it when the machine is unplugged. If the belt is loose, turn both bolts clockwise one full turn and check tension again. Repeat this step if necessary.

Note: Bolts are turned counterclockwise to decrease belt tension.



A	Adjustment Bolts
---	------------------

Moving Your Machine

The TreadClimber® machine weighs 218 lbs (98.9 kg) when fully assembled and requires caution when being moved.

Your machine can be rolled on the transport wheels to a new location. The transport handle is found on the front of the machine below the Console Assembly. Be aware of the proximity of the Console Assembly and your head when moving the machine. Lower your machine slowly into its new location without injury to your head.



Do not use the uprights, arms, or the Console to lift or move the machine. Injury to you or damage to the machine can occur.

The machine can be moved by one or more persons. Make sure that your own physical strength is capable of moving the machine.

Place the machine on a clean, hard, level surface, free from unwanted material or other objects that may hamper your ability to move freely. A rubber mat should be used below the machine to prevent the release of static electricity and protect your flooring.



Troubleshooting

Condition/Problem	Things to Check	Solution
Unit will not power up/turn on/start	Outlet	Make sure outlet is functioning correctly. Verify this by plugging another object (ex: lamp) into the outlet. If outlet is connected to a light switch, check to make sure it is on. If outlet is not functioning find a working outlet.
	Power cord not plugged in	Make sure the power cord is firmly secured to A/C inlet on the unit and firmly inserted into a non-GFI wall socket.
	Power switch turned off	Make sure the power switch at the rear of the unit is in the "ON" position. Switch will light up red to indicate power is present.
	Safety key not plugged in	Plug Safety Key into Console (See Emergency Stop Procedure within the Important Safety Precautions section).
	Fuse on motor control board blown	Contact Customer Care for further assistance.
Speed displayed is not accurate	Display set to wrong unit of measure. (English/Metric)	Change display units (See Console Owner's Manual).
Heart rate not displayed while using chest strap	Transmitter not making good contact with skin	Moisten skin contact area on the chest strap.
	Electromagnetic interference	Turn off any television, AM radio, microwave, or computer within 6 feet (2 meters) of the TreadClimber® fitness machine.
	Chest strap transmitter	Test chest strap with another HR monitoring device such as HR watch or a machine at a gym. If transmitter has good skin contact and still is not found to be emitting HR signal, replace chest strap transmitter.
	HR receiver	If chest strap is known to work with other devices and no sources of interference are present, or console has been tested with a Pulse Simulator and is not receiving the signal, contact Customer Care for replacement HR receiver.

Condition/Problem	Things to Check	Solution
Walking belt misalignment	Rear belt guides	Belts should ride on top of triangular black belt guides at rear of treadles.
	Tracking adjustment	Belts are not required to be perfectly centered and are typically farther out in the rear than they are in the front. This may vary depending on user's stride. If belt is tracking to one side far enough to cause rubbing of belt, follow belt alignment procedure in Owner's Manual.
Hesitation or belt slipping when walking on unit	Belt tension	If belt hesitates or slips when walking on unit it may be caused by either a loose walking belt or a loose drive belt. To determine the cause perform the following test: Stand beside TreadClimber® fitness machine and set speed to 2 MPH. Step on one treadle and attempt to stop movement. If one belt stops but roller at rear and other belt continue to turn, walking belt tension should be adjusted. If both belts stop but motor is still turning, the drive belt tension should be adjusted.
	Walking belt tension	Adjust walking belt tension at the front of the unit using the provided hex wrench on the exposed adjustment bolts located on each side of each front roller. Be sure to adjust both bolts on each roller the same amount as to not disrupt belt alignment. Tighten (turn clockwise) each adjustment bolt in full turn increments. After each adjustment, restart unit and check to see if belt slippage has been eliminated. Repeat if necessary. If slipping feel persists after several adjustments, stop and refer to drive belt checklist.
	Drive belt	Unplug power from unit. Wait 5 minutes to ensure no residual power remains. Remove plastic cover under treadles to expose "v" belt drive line and motor. Tighten nut on the motor tension bolt located on front side of motor in 1/2 turn increments until drive belt slippage is eliminated – DO

		NOT OVER TIGHTEN. Replace cover when finished.
Knocking noises when unit is operating in TreadClimber® mode, but not in treadmill mode	Drive pulley and flywheel pulley	Unplug power from Unit. Wait at least 5 minutes. Remove plastic cover under treadles to expose “V” belt drive line. Using a ½” wrench, tighten the bolt that attaches the 4 ½” drive pulley to the drive shaft while holding the drive rollers still. Also, using a 5/32” hex wrench, tighten the set screw on the flywheel motor pulley. Reinstall plastic drive cover.
	Igus bushing	If knocking sound seems to be coming directly from the rear roller, check igus bushings and replace if cracked.
	Hydraulic cylinder bolts	Check and tighten both upper and lower bolts that connect the hydraulic cylinders to the unit.
Speed dependent grinding or scraping noise in all modes	Belt alignment	Check walking belt alignment. Belt contact with metal guides under Treadle can make loud grinding sound. If belts are misaligned follow belt alignment procedure in Owner’s Manual.
	Rollers or motor	Contact Customer Care for further assistance.
"Tick" sound once per revolution or scraping noise from under Treadle	Belt alignment	Belt seam may be contacting metal belt guide under treadle. Slight adjustment of belt should alleviate noise. Follow belt alignment procedure in Owner’s Manual.
Belts stop turning while in use	Safety key	Plug Safety Key into Console (See Emergency Stop Procedure within the Important Safety Precautions section).
	Motor overload	Unit may be overloaded and drawing too much current, causing unit to shut power down to protect motor. Consult belt lubrication schedule to determine if belts need lubrication, check walking belt tension, and restart unit.

100% Satisfaction Guarantee

We want you to know that your TreadClimber® machine is a superior product. Your satisfaction is guaranteed. If, for any reason, you are not 100% satisfied with your TreadClimber® machine, please follow the instructions below to return your merchandise and receive a refund of the purchase price, less shipping and handling.

This TreadClimber® Satisfaction Guarantee applies only to merchandise purchased by consumers directly from Nautilus, Inc. This guarantee does not apply to sales made by dealers or distributors.

1. Call a TreadClimber® Representative at 1-800-NAUTILUS (1-800-628-8458) for a Return Authorization Number (RMA). An RMA will be granted if:
 - a. The Bowflex® TreadClimber® exercise machine was purchased directly from Nautilus, Inc.
 - b. The request to return the product is within 6 weeks of the delivery date of your merchandise.
2. If an RMA is granted, the following instructions will prevent delays in the processing of your refund.
 - a. The merchandise must be returned to the address given to you at the time of the Return Authorization Call.
 - b. All returned merchandise must be properly packaged in good condition, preferably in the original boxes.
 - c. The exterior of the boxes should be marked clearly with:
 - Return Authorization Number
 - Your Name
 - Your Address
 - Your Phone Number
 - d. Additionally, a piece of paper with your name, address and phone number or copies of your original invoice should be placed in each box of merchandise.
 - e. **Your RMA number is time sensitive.** Your shipment must be post marked within two weeks from the date the TreadClimber® Representative issued the Return Authorization Number.

Note: *You are responsible for return shipping and for any damage or loss to merchandise that occur during return shipment. Nautilus recommends that you obtain tracking numbers and insure your shipment.*

Unauthorized Returns

Nautilus, Inc. defines an unauthorized return as any merchandise returned to our facilities without a valid and current Return Merchandise Authorization (RMA) number issued by Nautilus. Failure to properly mark packages with a valid RMA number, or allowing an RMA number to expire, will cause Nautilus, Inc. to consider a return unauthorized. Any merchandise returned without a RMA number will not be subject to a refund or credit and Nautilus will discard the product. The customer assumes all shipping and handling charges for any unauthorized return.

Contacts

NORTH AMERICA, CANADA, ASIA PACIFIC & LATIN AMERICA

TECHNICAL/CUSTOMER SERVICE

Tel: (800) 605-3369

E-mail: tcinquiry@nautilus.com

CORPORATE HEADQUARTERS

Nautilus, Inc.

World Headquarters

16400 SE Nautilus Drive

Vancouver, Washington, USA 98683

Tel: (800) NAUTILUS (800) 628-8458

EUROPE, MIDDLE EAST & AFRICA

INTERNATIONAL CUSTOMER SERVICE

Nautilus International GmbH

Albin-Köbis-Str. 4

51147 Köln

Tel: + 49 02203 2020 0

Fax: + 49 02203 2020 45 45

E-mail: technics@nautilus.com

GERMANY and AUSTRIA

Nautilus Germany/Austria GmbH

Albin-Köbis-Str. 4

51147 Köln

Tel: + 49 02203 2020 0

Fax: + 49 02203 2020 45 45

ITALY

Nautilus Italy S.r.l., Via della Mercanzia, 103

40050 Funo di Argelateo - Bologna

Tel: + 39 051 664 6201

Fax: + 39 051 664 7461

SWITZERLAND

Nautilus Switzerland SA

Rue Jean Prouvé 6

CH-1762 Givisiez

Tel: + 41 26 460 77 66

Fax: + 41 26 460 77 60

UNITED KINGDOM

Nautilus UK Ltd

4 Vincent Avenue

Crownhill, Milton Keynes, Bucks, MK8 0AB

Tel: + 44 1908 267 345

Fax: + 44 1908 267 345

CHINA

Nautilus (Shanghai) Fitness Co., Ltd.

7A No. 728, Yan'an Road (West)

200050 Shanghai, China

Tel: + 86 21 523 707 00

Fax: + 86 21 523 707 09

Serial Number
Date of Purchase



Printed in China

©2009. Nautilus, Inc. All rights reserved. Nautilus, the Nautilus Logo, Universal, Bowflex, the Bowflex Logo, StairMaster, Nautilus Institute, TreadClimber and Schwinn Fitness are either registered trademarks or trademarks in the USA of Nautilus, Inc. Schwinn is a registered trademark. All other trademarks are owned by their respective companies. Nautilus, Inc., World Headquarters, 16400 SE Nautilus Drive, Vancouver, WA 98683 1-800-NAUTILUS www.nautilus.com

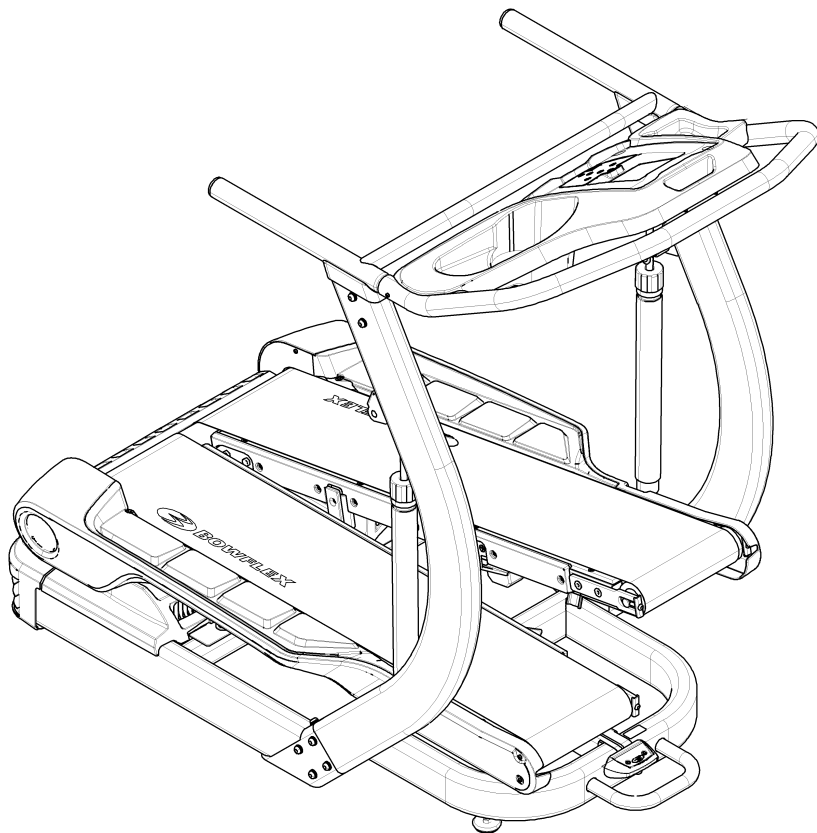
Nautilus® Bowflex® Schwinn® Fitness StairMaster® Universal® Nautilus Institute®



Bowflex® TreadClimber® TC5500



Owner's Manual
Manuel du Propriétaire



Français Canadien

Nautilus® Bowflex® Schwinn® Fitness StairMaster® Universal® Nautilus Institute®

a brand of **NAUTILUS** Inc

Table des matières

Spécifications	27	Moniteur de fréquence cardiaque distant	40
Instructions de sécurité importantes	28	Entretien	42
Étiquettes d'avertissement de sécurité et numéro de série	30	Déplacement de votre machine	45
Fonctions	32	Dépannage	46
Fréquence des entraînements	35	Satisfaction garantie à 100 %	50
Avant de commencer	36	Coordonnée	51
Entraînement préliminaire	37		

Spécifications

Dimensions

Longueur	139,7 cm (55 po)
Largeur	80 cm (31,5 po)
Hauteur	140,3 cm (55,25 po)
Poids	9,9 kg (218 lb)

Poids d'expédition

Boîte no 1	19,5 kg (43 lb)
Boîte no 2	66,6 kg (146,8 lb)
Boîte no 3	32,5 kg (71,6 lb)

Capacités

Capacité de poids maximale	136 kg (300 lb)
Niveaux de résistance à l'exercice	12

Spécifications des composants

Châssis	Acier
---------	-------

Alimentation

Tension en fonctionnement	120 V c.a. 60 Hz
Courant de fonctionnement	10 A max

Autorisations réglementaires

Marque c-ETL-us. Évalué selon UL 1647 quatrième édition, janvier 2008 et CAN/CSA-C22.2. 68-92.

Informations relatives aux brevets :

Ce produit peut être couvert par des brevets américains et étrangers et des brevets en cours.

Instructions de sécurité importantes



Cette icône indique une situation potentiellement dangereuse, laquelle, si elle n'est pas évitée, peut entraîner la mort ou des blessures graves.

Avant d'utiliser cet équipement, veuillez vous conformer aux avertissements suivants :



Afin de réduire les risques de brûlures, d'électrocution ou de blessures corporelles, lisez et assimilez dans son intégralité le Guide du propriétaire. Le non-respect de ces directives peut entraîner une électrocution sérieuse ou mortelle ou d'autres blessures graves.

Lisez et assimilez le Guide du propriétaire dans son intégralité. Conservez le Guide du propriétaire pour référence future.

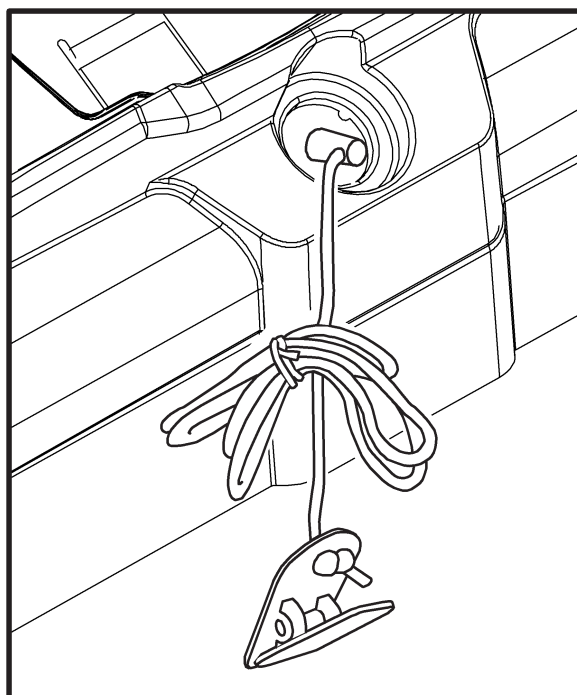
Lisez et assimilez tous les avertissements apposés sur cette machine. En tout temps, si les étiquettes d'avertissement deviennent lâches, illisibles ou si elles se détachent, communiquez avec le Service clientèle de Nautilus® pour obtenir des étiquettes de remplacement.

- Gardez les enfants à distance de cette machine. Surveillez-les attentivement lorsqu'ils sont à proximité de la machine. Les pièces mobiles qui semblent dangereuses aux adultes peuvent apparaître sans danger aux enfants.
- Avant de commencer un programme d'exercices, veuillez consulter votre médecin. Arrêtez de faire de l'exercice si vous ressentez une douleur ou un serrement dans la poitrine, si vous avez le souffle court ou si vous êtes sur le point de vous évanouir. Consultez votre médecin avant de recommencer à utiliser cette machine. Utilisez les valeurs calculées ou mesurées par l'ordinateur de la machine à des fins de référence uniquement.
- Avant chaque utilisation, inspectez cette machine afin de détecter des dommages au cordon d'alimentation, à la prise d'alimentation électrique, des pièces lâches ou des signes d'usure. Dans ces conditions, ne l'utilisez pas. Communiquez avec le Service clientèle de Nautilus® pour obtenir des renseignements relatifs à la réparation.
- Poids maximum de l'utilisateur : 136 kg (300 lb). N'utilisez pas cette machine si votre poids est supérieur à cette limite.
- Cette machine est à usage domestique uniquement.
- Ne portez pas de vêtements lâches ni de bijoux. Cette machine contient des pièces mobiles.
- Portez toujours des chaussures de sport robustes dotées de semelles en caoutchouc lorsque vous utilisez cette machine. N'utilisez pas la machine si vous êtes pieds nus ou si vous portez uniquement des bas.
- Installez et utilisez cette machine sur une surface horizontale solide et de niveau.
- Soyez prudent lorsque vous montez et descendez de la machine. Utilisez les repose-pieds pour vous stabiliser avant de marcher sur la courroie qui fonctionne.
- **⚠ DANGER** Pour réduire les risques d'électrocution, débranchez toujours le cordon d'alimentation et attendez 5 minutes avant de nettoyer, de faire un entretien ou de réparer cette machine.
- Ne faites pas fonctionner cette machine à l'extérieur ou dans des lieux humides ou mouillés.
- Gardez un espace derrière la machine d'un minimum de 2 m (79 po) et de 1 m (39 po) de chaque côté. Il s'agit de l'espace sécuritaire recommandé nécessaire autour de chaque machine pour permettre le passage et la descente d'urgence. Maintenez les spectateurs à l'extérieur de cet espace lorsque la machine est en marche.
- Ne faites pas un entraînement trop intensif lorsque vous faites de l'exercice. Utilisez la machine de la manière décrite dans ce guide.
- Lisez, assimilez et testez la procédure d'arrêt d'urgence avant la première utilisation.
- La courroie du tapis doit rester propre et sèche.
- Gardez le cordon d'alimentation loin des sources de chaleurs et des surfaces chaudes.

- N'échappez pas ou n'insérez pas d'objets dans les ouvertures de la machine.
- Cette machine doit être branchée à un circuit électrique dédié et approprié. Aucun autre appareil ne doit être branché sur le circuit.
- Branchez toujours le cordon d'alimentation sur un circuit pouvant supporter 10 ampères avec aucune autre charge appliquée.
- Ne pas faire fonctionner la machine où des produits aérosol sont utilisés.
- Ne laissez pas de liquide entrer en contact avec le contrôleur électronique. Si cela devait arriver, le contrôleur doit être inspecté et testé par un technicien approuvé pour en assurer la sécurité avant de l'utiliser à nouveau.
- Cette machine est conçue pour la marche. N'essayez pas de courir sur cette machine.

Procédures d'arrêt d'urgence

Le TreadClimber® est équipé d'une clé de sécurité qui peut prévenir des blessures graves et éviter que des enfants jouent ou se blessent sur la machine. Si la clé de sécurité n'est pas bien mise en place dans le logement prévu à cet effet, les courroies ne fonctionneront pas.



Pour éviter que la machine fonctionne sans supervision, retirez toujours la clé de sécurité et débranchez le cordon d'alimentation de la prise murale ou la prise c.a. de la machine.

Fixez toujours le cordon de sécurité à vos vêtements lorsque vous vous entraînez.

Lorsque vous utilisez la machine, retirez la clé de sécurité seulement s'il s'agit d'une urgence. Si la clé est retiré lorsque la machine est en marche, elle s'arrêtera rapidement ce qui peut entraîner un déséquilibre et des blessures éventuelles.

DVD éducatif

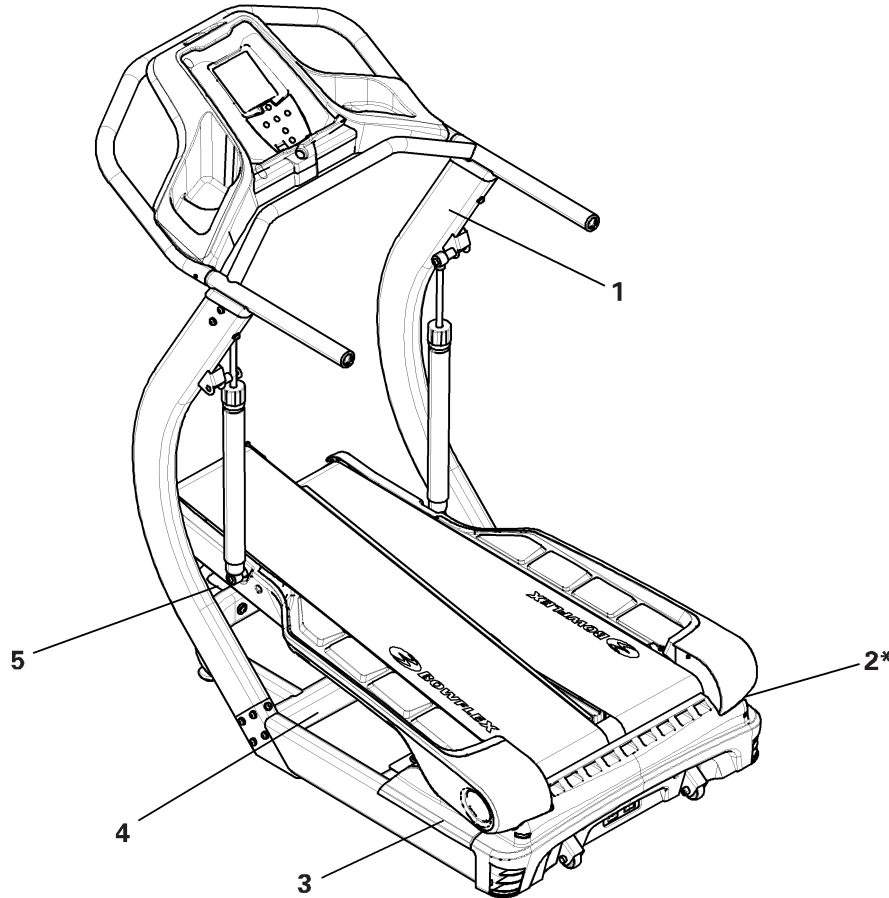
Votre ensemble comprend un manuel et un DVD éducatif qui présente la façon d'ajuster les cylindres de résistance pour que vous puissiez commencer à utiliser votre TreadClimber®.

REMARQUE : Les informations présentées sont à titre de référence seulement et seront différentes de votre machine TreadClimber®.

Consultez le Guide du propriétaire TC5500 et de la console pour obtenir des informations propres à votre machine.

Étiquettes d'avertissement de sécurité et numéro de série

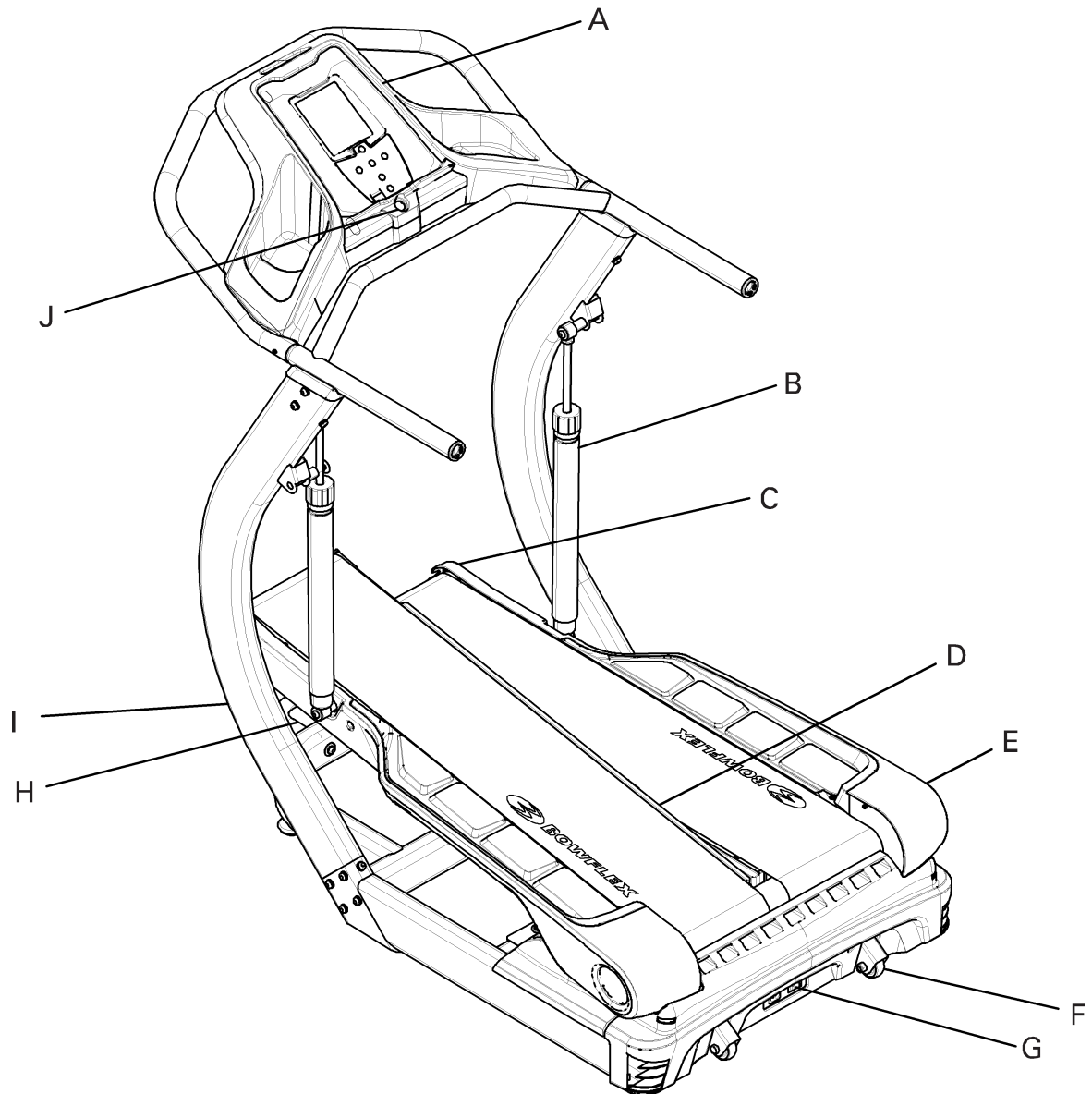
Localisez et lisez tous les avertissements de sécurité avant d'utiliser la machine. Remplacez les étiquettes d'avertissement endommagées, illisibles ou manquantes. Pour obtenir des étiquettes de remplacement, appelez un représentant Nautilus® (consultez la page des coordonnées de ce manuel).



	Type	Description
1	WARNING	<p>Failure to obey these safeguards can cause serious injury or health problems.</p> <ol style="list-style-type: none"> 1. Keep children and pets away from this machine at all times. 2. When this machine is not in operation, remove the Safety Key and keep out of the reach of children. 3. Use Caution when you operate this equipment or serious injury can occur. 4. Prior to use, read and understand the Owner's Manual, including all Warnings. 5. To prevent injury, stand on the Foot Platforms before you start the machine. 6. This machine is for Residential use only. 7. The Maximum user Weight for this machine is 300lbs./136kgs.

Type		Description
		8. Replace any Warning label that becomes damaged, illegible or is removed.
	AVERTISSEMENT	<p>Le non-respect de ces mesures de protection pourrait entraîner des blessures ou de graves problèmes de santé</p> <p>1. Gardez les enfants et les animaux de compagnie éloignés de cette machine en tout temps.</p> <p>2. Lorsque cette machine n'est pas utilisée, retirez le cordon de sécurité et gardez-le hors de la portée des enfants.</p> <p>3. Soyez prudent lorsque vous utilisez cet équipement pour ne pas vous infliger de graves blessures.</p> <p>4. Lisez et familiarisez-vous avec le Manuel du propriétaire et avec tous les avertissements avant d'utiliser cette machine.</p> <p>5. Pour éviter les blessures, mettez-vous debout sur les repose-pieds avant de mettre la machine en marche.</p> <p>6. Cette machine est à usage domestique uniquement.</p> <p>7. Cette machine supporte un poids maximal de 300 lb (136 kg).</p> <p>8. Remplacez toute étiquette d'avertissement endommagée, illisible ou manquante.</p>
2*	WARNING	<p>Hazardous Voltage</p> <p>Contact may cause electrical shock or burn.</p> <p>Turn off and lock out power before servicing.</p>
	AVERTISSEMENT	<p>Avertissement Voltage Dangereux</p> <p>Une électrcution ou des brûlures peuvent survenir au contact.</p> <p>Coupez l'alimentation et verrouillez-la avany de procéder à un entretien.</p>
3	WARNING	<p>Moving parts can crush and cut.</p> <p>Keep guards in place.</p> <p>Lock out power before servicing.</p>
	AVERTISSEMENT	<p>Les pièces mobiles peuvent s'écraser et être coupantes.</p> <p>Gardez les protecteurs en place.</p> <p>Verrouillez l'alimentation avant de procéder à un entretien.</p>
4	Serial Number	Record serial number on Contacts page at end of this manual.
5	CAUTION	Unplug plower cord before you move the machine.
	ATTENTIÒN	Débranchez le cordon d'alimentation avant de déplacer la machine.
* la décalcomanie est située sous le capot		

Composants



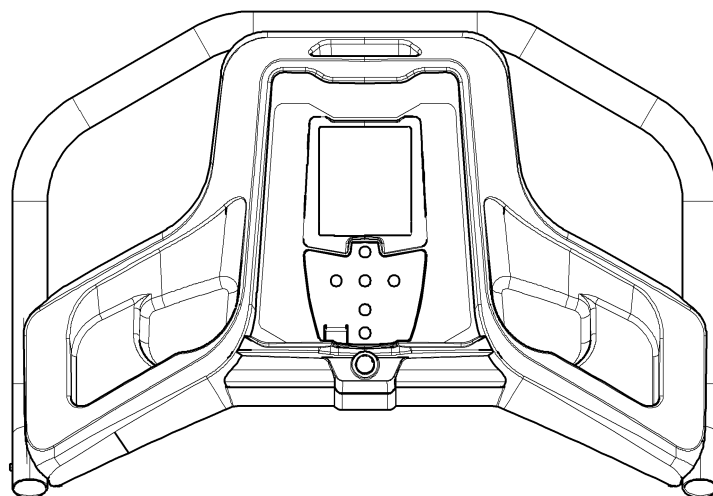
A	Console	F	Roulettes de transport
B	Cylindres de réglage de l'entraînement	G	Interrupteur d'alimentation principal
C	Boulons d'ajustement de la courroie (à l'avant)	H	Poignée de transport (à l'avant)
D	Pédales de marche	I	Levier de verrouillage des pédales de marche (à l'avant)
E	Repose-pied latéral	J	Port de la clé de sécurité

Console

Votre console a été conçue spécialement pour vous aider à atteindre vos objectifs d'entraînement. Tout comme « Lady Liberty » (statue de la Liberté), vous progresserez pour atteindre votre objectif ultime.

La console vous permet de créer des profils personnalisés pour enregistrer vos entraînements et vos résultats et même comparer vos objectifs à ceux d'autres utilisateurs. Lorsque vous atteignez vos objectifs, vous vous méritez des jalons supplémentaires pour grimper. Il y a neuf jalons programmés dans la console, dont six doivent être mérités.

REMARQUE : Le nombre de pas représenté pour grimper un jalon se base sur la hauteur du jalon. Le nombre n'a pas de relation avec le nombre physique actuel de pas nécessaires pour atteindre le haut du jalon.



Veuillez lire le Manuel du propriétaire de la console TC5500. Il présente les étapes à suivre afin de rendre votre TreadClimber® fonctionnel.

Pédales de marche

Chaque pédale de marche du TreadClimber® est un tapis roulant et dispose de sa propre courroie. Les pédales de marche sont actionnées par le même axe et le même moteur. Cela permet de s'assurer que les deux courroies roulent à la même vitesse. Les pédales de marche sont interconnectées afin qu'elles soient équilibrées sur la droite et la gauche lors de l'entraînement.

! Gardez vos pieds au centre de chaque pédale; ne laissez pas vos pieds précéder votre corps lorsque vous augmentez la vitesse.

Verrouillage des pédales de marche pour un entraînement sur tapis roulant

Les pédales de marche droite et gauche peuvent être verrouillées pour un entraînement sur tapis roulant.

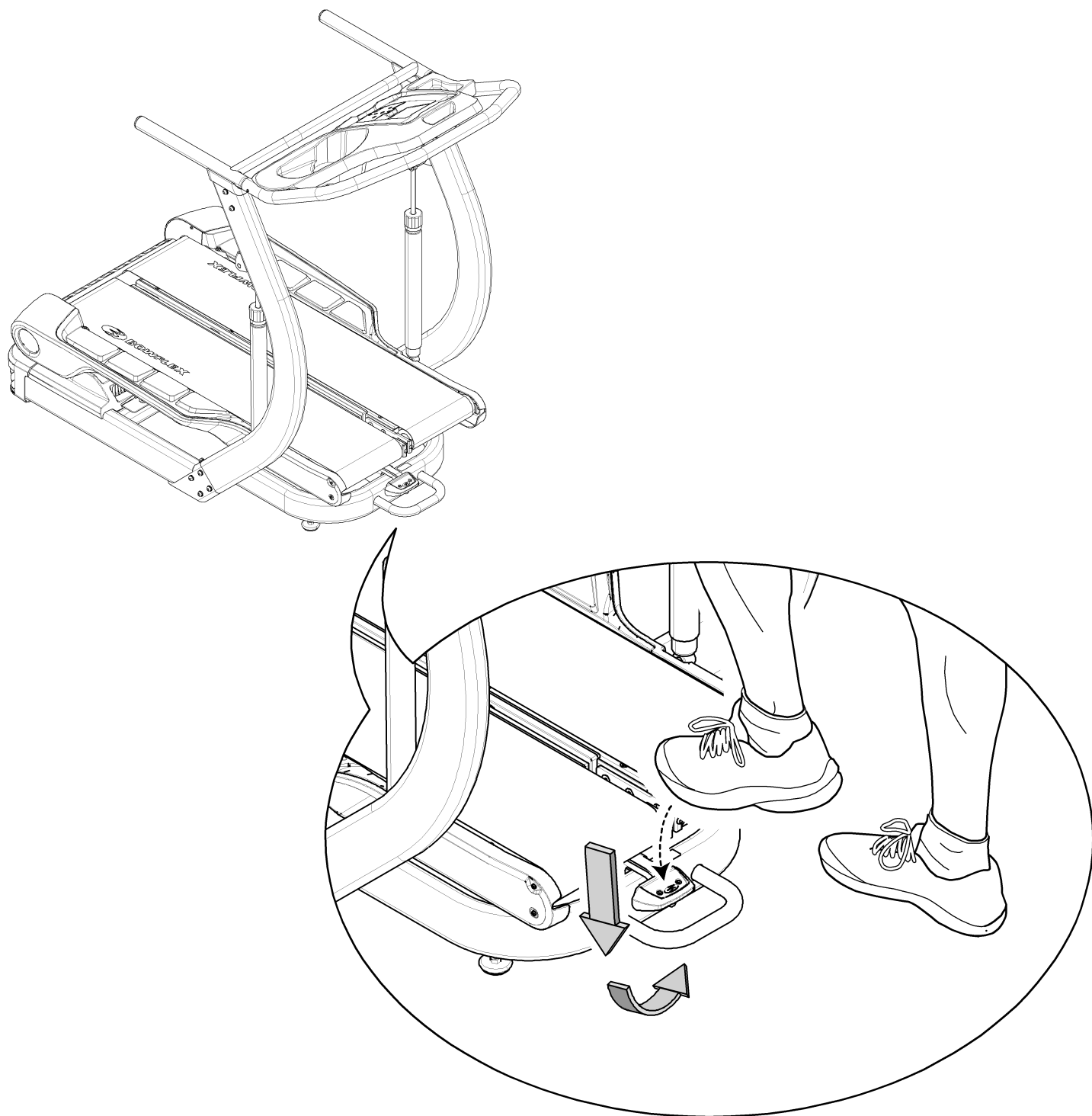
! Ne passez pas au mode tapis roulant et ne le quittez pas lorsque les courroies sont en mouvement ou que la machine est mise en marche. Pour changer de mode, coupez l'alimentation. Débranchez le cordon de la prise murale, alignez les pédales de marche et verrouillez ou déverrouillez le levier de verrouillage des pédales.

Le TreadClimber® est équipé d'un levier de verrouillage des pédales de marche qui peut être actionné avec votre pied.

1. Coupez l'alimentation du TreadClimber® et débranchez le cordon d'alimentation de la prise murale.
2. Abaissez le levier de verrouillage vers la droite et relevez-le en position verrouillé avec votre pied. Embarquez sur chacune des pédales de marche et attendez qu'elles se mettent en position horizontale. Un « clic » se fera entendre lorsqu'elles se verrouilleront en place.
3. Branchez le cordon d'alimentation dans la prise murale et mettez l'interrupteur d'alimentation principal à la position marche.

4. Pour dégager les pédales de marche, mettez l'interrupteur d'alimentation principal à la position arrêt et appuyez sur le levier vers la gauche avec votre pied. Les pédales de marche reviendront en position inclinée.

Actionnement du levier de verrouillage des pédales de marche

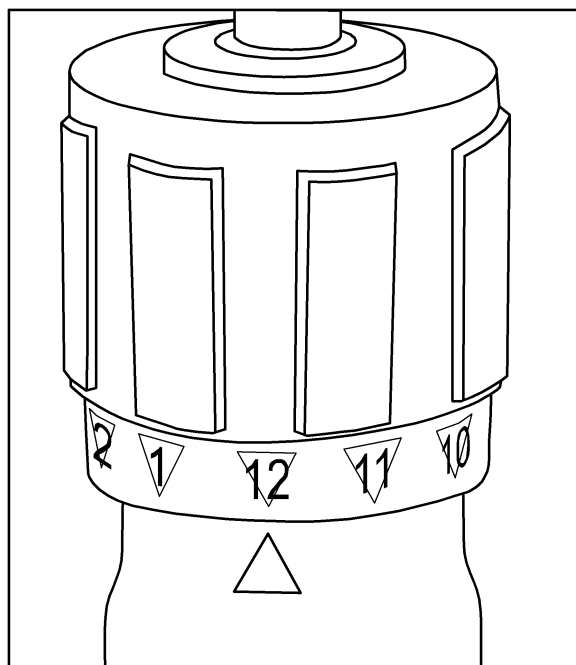


Cylindres de réglage d'entraînement

Votre TreadClimber® utilise des cylindres de résistance hydrauliques pour absorber vos pas et protéger vos articulation, ce qui réduit votre fatigue générale et élimine les claquages musculaires. L'intensité d'un entraînement peut être réglée subtilement par le réglage de l'intensité de l'entraînement. Ils ajoutent un léger niveau de contrôle sur la résistance des cylindres.

Le bouton de réglage de l'intensité de l'entraînement se retrouve sur le dessus des cylindres hydrauliques. Utilisez ces boutons pour aligner le réglage avec la flèche blanche. Assurez-vous que le réglage concorde sur chaque cylindre.

! N'essayez pas de modifier le niveau de résistance sur les cylindres de résistance pendant un entraînement. Arrêtez l'entraînement et descendez de la machine avant d'ajuster le niveau de résistance.



Plus le réglage de l'intensité de l'entraînement est élevé, plus les pédales voyagent. Un réglage de 12 est plus intense qu'un réglage de 1. Bien que le bouton de réglage de l'intensité de l'entraînement peut bouger de façon continue dans les deux sens, il est recommandé que vous tourniez le bouton dans le sens des aiguilles d'une montre vers le réglage 12, et dans le sens inverse des aiguilles d'une montre vers le réglage 1.

REMARQUE : Une « descente » survient lorsque la pédale passe par une amplitude de mouvement trop élevée. Lorsque cela survient, les pédales frappent la base lors du pas descendant. Pour réduire le déplacement de la pédale, diminuez le réglage de l'intensité de l'entraînement ou augmentez la vitesse de la courroie.

Fréquence des entraînements

! Avant de commencer un programme d'exercices, veuillez consulter votre médecin. Arrêtez de faire de l'exercice si vous ressentez une douleur ou un serrement dans la poitrine, si vous avez le souffle court ou si vous êtes sur le point de vous évanouir. Consultez votre médecin avant de recommencer à utiliser cette machine. Utilisez les valeurs calculées ou mesurées par l'ordinateur de la machine à des fins de référence uniquement.

- 3 fois par semaine pendant 30 minutes chaque fois.
- Planifiez vos séances à l'avance. Essayez de faire votre exercice, même si vous n'en avez pas envie.

Choix des souliers et des vêtements

Portez des chaussures athlétiques à semelles en caoutchouc. Portez des vêtements de sport qui vous laissent libre de vos mouvements.

Étirements musculaires

Étirez-vous avant de commencer votre séance d'exercice. Les muscles chauds répondent mieux aux

exercices que les muscles froids.

- Tendon d'Achille et mollet – Placez les deux mains contre un mur et un pied en arrière. Tout en gardant la jambe arrière droite et le talon au sol, inclinez-vous vers le mur. Répétez pour l'autre jambe.
- Quadriceps – Appuyez-vous de la main gauche sur un mur ou une table pour garder l'équilibre. De votre main droite, allez chercher la cheville droite derrière votre dos, et tirez-la délicatement vers le fessier, jusqu'à ce que vous sentiez une tension le long de l'avant de la cuisse. Répétez pour l'autre jambe.
- Ischiojambiers – Debout sur une jambe, étirez l'autre jambe à la parallèle du sol en l'appuyant sur une table ou un autre meuble. Faites glisser vos deux mains aussi loin que possible en direction de la cheville en appui. Répétez pour l'autre jambe.

Avant de commencer

1. Placez votre machine à l'endroit désirée de votre zone d'entraînement.



Placez la machine sur une surface propre, dure et plane et exempte de matériel superflu ou de tout autre objet qui pourrait vous gêner et vous empêcher de bouger librement. Un tapis de caoutchouc devrait être installé sous la machine pour éviter la formation d'électricité statique et protéger votre plancher.

La machine peut être déplacée par une ou plusieurs personnes. Assurez-vous d'avoir la force physique nécessaire pour déplacer la machine.

2. Décidez de votre mode d'entraînement (mode tapis roulant ou TreadClimber®).

REMARQUE : Verrouillez les pédales de marche en mode tapis roulant.

3. Ajustez le réglage de l'intensité de l'entraînement sur les cylindres hydrauliques.

REMARQUE : Assurez-vous que le réglage concorde sur chaque cylindre.

4. Si vous utilisez le moniteur de fréquence cardiaque, suivez les instructions de l'émetteur de fréquence cardiaque de la sangle de poitrine.

5. Branchez le cordon d'alimentation sur la machine et dans une prise murale c. a. mise à la terre.

REMARQUE : La machine peut être équipée d'un disjoncteur externe.



Déposez le cordon d'alimentation par terre le long de la machine de façon à ce qu'il ne vous gêne pas lorsque vous descendez de la machine. Éviter de marcher sur le cordon d'alimentation et sur la fiche.

6. Interrupteur d'alimentation principal

- L'alimentation est établie par l'interrupteur d'alimentation principal situé près de l'entrée du cordon d'alimentation.
- L'alimentation est acheminée au moteur et à la console lorsque l'unité est branchée et que l'interrupteur d'alimentation principal est à la position « marche ».
- Gardez le cordon d'alimentation le long de la machine de façon à ce qu'il ne vous gêne pas. Branchez la prise afin d'éviter de marcher dessus. Vérifiez l'emplacement du cordon d'alimentation et de la prise avant de vous entraîner.

7. Enjambez les courroies et tenez-vous debout sur les repose-pieds latéraux. Insérez la clé de sécurité dans le logement prévu à cet effet et fixez le cordon de sécurité à vos vêtements.



Gardez vos mains sur le support du guidon et restez aussi près que possible de l'avant de la machine tout en étant confortable afin de conserver votre équilibre sur les pédales de marche.

- Pour activer le moteur par courroie d'entraînement, la clé de sécurité doit être bien mise en place dans le logement prévu à cet effet.
- En cas d'urgence lorsque la machine est en marche, tirez sur la clé de sécurité (ou sur le cordon). Cela coupera l'alimentation vers les courroies et les arrêtera rapidement (préparez-vous; il s'agit d'un arrêt brusque).
- Fixez toujours le cordon de sécurité à vos vêtements lorsque vous vous entraînez.
- Commencez votre entraînement lorsque les courroies sont à la bonne vitesse.

REMARQUE : Les pédales de marche peuvent ne pas être au même niveau d'appui. Faites votre premier pas en embarquant sur la pédale la plus basse lorsque la courroie fonctionne.

Votre machine calcule le nombre de calories que vous brûlez selon le poids que vous avez saisi. Lorsque votre poids change, assurez-vous de mettre votre profil à jour dans la console. Cela assurera un calcul précis du nombre de calories que vous brûlez pendant un entraînement.

Pause ou arrêt

1. Descendez des courroies et allez sur les repose-pieds à côté des pédales.
2. Appuyez sur [STOP] (arrêt) pour prendre une pause de l'entraînement. Les courroies ralentiront pour s'arrêter complètement.
3. Pour reprendre votre entraînement, appuyez sur le bouton ENTER (entrée). Pour terminer votre entraînement, appuyez à nouveau sur STOP (arrêt). La console affichera vos résultats et les enregistrera si vous êtes un utilisateur enregistré.

REMARQUE : S'il y a une urgence, tirez sur la clé de sécurité pour arrêter l'alimentation des courroies. Cela les arrêtera de façon abrupte.

S'il n'y a pas de pas après 1 minute, la console vous demandera si vous voulez continuer. Les courroies s'arrêteront s'il n'y a aucune réponse après 30 secondes. La machine s'arrêtera après 5 minutes à moins que vous n'appuyez sur le bouton START (marche).



Assurez-vous de verrouiller les pédales et de retirer la clé de sécurité et de la ranger dans un lieu sécuritaire lorsque la machine ne fonctionne pas.

Entraînement préliminaire



Avant de commencer un programme d'exercices, veuillez consulter votre médecin. Arrêtez de faire de l'exercice si vous ressentez une douleur ou un serrement dans la poitrine, si vous avez le souffle court ou si vous êtes sur le point de vous évanouir. Consultez votre médecin avant de recommencer à utiliser cette machine. Utilisez les valeurs calculées ou mesurées par l'ordinateur de la machine à des fins de référence uniquement.

4 premières semaines

Suivez ces directives pour vous familiariser avec un programme d'exercices hebdomadaire. Ce programme

hebdomadaire peut comprendre des combinaisons de modes tapis roulant et TreadClimber®.

Utilisez votre jugement et/ou les conseils de votre médecin ou de votre professionnel en soins de santé pour trouver l'intensité et le niveau de vos entraînements.

Échauffement

Avant de commencer un entraînement, vous devez préparer votre corps à un accroissement de l'activité en augmentant lentement votre fréquence cardiaque.

Commencer à s'entraîner

L'entraînement par intervalles et à l'état stable sont 2 types d'entraînement que vous pouvez faire sur votre machine en mode TreadClimber® (en marchant et en utilisant les courroies en même temps). Vous pouvez aussi combiner un entraînement par intervalles à un entraînement à l'état stable pour obtenir une variété d'entraînements.

L'entraînement par intervalles implique que vous devez ajuster votre vitesse pendant une durée donnée afin d'augmenter ou de diminuer votre fréquence cardiaque et le nombre de calories brûlées. L'entraînement par intervalles modifie l'intensité de votre entraînement pendant une séance d'exercice. Vous pouvez aussi faire un entraînement à haute intensité et l'entrecouper de périodes de repos à faible intensité afin de pousser votre métabolisme et vous aider à brûler des calories une fois votre entraînement terminé.

L'entraînement par intervalles aide aussi à prévenir les blessures souvent associées à des exercices d'endurance répétitifs et vous permet d'augmenter l'intensité de votre entraînement sans trop s'entraîner ni s'épuiser. Pour développer un programme d'entraînement par intervalles, modifiez la vitesse de votre courroie ou la fréquence des pas en la faisant passer de vitesse haute à une vitesse de récupération plus lente.

L'entraînement à l'état stable implique que vous faites un exercice à la même vitesse et à la même intensité pendant une période prolongée. Bien qu'il y ait des chances que les entraînements se répètent, le TreadClimber® est conçu pour protéger vos articulations contre les blessures associées au stress. De plus, des entraînements répétitifs peuvent vous aider à accroître votre endurance, votre résistance et votre force alors que vous améliorez le ton et la masse musculaire dans vos muscles longs.

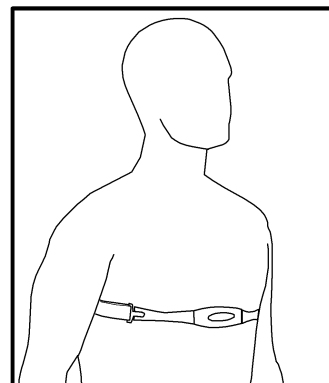
	Débutant	Intermédiaire	Avancé
Semaine 1	<ul style="list-style-type: none">• 3 X par semaine, faire un entraînement stable, à un rythme constant sur le TreadClimber® - 30 minutes Si cet entraînement est facile à la fin de la semaine, passez à la semaine 2. Sinon, recommencez l'entraînement de la semaine 1.	<ul style="list-style-type: none">• 3 X par semaine, faire un entraînement stable, à un rythme constant sur le TreadClimber® - 30 minutes	<ul style="list-style-type: none">• entraînement par intervalles pendant 2 jours - 30 minutes• 1 jour à un rythme stable - 30 minutes Au besoin, augmentez le niveau de l'entraînement pendant les semaines d'entraînement afin de maximiser les avantages sur la forme physique que votre TreadClimber® vous procure.

Semaine 2	<ul style="list-style-type: none"> • 3 X par semaine, faire un entraînement stable, à un rythme constant sur le TreadClimber® - 30 minutes • Si cet entraînement est facile à la fin de la semaine, passez à la semaine 3. Sinon, recommencez l'entraînement de la semaine 2. 	<ul style="list-style-type: none"> • 2 jours à un rythme stable - 30 minutes • entraînement par intervalles pendant 1 jour - 30 minutes <p>Au besoin, augmentez le niveau de l'entraînement pendant les semaines d'entraînement afin de maximiser les avantages sur la forme physique que votre TreadClimber® vous procure.</p>	<p>Servez-vous de la Semaine 1 comme d'un guide pour vous aider à établir votre programme d'entraînement à long terme, pour ajuster les vitesses d'intervalle, la résistance, la foulée, etc., afin de maximiser les avantages sur la forme physique que votre TreadClimber® vous procure.</p>
Semaine 3	<ul style="list-style-type: none"> • 2 jours à un rythme stable - 30 minutes • entraînement par intervalles pendant 1 jour - 30 minutes 	<p>Servez-vous des Semaine 1 et 2 comme d'un guide pour vous aider à établir votre programme d'entraînement à long terme, pour ajuster les vitesses d'intervalle, la résistance, la foulée, etc., afin de maximiser les avantages sur la forme physique que votre TreadClimber® vous procure.</p>	
Semaine 4	<ul style="list-style-type: none"> • entraînement par intervalles pendant 2 jours - 30 minutes • 1 jour à un rythme stable - 30 minutes <p>Au besoin, augmentez le niveau de l'entraînement pendant les semaines d'entraînement afin de maximiser les avantages sur la forme physique que votre TreadClimber® vous procure.</p>	<p>Servez-vous des Semaine 1, 2, 3 et 4 comme d'un guide pour vous aider à établir votre programme d'entraînement à long terme, pour ajuster les vitesses d'intervalle, la résistance, la foulée, etc., afin de maximiser les avantages sur la forme physique que votre TreadClimber® vous procure.</p>	
Semaine 5	<p>Servez-vous des Semaine 1, 2, 3 et 4 comme d'un guide pour vous aider à établir votre programme d'entraînement à long terme, pour ajuster les vitesses d'intervalle, la résistance, la foulée, etc., afin de maximiser les avantages sur la forme physique que votre TreadClimber® vous procure.</p>		

Moniteur de fréquence cardiaque distant

La surveillance de votre fréquence cardiaque est l'un des meilleurs moyens de contrôler l'intensité de votre exercice.

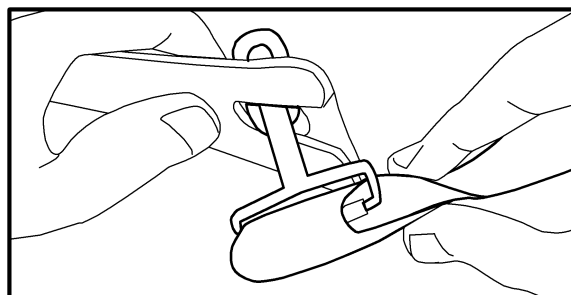
Un émetteur de fréquence cardiaque par sangle de poitrine est inclus pour vous permettre de communiquer les signaux de fréquence cardiaque à la console. La console affiche votre fréquence cardiaque en battements par minute (BPM).



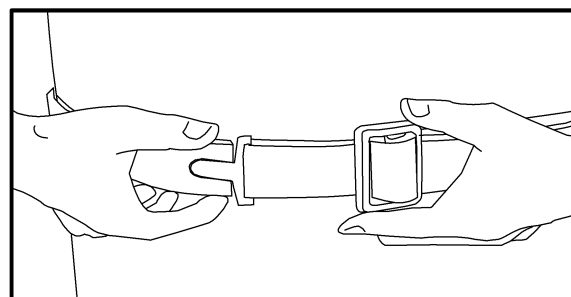
Sangle de poitrine

L'utilisation de la sangle de poitrine avec émetteur de fréquence cardiaque vous permet de surveiller votre fréquence cardiaque à tout moment au cours de l'exercice.

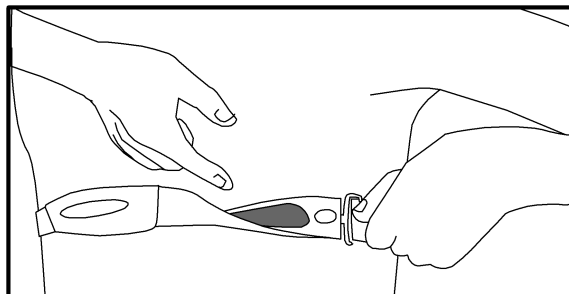
L'émetteur de fréquence cardiaque est attaché à une sangle de poitrine pour vous permettre de garder les mains libres pendant tout l'exercice. Attachez l'émetteur à la sangle de poitrine élastique.



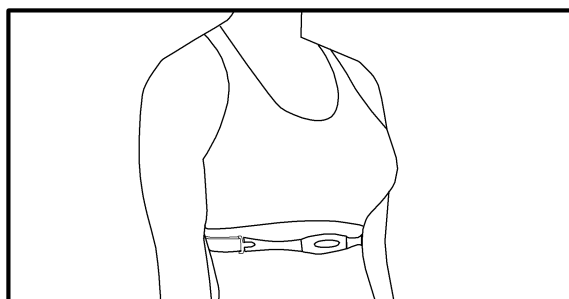
Ajustez la longueur de la sangle pour qu'elle s'ajuste parfaitement sur votre peau. Fixez la sangle autour de votre poitrine, juste sous les muscles pectoraux, et bouclez-la.



Soulevez l'émetteur de votre poitrine et humidifiez les deux zones d'électrodes rainurées à l'arrière.



Vérifiez que les zones humides des électrodes sont bien appliquées contre votre peau.



L'émetteur transmettra votre fréquence cardiaque au récepteur de la machine, laquelle l'affichera en battements par minute (BPM).

Retirez toujours l'émetteur avant de nettoyer la sangle de poitrine. Nettoyez régulièrement la sangle de poitrine avec un savon doux et de l'eau et séchez-la soigneusement. Les résidus de transpiration ou d'humidité maintiennent l'émetteur actif et usent la batterie de l'émetteur.

REMARQUE : N'utilisez pas de détergents abrasifs ou de produits chimiques tels que la laine d'acier ou l'alcool pour nettoyer la sangle de poitrine, car ils pourraient provoquer des dommages irréparables aux électrodes.

Si la console affiche une valeur de fréquence cardiaque « 0 »; l'émetteur n'envoie pas de signal. Assurez-vous que les zones de contact texturées de la sangle de poitrine sont en contact avec votre peau. Vous devrez peut-être humidifier légèrement les zones de contact. Si aucun signal apparaît ou si vous avez besoin d'assistance, veuillez appeler un représentant Nautilus®.

Calculs de la fréquence cardiaque

Votre fréquence cardiaque maximale décline généralement, passant d'environ 220 battements par minute (BPM) pendant l'enfance à environ 160 BPM à 60 ans. Cette baisse de la fréquence cardiaque est généralement linéaire et se produit au rythme d'un battement par an environ. Il n'y a pas d'indication suggérant que l'exercice influence la diminution de la fréquence cardiaque maximale. Deux personnes du même âge peuvent avoir des fréquences cardiaques maximales très différentes. On peut déterminer cette valeur plus précisément en subissant un test de stress qu'en utilisant une formule liée à l'âge.

Votre fréquence cardiaque au repos est considérablement influencée par l'exercice d'endurance. Chez l'adulte type, la fréquence cardiaque au repos est d'environ 72 BPM, alors que chez les coureurs très entraînés, cette valeur peut être de 40 BPM, voire inférieure.

Le tableau de fréquences cardiaques est une estimation de la zone de fréquence cardiaque (ZFC) la plus efficace pour brûler les graisses et améliorer votre système cardiovasculaire. La condition physique varie selon les personnes. Par conséquent, votre zone de fréquence cardiaque peut être supérieure ou inférieure de quelques battements à l'indication de ce tableau.

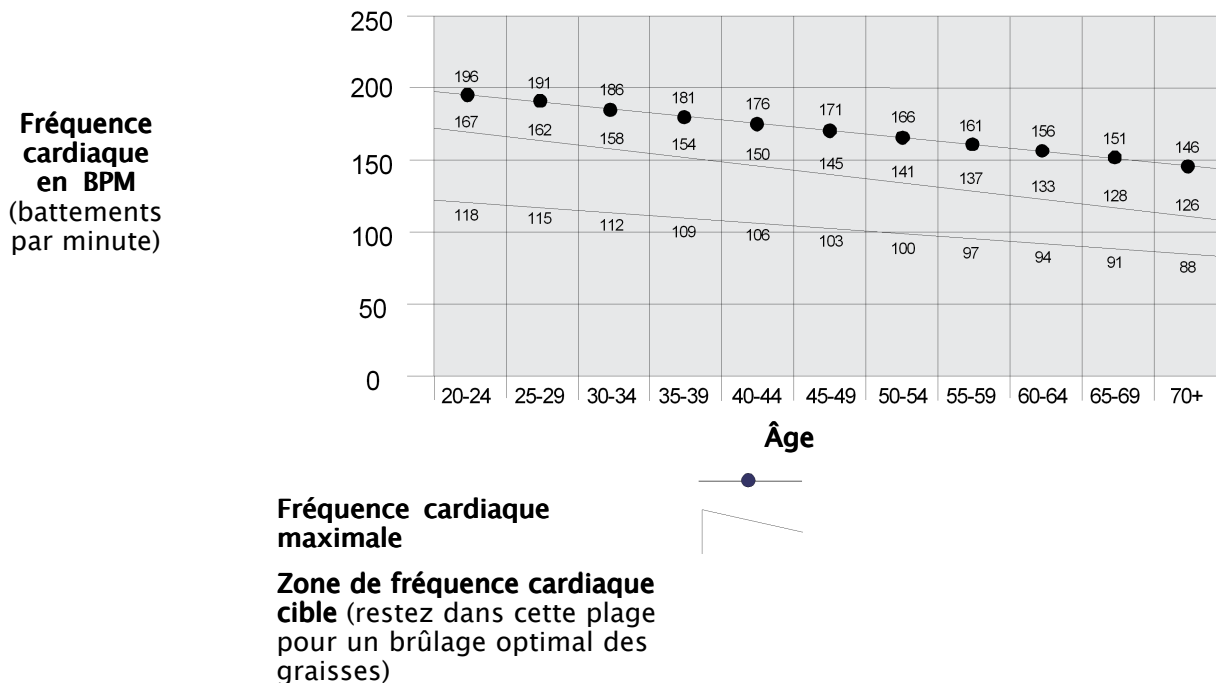
La façon la plus efficace pour brûler des graisses au cours de l'exercice consiste à commencer lentement et

à augmenter progressivement l'intensité jusqu'à ce que votre fréquence cardiaque atteigne 60 à 85 % de votre fréquence cardiaque maximale. Continuez à ce rythme, en maintenant votre fréquence cardiaque dans cette zone cible pendant plus de 20 minutes. Plus longtemps vous conservez votre fréquence cardiaque cible, plus votre organisme élimine de graisses.

Le graphique représente une brève indication, décrivant les fréquences cardiaques généralement suggérées en fonction de l'âge. Comme indiqué ci-dessus, votre fréquence cible optimale peut être légèrement supérieure ou inférieure. Consultez votre médecin pour connaître votre zone personnelle de fréquence cardiaque cible.

REMARQUE : Comme pour tous les programmes d'exercice et de condition physique, utilisez toujours votre jugement lorsque vous augmentez la durée ou l'intensité de votre exercice.

Fréquence cardiaque cible pour brûler des graisses



Entretien

⚠ DANGER Pour diminuer les risques d'électrocution, débranchez toujours le cordon d'alimentation et attendez 5 minutes avant de nettoyer, de faire un entretien ou de réparer cette machine.

Lisez attentivement toutes les instructions d'entretien avant de procéder à toute réparation. Dans certains cas, un assistant est requis pour procéder aux tâches nécessaires.

Inspection

Inspectez visuellement votre machine après utilisation en cherchant les signes d'usure, de dommages ou

de pièces mal fixées.



La sécurité et l'intégrité conçues dans une machine ne peuvent être préservées que si l'équipement est régulièrement examiné afin de détecter tout dommage et réparé. Le propriétaire est seul responsable de s'assurer qu'un entretien régulier est réalisé. Les composants usés ou endommagés seront remplacés immédiatement ou l'équipement mis hors service jusqu'à ce que la réparation soit effectuée. Seuls les composants fournis par le constructeur seront utilisés pour effectuer l'entretien/la réparation de l'équipement.

Horaire

Chaque jour : Avant chaque utilisation, inspectez la machine pour y détecter toute pièce desserrée, brisée, endommagée ou usée. N'utilisez pas la machine si l'une de ces conditions est présente.

Chaque semaine : Vérifiez le bon fonctionnement des cylindres. Nettoyez la machine pour enlever la poussière ou la saleté. N'utilisez pas de nettoyeur pour automobile.

Chaque mois : Vérifiez tous les boulons et les vis et serrez-les au besoin.

REMARQUE : Afin d'éviter d'endommager le fini de la machine ou de la console, ne les nettoyez pas avec un solvant à base de pétrole. Évitez de mettre la console en présence de trop d'humidité.

Lubrification de la courroie de marche et de la plate-forme

Le TreadClimber® est équipé d'une plate-forme et d'un système de courroie nécessitant peu d'entretien. Une friction de la courroie peut affecter le fonctionnement et la durée de vie de la machine. Pour obtenir de meilleurs résultats, lubrifiez les pédales périodiquement avec un lubrifiant siliconé en suivant les instructions suivantes :

1. Débranchez le cordon d'alimentation de la prise murale et de la machine.
2. Appliquez une mince couche de lubrifiant siliconé sur la plate-forme des pédales sous chaque courroie. Soulevez avec précaution chaque courroie et appliquez quelques gouttes de lubrifiant sur toute la largeur de la courroie.

REMARQUE : Utilisez toujours un lubrifiant à base de silicone. N'utilisez pas de dégraissant comme du WD-40® car cela pourrait avoir un impact majeur sur les performances.

3. Rebranchez le cordon d'alimentation dans la machine et dans une prise murale.
4. Restez sur le côté de votre machine.
5. Mettez la machine en marche et faites rouler les courroies à la vitesse minimale. Laissez les courroies rouler pendant environ 15 secondes.
6. Arrêtez votre machine.
7. Nettoyez tout excès de lubrifiant sur les pédales. Nous recommandons aussi une inspection périodique de la surface sous les pédales tout juste sous les courroies. Si les plates-formes semblent usées, communiquez avec un représentant TreadClimber® (consultez la page coordonnées de ce manuel).



Pour réduire les risques de glisser, assurez-vous que la surface des pédales est exempte de graisse ou d'huile. Nettoyer tout excès d'huile sur les surfaces de la machine.

Voici quelques indications quant à la fréquence des lubrifications des plates-formes :

- Utilisateur occasionnel (mois de trois heures par semaine) : aux 3 mois
- Utilisateur moyen (3 à 5 heures par semaine) : aux 2 mois
- Utilisateur fréquent (plus de 5 heures par semaine) : tous les mois

Nous vous recommandons d'utiliser :

- Vaporisateur à la silicone 8300, disponibles dans la plupart des quincailleries et magasins de pièces automobiles.
- Nécessaire de lubrification pour tapis roulant Lube-N-Walk®, disponible chez votre détaillant d'appareil de conditionnement physique ou chez Nautilus, Inc.

Ajustement de la courroie de marche

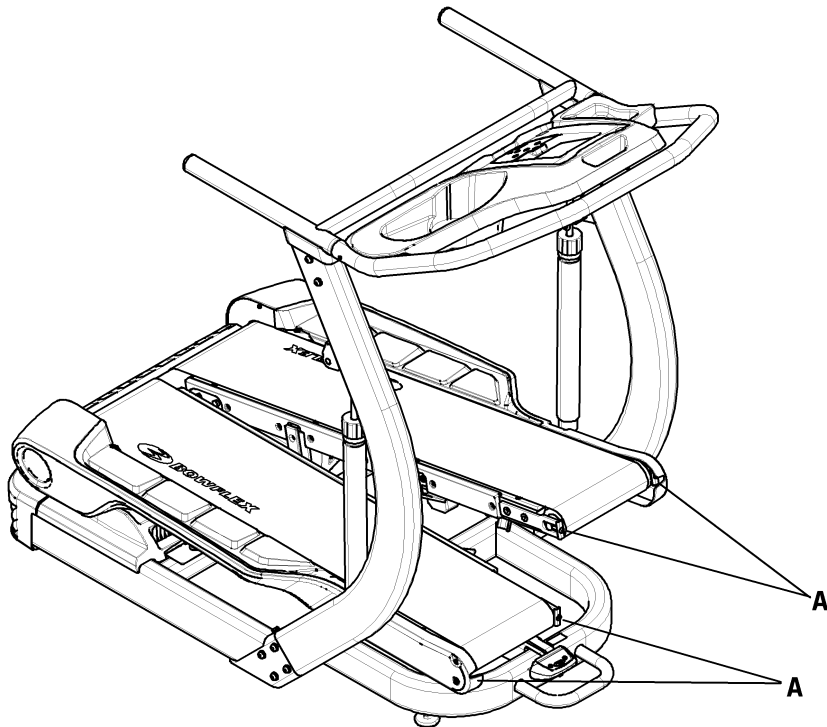
Si l'une des courroies de marche tire trop d'un côté, des ajustements peuvent être apportés au rouleau avant de chaque pédale.

Vérification de l'alignement de la courroie – Tenez-vous à côté de l'unité et réglez la vitesse à 1,5 miles/h. Les boulons d'ajustement de l'alignement sont situés sur la partie avant de chaque rouleau. Si la courroie se déplace trop vers la droite, utilisez la clé hexagonale fournie pour tourner le boulon d'ajustement droit de la courroie dans le sens des aiguilles d'une montre en incrément d'un tour complet. Si la courroie se déplace trop vers la gauche, faites la même chose sur le boulon d'ajustement gauche.

REMARQUE : Ne faites pas tourner les boulons dans le sens inverse des aiguilles d'une montre lorsque vous ajustez l'alignement des courroies.

vérification de la tension des courroies – La tension adéquate d'une courroie devrait permettre à seulement un doigt de passer de façon serrée sous le milieu de la courroie. Glissez avec précaution un doigt sous la courroie pour vérifier la tension lorsque la machine est débranchée. Si la courroie est lâche, faites faire un tour complet aux deux boulons dans le sens des aiguilles d'une montre et vérifiez à nouveau la tension. Répétez cette étape au besoin.

REMARQUE : Les boulons peuvent être tournés dans le sens inverse des aiguilles d'une montre pour diminuer la tension de la courroie.



A	Boulons d'ajustement
---	----------------------

Déplacement de votre machine

Le TreadClimber® pèse 98,9 kg (218 lb) une fois complètement monté et doit être déplacé avec prudence.

Votre machine peut être déplacée vers un nouvel emplacement sur les roues de transport. La poignée de transport se trouve à l'avant de la machine sous la console. Soyez conscient de la proximité de la console et de votre tête lors du déplacement de la machine. Abaissez lentement votre machine à son nouvel emplacement pour ne pas vous blesser à la tête.

! N'utilisez pas les montants, les bras ou la console pour soulever ou déplacer la machine. Vous pouvez vous blesser ou endommager la machine.

La machine peut être déplacée par une ou plusieurs personnes. Assurez-vous que vous avez la force physique nécessaire pour déplacer la machine.

Placez la machine sur une surface propre, dure et plane et exempte de matériel superflu ou de tout autre objet qui pourrait vous gêner et vous empêcher de bouger librement. Un tapis de caoutchouc devrait être installé sous la machine pour éviter la formation d'électricité statique et protéger votre plancher.



Dépannage

Situation/Problème	Éléments à vérifier	Solution
L'alimentation ne se rend pas à la machine/la machine ne démarre/la machine ne se met pas en marche	Prise	Assurez-vous que la prise fonctionne adéquatement. Branchez un autre appareil dans la prise (p. ex. une lampe). Si la prise est reliée à un interrupteur, assurez-vous qu'il est ouvert. Si la prise ne fonctionne pas, branchez la machine dans une prise fonctionnelle.
	Cordon d'alimentation pas branché	Assurez-vous que le cordon d'alimentation est bien branché dans une des prises c.a. de la machine et qu'il est bien branché dans une prise murale non GFI.
	Interrupteur d'alimentation fermé	Assurez-vous que l'interrupteur d'alimentation à l'arrière de la machine est à la position « ON » (marche). L'interrupteur passera au rouge pour indiquer que du courant passe.
	Clé de sécurité pas insérée	Insérez la clé de sécurité dans la console (Voir la procédure d'arrêt d'urgence à la section Instructions de sécurité importantes).
	Fusible ou panneau de contrôle du moteur grillé	Communiquez avec le Service clientèle pour assistance.
La vitesse affichée n'est pas exacte	Affichage de la mauvaise unité de mesure. (Impériale/métrique)	Modifiez les unités d'affichage (Voir le Manuel du propriétaire de la console).
Fréquence cardiaque non affichée lors de l'utilisation de la sangle thoracique	Le capteur de la sangle n'est pas correctement en contact avec la peau.	Humectez la peau dans la zone de contact avec la sangle.
	Interférences électromagnétiques	Fermez les téléviseurs, radio AM, micro-ondes ou ordinateur se trouvant dans un rayon de 2 mètres (6 pieds) du TreadClimber®.
	Émetteur de sangle de poitrine	Essayez la sangle de poitrine avec un autre dispositif de surveillance de la FC comme une montre de FC ou un appareil dans un gym. Si l'émetteur est bien en contact avec la peau et qu'il n'émet toujours pas de FC, remplacez le transmetteur de la sangle de poitrine.

Situation/Problème	Éléments à vérifier	Solution
	Récepteur de FC	Si la sangle de poitrine fonctionne avec d'autres appareils et qu'aucune source d'interférence n'est présente, ou que la console a été testée avec un simulateur de pulsations et qu'elle ne reçoit pas de signal, communiquez avec le Service clientèle pour faire remplacer le récepteur de FC.
Courroie désalignée	Guides arrière de la courroie	Les courroies doivent passer sur les guides de courroie noir triangulaires à l'arrière des pédales.
	Réglage de l'alignement	Il n'est pas nécessaire que les courroies soient parfaitement centrées; elles sont généralement plus à l'extérieur à l'arrière qu'à l'avant. Cela peut varier selon la démarche des utilisateurs. Si la courroie est suffisamment désalignée pour qu'elle s'use d'un côté, suivez la procédure d'alignement de la courroie dans le Guide du propriétaire.
Hésitation ou glissement de la courroie lors de marche	Tension de la courroie	Si la courroie hésite ou qu'elle glisse alors que vous marchez sur la machine, la courroie de marche ou la courroie d'entraînement peut être lâche. Pour en déterminer la cause, procédez au test suivant : Tenez-vous sur le côté du TreadClimber® et réglez la vitesse à 2 miles/h. Embarquez sur une pédale et essayez d'arrêter le mouvement. Si une courroie arrête mais que le rouleau à l'arrière et que l'autre courroie continuent de rouler, la tension de la courroie de marche doit être ajustée. Si les deux courroies arrêtent et que le moteur roule toujours, la tension de la courroie d'entraînement doit être ajustée.
	Tension de la courroie de marche	Ajustez la tension de la courroie de marche à l'avant de l'unité en tournant les boulons d'ajustement exposés situés de chaque côté de chaque rouleau avant avec la clé hexagonale fournie. Assurez-vous d'ajuster de façon égale les deux boulons de chaque rouleau afin de ne pas désaligner la courroie. Serrez (dans le sens des aiguilles d'une montre) chaque boulon d'ajustement en

		faisant des tours complets. Après chaque ajustement, remettez la machine en marche et vérifiez si le glissement de courroie a été éliminé. Répétez au besoin. Si la sensation de glissement persiste après plusieurs ajustements, arrêtez et consultez la liste de vérification de la courroie d'entraînement.
	Courroie d'entraînement	Coupez l'alimentation de la machine. Attendez 5 minutes pour vous assurer qu'il ne reste aucune alimentation résiduelle. Retirez le capot de plastique sous les pédales pour exposer la courroie en V et le moteur. Serrez l'écrou du boulon de tension du moteur situé sur la partie avant du moteur en incrément de 1/2 tour jusqu'à ce que le glissement de la courroie soit éliminé - NE PAS TROP SERRER. Remettez le capot une fois terminé.
Bruits de cognement lorsque la machine fonctionne en mode TreadClimber® et aucun bruit en mode tapis roulant.	Poulie d'entraînement et poulie du volant	Coupez l'alimentation de la machine. Attendez au moins 5 minutes. Retirez le capot de plastique sous les pédales pour exposer la courroie en V. À l'aide d'une clé 1/2 po, serrez le boulon qui fixe la poulie d'entraînement de 4 1/2 po à l'arbre d'entraînement tout en gardant les rouleaux d'entraînement immobiles. À l'aide d'une clé hexagonale 5/32 po, serrez la vis de réglage sur le volant de la poulie du moteur. Remettez le capot en plastique en place.
	Bague Igus	Si le bruit de cognement semble venir directement du rouleau arrière, vérifiez les bagues Igus et remplacez-les si elles sont craquées.
	Boulons du cylindre hydraulique	Vérifiez et serrez les boulons supérieurs et inférieurs qui relient les cylindres hydrauliques à l'unité.

Grincement ou bruit de raclage peu importe la vitesse dans tous les modes.	Alignement de la courroie	Vérifiez l'alignement de la courroie de marche. Si les courroies sont en contact avec les guides métalliques sous les pédales, un fort grincement peut se faire entendre. Si les courroies sont mal alignées, suivez la procédure pour l'alignement des courroies dans le Manuel du propriétaire.
	Rouleaux ou moteur	Communiquez avec le Service clientèle pour assistance.
Un « tic » se fait entendre une fois par révolution ou un bruit de raclage provient de sous les pédales	Alignement de la courroie	Le joint de la courroie entre peut-être en contact avec les guides métalliques de la courroie sous les pédales. Un léger ajustement de la courroie devrait atténuer le bruit. Suivez la procédure d'alignement de la courroie dans le Manuel du propriétaire.
Les courroies ont cessé de tourner pendant que la machine est en marche	Clé de sécurité	Insérez la clé de sécurité dans la console (Voir la Procédure d'arrêt d'urgence dans la section Instructions de sécurité importantes).
	Moteur surchargé	L'unité peut être surchargée et tirer trop de courant; l'unité coupe donc l'alimentation pour protéger le moteur. Consultez le calendrier de lubrification des courroies pour déterminer si les courroies doivent être lubrifiées, vérifiez la tension de la courroie de marche et remettez l'unité en marche.

Satisfaction garantie à 100 %

Vous devez savoir que votre TreadClimber® est un produit de qualité supérieure. Votre satisfaction est garantie. Si, pour quelque raison que ce soit, vous n'êtes pas satisfait à 100 % de votre TreadClimber®, veuillez suivre les instructions ci-dessous pour retourner votre appareil et recevoir le remboursement du prix d'achat moins les frais d'envoi et de manutention.

La Garantie de satisfaction TreadClimber® ne s'applique qu'aux marchandises achetées par les consommateurs directement auprès de Nautilus, Inc., et ne s'applique pas aux ventes effectuées par des revendeurs ou distributeurs.

1. Communiquez avec un représentant de TreadClimber® au 1-800-NAUTILUS (1-800-628-8458) pour obtenir un numéro d'autorisation de retour de marchandise (ARM). Un numéro d'ARM sera accordé si :
 - a. La machine d'exercice Bowflex® TreadClimber® a été achetée directement auprès de Nautilus, Inc.
 - b. La demande de retour du produit est présentée dans les 6 semaines suivant la date de livraison de la marchandise.
2. Si un numéro d'ARM est octroyé, le fait de suivre les instructions suivantes permettra d'éviter des délais dans le traitement de votre remboursement.
 - a. La marchandise doit être retournée à l'adresse qui vous sera donnée lors de votre appel pour obtenir une demande d'autorisation de retour.
 - b. Toute marchandise retournée doit être en bonne condition et adéquatement emballée, de préférence dans les boîtes d'origine.
 - c. Les renseignements suivants doivent apparaître clairement sur l'extérieur des boîtes :
 - Numéro d'autorisation de retour
 - Votre nom
 - Votre adresse
 - Votre numéro de téléphone
 - d. De plus, une feuille sur laquelle vos nom, adresse et numéro de téléphone seront inscrits ou une copie de votre facture originale doit être incluse dans chacune des boîtes.
 - e. **Votre numéro d'ARM est à délai de livraison critique.** Vos colis doivent porter le cachet de la poste dans les deux semaines à partir de la date qu'un représentant TreadClimber® a émis le numéro d'autorisation de retour.

REMARQUE : *Vous êtes responsable de l'expédition de retour et de tous dommages ou sinistres survenant sur la marchandise pendant l'expédition de retour. Nautilus recommande que vous obteniez un numéro de suivi et que vous assuriez vos colis expédiés.*

Retours non autorisés

Nautilus, Inc. définit un retour non autorisé comme étant toute marchandise retournée à nos installations sans numéro d'autorisation de retour de marchandise (ARM) émis par Nautilus. Nautilus, Inc. considérera le retour comme étant non autorisé si les colis ne sont pas identifiés adéquatement avec un numéro d'ARM valide ou que le numéro d'ARM est expiré. Toute marchandise retournée sans numéro d'ARM ne fera pas l'objet d'un remboursement ou d'un crédit et Nautilus rejettera le produit. Le client est responsable de tous les frais d'expédition et de manutention pour tout retour non autorisé.

Coordonnées

NORTH AMERICA, CANADA, ASIA PACIFIC & LATIN AMERICA

TECHNICAL/CUSTOMER SERVICE

Tel: (800) 605-3369

E-mail: tcinquiry@nautilus.com

CORPORATE HEADQUARTERS

Nautilus, Inc.

World Headquarters

16400 SE Nautilus Drive

Vancouver, Washington, USA 98683

Tel: (800) NAUTILUS (800) 628-8458

EUROPE, MIDDLE EAST & AFRICA

INTERNATIONAL CUSTOMER SERVICE

Nautilus International GmbH

Albin-Köbis-Str. 4

51147 Köln

Tel: + 49 02203 2020 0

Fax: + 49 02203 2020 45 45

E-mail: technics@nautilus.com

GERMANY and AUSTRIA

Nautilus Germany/Austria GmbH

Albin-Köbis-Str. 4

51147 Köln

Tel: + 49 02203 2020 0

Fax: + 49 02203 2020 45 45

ITALY

Nautilus Italy S.r.l., Via della Mercanzia, 103

40050 Funo di Argelateo - Bologna

Tel: + 39 051 664 6201

Fax: + 39 051 664 7461

SWITZERLAND

Nautilus Switzerland SA

Rue Jean Prouvé 6

CH-1762 Givisiez

Tel: + 41 26 460 77 66

Fax: + 41 26 460 77 60

UNITED KINGDOM

Nautilus UK Ltd

4 Vincent Avenue

Crownhill, Milton Keynes, Bucks, MK8 0AB

Tel: + 44 1908 267 345

Fax: + 44 1908 267 345

CHINA

Nautilus (Shanghai) Fitness Co., Ltd.

7A No. 728, Yan'an Road (West)

200050 Shanghai, China

Tel: + 86 21 523 707 00

Fax: + 86 21 523 707 09

Numéro de série
Date d'achat



Imprimé en Chine

©2009. Nautilus, Inc. Tous droits réservés. Nautilus, le logo Nautilus, le logo Universal, Bowflex, le logo Bowflex, StairMaster, Nautilus Institute, TreadClimber et Schwinn Fitness sont soit des marques déposées ou des marques commerciales de Nautilus Inc. Schwinn est une marque déposée. Toutes les autres marques de commerce mentionnées sont la propriété de leurs détenteurs respectifs. Nautilus, Inc., World Headquarters, 16400 SE Nautilus Drive, Vancouver, WA 98683 1-800-NAUTILUS www.nautilus.com

Nautilus® Bowflex® Schwinn® Fitness StairMaster® Universal® Nautilus Institute®

Free Manuals Download Website

<http://myh66.com>

<http://usermanuals.us>

<http://www.somanuals.com>

<http://www.4manuals.cc>

<http://www.manual-lib.com>

<http://www.404manual.com>

<http://www.luxmanual.com>

<http://aubethermostatmanual.com>

Golf course search by state

<http://golfingnear.com>

Email search by domain

<http://emailbydomain.com>

Auto manuals search

<http://auto.somanuals.com>

TV manuals search

<http://tv.somanuals.com>